

CUSTOMER PRINT

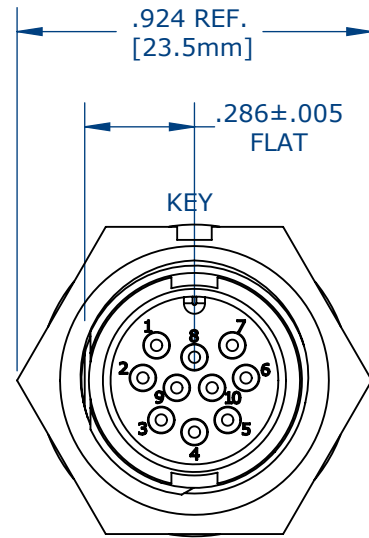
W7881-10PG-3XX

PART NUMBER:

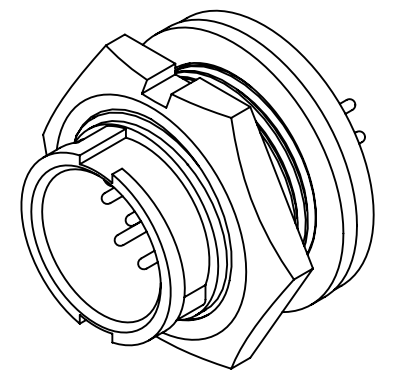
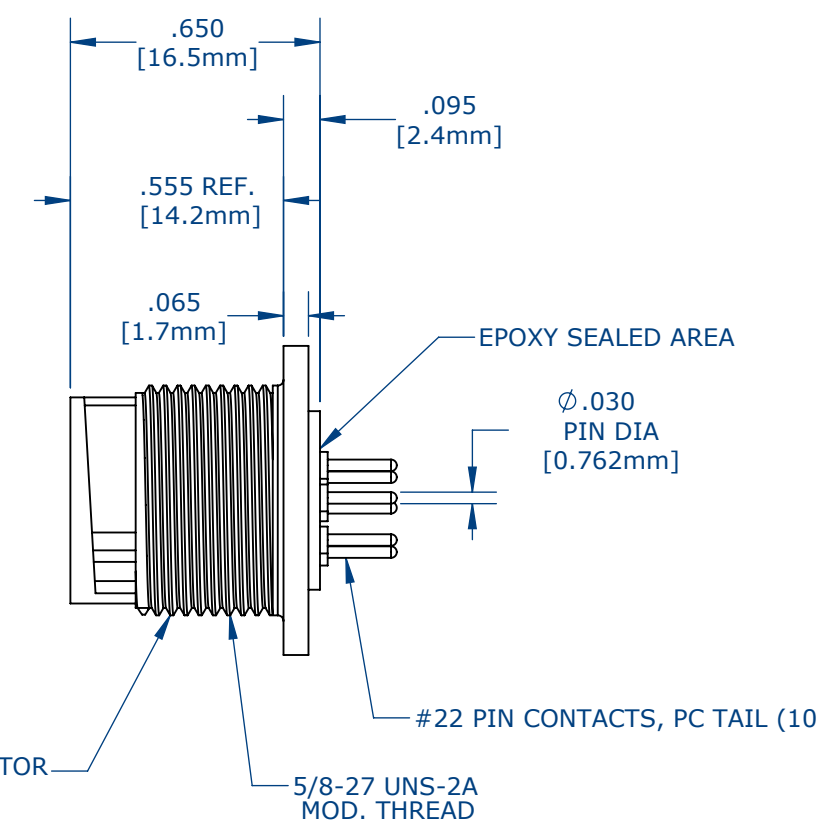
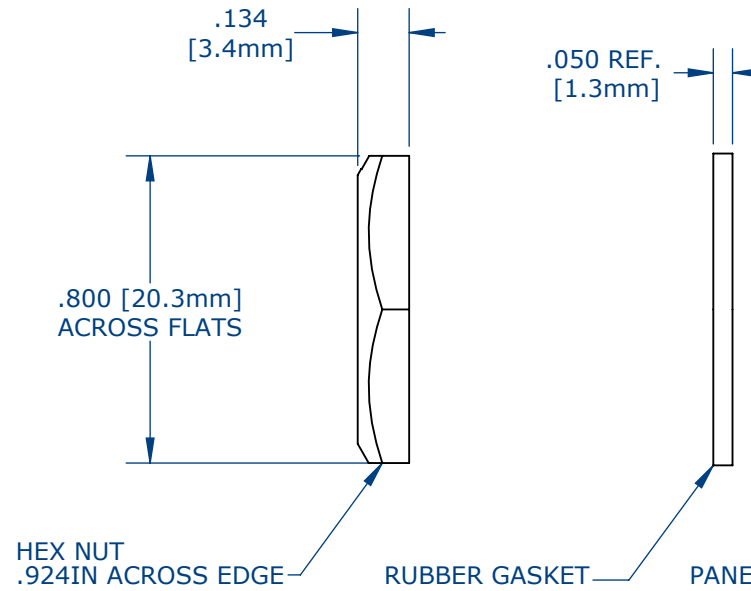
NOTES:

- 1. PC TAIL CONTACTS ARE INSTALLED INTO CONNECTOR (SHOWN)
- 2. ALL DIMENSIONS ARE FOR REFERENCE.

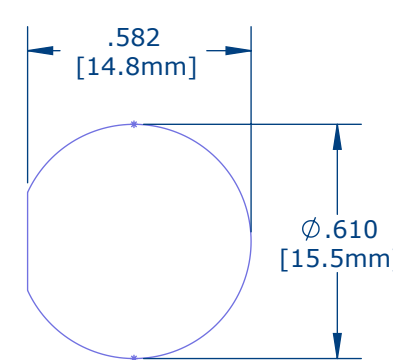
ASS'Y P/N	EPOXY
W7881-10PG-300	NO
W7881-10PG-3ES	YES



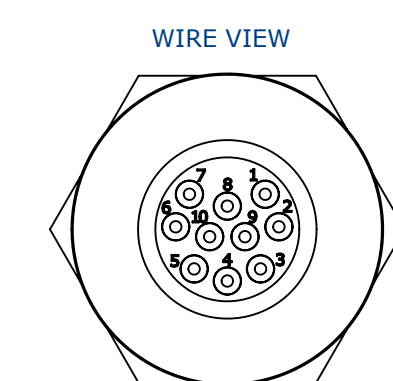
FACE VIEW  
W7881-10PG-300 SHOWN



ASSEMBLED VIEW  
FOR CUSTOMER REFERENCE



RECOMMENDED  
PANEL CUT-OUT  
TOLERANCE: ±.003



WIRE VIEW

**CUSTOMER APPROVAL**

THIS DOCUMENT CONTAINS CONFIDENTIAL INFORMATION PROPRIETARY TO CONXALL CORPORATION. ANY REPRODUCTION, DISCLOSURE, OR USE OF THIS DOCUMENT /INFORMATION IS EXPRESSLY PROHIBITED UNLESS AUTHORIZED IN WRITING BY CONXALL CORPORATION.

APPROVED BY: \_\_\_\_\_

DATE: \_\_\_\_\_

CUSTOMER DRAWING

0A	AM	04/04/16	DRAWINGS CREATED PER PDR# 13015	
REV.	INIT.	DATE	DESCRIPTION	
	AM	04/04/16	ORIG. DRAWN BY: DATE: AM 04/04/16	
ALL INFORMATION ILLUSTRATED IS THE PROPERTY OF "CONXALL CORPORATION." UNAUTHORIZED DUPLICATION OR DISTRIBUTION OF THIS DOCUMENT IS PROHIBITED.			CHECKED BY:	
ALL UNITS ARE IN FEET, INCHES, FRACTION OF INCHES AND DECIMALS.			APPROVED BY:	
UNLESS OTHERWISE SPECIFIED TOLERANCES: 3 PLACE DECIMALS ±.005 ANGLES ±1° FRACTIONS ±1/16 - CRITICAL CHARACTERISTIC FLAG PER SPEC. XXXX			SCALE: NTS	SIZE: B
			SHEET: 1 OF 1	TITLE: PANEL CONNECTOR ASSEMBLY (10) #22 PIN CONTACT, PC TAIL MINI-CON-X
			DIRECTORY: SLW	CUSTOMER: STANDARD PRODUCT
			PART NUMBER: W7881-10PG-3XX	REV: 0A

RoHS COMPLIANT

## X-ON Electronics

Largest Supplier of Electrical and Electronic Components

*Click to view similar products for [Standard Circular Connector](#) category:*

*Click to view products by [Switchcraft](#) manufacturer:*

Other Similar products are found below :

[5M2530B10P](#) [600259N006](#) [600273N007](#) [6134-336-13149](#) [6134-337-11149](#) [6134-337-2390](#) [6134-341-17149](#) [6280-4SG-516](#) [6280-7SG-3DC](#)  
[6290](#) [6291A](#) [66200A-10](#) [680-SMG](#) [681-PMG](#) [CXS3102A14S2P](#) [CXS3102A181S](#) [7251-5SG-300](#) [7271-6SG-300](#) [7282-3PG-300-CH3](#) [75-](#)  
[474618-01S](#) [75-474618-04P](#) [75-474618-04S](#) [799539-000](#) [MI8-SE](#) [805-005-07NF11-19PC](#) [805-005-07NF15-7PA](#) [8280-4PG-516](#) [8280-7PG-](#)  
[519](#) [8282-5PG-519](#) [836783-1](#) [MP-4102-25P-C](#) [862256-1](#) [864019-2](#) [866857-1](#) [867865-1](#) [PT01SP-14-18P](#) [PT08P-14-5S](#) [PTSF06SE-14-12S](#)  
[120-1833-000](#) [QCM019PC2DC012B](#) [1-2069279-1](#) [121583-0217](#) [121667-0020](#) [129591AU](#) [1000B BULK](#) [RD10A16-19-P6CS051/1](#)  
[RD10A20-31-P8CS051/1](#) [RD16A14-12-S6CS051/2](#) [1301240290](#) [1301240347](#) [1301860202](#)