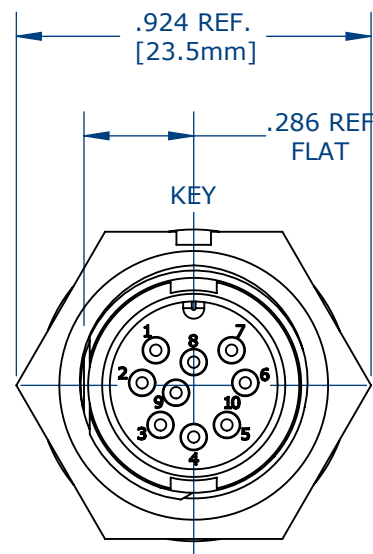


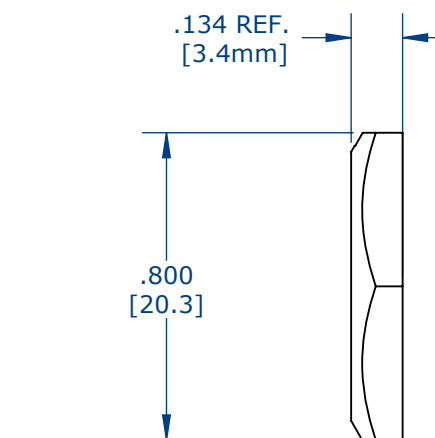
**NOTES:**

1. SOLDER CUP PIN CONTACTS ARE INSTALLED (SHOWN).
2. ALL DIMENSIONS ARE FOR REFERENCE.

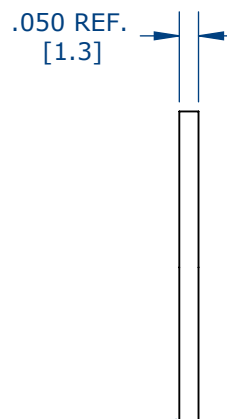
ASS'Y P/N	EPOXY
W7882-9PG-300	NO
W7882-9PG-3ES	YES



FACE VIEW  
W7882-9PG-300 SHOWN

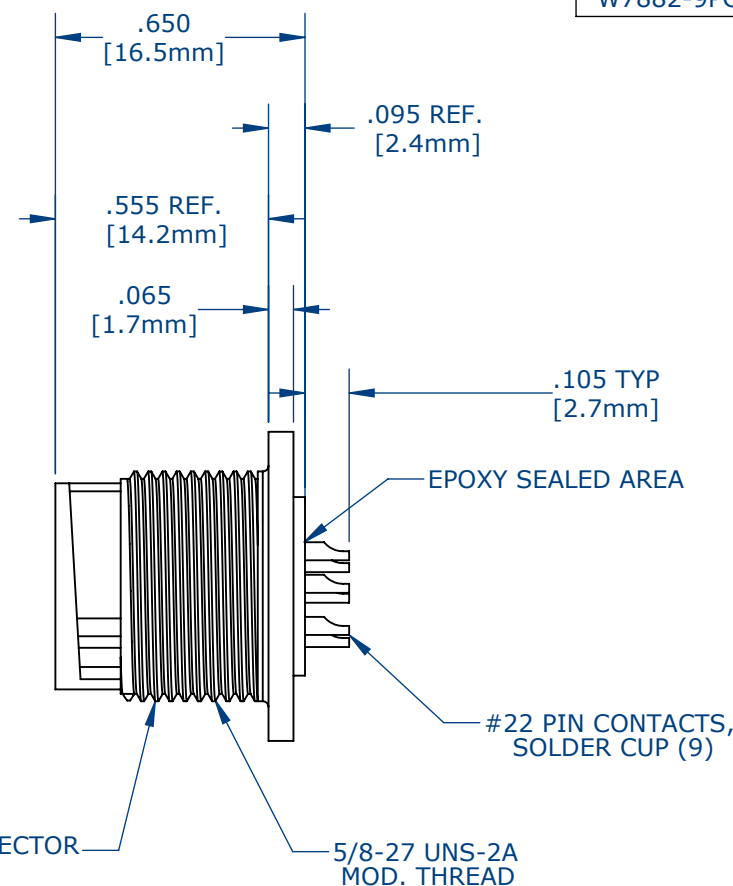


HEX NUT  
.924IN ACROSS EDGE

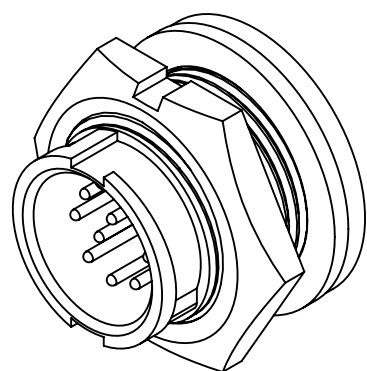


RUBBER GASKET

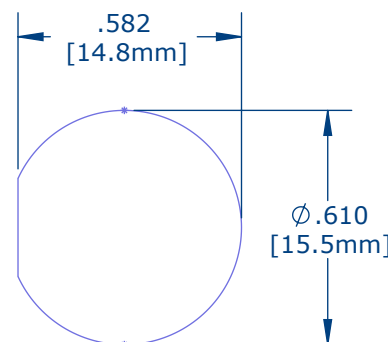
PANEL CONNECTOR



5/8-27 UNS-2A  
MOD. THREAD

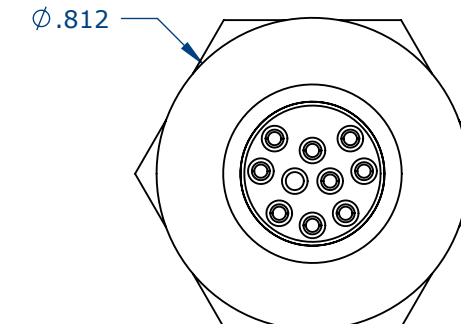


ASSEMBLED VIEW  
FOR CUSTOMER REFERENCE



RECOMMENDED  
PANEL CUT-OUT  
TOLERANCE: ±.003

WIRE VIEW



CUSTOMER DRAWING

**CUSTOMER APPROVAL**

THIS DOCUMENT CONTAINS CONFIDENTIAL INFORMATION PROPRIETARY TO CONXALL CORPORATION. ANY REPRODUCTION, DISCLOSURE, OR USE OF THIS DOCUMENT /INFORMATION IS EXPRESSLY PROHIBITED UNLESS AUTHORIZED IN WRITING BY CONXALL CORPORATION.

APPROVED BY: \_\_\_\_\_

DATE: \_\_\_\_\_

0A	AM	08/10/16	FIRST DRAWN
REV.	INIT.	DATE	DESCRIPTION
	AM	08/10/16	
<small>ALL INFORMATION ILLUSTRATED IS THE PROPERTY OF "CONXALL CORPORATION." UNAUTHORIZED DUPLICATION OR DISTRIBUTION OF THIS DOCUMENT IS PROHIBITED.</small>			<p>601 E. WILDWOOD VILLA PARK, IL 60181</p>
<small>ALL UNITS ARE IN FEET, INCHES, FRACTION OF INCHES AND DECIMALS.</small>			
<small>UNLESS OTHERWISE SPECIFIED TOLERANCES: 3 PLACE DECIMALS ±.005 ANGLES ±1° FRACTIONS ±1/16</small>			<b>TITLE:</b> PANEL CONNECTOR ASSEMBLY (9) #22 PIN CONTACT SOLDER MINI-CON-X <b>CUSTOMER:</b> STANDARD PRODUCT
SCALE	SIZE	SHEET	
NTS	B	1 OF 1	
FILE:	DIRECTORY:	PART NUMBER:	REV
	SLW	W7882-9PG-3XX	0A

CUSTOMER PRINT

PART NUMBER: W7882-9PG-3XX

REV: 0A

## X-ON Electronics

Largest Supplier of Electrical and Electronic Components

*Click to view similar products for [Standard Circular Connector](#) category:*

*Click to view products by [Switchcraft](#) manufacturer:*

Other Similar products are found below :

[5M2530B10P](#) [600259N006](#) [600273N007](#) [6134-336-13149](#) [6134-337-11149](#) [6134-337-2390](#) [6134-341-17149](#) [6280-4SG-516](#) [6280-7SG-3DC](#)  
[6290](#) [6291A](#) [66200A-10](#) [680-SMG](#) [681-PMG](#) [CXS3102A14S2P](#) [CXS3102A181S](#) [7271-6SG-300](#) [7282-3PG-300-CH3](#) [75-474014-05S](#) [75-](#)  
[474618-01S](#) [75-474618-04P](#) [75-474618-04S](#) [799539-000](#) [MI8-SE](#) [805-005-07NF11-19PC](#) [805-005-07NF15-7PA](#) [8280-4PG-516](#) [8280-7PG-](#)  
[519](#) [8282-5PG-519](#) [836783-1](#) [MP-4102-25P-C](#) [862256-1](#) [864019-2](#) [866857-1](#) [867865-1](#) [PT01SP-14-18P](#) [PT08P-14-5S](#) [120-1833-000](#)  
[QCM019PC2DC012B](#) [1-2069279-1](#) [121583-0217](#) [121667-0020](#) [129591AU](#) [1000B BULK](#) [RD10A16-19-P6CS051/1](#) [RD10A20-31-](#)  
[P8CS051/1](#) [RD16A14-12-S6CS051/2](#) [1301240290](#) [1301240347](#) [1301860202](#) [1301240268](#)