

CUSTOMER PRINT

PART NUMBER: W788X-XPG-P-3XX_CD

- NOTES:
1. CRIMP CONTACTS SUPPLIED UNASSEMBLED AND WITHOUT EPOXY BACKING.
 2. HEX-NUT TORQUE: 8-10 IN-LB.
 3. DIMENSIONS ARE REFERENCE ONLY, IN INCHES [mm], WITHIN ±0.015 UNLESS OTHERWISE NOTED.

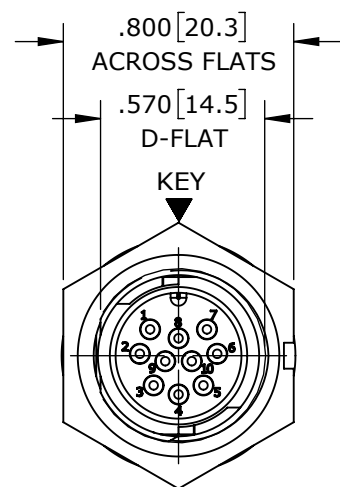
PANEL-MOUNT CONNECTOR PART NUMBERS:

W 7 8 8 X - X P G - P - 3XX

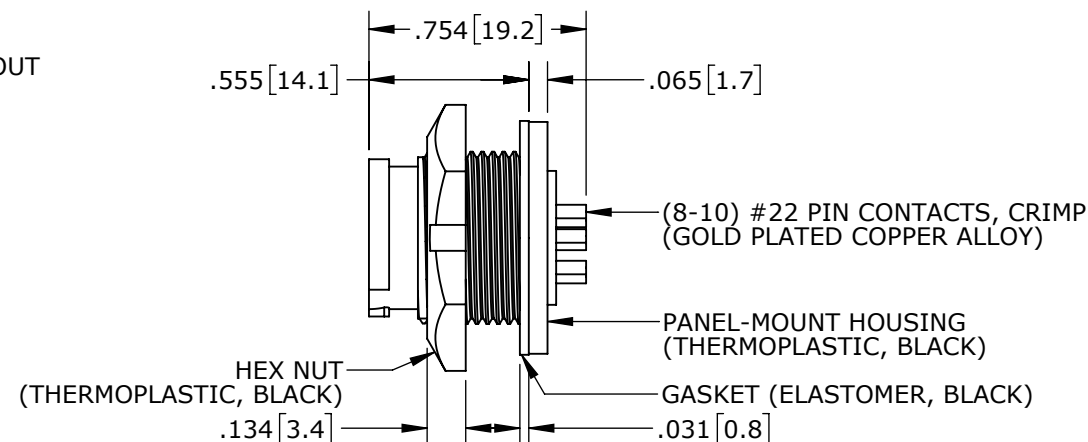
CONTACTS STYLE:
 0 = CRIMP
 2 = SOLDER
 3 = PC TAIL

OF CONTACTS:
 8-10 #22 PINS

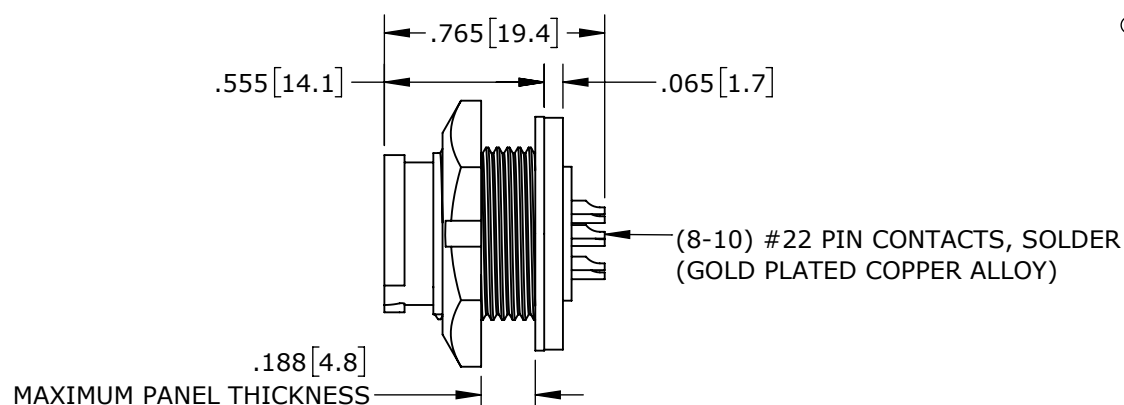
EPOXY BACKING:
 3ES = WITH EPOXY
 300 = WITHOUT EPOXY



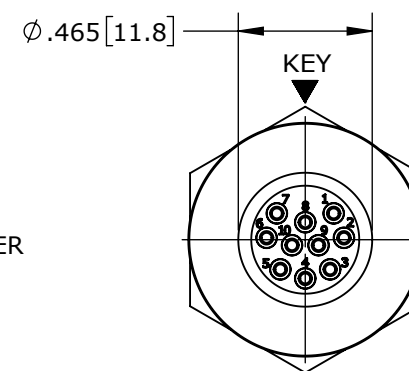
MATING FACE
 W7882-10PG-P-300 SHOWN



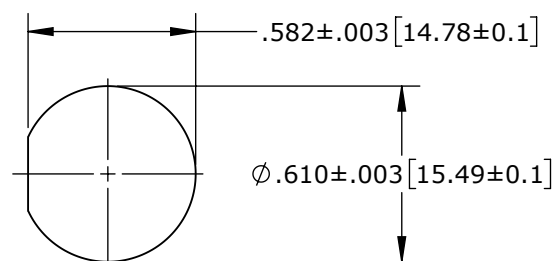
CRIMP CONTACTS (SHOWN ASSEMBLED)
 W7880-10PG-P-300 SHOWN



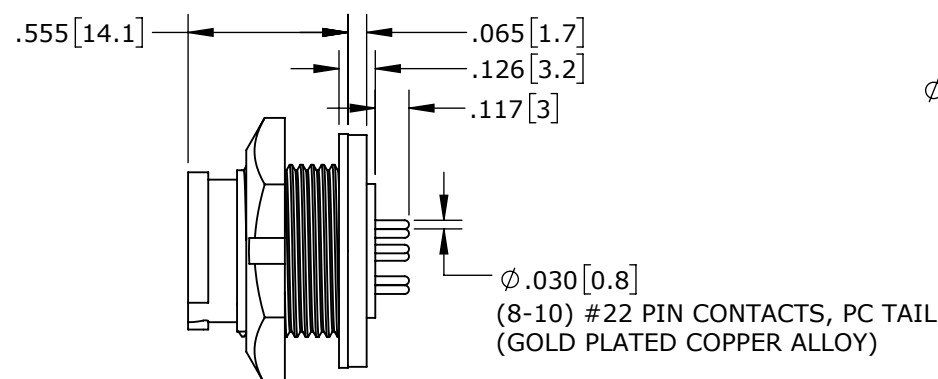
SOLDER CONTACTS
 W7882-10PG-P-300 SHOWN



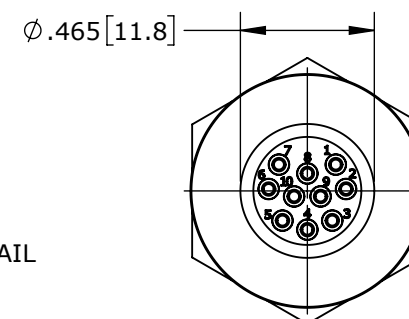
WIRING END
 W7882-10PG-P-300 SHOWN



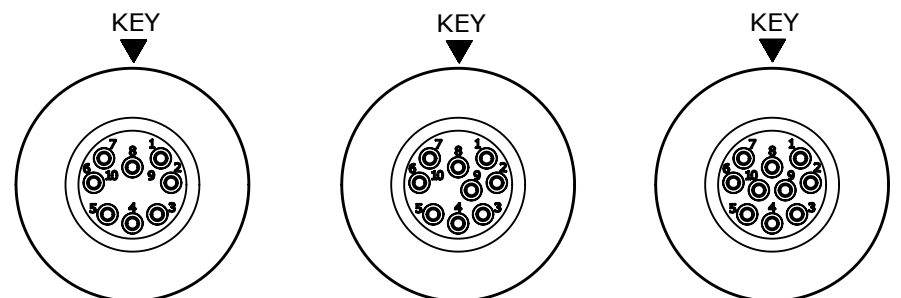
RECOMMENDED PANEL CUTOUT



PC TAIL CONTACTS
 W7883-10PG-P-3ES SHOWN



WIRING END
 W7882-10PG-P-300 SHOWN



W7882-8PG-P-300 W7882-9PG-P-300 W7882-10PG-P-300

CONTACT ARRANGEMENTS (WIRING END SHOWN)

CUSTOMER APPROVAL

THIS DOCUMENT CONTAINS CONFIDENTIAL INFORMATION PROPRIETARY TO CONXALL CORPORATION. ANY REPRODUCTION, DISCLOSURE, OR USE OF THIS DOCUMENT /INFORMATION IS EXPRESSLY PROHIBITED UNLESS AUTHORIZED IN WRITING BY CONXALL CORPORATION.

APPROVED BY: _____
 DATE: _____

RoHS COMPLIANT

0A	PNK	03-15-18	PDR16014
REV.	INIT.	DATE	DESCRIPTION
			ORIG. DRAWN BY: PNK DATE: 03-15-18
ALL INFORMATION ILLUSTRATED IS THE PROPERTY OF CONXALL CORPORATION. UNAUTHORIZED DUPLICATION OR DISTRIBUTION OF THIS DOCUMENT IS PROHIBITED.			
conxall 601 E. WILDWOOD VILLA PARK, IL 60181			
APPROVED BY:			TITLE: PANEL-MOUNT CONNECTOR
SCALE: NTS SIZE: B SHEET: 1 OF 1			8-10 #22 PIN CONTACTS
FILE: W788X-XPG-P-3XX_CD DIRECTORY: SLW			INSTA-CLICK™ MINI-CON-X
- CRITICAL CHARACTERISTIC FLAG PER SPEC. XXXX			CUSTOMER: STANDARD PRODUCT
			PART NUMBER: W788X-XPG-P-3XX REV 0A

X-ON Electronics

Largest Supplier of Electrical and Electronic Components

Click to view similar products for [Standard Circular Connector](#) category:

Click to view products by [Switchcraft](#) manufacturer:

Other Similar products are found below :

[5M2530B10P](#) [600259N006](#) [600273N007](#) [6134-336-13149](#) [6134-337-11149](#) [6134-337-2390](#) [6134-341-17149](#) [6280-4SG-516](#) [6280-7SG-3DC](#)
[6290](#) [6291A](#) [66200A-10](#) [680-SMG](#) [681-PMG](#) [CXS3102A14S2P](#) [CXS3102A181S](#) [7271-6SG-300](#) [7282-3PG-300-CH3](#) [75-474014-05S](#) [75-](#)
[474618-01S](#) [75-474618-04P](#) [75-474618-04S](#) [799539-000](#) [MI8-SE](#) [805-005-07NF11-19PC](#) [805-005-07NF15-7PA](#) [8280-4PG-516](#) [8280-7PG-](#)
[519](#) [8282-5PG-519](#) [836783-1](#) [MP-4102-25P-C](#) [862256-1](#) [864019-2](#) [866857-1](#) [867865-1](#) [PT01SP-14-18P](#) [PT08P-14-5S](#) [120-1833-000](#)
[QCM019PC2DC012B](#) [1-2069279-1](#) [121583-0217](#) [121667-0020](#) [129591AU](#) [1000B BULK](#) [RD10A16-19-P6CS051/1](#) [RD10A20-31-](#)
[P8CS051/1](#) [RD16A14-12-S6CS051/2](#) [1301240290](#) [1301240347](#) [1301860202](#) [1301240268](#)