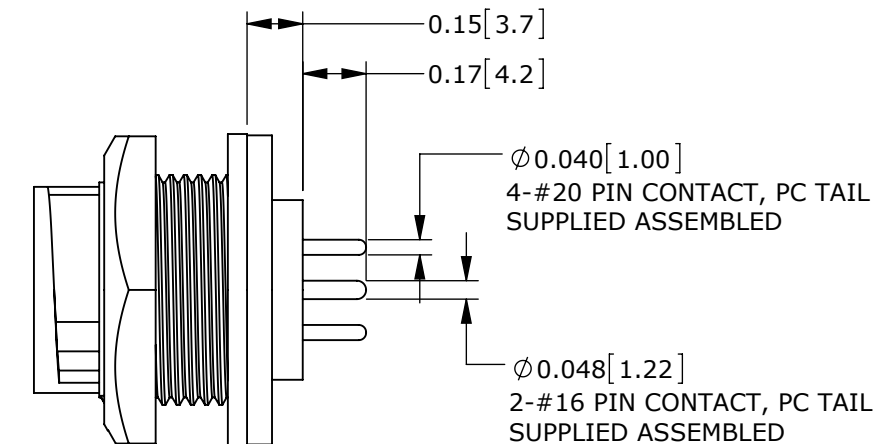
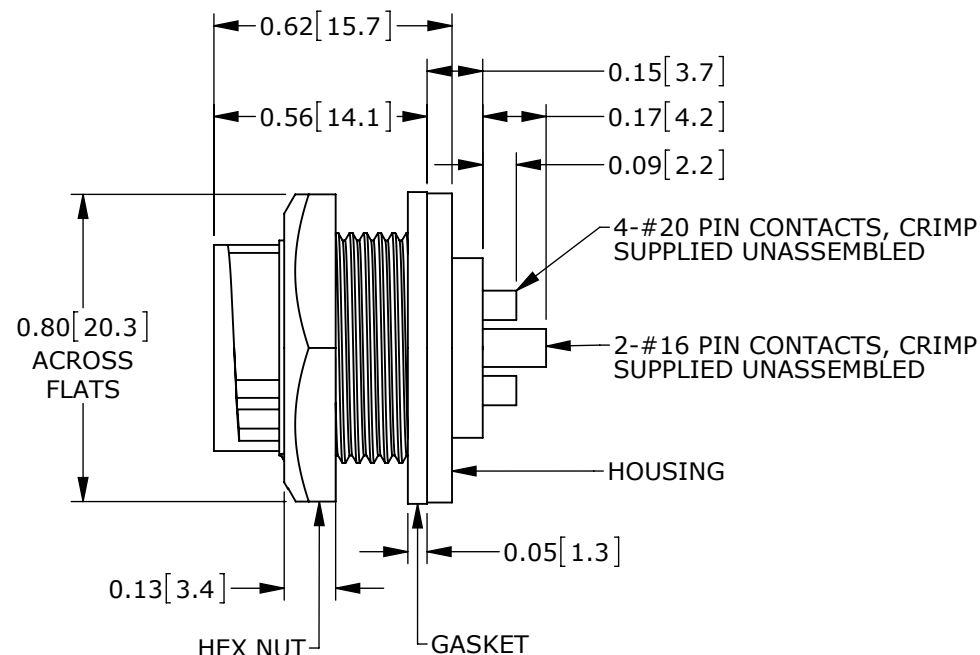


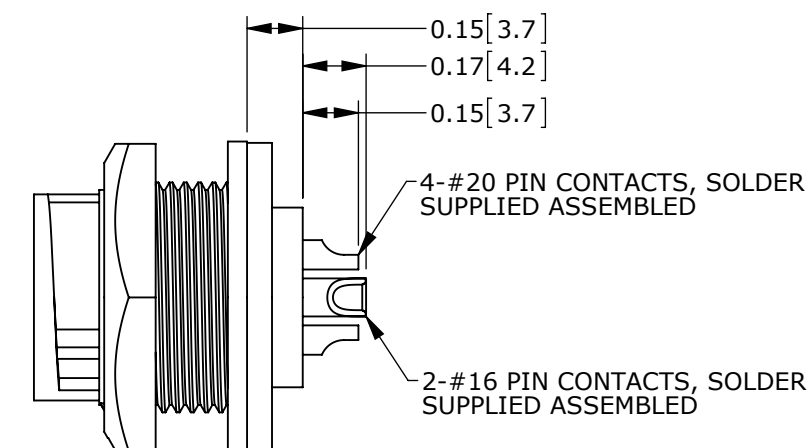
CUSTOMER PRINT

PART NUMBER: W7C8X-6PG-3XX_CD

NOTES:
 1. ALL PARTS TO BE BULK PACKED.
 2. SEE DRAWING HPMIMIX FOR HOLE PATTERN.
 3. DIMENSIONS ARE FOR REFERENCE ONLY.

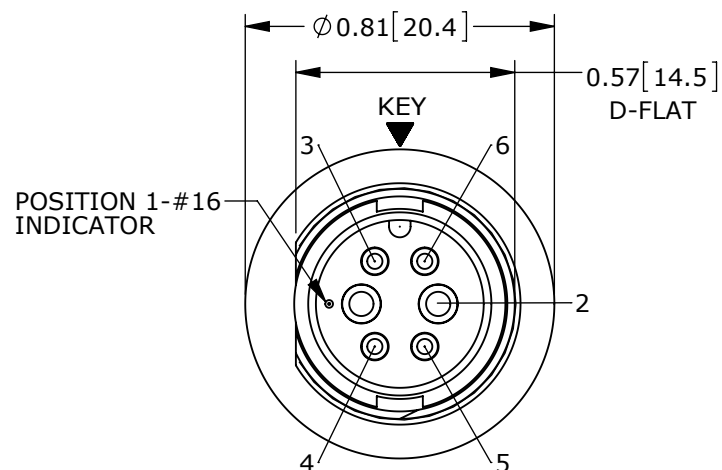
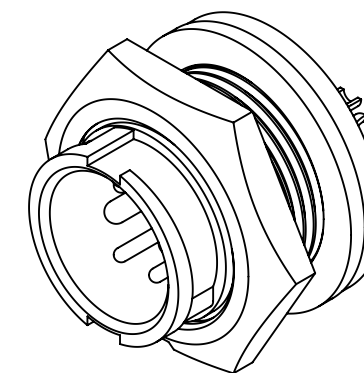


ASSEMBLED VIEW
 ASSY: W7C81-6PG-3ES SHOWN

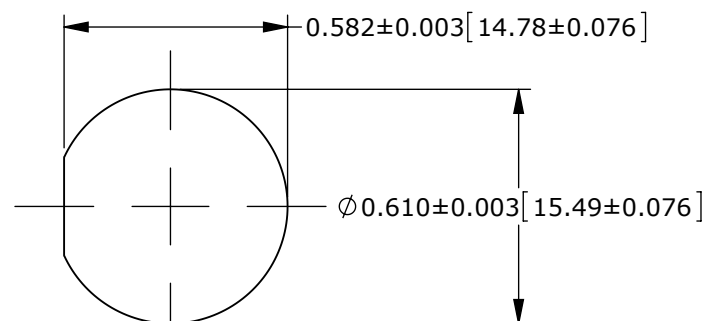


ASSEMBLED VIEW
 ASSY: W7C82-6PG-300 SHOWN

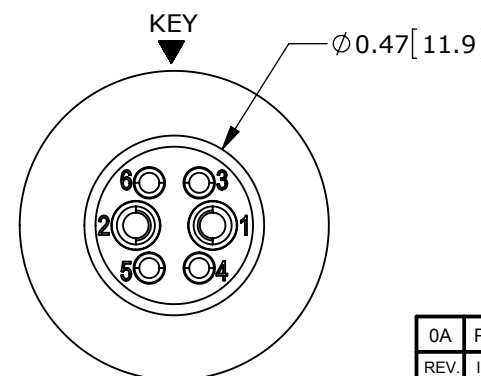
CONNECTOR P/N	POSITIONS		CONTACT STYLE	EPOXY
	#16	#20		
W7C80-6PG-300	2	4	CRIMP	(NONE)
W7C81-6PG-300			PC TAIL	(NONE)
W7C81-6PG-3ES			PC TAIL	ES
W7C82-6PG-300			SOLDER	(NONE)
W7C82-6PG-3ES			SOLDER	ES



MATING FACE
 ASSY: W7C81-6PG-3ES SHOWN



RECOMMENDED PANEL CUTOUT



WIRING END
 ASSY: W7C82-6PG-300 SHOWN

CUSTOMER APPROVAL

THIS DOCUMENT CONTAINS CONFIDENTIAL INFORMATION PROPRIETARY TO CONXALL CORPORATION. ANY REPRODUCTION, DISCLOSURE, OR USE OF THIS DOCUMENT /INFORMATION IS EXPRESSLY PROHIBITED UNLESS AUTHORIZED IN WRITING BY CONXALL CORPORATION.

APPROVED BY: _____
 DATE: _____

RoHS COMPLIANT

0A	PNK	01-19-15	PDR 14001 PRELIMINARY	
REV.	INIT.	DATE	DESCRIPTION	
	PNK	01-19-15	ORIG. DRAWN BY: _____ DATE: 01-19-15 CHECKED BY: _____ APPROVED BY: _____	
ALL INFORMATION ILLUSTRATED IS THE PROPERTY OF CONXALL CORPORATION. UNAUTHORIZED DUPLICATION OR DISTRIBUTION OF THIS DOCUMENT IS PROHIBITED.			601 E. WILDWOOD VILLA PARK, IL 60181	
ALL UNITS ARE IN FEET, INCHES, FRACTION OF INCHES AND DECIMALS. UNLESS OTHERWISE SPECIFIED TOLERANCES: 3 PLACE DECIMALS ±.005 ANGLES ±1° FRACTIONS ±1/16				
TITLE: PANEL-MOUNT CONNECTOR 2-16 + 4-20 PIN CONTACTS MINI-CON-X POWER/SIGNAL		SCALE: NTS SIZE: B SHEET: 1 OF 1	CUSTOMER: STANDARD PRODUCT	
FILE: W7C8X-6PG-3XX_CD		DIRECTORY: SLW	PART NUMBER: W7C8X-6PG-3XX_CD	REV: 0A

X-ON Electronics

Largest Supplier of Electrical and Electronic Components

Click to view similar products for [Standard Circular Connector](#) category:

Click to view products by [Switchcraft](#) manufacturer:

Other Similar products are found below :

[5M2530B10P](#) [600259N006](#) [600273N007](#) [6134-336-13149](#) [6134-337-11149](#) [6134-337-2390](#) [6134-341-17149](#) [6280-4SG-516](#) [6280-7SG-3DC](#)
[6290](#) [6291A](#) [66200A-10](#) [680-SMG](#) [681-PMG](#) [CXS3102A14S2P](#) [CXS3102A181S](#) [7271-6SG-300](#) [7282-3PG-300-CH3](#) [75-474014-05S](#) [75-](#)
[474618-01S](#) [75-474618-04P](#) [75-474618-04S](#) [799539-000](#) [MI8-SE](#) [805-005-07NF11-19PC](#) [805-005-07NF15-7PA](#) [8280-4PG-516](#) [8280-7PG-](#)
[519](#) [8282-5PG-519](#) [836783-1](#) [MP-4102-25P-C](#) [862256-1](#) [864019-2](#) [866857-1](#) [867865-1](#) [PT01SP-14-18P](#) [PT08P-14-5S](#) [120-1833-000](#)
[QCM019PC2DC012B](#) [1-2069279-1](#) [121583-0217](#) [121667-0020](#) [129591AU](#) [1000B BULK](#) [RD10A16-19-P6CS051/1](#) [RD10A20-31-](#)
[P8CS051/1](#) [RD16A14-12-S6CS051/2](#) [1301240290](#) [1301240347](#) [1301860202](#) [1301240268](#)