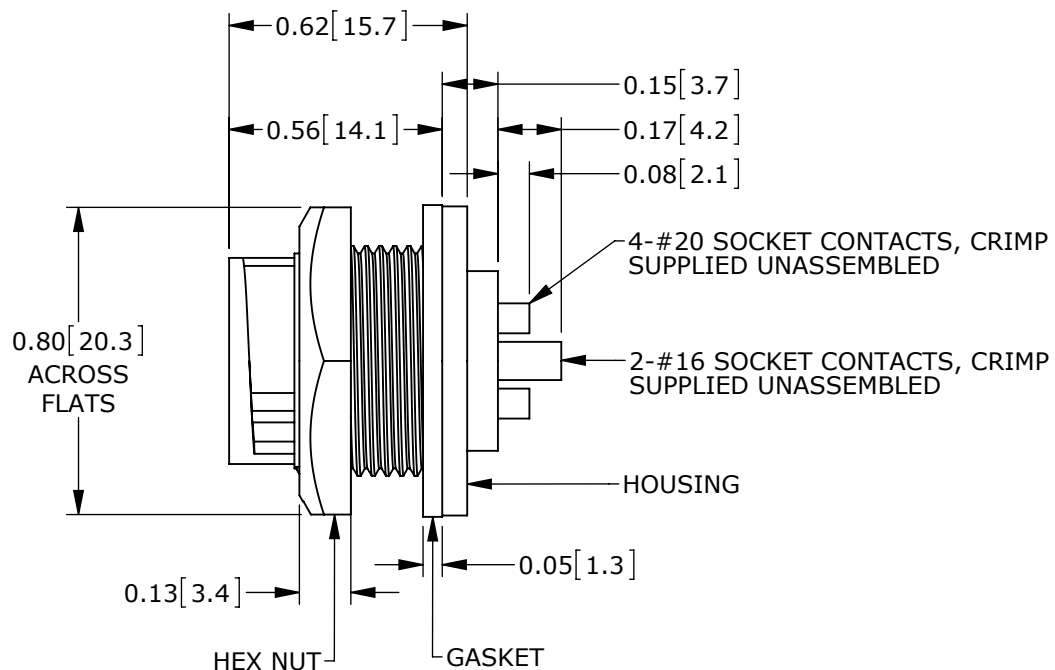


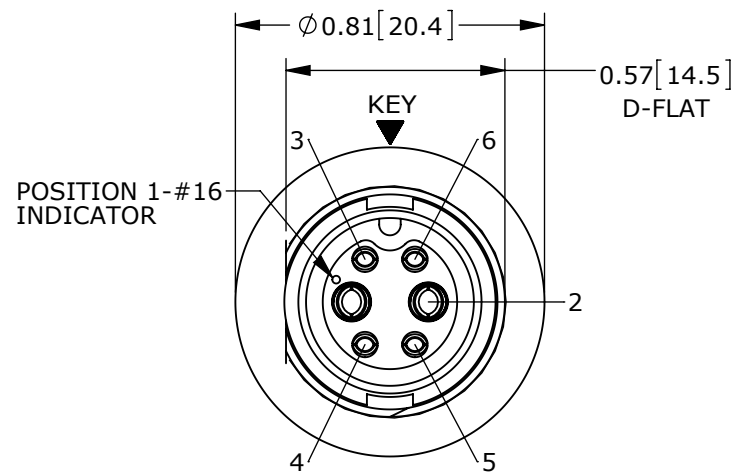
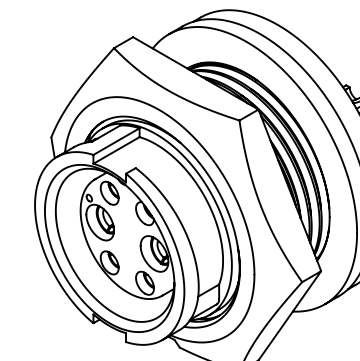
CUSTOMER PRINT

PART NUMBER: W7C8X-6SG-3XX\_CD

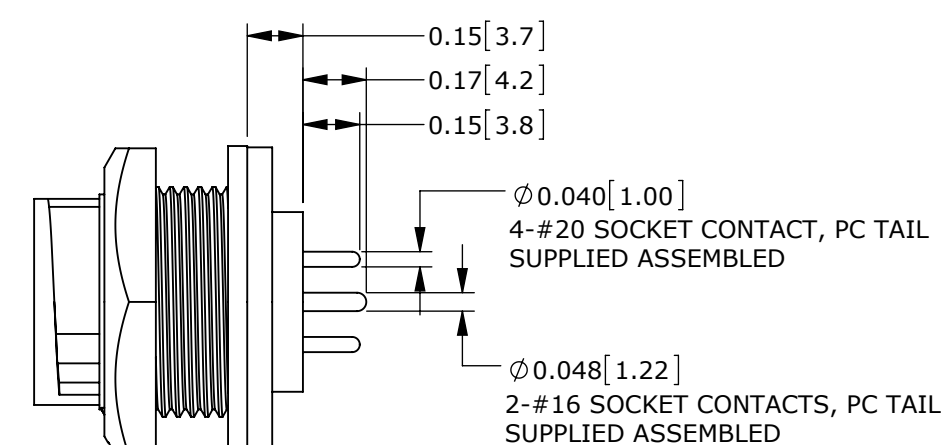
NOTES:  
 1. ALL PARTS TO BE BULK PACKED.  
 2. SEE DRAWING HPMIMIX FOR HOLE PATTERN.  
 3. DIMENSIONS ARE FOR REFERENCE ONLY.



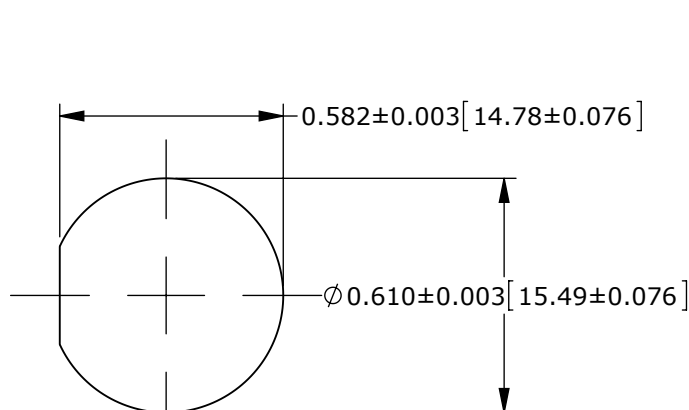
CONNECTOR P/N	POSITIONS		CONTACT STYLE	EPOXY
	#16	#20		
W7C80-6SG-300	2	4	CRIMP	(NONE)
W7C81-6SG-300			PC TAIL	(NONE)
W7C81-6SG-3ES			PC TAIL	ES
W7C82-6SG-300			SOLDER	(NONE)
W7C82-6SG-3ES			SOLDER	ES



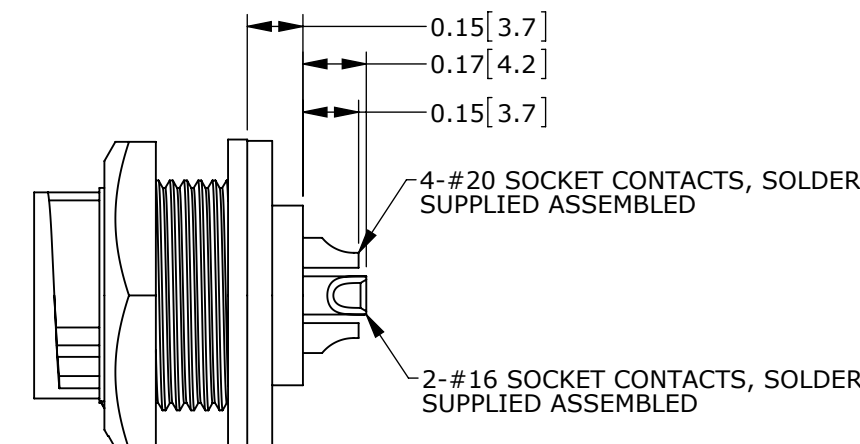
**MATING FACE**  
 ASSY: W7C81-6SG-3ES SHOWN



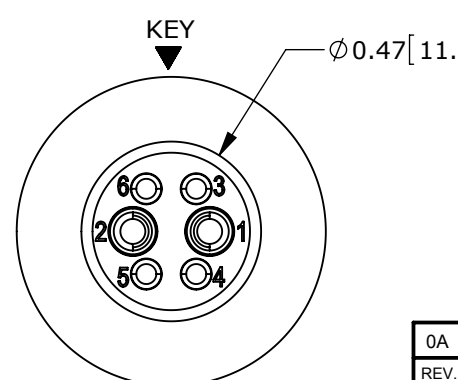
**ASSEMBLED VIEW**  
 ASSY: W7C81-6SG-3ES SHOWN



RECOMMENDED PANEL CUTOUT



**ASSEMBLED VIEW**  
 ASSY: W7C82-6SG-300 SHOWN



**WIRING END**  
 ASSY: W7C82-6SG-300 SHOWN

**CUSTOMER APPROVAL**

THIS DOCUMENT CONTAINS CONFIDENTIAL INFORMATION PROPRIETARY TO CONXALL CORPORATION. ANY REPRODUCTION, DISCLOSURE, OR USE OF THIS DOCUMENT /INFORMATION IS EXPRESSLY PROHIBITED UNLESS AUTHORIZED IN WRITING BY CONXALL CORPORATION.

APPROVED BY: \_\_\_\_\_  
 DATE: \_\_\_\_\_

**RoHS COMPLIANT**

0A	PNK	01-19-15	PDR 14001 PRELIMINARY	
REV.	INIT.	DATE	DESCRIPTION	
			ORIG. DRAWN BY: PNK	DATE: 01-19-15
ALL INFORMATION ILLUSTRATED IS THE PROPERTY OF CONXALL CORPORATION. UNAUTHORIZED DUPLICATION OR DISTRIBUTION OF THIS DOCUMENT IS PROHIBITED.				
ALL UNITS ARE IN FEET, INCHES, FRACTION OF INCHES AND DECIMALS. UNLESS OTHERWISE SPECIFIED TOLERANCES: 3 PLACE DECIMALS ±.005 ANGLES ±1° FRACTIONS ±1/16			TITLE: PANEL-MOUNT CONNECTOR 2-16 + 4-20 SOCKET CONTACTS MINI-CON-X POWER/SIGNAL CUSTOMER: STANDARD PRODUCT	
SCALE	SIZE	SHEET	PART NUMBER: W7C8X-6SG-3XX_CD	
NTS	B	1 OF 1	REV 0A	
FILE:	DIRECTORY:	PART NUMBER:		
W7C8X-6SG-3XX_CD	SLW			

## X-ON Electronics

Largest Supplier of Electrical and Electronic Components

*Click to view similar products for [Standard Circular Connector](#) category:*

*Click to view products by [SWITCHCRAFT](#) manufacturer:*

Other Similar products are found below :

[5M2530B10P](#) [600259N006](#) [600273N007](#) [6134-336-13149](#) [6134-337-11149](#) [6134-337-2390](#) [6134-341-17149](#) [6280-4SG-516](#) [6280-7SG-3DC](#)  
[6290](#) [6291A](#) [66200A-10](#) [680-SMG](#) [681-PMG](#) [CXS3102A14S2P](#) [CXS3102A181S](#) [7251-5SG-300](#) [7271-6SG-300](#) [7282-3PG-300-CH3](#) [75-](#)  
[474618-01S](#) [75-474618-04P](#) [75-474618-04S](#) [799539-000](#) [MI8-SE](#) [805-005-07NF11-19PC](#) [805-005-07NF15-7PA](#) [8280-4PG-516](#) [8280-7PG-](#)  
[519](#) [8282-5PG-519](#) [836783-1](#) [MP-4102-25P-C](#) [862256-1](#) [864019-2](#) [866857-1](#) [867865-1](#) [PT01SP-14-18P](#) [PT08P-14-5S](#) [PTSF06SE-14-12S](#)  
[120-1833-000](#) [QCM019PC2DC012B](#) [1-2069279-1](#) [121583-0217](#) [121667-0020](#) [129591AU](#) [1000B BULK](#) [RD10A16-19-P6CS051/1](#)  
[RD10A20-31-P8CS051/1](#) [RD16A14-12-S6CS051/2](#) [1301240290](#) [1301240347](#) [1301860202](#)