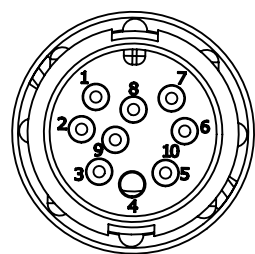


NOTES:

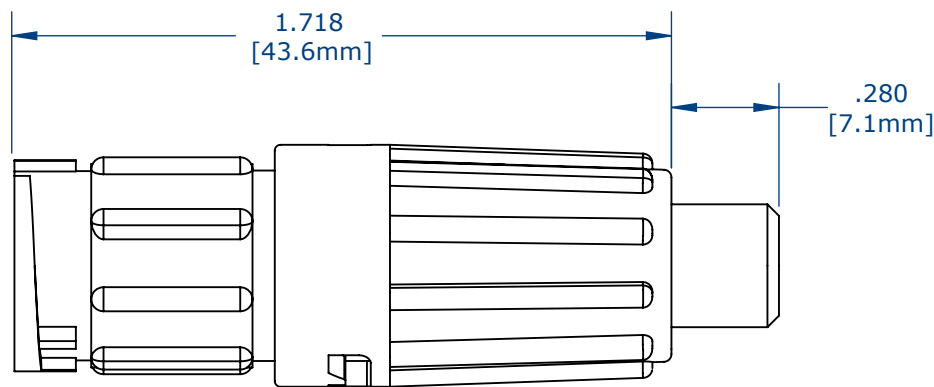
1. PARTS ARE TO BE BULK PACKED
2. CONTACTS ARE ASSEMBLED INTO CONNECTOR.
3. ALL DIMENSIONS ARE FOR REFERENCE ONLY.

KIT PART NO.	CABLE OD.
X8882-9PG-522	.220-.250 [5.6-6.4mm]
X8882-9PG-528	.265-.285 [6.7-7.2mm]

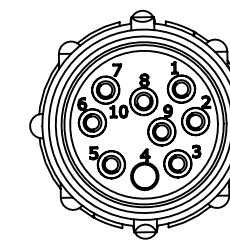
NO. OF CONTACTS — GROMMET SIZES



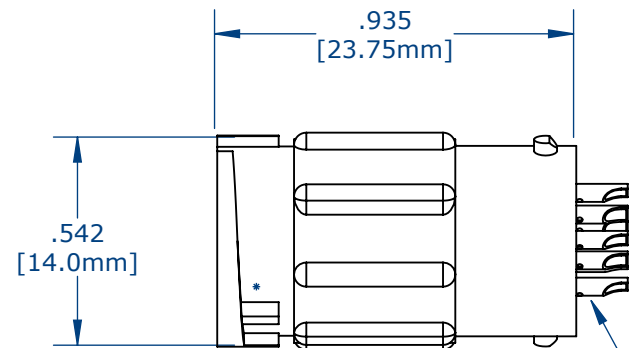
FACE VIEW



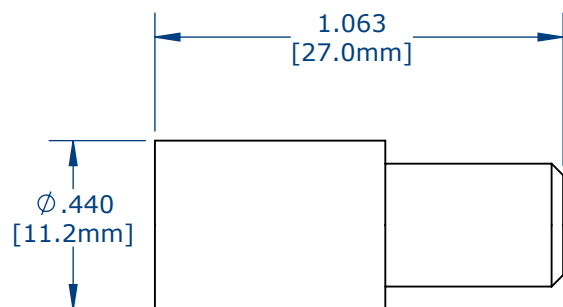
ASSEMBLED KIT VIEW
W8882-9PG-522 SHOWN



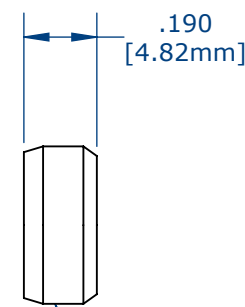
WIRE VIEW



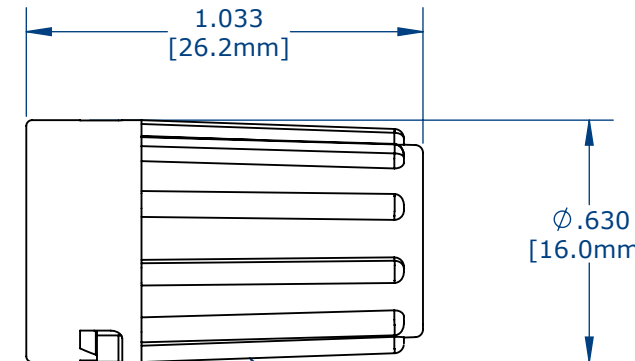
IN LINE CONNECTOR



GROMMET, LONG

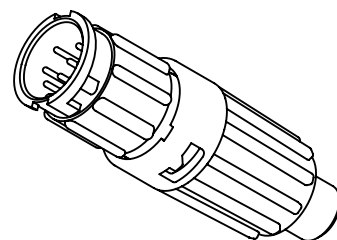


CABLE GRIP



BACKSHELL, LONG

9#22 PIN CONTACTS, SOLDER



ASSEMBLED KIT FOR CUSTOMER REFERENCE

CUSTOMER DRAWING

CUSTOMER APPROVAL

THIS DOCUMENT CONTAINS CONFIDENTIAL INFORMATION PROPRIETARY TO CONXALL CORPORATION. ANY REPRODUCTION, DISCLOSURE, OR USE OF THIS DOCUMENT /INFORMATION IS EXPRESSLY PROHIBITED UNLESS AUTHORIZED IN WRITING BY CONXALL CORPORATION.

APPROVED BY: _____

DATE: _____

REV.	INIT.	DATE	DESCRIPTION
0A	AM	08/16/16	FIRST DRAWN
<small>ALL INFORMATION ILLUSTRATED IS THE PROPERTY OF "CONXALL CORPORATION." UNAUTHORIZED DUPLICATION OR DISTRIBUTION OF THIS DOCUMENT IS PROHIBITED.</small>			<small>ORIG. DRAWN BY: AM</small> <small>DATE: 08/16/16</small>
<small>ALL UNITS ARE IN FEET, INCHES, FRACTION OF INCHES AND DECIMALS.</small>			<p>601 E. WILDWOOD VILLA PARK, IL 60181</p>
<small>UNLESS OTHERWISE SPECIFIED TOLERANCES: 3 PLACE DECIMALS ±.005 ANGLES ±1° FRACTIONS ±1/16</small>			
<small>APPROVED BY:</small>		<small>SCALE: NTS</small> <small>SIZE: B</small> <small>SHEET: 1 OF 1</small>	<small>TITLE: IN-LINE CONNECTOR, KIT (9) # 22 PIN CONTACTS SOLDER MINI-CON-X</small> <small>CUSTOMER: STANDARD PRODUCT</small>
<small>FILE:</small>		<small>DIRECTORY: SLW</small>	<small>PART NUMBER: W8882-9PG-5XX</small> <small>REV: 0A</small>

X-ON Electronics

Largest Supplier of Electrical and Electronic Components

Click to view similar products for [Standard Circular Connector](#) category:

Click to view products by [Switchcraft](#) manufacturer:

Other Similar products are found below :

[5M2530B10P](#) [600259N006](#) [600273N007](#) [6134-336-13149](#) [6134-337-11149](#) [6134-337-2390](#) [6134-341-17149](#) [6280-4SG-516](#) [6280-7SG-3DC](#)
[6290](#) [6291A](#) [66200A-10](#) [680-SMG](#) [681-PMG](#) [CXS3102A14S2P](#) [CXS3102A181S](#) [7251-5SG-300](#) [7271-6SG-300](#) [7282-3PG-300-CH3](#) [75-](#)
[474618-01S](#) [75-474618-04P](#) [75-474618-04S](#) [799539-000](#) [MI8-SE](#) [805-005-07NF11-19PC](#) [805-005-07NF15-7PA](#) [8280-4PG-516](#) [8280-7PG-](#)
[519](#) [8282-5PG-519](#) [836783-1](#) [MP-4102-25P-C](#) [862256-1](#) [864019-2](#) [866857-1](#) [867865-1](#) [PT01SP-14-18P](#) [PT08P-14-5S](#) [PTSF06SE-14-12S](#)
[120-1833-000](#) [QCM019PC2DC012B](#) [1-2069279-1](#) [121583-0217](#) [121667-0020](#) [129591AU](#) [1000B BULK](#) [RD10A16-19-P6CS051/1](#)
[RD10A20-31-P8CS051/1](#) [RD16A14-12-S6CS051/2](#) [1301240290](#) [1301240347](#) [1301860202](#)