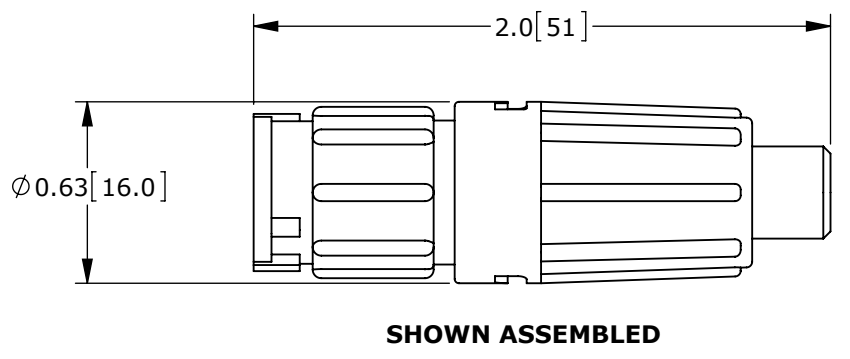
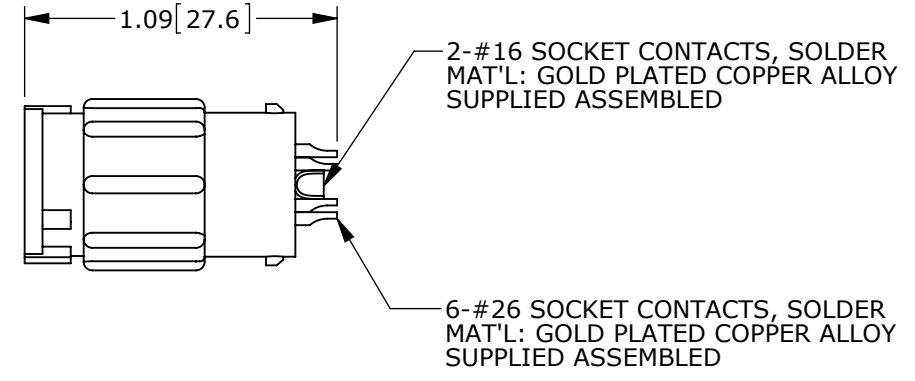
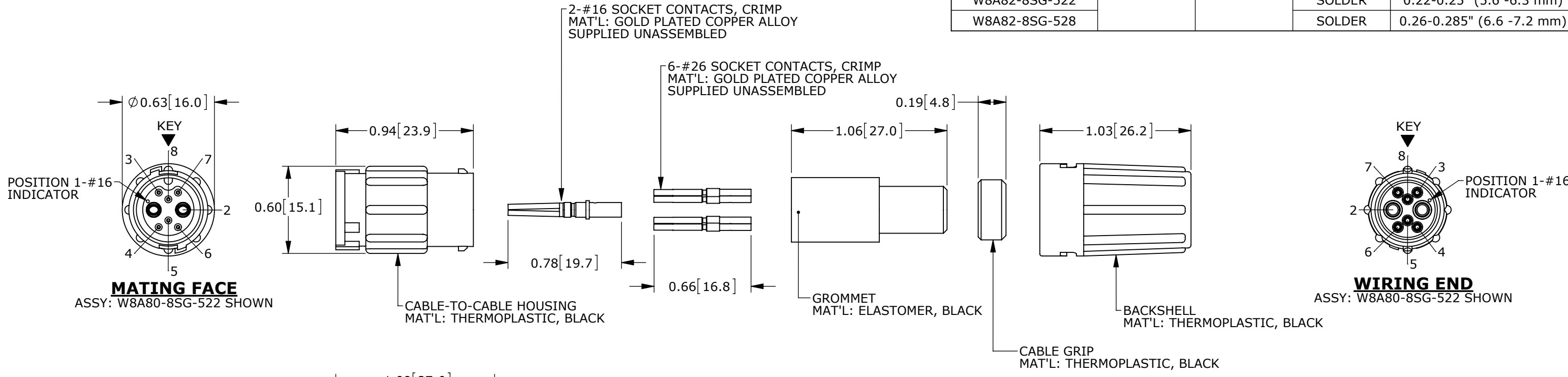


NOTES:
 1. ALL PARTS TO BE BULK PACKED.
 2. SEE DRAWING HPMIMIX FOR HOLE PATTERN.
 3. DIMENSIONS ARE FOR REFERENCE ONLY.

CONNECTOR P/N	POSITIONS		CONTACT STYLE	CABLE O.D. RANGE
	#16	#26		
W8A80-8SG-513	2	6	CRIMP	0.13-0.15" (3.3 -3.8 mm)
W8A80-8SG-516			CRIMP	0.16-0.18" (4.1 -4.6 mm)
W8A80-8SG-519			CRIMP	0.19-0.21" (4.8 -5.3 mm)
W8A80-8SG-522			CRIMP	0.22-0.25" (5.6 -6.3 mm)
W8A80-8SG-528			CRIMP	0.26-0.285" (6.6 -7.2 mm)
W8A82-8SG-513			SOLDER	0.13-0.15" (3.3 -3.8 mm)
W8A82-8SG-516			SOLDER	0.16-0.18" (4.1 -4.6 mm)
W8A82-8SG-519			SOLDER	0.19-0.21" (4.8 -5.3 mm)
W8A82-8SG-522			SOLDER	0.22-0.25" (5.6 -6.3 mm)
W8A82-8SG-528			SOLDER	0.26-0.285" (6.6 -7.2 mm)

CUSTOMER PRINT

PART NUMBER: W8A8X-8SG-5XX_CD



CUSTOMER APPROVAL

THIS DOCUMENT CONTAINS CONFIDENTIAL INFORMATION PROPRIETARY TO CONXALL CORPORATION. ANY REPRODUCTION, DISCLOSURE, OR USE OF THIS DOCUMENT /INFORMATION IS EXPRESSLY PROHIBITED UNLESS AUTHORIZED IN WRITING BY CONXALL CORPORATION.

APPROVED BY: _____
 DATE: _____

RoHS COMPLIANT

0A	PNK	01-19-16	PDR 14001 PRELIMINARY
REV.	INIT.	DATE	DESCRIPTION
	PNK	01-19-16	ORIG. DRAWN BY: DATE: 01-19-16
ALL INFORMATION ILLUSTRATED IS THE PROPERTY OF CONXALL CORPORATION. UNAUTHORIZED DUPLICATION OR DISTRIBUTION OF THIS DOCUMENT IS PROHIBITED.			 601 E. WILDWOOD VILLA PARK, IL 60181
ALL UNITS ARE IN FEET. INCHES, FRACTION OF INCHES AND DECIMALS. UNLESS OTHERWISE SPECIFIED TOLERANCES: 3 PLACE DECIMALS ±.005 ANGLES ±1° FRACTIONS ±1/16			
APPROVED BY:			TITLE: CABLE-TO-CABLE CONNECTOR 2-16 + 6-26 SOCKET CONTACTS MINI-CON-X POWER/SIGNAL
SCALE	SIZE	SHEET	CUSTOMER: STANDARD PRODUCT
NTS	B	1 OF 1	
FILE: W8A8X-8SG-5XX_CD	DIRECTORY: SLW	PART NUMBER: W8A8X-8SG-5XX_CD	REV 0A

X-ON Electronics

Largest Supplier of Electrical and Electronic Components

Click to view similar products for [Standard Circular Connector](#) category:

Click to view products by [SWITCHCRAFT](#) manufacturer:

Other Similar products are found below :

[5M2530B10P](#) [600259N006](#) [600273N007](#) [6134-336-13149](#) [6134-337-11149](#) [6134-337-2390](#) [6134-341-17149](#) [6280-4SG-516](#) [6280-7SG-3DC](#)
[6290](#) [6291A](#) [66200A-10](#) [680-SMG](#) [681-PMG](#) [CXS3102A14S2P](#) [CXS3102A181S](#) [7271-6SG-300](#) [7282-3PG-300-CH3](#) [75-474014-05S](#) [75-](#)
[474618-01S](#) [75-474618-04P](#) [75-474618-04S](#) [799539-000](#) [MI8-SE](#) [805-005-07NF11-19PC](#) [805-005-07NF15-7PA](#) [8280-4PG-516](#) [8280-7PG-](#)
[519](#) [8282-5PG-519](#) [836783-1](#) [MP-4102-25P-C](#) [862256-1](#) [864019-2](#) [866857-1](#) [867865-1](#) [PT01SP-14-18P](#) [PT08P-14-5S](#) [120-1833-000](#)
[QCM019PC2DC012B](#) [1-2069279-1](#) [121583-0217](#) [121667-0020](#) [129591AU](#) [1000B BULK](#) [RD10A16-19-P6CS051/1](#) [RD10A20-31-](#)
[P8CS051/1](#) [RD16A14-12-S6CS051/2](#) [1301240290](#) [1301240347](#) [1301860202](#) [1301240268](#)