

Switchcraft®

E & EH Series Wall Plates



WP1B2P



WP2S4P

Features

- Compatible with our full line of E & EH Series connectors
- Available as single and double gang with 0, 1, 2, and 4 connector holes
- Available with standard (non-threaded) or tapped 4-40 connector mounting holes
- RoHS Compliant

E & EH Series Wall Plates

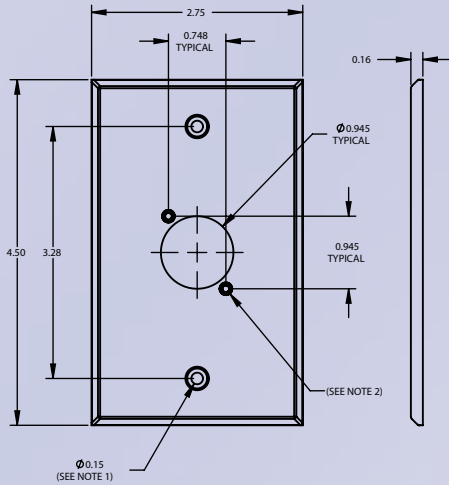
E & EH Series Wall Plates from Switchcraft® are the perfect solution for anyone requiring custom connector configurations on standard size wall plates. Options include single and double gang with 0, 1, 2, and 4 connector holes. Plates are available in brushed stainless steel or anodized black aluminum and with standard or tapped 4-40 connector mounting holes. Tapped 4-40 connector mounting holes allow connectors to be screwed directly into the plate without the use of a nut (front mount only).

Any combination of Switchcraft® E and EH Series panel mount connectors are compatible, providing the most customizable line of audio, video, and data connectivity available for standard size wall plates.

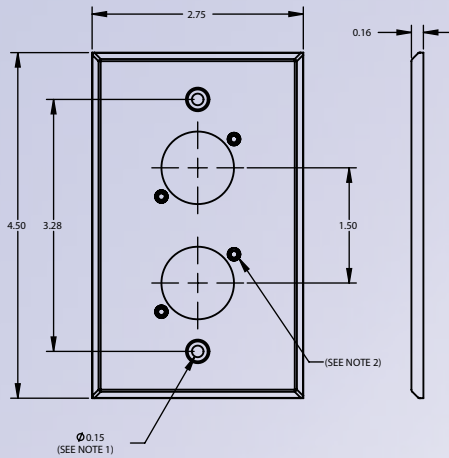


Switchcraft®

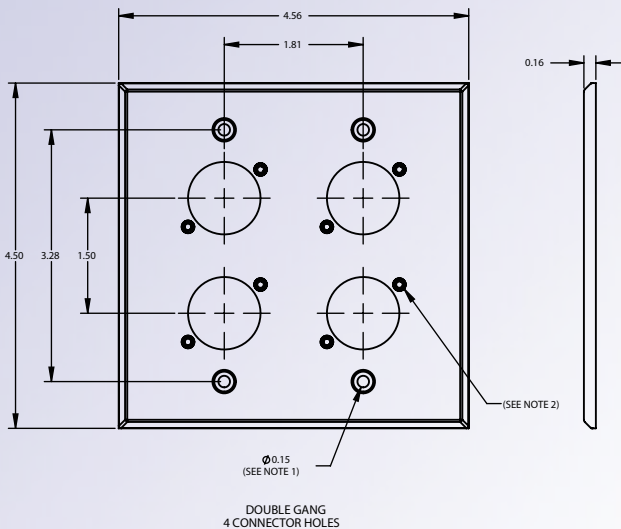
E & EH Series Wall Plates



SINGLE GANG
1 CONNECTOR HOLE



SINGLE GANG
2 CONNECTOR HOLES



DOUBLE GANG
4 CONNECTOR HOLES



WP1B2

PART NUMBER	GANG SIZE	FINISH	EH CONNECTOR HOLES	CONNECTOR MOUNTING HOLE
WP1S	1	STAINLESS STEEL	0	NONE
WP1S1	1	STAINLESS STEEL	1	Ø0.138
WP1S1P	1	STAINLESS STEEL	1	#4-40 THREAD
WP1B1	1	BLACK ALUMINUM	1	Ø0.138
WP1B1P	1	BLACK ALUMINUM	1	#4-40 THREAD
WP1S2	1	STAINLESS STEEL	2	Ø0.138
WP1S2P	1	STAINLESS STEEL	2	#4-40 THREAD
WP1B2	1	BLACK ALUMINUM	2	Ø0.138
WP1B2P	1	BLACK ALUMINUM	2	#4-40 THREAD
WP2S4	2	STAINLESS STEEL	4	Ø0.138
WP2S4P	2	STAINLESS STEEL	4	#4-40 THREAD
WP2B4	2	BLACK ALUMINUM	4	Ø0.138
WP2B4P	2	BLACK ALUMINUM	4	#4-40 THREAD

NOTES:

1. WALL PLATES COME WITH #6-32 MOUNTING SCREWS.
2. WALL PLATES ARE AVAILABLE WITH STANDARD (NON-THREADED) OR TAPPED #4-40 PEM CONNECTOR MOUNTING HOLES.
3. THIS PRODUCT IS RoHS COMPLIANT.



X-ON Electronics

Largest Supplier of Electrical and Electronic Components

Click to view similar products for [XLR Connectors](#) category:

Click to view products by [Switchcraft](#) manufacturer:

Other Similar products are found below :

[707-0300](#) [8800235](#) [91101181024](#) [91201231](#) [91214571](#) [A3F01](#) [A3M01](#) [QGP3F](#) [HA16PRQ-3SE\(71\)](#) [AA3FL](#) [AAA4FWZ](#) [AAA4MWZ](#)
[AC3-MIC](#) [AC4-MIC](#) [AC5FPZB](#) [AC6AFDZV](#) [AC7FDZB](#) [D4FB](#) [DE4MW](#) [DHNF-BAG](#) [E3MBAUSW](#) [NA2FP-UW](#) [NA3MP-UW](#)
[NC3FBHR1-0](#) [NC3FD-H-0](#) [NC3FK-V](#) [NC3FX-1](#) [NC3FXY-B](#) [NC3MDM3-H-B](#) [NC3MK-V](#) [NC3MXY](#) [NC4FD-LX-0](#) [NC5FX-HD-B](#)
[NC6FSXX-BAG](#) [NC6MD-LX-BAG](#) [NC6MSX-BAG](#) [RT3FC-B-W-D](#) [91210071096](#) [SL05](#) [99.265.0400.0](#) [A3F04](#) [AC3FG](#) [AC3MMG](#) [AC4-FCP](#) [AC4FPZ](#) [AQG4F](#) [2504FP](#) [30-498-2](#) [R6MZ](#) [CXX-15](#)