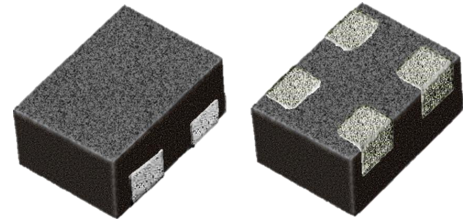


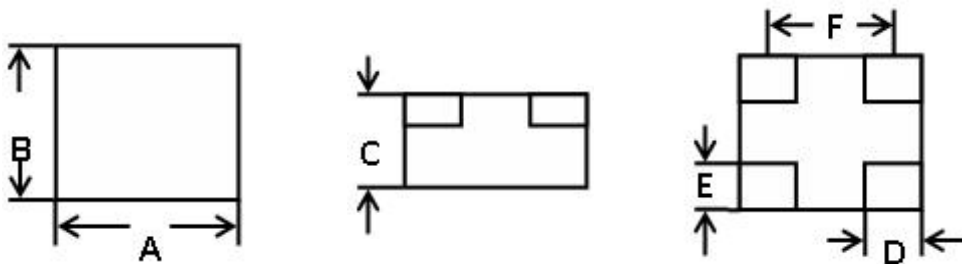
Common Mode Filters

1. Scope:

- SMMF (Common Mode Filters) Series are thin film common mode filters designed to suppress common mode noise for high speed differential data lines, such as USB 2.0, IEEE 1394, LVDS, DVI, HDMI, and MIPI.
- These differential interfaces can be used in personal computers, note books, mobile phone, LCD/PDP/DLP TVs, Blu-ray/DVD players, personal handheld equipments, etc.



Product Dimensions [unit: inch/ mm]:



Product Dimensions

A	B	C	D	E	F
0.65	0.55	0.30	0.20	0.15	0.30
±0.05	±0.05	±0.05	±0.05	±0.10	±0.10

PART NUMBERING SYSTEM:

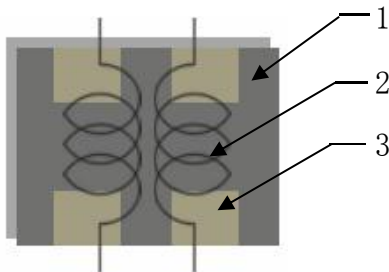
SMMF 0605 — G 900 2P
 1 2 3 4 5

- | | |
|--------------------------|-------------------------|
| 1. Product Type | 2. EIA Dimension Code |
| 3. Product internal code | 4. Impedance(at 100MHz) |
| 5. Line Code | |

Test instruments :

Impedance tested by Agilent 4294A LCR meter

MATERIAL LIST:



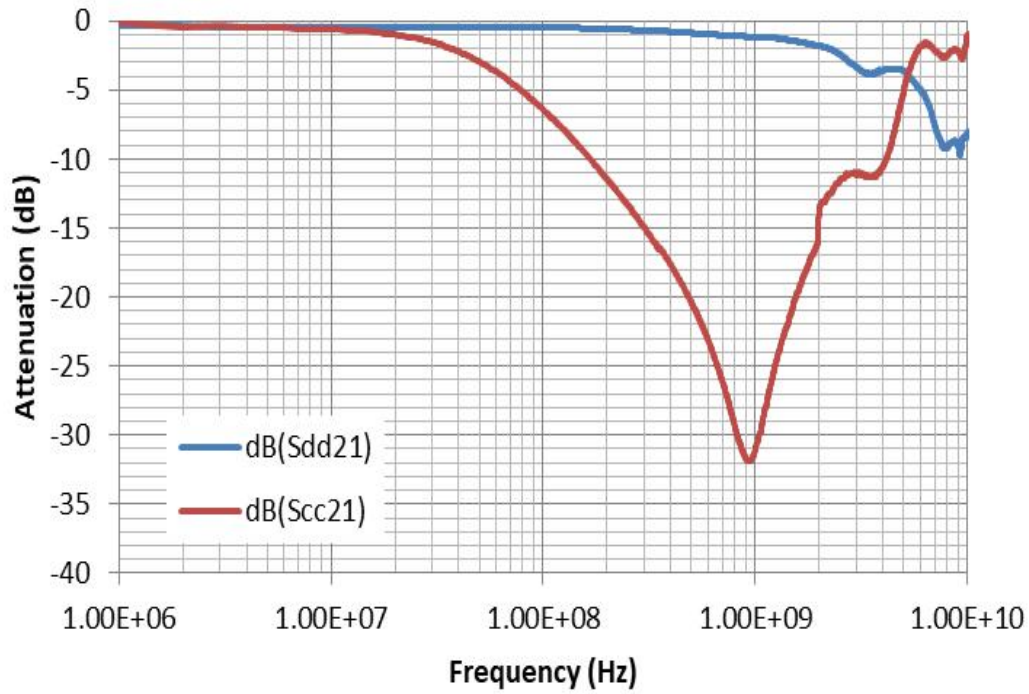
No	Part	Material
1	CORE	Ferrite
2	WIRE	Copper
3	BASE	Copper

Electrical characteristics for CMF series:

P/N	Impedance	Rated Current	Rated Voltage	Cut Off Freq..
	(Ω)@100MHz	(mA)	(V)	Typ
SMMF0605-G9002P	90±25%	100	5.0	3GHz
SMMF0605-G6502P	65±25%	100	5.0	4GHz
SMMF0605-G3502P	35±25%	100	5.0	6GHz
SMMF0605-G1202P	12±25%	100	5.0	9GHz
SMMF0605-G0702P	7±25%	100	5.0	12GHz

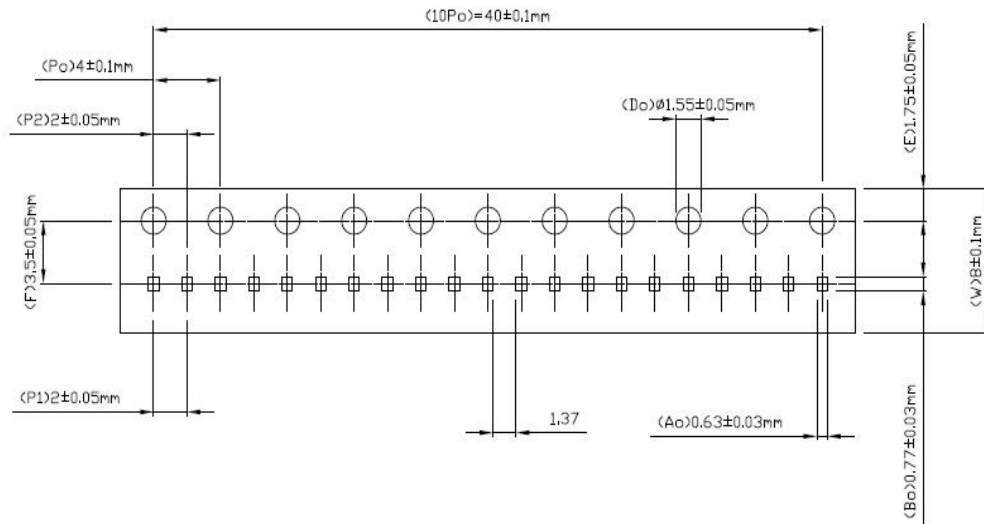
- MSL Level : Level 1
- Storage Condition with package
- Storage Time : 12 months
- Storage Temperature : 5 to 40°C
- Relative Humidity : < 65 %

SMMF0605-G9002P Insertion Loss

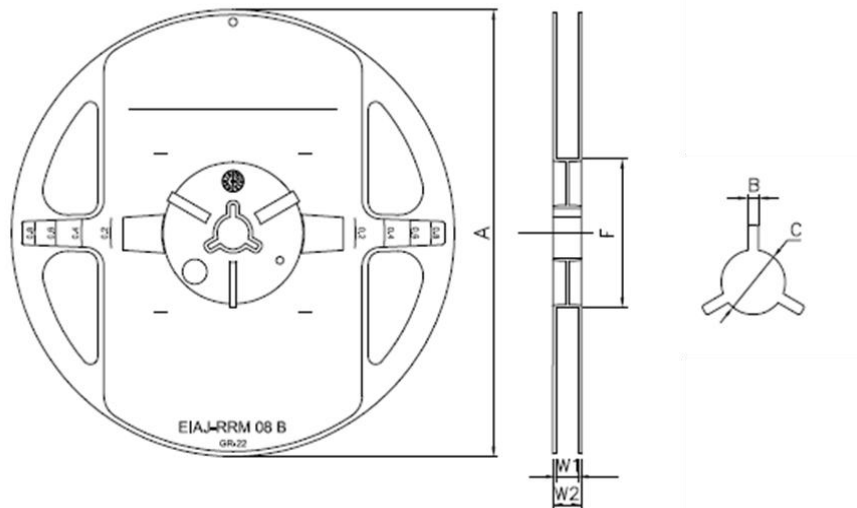


DIMENSIONS FOR CARRIER TAPES (unit:mm)

ITEM	W	F	E	P2	P0	D0	B0	A0	T
DIM	8.00 ±0.1	3.50 ±0.05	1.75 ±0.05	2.00 ±0.05	4.00 ±0.1	1.55 ±0.05	0.77 ±0.03	0.63 ±0.03	0.60 ±0.03



ITEM	A	B	C	F	W1	W2
DIM	Ø178±5	1.5±1	Ø13±0.5	Ø60±2	9+0.3/-0	11.4±1.0



Standard quantity: 10000 pcs/Reel

X-ON Electronics

Largest Supplier of Electrical and Electronic Components

Click to view similar products for [Common Mode Chokes / Filters](#) category:

Click to view products by [SXN](#) manufacturer:

Other Similar products are found below :

[RGCMF1210900H3T](#) [B82722A2102N001](#) [UAL21V07012500](#) [UAL24VR06500CH](#) [UALSC0220G0000](#) [UALSC058000000](#)
[UALSC0580J0000](#) [UALSC1520JH000](#) [UALSU10VR15019](#) [UALSU10VR20010](#) [UALSU16VD30030](#) [UALSU16VD40010](#)
[UALSU9H0305000](#) [UALSU9HF030600](#) [UALSU9HF060300](#) [UALSU9HR050340](#) [UALSU9VD070100](#) [UALSU9VR070170](#) [5701610000](#)
[CM7060M132R-10](#) [UALW21HS200290](#) [UALW21HS072450](#) [UALSU9VD070400](#) [UALSU9V0701000](#) [UALSU9HR030900](#)
[UALSU9HF050500](#) [UALSU9H0701000](#) [UALSU9H0208000](#) [UALSU9H0110000](#) [UALSCF25081300](#) [UALSC0305GS000](#)
[UALSC0120G0000](#) [UAL24VK06450CH](#) [UAL11VL1105000](#) [RN112-3.6-02-0M4](#) [RN114-1.2-02-10M](#) [RN122-0.6-02-47M](#) [RN122-3-02-4M5](#)
[RN142-1-02-33M](#) [RN214-2.5-02-3M3](#) [RN112-2-02-1M0](#) [RN143-6-02-1M8](#) [RN214-0.8-02-27M](#) [RN242-1.4-02-27M](#) [EXC-X4CH120X](#)
[DLW5BTM102TQ2L](#) [CMF16-153131](#) [CMF23H-273141](#) [744252510](#) [B82793C0253N201](#)