

MINIATURE SMD CHIP CHOKE COILS

闭磁路贴片电感

Wire Wound SMD Power Inductors



Operating Temp: -20°C ~ 120°C

特征:

- 轻便薄小
- 大电流低直流阻抗
- 直接在磁芯上金属化电极，抗跌落冲击强，经久耐用
- 闭合磁路结构设计，漏磁少，抗 EMI 能力强
- 省空间，更省电

FEATURES:

- Compact and thin.
- Large Current and Low DCR.
- Metallization on Ferrite Core results in excellent shock resistance and damage-free durability
- Closed magnetic circuit design reduces leakage flux and Electro Magnetic Interference (EMI)
- Takes up less PCB real estate and save more power

用途:

- 广泛应用于 LED 背光板、平板电视、蓝光 DVD 机顶盒、笔记本电脑、台式电脑、服务器、显卡、便携式游戏机、个人导航系统、多媒体、汽车产品、通信设备、直流转换。

APPLICATIONS

- LED backlight、Flat-screen TVs, blue-ray disc recorders, set top box、Notebooks, desktop computers, servers, graphic cards、Portable gaming devices, personal navigation systems, personal multimedia devices, Automotive systems Telecomm base station、DC-DC converter

产品型号:

PRODUCT IDENTIFICATION

SMNR **8040** **470** **M** **T**

① ② ③ ④ ⑤

①

| | |
|---------|---|
| 类型 Type | |
| SMNR | 闭磁路贴片电感 Unshielded SMT Power Inductors |

②

| | |
|--|-------------|
| 外形尺寸(LxH) (mm) External Dimensions (LxWxH) (mm) | |
| 8040 | 8.0X8.0x4.0 |

③

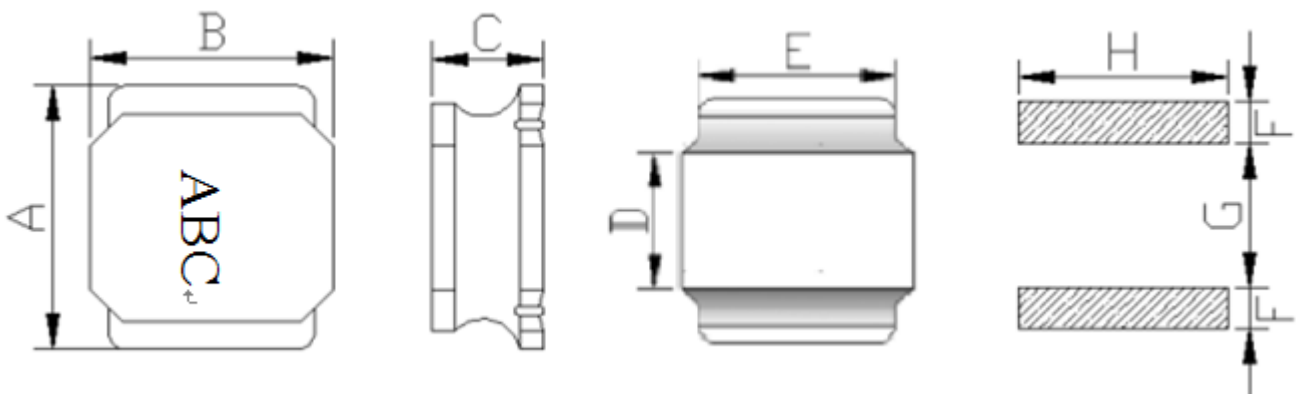
| |
|------------|
| Inductance |
| 47 uH |

④

| | |
|---------------------------|--|
| Tolerance | |
| J: ±5%, K: ±10%, L: ±15% | |
| M: ±20%, P: ±25%, N: ±30% | |

⑤

| | |
|------------|-----------------|
| 包装 Packing | |
| B | 散装 Bulk Package |
| T | 编带 Tape & Reel |



MINIATURE SMD CHIP CHOKE COILS

| Part No | A | B | C max | D | E | F Typ | G Typ | H Typ |
|----------|---------|---------|-------|---------|---------|-------|-------|-------|
| SMNR3010 | 3.0±0.3 | 3.0±0.3 | 1.0 | 1.5±0.2 | 2.5±0.2 | 0.8 | 1.5 | 2.7 |
| SMNR3012 | 3.0±0.3 | 3.0±0.3 | 1.2 | 1.5±0.2 | 2.5±0.2 | 0.8 | 1.5 | 2.7 |
| SMNR3015 | 3.0±0.3 | 3.0±0.3 | 1.5 | 1.5±0.2 | 2.5±0.2 | 0.8 | 1.5 | 2.7 |
| SMNR4010 | 4.0±0.3 | 4.0±0.3 | 1.0 | 2.1±0.2 | 3.3±0.2 | 1.1 | 1.9 | 3.7 |
| SMNR4012 | 4.0±0.3 | 4.0±0.3 | 1.2 | 2.1±0.2 | 3.3±0.2 | 1.1 | 1.9 | 3.7 |
| SMNR4018 | 4.0±0.3 | 4.0±0.3 | 1.8 | 2.1±0.2 | 3.3±0.2 | 1.1 | 1.9 | 3.7 |
| SMNR4020 | 4.0±0.3 | 4.0±0.3 | 2.0 | 2.1±0.2 | 3.3±0.2 | 1.1 | 1.9 | 3.7 |
| SMNR4030 | 4.0±0.3 | 4.0±0.3 | 3.0 | 2.1±0.2 | 3.3±0.2 | 1.1 | 1.9 | 3.7 |
| SMNR5020 | 4.0±0.3 | 4.0±0.3 | 2.0 | 2.5±0.2 | 4.0±0.2 | 1.4 | 2.3 | 4.2 |
| SMNR5030 | 4.0±0.3 | 4.0±0.3 | 3.0 | 2.5±0.2 | 4.0±0.2 | 1.4 | 2.3 | 4.2 |
| SMNR5040 | 4.0±0.3 | 4.0±0.3 | 4.0 | 2.5±0.2 | 4.0±0.2 | 1.4 | 2.3 | 4.2 |
| SMNR6020 | 6.0±0.3 | 6.0±0.3 | 2.0 | 2.9±0.3 | 4.9±0.3 | 1.7 | 2.8 | 5.7 |
| SMNR6028 | 6.0±0.3 | 6.0±0.3 | 3.0 | 2.9±0.3 | 4.9±0.3 | 1.7 | 2.8 | 5.7 |
| SMNR6045 | 6.0±0.3 | 6.0±0.3 | 4.5 | 2.9±0.3 | 4.9±0.3 | 1.7 | 2.8 | 5.7 |
| SMNR8040 | 8.0±0.3 | 8.0±0.3 | 4.0 | 4.0±0.3 | 6.3±0.3 | 2.2 | 3.8 | 7.5 |

SMNR3010 Series

| Part No. | Inductance (uH) | | | DCR (OHM) Max | Rated DC Current (Amp)Max |
|----------------|-----------------|-------|-------------|---------------|---------------------------|
| | Nominal Value | Tole. | Test Freq. | | |
| SMNR3010 -1R0N | 1.0 | N | 100KHz/1.0v | 0.07 | 1.30 |
| SMNR3010 -1R5N | 1.5 | N | 100KHz/1.0v | 0.08 | 1.20 |
| SMNR3010 -2R2N | 2.2 | N | 100KHz/1.0v | 0.10 | 1.10 |
| SMNR3010 -3R3N | 3.3 | N | 100KHz/1.0v | 0.14 | 0.87 |
| SMNR3010 -4R7N | 4.7 | N | 100KHz/1.0v | 0.19 | 0.75 |
| SMNR3010 -6R8N | 6.8 | N | 100KHz/1.0v | 0.30 | 0.62 |
| SMNR3010 -100M | 10 | M | 100KHz/1.0v | 0.45 | 0.50 |
| SMNR3010 -150M | 15 | M | 100KHz/1.0v | 0.74 | 0.40 |
| SMNR3010 -220M | 22 | M | 100KHz/1.0v | 1.03 | 0.35 |
| SMNR3010 -330M | 33 | M | 100KHz/1.0v | 1.55 | 0.26 |
| SMNR3010 -470M | 47 | M | 100KHz/1.0v | 2.05 | 0.22 |

SMNR3012 Series

| Part No. | Inductance (uH) | | | DCR (OHM) Max | Rated DC Current (Amp)Max |
|----------------|-----------------|-------|-------------|---------------|---------------------------|
| | Nominal Value | Tole. | Test Freq. | | |
| SMNR3012 -1R0N | 1.0 | N | 100KHz/1.0v | 0.05 | 1.50 |
| SMNR3012 -1R5N | 1.5 | N | 100KHz/1.0v | 0.06 | 1.36 |
| SMNR3012 -2R2N | 2.2 | N | 100KHz/1.0v | 0.08 | 1.10 |
| SMNR3012 -3R3N | 3.3 | N | 100KHz/1.0v | 0.10 | 0.91 |
| SMNR3012 -4R7N | 4.7 | N | 100KHz/1.0v | 0.13 | 0.77 |
| SMNR3012 -6R8N | 6.8 | N | 100KHz/1.0v | 0.19 | 0.67 |
| SMNR3012 -100M | 10 | M | 100KHz/1.0v | 0.29 | 0.54 |
| SMNR3012 -150M | 15 | M | 100KHz/1.0v | 0.45 | 0.44 |
| SMNR3012 -220M | 22 | M | 100KHz/1.0v | 0.63 | 0.38 |
| SMNR3012 -330M | 33 | M | 100KHz/1.0v | 1.03 | 0.31 |

MINIATURE SMD CHIP CHOKE COILS

SMNR3015 Series

| Part No. | Inductance (uH) | | | DCR (OHM) Max | Rated DC Current (Amp)Max |
|----------------|-----------------|-------|-------------|---------------|---------------------------|
| | Nominal Value | Tole. | Test Freq. | | |
| SMNR3015 -1R0N | 1.0 | N | 100KHz/1.0v | 0.03 | 2.10 |
| SMNR3015 -1R5N | 1.5 | N | 100KHz/1.0v | 0.04 | 1.80 |
| SMNR3015 -2R2N | 2.2 | N | 100KHz/1.0v | 0.06 | 1.48 |
| SMNR3015 -3R3N | 3.3 | N | 100KHz/1.0v | 0.08 | 1.21 |
| SMNR3015 -4R7N | 4.7 | N | 100KHz/1.0v | 0.12 | 1.02 |
| SMNR3015 -6R8N | 6.8 | N | 100KHz/1.0v | 0.16 | 0.87 |
| SMNR3015 -100M | 10 | M | 100KHz/1.0v | 0.23 | 0.70 |
| SMNR3015 -150M | 15 | M | 100KHz/1.0v | 0.36 | 0.56 |
| SMNR3015 -220M | 22 | M | 100KHz/1.0v | 0.52 | 0.47 |
| SMNR3015 -330M | 33 | M | 100KHz/1.0v | 0.84 | 0.39 |
| SMNR3015 -470M | 47 | M | 100KHz/1.0v | 1.34 | 0.32 |

MNR4010 Series

| Part No. | Inductance (uH) | | | DCR (OHM) Max | Rated DC Current (Amp)Max |
|----------------|-----------------|-------|-------------|---------------|---------------------------|
| | Nominal Value | Tole. | Test Freq. | | |
| SMNR4010 -1R0N | 1.0 | N | 100KHz/1.0v | 0.070 | 2.00 |
| SMNR4010 -2R2N | 2.2 | N | 100KHz/1.0v | 0.105 | 1.20 |
| SMNR4010 -3R3N | 3.3 | N | 100KHz/1.0v | 0.125 | 1.10 |
| SMNR4010 -4R7N | 4.7 | N | 100KHz/1.0v | 0.26 | 0.95 |
| SMNR4010 -6R8N | 6.8 | N | 100KHz/1.0v | 0.27 | 0.80 |
| SMNR4010 -100M | 10 | M | 100KHz/1.0v | 0.380 | 0.62 |
| SMNR4010 -150M | 15 | M | 100KHz/1.0v | 0.550 | 0.54 |
| SMNR4010 -220M | 22 | M | 100KHz/1.0v | 0.700 | 0.45 |
| SMNR4010 -330M | 33 | M | 100KHz/1.0v | 0.780 | 0.28 |
| SMNR4010 -470M | 47 | M | 100KHz/1.0v | 0.990 | 0.16 |

SMNR4012 Series

| Part No. | Inductance (uH) | | | DCR (OHM) Max | Rated DC Current (Amp)Max |
|----------------|-----------------|-------|-------------|---------------|---------------------------|
| | Nominal Value | Tole. | Test Freq. | | |
| SMNR4012 -1R0N | 1.0 | N | 100KHz/1.0v | 0.06 | 2.50 |
| SMNR4012 -2R2N | 2.2 | N | 100KHz/1.0v | 0.100 | 1.65 |
| SMNR4012 -3R3N | 3.3 | N | 100KHz/1.0v | 0.135 | 1.20 |
| SMNR4012 -4R7N | 4.7 | N | 100KHz/1.0v | 0.170 | 1.05 |
| SMNR4012 -6R8N | 6.8 | N | 100KHz/1.0v | 0.240 | 0.90 |
| SMNR4012 -100M | 10 | M | 100KHz/1.0v | 0.330 | 0.74 |
| SMNR4012 -150M | 15 | M | 100KHz/1.0v | 0.40 | 0.56 |
| SMNR4012 -220M | 22 | M | 100KHz/1.0v | 0.700 | 0.51 |
| SMNR4012 -330M | 33 | M | 100KHz/1.0v | 0.960 | 0.40 |
| SMNR4012 -470M | 47 | M | 100KHz/1.0v | 1.350 | 0.35 |

MINIATURE SMD CHIP CHOKE COILS

SMNR4018 Series

| Part No. | Inductance (uH) | | | DCR (OHM) Max | Rated DC Current (Amp)Max |
|----------------|-----------------|-------|-------------|---------------|---------------------------|
| | Nominal Value | Tole. | Test Freq. | | |
| SMNR4018 -1R0N | 1.0 | N | 100KHz/1.0v | 0.030 | 4.80 |
| SMNR4018 -1R5N | 1.5 | N | 100KHz/1.0v | 0.036 | 3.35 |
| SMNR4018 -2R2N | 2.2 | N | 100KHz/1.0v | 0.550 | 2.70 |
| SMNR4018 -3R3N | 3.3 | N | 100KHz/1.0v | 0.880 | 2.45 |
| SMNR4018 -4R7N | 4.7 | M | 100KHz/1.0v | 0.115 | 1.70 |
| SMNR4018 -6R8N | 6.8 | M | 100KHz/1.0v | 0.140 | 1.45 |
| SMNR4018 -100M | 10 | M | 100KHz/1.0v | 0.230 | 1.30 |
| SMNR4018 -150M | 15 | M | 100KHz/1.0v | 0.320 | 0.94 |
| SMNR4018 -220M | 22 | M | 100KHz/1.0v | 0.400 | 0.80 |
| SMNR4018 -330M | 33 | M | 100KHz/1.0v | 0.660 | 0.56 |
| SMNR4018 -470M | 47 | M | 100KHz/1.0v | 0.760 | 0.50 |
| SMNR4018 -680M | 68 | M | 100KHz/1.0v | 1.280 | 0.47 |
| SMNR4018 -101M | 100 | M | 100KHz/1.0v | 2.200 | 0.40 |
| SMNR4018 -151M | 150 | M | 100KHz/1.0v | 3.000 | 0.31 |

SMNR4020 Series

| Part No. | Inductance (uH) | | | DCR (OHM) Max | Rated DC Current (Amp)Max |
|----------------|-----------------|-------|-------------|---------------|---------------------------|
| | Nominal Value | Tole. | Test Freq. | | |
| SMNR4020 -1R0N | 1.0 | M | 100KHz/1.0v | 0.03 | 4.00 |
| SMNR4020 -2R2N | 2.2 | M | 100KHz/1.0v | 0.06 | 2.70 |
| SMNR4020 -3R3N | 3.3 | M | 100KHz/1.0v | 0.07 | 2.00 |
| SMNR4020 -4R7N | 4.7 | M | 100KHz/1.0v | 0.09 | 1.70 |
| SMNR4020 -6R8N | 6.8 | M | 100KHz/1.0v | 0.11 | 1.45 |
| SMNR4020 -100M | 10 | M | 100KHz/1.0v | 0.18 | 1.20 |
| SMNR4020 -150M | 15 | M | 100KHz/1.0v | 0.25 | 0.94 |
| SMNR4020 -220M | 22 | M | 100KHz/1.0v | 0.36 | 0.80 |
| SMNR4020 -330M | 33 | M | 100KHz/1.0v | 0.53 | 0.65 |
| SMNR4020 -470M | 47 | M | 100KHz/1.0v | 0.65 | 0.57 |
| SMNR4020 -680M | 68 | M | 100KHz/1.0v | 1.00 | 0.47 |

MINIATURE SMD CHIP CHOKE COILS

SMNR4030 Series

| Part No. | Inductance (uH) | | | DCR (OHM) Max | Rated DC Current (Amp)Max |
|----------------|-----------------|-------|-------------|---------------|---------------------------|
| | Nominal Value | Tole. | Test Freq. | | |
| SMNR4030 -1R0N | 1.0 | N | 100KHz/1.0v | 0.018 | 5.26 |
| MNR4030 -1R5N | 1.5 | N | 00KHz/1.0v | 0.026 | 4.85 |
| SMNR4030 -2R2N | 2.2 | N | 100KHz/1.0v | 0.039 | 4.40 |
| SMNR4030 -3R3N | 3.3 | N | 100KHz/1.0v | 0.050 | 3.30 |
| SMNR4030 -4R7N | 4.7 | N | 100KHz/1.0v | 0.076 | 2.90 |
| SMNR4030 -6R8N | 6.8 | N | 100KHz/1.0v | 0.115 | 2.75 |
| SMNR4030 -8R2N | 8.2 | N | 100KHz/1.0v | 0.122 | 2.10 |
| SMNR4030 -100M | 10 | M | 100KHz/1.0v | 0.130 | 1.95 |
| SMNR4030 -120M | 12 | M | 100KHz/1.0v | 0.172 | 1.70 |
| SMNR4030 -150M | 15 | M | 100KHz/1.0v | 0.230 | 1.65 |
| SMNR4030 -220M | 22 | M | 100KHz/1.0v | 0.290 | 1.30 |
| SMNR4030 -330M | 33 | M | 100KHz/1.0v | 0.420 | 1.10 |
| SMNR4030 -470M | 47 | M | 100KHz/1.0v | 0.570 | 0.95 |
| SMNR4030 -680M | 68 | M | 100KHz/1.0v | 1.100 | 0.72 |
| SMNR4030 -820M | 82 | M | 100KHz/1.0v | 1.280 | 0.66 |
| SMNR4030 -101M | 100 | M | 100KHz/1.0v | 1.480 | 0.60 |
| SMNR4030 -121M | 120 | M | 100KHz/1.0v | 1.700 | 0.55 |

SMNR5020 Series

| Part No. | Inductance (uH) | | | DCR (OHM) Max | Rated DC Current (Amp)Max |
|----------------|-----------------|-------|-------------|---------------|---------------------------|
| | Nominal Value | Tole. | Test Freq. | | |
| SMNR5020 -1R0N | 1.0 | N | 100KHz/1.0v | 0.025 | 4.10 |
| SMNR5020 -1R5N | 1.5 | N | 00KHz/1.0v | 0.032 | 3.80 |
| SMNR5020 -2R2N | 2.2 | N | 100KHz/1.0v | 0.040 | 3.20 |
| SMNR5020 -3R3N | 3.3 | N | 100KHz/1.0v | 0.054 | 2.55 |
| SMNR5020 -4R7N | 4.7 | N | 100KHz/1.0v | 0.074 | 2.40 |
| SMNR5020 -6R8N | 6.8 | N | 100KHz/1.0v | 0.107 | 2.05 |
| SMNR5020 -8R2N | 8.2 | N | 100KHz/1.0v | 0.125 | 1.85 |
| SMNR5020 -100M | 10 | M | 100KHz/1.0v | 0.140 | 1.70 |
| SMNR5020 -120M | 12 | M | 100KHz/1.0v | 0.180 | 1.50 |
| SMNR5020 -150M | 15 | M | 100KHz/1.0v | 0.210 | 1.35 |
| SMNR5020 -220M | 22 | M | 100KHz/1.0v | 0.290 | 1.15 |
| SMNR5020 -330M | 33 | M | 100KHz/1.0v | 0.500 | 0.95 |
| SMNR5020 -470M | 47 | M | 100KHz/1.0v | 0.670 | 0.77 |
| SMNR5020 -680M | 68 | M | 100KHz/1.0v | 1.050 | 0.72 |
| SMNR5020 -820M | 82 | M | 100KHz/1.0v | 1.280 | 0.66 |
| SMNR5020 -101M | 100 | M | 100KHz/1.0v | 1.480 | 0.57 |
| SMNR5020 -121M | 120 | M | 100KHz/1.0v | 1.700 | 0.49 |

MINIATURE SMD CHIP CHOKE COILS

SMNR5040 Series

| Part No. | Inductance (uH) | | | DCR (OHM) Max | Rated DC Current (Amp)Max |
|----------------|-----------------|-------|-------------|---------------|---------------------------|
| | Nominal Value | Tole. | Test Freq. | | |
| SMNR5040 -1R0N | 1.0 | N | 100KHz/1.0v | 0.015 | 4.10 |
| SMNR5040 -1R5N | 1.5 | N | 100KHz/1.0v | 0.020 | 6.50 |
| SMNR5040 -2R2N | 2.2 | N | 100KHz/1.0v | 0.025 | 4.90 |
| SMNR5040 -3R3N | 3.3 | N | 100KHz/1.0v | 0.031 | 3.95 |
| SMNR5040 -4R7N | 4.7 | N | 100KHz/1.0v | 0.039 | 2.50 |
| SMNR5040 -6R8N | 6.8 | N | 100KHz/1.0v | 0.056 | 2.90 |
| SMNR5040 -8R2N | 8.2 | N | 100KHz/1.0v | 0.070 | 2.60 |
| SMNR5040 -100M | 10 | M | 100KHz/1.0v | 0.082 | 2.35 |
| SMNR5040 -120M | 12 | M | 100KHz/1.0v | 0.102 | 2.12 |
| SMNR5040 -150M | 15 | M | 100KHz/1.0v | 0.115 | 2.00 |
| SMNR5040 -220M | 22 | M | 100KHz/1.0v | 0.167 | 1.60 |
| SMNR5040 -330M | 33 | M | 100KHz/1.0v | 0.244 | 1.30 |
| SMNR5040 -470M | 47 | M | 100KHz/1.0v | 0.353 | 1.10 |
| SMNR5040 -680M | 68 | M | 100KHz/1.0v | 0.520 | 0.90 |
| SMNR5040 -820M | 82 | M | 100KHz/1.0v | 0.660 | 0.80 |
| SMNR5040 -101M | 100 | M | 100KHz/1.0v | 0.728 | 0.75 |
| SMNR5040 -121M | 120 | M | 100KHz/1.0v | 0.950 | 0.50 |

SMNR6020 Series

| Part No. | Inductance (uH) | | | DCR (OHM) Max | Rated DC Current (Amp)Max |
|----------------|-----------------|-------|-------------|---------------|---------------------------|
| | Nominal Value | Tole. | Test Freq. | | |
| SMNR6020 -R68N | 0.68 | N | 100KHz/1.0v | 0.022 | 6.55 |
| SMNR6020 -R82N | 0.82 | N | 100KHz/1.0v | 0.023 | 5.30 |
| SMNR6020 -1R0N | 1.0 | N | 100KHz/1.0v | 0.026 | 4.15 |
| SMNR6020 -1R5N | 1.5 | N | 100KHz/1.0v | 0.028 | 4.10 |
| SMNR6020 -1R8N | 1.8 | N | 100KHz/1.0v | 0.036 | 4.05 |
| SMNR6020 -2R2N | 2.2 | N | 100KHz/1.0v | 0.038 | 4.00 |
| SMNR6020 -3R3N | 3.3 | N | 100KHz/1.0v | 0.045 | 3.15 |
| SMNR6020 -3R9N | 3.9 | N | 100KHz/1.0v | 0.060 | 3.10 |
| SMNR6020 -4R7N | 4.7 | N | 100KHz/1.0v | 0.075 | 3.00 |
| SMNR6020 -5R6N | 5.6 | N | 100KHz/1.0v | 0.077 | 2.40 |
| SMNR6020 -6R8N | 6.8 | N | 100KHz/1.0v | 0.100 | 2.20 |
| SMNR6020 -8R2N | 8.2 | N | 100KHz/1.0v | 0.130 | 2.10 |
| SMNR6020 -100M | 10 | M | 100KHz/1.0v | 0.135 | 1.75 |
| SMNR6020 -120M | 12 | M | 100KHz/1.0v | 0.150 | 1.45 |
| SMNR6020 -150M | 15 | M | 100KHz/1.0v | 0.188 | 1.20 |
| SMNR6020 -180M | 18 | M | 100KHz/1.0v | 0.230 | 1.16 |
| SMNR6020 -220M | 22 | M | 100KHz/1.0v | 0.260 | 1.05 |

MINIATURE SMD CHIP CHOKE COILS

SMNR6028 Series

| Part No. | Inductance (uH) | | | DCR (OHM) Max | Rated DC Current (Amp)Max |
|----------------|-----------------|-------|-------------|---------------|---------------------------|
| | Nominal Value | Tole. | Test Freq. | | |
| SMNR6028 -1R0N | 1.0 | N | 100KHz/1.0v | 0.013 | 5.75 |
| SMNR6028 -1R5N | 1.5 | N | 100KHz/1.0v | 0.016 | 5.50 |
| SMNR6028 -2R2N | 2.2 | N | 100KHz/1.0v | 0.026 | 5.10 |
| SMNR6028 -3R3N | 3.3 | N | 100KHz/1.0v | 0.032 | 4.15 |
| SMNR6028 -4R7N | 4.7 | N | 100KHz/1.0v | 0.039 | 3.00 |
| SMNR6028 -6R2N | 6.2 | N | 100KHz/1.0v | 0.061 | 3.05 |
| SMNR6028 -8R2N | 8.2 | N | 100KHz/1.0v | 0.071 | 2.30 |
| SMNR6028 -100M | 10 | M | 100KHz/1.0v | 0.093 | 2.04 |
| SMNR6028 -120M | 12 | M | 100KHz/1.0v | 0.104 | 1.80 |
| SMNR6028 -150M | 15 | M | 100KHz/1.0v | 0.162 | 1.75 |
| SMNR6028 -180M | 18 | M | 100KHz/1.0v | 0.169 | 1.52 |
| SMNR6028 -220M | 22 | M | 100KHz/1.0v | 0.182 | 1.45 |
| SMNR6028 -330M | 33 | M | 100KHz/1.0v | 0.240 | 1.35 |
| SMNR6028 -390M | 39 | M | 100KHz/1.0v | 0.292 | 1.25 |
| SMNR6028 -470M | 47 | M | 100KHz/1.0v | 0.400 | 1.15 |
| SMNR6028 -680M | 68 | M | 100KHz/1.0v | 0.468 | 0.80 |
| SMNR6028 -820M | 82 | M | 100KHz/1.0v | 0.650 | 0.75 |
| SMNR6028 -101M | 100 | M | 100KHz/1.0v | 0.675 | 0.65 |

SMNR6045 Series

| Part No. | Inductance (uH) | | | DCR (OHM) Max | Rated DC Current (Amp)Max |
|----------------|-----------------|-------|-------------|---------------|---------------------------|
| | Nominal Value | Tole. | Test Freq. | | |
| SMNR6045 -1R0N | 1.0 | N | 100KHz/1.0v | 0.014 | 9.85 |
| SMNR6030 -1R5N | 1.5 | N | 100KHz/1.0v | 0.015 | 8.80 |
| SMNR6045 -2R2N | 2.2 | N | 100KHz/1.0v | 0.018 | 6.75 |
| SMNR6045 -3R3N | 3.3 | N | 100KHz/1.0v | 0.027 | 5.90 |
| SMNR6045 -4R7N | 4.7 | N | 100KHz/1.0v | 0.033 | 4.97 |
| SMNR6045 -6R8N | 6.8 | N | 100KHz/1.0v | 0.040 | 3.90 |
| SMNR6045 -100M | 10 | M | 100KHz/1.0v | 0.062 | 3.20 |
| SMNR6045 -150M | 15 | M | 100KHz/1.0v | 0.088 | 2.50 |
| SMNR6045 -220M | 22 | M | 100KHz/1.0v | 0.115 | 2.05 |
| SMNR6045 -330M | 33 | M | 100KHz/1.0v | 0.178 | 1.65 |
| SMNR6045-470M | 47 | M | 100KHz/1.0v | 0.260 | 1.40 |
| SMNR6045-680M | 68 | M | 100KHz/1.0v | 0.375 | 1.20 |
| SMNR6045-820M | 82 | M | 100KHz/1.0v | 0.440 | 1.05 |
| SMNR6045-101M | 100 | M | 100KHz/1.0v | 0.562 | 0.95 |
| SMNR6045-121M | 120 | M | 100KHz/1.0v | 0.628 | 0.85 |
| SMNR6045-151M | 150 | M | 100KHz/1.0v | 0.750 | 0.80 |
| SMNR6045-221M | 220 | M | 100KHz/1.0v | 1.050 | 0.70 |
| SMNR6045-331M | 330 | M | 100KHz/1.0v | 1.650 | 0.57 |

MINIATURE SMD CHIP CHOKE COILS

SMNR8040 Series

| Part No. | Inductance (uH) | | | DCR (OHM) Max | Rated DC Current (Amp)Max |
|----------------|-----------------|-------|-------------|---------------|---------------------------|
| | Nominal Value | Tole. | Test Freq. | | |
| SMNR8040 -1R0N | 1.0 | N | 100KHz/1.0v | 0.010 | 9.85 |
| SMNR8040 -1R5N | 1.4 | N | 100KHz/1.0v | 0.013 | 8.15 |
| SMNR8040 -2R2N | 2.2 | N | 100KHz/1.0v | 0.015 | 7.10 |
| SMNR8040 -3R3N | 3.3 | N | 100KHz/1.0v | 0.022 | 6.50 |
| SMNR8040 -4R7N | 4.7 | N | 100KHz/1.0v | 0.024 | 5.9 |
| SMNR8040 -6R8N | 6.8 | N | 100KHz/1.0v | 0.031 | 4.55 |
| SMNR8040 -8R2N | 8.2 | N | 100KHz/1.0v | 0.033 | 4.20 |
| SMNR8040 -100M | 10 | M | 100KHz/1.0v | 0.037 | 3.60 |
| SMNR8040 -150M | 15 | M | 100KHz/1.0v | 0.061 | 2.95 |
| SMNR8040 -180M | 18 | M | 100KHz/1.0v | 0.068 | 2.70 |
| SMNR8040 -220M | 22 | M | 100KHz/1.0v | 0.089 | 2.40 |
| SMNR8040 -270M | 27 | M | 100KHz/1.0v | 0.101 | 2.15 |
| SMNR8040 -330M | 33 | M | 100KHz/1.0v | 0.126 | 2.05 |
| SMNR8040 -390M | 39 | M | 100KHz/1.0v | 0.139 | 1.95 |
| SMNR8040-470M | 47 | M | 100KHz/1.0v | 0.176 | 1.75 |
| SMNR8040-680M | 68 | M | 100KHz/1.0v | 0.254 | 1.45 |
| SMNR8040 -820M | 82 | M | 100KHz/1.0v | 0.292 | 1.30 |
| SMNR8040-101M | 100 | M | 100KHz/1.0v | 0.377 | 1.15 |
| SMNR8040 -121M | 120 | M | 100KHz/1.0v | 0.434 | 1.12 |
| SMNR8040 -151M | 150 | M | 100KHz/1.0v | 0.553 | 1.10 |
| SMNR8040 -221M | 220 | M | 100KHz/1.0v | 0.778 | 0.85 |
| SMNR8040 -331M | 330 | M | 100KHz/1.0v | 1.155 | 0.68 |

X-ON Electronics

Largest Supplier of Electrical and Electronic Components

Click to view similar products for [Fixed Inductors](#) category:

Click to view products by [SXN](#) manufacturer:

Other Similar products are found below :

[MLZ1608M6R8WTD25](#) [MLZ1608N6R8LT000](#) [MLZ1608N3R3LTD25](#) [MLZ1608N3R3LT000](#) [MLZ1608N150LT000](#)

[MLZ1608M150WTD25](#) [MLZ1608M3R3WTD25](#) [MLZ1608M3R3WT000](#) [MLZ1608M150WT000](#) [MLZ1608A1R5WT000](#)

[MLZ1608N1R5LT000](#) [B82432C1333K000](#) [PCMB053T-1R0MS](#) [PCMB053T-1R5MS](#) [PCMB104T-1R5MS](#) [CR32NP-100KC](#) [CR32NP-](#)

[151KC](#) [CR32NP-180KC](#) [CR32NP-181KC](#) [CR32NP-1R5MC](#) [CR32NP-390KC](#) [CR32NP-3R9MC](#) [CR32NP-680KC](#) [CR32NP-820KC](#)

[CR32NP-8R2MC](#) [CR43NP-390KC](#) [CR43NP-560KC](#) [CR43NP-680KC](#) [CR54NP-181KC](#) [CR54NP-470LC](#) [CR54NP-820KC](#) [CR54NP-8R5MC](#)

[MGDQ4-00004-P](#) [MGDU1-00016-P](#) [MHL1ECTTP18NJ](#) [MHL1JCTTD12NJ](#) [PE-51506NL](#) [PE-53601NL](#) [PE-53630NL](#) [PE-53824SNLT](#) [PE-](#)

[62892NL](#) [PE-92100NL](#) [PG0434.801NLT](#) [PG0936.113NLT](#) [PM06-2N7](#) [PM06-39NJ](#) [HC2LP-R47-R](#) [HC2-R47-R](#) [HC3-2R2-R](#) [HC8-1R2-R](#)