

MODEL TLH-5935

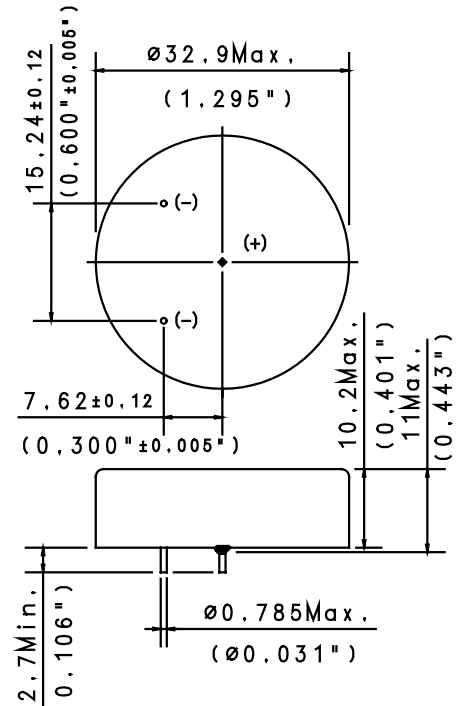
International size reference: 1/6D, ER32L100

TECHNICAL DATA

(Typical values @+25°C for batteries stored for one year or less)

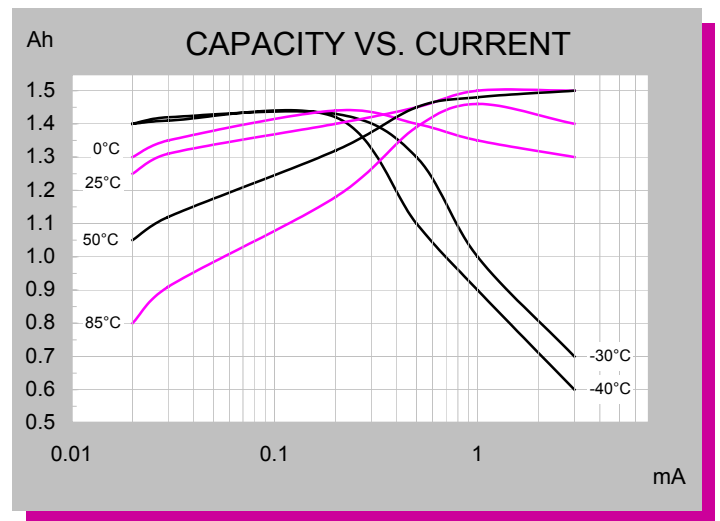
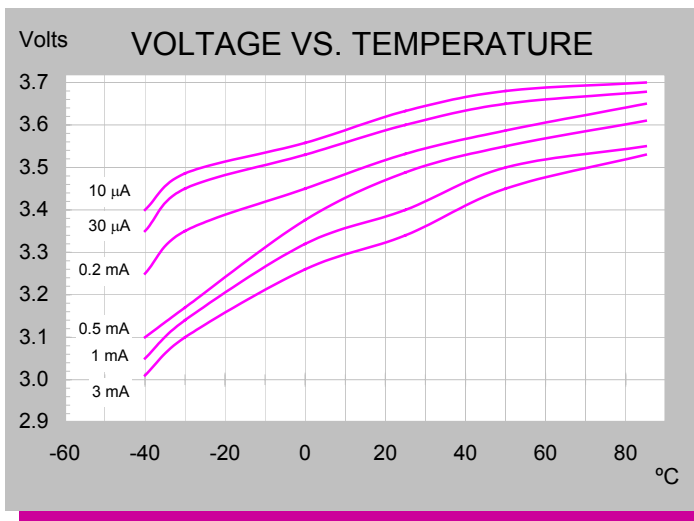
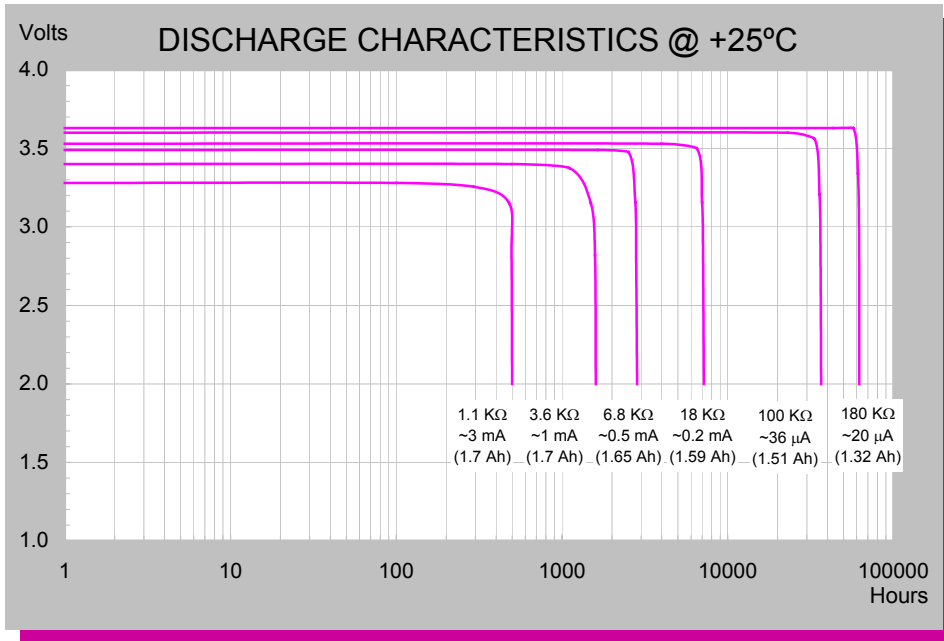
■ Nominal capacity @ 1 mA, to 2 V	1.5 Ah
■ Rated voltage	3.6 V
■ Maximum recommended continuous current	10 mA
■ Maximum pulse current capability	50 mA
■ Weight	21 g (0.74 oz)
■ Volume	8.2 cc
■ Operating temperature range	-55 °C to +125 °C
■ Li metal content	approx. 0.5 g
■ U.L. Component Recognition, MH 12193	

TADIRAN LITHIUM BATTERIES



ORDERING NO.

TERMINAL MATERIAL : TIN PLATED NICKEL
CATALOGUE NO. : 15-5935-41505



Extended Operating Range

Note: Any presentations in this data sheet concerning performance are for information purpose only and are not construed as warranties either expressed or implied, of future performance.

ECN 1501187 Rev. A 01/06

X-ON Electronics

Largest Supplier of Electrical and Electronic Components

Click to view similar products for [Electronic Battery](#) category:

Click to view products by [Tadiran](#) manufacturer:

Other Similar products are found below :

[R88A-BAT02W](#) [TL-5104/SBP](#) [E300781900](#) [E300782100](#) [BR-435/BN](#) [B73180A0101M199](#) [13299-0001](#) [R88A-BAT01G](#) [R88A-BAT01W](#)
[M4T32-BR12SH6](#) [LR03AD/4P](#) [13331-0001](#) [3G2A9BAT08](#) [LR03AD/B](#) [LR20AD/B](#)