



**Chip Resistor Arrays
(Lead-Free for CNF24 Series)
Halogen-Free**

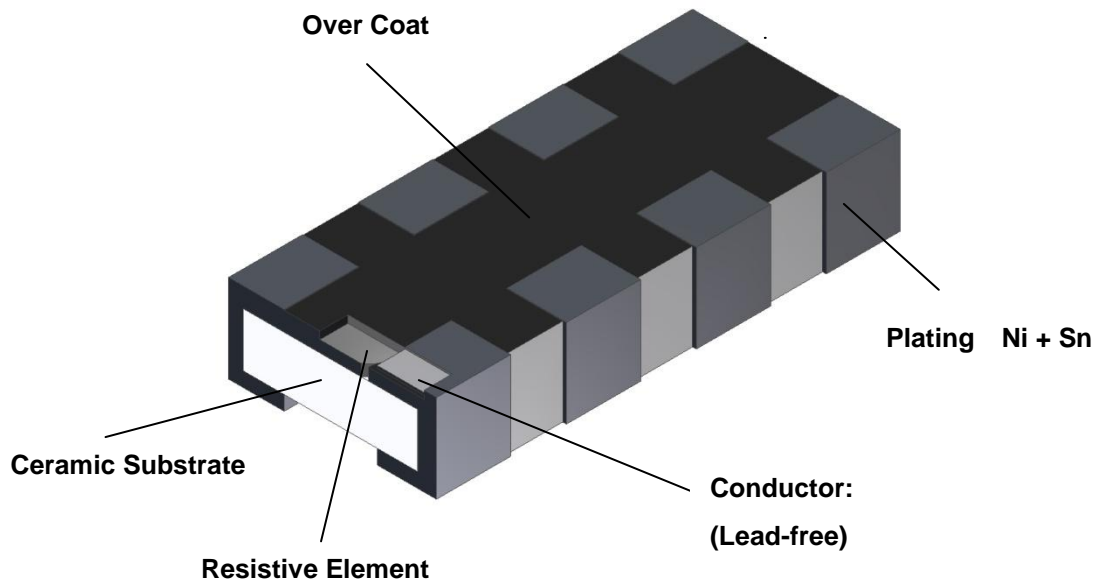
Document No.	TCNF-240S001C
Revise Date	2020/04/15
page number	1/9

1. Scope :

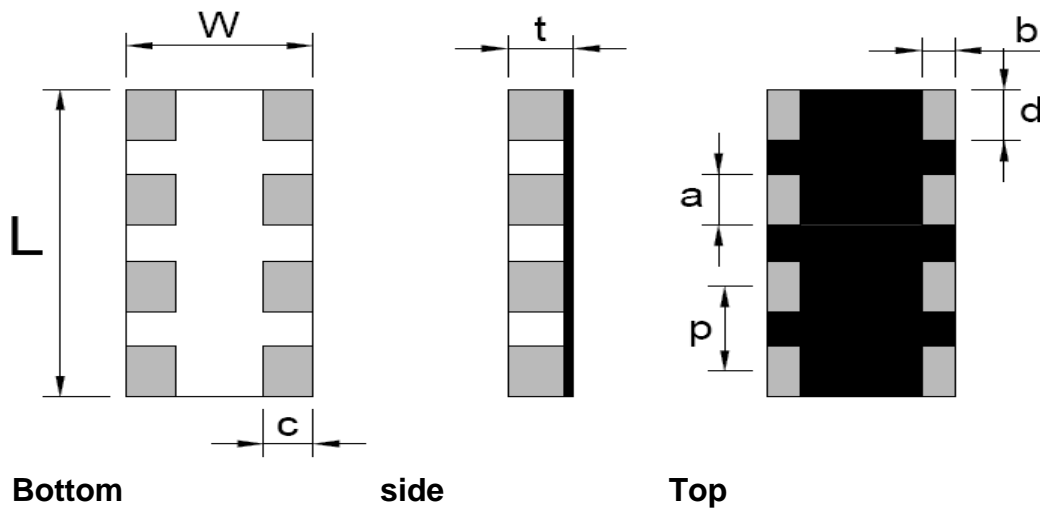
This specification applies for the CNF24 series of chip resistor arrays made by TA-I.

2. Construction , Dimensions , Schematic :

2.1 Construction :



2.2 Dimension :



UNIT:mm

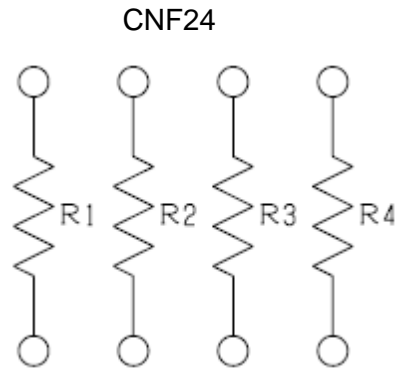
Type	L	W	t	P	a	b	c	d
CNF24	2.0 ± 0.1	1.0 ± 0.1	0.4 ± 0.1	0.5 ± 0.05	0.3 ± 0.1	0.15 ± 0.1	0.25 ± 0.1	0.4 ± 0.1



**Chip Resistor Arrays
(Lead-Free for CNF24 Series)
Halogen-Free**

Document No.	TCNF-240S001C
Revise Date	2020/04/15
page number	2/9

2.3 Schematic



R1=R2=R3=R4

3. Type Designation:

3.1 Chip Resistor Arrays

CNF

24

J

TA

103

Product Code
CNF : Chip Resistor Array

size
Power Rating

Tolerance

Packaging

Nominal Resistance

24-0402*4

J-±5%
G-±2%
F-±1%

T- Paper Tape
A: Totally Lead free+
Anti-Sulfurated

3 digits e.g.,:
(E-24) 103 = 10KΩ
5R6 = 5.6Ω
4 digits e.g., :
(E-96) 1540 = 154Ω
43R2 = 43.2Ω



**Chip Resistor Arrays
(Lead-Free for CNF24 Series)
Halogen-Free**

Document No.	TCNF-240S001C
Revise Date	2020/04/15
page number	3/9

4. Ratings & Characteristics :

Type	Power Rating at 70°C	Rating Voltage	Max. Working Voltage	Max. Over Load Voltage	Operating Temp. (°C)	Resistance Tolerance (%)	Resistance Range (Ω)	Temp Co-efficient PPM/°C
CNF24	1/16W	Refer 4.2	25V	50V	-55 ↓ +125°C	±5%	101 Ω ~ 1M Ω	±250
						±2%	10~100 Ω	±200
						±1%	3.0 Ω ~ 9.1 Ω	±200

0Ω THICK FILE CHIP RESISTOR ARRAYS			
Type	Rate Current	Max Overload Current	Resistance Range
CNF 24	1A	2.5A	50mΩ MAX

4.1 Derating Curve :

For resistors operated at ambient temperature over 70°C , power rating shall be derated in accordance with figure 1.

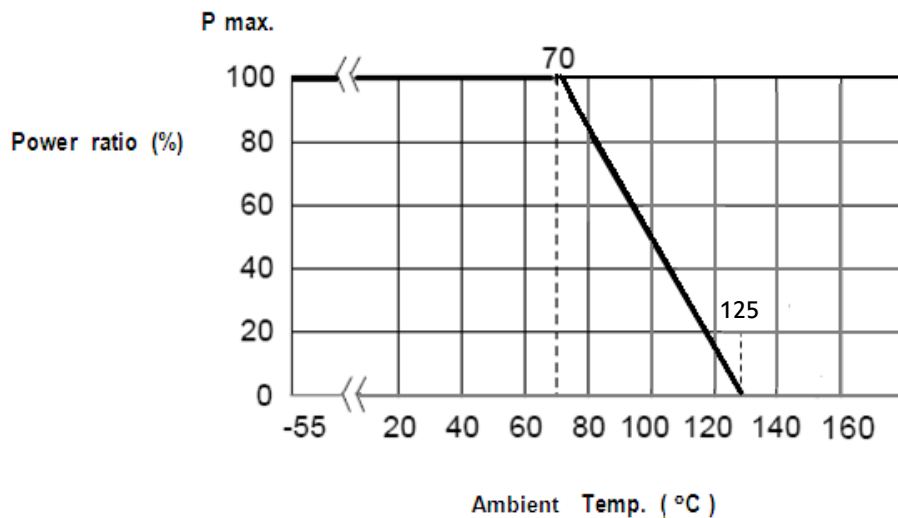


Figure 1

4.2 Rated Voltage:

The rated voltage is calculated by the following formula:

$$E = \sqrt{P * R}$$

E=Rated Voltage(V)
 P=Rated Power(W)
 R=Resistance Value(Ω)

E.G. : What is CNF24JTA102 the rated voltage ?

CNF24JTA102 P:1/16W ; R:102 = 1KΩ = 1000Ω

$$E = \sqrt{0.0625(W) * 1000(\Omega)} = 7.9 (V)$$



**Chip Resistor Arrays
(Lead-Free for CNF24 Series)
Halogen-Free**

Document No.	TCNF-240S001C
Revise Date	2020/04/15
page number	4/9

5. Reliability Tests:

Test Items	Reference standard	Condition of Test	Test Limits (ΔR)
Temperature Coefficient of Resistance	IEC60115-1-4.8 JIS-C5201-1-4.8	-55~ +125 °C	Refer 4.0
Short Time Overload	IEC60115-1-4.13 JIS-C5201-1-4.13	2.5 X rated voltage for 5 sec	$\pm(2.0\%+0.1\Omega)$ 0Ω : 50 mΩ or less
Intermittent Overload	IEC60115-1-4.39 JIS-C5201-1-4.39	2.5X rated voltage or Max Overloading Voltage , 1 sec "ON" 25 sec "OFF" , 10000 cycles	$\pm(5.0\%+0.1\Omega)$ 0Ω : 50mΩ or less
Load Life	IEC60115-1-4.25.1 JIS-C5201-1-4.25.1	1000 hours at rated voltage , 70°C , 1.5hours "ON " , 0.5hour "OFF"	1%: $\pm(1.0\%+0.05\Omega)$ 5%: $\pm(3.0\%+0.1\Omega)$ 0Ω :100 mΩ or less
Load Life with Humidity	IEC60115-1-4.24 JIS-C5201-1-4.24	1000 hours at rated voltage , 40±2°C, 90~95% RH 1.5hours "ON " , 0.5hour "OFF"	1%: $\pm(1.0\%+0.05\Omega)$ 5%: $\pm(3.0\%+0.1\Omega)$ 0Ω :100 mΩ or less
Rapid Change of Temperature	IEC60115-1-4.19 JIS-C5201-1-4.19	-55°C (30 min.) / +155 °C (30 min.) 5 cycles	1%: $\pm(0.5\%+0.05\Omega)$ 5%: $\pm(1.0\%+0.05\Omega)$ 0Ω :50 mΩ or less
Solderability	IEC60115-1-4.17 JIS-C5201-1-4.17	245±5°C solder, 2±0.5 sec dwell. Solder : Sn96.5 / Ag3.0 / Cu0.5	At least 95% of surface area of electrode shall be covered with new solder.
Core body	IEC60115-1-4.15 JIS-C5201-1-4.15	Pressure 1.0 kgf a R0.5 pressure rod for 10 sec	Without mechanical damage such as breaks. Electrical characteristics shall be satisfied
Dielectric Withstanding Voltage (Voltage Proof)	IEC60115-1-4.7 JIS-C5201-1-4.7	Applying voltage 100V for 1 minute.	No abnormalities such as flashover, burning dielectric breakdown shall appear.
Resistance to Solder Heat	IEC60115-1-4.18 JIS-C5201-1-4.18	270 ±5°C solder , 10 ±1 sec dwell .	0.5%,1%: $\pm(1.0\%+0.05\Omega)$ 2%,5%: $\pm(2.0\%+0.1\Omega)$ 0Ω : 50mΩ or less
Sulfuration Test	ASTM-B-809-95	Sulfur (Sulfur Vapor) 1,000 hours,105±2°C, unpowered	$\pm(2\%+0.05\Omega)$

Note* : RCWV : Rated continuous working voltage .



**Chip Resistor Arrays
(Lead-Free for CNF24 Series)
Halogen-Free**

Document No. TCNF-240S001C

Revise Date 2020/04/15

page number 5/9

6. Marking

6.1 ±5% (E24)

Resistance value is expressed by 3 digits, the first two digits represent the significant figures of nominal resistance value in Ω , and the third digit represents exponent for base of 10.

E.G. $472 = 47 \times 10^2 = 4700 \Omega = 4.7K \Omega$

6.2 ±1% (E96)

Resistance value is expressed by 4 digits, the first three digits represent the significant figures of nominal resistance value in Ω , and the fourth digit represents exponent for base of 10.

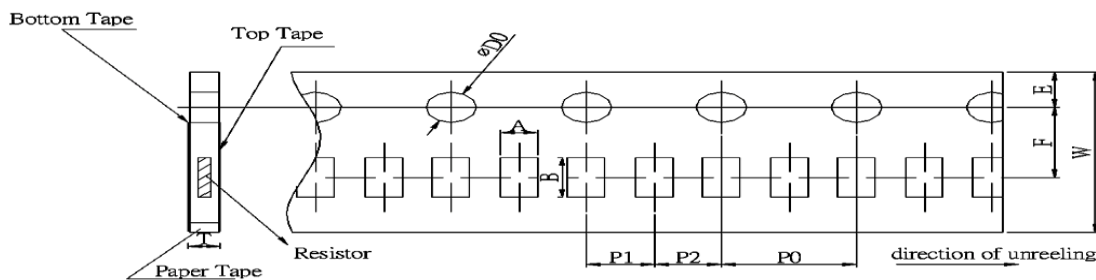
E.G. $4701 = 470 \times 10^1 = 4700 \Omega = 4.7k \Omega$

7. Taping & Reel

7.1 Taping Dimensions

7.1.1 2 mm pitch paper

UNIT: mm



Type	A	B	W	F	E	P1	P2	P0	$\phi D0$	T0
CNF24	1.2±0.15	2.2±0.2	8.0±0.2	3.5±0.05	1.75±0.1	2.0±0.1	2.0±0.05	4.0±0.1	1.5 +0.1 -0	0.64±0.1

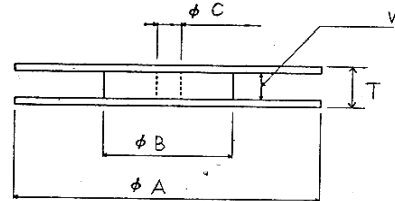
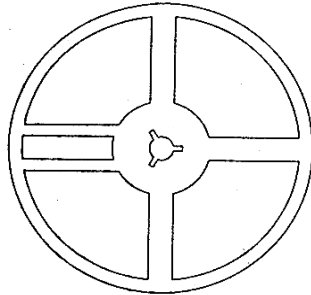
Package Type	Paper Tape
	2 mm pitch
	178mm/R
CNF24	10000



**Chip Resistor Arrays
(Lead-Free for CNF24 Series)
Halogen-Free**

Document No.	TCNF-240S001C
Revise Date	2020/04/15
page number	6/9

7.2 Reel Specifications:

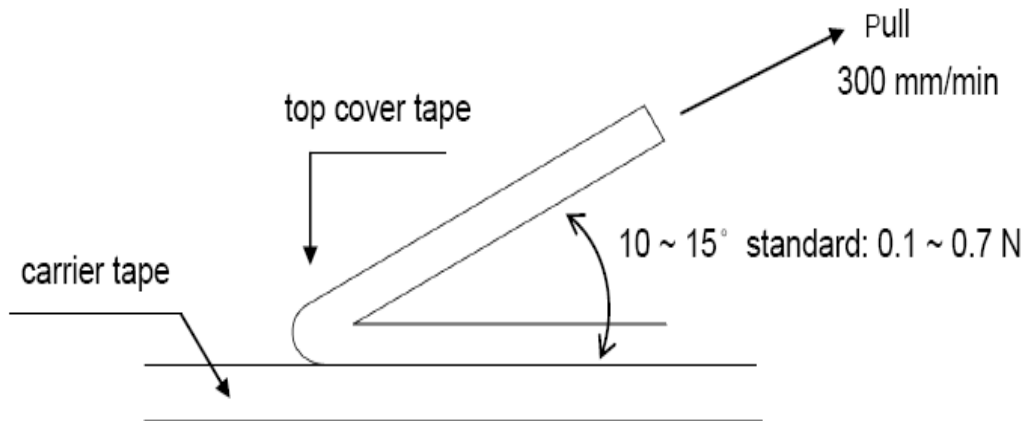


UNIT: mm

Type	ϕA	ϕB	ϕC	W	T
CNF24	178.0 ± 2.0	60.0 ± 1.0	13.0 ± 1.0	9.0 ± 1.0	11.5 ± 1.0

7.3 Peel off Strength:

Peel –off force of paper and blister tape is in accordance with “JIS-C5202” that is , 0.1 to 0.7 N at a peel-off speed of 300 mm / minute.





**Chip Resistor Arrays
(Lead-Free for CNF24 Series)
Halogen-Free**

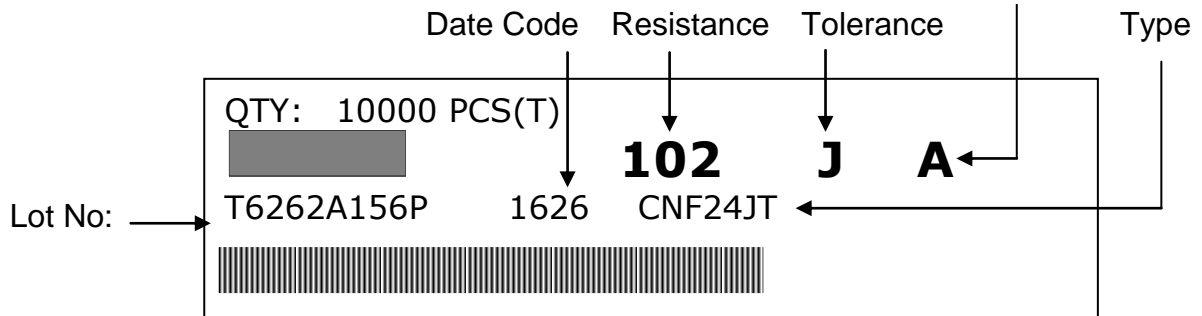
Document No.	TCNF-240S001C
Revise Date	2020/04/15
page number	7/9

8. Label

8.1 Manufacture Label :

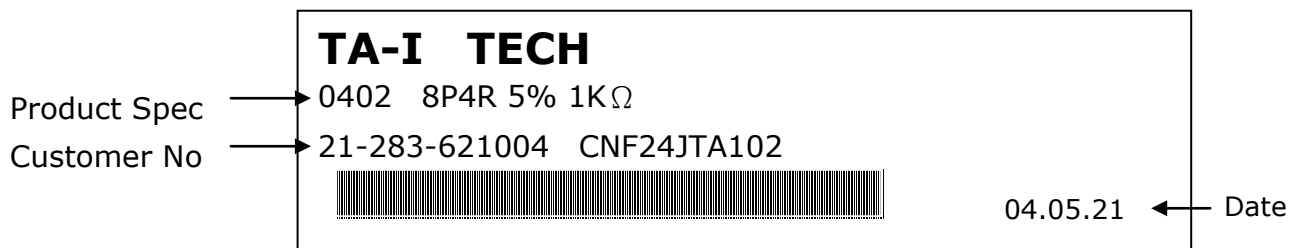
8.1.1 Chip Resistor Array

Totally Lead free +
Anti-Sulfurated

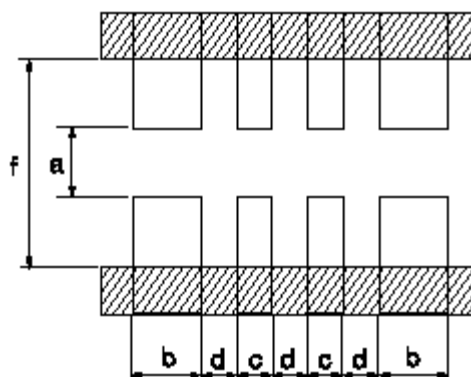


8.2. Customer Label (By customer request) :

8.2.1 Chip Resistor Array



9. Recommended land patterns



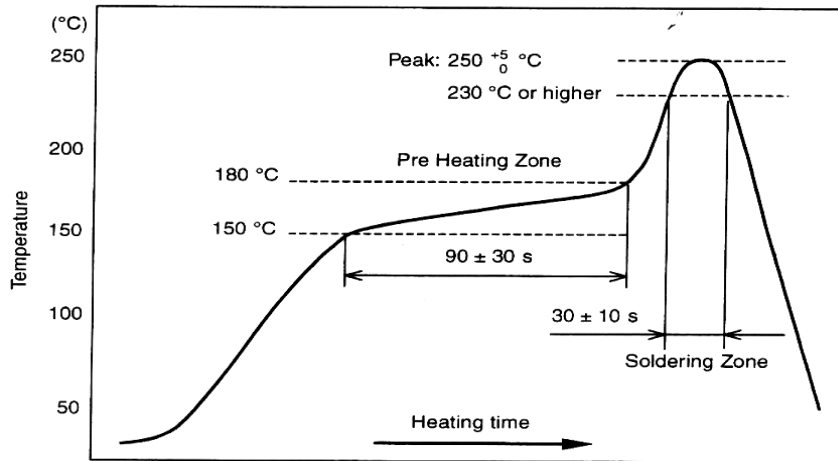
Land pattern		Dimension (mm)				
		a	b	c	d	f
Type	Size					
CNF	24	0.4	0.525	0.25	0.25	1.4



**Chip Resistor Arrays
(Lead-Free for CNF24 Series)
Halogen-Free**

Document No.	TCNF-240S001C
Revise Date	2020/04/15
page number	8/9

10. Recommend IR – Reflow profile : (solder : Sn96.5 / Ag3 / Cu0.5)



Peak : $250 \pm 5^{\circ}\text{C}$, 5 sec
- 0

Pre – heat Zone : 150 to 180 °C , 90 ± 30 sec

Soldering Zone : 230°C or higher , 30 ± 10 sec

11. Storage Conditions:

Temperature : 5 to 35 °C
Related Humidity :40 to 75% RH

12. Shelf Life :

2 Years from manufacturing date.

13. ECN :

Engineering Change Notice: The customer will be informed with ECN if there is significant modification on the characteristics and materials described in Approval Sheet.



**Chip Resistor Arrays
(Lead-Free for CNF24 Series)
Halogen-Free**

Document No.	TCNF-240S001C
Revise Date	2020/04/15
page number	9/9

14. Manufacturing Country & City :

TA-I TECHNOLOGY CO., LTD. (Taiwan– Tao Yuan)

Tel: 886-3-3246169 Fax : 886-3-3246167

Associated companies :

(1) FORTUNE TASK RESISTOR FACTORY (China – Dongguan)

Tel : 86-769-8339-4790~3 Fax : 86-769-8339-4794

(2) TA-I TECHNOLOGY (DONGGUAN) CO., LTD. (China –Dongguan)

Tel : 86-769-8339-4790~3 Fax : 86-769-8339-4794

(3) TA-I TECHNOLOGY (SU ZHOU) CO., LTD. (China – Su Zhou)

Tel :86- 512-63457879 Fax : 86-512-63457869

(4) TAI OHM ELECTRONICS (M) SDN. BHD. (Malaysia –Penang)

Tel :604- 3900480 Fax : 604-3901481

(5) P.T.TAI ELECTRONICS Indonesia (Indonesia – Jakarta)

Tel : 62-21-89830123 Fax : 62-21-89830703

X-ON Electronics

Largest Supplier of Electrical and Electronic Components

Click to view similar products for [Resistor Networks & Arrays](#) category:

Click to view products by [TA-I Tech](#) manufacturer:

Other Similar products are found below :

[CSC06A0122K0GEJ](#) [M8340105M4700JGD03](#) [M8340106M2002GCD03](#) [M8340107K1471FGD03](#) [M8340107K2261FGD03](#)
[M8340107M1501GGD03](#) [M8340108K1001FCD03](#) [M8340108K2402GGD03](#) [M8340108K3240FGD03](#) [M8340108K3242FGD03](#)
[M8340108K3743FGD03](#) [M8340108K4991FGD03](#) [M8340108K6192FGD03](#) [M8340108K6202GGD03](#) [M8340109K2002FCD03](#)
[M8340109M4701GCD03](#) [M8340109MA010GHD03](#) [EXB-24N121JX](#) [EXB-24N330JX](#) [EXB-24N470JX](#) [744C083101JTR](#) [EXB-U14360JX](#)
[EXB-U18240JX](#) [744C083270JTR](#) [745C102472JP](#) [745X101103JP](#) [767161104G](#) [MDP1603100KGE04](#) [770101223](#) [MNR04M0APJ471](#)
[MNR14E0APJ100](#) [MNR18E0APJ102](#) [MNR18E0APJ680](#) [ACAS06S0830339P100](#) [ACAS06S0830343P100](#) [ACAS06S0830344P100](#)
[RAVF164DJT68K0](#) [RM2012A-102/104-PBVW10](#) [RM2012A-102503-PBVW10](#) [RM2012A-502104-PBVW10](#) [NRSN04I4J220TRF](#)
[NRSNA4I4J330TRF](#) [8B472TR4](#) [ACAS06S0830341P100](#) [ACAS06S0830342P100](#) [ACAS06S0830345P100](#) [EXB-18N390JX](#) [EXB-U14220JX](#)
[EXB-U14470JX](#) [EXB-U18330JX](#)