

# Specification for Approval

Date: 2021/12/27

Customer : 立创

---

TAI-TECH P/N: HCE1012GH900BP

---

CUSTOMER P/N: \_\_\_\_\_

---

DESCRIPTION: \_\_\_\_\_

---

QUANTITY: \_\_\_\_\_

---

REMARK:	
Customer Approval Feedback	

西北臺慶科技股份有限公司  
**TAI-TECH Advanced Electronics Co., Ltd**

代理商:  
 深圳市天诚科技有限公司  
 Shenzhen TsaSun Technology Co., Ltd.  
 Room 209, 2/F, Block A, Tengfei Industrial Building, No.6,  
 Taohua Road, Futian District, Shenzhen  
 TEL: 0755-8335 8885 / 0755-8335 9885  
 E-mail: sales@tsasun.com  
 www.tsacoil.com

Sales Dep.

APPROVED	CHECKED
夏晓曼	夏晓曼

西北臺慶科技股份有限公司  
 TAI-TECH Advanced Electronics Co., Ltd  
Headquarter:  
 NO.1 YOU 4TH ROAD, YOUTH INDUSTRIAL DISTRICT, YANG-MEI,  
 TAO-YUAN HSIEN, TAIWAN, R.O.C.  
 TEL: +886-3-4641148 FAX: +886-3-4643565  
 http://www.tai-tech.com.tw  
 E-mail: sales@tai-tech.com.tw

臺慶精密電子(昆山)有限公司  
 TAI-TECH ADVANCED ELECTRONICS(KUNSHAN) CO., LTD  
 SHINWHA ROAD, KUNJIA HI-TECH INDUSTRIAL PARK, KUN-SHAN,  
 JIANG-SU, CHINA  
 TEL: +86-512-57619396 FAX: +86-512-57619688  
 E-mail: hui@tai-tech.com.tw

R&D Center

APPROVED	CHECKED	DRAWN
羅宜春	梁周虎	卜文娟

# HCE1012GH900 (Chip Common Mode Filter plus ESD function) Engineering Specification



## Features and Application

- Powerful components with composite co-fired material to solve EMI problem for high speed differential signal transmission line as USB, and LVDS, without distortion to high speed signal transmission.
- Common mode filter plus ESD function.
- MIPI, MHL serial interface in mobile device.

## 1.PRODUCT DETAIL

Part No.	Imp. Com. (Ω)±25% @100MHz	DCR Max. (Ω)	Rated Current Max. (mA)	Rated Voltage (V)	Insulation Resistance Min. (MΩ)	Capacitance @0.5V 1MHz Max(pF)	Leakage Current @5V Max(μA)	Trigger Voltage Typ. (V)	Clamping Voltage Typ. (V)
HCE1012GH 900BP	90	1.5	100	10	100	1.3	1	400	50
•Meet IEC61000-4-2 level 4: Contact Discharge 8KV · Air Discharge 15KV									
Test Instruments	•Agilent E4991A RF IMPEDANCE / MATERIAL ANALYZER •HP4338A/B MILLIOHMMETER •Agilent E5071C S-PARAMETER NETWORK ANALYZER •HP6632B SYSTEM DC POWER SUPPLY •Keithley 2410 1100V SOURCE METER								

## 2.PART NUMBER CODE

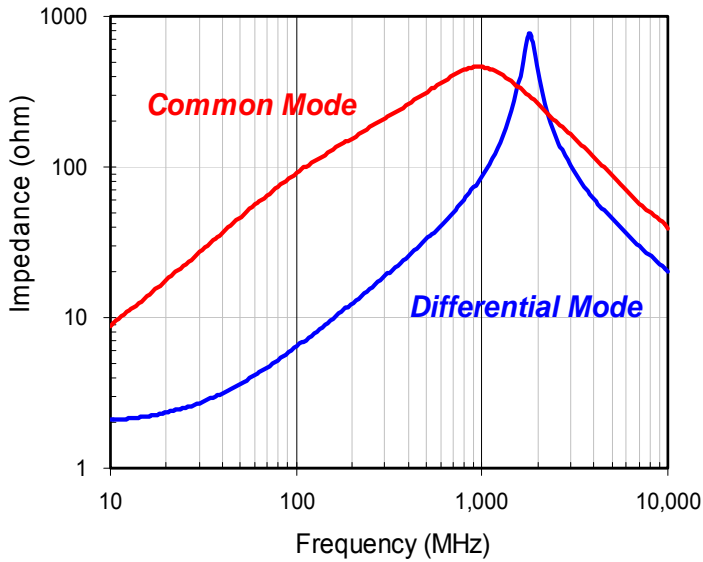
HCE 1012 G □ 90 0 □ P  
 1      2      3      4      5      6      7      8

- 1 : Series name
- 2 : Dimensions L\*W
- 3 : Material code
- 4 : Product identification number
- 5 : Impedance value
- 6 : Fixed decimal point (ex : 900=90Ω)
- 7 : INPAQ internal code
- 8 : Packaging style
- P - Embossed paper tape, 7" reel

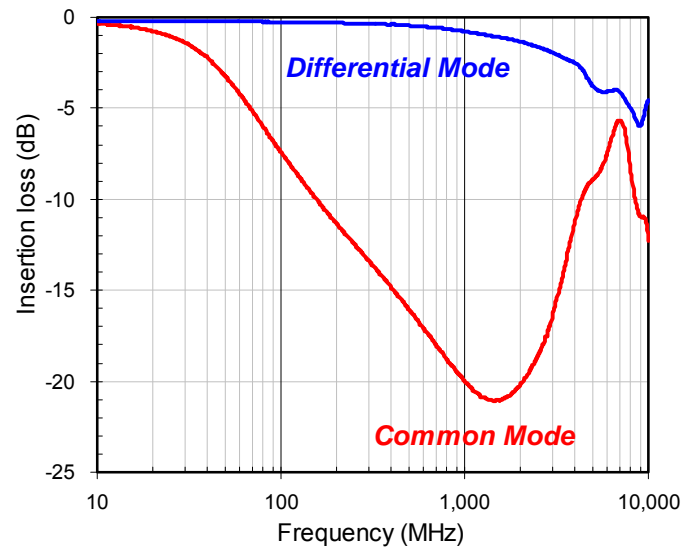
### 3.TYPICAL CHARACTERISTIC

#### HCE1012GH900

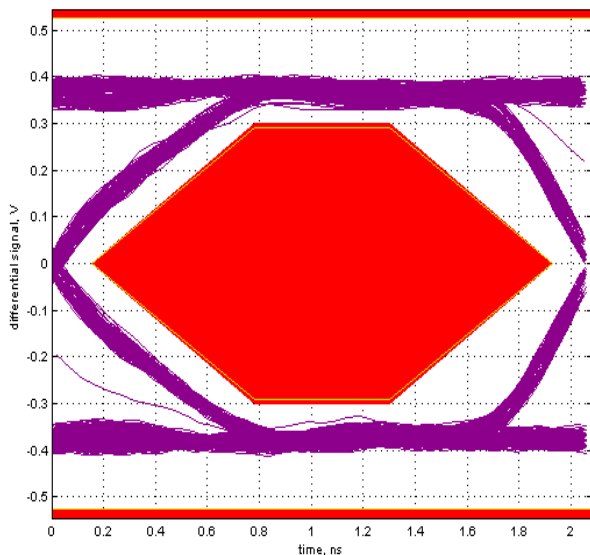
IMPEDANCE vs. FREQUENCY CHARACTERISTICS



INSERTION LOSS vs. FREQUENCY CHARACTERISTICS

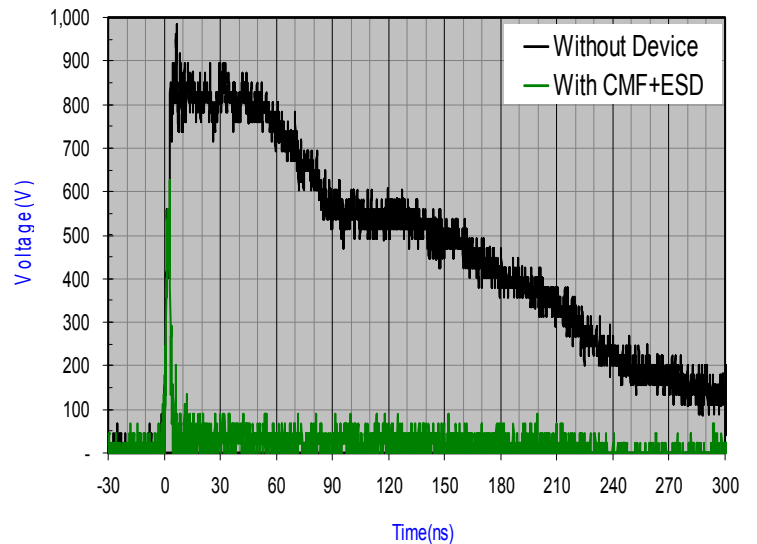


Eye pattern USB 2.0 high speed

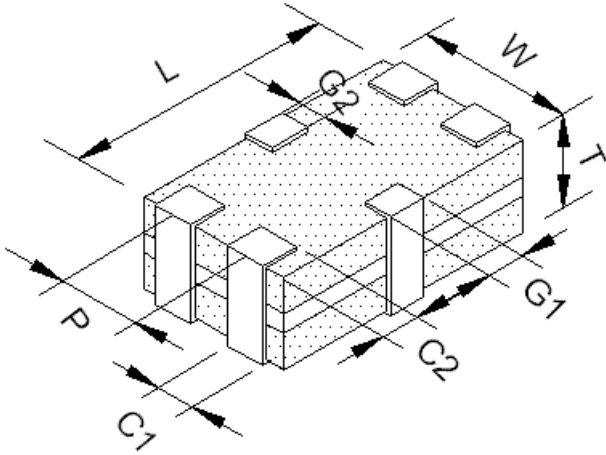


ESD Wave forms

IEC 8KV\_ESD Contact

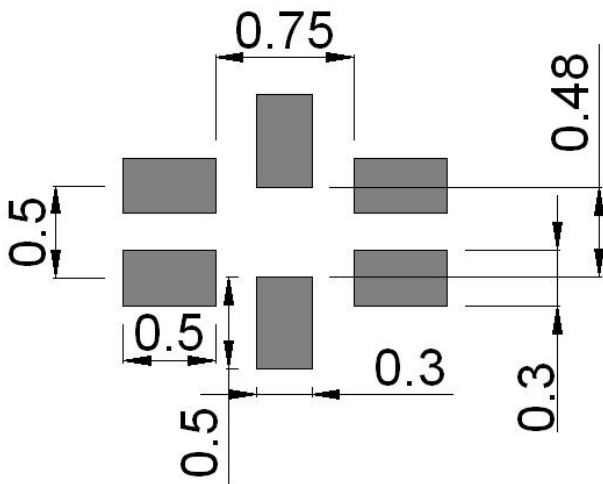
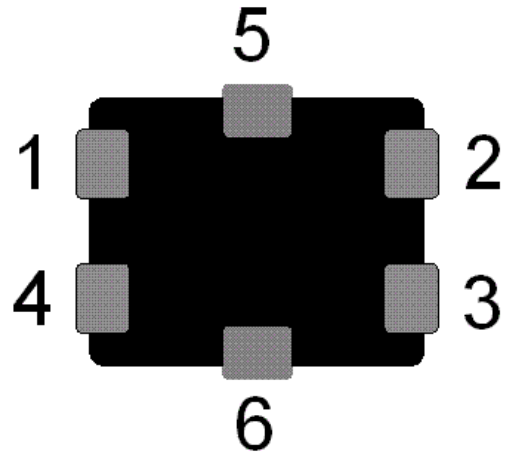
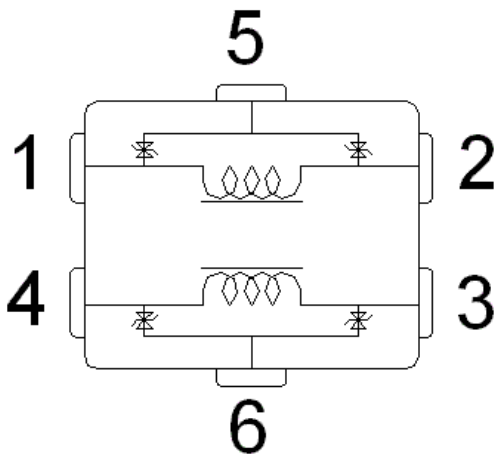


4. SHAPES AND DIMENSIONS



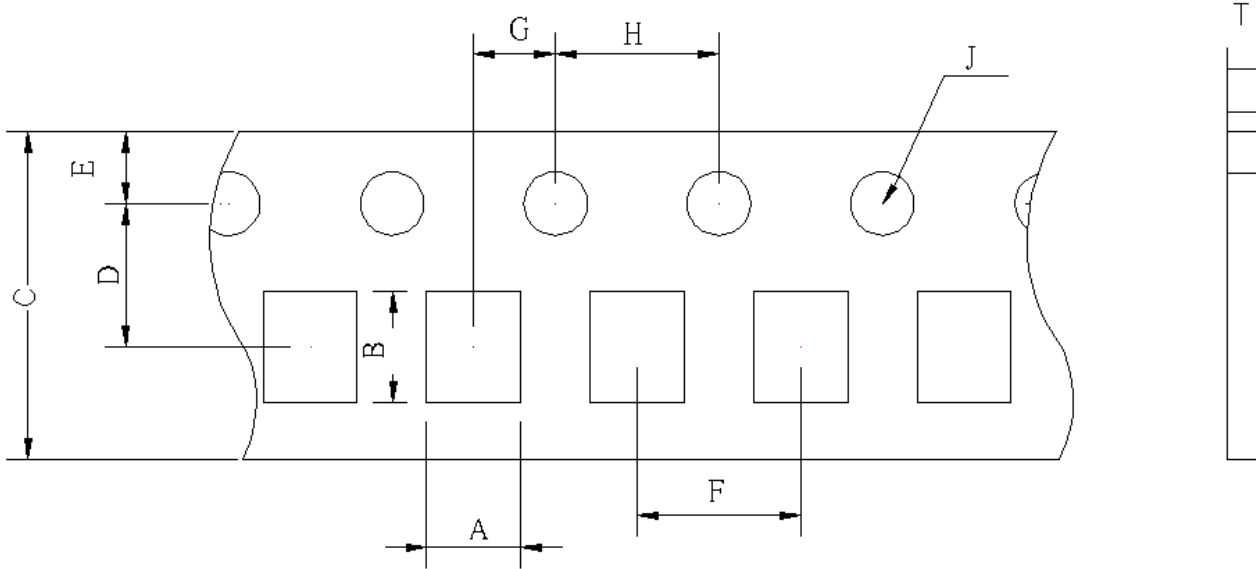
TYPE	Dimension
L	1.25±0.10
W	1.00±0.10
T	0.60±0.10
P	0.50±0.10
C1	0.30±0.10
C2	0.20±0.15
G1	0.30±0.15
G2	0.20±0.15
Unit : mm	

5. CIRCUIT CONFIGURATION & LAYOUT PAD



6.TAPE AND REEL SPECIFICATIONS/ TAPING DIMENSIONS

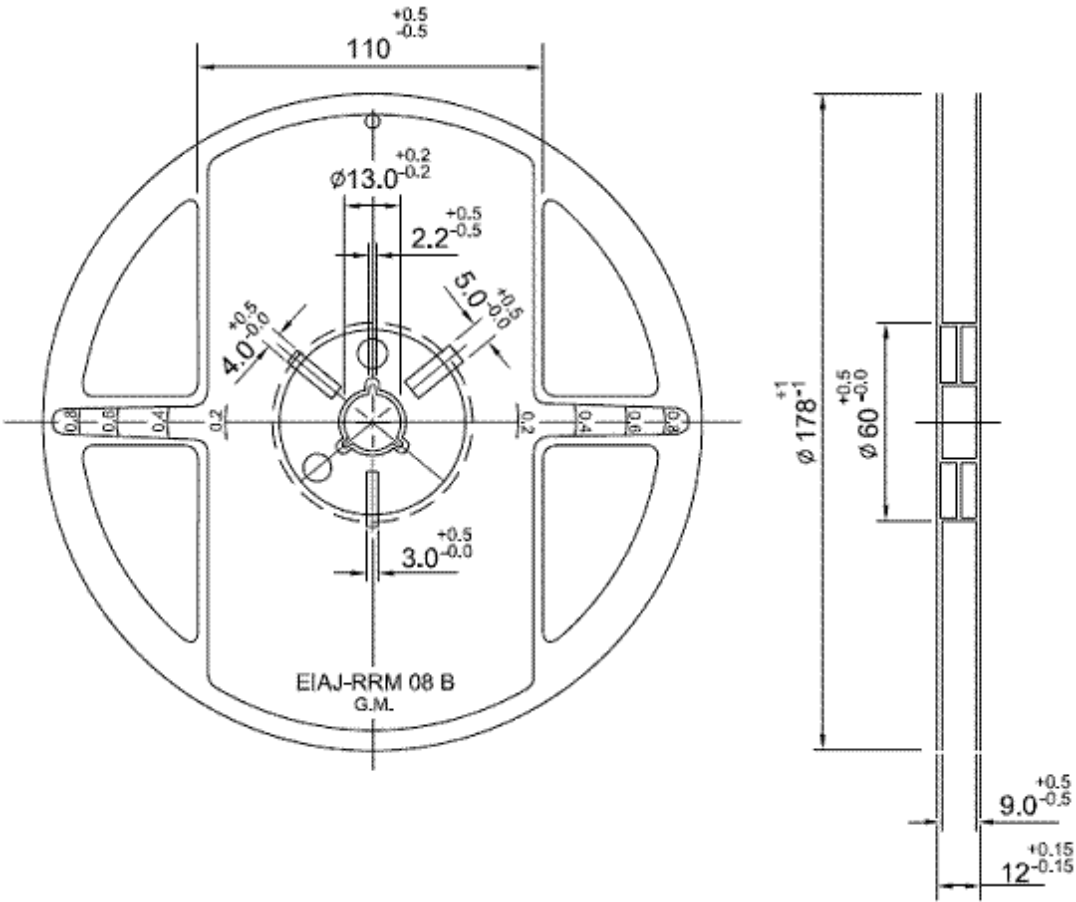
Type : Paper Carrier



Unit : mm

Symbol	Size	Symbol	Size
C	8.00±0.10	H	4.00±0.10
D	3.50±0.05	J	Φ1.55±0.05
E	1.75±0.05	T	0.75±0.03
F	4.00±0.10	A	1.20±0.05
G	2.00±0.05	B	1.45±0.05

7. REEL DIMENSIONS



Unit : mm

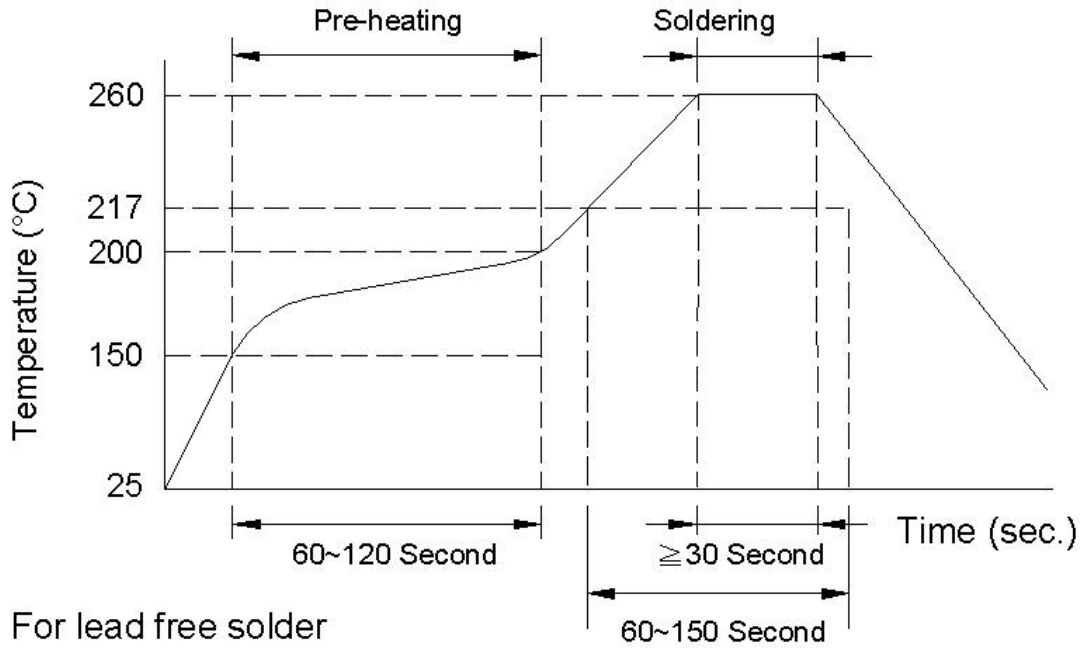
8. STANDARD QUANTITY FOR PACKAGING

Packaging style : Taping

Reel packaging quantity : 4000 pcs/reel

Inner box : 5 reel/inner box

9.RECOMMENDED SOLDERING CONDITIONS



10.GENERAL TECHNICAL DATA

Operating temperature range : - 40°C ~ +85°C

Storage Condition : Less than 40°C and 70% RH

Storage Time: 6 months Max.

Soldering method: Reflow or Wave Soldering

11.NOTE

All the products in this specification comply with RoHS 1.0 directive.

## X-ON Electronics

Largest Supplier of Electrical and Electronic Components

*Click to view similar products for [Common Mode Chokes / Filters](#) category:*

*Click to view products by [Tai-Tech](#) manufacturer:*

Other Similar products are found below :

[74279408](#) [PE-62911NL](#) [PE-64683](#) [RD5122-6-9M6](#) [RGCMF1210900H3T](#) [ST6118T-R](#) [FE3X025-10-7NL](#) [T8114NLT](#) [RD5122-10-6M0](#)  
[TCM0806G-350-2P-T](#) [TCM0806G-650-2P-T](#) [IND-0110](#) [UAL21VR0802000](#) [UALSC023000000](#) [UALSC1020JH000](#) [UALSC1520JH000](#)  
[UALSU10VR15019](#) [UALSU9VD070100](#) [36-00037](#) [5701610000](#) [UALW21HS200290](#) [UALW21HS072450](#) [UALSU9HF050500](#)  
[UALSU9H0208000](#) [UAL24VK06450CH](#) [PLT10HH501100PNB](#) [PLT10HH401100PNB](#) [PLT10HH1026R0PNB](#) [PE-67531](#) [TLH10UB 113](#)  
[OR5](#) [2752045447](#) [CMS3-11-R](#) [7351V](#) [7408-RC](#) [CMF16-153131](#) [744252510](#) [T8116NLT](#) [CMS2-10-R](#) [DLW44SN101SK2L](#) [FE2X10-4-2NL](#)  
[744253200](#) [744253101](#) [744252220](#) [TX8111NLT](#) [UAL30VR3500470](#) [CTX01-19077-R](#) [T8003NLT](#) [CTX01-13663](#) [CTX66-19521-R](#)  
[7446630047](#)