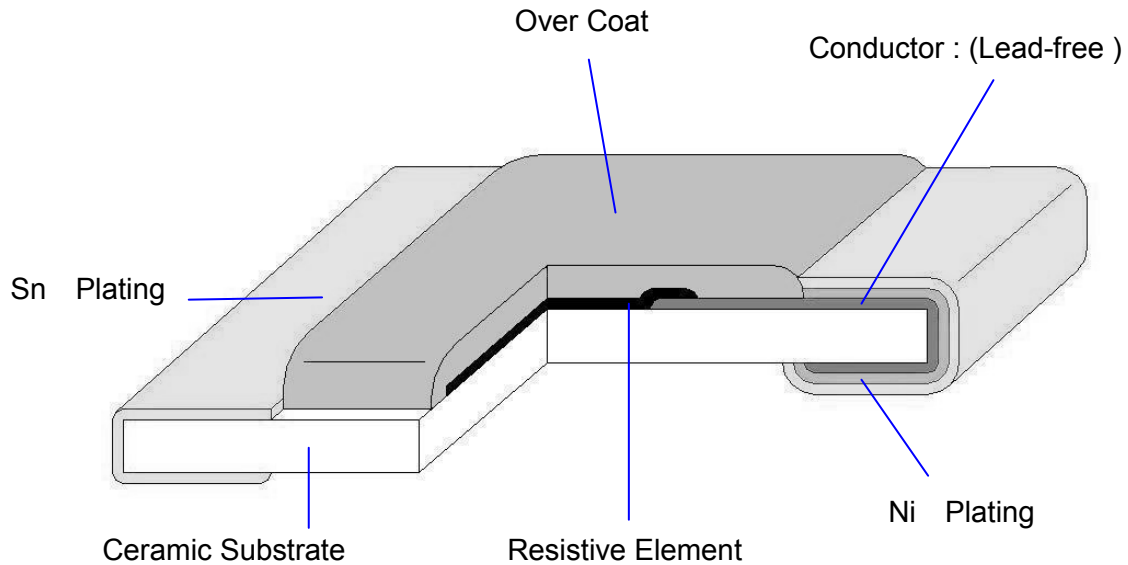


### 1. Scope :

This specification applies for the RL series of alloy film chip resistors made by TA-I.

### 2. Construction :



### 3. Type Designation :

**RL**

Product Code  
RL : Chip Resistor

**10**

Size  
Power Rating

**F**

Tolerance

**TN**

Packaging

**R100**

Nominal  
Resistance

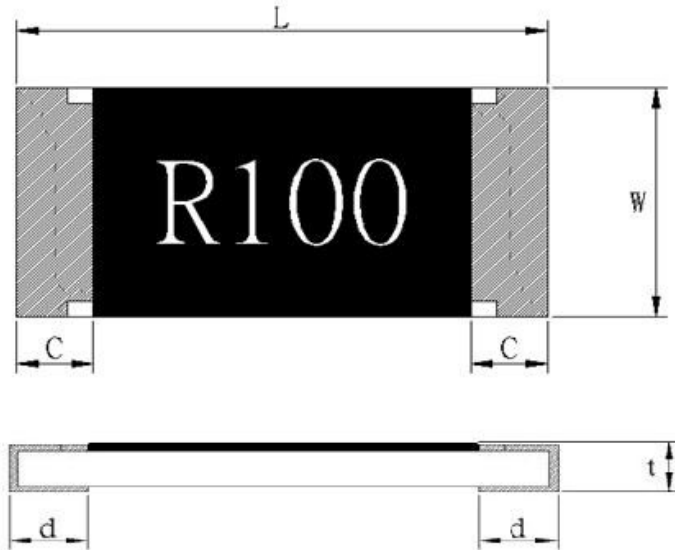
04-0402(1005) 1/16W  
06-0603(1608) 1/8W  
10-0805(2012) 1/4W  
12-1206(3216) 1/2W  
20-2010(5025) 3/4W  
25-2512(6432) 1W

J-  $\pm 5\%$   
G-  $\pm 2\%$   
F-  $\pm 1\%$

T-Paper Tape  
E-Embossed Tape  
N-Lead Free

3 Digits e.g.,5%  
(E24) R10=0.1 $\Omega$   
4 Digits e.g.,1%  
(E96) R100=0.1 $\Omega$

### 4. Dimensions :



UNIT: mm

| Type | L  | W          | C          | d          | t          |
|------|--|------------|------------|------------|------------|
| RL04 | 1.00 <sup>+0.10</sup> / <sub>-0.05</sub> | 0.50 ±0.05 | 0.20 ±0.10 | 0.25 ±0.10 | 0.35 ±0.05 |
| RL06 | 1.60 ±0.10                               | 0.80 ±0.10 | 0.30 ±0.20 | 0.35 ±0.20 | 0.45 ±0.10 |
| RL10 | 2.00 ±0.10                               | 1.25 ±0.10 | 0.40 ±0.20 | 0.35 ±0.20 | 0.50 ±0.10 |
| RL12 | 3.10 ±0.20                               | 1.55 ±0.10 | 0.50 ±0.30 | 0.40 ±0.20 | 0.55 ±0.10 |
| RL20 | 5.00 ±0.20                               | 2.50 ±0.20 | 0.60 ±0.30 | 0.50 ±0.25 | 0.55 ±0.10 |
| RL25 | 6.30 ±0.20                               | 3.20 ±0.20 | 0.60 ±0.30 | 0.50 ±0.25 | 0.55 ±0.10 |

### 5. Electrical characteristics :

| Characteristics                 | Feature                            |      |      |      |      |      | Measurement Method        |
|---------------------------------|------------------------------------|------|------|------|------|------|---------------------------|
|                                 | RL04                               | RL06 | RL10 | RL12 | RL20 | RL25 |                           |
| Power Ratings (W)               | 1/16W                              | 1/8W | 1/4W | 1/2W | 3/4W | 1W   | JIS Code 3A / JIS Code 3D |
| Resistance Value (mΩ)           | 100 ~ 910                          |      |      |      |      |      | Refer to JIS C 5201-1-4.5 |
| T.C.R ( ppm / °C )              | 100~500mΩ: ±300<br>501~910mΩ: ±200 | ±200 |      |      |      |      | Refer to JIS C 5201-1-4.8 |
| Operation Temperature Range(°C) | -55 ~ +155                         |      |      |      |      |      |                           |
| Resistance Tolerance (%)        | ± 1%, ± 2%, ± 5%                   |      |      |      |      |      | JIS C 5201-1-4.2.5        |
| Insulation Resistance (MΩ)      | Over 100                           |      |      |      |      |      | Refer to JIS C 5201-1-4.6 |
| Maximum Working Voltage (V)     | $(P * R)^{1/2}$                    |      |      |      |      |      |                           |

Note : Except for the above standardized products, we also provide the customized products.

### 5.1 Derating Curve :

For resistors operated at ambient temperature over 70°C , power rating shall be derated in accordance with figure 1.

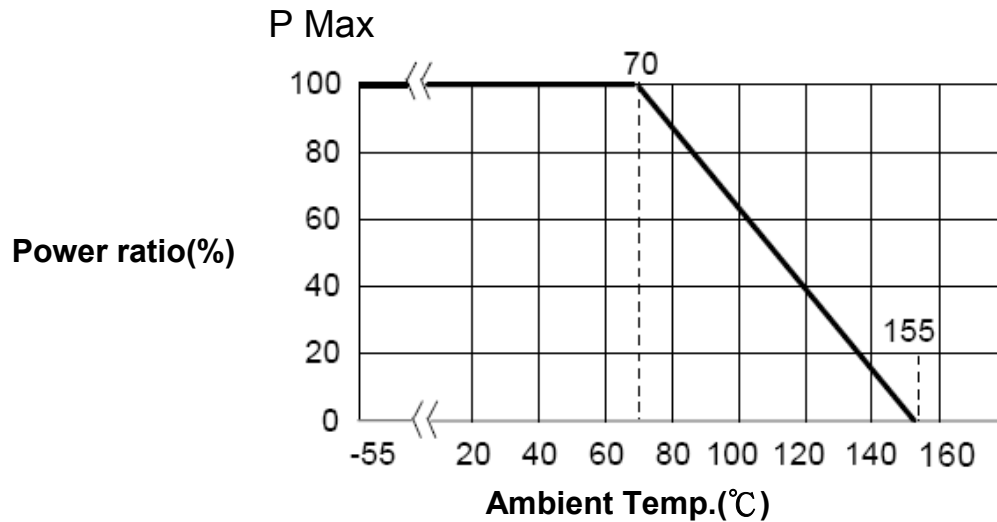


Figure 1

### 6. Reliability Test :

| Test Item                                    | Reference standard                      | Condition of Test   | Test Limits   |
|--|---|---|---|
| Temperature Coefficient of Resistance        | IEC60115-1-4.8<br>JIS-C5201-1-4.8       | -55 ~ +125°C  | Refer to paragraph 5  |
| Short Time Overload                          | IEC60115-1-4.13<br>JIS-C5201-1-4.13     | 2.5 X rated voltage, 5s   | 1%:± (1%+0.005 Ω )<br>2%,5%:± (3%+0.005 Ω )<br>Remark: 0402±(2%+0.005 Ω )   |
| Load Life                                    | IEC60115-1-4.25.1<br>JIS-C5201-1-4.25.1 | 1000 hours at rated power ,<br>70°C , 1.5hours "ON " , 0.5hour "OFF"                  | 1%:± (1%+0.001 Ω )<br>2%,5%:± (3%+0.001 Ω )<br>Remark: 0402±(3%+0.005 Ω )   |
| Load Life with Humidity                      | IEC60115-1-4.24<br>JIS-C5201-1-4.24     | 1000 hours at rated power ,<br>40 ± 2°C , 90~95% RH<br>1.5hours "ON " , 0.5hour "OFF" | 1%:± (1%+0.001 Ω )<br>2%,5%:± (3%+0.001 Ω )<br>Remark: 0402±(3%+0.005 Ω )   |
| Rapid Change of Temperature                  | IEC60115-1-4.19<br>JIS-C5201-1-4.19     | -55°C (30 min. ) / +155 °C (30 min.)<br>5 cycles                                      | ± 1%+0.005 Ω  |
| Resistance to Soldering Heat                 | IEC60115-1-4.18<br>JIS-C5201-1-4.18     | 270 ± 5°C solder , 10 ± 1 sec dwell .   | ± 1%+0.005 Ω  |
| Solderability                                | IEC60115-1-4.17<br>JIS-C5201-1-4.17     | 245±5°C solder, 2±0.5 sec dwell.<br>Solder : Sn96.5 / Ag3.0 / Cu0.5                   | At least 95% of surface area of electrode shall be covered with new solder. |
| Robustness of Termination (Bending Strength) | IEC60115-1-4.33<br>JIS-C5201-1-4.33     | 3mm deflection<br>2mm deflection (RL20,25)  | ± 1%+0.005Ω   |
| Resistance to Dry Heat                       | IEC60115-1-4.23.2<br>JIS-C5201-1-4.23.2 | 155 ± 5°C for 96 ± 4hrs   | 1%: ± (1%+0.005 Ω )<br>2%,5%:± (2%+0.005 Ω )                                |

Note\* :RCWV : Rated continuous working voltage .

### 7. Marking :

#### 7.1 Type : 0805,1206,2010,2512

##### 7.1.1 E96: 1%

Resistance value is expressed by 4 digits, the first "R" means decimal point and the other digits represent for the normal resistance in  $\Omega$ .

e.g., R100 =100 m $\Omega$

##### 7.1.2 E24: 2%,5%

Resistance value is expressed by 3 digits, the first "R" means decimal point and the other digits represent for the normal resistance in  $\Omega$ .

e.g., R10 =100 m $\Omega$

#### 7.2 Type : 0603

##### 7.2.1 E96: 1%

When the marking space is too small in such small-sized resistors as RL06, the marking can not made by 4 digits and may be made by two digits combined with one English capital.

Significant figures of nominal resistance

| Symbol | E24 | E96 |
|--------|-----|-----|
| 01     | 10  | 100 |
| 02     | 11  | 110 |
| 03     | 12  |     |
| 04     | 13  | 130 |
| 05     | 15  | 150 |
| 06     | 16  |     |
| 07     | 18  |     |
| 08     | 20  | 200 |
| 09     | 22  |     |
| 10     | 24  |     |
| 11     | 27  |     |
| 12     | 30  |     |
| 13     | 33  |     |
| 14     | 36  |     |
| 15     | 39  |     |
| 16     | 43  |     |
| 17     | 47  |     |
| 18     | 51  |     |
| 19     | 56  |     |
| 20     | 62  |     |
| 21     | 68  |     |
| 22     | 75  | 750 |
| 23     | 82  |     |
| 24     | 91  |     |

#### Symbol for multipliers

| Symbol      | A               | B               | C               | D               | E               | F               | G               | H               | X                | Y                | Z                |
|-------------|-----------------|-----------------|-----------------|-----------------|-----------------|-----------------|-----------------|-----------------|------------------|------------------|------------------|
| multipliers | 10 <sup>0</sup> | 10 <sup>1</sup> | 10 <sup>2</sup> | 10 <sup>3</sup> | 10 <sup>4</sup> | 10 <sup>5</sup> | 10 <sup>6</sup> | 10 <sup>7</sup> | 10 <sup>-1</sup> | 10 <sup>-2</sup> | 10 <sup>-3</sup> |

e.g., 01Z=100 ×10<sup>-3</sup>=100 m $\Omega$

#### Notes :

When the resistance value is not in the list of E96 , 3 digitals with underline in E-24 series is used as mark .

e.g., 0603 : 120m $\Omega$ , 1% Marking is 012

### 7.2.2 E24: 2%,5%

Resistance value is expressed by 3 digits, the first "0" means decimal point and the other digits represent for the normal resistance in  $\Omega$ .

e.g., 010 = 100 m $\Omega$

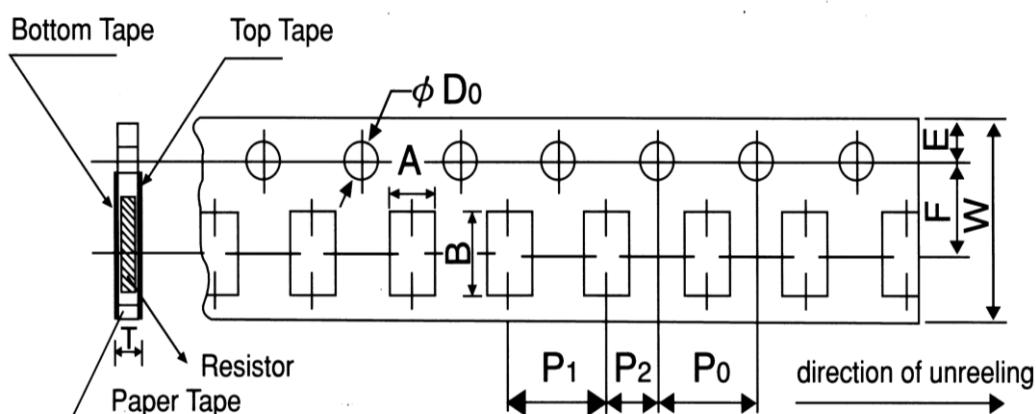
### 7.2 Type: 0402

RL04 : No Marking

## 8. Taping & Reel :

### 8.1 Taping Dimensions :

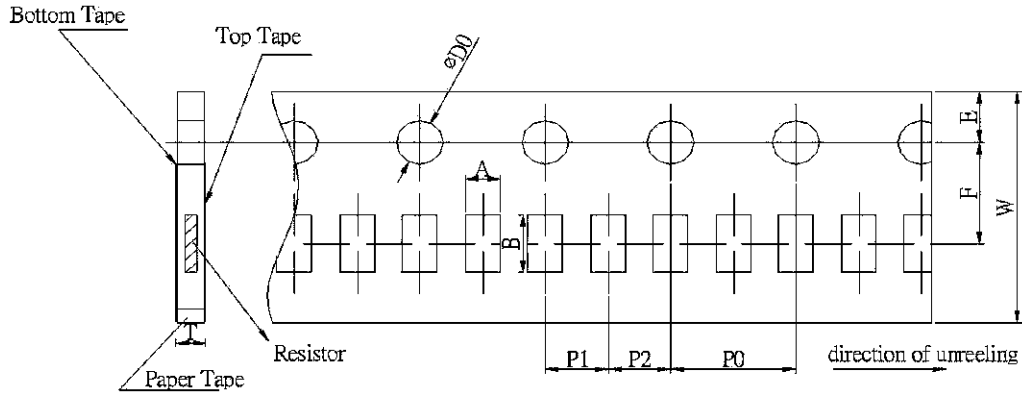
#### 8.1.1 4 mm pitch paper



UNIT: mm

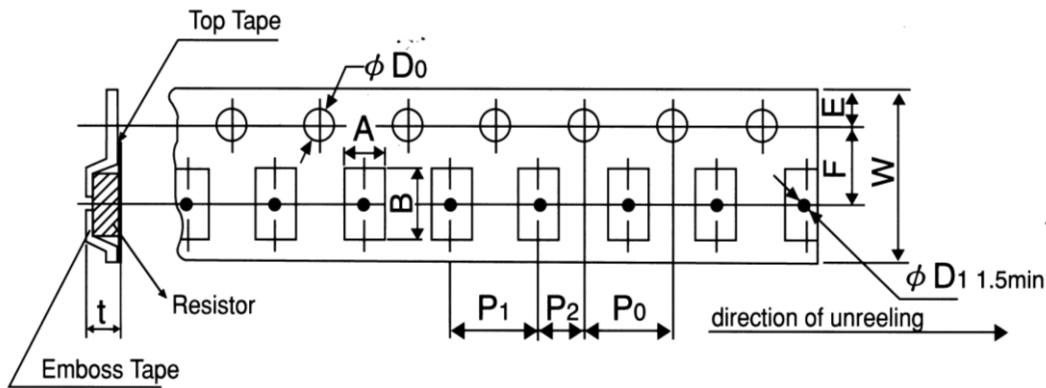
| Packing    | Type | A         | B        | W       | F        | E        | P <sub>1</sub> | P <sub>2</sub> | P <sub>0</sub> | D <sub>0</sub> | T         |
|------------|------|-----------|----------|---------|----------|----------|----------------|----------------|----------------|----------------|-----------|
| Paper Tape | RL06 | 1.1 ±0.1  | 1.9 ±0.1 | 8.0±0.2 | 3.5±0.05 | 1.75±0.1 | 4.0±0.1        | 2.0±0.05       | 4.0±0.1        | φ 1.5          | 0.64 ±0.1 |
|            | RL10 | 1.6 ±0.15 | 2.4 ±0.2 |         |          |          |                |                |                |                | +0.1      |
|            | RL12 | 2.0 ±0.15 | 3.6 ±0.2 |         |          |          |                |                |                |                | -0        |

### 8.1.2 2 mm pitch paper :



| Packing    | Type | A        | B        | W        | F        | E        | P <sub>1</sub> | P <sub>2</sub> | P <sub>0</sub> | D <sub>0</sub>      | T         |
|------------|------|----------|----------|----------|----------|----------|----------------|----------------|----------------|---------------------|-----------|
| Paper Tape | RL04 | 0.7±0.05 | 1.2±0.05 | 8.0 ±0.2 | 3.5±0.05 | 1.75±0.1 | 2.0 ±0.1       | 2.0 ±0.1       | 4.0 ±0.1       | φ 1.5<br>+0.1<br>-0 | 0.45 ±0.1 |
|            | RL06 | 1.1 ±0.1 | 1.9 ±0.1 | 8.0 ±0.2 | 3.5±0.05 | 1.75±0.1 | 4.0 ±0.1       | 2.0 ±0.1       | 4.0 ±0.1       | φ 1.5<br>+0.1<br>-0 | 0.64 ±0.1 |

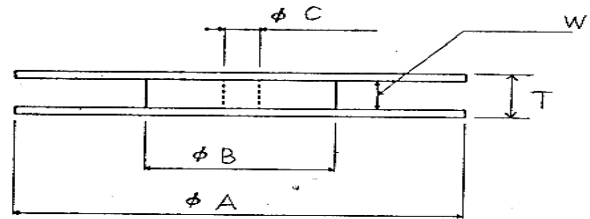
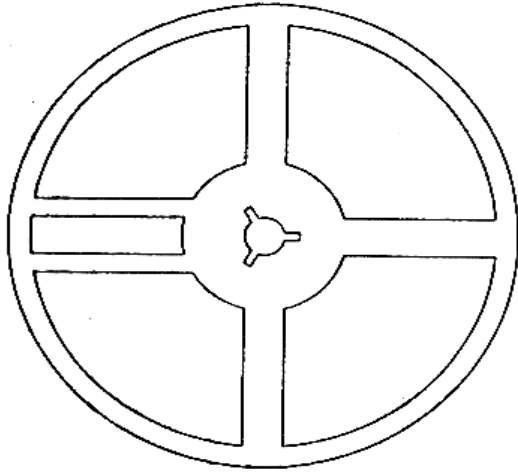
### 8.1.3 4 mm pitch Emboss :



| Packing | Type | A        | B        | W        | F        | E        | P <sub>1</sub> | P <sub>2</sub> | P <sub>0</sub> | D <sub>0</sub>      | T          |
|---------|------|----------|----------|----------|----------|----------|----------------|----------------|----------------|---------------------|------------|
| Emboss  | RL20 | 2.8 ±0.2 | 5.3 ±0.2 | 12.0±0.2 | 5.5±0.05 | 1.75±0.1 | 4.0±0.1        | 2.0±0.05       | 4.0±0.05       | φ 1.5<br>+0.1<br>-0 | 0.85 ±0.15 |
|         | RL25 | 3.6 ±0.2 | 6.9 ±0.2 |          |          |          |                |                |                |                     |            |

| Type Size |    | Paper Tape |            | Emboss Plastic Tape<br>4 mm pitch |
|-----------|----|------------|------------|-----------------------------------|
|           |    | 4 mm pitch | 2 mm pitch |                                   |
|           |    | 178mm/R    | 178mm/R    |                                   |
| RL        | 04 |            | 10000      |                                   |
| RL        | 06 | 5000       | 10000      |                                   |
| RL        | 10 | 5000       |            |                                   |
| RL        | 12 | 5000       |            |                                   |
| RL        | 20 |            |            | 4000                              |
| RL        | 25 |            |            | 4000                              |

### 8.2 Reel Specifications :

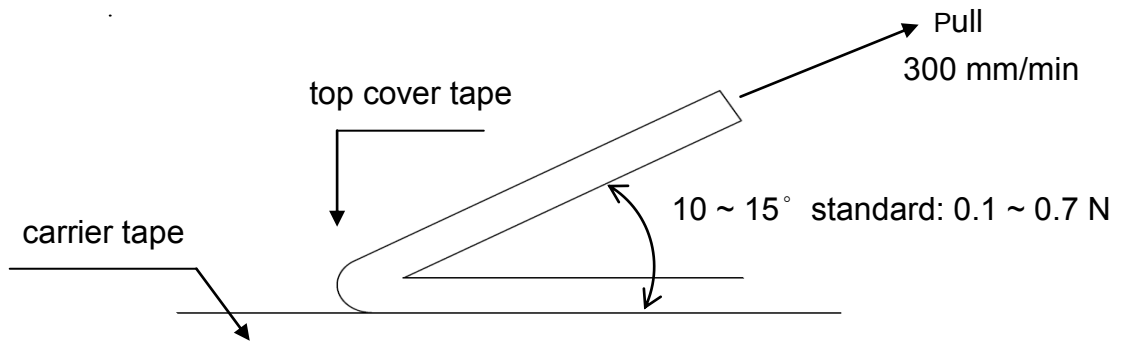


UNIT: mm

| Series               | $\phi A$      | $\phi B$       | $\phi C$       | W              | T              |
|----------------------|---------------|----------------|----------------|----------------|----------------|
| RL 04 / 06 / 10 / 12 | $178 \pm 2.0$ | $60.0 \pm 1.0$ | $13.0 \pm 1.0$ | $9.0 \pm 1.0$  | $11.5 \pm 1.0$ |
| RL 20 / 25           |               |                |                | $13.0 \pm 1.0$ | $15.5 \pm 1.0$ |

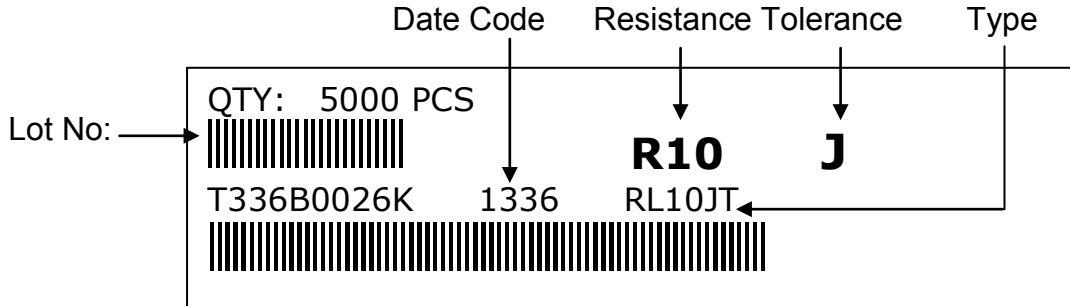
### 8.3 Peel – off force :

Peel – off force of paper and blister tape is in accordance with “JIS-C5202 ” that is , 0.1 to 0.7 N at a peel-off speed of 300 mm / minute.



### 9. Label :

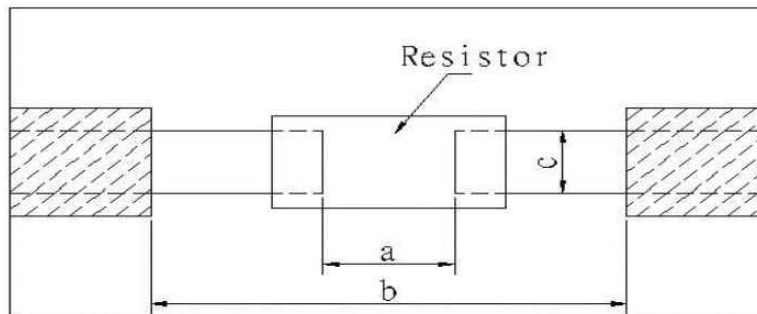
#### 9.1 Manufacture Label :



#### 9.2 Customer Label: ( By customer request ) :



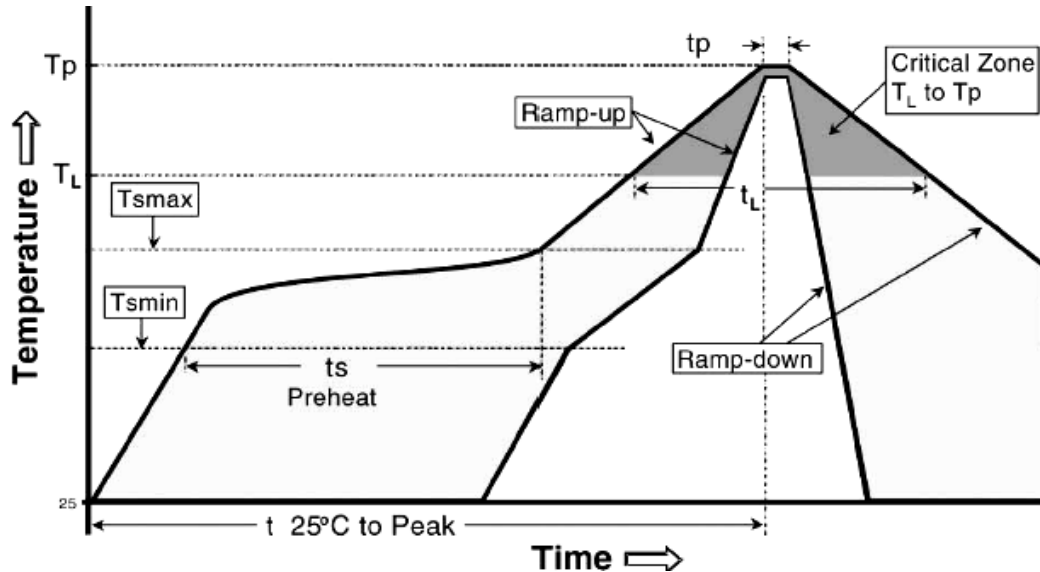
### 10. Recommended land patterns :



| Type | Land pattern<br>Size | Dimension ( mm ) |         |         |
|------|----------------------|------------------|---------|---------|
|      |                      | a                | b       | c       |
| RL   | 04(1005 )            | 0.5~0.6          | 1.4~1.6 | 0.4~0.6 |
| RL   | 06 (0603 )           | 0.7~0.9          | 2.0~2.2 | 0.8~1.0 |
| RL   | 10 (0805 )           | 1.0~1.4          | 3.2~3.8 | 0.9~1.4 |
| RL   | 12 (1206 )           | 2.0~2.4          | 4.4~5.0 | 1.2~1.8 |
| RL   | 20 (2010 )           | 3.3~3.7          | 5.7~6.5 | 2.3~3.5 |
| RL   | 25 (2512 )           | 3.6~4.0          | 7.6~8.6 | 2.3~3.5 |



### 11. Recommend IR – Reflow profile : ( Lead-Free solder : Sn96.5 / Ag3 / Cu0.5 )



| Profile Feature  | Lead (Pb )-Free Assembly          |
|--|-----------------------------------|
| Average ramp-up rate<br>(T <sub>smax</sub> to T <sub>p</sub> )   | 3°C / second max.                 |
| Preheat<br>- Temperature Min (T <sub>smin</sub> )<br>- Temperature Max (T <sub>smax</sub> )<br>- Time (T <sub>smin</sub> to T <sub>smax</sub> ) (ts) | 150°C<br>200°C<br>60 -150 seconds |
| Time maintained above :<br>- Temperature (T <sub>L</sub> )<br>- Time (t <sub>L</sub> )   | 217°C<br>60-120 seconds           |
| Peak Temperature (T <sub>p</sub> )   | 260°C                             |
| Time within $\begin{matrix} +0 \\ -5 \end{matrix}$ °C of actual Peak<br>Temperature (tp) <sup>2</sup>  | 10 seconds                        |
| Ramp-down Rate   | 6°C/second max.                   |
| Time 25°C to Peak Temperature  | 8mimutes max.                     |

Allowed Re-flow times : 3 times

Remark : To avoid discoloration phenomena of chip on terminal electrodes,  
please use N2 Re-flow furnace .

### 12. Storage Conditions :

Temperature: 5°C~35°C, Humidity:40%~75%

### 13. Shelf Life :

2 years from manufacturing date

|             |   |             |              |
|-------------|---|-------------|--------------|
| <b>TA-I</b> | <b>Alloy Film Chip Resistors<br/>Low Resistance (Standard)<br/>Halogen-Free</b> | Document No | TRL-XX0S0010 |
|             |   | Issued date | 2014/08/06   |
|             |   | Page.       | 10 / 10      |

**14. ECN :**

Engineering Change Notice: The customer will be informed with ECN if there is significant modification on the characteristics and materials described in Approval Sheet.

**15. Manufacturing Country & City :**

TA-I TECHNOLOGY CO., LTD. ( Taiwan– Tao Yuan )  
Tel: 886-3-3246169 Fax : 886-3-3246167

**Associated companies :**

(1) FORTUNE TASK RESISTOR FACTORY ( China – Dongguan )  
Tel : 86-769-8339-4790~3 Fax : 86-769-8339-4794

(2) TA-I TECHNOLOGY (DONGGUAN ) CO., LTD. ( China –Dongguan )  
Tel : 86-769-8339-4790~3 Fax : 86-769-8339-4794

(3) TA-I TECHNOLOGY ( SU ZHOU ) CO., LTD. ( China – Su Zhou)  
Tel :86- 512-63457879 Fax : 86-512-63457869

(4) TAI OHM ELECTRONICS ( M ) SDN. BHD. ( Malaysia – Pulaupinang )  
Tel :604- 3900480 Fax : 604-3901481

(5) P.T.TAI ELECTRONICS Indonesia ( Indonesia – Jakarta )  
Tel :62-21-89830123 Fax : 62-21-89830703

## X-ON Electronics

Largest Supplier of Electrical and Electronic Components

*Click to view similar products for [Current Sense Resistors - SMD category](#):*

*Click to view products by [TA-I Tech manufacturer](#):*

Other Similar products are found below :

[CRL0603-FW-R700ELF](#) [PFS35-200RF1](#) [NPS 2-T126 5.000 OHM 1%](#) [PFS35-0R01J1](#) [PFS35-0R05J1](#) [PFS35-5RF1](#) [CD2015FC-0.10-1%](#)  
[PR2512FKF7W0R004L](#) [RC1005F124CS](#) [RL73K3AR56JTDF](#) [RL7520WT-R001-F](#) [RL7520WT-R009-G](#) [RL7520WT-R020-F](#)  
[RLP73N1ER43JTD](#) [LRC-LR2512LF-01-R820J](#) [WR06X104JGLJ](#) [TL2BR01F](#) [65709-330](#) [SP1R12J](#) [RL7520WT-R039-G](#) [RL7520WT-R002-F](#)  
[LRF2010-R003JW](#) [KRL1632E-C-R200-F-T5](#) [KRL1632E-C-R200-F-T1](#) [Y14880R02000B9R](#) [RLP73M1ER051FTDF](#) [RLP73M2AR051FTDF](#)  
[RLP73M2AR075FTDF](#) [RLP73M1JR051FTDF](#) [RLP73N1JR47FTDF](#) [SR731ERTTP5R10F](#) [SR731ERTTP100J](#) [SR731ERTTP6R80F](#)  
[SR731ERTTP4R70F](#) [SR731ERTTP2R20F](#) [SR731ERTTP3R90F](#) [SR731ERTTP1R00F](#) [SR731ERTTP10R0F](#) [SR731ERTTP2R00F](#)  
[SR731ERTTP8R20F](#) [SR731ERTTP3R9J](#) [SR731ERTTP8R2J](#) [SR731ERTTP2R0J](#) [SR731ERTTP4R7J](#) [SR731ERTTP9R1J](#) [SR731ERTTP1R0J](#)  
[SR731ERTTP2R2J](#) [SR731ERTTP5R1J](#) [SR731ERTTP6R8J](#) [SR731ERTTP9R10F](#)