



**Lead-Free Current Sensing Resistors**  
**RLM Series**  
 ( Halogen-Free )  
 AEC-Q 200-Ver D qualified

Document No	TRLM-250S149D
Issued date	2016/06/15
Page	1/6

**1. Scope :**

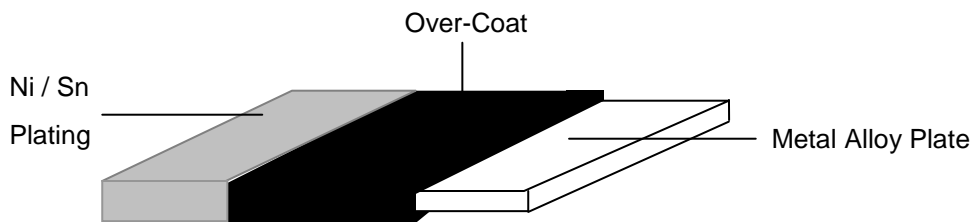
This specification applied to the products of Lead-Free current sensing resistor of metal foil for Lead-Free RLM series manufactured by TA-I TECHNOLOGY CO.,LTD.

**2. Type Designation :**

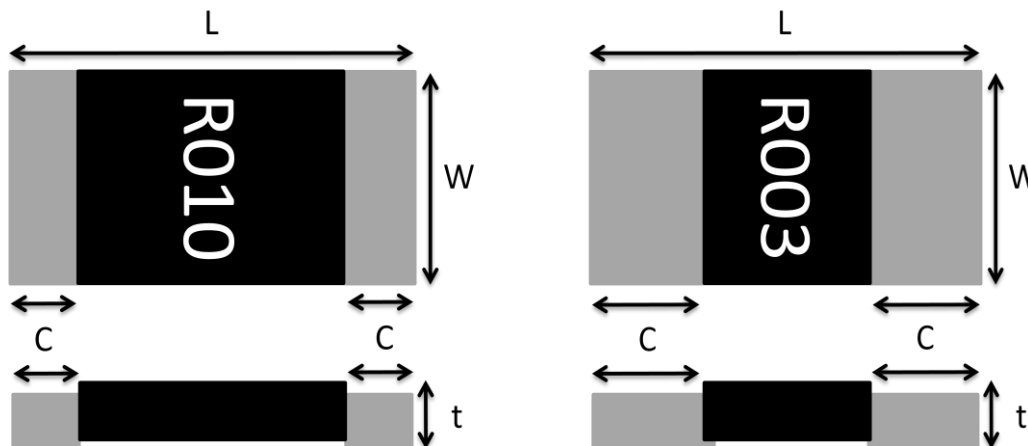
<u>RLM</u> Item	<u>25</u> Series No.	<u>F</u> Resistance tolerance	<u>E</u> Packaging	<u>C</u> Power rating	<u>R010</u> Resistance
	25:2512 (6432)	F:±1% G:±2% J:±5%	E: Embossed Tape	C=1W D=1.5W E=2W	e.g : R003=3mΩ R050=50mΩ

**3. Construction and Dimension :**

**3.1 Construction:**



**3.2 Dimension:**



UNIT: mm

Style	L	W	C	t	Material
RLM25	6.4±0.2	3.2±0.2	2.0±0.2(R ≤ 3mΩ)	0.6 ±0.20	Metal : Alloy Over Coating : molding Compound UL-94 grade
			0.9±0.2(R > 3mΩ)		



**Lead-Free Current Sensing Resistors**  
**RLM Series**  
**( Halogen-Free )**  
**AEC-Q 200-Ver D qualified**

Document No	TRLM-250S149D
Issued date	2016/06/15
Page	2/6

**4. Features:**

Type	RLM	
Power Rating	(1W:R=1mΩ~50mΩ) (1.5W:R≤15mΩ) (2W:R≤10mΩ)	
Resistance Value	1mΩ~50mΩ	
Operation Temperature Range	-55℃~+170℃	
Temperature Coefficient of Resistance	±275ppm/℃	R≤1mΩ
	±50ppm/℃	1mΩ<R≤50mΩ
Tolerance	±1%,±2%,±5%	
Insulation Resistance	Over 100MΩ	
Maximum Working Voltage(V)	(P*R) <sup>1/2</sup>	

**5. Reliability Tests:**

Test Items	Condition of Test	Test Limits
High Temperature Exposure(Storage)	T=125℃,1000hrs,Measurement at 24hrs after test conclusion.	< ±1%
Low temperature operation	-55 °C for 45 min	< ±0.5%
Temperature Cycling	1000Cycle (-55℃ to 125℃),Measurement at 24hrs after test conclusion.	< ±0.5%
Short time overload	5 X rated power for 5s	< ±0.5%
Biased Humidity	10% Rated voltage at 85 °C,RH:85% ,1000Hrs, Measurement at 24hrs after test conclusion.	< ±0.5%
Operation life	1000 h at +70 °C, 1.5 h "ON", 0.5 h "OFF"	< ±1%
Resistance to Soldering Heat	T=260+/-5℃ solder,10+/-1 sec dwell	< ±0.5%
Mechanical Shock	100g's , Normal duration is 6ms , half sine shock pluse	< ±0.5%
Resistance to vibration	5g's for 20min.12cycles, 10-2000Hz	<±0.5%
Board Flex	Min 2mm deflection ,60sec.	< ±0.5%
Flammability	V-0 or V-1are acceptable, Electrical test not required	



**Lead-Free Current Sensing Resistors**  
**RLM Series**  
 ( Halogen-Free )  
 AEC-Q 200-Ver D qualified

Document No	TRLM-250S149D
Issued date	2016/06/15
Page	3/6

### 5.1 Derating Curve



### 5.2 Rated Current

The rated voltage is calculated by the following formula:

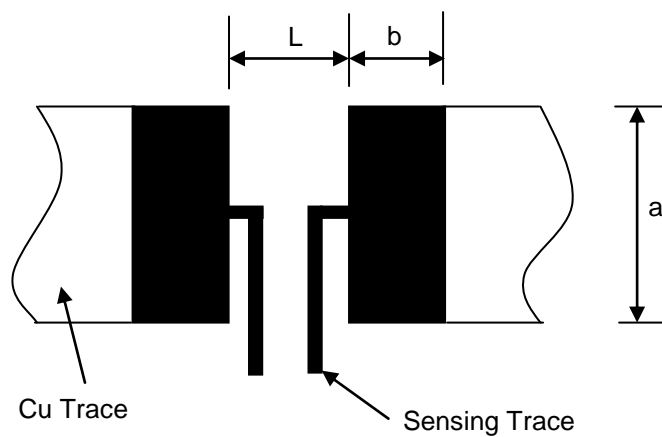
$$I = \sqrt{P \div R}$$

I: Rated Current(A)

P: Rated Power(W)

R: Resistance Value(Ω)

### 6. Recommended Solder Pad Dimension



Resistance Range (Ω)	a	b	L
0.001-0.003	4.0	3.1	1.3
0.004-0.050	4.0	2.1	4.1

Unit: mm



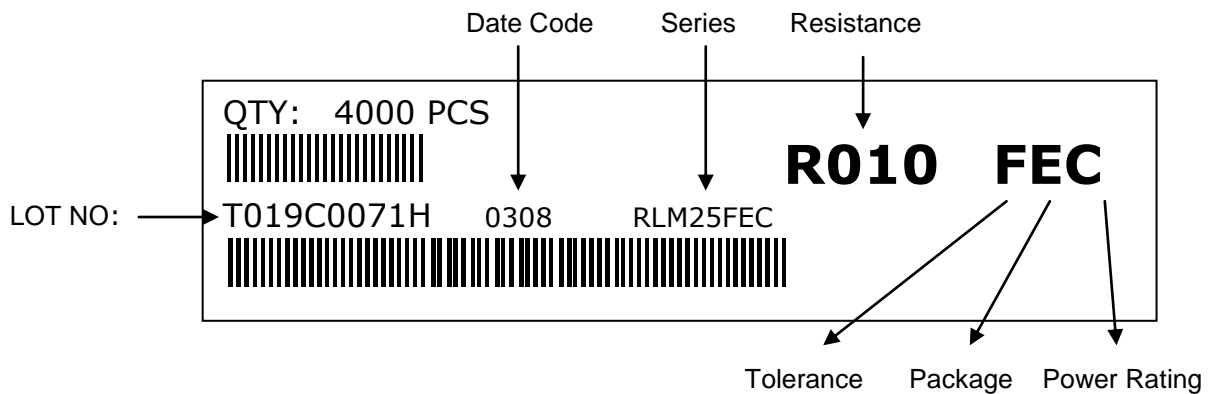
**Lead-Free Current Sensing Resistors**  
**RLM Series**  
 ( Halogen-Free )  
 AEC-Q 200-Ver D qualified

Document No	TRLM-250S149D
Issued date	2016/06/15
Page	4/6

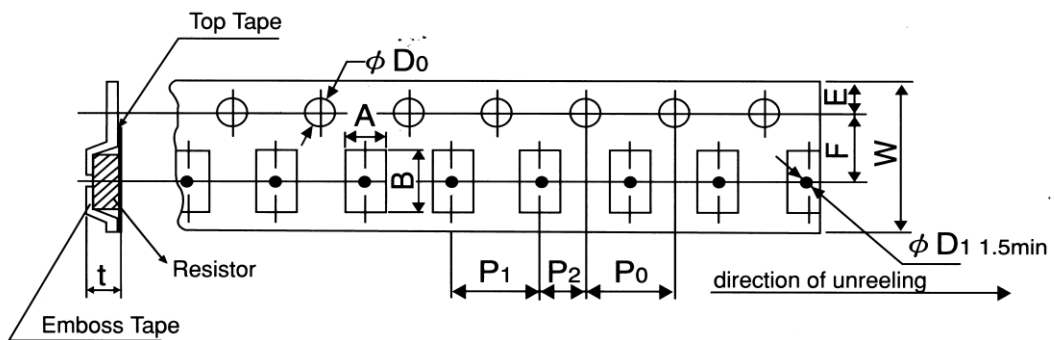
**7. Number of Package:**

4000 Pieces / package

**8. Label:**



**9. Taping**



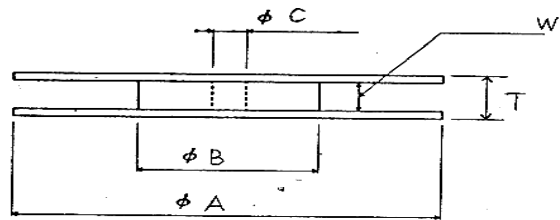
Packing	Type	A	B	W	F	E	$P_1$	$P_2$	$P_0$	$D_0$	T
Emboss	RLM25	$3.6^{+0.2}_{-0.18}$	$6.9 \pm 0.2$	$12. \pm 0.2$	$5.5 \pm 0.05$	$1.75 \pm 0.1$	$4.0 \pm 0.1$	$2.0 \pm 0.05$	$4.0 \pm 0.05$	$\phi 1.5$ (+0.1/-0)	$0.85 \pm 0.15$



**Lead-Free Current Sensing Resistors**  
**RLM Series**  
 ( Halogen-Free )  
 AEC-Q 200-Ver D qualified

Document No	TRLM-250S149D
Issued date	2016/06/15
Page	5/6

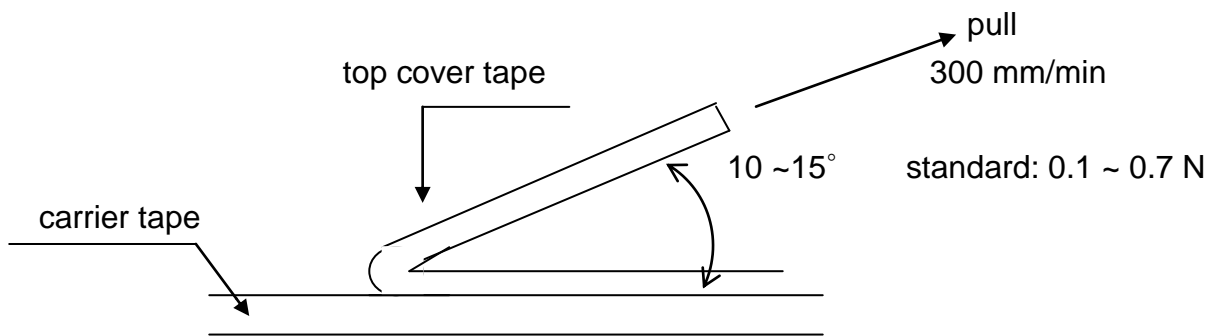
**10. Reel Specification**



Series	$\phi A$	$\phi B$	$\phi C$	W	T
RLM 25	180 <sup>+0</sup> <sub>-3</sub>	60 ±1.0	13.0±1.0	13.0±1.0	15.4±2.0

**11. Peeling Strength of Top Cover Tape**

Test Condition: 0.1 to 0.7 N at a peel-off speed of 300 mm / min.



**12. Storage Conditions:**

Temperature: 5°C~35°C, Humidity: 40%~75%

**13. Shelf Life:**

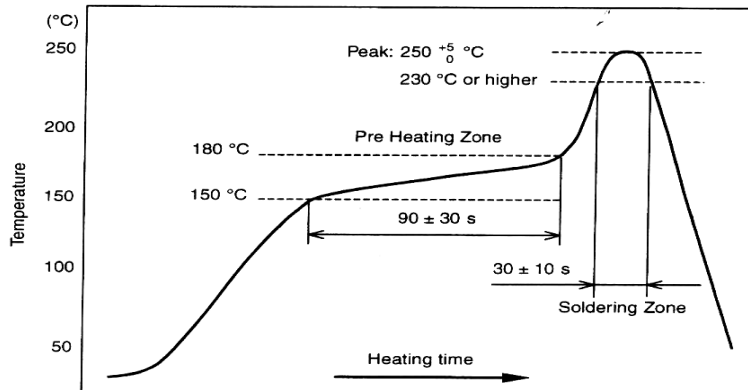
2 years from manufacturing date.



**Lead-Free Current Sensing Resistors  
RLM Series  
( Halogen-Free )  
AEC-Q 200-Ver D qualified**

Document No	TRLM-250S149D
Issued date	2016/06/15
Page	6/6

**14. Recommend IR – Reflow profile : (solder : Sn96.5 / Ag3 / Cu0.5)**



**Peak :  $260 \begin{matrix} +5 \\ -0 \end{matrix} \text{ } ^\circ\text{C}$  , 5 sec**

**Pre – heat Zone : 150 to 180 °C , 90±30 sec**

**Soldering Zone : 230°C or higher , 30±10 sec**

**Iron Solder: 350±10°C , 3+1/-0 sec**

**15. ECN**

Engineering Change Notice: The customer will be informed with ECN if there is significant modification on the characteristics and materials described in Approval Sheet.

**16. Manufacturing Country & City :**

TA-I TECHNOLOGY CO., LTD. ( Taiwan– Tao Yuan )

Tel: (+886) 3-3246169 Fax : (+886) 3-3246167

**Associated companies :**

(1)TA-I TECHNOLOGY ( SU ZHOU ) CO., LTD. ( China – Su Zhou)

Tel :(+86) 512-63457879 Fax : (+86) 512-63457869

(2) TA-I TECHNOLOGY ELECTRONIC (DONGGUAN ) CO., LTD. ( China –Dongguan )

Tel : (+86) 769-8339-4790~3 Fax : (+86) 769-8339-4794

(3) FORTUNE TASK RESISTOR FACTORY ( China – Dongguan )

Tel : (+86) 769-8339-4790~3 Fax : (+86) 769-8339-4794

(4) TAI OHM ELECTRONICS ( M ) SDN. BHD. ( Malaysia – Penang )

Tel :(+60) 4- 3900480 Fax : (+60) 4-3901481

(5) P.T.TAI ELECTRONIC Indonesia ( Indonesia – Jakarta )

Tel :(+62) 21-44820254 Fax : (+62) 21-44820256

**TA-I TECHNOLOGY CO., LTD**

## X-ON Electronics

Largest Supplier of Electrical and Electronic Components

*Click to view similar products for [Current Sense Resistors - SMD category](#):*

*Click to view products by [TA-I Tech manufacturer](#):*

Other Similar products are found below :

[CRL0603-FW-R700ELF](#) [PFS35-200RF1](#) [NPS 2-T126 5.000 OHM 1%](#) [PFS35-0R01J1](#) [PFS35-0R05J1](#) [PFS35-5RF1](#) [CD2015FC-0.10-1%](#)  
[PR2512FKF7W0R004L](#) [RC1005F124CS](#) [RL73K3AR56JTDF](#) [RL7520WT-R001-F](#) [RL7520WT-R009-G](#) [RL7520WT-R020-F](#) [LRC-](#)  
[LR2512LF-01-R820J](#) [WR06X104JGLJ](#) [TL2BR01F](#) [65709-330](#) [SP1R12J](#) [RL7520WT-R039-G](#) [RL7520WT-R002-F](#) [RL7520WT-R005-F](#)  
[KRL1632E-C-R200-F-T5](#) [KRL1632E-C-R200-F-T1](#) [RLP73M1ER051FTDF](#) [RLP73M2AR075FTDF](#) [SR731ERTTP5R10F](#) [SR731ERTTP100J](#)  
[SR731ERTTP6R80F](#) [SR731ERTTP4R70F](#) [SR731ERTTP2R20F](#) [SR731ERTTP3R90F](#) [SR731ERTTP1R00F](#) [SR731ERTTP10R0F](#)  
[SR731ERTTP2R00F](#) [SR731ERTTP8R20F](#) [SR731ERTTP3R9J](#) [SR731ERTTP8R2J](#) [SR731ERTTP2R0J](#) [SR731ERTTP4R7J](#)  
[SR731ERTTP9R1J](#) [SR731ERTTP1R0J](#) [SR731ERTTP2R2J](#) [SR731ERTTP5R1J](#) [SR731ERTTP6R8J](#) [SR731ERTTP9R10F](#) [FCSL64R007JER](#)  
[LRF1206-R018FW](#) [TLR2B10DR022FTDG](#) [TLR2H10DR01FTDG](#) [73L4R10G](#)