

OC Type

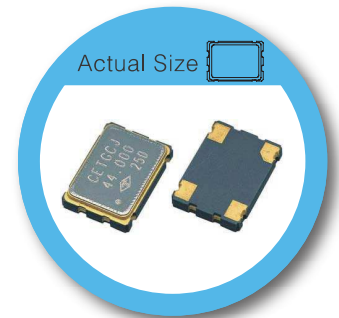
7.0 x 5.0 mm SMD Crystal Oscillator

FEATURE

- Typical 7.0 x 5.0 x 1.3 mm ceramic SMD package.
- Output frequency up to 166MHz
- Tr-state enable/disable.

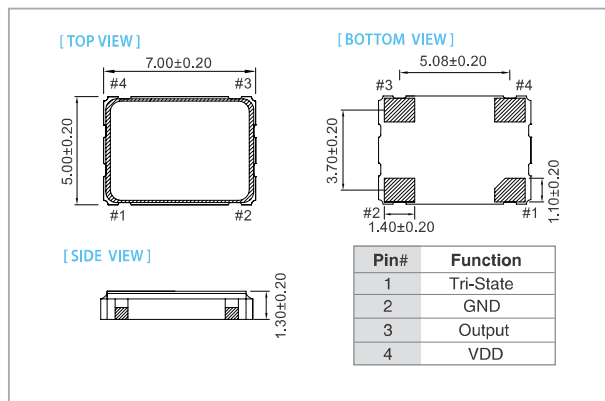
TYPICAL APPLICATION

- xDSL, WLAN, Fiber/10G-Bit Ethernet
- Notebook, PDA
- PC main board, VGA card

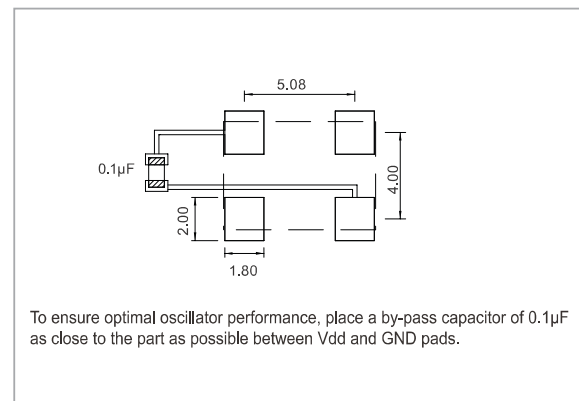


RoHS Compliant

DIMENSION (mm)



SOLDER PAD LAYOUT (mm)



ELECTRICAL SPECIFICATION

| Parameter | 3.3V | | 2.5V | | 1.8V | | unit |
|--|--|----------------------|----------------------|----------------------|----------------------|----------------------|------|
| | Min. | Max. | Min. | Max. | Min. | Max. | |
| Supply Voltage Variation(V_{DD}) | V _{DD} -10% | V _{DD} +10% | V _{DD} -10% | V _{DD} +10% | V _{DD} -10% | V _{DD} +10% | V |
| Frequency Range | 0.0137 | 166 | 0.0137 | 133 | 0.0137 | 125 | MHz |
| Standard Frequency | 2.048, 25, 26, 27, 50, 66, 667, 100, 125 | | | | | | |
| Supply Current | | | | | | | |
| 13.7 kHz ≤ Fo ≤ 70 kHz | - | 1 | - | 1 | - | 1 | mA |
| 0.3125 MHz ≤ Fo < 35.328 MHz (A1) | - | 10 | - | 8 | - | 7 | |
| 30 MHz ≤ Fo < 75 MHz | - | 20 | - | 18 | - | 15 | |
| 75 MHz ≤ Fo < 133 MHz | - | 35 | - | 30 | - | 25 | |
| 133 MHz ≤ Fo | - | 45 | - | 40 | - | - | |
| Output Level (CMOS) Output High (Logic "1") | 2.97 | - | 2.25 | - | 1.62 | - | V |
| Output Low (Logic "0") | - | 0.33 | - | 0.25 | - | 0.18 | |
| Transition Time:Rise/Fall Time | | | | | | | |
| 13.7 kHz ≤ Fo ≤ 70 kHz | - | 50 | - | 50 | - | 50 | nSec |
| 0.3125 MHz ≤ Fo < 100 MHz | - | 5 | - | 5 | - | 5 | |
| 100 MHz ≤ Fo | - | 3 | - | 3 | - | 3 | |
| Start Time | - | 5 | - | 5 | - | 5 | mSec |
| Output Drive Capability (CL) | - | 15 | - | 15 | - | 15 | pF |
| Tri-State (Input to Pin1) Enable (High voltage or floating) | 2.31 | - | 1.75 | - | 1.26 | - | V |
| Disable (Low voltage or GND) | - | 0.99 | - | 0.75 | - | 0.54 | |
| Period Jitter(Pk-Pk) | - | 40 | - | 40 | - | 40 | pSec |
| RMS Phase Jitter (Integrated 12 kHz~20 MHz) | - | 1 | - | 1 | - | 1 | pSec |
| Standby Current | - | 10 | - | 10 | - | 10 | µA |
| Aging (@ 25°C 1st year) | - | ±3 | - | ±3 | - | ±3 | ppm |
| Storage Temp. Range | -55 | 125 | -55 | 125 | -55 | 125 | °C |

Standard frequencies are frequencies which the crystal has been designed and does not imply a stock position.

+ Transition times are measured between 10% and 90% of V_{DD}, with an output load of 15pF.

FREQ. STABILITY vs. TEMP. RANGE

| Temp.(°C) | ppm | | |
|------------|-----|-----|-----|
| | ±20 | ±25 | ±50 |
| -10 ~ +60 | ○ | ○ | ○ |
| -20 ~ +70 | △ | ○ | ○ |
| -40 ~ +85 | △ | ○ | ○ |
| -40 ~ +125 | × | × | ○ |

* ○: Available △:Conditional X: Not available

* Inclusive of calibration @ 25 °C, operating temperature range, input voltage variation, load variation, aging (1st year), shock, and vibration

Note: not all combination of options are available. Other specifications may be available upon request.

X-ON Electronics

Largest Supplier of Electrical and Electronic Components

Click to view similar products for [Standard Clock Oscillators](#) category:

Click to view products by [TAITIEN](#) manufacturer:

Other Similar products are found below :

[601252](#) [F335-25](#) [F535L-33.333](#) [F535L-50](#) [ASV-20.000MHZ-LR-T](#) [ECS-2018-160-BN-TR](#) [MXO45HS-2C-66.6666MHZ](#) [SiT1602BI-22-33E-50.000000E](#) [SiT8209AI-32-33E-125.000000](#) [SIT8918AA-11-33S-50.000000G](#) [SM4420TEV-40.0M-T1K](#) [SMA4306-TL-H](#) [F335-24](#) [F335-40](#) [F535L-10](#) [F535L-12](#) [F535L-16](#) [F535L-24](#) [F535L-27](#) [F535L-48](#) [PE7744DW-100.0M](#) [ASF1-3.686MHZ-N-K-S](#) [ASV-4.000MHZ-LCS-T](#) [XLH735025.000JU4I8](#) [XLP725125.000JU6I8](#) [XO57CTECNA3M6864](#) [ECS-2100A-147.4](#) [601251](#) [EP16E7E2H26.000MTR](#) [SiT8503AI-18-33E-0.200000X](#) [SIT8918AA-11-33S-16.000000G](#) [SIT9122AI2C233E300.000000X](#) [XO37CTECNA20M](#) [XO3003](#) [9120AC-2D2-33E212.500000](#) [9102AI-243N25E100.00000](#) [8208AC-82-18E-25.00000](#) [ASDK2-32.768KHZ-LR-T3](#) [8008AI-72-XXE-24.545454E](#) [8004AC-13-33E-133.33000X](#) [AS-4.9152-16-SMD-TR](#) [ASFL1-48.000MHZ-LC-T](#) [632L3I004M00000](#) [SIT8920AM-31-33E-25.0000](#) [DSC1028DI2-019.2000](#) [9121AC-2C3-25E100.00000](#) [9102AI-233N33E100.00000X](#) [9102AI-233N25E200.00000](#) [9102AI-232H25S125.00000](#) [9102AI-133N25E200.00000](#)