

OX Type

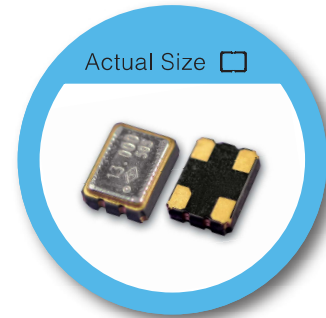
3.2 x 2.5 mm SMD Crystal Oscillator

FEATURE

- Typical 3.2 x 2.5 x 0.95 mm ceramic SMD package.
- Tight symmetry (45 to 55%) available.
- Operation voltage: 1.8V, 2.5V, 3.3V
- Tri-state enable/disable

TYPICAL APPLICATION

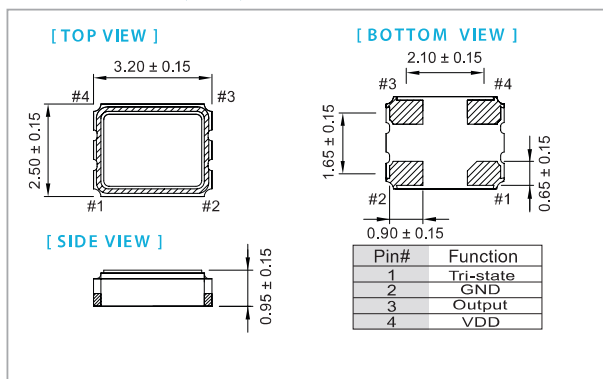
- WLAN/WiMAX
- Mobile Phone
- DSC, Set-top Box, HDTV



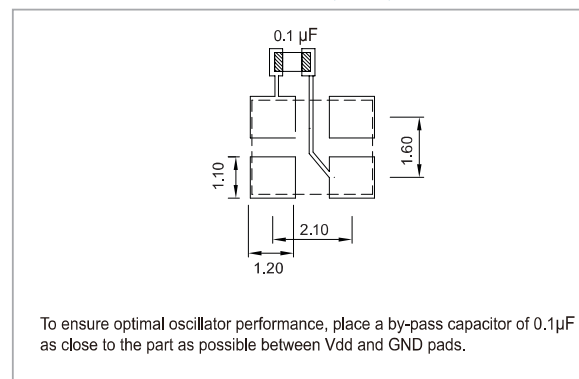
Actual Size

RoHS Compliant

DIMENSION (mm)



SOLDER PAD LAYOUT (mm)



ELECTRICAL SPECIFICATION

Parameter	3.3 V		2.5 V		1.8 V		unit
	Min.	Max.	Min.	Max.	Min.	Max.	
Supply Voltage Variation (V_{DD})	V _{DD} -10%	V _{DD} +10%	V _{DD} -10%	V _{DD} +10%	V _{DD} -10%	V _{DD} +10%	V
Frequency Range	1.25	125	1.25	125	1.25	125	MHz
Standard Frequency	24, 26, 32, 38.4, 40						
Supply Current	1.25 MHz ≤ F _o < 100 MHz		100 MHz ≤ F _o ≤ 125 MHz				
	-	15	-	10	-	7	mA
	-	25	-	20	-	12	
Duty Cycle	45	55	45	55	45	55	%
Output Level (CMOS)	Output High (Logic "1")		Output Low (Logic "0")				
	2.97	-	2.25	-	1.62	-	V
	-	0.33	-	0.25	-	0.18	
Transition Time: Rise/Fall Time⁺	1.25 MHz ≤ F _o < 20 MHz		20 MHz ≤ F _o < 80 MHz		80 MHz ≤ F _o ≤ 125 MHz		
	-	4	-	4	-	5	nSec
	-	3	-	3	-	4	
	-	3	-	3	-	4	
Start Time	-	2	-	2	-	2	mSec
Tri-State (Input to Pin 1)	Enable (High voltage or floating)		Disable (Low voltage or GND)				
	2.31	-	1.75	-	1.26	-	V
	-	0.99	-	0.75	-	0.54	
Period Jitter (Pk-Pk)	-	40	-	40	-	40	pSec
RMS Phase Jitter (Integrated 12 kHz ~ 20 MHz)	-	1	-	1	-	1	pSec
Standby Current	-	10	-	10	-	10	µA
Aging (@ 25°C 1st year)	-	±3	-	±3	-	±3	ppm
Storage Temp. Range	-55	125	-55	125	-55	125	°C

Standard frequencies are frequencies which the crystal has been designed and does not imply a stock position.

⁺ Transition times are measured between 10% and 90% of V_{DD}, with an output load of 15pF.

FREQ. STABILITY vs. TEMP. RANGE

Temp. (°C)	ppm		
	±20	±25	±50
-10 ~ +60	○	○	○
-20 ~ +70	△	○	○
-40 ~ +85	×	○	○
-40 ~ +125	×	×	○

* ○: Available △: Conditional X: Not available

* Inclusive of calibration @ 25 °C, operating temperature range, input voltage variation, load variation, aging (1st year), shock, and vibration

Note: not all combination of options are available. Other specifications may be available upon request.

X-ON Electronics

Largest Supplier of Electrical and Electronic Components

Click to view similar products for [Standard Clock Oscillators](#) category:

Click to view products by [TAITIEN](#) manufacturer:

Other Similar products are found below :

[601252](#) [F335-25](#) [F535L-33.333](#) [F535L-50](#) [NBXHBA019LN1TAG](#) [SiT1602BI-22-33E-50.000000E](#) [SiT8209AI-32-33E-125.000000](#)
[SIT8918AA-11-33S-50.000000G](#) [SM4420TEV-40.0M-T1K](#) [F335-24](#) [F335-40](#) [F535L-10](#) [F535L-12](#) [F535L-24](#) [F535L-27](#) [PE7744DW-](#)
[100.0M](#) [ASF1-3.686MHZ-N-K-S](#) [ASV-4.000MHZ-LCS-T](#) [XLH735025.000JU4I8](#) [XLP725125.000JU6I8](#) [XO57CTECNA3M6864](#) [601251](#)
[SiT8503AI-18-33E-0.200000X](#) [SIT8918AA-11-33S-16.000000G](#) [SIT9122AI2C233E300.000000X](#) [XO37CTECNA20M](#) [9120AC-2D2-](#)
[33E212.500000](#) [9102AI-243N25E100.000000](#) [8208AC-82-18E-25.000000](#) [8008AI-72-XXE-24.545454E](#) [8004AC-13-33E-133.33000X](#) [AS-](#)
[4.9152-16-SMD-TR](#) [ASFL1-48.000MHZ-LC-T](#) [632L3I004M00000](#) [SIT8920AM-31-33E-25.0000](#) [9121AC-2C3-25E100.000000](#) [9102AI-](#)
[233N33E100.00000X](#) [9102AI-233N25E200.000000](#) [9102AI-232H25S125.000000](#) [9102AI-133N25E200.000000](#) [9102AC-283N25E200.000000](#)
[9001AC-33-33E1-30.0000](#) [8103AC-13-33E-12.00000X](#) [3921AI-2CF-33NZ125.000000](#) [5730-1SF](#) [XUN736000.032768I](#) [EC3925ETTTTS-](#)
[100.000M TR](#) [SIT1602BC-83-33E-10.000000Y](#) [8003AI-12-33S-40.00000Y](#) [1602BI-13-33S-19.200000E](#)