

# OX Type

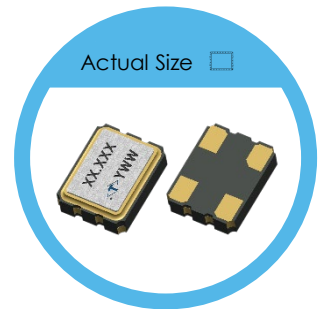
## 3.2 x 2.5 mm SMD Crystal Oscillator

### FEATURES

- Conforms to AEC-Q200
- Typical 3.2 x 2.5 x 0.95 mm Ceramic SMD Package
- Tight Symmetry (45 to 55%) Available
- Operation Voltage: 1.8V, 2.5V, 3.3V
- Tri-State Enable/Disable

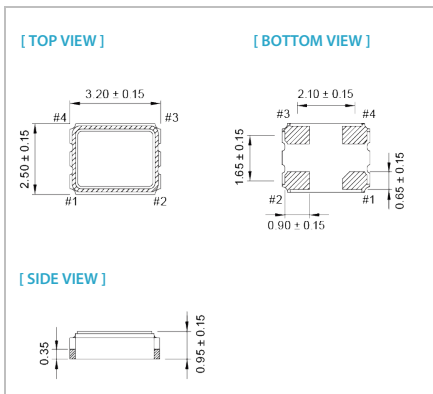
### TYPICAL APPLICATION

- WLAN/WiMax
- Mobile Phone
- DSC, Set-top Box, HDTV

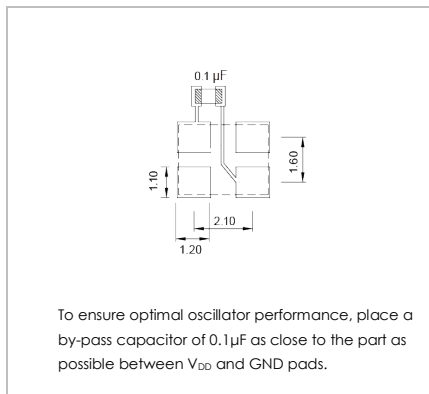


RoHS Compliant

### DIMENSION (mm)



### SOLDER PAD LAYOUT (mm)



### PIN FUNCTION (mm)

PIN#	FUNCTION
1	Tri-State
2	GND
3	Output
4	V <sub>DD</sub>

### ELECTRICAL SPECIFICATION

Parameter	3.3V		2.5V		1.8V		Unit	Test Condition
	Min.	Max.	Min.	Max.	Min.	Max.		
Supply Voltage Variation (V <sub>DD</sub> )	V <sub>DD</sub> - 5%	V <sub>DD</sub> + 5%	V <sub>DD</sub> - 5%	V <sub>DD</sub> + 5%	V <sub>DD</sub> - 5%	V <sub>DD</sub> + 5%	V	
Frequency Range	1.25	125	1.25	125	1.25	125	MHz	
Standard Frequency	24, 26, 30, 40						MHz	Standard frequencies are frequencies which the crystal has been designed and does not imply a stock position.
Supply Current	At 15pF Load		10		7		mA	
	No Load Condition	1.25 MHz ≤ Fo < 10 MHz	1.5		1.2		mA	
		10 MHz ≤ Fo < 20 MHz	2		1.5		mA	
		20 MHz ≤ Fo < 80 MHz	3		2.5		mA	
	80 MHz ≤ Fo < 125 MHz	8		5		mA		
Duty Cycle	45	55	45	55	45	55	%	
Output Level	Output High		2.25		1.62		V	
	Output Low		0.33		0.18		V	
Transition Time: Rise/Fall Time	1.25 MHz ≤ Fo < 10 MHz		3		4		nSec	Transition times are measured between 10% and 90% of V <sub>DD</sub> , with an output load of 15 pF.
	10 MHz ≤ Fo < 20 MHz		3		4		nSec	
	20 MHz ≤ Fo < 80 MHz		3		4		nSec	
	80 MHz ≤ Fo < 125 MHz		3		4		nSec	
Startup Time			2		2		mSec	
Tri-State (Input to Pin 1)	Enable (High Voltage or Floating)		2.31		1.26		V	
	Disable (Low Voltage or GND)		0.99		0.54		V	
Output Loading	15		15		15		pF	
Standby Current (@-40°C to 85°C)	10		10		10		µA	
Standby Current (@-40°C to 125°C)	20		20		20		µA	
Period Jitter (pk-pk)	40		40		40		pSec	
RMS Phase Jitter (Integrated 12 kHz~20 MHz)	1		1		1		pSec	
Aging (@25°C, 1 <sup>st</sup> year)	±3		±3		±3		ppm	
Storage Temp. Range	-55		+125		-55		+125	°C

### FREQ. STABILITY vs. TEMP. RANGE

Temp.(°C)	ppm	±20	±25	±50
-10 ~ +60	○	○	○	○
-20 ~ +70	△	○	○	○
-40 ~ +85	X	△	○	○
-40 ~ +125	X	X	△	△

○: Available    △:Conditional    X: Not Available  
 Inclusive of calibration @ 25°C ,operating temperature range,input Voltage variation,load variation,aging (1<sup>st</sup> year),shock,and vibration

Note: not all combination of options are available. Other specifications may be available upon request.  
 Specifications subject to change without notice.

## X-ON Electronics

Largest Supplier of Electrical and Electronic Components

*Click to view similar products for [Standard Clock Oscillators](#) category:*

*Click to view products by [TAITIEN](#) manufacturer:*

Other Similar products are found below :

[601252](#) [F335-25](#) [F535L-33.333](#) [F535L-50](#) [NBXHBA019LN1TAG](#) [SiT1602BI-22-33E-50.000000E](#) [SIT8918AA-11-33S-50.000000G](#)  
[SM4420TEV-40.0M-T1K](#) [F335-24](#) [F335-40](#) [F535L-10](#) [F535L-12](#) [F535L-24](#) [F535L-27](#) [PE7744DW-100.0M](#) [ASF1-3.686MHZ-N-K-S](#) [ASV-](#)  
[4.000MHZ-LCS-T](#) [XO57CTECNA3M6864](#) [601251](#) [SiT8503AI-18-33E-0.200000X](#) [SIT9122AI2C233E300.000000X](#) [9120AC-2D2-](#)  
[33E212.500000](#) [9102AI-243N25E100.000000](#) [8208AC-82-18E-25.000000](#) [8008AI-72-XXE-24.545454E](#) [8004AC-13-33E-133.330000X](#) [AS-](#)  
[4.9152-16-SMD-TR](#) [ASFL1-48.000MHZ-LC-T](#) [632L3I004M000000](#) [SIT8920AM-31-33E-25.000000](#) [DSC1028DI2-019.2000](#) [9121AC-2C3-](#)  
[25E100.000000](#) [9102AI-233N33E100.000000X](#) [9102AI-233N25E200.000000](#) [9102AI-232H25S125.000000](#) [9102AI-133N25E200.000000](#) [9102AC-](#)  
[283N25E200.000000](#) [9001AC-33-33E1-30.000000](#) [8103AC-13-33E-12.000000X](#) [3921AI-2CF-33NZ125.000000](#) [5730-1SF](#) [XUN736000.032768I](#)  
[ASV-25.000MHZ-ECS-50-T](#) [EC3925ETTTS-100.000M TR](#) [SIT1602BC-83-33E-10.000000Y](#) [8003AI-12-33S-40.000000Y](#) [1602BI-13-33S-](#)  
[19.200000E](#) [8208AI-2F-18E-25.000000X](#) [8103AI-83-33E-33.000000X](#) [8208AI-8F-33E-66.666666X](#)