

# OX Type

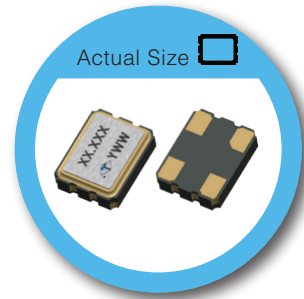
## 3.2 x 2.5 mm SMD Crystal Oscillator

### FEATURE

- Typical 3.2 x 2.5 x 0.95mm Ceramic SMD Package
- Tight Symmetry (45 to 55%) Available
- Operation Voltage: 1.8V, 2.5V, 3.3V
- Tri-State Enable/Disable

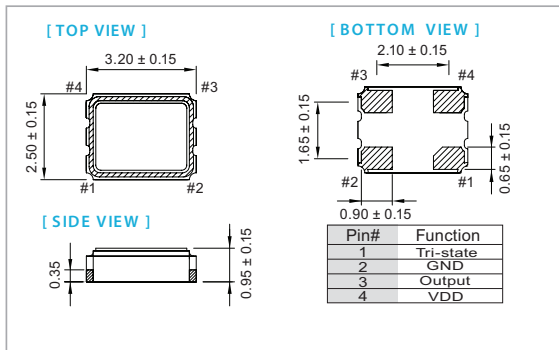
### TYPICAL APPLICATION

- WLAN/WiMAX
- Mobile Phone
- DSC, Set-Top Box, HDTV

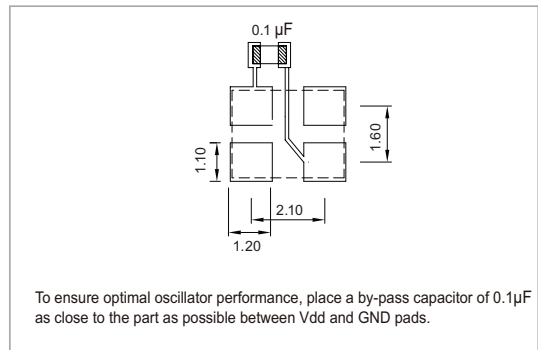


**RoHS Compliant**

### DIMENSION (mm)



### SOLDER PAD LAYOUT (mm)



### ELECTRICAL SPECIFICATION

Parameter	3.3V		2.5V		1.8V		Unit		
	Min.	Max.	Min.	Max.	Min.	Max.			
Supply Voltage Variation (V <sub>DD</sub> )	V <sub>DD</sub> -5%	V <sub>DD</sub> +5%	V <sub>DD</sub> -5%	V <sub>DD</sub> +5%	V <sub>DD</sub> -5%	V <sub>DD</sub> +5%	V		
Frequency Range	1.25	125	1.25	125	1.25	125	MHz		
Standard Frequency	24, 26, 30, 40						MHz		
Supply Current	At 15pF Load		-	15	-	10	-	7	mA
	No Load Condition, 1.25MHz ≤ Fo < 10MHz		-	1.5	-	1.5	-	1.2	mA
	No Load Condition, 10MHz ≤ Fo < 20MHz		-	2	-	2	-	1.5	mA
	No Load Condition, 20MHz ≤ Fo < 80MHz		-	3	-	2.5	-	1.5	mA
	No Load Condition, 80MHz ≤ Fo < 125MHz		-	8	-	7	-	5	mA
Duty Cycle	45	55	45	55	45	55	%		
Output Level	Output High		2.97	-	2.25	-	1.62	-	V
	Output Low		-	0.33	-	0.25	-	0.18	V
Transition Time: Rise / Fall Time <sup>+</sup>	1.25MHz ≤ Fo < 10MHz		-	3	-	4	-	5	nSec
	10MHz ≤ Fo < 20MHz		-	3	-	3	-	4	nSec
	20MHz ≤ Fo < 80MHz		-	3	-	3	-	4	nSec
	80MHz ≤ Fo < 125MHz		-	3	-	3	-	4	nSec
Startup Time	-	2	-	2	-	2	-	2	mSec
Tri-State (Input to Pin 1)	Enable (High Voltage or Floating)		2.31	-	1.75	-	1.26	-	V
	Disable (Low Voltage or GND)		-	0.99	-	0.75	-	0.54	V
Output Loading	15		15		15		pF		
Stand by Current (@-40°C to 85°C)	-	10	-	10	-	10	µA		
Stand by Current (@-40°C to 125°C)	-	20	-	20	-	20	µA		
Period Jitter (Pk-Pk)	-	40	-	40	-	40	pSec		
RMS Phase Jitter (12kHz to 20MHz)	-	1	-	1	-	1	pSec		
Aging (@ 25°C, 1 <sup>st</sup> Year)	-	±3	-	±3	-	±3	ppm		
Storage Temp. Range	-55	+125	-55	+125	-55	+125	°C		

Standard frequencies are frequencies which the crystal has been designed and does not imply a stock position  
<sup>+</sup>Transition times are measured between 10% and 90% of V<sub>DD</sub>, with an output load of 15pF

### FREQ. STABILITY vs. TEMP. RANGE

Temp. (°C)	ppm		
	±20	±25	±50
-10~+60	○	○	○
-20~+70	△	○	○
-40~+85	×	○	○

\* ○: Available △: Conditional X: Not available

\*Inclusive of calibration @ 25°C, operating temperature range, input voltage variation, load variation, aging (1<sup>st</sup> year), shock, and vibration load variation

**Note: not all combination of options are available. Other specifications may be available upon request.**

## X-ON Electronics

Largest Supplier of Electrical and Electronic Components

*Click to view similar products for [Standard Clock Oscillators](#) category:*

*Click to view products by [TAITIEN](#) manufacturer:*

Other Similar products are found below :

[EP1400SJTSC-125.000M](#) [601137](#) [601252](#) [CSX750FBC-24.000M-UT](#) [CSX750FBC-33.333M-UT](#) [CSX750FCC-3.6864M-UT](#) [F335-12](#) [F335-25](#) [F535L-50](#) [DSC506-03FM2](#) [ASA-20.000MHZ-L-T](#) [ASA-25.000MHZ-L-T](#) [ASA-27.000MHZ-L-T](#) [ASV-20.000MHZ-LR-T](#) [ECS-2018-160-BN-TR](#) [EL13C7-H2F-125.00M](#) [MXO45HS-2C-66.6666MHZ](#) [NBXDBB017LN1TAG](#) [NBXHBA019LN1TAG](#) [SiT1602BI-22-33E-50.000000E](#) [SIT8003AC-11-33S-2.04800X](#) [SiT8256AC-23-33E-156.250000X](#) [SIT8918AA-11-33S-50.000000G](#) [SM4420TEV-40.0M-T1K](#) [SMA4306-TL-H](#) [F335-24](#) [F335-40](#) [F335-50](#) [F535L-10](#) [F535L-12](#) [F535L-16](#) [F535L-24](#) [F535L-27](#) [F535L-48](#) [PE7744DW-100.0M](#) [CSX750FBC-20.000M-UT](#) [CSX-750FBC33333000T](#) [CSX750FBC-4.000M-UT](#) [CSX750FBC-7.3728M-UT](#) [CSX750FBC-8.000M-UT](#) [CSX-750FCC14745600T](#) [CSX750FCC-16.000M-UT](#) [CSX-750FCC40000000T](#) [CSX750FCC-4.000M-UT](#) [ASA-22.000MHZ-L-T](#) [ASA2-26.000MHZ-L-T](#) [ASA-40.000MHZ-L-T](#) [ASA-48.000MHZ-L-T](#) [ASA-60.000MHZ-L-T](#) [ASF1-3.686MHZ-N-K-S](#)