

# OX Type

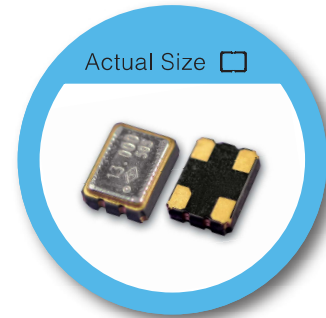
## 3.2 x 2.5 mm SMD Crystal Oscillator

### FEATURE

- Typical 3.2 x 2.5 x 0.95 mm ceramic SMD package.
- Tight symmetry (45 to 55%) available.
- Operation voltage: 1.8V, 2.5V, 3.3V
- Tri-state enable/disable

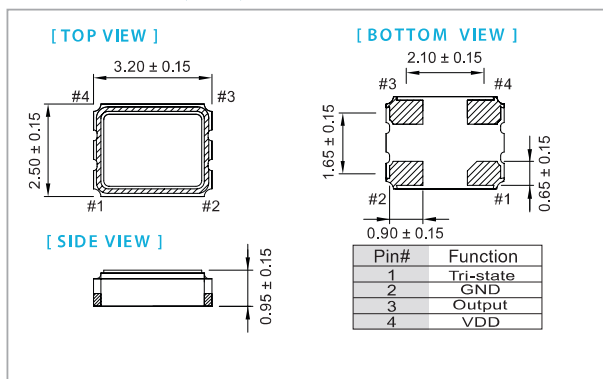
### TYPICAL APPLICATION

- WLAN/WiMAX
- Mobile Phone
- DSC, Set-top Box, HDTV

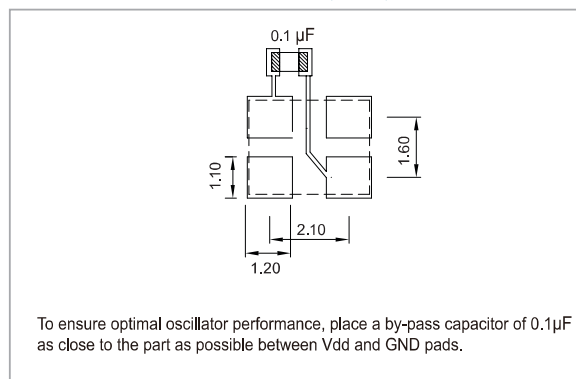


RoHS Compliant

### DIMENSION (mm)



### SOLDER PAD LAYOUT (mm)



### ELECTRICAL SPECIFICATION

Parameter	3.3 V		2.5 V		1.8 V		unit
	Min.	Max.	Min.	Max.	Min.	Max.	
<b>Supply Voltage Variation (V<sub>DD</sub>)</b>	V <sub>DD</sub> -10%	V <sub>DD</sub> +10%	V <sub>DD</sub> -10%	V <sub>DD</sub> +10%	V <sub>DD</sub> -10%	V <sub>DD</sub> +10%	V
<b>Frequency Range</b>	1.25	125	1.25	125	1.25	125	MHz
<b>Standard Frequency</b>	24, 26, 32, 38.4, 40						
<b>Supply Current</b>	1.25 MHz ≤ F <sub>o</sub> < 100 MHz		100 MHz ≤ F <sub>o</sub> ≤ 125 MHz				
	—	15	—	10	—	7	mA
	—	25	—	20	—	12	
<b>Duty Cycle</b>	45	55	45	55	45	55	%
<b>Output Level (CMOS)</b>	Output High (Logic "1")		Output Low (Logic "0")				
	2.97	—	2.25	—	1.62	—	V
	—	0.33	—	0.25	—	0.18	
<b>Transition Time: Rise/Fall Time<sup>+</sup></b>	1.25 MHz ≤ F <sub>o</sub> < 20 MHz		20 MHz ≤ F <sub>o</sub> < 80 MHz		80 MHz ≤ F <sub>o</sub> ≤ 125 MHz		
	—	4	—	4	—	5	nSec
	—	3	—	3	—	4	
	—	3	—	3	—	4	
<b>Start Time</b>	—	2	—	2	—	2	mSec
<b>Tri-State (Input to Pin 1)</b>	Enable (High voltage or floating)		Disable (Low voltage or GND)				
	2.31	—	1.75	—	1.26	—	V
	—	0.99	—	0.75	—	0.54	
<b>Period Jitter (Pk-Pk)</b>	—	40	—	40	—	40	pSec
<b>RMS Phase Jitter (Integrated 12 kHz ~ 20 MHz)</b>	—	1	—	1	—	1	pSec
<b>Standby Current</b>	—	10	—	10	—	10	µA
<b>Aging (@ 25°C 1st year)</b>	—	±3	—	±3	—	±3	ppm
<b>Storage Temp. Range</b>	-55	125	-55	125	-55	125	°C

Standard frequencies are frequencies which the crystal has been designed and does not imply a stock position.

<sup>+</sup> Transition times are measured between 10% and 90% of V<sub>DD</sub>, with an output load of 15pF.

### FREQ. STABILITY vs. TEMP. RANGE

Temp. (°C)	ppm		
	±20	±25	±50
-10 ~ +60	○	○	○
-20 ~ +70	△	○	○
-40 ~ +85	×	○	○
-40 ~ +125	×	×	○

\* ○: Available △: Conditional X: Not available

\* Inclusive of calibration @ 25 °C, operating temperature range, input voltage variation, load variation, aging (1<sup>st</sup> year), shock, and vibration

**Note: not all combination of options are available. Other specifications may be available upon request.**

## X-ON Electronics

Largest Supplier of Electrical and Electronic Components

*Click to view similar products for [Standard Clock Oscillators](#) category:*

*Click to view products by [TAITIEN](#) manufacturer:*

Other Similar products are found below :

[601252](#) [F335-25](#) [F535L-33.333](#) [F535L-50](#) [NBXHBA019LN1TAG](#) [SiT1602BI-22-33E-50.000000E](#) [SiT8209AI-32-33E-125.000000](#)  
[SIT8918AA-11-33S-50.000000G](#) [SM4420TEV-40.0M-T1K](#) [F335-24](#) [F335-40](#) [F535L-10](#) [F535L-12](#) [F535L-24](#) [F535L-27](#) [PE7744DW-](#)  
[100.0M](#) [ASF1-3.686MHZ-N-K-S](#) [ASV-4.000MHZ-LCS-T](#) [XLH735025.000JU4I8](#) [XLP725125.000JU6I8](#) [XO57CTECNA3M6864](#) [601251](#)  
[SiT8503AI-18-33E-0.200000X](#) [SIT8918AA-11-33S-16.000000G](#) [SIT9122AI2C233E300.000000X](#) [XO37CTECNA20M](#) [9120AC-2D2-](#)  
[33E212.500000](#) [9102AI-243N25E100.000000](#) [8208AC-82-18E-25.000000](#) [8008AI-72-XXE-24.545454E](#) [8004AC-13-33E-133.33000X](#) [ASFL1-](#)  
[48.000MHZ-LC-T](#) [632L3I004M00000](#) [SIT8920AM-31-33E-25.0000](#) [9121AC-2C3-25E100.000000](#) [9102AI-233N33E100.00000X](#) [9102AI-](#)  
[233N25E200.000000](#) [9102AI-232H25S125.000000](#) [9102AI-133N25E200.000000](#) [9102AC-283N25E200.000000](#) [9001AC-33-33E1-30.000](#)  
[8103AC-13-33E-12.00000X](#) [3921AI-2CF-33NZ125.000000](#) [5730-1SF](#) [XUN736000.032768I](#) [EC3925ETTTS-100.000M TR](#) [SIT1602BC-83-](#)  
[33E-10.000000Y](#) [8003AI-12-33S-40.00000Y](#) [1602BI-13-33S-19.200000E](#) [8208AI-2F-18E-25.000000X](#)