

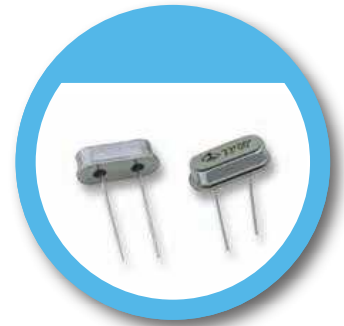
# XI Type 10.8 x 4.5 mm Crystal

## FEATURE

- Typical 10.8 x 4.5 x 3.4 mm standard footprint.
- Low profile for close PCB stacking.

## TYPICAL APPLICATION

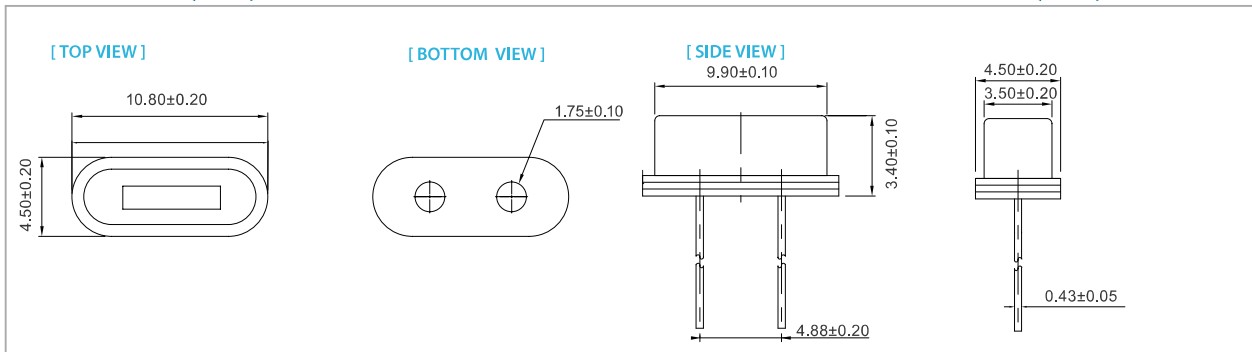
- Automotive
- Bluetooth, Wireless
- Computers, Modems, Communications
- Set-top Box, DECT/WDCT



**RoHS Compliant**

## DIMENSION (mm)

## SOLDER PAD LAYOUT (mm)



## ELECTRICAL SPECIFICATION

| Parameter              | Min.            | Typical | Max. | Unit       |
|------------------------|-----------------|---------|------|------------|
| Storage Temp. Range    | -55             | -       | 125  | °C         |
| Level of Drive         | -               | 10      | 800  | µw         |
| Shunt Capacitance (Co) | -               | -       | 7.0  | pF         |
| Insulation Resistance  | 500 MΩ @ DC100V | -       | -    |            |
| Aging                  |                 | ±5      |      | ppm / year |

Standard frequencies are frequencies which the crystal has been designed and does not imply a stock position.

## EQUIVALENT SERIES RESISTANCE (E.S.R)

| Frequency Range             | MODE | E.S.R  |
|-----------------------------|------|--------|
| $F_o \leq 3.58 \text{ MHz}$ | A1   | <140 Ω |
| 4 MHz < $F_o$ < 5 MHz       | A1   | <120 Ω |
| 5 MHz ≤ $F_o$ < 7 MHz       | A1   | <80 Ω  |
| 7 MHz ≤ $F_o$ < 9 MHz       | A1   | <45 Ω  |
| 9 MHz ≤ $F_o$ < 13 MHz      | A1   | <40 Ω  |
| 13 MHz ≤ $F_o$ < 16 MHz     | A1   | <35 Ω  |
| 16 MHz ≤ $F_o$ < 20 MHz     | A1   | <30 Ω  |
| 20 MHz ≤ $F_o$ < 30 MHz     | A1   | <25 Ω  |
| 30 MHz ≤ $F_o$ < 36 MHz     | A1   | <25 Ω  |
| 30 MHz ≤ $F_o$ < 36 MHz     | A3   | <80 Ω  |
| 36 MHz ≤ $F_o$ ≤ 80 MHz     | A3   | <80 Ω  |

## FREQ. STABILITY vs. LOAD CAPACITANCE

| Load Capacitance | ppm | ±5 | ±10 | ±15 | ±20 | ±30 |
|------------------|-----|----|-----|-----|-----|-----|
| 8pF              |     | X  | X   | △   | ○   | ○   |
| 10pF             |     | X  | X   | △   | ○   | ○   |
| 12pF             |     | X  | △   | ○   | ○   | ○   |
| 16pF             |     | X  | △   | ○   | ○   | ○   |
| Series           |     | △  | ○   | ○   | ○   | ○   |

\* ○: Available △: Conditional X: Not available

## FREQ. STABILITY vs. TEMP. RANGE

| Temp. (°C) | ppm | ±5 | ±10 | ±15 | ±20 |
|------------|-----|----|-----|-----|-----|
| -10 ~ +60  |     | X  | ○   | ○   | ○   |
| -20 ~ +70  |     | X  | △   | ○   | ○   |
| -40 ~ +85  |     | X  | X   | X   | ○   |

\* ○: Available △: Conditional X: Not available

**Note: not all combination of options are available. Other specifications may be available upon request.**

## X-ON Electronics

Largest Supplier of Electrical and Electronic Components

*Click to view similar products for [Resonators](#) category:*

*Click to view products by [TAITIEN](#) manufacturer:*

Other Similar products are found below :

[B39431R820H210](#) [CSAC2.00MGCM-TC](#) [ECS-HFR-40.00-B-TR](#) [CSTLS4M00G53Z-A0](#) [ZTB455E](#) [ECS-CR2-16.00-A-TR](#) [ECS-HFR-20.00-B-TR](#) [ECS-CR2-20.00-A-TR](#) [RO3164E-3](#) [ASR418S2-T](#) [CSTNE10M0G520000R0](#) [CSTLS8M00G53093-A0](#) [CSTNE12M0G52A000R0](#) [CSTLS18M4X54-A0](#) [CSTLS16M9X53Z-B0](#) [CSTLS24M0X51-A0](#) [CSTLS25M0X51-B0](#) [CSTLS18M0X51-B0](#) [CSTLS4M00G53093-A0](#) [CSTLS18M4X53-A0](#) [CSTNE16M0V510000R0](#) [CSTLS30M0X53-B0](#) [CSTLS33M8X53-B0](#) [CSTLS16M9X53-A0](#) [CSTLS6M40G56-B0](#) [CSTLS6M25G56-A0](#) [CSTNE14M7V510000R0](#) [CSTLS18M4X53-B0](#) [CSTLS33M0X51-B0](#) [CSTLS5M50G56-B0](#) [7B008000I01](#) [7D038400I01](#) [TAXM24M2ILDBET2T](#) [TAXM26M2IHDBET2T](#) [146-32.768-12.5-20-20/A](#) [3225-24.00-12-10-10/A](#) [7B009843M01](#) [CF4016M00009T8188042](#) [S32400001B0730D1JB](#) [X252016MLB4SI](#) [Q24FA20H00389](#) [CSTLS16M0X54-B0](#) [CSTLS4M19G56-B0](#) [9AC04194152080D2JB](#) [CST3.58MGW](#) [CSTCR4M91G55B-R0](#) [CSTLS3M68G56-B0](#) [S2100327072090](#) [FC-12M32.768KHZ9PF20PPM](#) [7Y032768NW2](#)