

XY Type

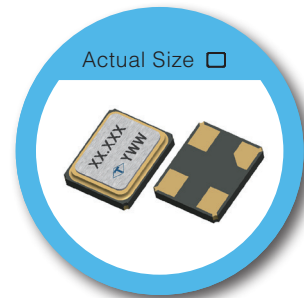
2.5 x 2.0 mm SMD Crystal

FEATURE

- Typical 2.5 x 2.0 x 0.45 mm ultra thin ceramic package.
- 8 mm width Tape & Reel package for automatic assembly.
- Tight tolerance 10 ppm available.

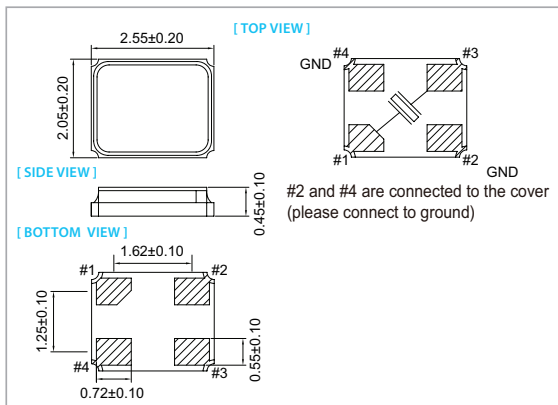
TYPICAL APPLICATION

- Bluetooth , Mobile phone, Wireless LAN.
- Office Automation
- Audio & Video

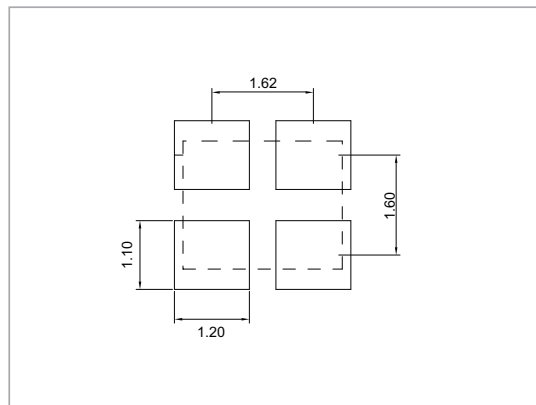


RoHS Compliant

DIMENSION (mm)



SOLDER PAD LAYOUT (mm)



ELECTRICAL SPECIFICATION

| Parameter | Min. | Typical | Max. | Unit |
|------------------------|----------------|----------------|------|------------|
| Storage Temp. Range | -40 | - | 125 | °C |
| Standard Frequency | | 16, 24, 26, 40 | | MHz |
| Level of Drive | - | 10 | 200 | μw |
| Shunt Capacitance (Co) | - | - | 3.0 | pF |
| Insulation Resistance | 500 MΩ@ DC100V | - | - | |
| Aging | | ±1.0 to ±3.0 | | ppm / year |

Standard frequencies are frequencies which the crystal has been designed and does not imply a stock position.

EQUIVALENT SERIES RESISTANCE (E. S. R.)

| Frequency Range | MODE | E.S.R |
|----------------------|------|--------|
| 12 MHz ≤ Fo < 20 MHz | A1 | <150 Ω |
| 20 MHz ≤ Fo ≤ 30 MHz | A1 | <80 Ω |
| 30 MHz < Fo ≤ 54 MHz | A1 | <60 Ω |

FREQ. STABILITY vs. TEMP. RANGE

| Temp. (°C) | ppm | | |
|------------|-----|-----|-----|
| | ±5 | ±10 | ±15 |
| -10 ~ +60 | △ | ○ | ○ |
| -20 ~ +70 | X | △ | ○ |
| -40 ~ +85 | X | X | △ |

* ○: Available △: Conditional X: Not available

FREQ. STABILITY vs. WIDE TEMP. RANGE

| Temp. (°C) | ppm | | | |
|------------|-----|-----|-----|-----|
| | ±15 | ±20 | ±30 | ±50 |
| -40 ~ +105 | △ | ○ | ○ | ○ |
| -40 ~ +125 | X | X | △ | ○ |

* ○: Available △: Conditional X: Not available

Note: not all combination of options are available. Other specifications may be available upon request.

X-ON Electronics

Largest Supplier of Electrical and Electronic Components

Click to view similar products for [Resonators](#) category:

Click to view products by [TAITIEN](#) manufacturer:

Other Similar products are found below :

[B39431R820H210](#) [CSAC2.00MGCM-TC](#) [ECS-HFR-40.00-B-TR](#) [CSTLS4M00G53Z-A0](#) [ZTB455E](#) [ECS-CR2-16.00-A-TR](#) [ECS-HFR-20.00-B-TR](#) [ECS-CR2-20.00-A-TR](#) [RO3164E-3](#) [ASR418S2-T](#) [CSTNE10M0G520000R0](#) [CSTLS8M00G53093-A0](#) [CSTNE12M0G52A000R0](#) [CSTLS18M4X54-A0](#) [CSTLS16M9X53Z-B0](#) [CSTLS24M0X51-A0](#) [CSTLS25M0X51-B0](#) [CSTLS18M0X51-B0](#) [CSTLS4M00G53093-A0](#) [CSTLS18M4X53-A0](#) [CSTNE16M0V510000R0](#) [CSTLS30M0X53-B0](#) [CSTLS33M8X53-B0](#) [CSTLS16M9X53-A0](#) [CSTLS6M40G56-B0](#) [CSTLS6M25G56-A0](#) [CSTNE14M7V510000R0](#) [CSTLS18M4X53-B0](#) [CSTLS33M0X51-B0](#) [CSTLS5M50G56-B0](#) [7B008000I01](#) [7D038400I01](#) [TAXM24M2ILDBET2T](#) [TAXM26M2IHDBET2T](#) [146-32.768-12.5-20-20/A](#) [3225-24.00-12-10-10/A](#) [7B009843M01](#) [CF4016M00009T8188042](#) [S32400001B0730D1JB](#) [X252016MLB4SI](#) [Q24FA20H00389](#) [CSTLS16M0X54-B0](#) [CSTLS4M19G56-B0](#) [9AC04194152080D2JB](#) [CST3.58MGW](#) [CSTCR4M91G55B-R0](#) [CSTLS3M68G56-B0](#) [S2100327072090](#) [FC-12M32.768KHZ9PF20PPM](#) [7Y032768NW2](#)