

## Single-Stage PFC Buck Current Control LED Driver With High Voltage MOSFET Integrated

### DESCRIPTION

TS19721D a very efficient constant current controller for driving LED lamps in non-dimmable lighting applications. The IC provides a high power factor correction and constant current accuracy with boundary conduction mode (BCM) operation in a single stage buck topology. The TS19721D controller is easy to integrate with a small BOM and includes an internal high voltage power MOSFET for PWM control. Total harmonic distortion (THD) and efficiency are optimized by an external resistor. The line and load regulation of LED current are easily maintained to within  $\pm 2.5\%$ . TS19721D also provides  $V_{CC}$  over-voltage protection, and output open/short circuit protection.

### FEATURES

- Integrated 600V Power MOSFET
- Low THD <20% (Option)
- Constant current accuracy within  $\pm 2.5\%$
- High Power Factor Correction >0.9
- Boundary Current Mode control
- LED open protection & short protection
- Over current protection (OCP)
- Over temperature protection (OTP)
- Compliant to RoHS directive 2011/65/EU and in accordance to WEEE 2002/96/EC.
- Halogen-free according to IEC 61249-2-21 definition.

### APPLICATION

- LED lighting system



### Pin Definition:

1. CS
2. COM
3. N/C
4. Drain
5. RT
6. GND
7.  $V_{CC}$
8. CS

**Notes:** Moisture sensitivity level: level 3. Per J-STD-020

ABSOLUTE MAXIMUM RATINGS ( $T_A = 25^\circ\text{C}$ unless otherwise specified) <sup>(Note 1)</sup>			
PARAMETER	SYMBOL	LIMIT	UNIT
Power Supply Pin	$V_{CC}$	40	V
RT Voltage to GND	$V_{RT}$	-0.3 to 5.5	V
DRAIN Voltage to GND	$V_{OUT}$	-0.3 to 620	V
CS Voltage to GND	$V_{CS}$	-0.3 to 5.5	V
COM Voltage to GND	$V_{COM}$	-0.3 to 5.5	V
Junction Temperature Range	$T_J$	-40 to +150	$^\circ\text{C}$
Storage Temperature Range	$T_{STG}$	-65 to +150	$^\circ\text{C}$
Lead Temperature (Soldering 10 sec)	$T_{LEAD}$	260	$^\circ\text{C}$
Power Dissipation @ $T_A=25^\circ\text{C}$	$P_D$	0.3	W
ESD Rating (Human Body Mode) <sup>(Note 2)</sup>	HBM	2	kV
ESD Rating (Machine Mode) <sup>(Note 2)</sup>	MM	200	V

<b>THERMAL PERFORMANCE</b> (Note 3)			
PARAMETER	SYMBOL	LIMIT	UNIT
Thermal Resistance - Junction to Case	$R_{\theta JC}$	106.6	$^{\circ}\text{C/W}$
Thermal Resistance - Junction to Ambient	$R_{\theta JA}$	220	$^{\circ}\text{C/W}$

<b>RECOMMENDED OPERATING CONDITION</b> ( $T_A = 25^{\circ}\text{C}$ unless otherwise specified) (Note 4)			
PARAMETER	SYMBOL	LIMIT	UNIT
Power Supply Pin	$V_{CC}$	33	V
RT Voltage to GND	$V_{RT}$	-0.3 to 5	V
DRAIN Voltage to GND	$V_{OUT}$	-0.3 to 620	V
CS Voltage to GND	$V_{CS}$	-0.3 to 5	V
COM Voltage to GND	$V_{COM}$	-0.3 to 5	V
Operating Junction Temperature Range	$T_J$	-40 to +150	$^{\circ}\text{C}$
Operating Ambient Temperature Range	$T_{OPA}$	-40 to +85	$^{\circ}\text{C}$

<b>ELECTRICAL SPECIFICATIONS</b> ( $T_A = 25^{\circ}\text{C}$ unless otherwise specified)						
PARAMETER	SYMBOL	CONDITION	MIN	TYP	MAX	UNIT
<b>Supply Voltage</b>						
Start-up Current	$V_{CC(ST)}$	$V_{CC} = V_{UVLO(on)} - 1V$	--	45	--	$\mu\text{A}$
Operating Current	$I_{OPA}$	With 1nF load on out pin	--	2.1	2.6	mA
UVLO(off)	$V_{UVLO(off)}$		7	8	9	V
UVLO(on)	$V_{UVLO(on)}$		16	17.5	19	V
OVP Level on $V_{CC}$ Pin	$V_{OVP}$		29	31	33	V
<b>Voltage Feedback</b>						
Feedback Reference Voltage	$V_{FB}$		0.196	0.2	0.204	V
Transconductance	$G_M$		--	58	--	$\mu\text{S}$
Output Sink Current	$I_{O-SINK}$		--	5.8	--	$\mu\text{A}$
Output Source Current	$I_{O-SOURCE}$		--	5.8	--	$\mu\text{A}$
<b>Current Sensing</b>						
CS Limit Voltage	$V_{OCP}$		--	1.4	--	V
Open Loop Voltage	$V_{OLP}$	CS Pin Open	--	5	--	V
Leading-Edge Blanking Time	$LEB_t$		--	400	--	ns
Delay to Output			--	100	--	ns
<b>Switching Frequency</b>						
Start Frequency	$f_{STR}$		3	4.5	6	kHz
Maximum On Time	$T_{ON(MAX)}$		14	--	--	$\mu\text{s}$
<b>Thermal Section</b> (Note 5, 6)						
Thermal Shutdown			--	150	--	$^{\circ}\text{C}$
Thermal Shutdown Release			--	120	--	$^{\circ}\text{C}$

<b>ELECTRICAL SPECIFICATIONS</b> ( $T_A = 25^\circ\text{C}$ unless otherwise specified)						
PARAMETER	SYMBOL	CONDITION	MIN	TYP	MAX	UNIT
<b>MOSFET Section</b> (Note 7)						
Drain-Source Breakdown Voltage	$BV_{DS}$	$V_{GS} = 0V, I_D = 250\mu A$	600	--	--	V
Zero Gate Voltage Drain Current	$I_{DSS}$	$V_{DS} = 600V, V_{GS} = 0V$	--	--	10	$\mu A$
<b>MOSFET Section</b> (Note 8,9)						
Continuous Drain Current	$I_D$	$T_C = 25^\circ\text{C}$	--	--	2	A
Pulsed Drain Current	$I_{DM}$		--	--	8	A
Drain-Source On-Resistance	$R_{DS(ON)}$	$V_{GS} = 10V, I_D = 1A$	--	--	4.4	$\Omega$
Single Pulse Avalanche Energy	$E_{AS}$	$V_{DD} = 50V, I_{AS} = 2A, L = 25mH, R_G = 25\Omega$	--	--	55	mJ
Input Capacitance	$C_{ISS}$	$V_{DS} = 25V, V_{GS} = 0V, f = 1.0MHz$	--	249	--	pF
Output Capacitance	$C_{OSS}$		--	30.7	--	
Reverse Transfer Capacitance	$C_{RSS}$		--	5	--	
Turn-On Delay Time	$t_{d(on)}$	$V_{GS} = 10V, I_D = 2A, V_{DD} = 300V, R_G = 25\Omega$	--	9.1	--	ns
Turn-On Rise Time	$t_r$		--	9.8	--	
Turn-Off Delay Time	$t_{d(off)}$		--	17.4	--	
Turn-Off Fall Time	$t_f$		--	12.4	--	

**Note:**

- Stresses listed as the above "Absolute Maximum Ratings" may cause permanent damage to the device. These are for stress ratings. Functional operation of the device at these or any other conditions beyond those indicated in the operational sections of the specifications is not implied. Exposure to absolute maximum rating conditions for extended periods may remain possibility to affect device reliability.
- Devices are ESD sensitive. Handling precaution recommended.
- Thermal Resistance is specified with the component mounted on a low effective thermal conductivity test board in free air at  $T_A = 25^\circ\text{C}$ .
- The device is not guaranteed to function outside its operating conditions.
- Guaranteed by design.
- Auto Recovery Type.
- Pulse test:  $PW \leq 300\mu s$ , duty cycle  $\leq 2\%$
- For DESIGN AID ONLY. Limited by maximum junction temperature.
- Switching time is essentially independent of operating temperature.

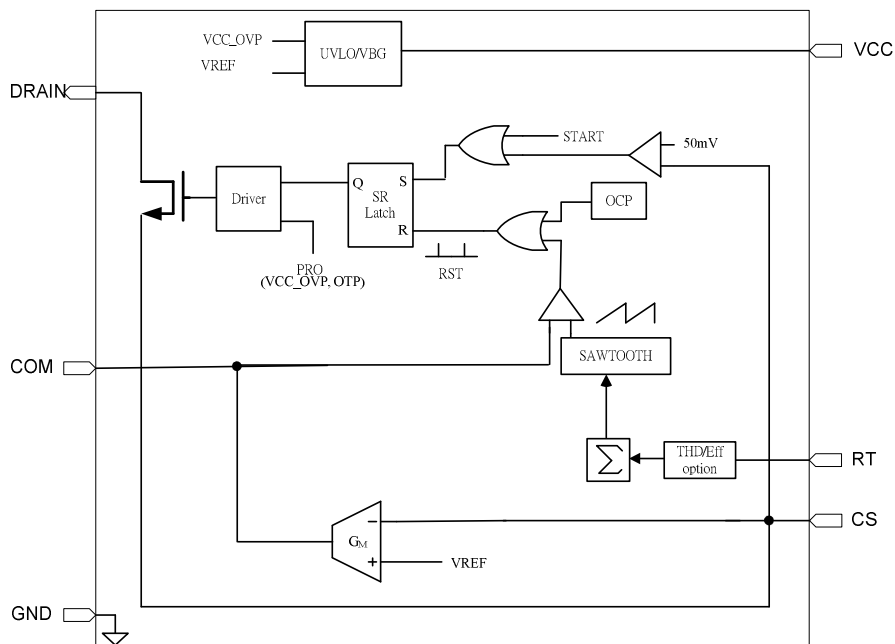
**ORDERING INFORMATION**

PART NO.	PACKAGE	PACKING
TS19721DCS RLG	SOP-8	2,500pcs / 13" Reel

**Note:**

1. Compliant to RoHS Directive 2011/65/EU and in accordance to WEEE 2002/96/EC.
2. Halogen-free according to IEC 61249-2-21 definition.

**Function Block**



**PIN DESCRIPTION**

PIN NO.	NAME	FUNCTION
1,8	CS	Input current sense pin.
2	COM	Output pin of error amplifier.
3	N/C	No Connect.
4	Drain	Drain of internal HV MOS.
5	RT	Efficiency / THD option pin.
6	GND	Ground return for all internal circuitry.
7	V <sub>CC</sub>	Power supply pin for all internal circuitry.

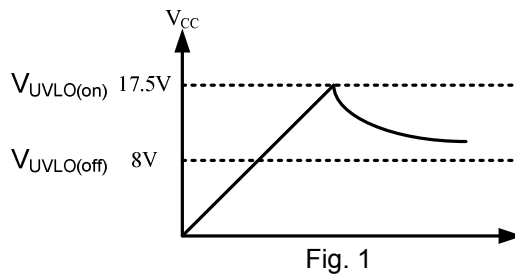
**APPLICATION INFORMATION**

**Start-up Current**

The typical start-up current is around 45μA. The very low start-up current allows the PWM controller to operate with a high value start-up resistor and reduce overall power dissipation.

**UVLO(Under Voltage Lockout)**

A hysteretic UVLO comparator is implemented in TS19721D. The turn-on and turn-off thresholds level are fixed at 17.5V and 8V respectively. This hysteresis shown in Fig.1 ensures that the start-up capacitor will be adequate to supply the chip during start-up. For quick start-up of the LED driver, the start-up resistor & capacitor needs to optimize for application.



**LEB(Leading-Edge Blanking)**

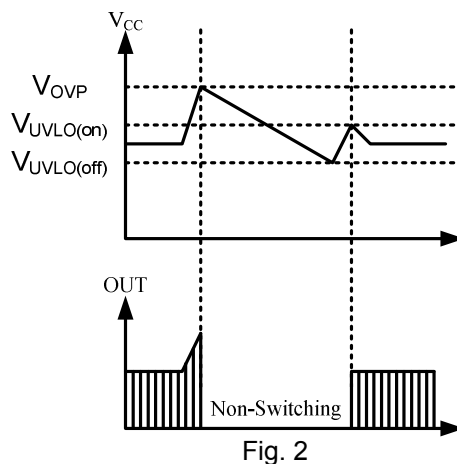
Each time the power MOSFET is switched on, a turn-on spike will inevitably occur at the sense resistor. A 400ns leading-edge blanking time is built in to avoid a false trigger.. Conventional RC filtering can therefore be omitted. During this blanking period, the current-limit comparator is disabled and cannot switch off the gate driver.

**OCP(Over Current Protection)**

The TS19721D has built-in cycle-by-cycle over-current protection functions available at the CS pin. When the CS pin voltage is larger than V<sub>OCP</sub> (1.4V), the gate output will be turned off immediately to avoid over temperature damage.

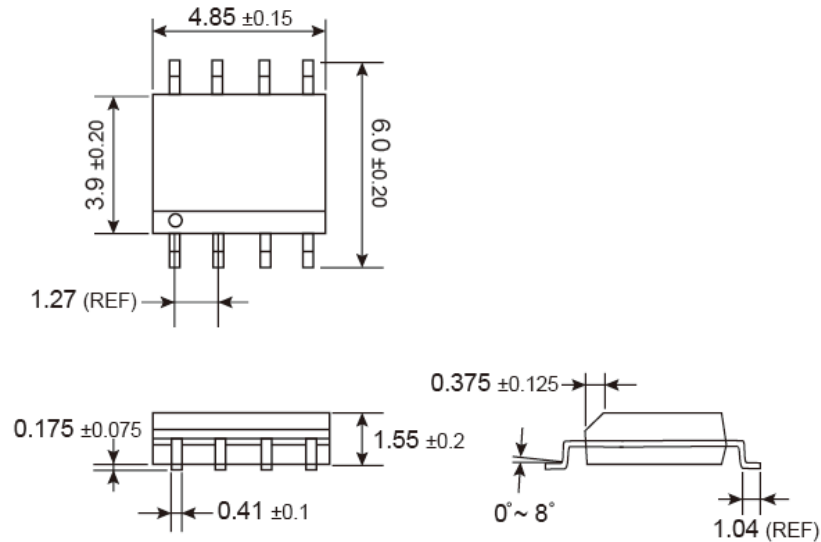
**OVP (Over Voltage Protection) on V<sub>CC</sub>**

To prevent the LED driver from being damaged, the TS19721D has an integrated OVP on V<sub>CC</sub>. When the V<sub>CC</sub> voltage is higher than the V<sub>OVP</sub> (31V), the output MOSFET will be shut down immediately. The OVP on the V<sub>CC</sub> pin will automatically recover.. If the OVP triggers, the output PWM pulses will be stopped until the V<sub>CC</sub> pin voltage returns to the UVLO off level when the TS19721D will automatically recover as shown in Fig. 2.

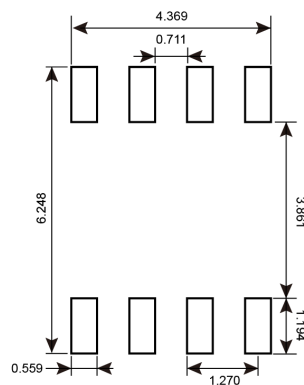


**PACKAGE OUTLINE DIMENSIONS** (Unit: Millimeters)

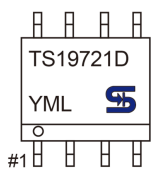
**SOP-8**



**SUGGESTED PAD LAYOUT** (Unit: Millimeters)



**MARKING DIAGRAM**



- x** = Series code
- Y** = Year Code
- M** = Month Code for Halogen Free Product
  - O** =Jan    **P** =Feb    **Q** =Mar    **R** =Apr
  - S** =May    **T** =Jun    **U** =Jul    **V** =Aug
  - W** =Sep    **X** =Oct    **Y** =Nov    **Z** =Dec
- L** = Lot Code (1~9, A~Z)

## Notice

Specifications of the products displayed herein are subject to change without notice. TSC or anyone on its behalf, assumes no responsibility or liability for any errors or inaccuracies.

Information contained herein is intended to provide a product description only. No license, express or implied, to any intellectual property rights is granted by this document. Except as provided in TSC's terms and conditions of sale for such products, TSC assumes no liability whatsoever, and disclaims any express or implied warranty, relating to sale and/or use of TSC products including liability or warranties relating to fitness for a particular purpose, merchantability, or infringement of any patent, copyright, or other intellectual property right.

The products shown herein are not designed for use in medical, life-saving, or life-sustaining applications. Customers using or selling these products for use in such applications do so at their own risk and agree to fully indemnify TSC for any damages resulting from such improper use or sale.

## X-ON Electronics

Largest Supplier of Electrical and Electronic Components

*Click to view similar products for [LED Lighting Drivers](#) category:*

*Click to view products by [Taiwan Semiconductor](#) manufacturer:*

Other Similar products are found below :

[LV5235V-MPB-H](#) [MB39C602PNF-G-JNEFE1](#) [MIC2871YMK-T5](#) [AL1676-10BS7-13](#) [AL1676-20AS7-13](#) [AP5726WUG-7](#) [ICL8201](#)  
[IS31BL3228B-UTLS2-TR](#) [IS31BL3506B-TTLS2-TR](#) [AL3157F-7](#) [LV52204MTTBG](#) [AP5725WUG-7](#) [STP4CMPQTR](#) [NCL30086BDR2G](#)  
[CAT4004BHU2-GT3](#) [LV52207AXA-VH](#) [AP1694AS-13](#) [TLE4242EJ](#) [AS3688](#) [IS31LT3172-GRLS4-TR](#) [TLD2311EL](#) [KTD2694EDQ-TR](#)  
[KTZ8864EJAA-TR](#) [IS32LT3174-GRLA3-TR](#) [MP2488DN-LF-Z](#) [NLM0010XTSA1](#) [AL1676-20BS7-13](#) [ZXLD1370QESTTC](#) [MPQ7220GF-](#)  
[AEC1-P](#) [MPQ7220GR-AEC1-P](#) [MPQ4425BGJ-AEC1-P](#) [MPQ7220GF-AEC1-Z](#) [MPQ7220GR-AEC1-Z](#) [MPQ4425BGJ-AEC1-Z](#)  
[IS31FL3737B-QFLS4-TR](#) [IS31FL3239-QFLS4-TR](#) [KTD2058EUAC-TR](#) [KTD2037EWE-TR](#) [DIO5662ST6](#) [IS31BL3508A-TTLS2-TR](#)  
[KTD2026BEWE-TR](#) [MAX20052CATC/V+](#) [MAX25606AUP/V+](#) [BD6586MUV-E2](#) [BD9206EFV-E2](#) [LYT4227E](#) [LYT6079C-TL](#)  
[MP3394SGF-P](#) [MP4689AGN-P](#) [MPQ4425AGQB-AEC1-Z](#)