

N-Channel Power MOSFET

60V, 38A, 17mΩ

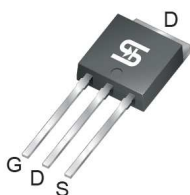
FEATURES

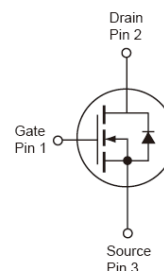
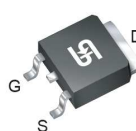
- 100% avalanche tested
- Suitable for 5V drive applications
- Pb-free plating
- RoHS compliant
- Halogen-free mold compound

KEY PERFORMANCE PARAMETERS			
PARAMETER		VALUE	UNIT
V_{DS}		60	V
$R_{DS(on)}$ (max)	$V_{GS}=10V$	17	mΩ
	$V_{GS}=4.5V$	20	
Q_g		15	nC

APPLICATION

- SMPS Synchronous Rectification
- Networking DC-DC Power System


TO-251 (IPAK)

TO-251S (IPAK SL)

TO-252 (DPAK)

Notes: Moisture sensitivity level: level 3. Per J-STD-020

ABSOLUTE MAXIMUM RATINGS ($T_A = 25^\circ\text{C}$ unless otherwise noted)			
PARAMETER	SYMBOL	LIMIT	UNIT
Drain-Source Voltage	V_{DS}	60	V
Gate-Source Voltage	V_{GS}	± 20	V
Continuous Drain Current ^(Note 1)	I_D	$T_C = 25^\circ\text{C}$	38
		$T_C = 100^\circ\text{C}$	24
Pulsed Drain Current ^(Note 2)	I_{DM}	152	A
Single Pulsed Avalanche Energy ^(Note 3)	E_{AS}	20	mJ
Single Pulsed Avalanche Current ^(Note 3)	I_{AS}	20	A
Total Power Dissipation @ $T_C = 25^\circ\text{C}$	P_{DTOT}	46	W
Operating Junction and Storage Temperature Range	T_J, T_{STG}	- 55 to +150	$^\circ\text{C}$

THERMAL PERFORMANCE			
PARAMETER	SYMBOL	LIMIT	UNIT
Junction to Case Thermal Resistance	$R_{\theta JC}$	2.7	$^\circ\text{C/W}$
Junction to Ambient Thermal Resistance	$R_{\theta JA}$	62	$^\circ\text{C/W}$

Notes: $R_{\theta JA}$ is the sum of the junction-to-case and case-to-ambient thermal resistances. The case thermal reference is defined at the solder mounting surface of the drain pins. $R_{\theta JA}$ is guaranteed by design while $R_{\theta CA}$ is determined by the user's board design. $R_{\theta JA}$ shown below for single device operation on FR-4 PCB in still air

ELECTRICAL SPECIFICATIONS (T _A = 25°C unless otherwise noted)						
PARAMETER	CONDITIONS	SYMBOL	MIN	TYP	MAX	UNIT
Static (Note 4)						
Drain-Source Breakdown Voltage	V _{GS} = 0V, I _D = 250μA	BV _{DSS}	60	--	--	V
Gate Threshold Voltage	V _{DS} = V _{GS} , I _D = 250uA	V _{GS(TH)}	1.2	1.7	2.5	V
Gate Body Leakage	V _{GS} = ±20V, V _{DS} = 0V	I _{GSS}	--	--	±100	nA
Zero Gate Voltage Drain Current	V _{DS} = 60V, V _{GS} = 0V	I _{DSS}	--	--	1	μA
	V _{DS} = 48V, V _{GS} = 0V, T _J = 125°C		--	--	10	
Drain-Source On-State Resistance	V _{GS} = 10V, I _D = 20A	R _{DS(ON)}	--	15	17	mΩ
	V _{GS} = 4.5V, I _D = 10A		--	17.5	20	
Dynamic (Note 5)						
Total Gate Charge	V _{DS} = 30V, I _D = 10A, V _{GS} = 4.5V	Q _g	--	15	--	nC
Gate-Source Charge		Q _{gs}	--	5.5	--	
Gate-Drain Charge		Q _{gd}	--	5	--	
Input Capacitance	V _{DS} = 25V, V _{GS} = 0V, f = 1.0MHz	C _{iss}	--	900	--	pF
Output Capacitance		C _{oss}	--	130	--	
Reverse Transfer Capacitance		C _{rss}	--	90	--	
Gate Resistance	F = 1MHz, open drain	R _g	--	2.2	--	Ω
Switching (Note 6)						
Turn-On Delay Time	V _{GS} = 10V, V _{DS} = 15V, R _G = 6Ω, I _D = 1A	t _{d(on)}	--	8.6	--	ns
Turn-On Rise Time		t _r	--	24.2	--	
Turn-Off Delay Time		t _{d(off)}	--	32.3	--	
Turn-Off Fall Time		t _f	--	7.9	--	
Source-Drain Diode (Note 4)						
Diode Forward Voltage	V _{GS} =0V, I _S =10A	V _{SD}	--	--	1	V
Reverse Recovery Time	V _{GS} = 0V, I _S = 10A	t _{rr}	--	18	--	ns
Reverse Recovery Charge	dI _F /dt = 100A/μs	Q _{rr}	--	10	--	nC

Notes:

1. Current limited by package
2. Pulse width limited by the maximum junction temperature
3. L = 0.1mH, I_{AS} = 20A, V_{DD} = 50V, R_G = 25Ω, Starting T_J = 25°C
4. Pulse test: PW ≤ 300μs, duty cycle ≤ 2%
5. For DESIGN AID ONLY, not subject to production testing.
6. Switching time is essentially independent of operating temperature.

ORDERING INFORMATION

PART NO.	PACKAGE	PACKING
TSM170N06CP ROG	TO-252(DPAK)	2,500pcs / 13" Reel
TSM170N06CH C5G	TO-251(IPAK)	75pcs / Tube
TSM170N06CH X0G	TO-251S(IPAK SL)	75pcs / Tube

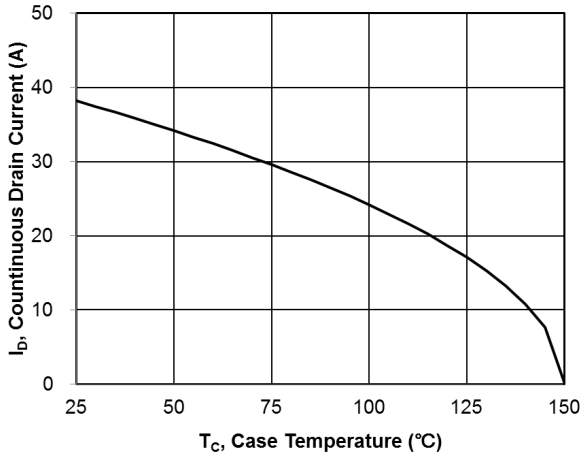
Note:

1. Compliant to RoHS Directive 2011/65/EU and in accordance to WEEE 2002/96/EC
2. Halogen-free according to IEC 61249-2-21 definition

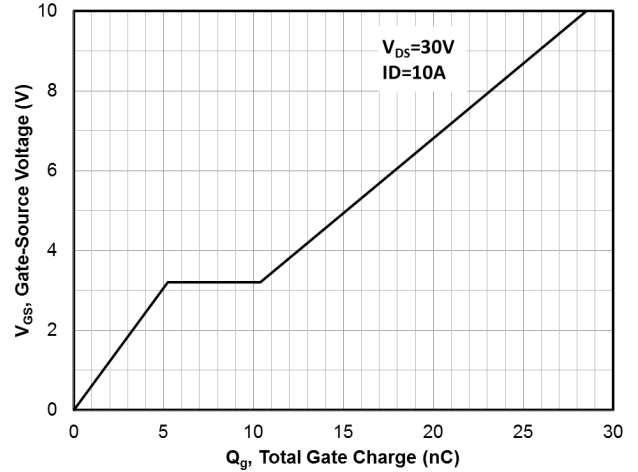
CHARACTERISTICS CURVES

($T_C = 25^\circ\text{C}$ unless otherwise noted)

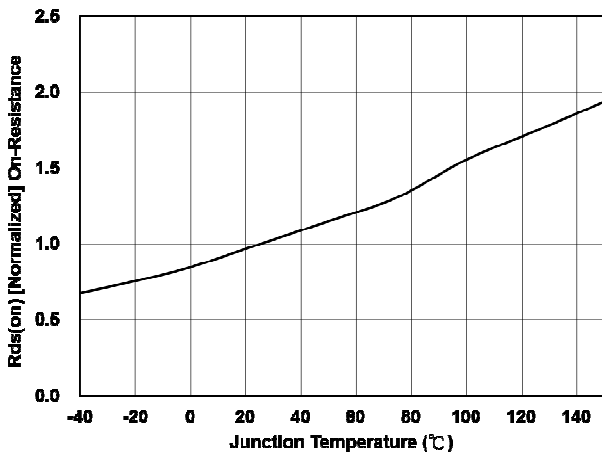
Continuous Drain Current vs. T_C



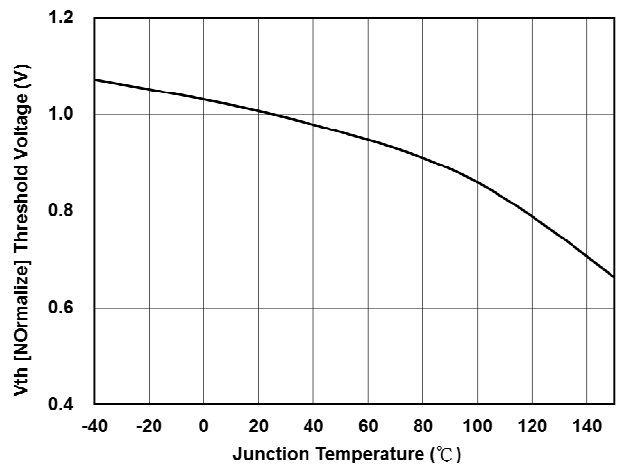
Gate Charge



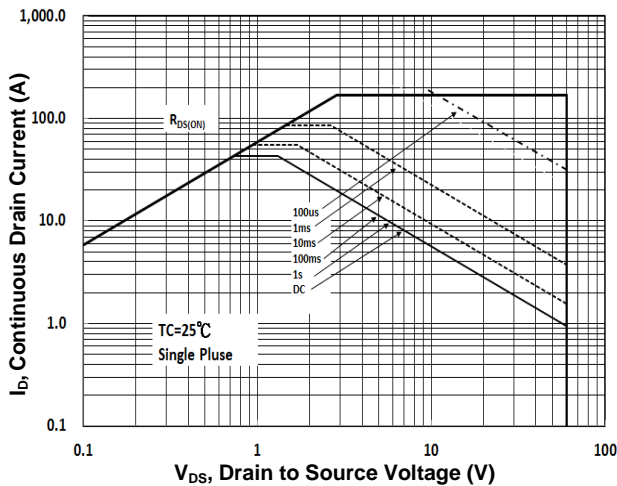
On-Resistance vs. Junction Temperature



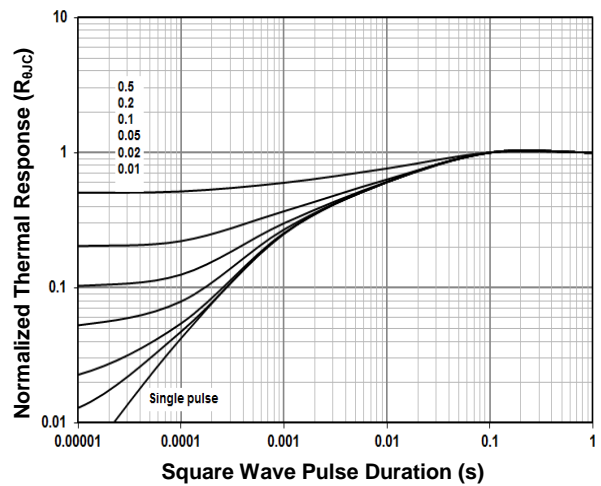
Threshold Voltage vs. Junction Temperature



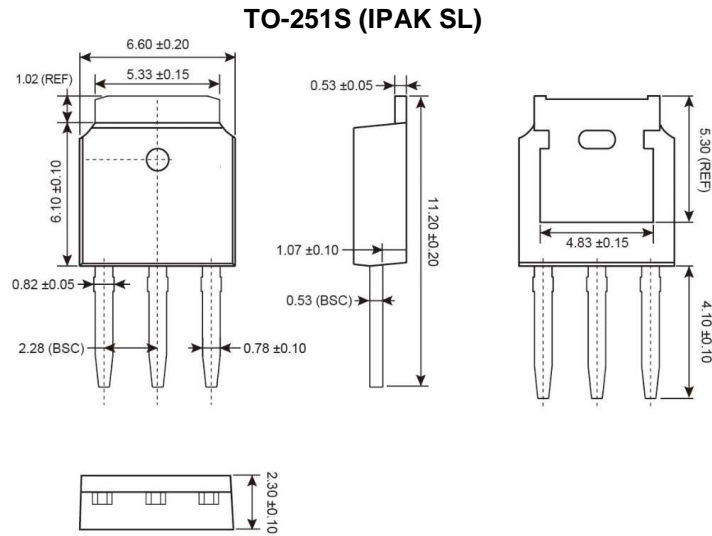
Maximum Safe Operating Area



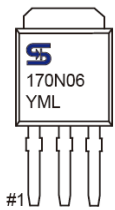
Normalized Thermal Transient Impedance Curve



PACKAGE OUTLINE DIMENSIONS (Unit: Millimeters)



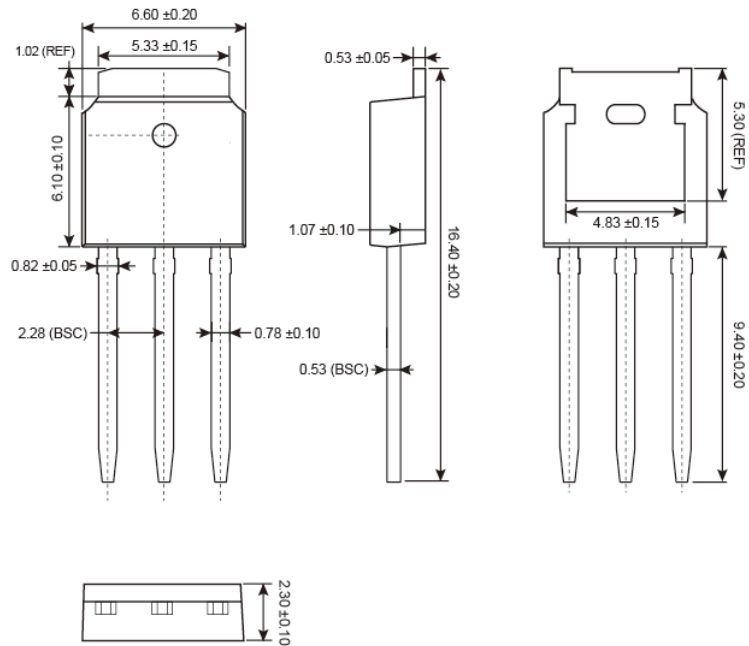
MARKING DIAGRAM



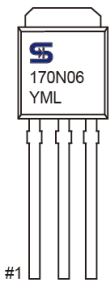
- Y** = Year Code
- M** = Month Code for Halogen Free Product
 - O** =Jan **P** =Feb **Q** =Mar **R** =Apr
 - S** =May **T** =Jun **U** =Jul **V** =Aug
 - W** =Sep **X** =Oct **Y** =Nov **Z** =Dec
- L** = Lot Code (1~9, A~Z)

PACKAGE OUTLINE DIMENSIONS (Unit: Millimeters)

TO-251 (IPAK)



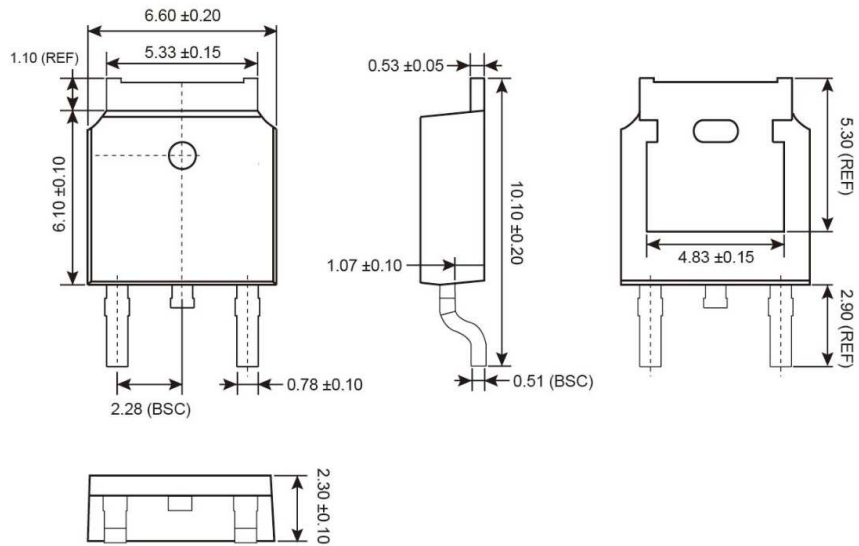
MARKING DIAGRAM



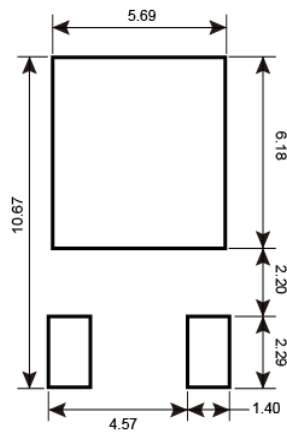
- Y** = Year Code
- M** = Month Code for Halogen Free Product
 - O** =Jan **P** =Feb **Q** =Mar **R** =Apr
 - S** =May **T** =Jun **U** =Jul **V** =Aug
 - W** =Sep **X** =Oct **Y** =Nov **Z** =Dec
- L** = Lot Code (1~9, A~Z)

PACKAGE OUTLINE DIMENSIONS (Unit: Millimeters)

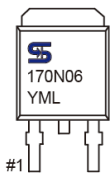
TO-252 (DPAK)



SUGGESTED PAD LAYOUT (Unit: Millimeters)



MARKING DIAGRAM



- Y** = Year Code
- M** = Month Code for Halogen Free Product
 - O** =Jan **P** =Feb **Q** =Mar **R** =Apr
 - S** =May **T** =Jun **U** =Jul **V** =Aug
 - W** =Sep **X** =Oct **Y** =Nov **Z** =Dec
- L** = Lot Code (1~9, A~Z)

Notice

Specifications of the products displayed herein are subject to change without notice. TSC or anyone on its behalf, assumes no responsibility or liability for any errors or inaccuracies.

Information contained herein is intended to provide a product description only. No license, express or implied, to any intellectual property rights is granted by this document. Except as provided in TSC's terms and conditions of sale for such products, TSC assumes no liability whatsoever, and disclaims any express or implied warranty, relating to sale and/or use of TSC products including liability or warranties relating to fitness for a particular purpose, merchantability, or infringement of any patent, copyright, or other intellectual property right.

The products shown herein are not designed for use in medical, life-saving, or life-sustaining applications. Customers using or selling these products for use in such applications do so at their own risk and agree to fully indemnify TSC for any damages resulting from such improper use or sale.

X-ON Electronics

Largest Supplier of Electrical and Electronic Components

Click to view similar products for [MOSFET](#) category:

Click to view products by [Taiwan Semiconductor](#) manufacturer:

Other Similar products are found below :

[614233C](#) [648584F](#) [IRFD120](#) [JANTX2N5237](#) [FCA20N60_F109](#) [FDZ595PZ](#) [2SK2545\(Q,T\)](#) [405094E](#) [423220D](#) [TPCC8103,L1Q\(CM](#)
[MIC4420CM-TR](#) [VN1206L](#) [SBVS138LT1G](#) [614234A](#) [715780A](#) [NTNS3166NZT5G](#) [SSM6J414TU,LF\(T](#) [751625C](#) [BUK954R8-60E](#)
[DMN3404LQ-7](#) [NTE6400](#) [SQJ402EP-T1-GE3](#) [2SK2614\(TE16L1,Q\)](#) [2N7002KW-FAI](#) [DMN1017UCP3-7](#) [EFC2J004NUZTDG](#) [ECH8691-](#)
[TL-W](#) [FCAB21350L1](#) [P85W28HP2F-7071](#) [DMN1053UCP4-7](#) [NTE221](#) [NTE2384](#) [NTE2903](#) [NTE2941](#) [NTE2945](#) [NTE2946](#) [NTE2960](#)
[NTE2967](#) [NTE2969](#) [NTE2976](#) [NTE455](#) [NTE6400A](#) [NTE2910](#) [NTE2916](#) [NTE2956](#) [NTE2911](#) [DMN2080UCB4-7](#) [TK10A80W,S4X\(S](#)
[SSM6P69NU,LF](#) [DMP22D4UFO-7B](#)