

**Wireless Module**  
***Bluetooth Smart* Module**  
**EYSFCNZXX**  
**Overview**

---

Feb. 04, 2014 Version 1.1

# Bluetooth Smart® Module: EYSFCNZXX

## Features

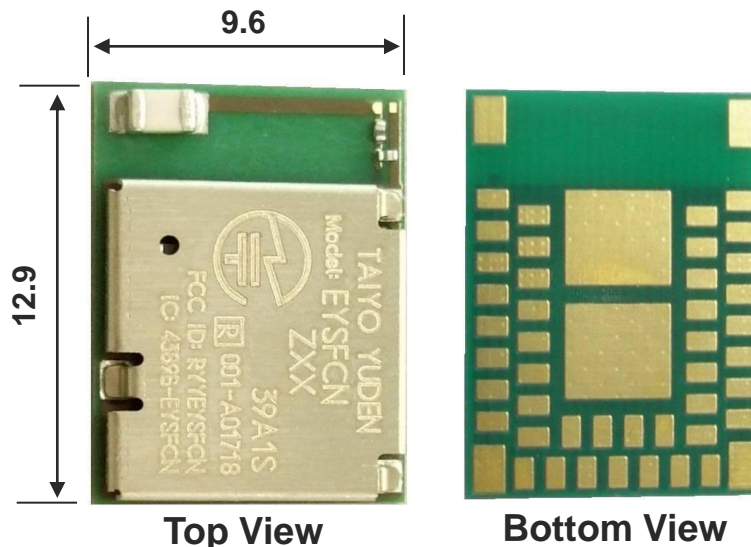
- Frequency: 2402 to 2480 MHz
- Output power: +4dBm typ.
- Single power supply: 1.8 – 3.6V
- Single Mode Bluetooth Smart Slave
- Chip: nRF51822 (Nordic)
- Integrated System/Sleep Clock
- Integrated high performance ceramic chip antenna
- **ARM Cortex M0** 32bit processor
- **256KB flash and 16KB RAM**
- Interface: SPI, UART, I2C and 8/9/10bit ADC
- Outline: **9.6 x 12.9 x 2.0** mm with **1mm** pad pitch
- Operating Temperature range: -20 to 75 deg-C
- Bluetooth and Japan, FCC, IC qualified
- RoHS compliant / Complete Lead Free

## Applications

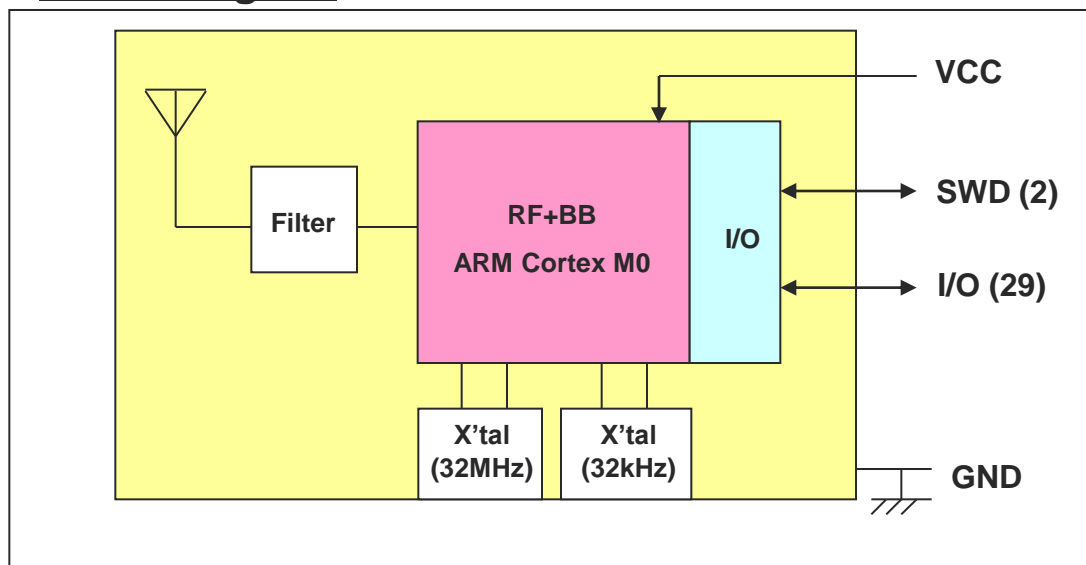
- Cycle computer
- Heart rate monitor
- Blood pressure monitor
- Blood glucose meter
- Weighing machine
- Thermometer
- Mobile accessories
- Sports and fitness sensors
- Remote controllers
- Toys

## Outline

Unit: mm



## Block Diagram

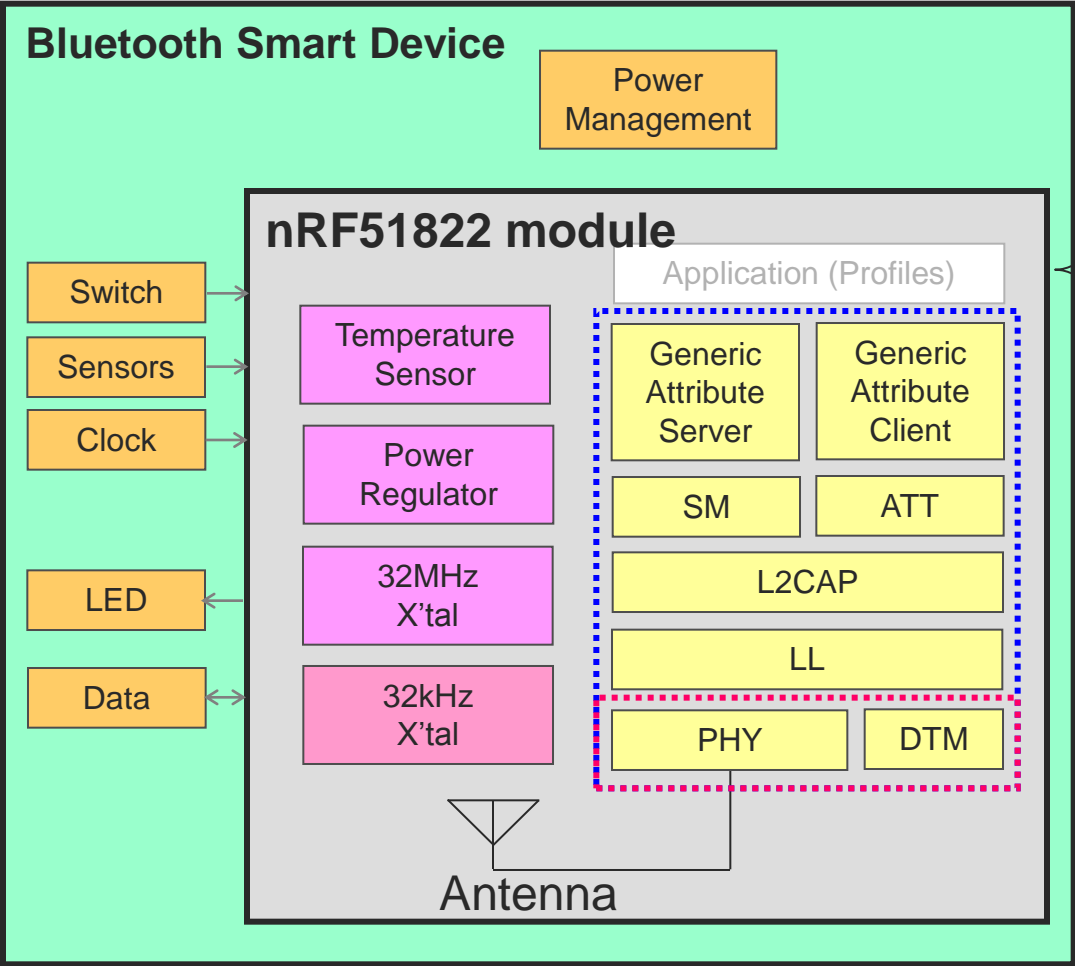


All specifications are subject to change without notice.

The *Bluetooth*® word mark and logos are owned by the *Bluetooth* SIG, Inc. and any use of such marks by TAIYO YUDEN CO., LTD. is under license.

**TAIYO YUDEN**

# Application Layer image for Basic Module



- Alert Notification **Nordic SDK**
- Blood Pressure
- Cycling Speed and Cadence
- Glucose
- HID Mouse
- Heart Rate
- Phone Alert Status
- Proximity
- Running Speed and Cadence
- Time

Basic module will be written under GATT.

### Software Device

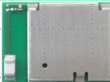


- GAP:** Generic Access Profile
- SM:** Security Manager
- ATT:** Attribute Protocol
- L2CAP:** Logical Link Control and Adaptation Protocol
- LL:** Link Layer
- PHY:** Physical Layer
- DTM:** Direct Test Mode

**EYSFCNZXX**  
**Basic Module**

# Bluetooth Smart<sup>®</sup> standard module

Name	Part No.	Software Support	TELEC	FCC, IC	BT Logo	Sample	EV-Board EV-kit	MP
Basic (Soft device) W/ Antenna	EYSFCNZXX	Nordic (Product key for Website)	Yes	Yes	Yes	Now	Now	Now

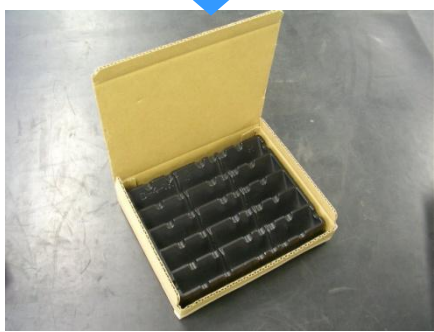
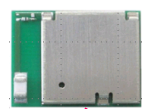
# Evaluation Board and sample image

Item	Part #	Image	Attachment
Basic Module	EYSFCNZXX		<ul style="list-style-type: none"> <li>• Doc (Data Report)</li> <li>• <a href="#">Product key for Nordic site</a></li> </ul>
Basic Module Evaluation Kit	EKSFCNZXX		<ul style="list-style-type: none"> <li>• Doc (Data Report, EVK Manual)</li> <li>• <a href="#">Product key for Nordic site</a></li> <li>• TY EVB (EVB and Coin Battery)</li> <li>• Nordic DK (2 Boards, USB Dongle, SEGGER J-Link, Cables, Software)</li> </ul>
Basic Module Evaluation Board	EBSFCNZXX		<ul style="list-style-type: none"> <li>• Doc (Data Report, EVK Manual)</li> <li>• <a href="#">Product key for Nordic site</a></li> <li>• TY EVB (EVB and Coin Battery)</li> <li>• Distributor information for Nordic DK</li> </ul>

# EYSFCNZXX, EBSFCNZXX, EKSFCNZXX

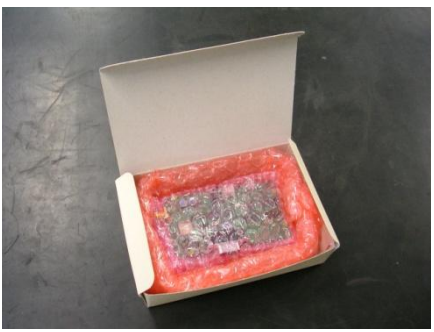
## EYSFCNZXX (Module)

### Taiyo Yuden Module



## EBSFCNZXX (EV-Board)

### Taiyo Yuden Evaluation board



## EKSFCNZXX (EV-Kit)

### Taiyo Yuden Evaluation board



### Nordic nRF51822-DK



**TAIYO YUDEN**

## X-ON Electronics

Largest Supplier of Electrical and Electronic Components

*Click to view similar products for [Bluetooth Modules - 802.15.1 category](#):*

*Click to view products by [Taiyo Yuden manufacturer](#):*

Other Similar products are found below :

[A2541R24A10GM](#) [CYBLE-212023-10](#) [BM78SPP05NC2-0002AA](#) [BM78SPP05MC2-0002AA](#) [CYW20732S](#) [968EMB0019](#) [E73-2G4M08S1CX](#) [TB-03F](#) [TB-03F-AT\\_Mesh](#) [TB-04](#) [TB-04--AT\\_Mesh](#) [BT3L\(jibu\)](#) [BT5S\(xoft\)](#) [BT5S\(4k43\)](#) [BT5S\(jcyv\)](#) [1327](#) [RN42HID-I/RM](#) [ENW-89829C3KF](#) [BLE113-A-V1](#) [BM70BLE01FC2-0B03AA](#) [ACN52832](#) [A2541E24A10GM](#) [RN42-I/RM630](#) [NINA-B112-02B](#) [MOTG-BLUETOOTH](#) [ABBTM-2.4GHz-52-T](#) [ABBTM-2.4GHz-T](#) [ABBTM-2.4GHz-T2](#) [ACN52840](#) [4076](#) [AFERO-BL24-01](#) [BLED112](#) [BM62SPKS1MC2-0001AA](#) [BM78SPPS5MC2-0002AA](#) [PX0880/1](#) [CYBLE-224110-00](#) [DAT12](#) [BM833F](#) [BT680F](#) [PBA31309V1.00](#) [S LK64](#) [ATSAMB11-MR510CA](#) [BM20SPKA1NBC-0001AA](#) [BM20SPKS1NBC-0001AA](#) [BM23SPKS1NB9-0B02AA](#) [BM64SPKS1MC2-0002AA](#) [BM70BLE01FC2-0B04AA](#) [BM70BLE01FC2-0B05BA](#) [BM77SPP03MC2-0007AA](#) [BM77SPP03MC2-0008AA](#) [BM78SPP05NC2-0001AA](#)