

Wire-wound Ferrite Power Inductors LBXH series

for Telecommunications Infrastructure and Industrial Equipment

Code in front of Series have been extracted from Part number, which describes the segment of products, such as kinds and characteristics.

REFLOW

PART NUMBER

*Operating Temp. : -40~125°C(Including self-generated heat)

L	B	X	H	F	6	0	6	0	Y	E	L	1	0	0	M	M	R
①	②	③	④	⑤	⑥	⑦	⑧										

①Series

Code (1)(2)(3)(4)	
LBXH	Wire-wound Ferrite Power Inductor for Telecommunications Infrastructure and Industrial Equipment

(1) Product Group

Code	
L	Inductors

(2) Category

Code	Recommended equipment	Quality Grade
B	Telecommunications Infrastructure and Industrial Equipment	2

②Features

Code	Feature
F	Bottom electrode (Ag x solder) for fillet

③Dimensions (L x W)

Code	Dimensions(L x W) [mm]
3030	3.0 x 3.0
4040	4.0 x 4.0
5050	5.0 x 5.0
6060	6.0 x 6.0

④Dimensions (H)

Code	Dimensions(H) [mm]
QK	1.5
WK	2.0
WB	2.2
XK	3.0
XA	3.1
YE	4.5

(3) Type

Code	
X	Ferrite Wire-wound (Drum type)

(4) Features, Characteristics

Code	
H	Hybrid power choke

⑤Packaging

Code	Packaging
T	Taping
L	Taping

⑥Nominal inductance

Code (example)	Nominal inductance[μH]
2R2	2.2
100	10
101	100

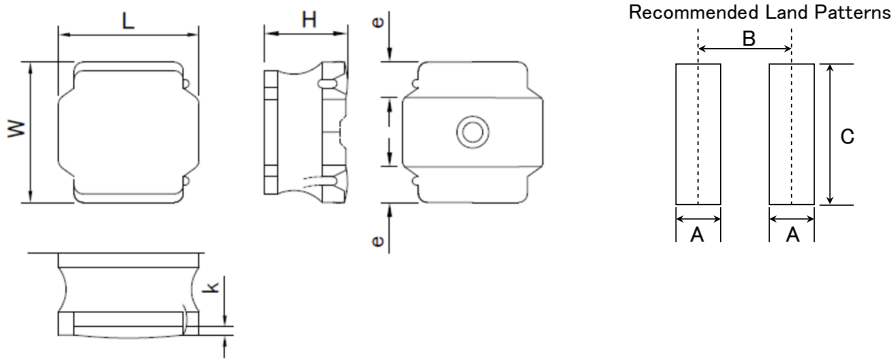
※R=Decimal point

⑦Inductance tolerance

Code	Inductance tolerance
M	±20%
N	±30%

⑧Internal code

■ STANDARD EXTERNAL DIMENSIONS / STANDARD QUANTITY

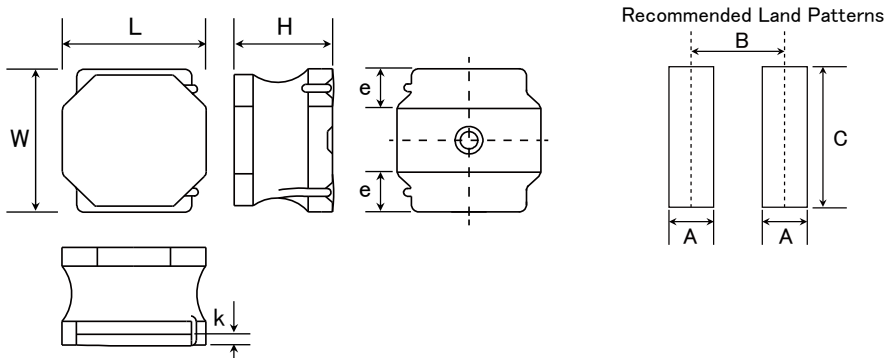


Type	A	B	C
3030	1.3	2.3	2.7
4040	1.5	3.3	3.5
5050	1.9	4.2	3.8
6060	2.4	5.0	4.8

Unit: mm

Type	L	W	H	e	k(ref)	Standard quantity [pcs] Taping
3030QK	3.0±0.2 (0.118±0.008)	3.0±0.2 (0.118±0.008)	1.5 max (0.059 max)	0.8±0.3 (0.031±0.012)	0.1 min (0.004 min)	2000
4040WK	4.0±0.2 (0.158±0.008)	4.0±0.2 (0.158±0.008)	2.0 max (0.079 max)	1.0±0.3 (0.039±0.012)	0.1 min (0.004 min)	700
5050WB	5.0±0.2 (0.197±0.008)	5.0±0.2 (0.197±0.008)	2.2 max (0.088 max)	1.3±0.3 (0.051±0.012)	0.2 min (0.008 min)	800
5050XA	5.0±0.2 (0.197±0.008)	5.0±0.2 (0.197±0.008)	3.1 max (0.122 max)	1.3±0.3 (0.051±0.012)	0.2 min (0.008 min)	500
6060XK	6.0±0.2 (0.236±0.008)	6.0±0.2 (0.236±0.008)	3.0 max (0.118 max)	1.65±0.3 (0.053±0.012)	0.3 min (0.012 min)	2000

Unit: mm(inch)



Type	A	B	C
6060	2.4	5.0	4.8

Unit: mm

Type	L	W	H	e	k(ref)	Standard quantity [pcs] Taping
6060YE	6.0±0.2 (0.236±0.008)	6.0±0.2 (0.236±0.008)	4.5 max (0.177 max)	1.65±0.3 (0.053±0.012)	0.3 min (0.012 min)	1500

Unit: mm(inch)

► This catalog contains the typical specification only due to the limitation of space. When you consider the purchase of our products, please check our specification. For details of each product (characteristics graph, reliability information, precautions for use, and so on), see our Web site (<http://www.ty-top.com/>).

X-ON Electronics

Largest Supplier of Electrical and Electronic Components

Click to view similar products for [Power Inductors - SMD category](#):

Click to view products by [Taiyo Yuden manufacturer](#):

Other Similar products are found below :

[SPD62R-472M](#) [LLQPB201214T1R0M](#) [LLXND3030QKT470MNG](#) [LLQPB160807T4R7M](#) [LLAPB2016KKTR33M](#)
[LBXND4040TKL330MDG](#) [LSQEA201212T100M](#) [PA4300.474NLT](#) [LVS505020-1R0T-N](#) [LVS505040-1R2T-N](#) [LVS606020-1R5M-N](#)
[LVS606028-6R8M-N](#) [LVS606045-102M-N](#) [LVS606045-150M-N](#) [LVS606045-1R8M-N](#) [LVS606045-6R8M-N](#) [LVS808040-2R0M-N](#)
[LVS808040-330M-N](#) [LVS808040-4R7M-N](#) [MHCI06030-R56M-R8](#) [SCD0403T-470M-N](#) [SCD0403T-6R8K-N](#) [SCD0504T-101M-N](#)
[SCD0504T-120M-N](#) [SCD0504T-221M-N](#) [SCD0504T-470M-N](#) [SCD0504T-471M-N](#) [SCD0705T-180M-N](#) [SCD0705T-221M-N](#) [SCD0705T-470M-N](#) [SCD1005T-101M-N](#) [SCD1005T-221M-N](#) [SCD1005T-470M-N](#) [SSL1306T-101M-N](#) [LQB15NNR27K10D](#) [201610CDMCDDS-R47MC](#) [201610CDMCDDS-1R0MC](#) [201610CDMCDDS-R68MC](#) [LSQPB201210T220M](#) [LBCNF2012KKTR24MA](#) [LSQEA201212T220K](#)
[LSENC2016KKT1R0M](#) [LSQNB160808T470M](#) [LSBHB1608KKT2R2MG](#) [LSQPB160807T2R2M](#) [LSQEA201212T101K](#) [DEM8045Z-5R6N=P3](#) [LCXND3030QKT4R7MNG](#) [LSQPA322525T6R8MR](#) [LCXNH8080YKL101MJG](#)