



Electronic Components High Quality **CAPACITORS**

CONDUCTIVE POLYMER HYBRID ALUMINUM ELECTROLYTIC CAPACITORS
ALUMINUM ELECTROLYTIC CAPACITORS WITH CONDUCTIVE POLYMER SOLID ELECTROLYTE
ALUMINUM ELECTROLYTIC CAPACITORS
ELECTRIC DOUBLE LAYER CAPACITORS "DYNACAP"

ELNA CO., LTD.

CAT.No.2021/2022E

Please read this notice before using the ELNA products.

REMINDERS

Product Information in this Catalog

Product information in this catalog is as of December 2020. All of the contents specified herein and production status of the products listed in this catalog are subject to change without notice due to technical improvement of our products, etc. Therefore, please check for the latest information carefully before practical application or use of our products.

Please note that ELNA shall not be in any way responsible for any damages and defects in products or equipment incorporating our products, which are caused under the conditions other than those specified in this catalog or individual product specification sheets.

Approval of Product Specifications

Please contact ELNA for further details of product specifications as the individual product specification sheets are available. When using our products, please be sure to approve our product specifications or make a written agreement on the product specification with ELNA in advance.

Pre-Evaluation in the Actual Equipment and Conditions

Please conduct validation and verification of our products in actual conditions of mounting and operating environment before using our products.

Limited Application

1. Equipment Intended for Use

The products listed in this catalog are intended for general-purpose and standard use in general electronic equipment (e.g., AV equipment, OA equipment, home electric appliances, office equipment, information and communication equipment including, without limitation, mobile phone, and PC) and other equipment specified in this catalog or the individual product specification sheets.

ELNA has the line-up of the products intended for use in automotive electronic equipment, telecommunications infrastructure and industrial equipment, or medical devices classified as GHTF Classes A to C (Japan Classes I to III). Therefore, when using our products for these equipment, please check available applications specified in this catalog or the individual product specification sheets and use the corresponding products.

2. Equipment Requiring Inquiry

Please be sure to contact ELNA for further information before using the products listed in this catalog for the following equipment (excluding intended equipment as specified in this catalog or the individual product specification sheets) which may cause loss of human life, bodily injury, serious property damage and/or serious public impact due to a failure or defect of the products and/or malfunction attributed thereto.

- (1) Transportation equipment (automotive powertrain control system, train control system, and ship control system, etc.)
- (2) Traffic signal equipment
- (3) Disaster prevention equipment, crime prevention equipment
- (4) Medical devices classified as GHTF Class C (Japan Class III)
- (5) Highly public information network equipment, data-processing equipment (telephone exchange, and base station, etc.)
- (6) Any other equipment requiring high levels of quality and/or reliability equal to the equipment listed above

3. Equipment Prohibited for Use

Please do not incorporate our products into the following equipment requiring extremely high levels of safety and/or reliability.

- (1) Aerospace equipment (artificial satellite, rocket, etc.)
- (2) Aviation equipment *¹
- (3) Medical devices classified as GHTF Class D (Japan Class IV), implantable medical devices *²

- (4) Power generation control equipment (nuclear power, hydroelectric power, thermal power plant control system, etc.)
- (5) Undersea equipment (submarine repeating equipment, underwater work equipment, etc.)
- (6) Military equipment
- (7) Any other equipment requiring extremely high levels of safety and/or reliability equal to the equipment listed above

*Notes:

1. There is a possibility that our products can be used only for aviation equipment that does not directly affect the safe operation of aircraft (e.g., in-flight entertainment, cabin light, electric seat, cooking equipment) if such use meets requirements specified separately by ELNA. Please be sure to contact ELNA for further information before using our products for such aviation equipment.
2. Implantable medical devices contain not only internal unit which is implanted in a body, but also external unit which is connected to the internal unit.

4. Limitation of Liability

Please note that unless you obtain prior written consent of ELNA, ELNA shall not be in any way responsible for any damages incurred by you or third parties arising from use of the products listed in this catalog for any equipment that is not intended for use by ELNA, or any equipment requiring inquiry to ELNA or prohibited for use by ELNA as described above.

Safety Design

When using our products for high safety and/or reliability-required equipment or circuits, please fully perform safety and/or reliability evaluation. In addition, please install (i) systems equipped with a protection circuit and a protection device and/or (ii) systems equipped with a redundant circuit or other system to prevent an unsafe status in the event of a single fault for a failsafe design to ensure safety.

Intellectual Property Rights

Information contained in this catalog is intended to convey examples of typical performances and/or applications of our products and is not intended to make any warranty with respect to the intellectual property rights or any other related rights of ELNA or any third parties nor grant any license under such rights.

Limited Warranty

Please note that the scope of warranty for our products is limited to the delivered our products themselves and ELNA shall not be in any way responsible for any damages resulting from a failure or defect in our products. Notwithstanding the foregoing, if there is a written agreement (e.g., supply and purchase agreement, quality assurance agreement) signed by ELNA and your company, ELNA will warrant our products in accordance with such agreement.

ELNA's Official Sales Channel

The contents of this catalog are applicable to our products which are purchased from our sales offices or authorized distributors (hereinafter "ELNA's official sales channel"). Please note that the contents of this catalog are not applicable to our products purchased from any seller other than ELNA's official sales channel.

Caution for Export

Some of our products listed in this catalog may require specific procedures for export according to "U.S. Export Administration Regulations", "Foreign Exchange and Foreign Trade Control Law" of Japan, and other applicable regulations. Should you have any questions on this matter, please contact our sales staff.

■ **“GREEN CAP”**

“GREEN CAP”, ELNA considers the global environment and it is a product that doesn't use the hazardous substance and “Lead Free” in the plating of terminals and outer Sleeves.
 The product in this catalog is 'GREEN CAP'.

The hazardous substance is
 Cadmium and its compounds, Lead and its compounds
 Hexavalent chromium compounds, Mercury and its compounds
 PBB, PBDE : Specified bromine-based flame retardants
 DEHP : Di(2-ethylhexyl)phthalate, BBP : Bis(butylbenzyl) phthalate
 DBP : Dibutyl phthalate, DIBP : Diisobutyl phthalate

■ **Regarding to various environmental Regulations**

It suits with the following EU regulations.

- End-of-Life Vehicle Directive
- Restriction of the Use of Certain Hazardous Substances In Electrical and Electronic Equipment.
- Waste Electrical and Electronic Equipment.

etc.

For details, please check our website. (<http://www.ena.co.jp/en/company/environment/law.html>)

If you need “Halogen-Free” products, please consult with us.

Terminal area plating material and sleeve material

● **Aluminum (Polymer hybrid,Conductive Polymer Solid Electrolyte) electrolytic capacitors**

Category		Terminal area plating	Plating thickness	Sleeve
SMD (Chip type)	φ 3 to 6.3	Sn-Bi	12μm	Sleeve less
	φ 8,10	Sn-Bi	12μm	Sleeve less (or PET)
	φ 12.5	Sn 100%	12μm	Sleeve less (or PET)
	φ 16 to 18	Sn 100%	12μm	Sleeve less
	Supplementary terminal of RT* type	Sn 100%	12μm	Sleeve less (or PET)
Lead terminal		Sn 100%	12μm	Sleeve less (or PET)
Snap-in		Sn 100%	12μm	PET
Screw terminal		—		PET

● **Electric double layer capacitors**

Category		Terminal area plating	Plating thickness	Sleeve	
Coin cell	SMD	Single cell	Sn 100% or Sn+Cu	5μm	Sleeve less
		Piled cell	Sn 100%	5μm	PET
	Lead type	Sn 100%	5μm	PET	
Large capacitance	Lead terminal	Sn 100%	12μm	PET	
	Snap-in terminal	Sn 100%	12μm	PET	

Note : Sn : Tin Bi : Bismuth Cu : Copper

Please inquire when hoping excluding the above-mentioned terminal plating and sleeve.

NOTE : Design, Specifications are subject to change without notice.
 It is recommended that you shall obtain technical specifications from ELNA to ensure that the component is suitable for your use.

■ **About the Sn whisker**

1. Sn whisker-generating mechanism on the lead wire

On the surface of the lead wire, Sn and aluminum will get mixed instead of getting dissolved.

The surface condition is complex, aluminum will expand due to the heat and humid causing the oxidation and hydration. This reaction will cause the inner stress and influence the development of the whisker.

2. Generation control of the Sn whisker

In the past, Sn whisker was reduced by adding a lead(Pb). Aluminum electrolytic capacitor was also using the Sn-plate with Pb on the lead wire.

But due to environmental regulation such as the “ELV” and “RoHS”, Pb was strictly prohibited since 2000.

Lead wire not containing the Pb was used, which caused the Sn whisker problem to happen again.

Since Sn whisker is influenced by the mixture of aluminum, method of reducing the aluminum on the welding surface was to clean the lead terminal using the alkali.

However since the welding area of the large case size is larger compared to the small ones, whisker will generate even if it is cleaned by alkali. This whisker will scatter outside of the capacitor and potentially cause the short-circuit. Countermeasure of keeping the whisker inside the capacitor is being discussed.

3. Prevention of scattering of Sn whisker

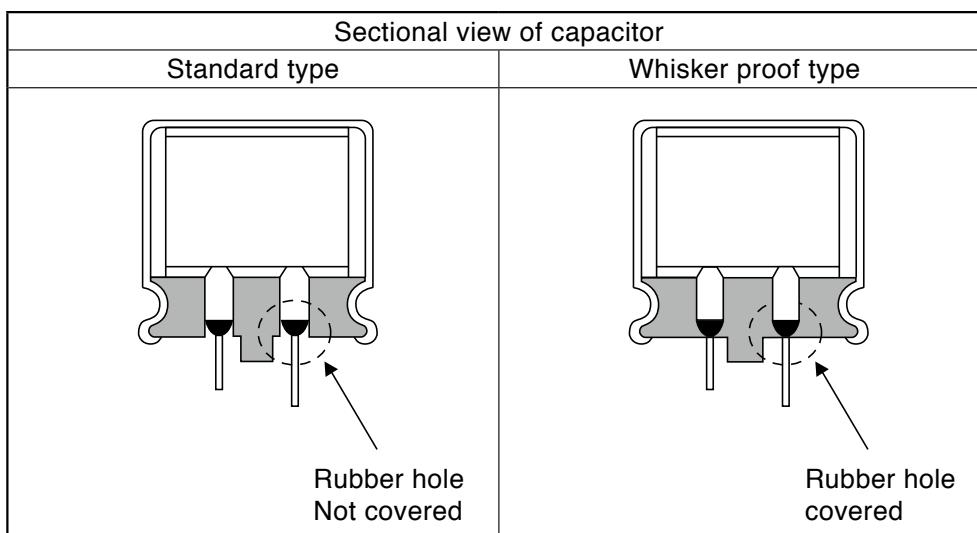
In the past Sn-plate with Pb was used and recently plate with Bi is being introduced to prevent the whisker from generating. However the whisker will still generate under the temperature and moisture condition.

Therefore, the current method of preventing the whisker will not completely prevent the whisker from generating.

In our company, we are developing and supplying products with design of preventing the whisker from scattering outside the capacitor.

This design corresponds to series such as the RJD and RJE for 105°C use, RJK, RKD and RPK for 125°C use.

If it is required for the other series, please feel free to make an inquiry.



NOTE : Design, Specifications are subject to change without notice.
It is recommended that you shall obtain technical specifications from ELNA to ensure that the component is suitable for your use.

Ordering Information

Please order by the multiples of the minimum order quantity (MOQ).

Aluminum Electrolytic Capacitors

Classification	Case Size φD×L (mm)	Quantity (PCS.)							
		Long lead		Forming lead		Taping (flat box)	Taping (reel)		
		(Q'ty/Bag)	MOQ/Box	(Q'ty/Bag)	MOQ/Box	MOQ/Box	MOQ/Reel	(Q'ty/Box)	
Aluminum Electrolytic Capacitors With Conductive Polymer Solid Electrolyte Conductive Polymer Hybrid Aluminum Electrolytic Capacitors	Chip Type	φ5 to φ6.3	—	—	—	—	—	1,000	5,000
		φ8,φ10×8.7 to 10	—	—	—	—	—	500	2,000
		φ10×12.5	—	—	—	—	—	400	1,600
		φ12.5×13.5	—	—	—	—	—	200	1,000
		φ8	200	2,000	200	2,000	1,000	—	—
Chip Type	04 Type	φ10	200	1,000	200	1,000	500	—	—
		φ4	—	—	—	—	—	2,000	10,000
		φ5 to φ6.3×4.5 to 7.7,φ8×6.5	—	—	—	—	—	1,000	5,000
		φ8 to φ10×10 to 10.5	—	—	—	—	—	500	2,000
		φ12.5×13.5	—	—	—	—	—	200	1,000
04 Type	04 Type	φ16×16.5,φ18×16.5	—	—	—	—	—	125	250
		φ16×21.5,φ18×21.5	—	—	—	—	—	75	150
		φ4 to φ5×5,φ4×7	200	2,000	200	5,000	2,000	—	—
		φ5×7	200	2,000	200	4,000	2,000	—	—
		φ6.3×5,φ6.3×7	200	2,000	200	2,000	2,000	—	—
		φ8×5 to 7	200	2,000	200	2,000	1,000	—	—
		φ5 to φ6.3×11,11.5	200	2,000	200	2,000	2,000	—	—
		φ8×11.5,12	200	2,000	200	2,000	1,000	—	—
		φ8×15	200	1,000	200	1,000	1,000	—	—
		φ8×20	200	1,000	200	1,000	1,000	—	—
		φ10×12.5	200	1,000	200	1,000	500	—	—
		φ10×16	200	1,000	200	1,000	500	—	—
		φ10×20	200	1,000	200	1,000	500	—	—
		φ10×25 to 30	200	1,000	100 (200)	500 (1000)	500	—	—
		φ12.5×15 to 20	100	1,000	100	1000 (500)	500	—	—
		φ12.5×25	100	500 (1000)	100	1000 (500)	500	—	—
		φ12.5×30	100	500	200 (100)	2000 (500)	500	—	—
		φ12.5×35	100	500	200 (100)	2000 (500)	500	—	—
		φ12.5×40	100	500 (100)	200 (100)	2000 (500)	—	—	—
		φ16×16 to 25	100	500	100	1000 (100)	—	—	—
		φ16×31.5 to 35.5	50	200 (400)	100	1000 (100)	—	—	—
		φ16×40	50 (100)	100	100	800 (100)	—	—	—
		φ18×16	50	100	100	1000 (100)	—	—	—
		φ18×20	50 (100)	100 (500)	100	1000 (100)	—	—	—
		φ18×25	50 (100)	100 (400)	100	1000 (100)	—	—	—
		φ18×31.5 to 35.5	50	100	100	1000 (100)	—	—	—
		φ18×40 to 50	50	250 (100)	100	800 (100)	—	—	—
φ20×25 to 50	50	100	100	600 (100)	—	—	—		
φ22×40 to 50	50	100 (200)	100	400 (100)	—	—	—		
LA*, LT*	φ22 to φ25	—	100	—	—	—	—	—	
		—	50	—	—	—	—	—	
		—	—	—	—	—	—	—	
331Type or Others	φ36 to φ101	—	*	—	—	—	—		

(Note) It may become the numerical value in ().

* Please inquire.

Electric Double Layer Capacitors

Series	Case size φD×L(mm)	Quantity (PCS.)						
		Long lead		Standard lead		Taping (f lat box)	Taping (reel)	
		(Q'ty/Bag)	MOQ/Box	(Q'ty/Bag)	MOQ/Box	MOQ/Box	MOQ/Reel	(Q'ty/Box)
DX,DXJ,DXN,DXS(H or V Terminal)	φ11.5	—	—	200	2,000	—	—	—
DX,DXJ,DXN(V Terminal)	φ19	—	—	100	500	—	—	—
DH,DHL,DHC,DBJ DB,DBN,DBS	φ13.5	—	—	200	1,000	—	—	—
	φ21.5	—	—	100	500	—	—	—
DS,DSK	φ6.8	—	—	—	—	—	1,500 to 2,000*	6,000 to 8,000*
DVN,DVS	φ12.5×8.5	—	—	—	—	—	300	1,500
DVL	φ12.5×10.5	—	—	—	—	—	250	1,250
Series	Case size φD×L(mm)	Quantity (PCS.)						
		Long lead		Forming lead		Taping (f lat box)	Taping (reel)	
		(Q'ty/Bag)	MOQ/Box	(Q'ty/Bag)	MOQ/Box	MOQ/Box	MOQ/Reel	(Q'ty/Box)
DDU DUK DZ DZN DZH	φ6.3	200	2,000	200	2,000	2,000	—	—
	φ8×12	200	2,000	200	2,000	1,000	—	—
	φ8×15 to 22	200	1,000	200	1,000	1,000	—	—
	φ10×20 to 25	200	1,000	100	500	500	—	—
	φ10×30 to 35	200	1,000	100	500	500	—	—
	φ12.5×25	100	500	100	1,000	500	—	—
	φ12.5×35	100	500	200	2,000	—	—	—
	φ16×20 to 25	100	500	100	1,000	—	—	—
	φ16×31.5 to 35.5	50	200	100	1,000	—	—	—
	φ16×40	50	100	100	800	—	—	—
	φ18×35	50	100	100	1,000	—	—	—
	φ18×40	50	250	100	800	—	—	—
	φ25	—	50 or 100*	—	—	—	—	—
	φ35	—	50 or 100*	—	—	—	—	—
DZP	8.5×17×16	—	*	—	—	—	—	—
	8.5×17×24							
	10.5×21×29							
	10.5×21×39							

* Please inquire.

NOTE : Design, Specifications are subject to change without notice.
It is recommended that you shall obtain technical specifications from ELNA to ensure that the component is suitable for your use.

■ Type List for Aluminum Electrolytic Capacitors

★ : New series
☆ : Upgrade

● Aluminum (Conductive Polymer, Hybrid) Electrolytic Capacitors

Category	Series	Application	Category Temp. Range (°C)		Life time Range (hours)		Rated Voltage Range (V.DC)		Rated Capacitance Range (μF)		Size range φD x L (mm)		Outside color	JIS Configurati	Note
			Min.	Max.	Min.	Max.	Min.	Max.	Min.	Max.	Min.	Max.			
Hybrid	HV	Low ESR Hybrid Polymer Chip	-55	+105	10000		6.3	100	10	820	5×5.8	12.5×13.5	Silver	32	
	HT	Low ESR Hybrid Polymer Chip, Vibration resistance	-55	+105	10000		6.3	100	10	820	6.3×5.8	12.5×13.5	Silver	32	☆
	HVK	Low ESR, 125°C, Hybrid Polymer Chip	-55	+125	4000	6000	6.3	100	10	820	5×5.8	12.5×13.5	Silver	32	
	HTK	Low ESR, 125°C, Hybrid Polymer Chip, Vibration resistance	-55	+125	4000	6000	6.3	100	10	820	6.3×5.8	12.5×13.5	Silver	32	☆
	HVX	Low ESR, 135°C, Hybrid Polymer Chip	-55	+135	2000	4000	16	63	10	560	6.3×5.8	10×12.5	Silver	32	☆
	HTX	Low ESR, 135°C, Hybrid Polymer Chip, Vibration resistance	-55	+135	2000	4000	16	63	10	560	6.3×5.8	10×12.5	Silver	32	☆
	HVQ	Low ESR, 150°C, Hybrid Polymer Chip	-55	+150	1000		16	63	33	470	8×10	10×10	Silver	32	★
	HTQ	Low ESR, 150°C, Hybrid Polymer Chip, Vibration resistance	-55	+150	1000		16	63	33	470	8×10	10×10	Silver	32	★
	HR	Low ESR Hybrid Polymer, lead terminal type	-55	+105	10000		25	100	15	560	10×10	10×12.5	Silver	04	
	HRK	Low ESR, 125°C, Hybrid Polymer, lead terminal type	-55	+125	4000	6000	25	100	15	560	10×10	10×12.5	Silver	04	
Polymer	PVX	Ultra Low ESR Conductive Polymer Chip	-55	+105	2000		2.5	10	100	1200	5×5.7	6.3×5.7	Silver	32	
	PVM	Super Low ESR Conductive Polymer Chip	-55	+105	2000		2.5	16	33	1200	5×5.7	6.3×5.7	Silver	32	
	PVK	Super Low ESR, High Temp. Conductive Polymer Chip	-55	+125	1000		2.5	16	33	1000	6.3×5.7		Silver	32	

● Chip Type Aluminum Electrolytic Capacitors

Category	Series	Application	Category Temp. Range (°C)		Life time Range (hours)		Rated Voltage Range (V.DC)		Rated Capacitance Range (μF)		Size range φD x L (mm)		Outside color	JIS Configurati	Note
			Min.	Max.	Min.	Max.	Min.	Max.	Min.	Max.	Min.	Max.			
Standard	RV4	4.5mm L	-40	+85	2000		6.3	50	10	100	6.3×4.5		Silver	32	
	RV5	High CV	-40	+85	2000		4	100	1	2200	4×5.3	12.5×13.5	Silver	32	
	RVB	Non Polarized	-40	+85	2000		6.3	50	1	47	4×5.3	6.3×5.3	Silver	32	
High Reliability	RVE	105°C , 4.5mmL	-40	+105	1000		6.3	50	10	100	6.3×4.5		Silver	32	
	RVS	105°C , 5.5mm L	-55	+105	1000		6.3	50	1	1500	4×5.3	10×10.5	Silver	32	
	RVL	105°C , 5.5mm L	-55	+105	2000		6.3	50	1	100	4×5.7	6.3×5.7	Silver	32	
	RVJ	105°C, Higher Capacitance	-55	+105	2000	5000	6.3	100	10	1000	8×6.5	12.5×13.5	Silver	32	
	RVR	105°C, Long Life, High CV	-40	+105	2000		4	50	1	1500	4×5.3	10×10.5	Silver	32	
	RVI	105°C , Non Polarized, 2000h	-40	+105	2000		6.3	50	1	47	4×5.8	6.3×5.8	Silver	32	
	RVC	105°C, 3000h/5000h	-40	+105	3000	5000	6.3	50	1	1000	4×5.8	10×10	Silver	32	
	RZH	105°C, 5000h/7000h	-55	+105	5000	7000	6.3	35	22	1000	6.3×5.8	10×10	Silver	32	
Low Impedance, Low ESR, High Reliability	RVZ	105°C , Low ESR	-55	+105	1000	5000	6.3	35	4.7	2700	4×5.3	12.5×13.5	Silver	32	
	RVD	105°C , Low ESR, Long life	-55	+105	2000	5000	6.3	100	4.7	2200	4×5.8	12.5×13.5	Silver	32	
	RVV	105°C , Low ESR, High CV	-55	+105	2000		6.3	50	33	1500	6.3×5.8	10×10	Silver	32	
	RZD	105°C , Low ESR, High CV	-55	+105	2000		6.3	50	22	2200	6.3×5.8	10×10	Silver	32	
	RZK	105°C , Low ESR, High CV	-55	+105	2000		25	35	470	1000	8×10	10×10	Silver	32	★
	RVT	125°C , Low ESR	-40	+125	1000	5000	10	100	4.7	1000	4×5.8	12.5×13.5	Silver	32	
	RZJ	125°C , Low ESR, Long Life	-40	+125	2000	3000	10	50	47	470	6.3×7.7	10×10	Silver	32	☆
	RZF	125°C , Low ESR, Long Life, High CV	-40	+125	2000	4000	10	50	22	680	6.3×5.8	10×10	Silver	32	
	RZE	125°C , Low ESR, High CV	-40	+125	2000		35	35	47	100	6.3×7.7		Silver	32	
	RVX	135°C, Higher Reliability	-40	+135	1000		25	35	22	330	8×10	10×10	Silver	32	
For Vibration Resistance	RTZ	105°C, Low ESR, High CV, 30G Vibration resistance	-55	+105	1000	5000	6.3	35	33	8200	6.3×5.8	18×21.5	Silver	32	
	RTD	105°C, Low ESR, High CV, 30G Vibration resistance	-55	+105	2000	4000	6.3	100	10	8200	6.3×5.8	18×21.5	Silver	32	
	RTT	125°C, Low ESR, High CV, 30G Vibration resistance	-40	+125	1000	5000	10	100	10	4700	6.3×5.8	18×21.5	Silver	32	
	RTQ	150°C, Low ESR, High CV, 30G Vibration resistance	-40	+150	1000		10	35	33	470	8×10	10×10	Silver	32	

* Be sure to "Cautions for using Aluminum Electrolytic capacitors", before using these products.

NOTE : Design, Specifications are subject to change without notice.
It is recommended that you shall obtain technical specifications from ELNA to ensure that the component is suitable for your use.

■ Type List for Aluminum Electrolytic Capacitors

★ : New series
☆ : Upgrade

● Miniature Aluminum Electrolytic Capacitors

Category	Series	Application	Category Temp. Range (°C)		Life time Range (hours)		Rated Voltage Range (V.DC)		Rated Capacitance Range (μF)		Size range φD x L (mm)		Outside color	JIS Configurati	Note
			Min.	Max.	Min.	Max.	Min.	Max.	Min.	Max.	Min.	Max.			
Low profile	RC3	5mmL, Standard	-40	+85	1000		4	50	1	470	4×5	8×5	Blue	04	
	R3S	5mmL, 105°C	-55	+105	1000		6.3	50	1	100	4×5	6.3×5	Black	04	
	RB3	5mmL, Bipolar	-40	+85	1000		6.3	50	0.33	47	4×5	6.3×5	Blue	04	
	RC2	7mmL, Standard	-40	+85	1000		4	100	1	330	4×7	8×7	Blue	04	
	R2S	7mmL, 105°C	-55	+105	1000		6.3	50	1	100	4×7	6.3×7	Black	04	
	RB2	7mmL, Bipolar	-40	+85	1000		6.3	50	0.33	47	4×7	6.3×7	Blue	04	
Standard	RE3	Miniaturized Standard	-40	+85	2000		6.3	450	0.47	22000	5×11	18×40	Blue	04	
	R2B	Bipolarity Standard	-40	+85	2000		6.3	100	1	4700	5×11	18×35.5	Blue	04	
	RJP	105°C, Bipolar	-40	+105	1000	2000	6.3	50	1	6800	5×11	18×35.5	Black	04	
	RJ5	105°C, Miniaturized, High CV	-55	+105	1000		6.3	100	1	22000	5×11	18×40	Black	04	
			-40		1000 2000		160	450	1	470	6.3×11	18×40			
	RJ4	105°C, Miniaturized	-55	+105	1000 2000		6.3	100	1	22000	5×11	18×40	Black	04	
-40			160 450		1	330	6.3×11	18×35.5							
RJ3	105°C, Low Impedance	-55	+105	1000 2000		6.3	100	1	15000	5×11	18×35.5	Black	04		
		-40		160 400		1	220	6.3×11	18×40						
Special	RLB	Low-leakage Current	-40	+85	1000		6.3	50	1	2200	5×11	18×35.5	Blue	04	
Low Impedance, Low ESR, High Reliability	RJB	105°C, Low Impedance, Miniaturized	-55	+105	2000	5000	6.3	100	3.3	10000	5×11.5	16×31.5	Black	04	
	RJH	105°C, Extra Low Impedance	-55	+105	2000	5000	6.3	100	1	15000	5×11.5	18×40	Black	04	
	RJF	105°C, Extra Low Impedance, Miniaturized	-40	+105	1000	10000	6.3	100	5.6	6800	4×7	18×40	Black	04	
	RJM	105°C, Long life, Low Impedance	-40	+105	6000	10000	6.3	50	27	8200	5×11.5	16×25	Black	04	
	RJD	105°C, Low ESR, High Ripple, Miniaturized	-55	+105	2000	8000	6.3	100	10	18000	5×11.5	20×40	Black	04	
	RKD	125°C, Low ESR, Miniaturized	-40	+125	2000	5000	10	100	100	8200	8×12	20×40	Black	04	
	RKB	135°C, Low ESR, Miniaturized	-40	+135	2000	3000	10	100	220	6800	10×12.5	18×40	Silver	04	
	RKC	135°C, Low ESR, Miniaturized	-40	+135	2000	3000	25	100	160	12000	12.5×20	18×40	Silver	04	
	RQA	150°C, Miniaturized	-40	+150	1000		10	63	220	4700	10×14.5	18×42.5	Silver	04	
	RQB	150°C, Miniaturized	-40	+150	2000		35	80	320	4700	16×26.5	18×42.5	Silver	04	★
For Air bag	RJE	105°C, Low ESR, High Ripple, For Airbag	-55	+105	5000		25	35	830	11000	12.5×15	18×40	Black	04	
	RJK	105°C, High CV, Low ESR, High Ripple, For Airbag	-55	+105	5000		25	35	2500	17000	16×20	20×40	Black	04	
For Vibration Resistance	RPK	125°C, Low ESR, 30G Vibration resistance	-40	+125	5000		10	100	220	8200	12.5×15	20×40	Black	04	
	RKE	125°C, Low ESR, 40G Vibration resistance	-40	+125	5000		25	50	1200	8200	16×31.5	22×40	Silver	04	
	RKF	135°C, Low ESR, 40G Vibration resistance	-40	+135	2000	3000	25	100	180	10000	12.5×25	22×40	Silver	04	
	RKG	150°C, Low ESR, 40G Vibration resistance	-40	+150	1000	2000	25	80	800	4700	18×42	22×42	Silver	04	
High Ripple, long Life	RHS	105°C, Long Life, High Ripple, For OBC	-40	+105	4000	5000	160	450	1	1000	10×12.5	22×50	Black	04	
	RHC	105°C, Long Life, High Ripple, For OBC	-40	+105	5000	10000	160	450	2.2	1000	10×12.5	22×50	Black	04	
	RHD	105°C, Long Life, High Ripple, For OBC	-40	+105	8000	12000	160	450	3.3	1000	10×12.5	22×50	Black	04	

* Be sure to "Cautions for using Aluminum Electrolytic capacitors", before using these products.

● Some of the series listed in the below table have been removed from the catalogue.

Please select from the new series for a designing your(new) application.

Category	Series	Application	Category Temp. Range (°C)		Life time Range (hours)		Rated Voltage Range (V.DC)		Rated Capacitance Range (μF)		Size range φD x L (mm)		Substitute series to recommend
			Min.	Max.	Min.	Max.	Min.	Max.	Min.	Max.	Min.	Max.	
Polymer	PRM	Ultra Low ESR Conductive Polymer Chip	-55	+105	2000		2.5	6.3	120	1200	5×5.7	10×7.7	—
Chip	RV2	85°C, 5.5mm L, Standard	-40	+85	2000		4	50	0.1	220	3×5.3	6.3×5.3	RV5
	RV3	85°C, High CV	-40	+85	2000		6.3	50	4.7	330	4×5.3	6.3×7.7	RV5
	RV	85°C, Large Capacitance	-40	+85	2000		6.3	100	10	2200	8×6.5	12.5×13.5	RV5

NOTE : Design, Specifications are subject to change without notice.
It is recommended that you shall obtain technical specifications from ELNA to ensure that the component is suitable for your use.

■ Type List for Aluminum Electrolytic Capacitors

★ : New series
☆ : Upgrade

● Large Capacitance Aluminum Electrolytic Capacitors

Category	Series	Application	Category Temp. Range (°C)		Life time Range (hours)	Rated Voltage Range (V.DC)		Rated Capacitance Range (μF)		Size range φD x L (mm)		Outside color	JIS Configurati	Note
			Min.	Max.		Min.	Max.	Min.	Max.	Min.	Max.			
Snap-in	LA5	Miniaturized	-40 -25	+85	2000	10 —	400 450	56 47	150000 820	22×20	35×50	Black	692	
	LAH	105°C , Standard	-40 -25	+105	2000	16 160	100 450	390 56	82000 2200	22×20	35×50	Black	692	
	LAT	105°C , Miniaturized	-25	+105	2000	160	500	22	3900	22×20	35×60	Black	692	
	LAZ	High-Reliability, High Ripple, Long Life	-40 -25	+105	3000	16 160	100 500	390 39	82000 3900	22×20	35×50 35×60	Black	692	
	LAX	105°C, Ultra Long Life	-25	+105	5000	160	500	39	3900	22×20	35×60	Black	692	
	LJ6	105°C , Higher Capacitance, Ultra Long Life	-25	+105	5000	200	500	390	3900	35×40	40×80	Black	—	
	LJ2	105°C , Higher Capacitance, Ultra Long Life	-25	+105	5000	200	500	560	3900	40×45	40×80	Black	—	
Special	LPM	High ripple current	-25	+85	2000	250	400	45	220	35×40	35×50	Black	692	
	LM	High ripple current, Higher Capacitance	-25	+85	2000	250	400	90	440	35×80	40×100	Black	—	
Screw terminal	LYX	105°C . Ultra Long Life	-40	+105	5000	350	450	1000	15000	51×75	90×236	Black	331	
	LYL	Ultra Long Life	-40	+85	20000	350	450	1000	15000	51×75	90×236	Black	331	
	LY6	High Ripple, Miniaturized	-25	+85	5000	400	600	1000	22000	51×115	101×237	Black	331	
	LY5	Standard	-40 -25	+85	2000	10 350	250 630	1500 470	820000 18000	36×53 36×83	90×171 101×220	Black	331	

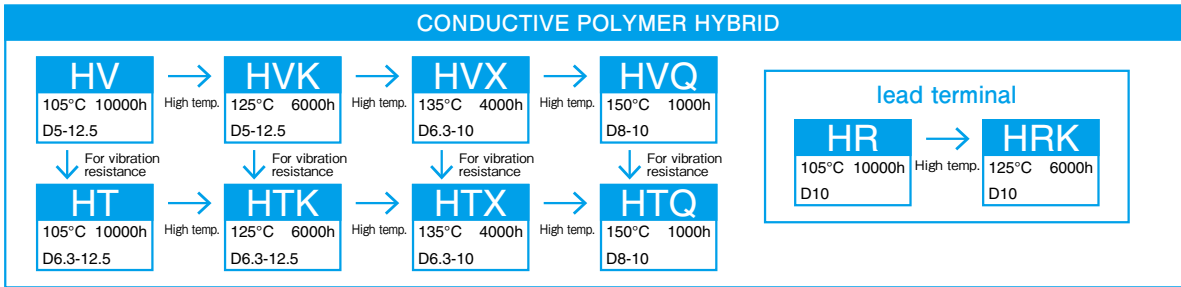
● Aluminum Electrolytic Capacitors for Audio

Category	Series	Application	Category Temp. Range (°C)		Life time Range (hours)	Rated Voltage Range (V.DC)		Rated Capacitance Range (μF)		Size range φD x L (mm)		Outside color	JIS Configurati	Note
			Min.	Max.		Min.	Max.	Min.	Max.	Min.	Max.			
For Audio	RVO	Chip Type (PURECAP)	-40	+85	2000	6.3	50	0.33	1000	4×5.3	10×10	Silver	32	
	RVF	Chip Type (SILMIC)	-40	+85	2000	10	50	1	100	4×5.3	8×10	Silver	32	
	RVM	Chip Type 105°C , 2000h	-55	+105	2000	6.3	50	1	470	4×5.8	10×10.5	Silver	32	
	RVG	Chip Type	-40	+85	2000	6.3	35	3.3	470	4×5.3	10×10	Silver	32	
	RFS	High Grade (SILMIC II)	-40	+85	1000	6.3	100	3.3	3300	5×11	18×40	Brown	04	
	ROS	High Grade (SILMIC)	-40	+85	1000	16	100	10	2200	6.3×11	18×40	Brown	04	
	ROB	Miniaturized Standard (TONEREX)	-40	+85	1000	6.3	100	1	10000	5×11	18×40	Black	04	
	RFO	Standard (PURECAP)	-40	+85	1000	6.3	100	1	15000	5×11	18×35.5	Black	04	
	RA3	Miniaturized Standard	-40	+85	2000	6.3	100	1	22000	5×11	18×35.5	Brown	04	
	RW5	105°C , Miniaturized	-55	+105	1000	16	25	100	15000	5×11.5	18×40	Black	04	
	RBD	Miniaturized Bipolar	-40	+85	2000	6.3	100	1	4700	5×11	18×35.5	Black	04	
	LA0	For Audio, Higher Capacitance	-40	+85	1000	16	100	680	10000	22×20	35×50	Black	692	

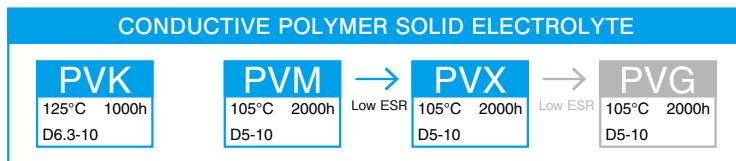
* Be sure to "Cautions for using Aluminum Electrolytic capacitors", before using these products.

Systematized Classification of Aluminum Electrolytic Capacitors

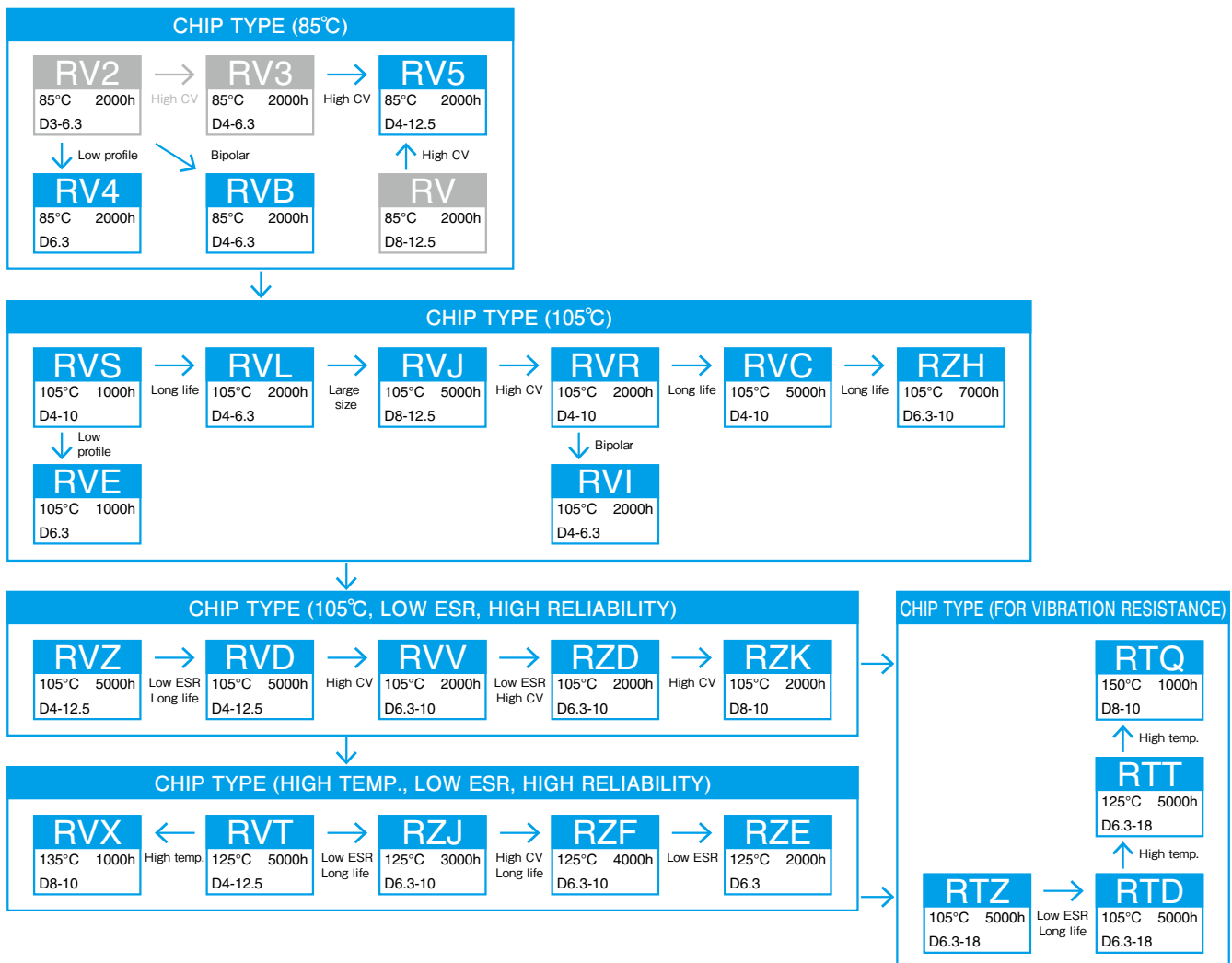
Conductive Polymer Hybrid Aluminum Electrolytic Capacitors



Aluminum Electrolytic Capacitors with Conductive Polymer Solid Electrolyte



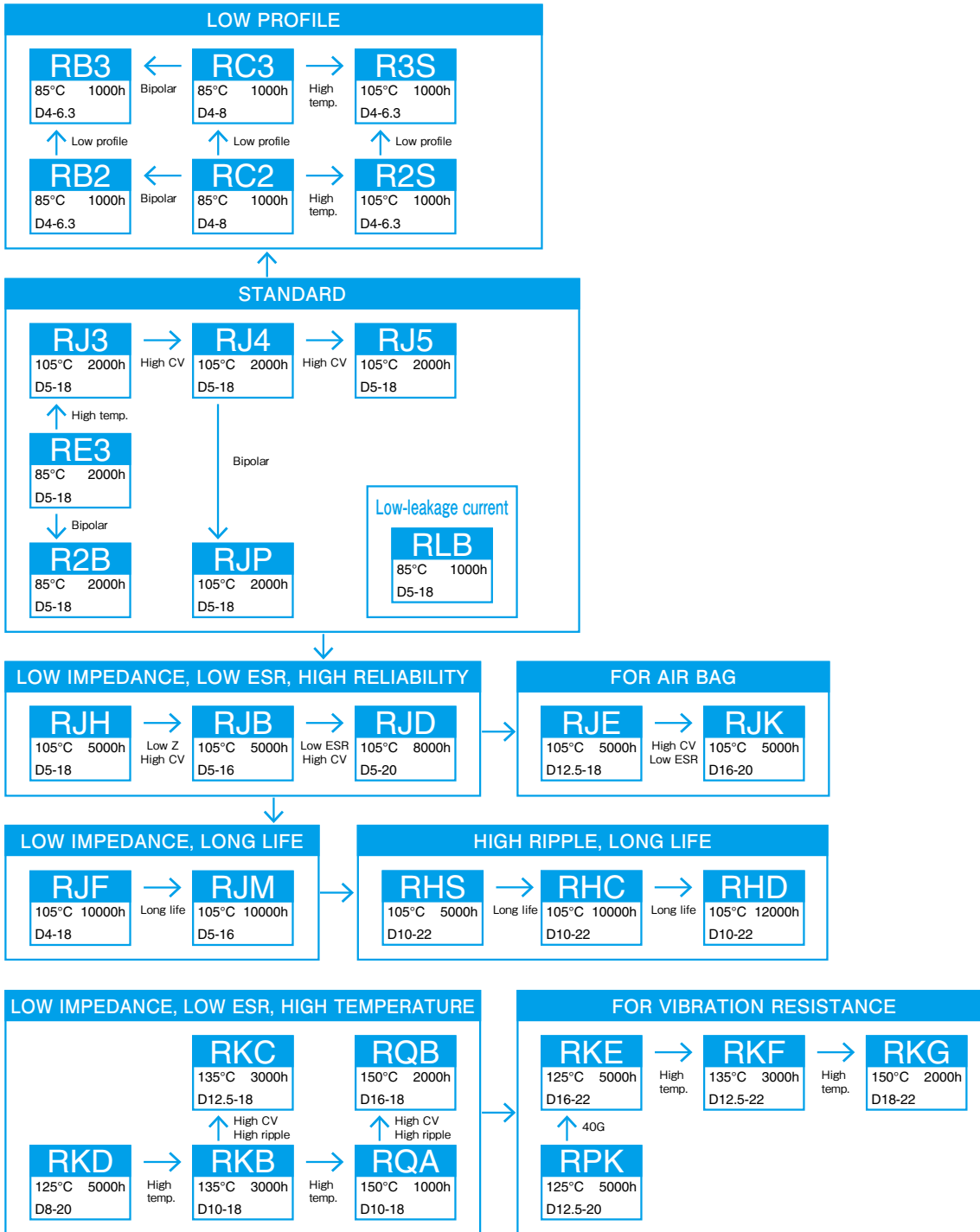
Chip Type Aluminum Electrolytic Capacitors



NOTE : Design, Specifications are subject to change without notice. It is recommended that you shall obtain technical specifications from ELNA to ensure that the component is suitable for your use.

■ Systematized Classification of Aluminum Electrolytic Capacitors

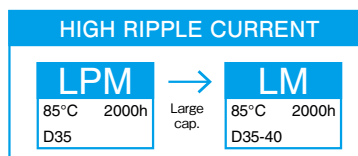
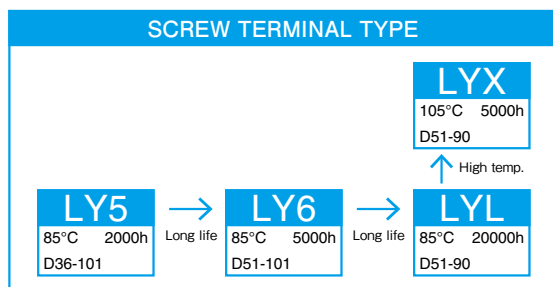
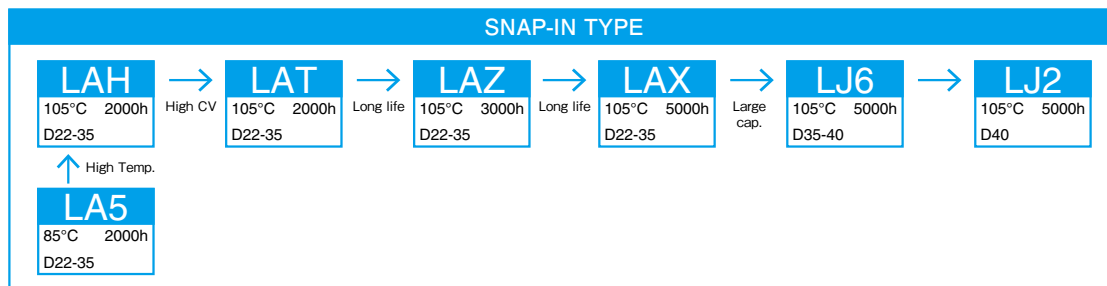
● Miniature Aluminum Electrolytic Capacitors



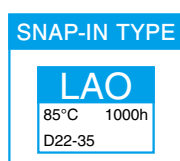
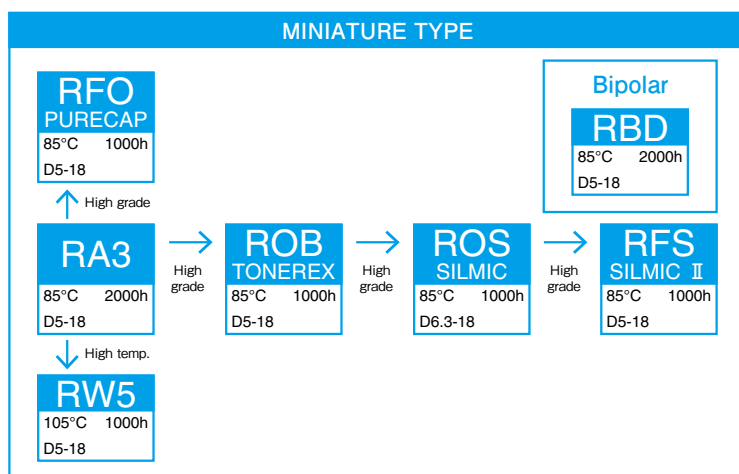
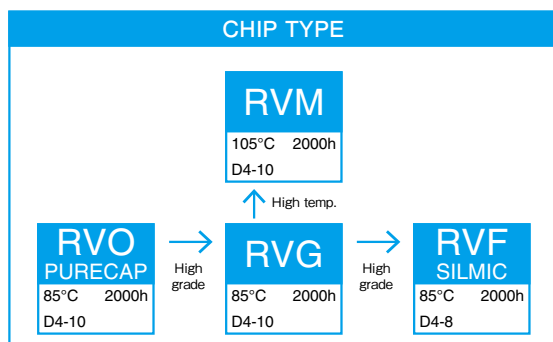
NOTE : Design, Specifications are subject to change without notice.
It is recommended that you shall obtain technical specifications from ELNA to ensure that the component is suitable for your use.

■ Systematized Classification of Aluminum Electrolytic Capacitors

● Large Capacitance Aluminum Electrolytic Capacitors

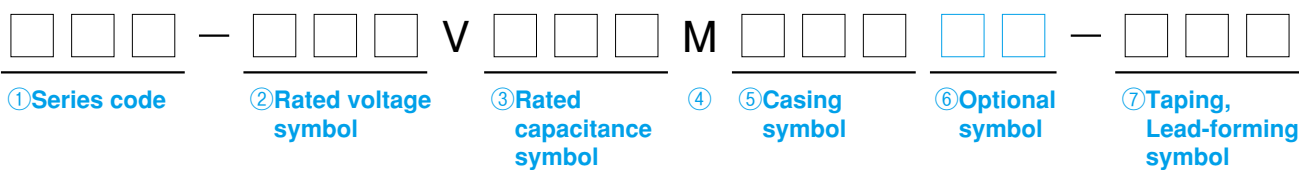


● Aluminum Electrolytic Capacitors For Audio



NOTE : Design, Specifications are subject to change without notice.
It is recommended that you shall obtain technical specifications from ELNA to ensure that the component is suitable for your use.

■ Product Symbol System for Aluminum Electrolytic Capacitors



① Series code

Please refer to the page of each series.

② Rated voltage symbol

Write down the rated voltage itself ; however, write 2R5 for 2.5V, 6 for 6.3V.

③ Rated capacitance symbol

The symbol denoting nominal capacitance shall consist of three numerals.
 The first and second numerals shall represent the significant figures of nominal capacitance in the unit of microfarad (μF).
 And the third numeral shall represent the number of zeros following the significant figures.
 A decimal point is expressed with "R."

Example

Rated capacitance (μF)	Symbol
0.1	R10
1	010
2.2	2R2
33	330
100	101
2200	222
33000	333
470000	474

④ Capacitance tolerance symbol

Example

Capacitance tolerance	Symbol
±10%	K
±20%	M
-10 to +30%	Q
-10 to +50%	T

⑤ Casing symbol

Please refer to the page of each series.

⑥ Optional symbol

Plating

Example

Symbol	Contents
#	Sn 100% plating +PET sleeve (lead terminal type)
U	Sn-Bi plating (chip type)
T	Sn 100% plating (chip type)

For Automotive

Example

Symbol	Contents
Q	Based on AEC-Q200
N	Based on AEC-Q200

⑦ Taping, Lead-forming symbol

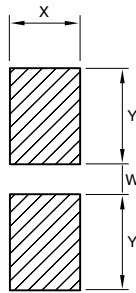
Write down one of the forming symbols given on page for taping and lead-forming capacitors.
 When taping or lead-forming is not necessary, leave the boxes blank.

NOTE : Design, Specifications are subject to change without notice.
 It is recommended that you shall obtain technical specifications from ELNA to ensure that the component is suitable for your use.

Recommended land pattern and size

(Vertical chip type)

- Standard type



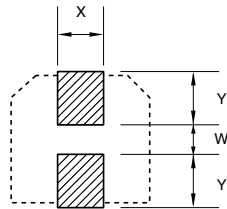
(Unit : mm)

Case Size φD×L	Land Size			Thickness of Solder paste
	X	Y	W	
4×4.5, 5.3, 5.7, 5.8	1.6	2.6	1.0	0.15
5×4.5, 5.3, 5.7, 5.8	1.6	3.0	1.4	0.15
6.3×4.5, 5.3, 5.7, 5.8	1.6	3.6	1.9	0.15
6.3×7.7	1.6	3.6	1.9	0.15
8×6.5, 8.7	1.6	*4.0	*2.1	0.15
8×10, 10.5	2.5	*3.5	*3.0	0.15
10×8.7, 10, 10.5, 12.5	2.5	*4.0	*4.0	0.15
12.5×13.5	3.2	6.0	4.0	0.15

* For Vibration resistance use
 φ8×6.5 Y=4.5 W=1.0
 φ8×10, φ8×10.5 Y=4.0 W=2.5
 φ10×10, φ10×10.5 Y=4.5 W=3.0
 φ10×12.5 Y=4.5 W=3.0

- For vibration resistance type

RTZ, RTD, RTT, RTQ, RTV, RMH, RMD, RMJ, RMF, RME, HT, HTK, HTX, HTQ series



(Unit : mm)

Case Size φD	Land Size			Thickness of Solder paste
	X	Y	W	
6.3	3.0	4.0	1.6	0.20
8	5.0	4.0	2.5	0.20
10	5.0	4.8	3.6	0.20
12.5	7.0	6.6	3.2	0.20
16	10.5	7.8	5.0	0.20
18	10.5	8.8	5.0	0.20

■ Recommended soldering conditions (Lead free)

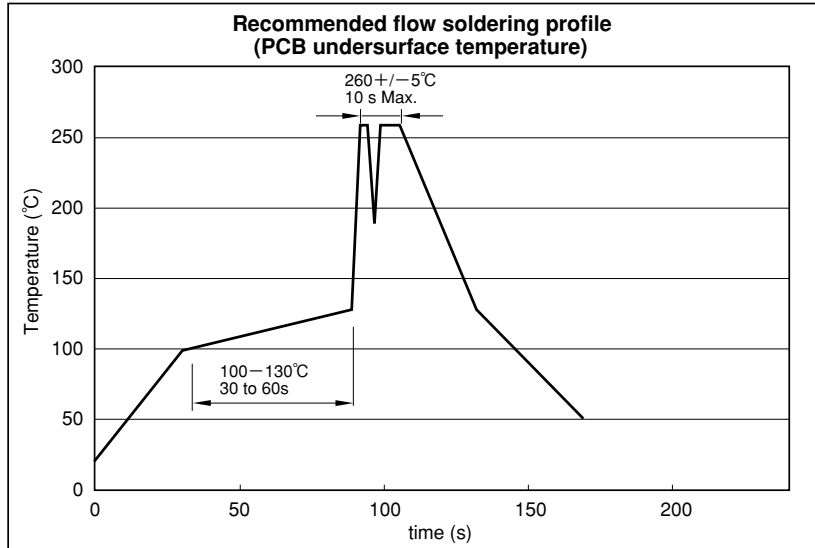
● Aluminum (Conductive Polymer, Hybrid) electrolytic capacitors (Lead terminal type, Snap-in type)

(1) Soldering iron conditions

Iron tip temperature shall be $400^{\circ}\text{C} \pm 5^{\circ}\text{C}$ within the duration of 3^{+1}_0 seconds.

(2) Flow soldering conditions

The recommendation soldering conditions of the product in which flow soldering is possible are as graph.



Caution for Using aluminum Electrolytic Capacitors

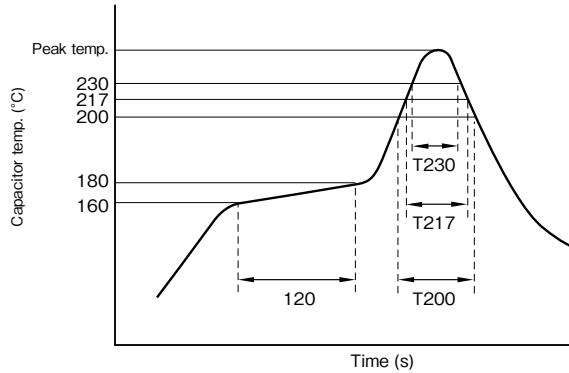
- (1) Do not dip the capacitor into melted solder.
- (2) Do not flux other part than the terminals.
- (3) If there is a direct contact between the sleeve of the capacitor and the printed circuit pattern or a metal part of another component such as a lead wire, it may cause shrinkage or crack.
- (4) If the application is for extended use, understand and manage the soldering characteristics to avoid abnormal current caused by a contact failure between the capacitor and the PCB.
- (5) Please refer to cautions for using on page and product specifications about other notes.

■ Recommended soldering conditions (Lead free)

● Chip type aluminum (Conductive Polymer, Hybrid) electrolytic capacitors

- (1) Soldering iron conditions
Iron tip temperature shall be 400°C±5°C within the duration of 3¹/₂ seconds.
- (2) Reflow soldering conditions

Profile



1. Preheating shall be under 180°C within 120 seconds.
2. Peak temperature shall be within the following table.
3. For conditions exceeding the tolerances, consult with us.

T200 : Duration while capacitor head temperature exceeds 200°C (s)
 T217 : Duration while capacitor head temperature exceeds 217°C (s)
 T230 : Duration while capacitor head temperature exceeds 230°C (s)
 The measurement temperature point is the case top.

● Chip type aluminum Conductive Polymer, Hybrid electrolytic capacitors

Series	Size	Peak temp. (5sec or less)	T230	T217	T200	Reflow cycle
HV, HVK, HVX, HVQ, HT, HTK, HTX, HTQ, PVX, PVM, PVK	φ 5 to φ 6.3	250°C Max.	40 sec. max.	50 sec. max.	60 sec. max.	2 times or less
	φ 8 to φ 10	240°C Max.	40 sec. max.	50 sec. max.	60 sec. max.	2 times or less
	φ 12.5	240°C Max.	20 sec. max.	30 sec. max.	50 sec. max.	2 times or less

● Chip type aluminum electrolytic capacitors

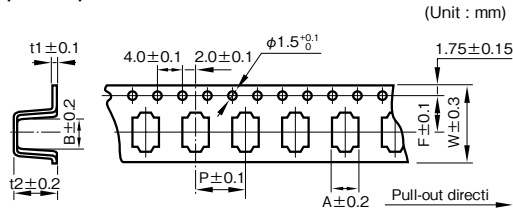
Series	Size	Peak temp. (5sec or less)	T230	T217	T200	Reflow cycle
RV2, RV3, RV5, RV, RVB, RVS, RVL, RVR, RVC, RZH, RVZ, RVD, RVV, RZD, RZK, RVT, RZJ, RZF, RZE, RVX, RVE, RVI, RVO, RVF, RVM, RVG	φ 4 to φ 6.3	250°C Max.	40 sec. max.	50 sec. max.	60 sec. max.	2 times or less
	φ 8 to φ 10	240°C Max.	40 sec. max.	50 sec. max.	60 sec. max.	2 times or less
	φ 12.5	240°C Max.	20 sec. max.	30 sec. max.	50 sec. max.	2 times or less
RV4	φ 4 to φ 5	250°C Max.	40 sec. max.	50 sec. max.	60 sec. max.	2 times or less
	φ 6.3	240°C Max.	40 sec. max.	50 sec. max.	60 sec. max.	2 times or less
RVJ	φ 8 to φ 10	240°C Max.	40 sec. max.	50 sec. max.	60 sec. max.	2 times or less
	φ 12.5	230°C Max.	—	20 sec. max.	30 sec. max.	2 times or less
RZA, RZB, RZC	φ 4 to φ 6.3	260°C Max.	40 sec. max.	90 sec. max.	—	2 times or less
	φ 8 to φ 10	250°C Max.	40 sec. max.	90 sec. max.	—	2 times or less
RTZ, RTD, RTT, RTQ, RTV, RMH, RMD, RMK, RMJ, RMF, RME	φ 6.3	250°C Max.	40 sec. max.	60 sec. max.	80 sec. max.	2 times or less
	φ 8 to φ 10	250°C Max.	30 sec. max.	60 sec. max.	80 sec. max.	2 times or less
	φ 12.5 to φ 18	240°C Max.	20 sec. max.	30 sec. max.	50 sec. max.	2 times or less

*Please ensure that the capacitor became cold enough to the room temperature (5 to 35°C) before the second reflow.

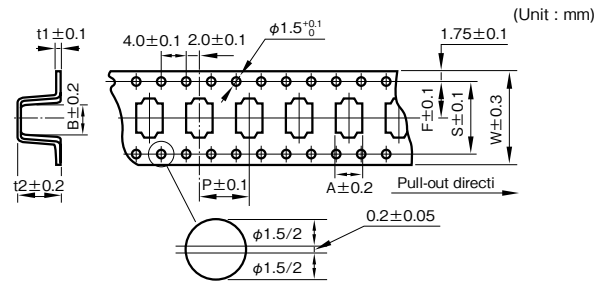
Taping

Carrier tape dimension (taping polarity R)

● $\phi 4$ to $\phi 10$

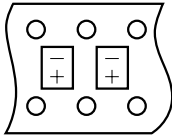
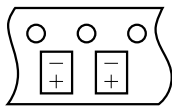


● $\phi 12.5$ to 18



Taping polarity

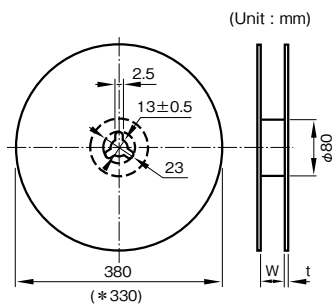
(The all series except bipolar type)



(Unit : mm)

Outside size $\phi D \times L$	W	A	B	P	t2	F	t1	S
4×4.5	12	4.7	4.7	8.0	4.8	5.5	0.4	—
4×5.3	12	4.7	4.7	8.0	5.8	5.5	0.4	—
4×5.7, 5.8	12	4.7	4.7	8.0	6.2	5.5	0.4	—
5×4.5	12	5.7	5.7	12	4.8	5.5	0.4	—
5×5.3	12	5.7	5.7	12	5.8	5.5	0.4	—
5×5.7, 5.8	12	5.7	5.7	12	6.2	5.5	0.4	—
6.3×4.5	16	7.0	7.0	12	4.8	7.5	0.4	—
6.3×5.3	16	7.0	7.0	12	5.8	7.5	0.4	—
6.3×5.7, 5.8	16	7.0	7.0	12	6.2	7.5	0.4	—
6.3×7.7	16	7.0	7.0	12	8.3	7.5	0.4	—
8×6.5	16	8.7	8.7	12	6.8	7.5	0.4	—
8×8.7	24	8.7	8.7	16	9.5	11.5	0.4	—
8×10	24	8.7	8.7	16	11	11.5	0.4	—
8×10.5	24	8.7	8.7	16	12	11.5	0.4	—
10×8.7	24	10.7	10.7	16	9.5	11.5	0.4	—
10×10	24	10.7	10.7	16	11	11.5	0.4	—
10×10.5	24	10.7	10.7	16	11.5	11.5	0.4	—
10×12.5	24	10.7	10.7	16	13.0	11.5	0.4	—
* 12.5×13.5	32	13.4	13.4	24	14.5	14.2	0.5	28.4
* 16×16.5	44	17	17	28	17.5	20.2	0.5	40.4
* 16×21.5	44	17	17	28	22.5	20.2	0.5	40.4
* 18×16.5	44	19	19	32	17.5	20.2	0.5	40.4
* 18×21.5	44	19	19	32	22.5	20.2	0.5	40.4

Reel dimension



(Unit : mm)

Outside size $\phi D \times L$	Reel dimension	
	W	t
4	14	3
5	14	3
6.3	18	3
8×6.5	18	3
8, 10	26	3
* 12.5	34	3
* 16	46	3
* 18	46	3

Packing quantity (Reel)

Outside size $\phi D \times L$	Quantity (PCS.)
4	2000
5, 6.3	1000
8×6.5	1000
8×8.7 to 10.5	500
10×8.7 to 10.5	500
10×12.5	400
* 12.5×13.5	200
* 16×16.5	125
* 16×21.5	75
* 18×16.5	125
* 18×21.5	75

Reel material

Card board : symbol R
Polystyrene: symbol R2 ($\phi 10$ or less)
R5 ($\phi 12.5$ or more)

NOTE : Design, Specifications are subject to change without notice.
It is recommended that you shall obtain technical specifications from ELNA to ensure that the component is suitable for your use.

Lead Forming

• In order to facilitate insertion into printed circuit board, lead wires are cut or formed.

Product Size Table

Unit: mm

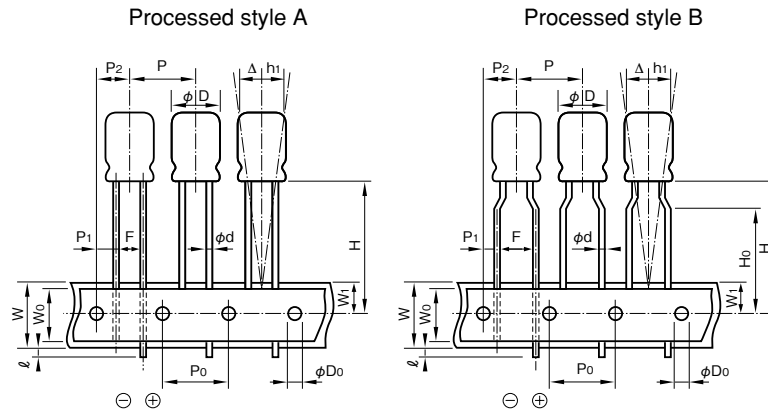
Forming name	Lead forming symbol	Dimension		Style	Outline drawing
		F (Lead pitch)	φD (Case diameter)		
Forming cut	F10	2.0	4	B	
	F1		5	A	
	F12	2.5	4 to 5	B	
	F1		6.3	A	
	F1	3.5	8	A	
	F4		4 to 8	B	
	F	5.0	4 to 8	B	
	F		10 to 12.5	A	
F	7.5	16 to 18	A		
Snap-in	S1	5.0	4 to 8	B	
	S1		10 to 12.5	A	
	S1	7.5	16 to 18	A	
	S1		16 to 18	A	
Forming cut (restrict series)	F49	5.0	10 to 12.5		
	F51		10 to 12.5		
	F58	10			
	F49	7.5	16 to 18		
	F51		16 to 18		

Forming name	Lead forming symbol	Dimension				Outline drawing
		F (Lead pitch)	φD (Case diameter)	ℓ ₀	ℓ ₁	
For 90° side mount of case	G9, G10	3.5	8	5.5	1.0	
	G59, G60		8	3.6	1.0	
	G9, G10	5.0	10 to 12.5	5.5	1.0	
	G55, G56		12.5	7.5	2.5	
	G59, G60	10 to 12.5	3.6	1.0		
	G95, G96		12.5	0.95	4.9	
	G99, GA0	10	1.0	1.9		
	GAS, GAT	10 to 12.5	4.5	1.0		
	G9, G10		7.5	16 to 18	5.5	
	GAS, GAT	16 to 18		4.5	1.0	

NOTE : Design, Specifications are subject to change without notice.
It is recommended that you shall obtain technical specifications from ELNA to ensure that the component is suitable for your use.

Taping

• For automatic insertion (radial lead type)



*The shape of a lead wire sandwiched by the mounting strips may differ from the ones shown in the figures.

Product Size Table

Unit: mm

Item	Symbol	Tolerance	5L to 8L	
			φ4 to φ8(except φ8×7L)	φ4 to φ8
Lead forming symbol	—	—	T36	T2
Style	—	—	A or B	
Lead-wire diameter	φd	±0.05	0.4 or 0.45	
Lead to lead distance	F	+0.8 -0.2	2.5	5.0
Height of component from tape center	H	+0.75 -0.5	18.5	17.5
Lead-wire clinch height	H ₀	±0.5	—	16.0 (φ4) 16.0
Pitch of component	P	±1.0	12.7	
Feed hole pitch	P ₀	±0.3	12.7	
Hole center to lead	P ₁	±0.5	5.1	3.85
Hole center to component	P ₂	±1.0	6.35	
Tape width	W	±0.5	18.0	
Hold down tape width	W ₀	Min.	6.0	
Feed hole position	W ₁	±0.5	9.0	
Max. lead protrusion	ℓ	Max.	1.0	
Feed hole diameter	φD ₀	±0.2	4.0	
Alignment of component to center	Δh	±1.0	0	
Alignment of component to center	Δh ₁	±1.0	0	
Total tape thickness	t	±0.2	0.7	

NOTE : Design, Specifications are subject to change without notice.
It is recommended that you shall obtain technical specifications from ELNA to ensure that the component is suitable for your use.

■ Taping

- For automatic insertion (radial lead type)

Product Size Table

Unit: mm

Item	Symbol	Tolerance	11L to 25L					
			φ5, φ6.3		φ8	φ10	φ12.5	
Lead forming symbol	—	—	T36	T58	T2	T2	T2	T4
Style	—	—	A or B		B		A	
Lead-wire diameter	φd	±0.05	0.5 or 0.6			0.6		
Lead to lead distance	F	+0.8 -0.2	2.5		5.0			
Height of component from tape center	H	+0.75 -0.5	18.5	17.5	18.5	20.0	18.5	
Lead-wire clinch height	Ho	±0.5	—		16.0		—	
Pitch of component	P	±1.0	12.7					15.0
Feed hole pitch	Po	±0.3	12.7					15.0
Hole center to lead	P1	+0.5 (10 to φ18 ±0.7)	5.1		3.85			5.0
Hole center to component	P2	±1.0	6.35					7.5
Tape width	W	±0.5	18.0					
Hold down tape width	Wo	Min.	6.0					
Feed hole position	W1	±0.5	9.0					
Max. lead protrusion	ℓ	Max.	1.0					
Feed hole diameter	φD0	±0.2	4.0					
Alignment of component to center	Δh	±1.0	0					
Alignment of component to center	Δh1	±1.0	0					
Total tape thickness	t	±0.2	0.7					

Part numbering system (example: Series RJB, 10V470μF, 5mm pitch taping)

RJB	—	10	V	471	M	G3	#	—	T2
Series code		Rated voltage symbol		Rated capacitance symbol	Capacitance tolerance symbol	Casing symbol			Taping symbol

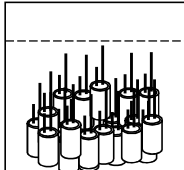
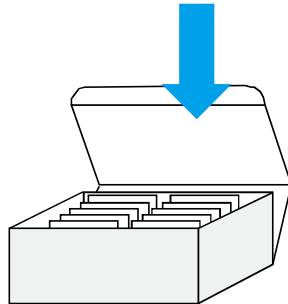
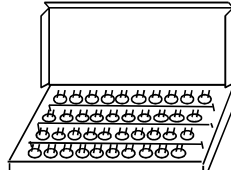
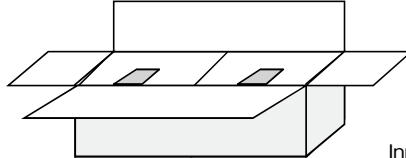
Standard packing specification of aluminum (Conductive Polymer, Hybrid) electrolytic capacitors (taping article)


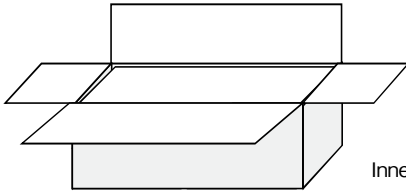
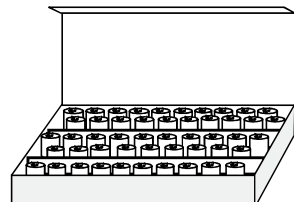
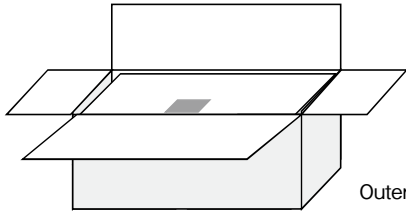
Classification	Chip type	
	Conductive polymer hybrid aluminum electrolytic capacitors, Aluminum electrolytic capacitors	Aluminium electrolytic capacitors with conductive polymer solid electrolyte
Packing style	<p>Reel</p> <p>Inner box</p>	<p>Reel</p> <p>Dampproof bag</p> <p>Inner box</p>

Classification	Lead terminal type																																																																										
Packing style	<p>Flat box</p> <p>Inner box</p>	<p>Packing size and quantity</p> <table border="1"> <thead> <tr> <th rowspan="2">Case size</th> <th colspan="3">Size (mm max.)</th> <th rowspan="2">Quantity (pcs)</th> </tr> <tr> <th>W</th> <th>L</th> <th>H</th> </tr> </thead> <tbody> <tr><td>$\phi 4 \times 5, \phi 4 \times 7$</td><td>210</td><td>340</td><td>55</td><td>2,000</td></tr> <tr><td>$\phi 5 \times 5, \phi 5 \times 7$</td><td>270</td><td>340</td><td>55</td><td>2,000</td></tr> <tr><td>$\phi 5 \times 11, \phi 5 \times 11.5$</td><td>265</td><td>340</td><td>55</td><td>2,000</td></tr> <tr><td>$\phi 6.3 \times 5, \phi 6.3 \times 7$</td><td>300</td><td>340</td><td>55</td><td>2,000</td></tr> <tr><td>$\phi 6.3 \times 11, \phi 6.3 \times 11.5$</td><td>300</td><td>340</td><td>60</td><td>2,000</td></tr> <tr><td>$\phi 8 \times 5, \phi 8 \times 7$</td><td>270</td><td>340</td><td>55</td><td>1,000</td></tr> <tr><td>$\phi 8 \times 11.5, \phi 8 \times 12$</td><td>265</td><td>340</td><td>55</td><td>1,000</td></tr> <tr><td>$\phi 8 \times 15, \phi 8 \times 20$</td><td>255</td><td>345</td><td>65</td><td>1,000</td></tr> <tr><td>$\phi 10 \times 12.5, \phi 10 \times 16$</td><td>215</td><td>340</td><td>60</td><td>500</td></tr> <tr><td>$\phi 10 \times 20$</td><td>210</td><td>340</td><td>65</td><td>500</td></tr> <tr><td>$\phi 12.5 \times 15$</td><td>290</td><td>340</td><td>65</td><td>500</td></tr> <tr><td>$\phi 12.5 \times 20$</td><td>290</td><td>340</td><td>65</td><td>500</td></tr> <tr><td>$\phi 12.5 \times 25$</td><td>290</td><td>340</td><td>70</td><td>500</td></tr> </tbody> </table>	Case size	Size (mm max.)			Quantity (pcs)	W	L	H	$\phi 4 \times 5, \phi 4 \times 7$	210	340	55	2,000	$\phi 5 \times 5, \phi 5 \times 7$	270	340	55	2,000	$\phi 5 \times 11, \phi 5 \times 11.5$	265	340	55	2,000	$\phi 6.3 \times 5, \phi 6.3 \times 7$	300	340	55	2,000	$\phi 6.3 \times 11, \phi 6.3 \times 11.5$	300	340	60	2,000	$\phi 8 \times 5, \phi 8 \times 7$	270	340	55	1,000	$\phi 8 \times 11.5, \phi 8 \times 12$	265	340	55	1,000	$\phi 8 \times 15, \phi 8 \times 20$	255	345	65	1,000	$\phi 10 \times 12.5, \phi 10 \times 16$	215	340	60	500	$\phi 10 \times 20$	210	340	65	500	$\phi 12.5 \times 15$	290	340	65	500	$\phi 12.5 \times 20$	290	340	65	500	$\phi 12.5 \times 25$	290	340	70	500
Case size	Size (mm max.)			Quantity (pcs)																																																																							
	W	L	H																																																																								
$\phi 4 \times 5, \phi 4 \times 7$	210	340	55	2,000																																																																							
$\phi 5 \times 5, \phi 5 \times 7$	270	340	55	2,000																																																																							
$\phi 5 \times 11, \phi 5 \times 11.5$	265	340	55	2,000																																																																							
$\phi 6.3 \times 5, \phi 6.3 \times 7$	300	340	55	2,000																																																																							
$\phi 6.3 \times 11, \phi 6.3 \times 11.5$	300	340	60	2,000																																																																							
$\phi 8 \times 5, \phi 8 \times 7$	270	340	55	1,000																																																																							
$\phi 8 \times 11.5, \phi 8 \times 12$	265	340	55	1,000																																																																							
$\phi 8 \times 15, \phi 8 \times 20$	255	345	65	1,000																																																																							
$\phi 10 \times 12.5, \phi 10 \times 16$	215	340	60	500																																																																							
$\phi 10 \times 20$	210	340	65	500																																																																							
$\phi 12.5 \times 15$	290	340	65	500																																																																							
$\phi 12.5 \times 20$	290	340	65	500																																																																							
$\phi 12.5 \times 25$	290	340	70	500																																																																							

Please inquire for details.

Standard packing specification of aluminum electrolytic capacitors (long lead, lead forming)

Classification	Long lead, Lead forming of $\phi 10$ or less (Standard packing)	Lead forming of $\phi 12.5$ or more (Standard packing)
Packing style	 Plastic bag  Inner box	 Small box  Inner box

Classification	$\phi 10$ to $\phi 22$ (Optional packing)	$\phi 22$ or more (Standard packing)
Packing style	 Tray  Inner box	 Inner box  Outer box

Please inquire for details.

**Conductive Polymer Hybrid Aluminum Electrolytic Capacitors
Aluminum Electrolytic Capacitors With Conductive Polymer Solid Electrolyte**

■ Cautions for Using Conductive Polymer Hybrid Aluminum Electrolytic Capacitors, Aluminum Electrolytic Capacitors With Conductive Polymer Solid Electrolyte

Please be sure to read this specification before using this product.

Before placing an order, please inquire about the Specification to check details.

■ Cautions for Usage

1. Conductive Polymer Hybrid Aluminum Electrolytic Capacitors, Solid Conductive Polymer Aluminum Electrolytic Capacitors are polarized.

- Using a capacitor with reversed polarity causes abnormal current flow, resulting in a short circuit.
- Cannot use for the circuit to which the polarity reverses by ripple voltage.

2. Prohibited Circuits

- Since leakage current problem may arise, capacitors cannot be used in the following circuits.
 - ① Coupling circuits
 - ② Circuits greatly affected by leakage current

3. Use capacitors within the rated voltage.

- The application of voltages exceeding the rated voltage can significantly increase leakage current, resulting in a short failure. Please do not apply a voltage exceeding the rated voltage.

4. Be careful of excessive rush current.

- Using capacitors in the circuit where excessive rush current passes may cause characteristic deterioration or a short. When the rush current exceeds 10 A, we recommend use of protection circuits to ensure high reliability.

5. Use the allowable ripple voltage and the rated ripple current below the specified values.

- When superimposing a ripple voltage on a DC bias voltage, exercise care that the peak voltage value does not exceed the rated voltage and does not reverse the polarity.
- The rated ripple current shall be below the specified value.

6. Changes in characteristics due to operating temperature

- The characteristics of conductive polymer hybrid aluminum electrolytic capacitors, solid conductive polymer aluminum electrolytic capacitors vary by temperature as follows. These variations are temporary and recover when the temperature goes back (except for the case of characteristic deterioration because of high temperatures over a long time). Note that using capacitors over the upper category temperature increases leakage current, resulting in a short and destruction.

Be careful of the capacitor temperature considering not only the ambient temperature where the equipment is placed and the temperature inside the equipment but also radiation heat from the heating element inside the equipment, and self-heat

generation by ripple current.

- ① Capacitance expressed in the value at 20°C, 120 Hz increases with increased temperature and decreases with decreasing temperature.
- ② Tangent of loss angle ($\tan\delta$) expressed in the value at 20°C, 120 Hz is temperature-independent.
- ③ Equivalent series resistance (ESR) expressed in the value at 20°C, 100 kHz is temperature independent.
- ④ Leakage current increases with increased temperature and decreases with decreasing temperature.

7. Changes in characteristics due to frequency

- The characteristics of conductive polymer hybrid aluminum electrolytic capacitors, solid conductive polymer aluminum electrolytic capacitors vary by operating frequency as follows.
 - ① Capacitance expressed in the value at 20°C, 120 Hz decreases with increased frequency.
 - ② Tangent of loss angle ($\tan\delta$) expressed in the value at 20°C, 120 Hz increases with increased frequency.
 - ③ Equivalent series resistance (ESR) expressed in the value at 20°C, 100 kHz increases with decreasing frequency.

8. Failure modes of solid conductive polymer aluminum electrolytic capacitors

- The failure modes of solid conductive polymer aluminum electrolytic capacitors are a wear-out failure by deterioration of electrical performance and a random failure by a short. The failure rate level is 0.5%/1,000h at the reliability level of 60% with the specified voltage applied at 105°C.
- If a short occurs and continues with the application of a voltage exceeding the rated voltage, increasing the internal temperature, the internal pressure increases by vaporization of the cathode material, which may cause the aluminum case to come off.

9. Operating environments

- Do not use capacitors in an environment directly exposed to water, saltwater spray, oil spill or condensation.
- Do not use capacitors in an environment filled with toxic gas such as hydrogen sulfide, sulfurous acid, nitrous acid, chlorine, ammonia, etc.
- Do not use capacitors in a place exposed to ozone, ultraviolet rays, or radiation.

10. Fumigation Process

- Before transportation of electronic equipment to overseas, fumigation process may be subjected to wooden packing material with a halogen (compound) gas such as methyl bromide. Exercise care that this halogen gas may corrode capacitors. Also, be careful of epidemic preventive agent as corrosive component such as halogen may be contained.

11. The case of Conductive Polymer Hybrid Aluminum Electrolytic Capacitors, Solid Conductive Polymer Aluminum Electrolytic Capacitors and the cathode terminal are not insulated.

- The case and the cathode terminal are not insulated as being connected through inconstant resistance.

12. Double-sided PCB's

- When using capacitors on a double-sided PCB, exercise care that the wiring pattern does not touch the area where the capacitors are mounted. Failure to do so may cause a short to occur to the PCB depending on the mounting conditions.

13. Regarding Connection of Conductive Polymer Hybrid Aluminum Electrolytic Capacitors, Solid Conductive Polymer Aluminum Electrolytic Capacitors

- When connecting more than one capacitor in parallel, consider the current balance.

14. Use at a high altitude

- The use of capacitors at high altitudes such as on an airplane causes a large difference between the internal pressure of the capacitors and the atmospheric pressure. However, there is no problem in use under atmospheric pressure up to about an altitude of 10,000 meters.

If the condition is severe like space, please contact us.

15. Other Notes

- Do not use capacitors on a circuit where rapid charge and discharge are repeated.
- Electrical characteristics of capacitors vary by variations in temperature and frequency. Please consider these variations when designing a circuit.

■ Cautions for Mounting

1. Cautions for Mounting

- Do not reuse capacitors that have been assembled in a set and energized. Capacitors cannot be reused except for those which have been measured on electrical performance during periodic inspection.
- Before mounting, confirm the capacitor ratings (rated capacitance and rated voltage).
- Capacitors may generate transient recovery voltage. In this case, discharge through a resistor of about 1 k Ω .

- Before mounting, confirm the polarity of capacitor.
- Do not drop capacitors onto a floor nor use them.
- Do not mount deformed capacitors.
- Do not mount heating parts around capacitors and on the back of the PCB under or back of capacitors).

2. Do not apply excessive pressure to the capacitor or its terminals

- Be careful of the shock force that can be produced by absorbers, product checkers, and centering on automatic inserters and installers.

3. Soldering

- Do not solder capacitor body by dipping into melted solder.
- Soldering conditions (preheating, soldering temperature, terminal dipping time) should be within the ranges specified in the catalog or the delivery specification.
Please refer to individual page.
- Flux should not adhere to the parts other than the terminals.
- When using a soldering iron, avoid excessive stress to capacitor body.
- Although leakage current may increase (from a few μA to hundreds of μA) after soldering, it can be reduced through self-repair by applying voltage. It is advised to operate the set properly after treating with the recommended voltage.
- In case of a long-term use of equipment, control the soldering characteristics so that capacitors and PCB do not fail to connect to avoid abnormal current passage by a failure of soldering to mount.

4. Handling after Soldering

- Do not tilt, fall, raise or twist capacitor body.
- Do not pick up or move PCB by holding a capacitor.
- Do not bump capacitors against objects. When stacking PCB's, make sure that capacitors do not touch the PCB's or other components.
- Do not subject capacitors to excessive stress.

5. Cleaning after Soldering

- Recommended cleaning method
 - ① Cleaning solutions:
 - (a) CLEANTHROUGH 710M, 750H, 750L
 - (b) PINEALPHA ST-100S
 - (c) Techno Care FRW-4~17
 - (d) Isopropyl alcohol (2-propanol)
 - ② Cleaning conditions:
 - (a) The temperature of cleaning solution shall be less than 60°C.
 - (b) Use immersion or ultrasonic waves within two minutes.

- (c) After cleaning, capacitors and PCB's shall thoroughly be rinsed and dried with hot blast for more than 10 minutes. The temperature of such breeze should be less than the upper category temperature.
- (d) After cleaning, do not keep capacitors in cleaning solution atmosphere or airtight containers.
- During cleaning, control the cleaning solution against contamination.

6. Fixing adhesives and coating materials.

- Do not use halogenated fixatives and coatings.
- Before using a fixative or coating, remove flux residues and contaminants from between the PCB and the sealing section of capacitors.
- Dry the cleaning solution before using the adhesive or coating.
- Do not cover up all the sealing sections (terminal side) of capacitors with the adhesive or coating.
- Heat curing conditions of fixative and coating.

■ Other Cautions

1. Do not directly touch the terminals of Conductive Polymer Hybrid Aluminum Electrolytic Capacitors, Solid Conductive Polymer Aluminum Electrolytic Capacitors.

Failure to do so can cause electric shock or burns. Before use, allow capacitors to discharge through a 1kΩ resistor (with a sufficient margin to the heat generation capacity) as needed.

2. Do not short-circuit between the terminals of the Conductive Polymer Hybrid Aluminum Electrolytic Capacitors, Solid Conductive Polymer Aluminum Electrolytic Capacitors. Do not subject capacitors to conductive solutions such as acid and alkaline water solutions.

3. Periodic inspection should be performed on the capacitors for the industrial equipment application.

Check the following checkpoints.

- Visual inspection to check for significant defects.
- Electrical performance: leakage current, rated capacitance, tangent of loss angle, ESR, and items specified in the catalog or the specification.

4. Be careful of the following cases of emergency.

- In case of a short during use of capacitors in sets, producing gas, turn off the main power of the set or unplug the power cord from the outlet.
- In case of a short, producing gas, it may take a few seconds to a few minutes depending on the conditions. Therefore, ensure that the protective circuit of the power supply works during this time.
- If the gas gets in your eyes, rinse them immediately. Gargle if the gas is inhaled.

- Do not lick the electrolyte of capacitors. When the electrolyte gets on your skin, wash it off with soap immediately.

5. Storage Conditions.

- Do not store at high temperature and high humidity. Store at a temperature of 5 to 35°C and a relative humidity of less than 75%, keeping free from direct sunlight.
- Solid conductive polymer aluminum electrolytic capacitors are during delivery, stored in airtight moistureproof bags to ensure satisfactory soldering. Once the bag is opened right before mounting, it is better to use up the capacitors. If some are unavoidably left over, return them to the moistureproof bag, and seal the opening hermetically.
- There may have increased leakage current when unused or stored for a long time after mounted on equipment. This phenomenon often occurs at high ambient temperatures; however, leakage current will decrease through voltage treatment. If leakage current still increases after a lapse of more than one year at ambient temperature (shorter time at high temperatures), treat with voltage as needed. In design of equipment, consider the effect of increase in initial current, and install protective circuits as needed.

Please check that recommended voltage treatment conditions are provided for each series.

- Do not store capacitors in an environment directly exposed to water, saltwater spray, oil spill or condensation.
- Do not store capacitors in an environment filled with toxic gas such as hydrogen sulfide, sulfurous acid, nitrous acid, chlorine, ammonia, etc.
- Do not store capacitors in a place exposed to ozone, ultraviolet rays, or radiation.

6. Please take the following actions when disposing of Conductive Polymer Hybrid Aluminum Electrolytic Capacitors, Solid Conductive Polymer Aluminum Electrolytic Capacitors.

- Entrust to specialists of industrial waste treatment for incineration.

7. Others

- Before using capacitors, check the details of the specification and catalog as well as the following.

Technical Report of Japan Electronics and Information Technology Industries Association

EIAJ RCR-2367

Guideline of notabilia for fixed aluminum electrolytic capacitors for use in electronic equipment

Conductive Polymer Hybrid Capacitors

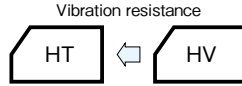
GREEN CAP

SMD

Low ESR

105°C
10000hours

- Low ESR and high ripple current are realized.
- HT is resist to vibration. (30G guaranteed)
- Equivalent to conductive polymer type Aluminum Electrolytic Capacitor. (There are little characteristics change by temperature and frequency)
- Guaranteed 105°C, 10000 hours.



Marking color : Blue print

Specifications

Item	Performance																				
Category temperature range (°C)	-55~+105																				
Tolerance at rated capacitance (%)	±20 (20°C, 120Hz)																				
Leakage current (µA) (max.)	6.3V to 80V : 0.01CV or 3 whichever is larger (after 2 minutes) 100V : 0.05CV or 15 whichever is larger (after 2 minutes), : Rated capacitance (µF) ; V : Rated voltage (V) (20°C)																				
Tangent of loss angle (tanδ)	<table border="1"> <thead> <tr> <th>Rated voltage (V)</th> <th>6.3</th> <th>10</th> <th>16</th> <th>25</th> <th>35</th> <th>50</th> <th>63</th> <th>80</th> <th>100</th> </tr> </thead> <tbody> <tr> <td>tanδ (max.)</td> <td>0.20</td> <td>0.18</td> <td>0.16</td> <td>0.14</td> <td>0.12</td> <td>0.10</td> <td>0.08</td> <td>0.08</td> <td>0.08</td> </tr> </tbody> </table> (20°C, 120Hz)	Rated voltage (V)	6.3	10	16	25	35	50	63	80	100	tanδ (max.)	0.20	0.18	0.16	0.14	0.12	0.10	0.08	0.08	0.08
Rated voltage (V)	6.3	10	16	25	35	50	63	80	100												
tanδ (max.)	0.20	0.18	0.16	0.14	0.12	0.10	0.08	0.08	0.08												
Characteristics at high and low temperature	<table border="1"> <thead> <tr> <th>Impedance ratio (max.)</th> <th>Z-25°C/Z+20°C</th> <th>1.5</th> </tr> </thead> <tbody> <tr> <td></td> <th>Z-55°C/Z+20°C</th> <td>2.0</td> </tr> </tbody> </table> (100kHz)	Impedance ratio (max.)	Z-25°C/Z+20°C	1.5		Z-55°C/Z+20°C	2.0														
Impedance ratio (max.)	Z-25°C/Z+20°C	1.5																			
	Z-55°C/Z+20°C	2.0																			
Endurance (105°C) (Applied ripple current)	<table border="1"> <tbody> <tr> <td>Test time</td> <td>10000 hours</td> </tr> <tr> <td>Leakage current</td> <td>The initial specified value or less</td> </tr> <tr> <td>Percentage of capacitance change</td> <td>Within ±30% of initial value</td> </tr> <tr> <td>Tangent of the loss angle</td> <td>200% or less of the initial specified value</td> </tr> <tr> <td>ESR change</td> <td>200% or less of the initial specified value</td> </tr> </tbody> </table>	Test time	10000 hours	Leakage current	The initial specified value or less	Percentage of capacitance change	Within ±30% of initial value	Tangent of the loss angle	200% or less of the initial specified value	ESR change	200% or less of the initial specified value										
Test time	10000 hours																				
Leakage current	The initial specified value or less																				
Percentage of capacitance change	Within ±30% of initial value																				
Tangent of the loss angle	200% or less of the initial specified value																				
ESR change	200% or less of the initial specified value																				
Shelf life (105°C)	Test time : 1000hours ; other items are same as the endurance. Voltage application treatment : According to JIS C5101-4 4.1.																				

Outline Drawing

Unit : mm

Series HV

Series HT

() : Reference size

φD	L	A	B	C	M	W	P	Casing symbol
5	5.8±0.3	5.3	5.3	2.3	0.4±0.2	0.5 to 0.8	1.5	E61
6.3	5.8±0.3	6.6	6.6	2.7	0.4±0.2	0.5 to 0.8	2.0	F61
6.3	7.7±0.3	6.6	6.6	2.7	0.4±0.2	0.5 to 0.8	2.0	F80
8	8.7±0.3	8.4	8.4	3.0	0.4±0.2	0.5 to 0.8	3.1	G90
8	10±0.5	8.4	8.4	3.0	0.4±0.2	0.7 to 1.1	3.1	G10
10	8.7±0.3	10.4	10.4	3.3	0.4±0.2	0.7 to 1.1	4.7	H90
10	10±0.5	10.4	10.4	3.3	0.4±0.2	0.7 to 1.1	4.7	H10
10	12.5±0.5	10.4	10.4	3.3	0.4±0.2	0.7 to 1.1	4.7	HC5
12.5	13.5±0.5	13.0	13.0	4.9	0.7±0.3	1.0 to 1.4	4.6	IE

φD	L	A	B	C	M	W	P	Casing symbol
6.3	5.8±0.3	6.6	6.6	2.7	0.4±0.2	0.5 to 0.8	2.0	F61
6.3	7.7±0.3	6.6	6.6	2.7	0.4±0.2	0.5 to 0.8	2.0	F80
8	10±0.5	8.4	8.4	3.0	0.4±0.2	0.7 to 1.1	3.1	G10
10	10±0.5	10.4	10.4	3.3	0.4±0.2	0.7 to 1.1	4.7	H10
10	12.5±0.5	10.4	10.4	3.3	0.4±0.2	0.7 to 1.1	4.7	HC5
12.5	13.5±0.5	13.0	13.0	4.9	0.7±0.3	1.0 to 1.4	4.6	IE

□ : Dummy terminal

Refer to individual page (Soldering conditions, Land pattern size, The taping specifications).

Coefficient of Frequency for Rated Ripple Current

Frequency (Hz)	120	1k	10k	100k or more
Rated voltage (V) 6.3 to 100	0.10	0.30	0.60	1

Part numbering system

HV (example : 35V270µF)

HV	—	35	V	271	M	H10	E	—	□
Series code		Rated voltage symbol		Rated capacitance symbol	Capacitance tolerance symbol	Casing symbol			Taping symbol

HT (example : 35V270µF)

HT	—	35	V	271	M	H10	E	—	□
Series code		Rated voltage symbol		Rated capacitance symbol	Capacitance tolerance symbol	Casing symbol			Taping symbol

NOTE : Design, Specifications are subject to change without notice.
It is recommended that you shall obtain technical specifications from ELNA to ensure that the component is suitable for your use.

HV series Standard Ratings

Rated voltage (V) Case φ D × L (mm)	Item	6.3			10			16			25		
		Rated capacitance (μF)	ESR (mΩ max.)	Rated ripple current (mA _{rms})	Rated capacitance (μF)	ESR (mΩ max.)	Rated ripple current (mA _{rms})	Rated capacitance (μF)	ESR (mΩ max.)	Rated ripple current (mA _{rms})	Rated capacitance (μF)	ESR (mΩ max.)	Rated ripple current (mA _{rms})
5×5.8	—	—	—	—	—	—	—	47	80	900	33	80	900
6.3×5.8	220	45	1600	100	45	1600	82	45	1600	56	50	1300	
6.3×7.7	330	24	2300	220	24	2300	150	27	2200	100	30	2000	
8×8.7	—	—	—	—	—	—	—	—	—	—	150	27	2100
8×10	560	22	2500	330	22	2500	270	22	2500	220	27	2300	
10×8.7	—	—	—	—	—	—	—	—	—	—	270	25	2400
10×10	820	18	2600	470	18	2600	470	18	2600	330	20	2500	
10×12.5	—	—	—	—	—	—	—	—	—	—	560	18	3500
12.5×13.5	—	—	—	—	—	—	—	—	—	—	820	15	4000

Rated voltage (V) Case φ D × L (mm)	Item	35			50			63		
		Rated capacitance (μF)	ESR (mΩ max.)	Rated ripple current (mA _{rms})	Rated capacitance (μF)	ESR (mΩ max.)	Rated ripple current (mA _{rms})	Rated capacitance (μF)	ESR (mΩ max.)	Rated ripple current (mA _{rms})
5×5.8	22	100	900	10	120	750	—	—	—	
6.3×5.8	47	60	1300	22	80	1100	10	120	1000	
6.3×7.7	68	35	2000	33	40	1600	22	80	1500	
8×8.7	100	30	2100	47	35	1700	27	50	1600	
8×10	150	27	2300	68	30	1800	33	40	1600	
10×8.7	220	25	2400	82	28	1900	47	35	1700	
10×10	270	20	2500	100	28	2000	56	30	1800	
10×12.5	390	18	3500	150	24	3000	100	26	2500	
12.5×13.5	560	15	4000	330	20	3600	120	22	3000	

Rated voltage (V) Case φ D × L (mm)	Item	80			100		
		Rated capacitance (μF)	ESR (mΩ max.)	Rated ripple current (mA _{rms})	Rated capacitance (μF)	ESR (mΩ max.)	Rated ripple current (mA _{rms})
8×10	22	45	1550	—	—	—	
10×10	33	36	1700	15	45	1600	

(Note) Rated ripple current : 105°C , 100kHz ; ESR : 20°C , 100kHz

HT series Standard Ratings

Rated voltage (V) Case φ D × L (mm)	Item	6.3			10			16			25		
		Rated capacitance (μF)	ESR (mΩ max.)	Rated ripple current (mA _{rms})	Rated capacitance (μF)	ESR (mΩ max.)	Rated ripple current (mA _{rms})	Rated capacitance (μF)	ESR (mΩ max.)	Rated ripple current (mA _{rms})	Rated capacitance (μF)	ESR (mΩ max.)	Rated ripple current (mA _{rms})
6.3×5.8	220	45	1600	100	45	1600	82	45	1600	56	50	1300	
6.3×7.7	330	24	2300	220	24	2300	150	27	2200	100	30	2000	
8×10	560	22	2500	330	22	2500	270	22	2500	220	27	2300	
10×10	820	18	2600	470	18	2600	470	18	2600	330	20	2500	
10×12.5	—	—	—	—	—	—	—	—	—	—	560	18	3500
12.5×13.5	—	—	—	—	—	—	—	—	—	—	820	15	4000

Rated voltage (V) Case φ D × L (mm)	Item	35			50			63		
		Rated capacitance (μF)	ESR (mΩ max.)	Rated ripple current (mA _{rms})	Rated capacitance (μF)	ESR (mΩ max.)	Rated ripple current (mA _{rms})	Rated capacitance (μF)	ESR (mΩ max.)	Rated ripple current (mA _{rms})
6.3×5.8	47	60	1300	22	80	1100	10	120	1000	
6.3×7.7	68	35	2000	33	40	1600	22	80	1500	
8×10	150	27	2300	68	30	1800	33	40	1600	
10×10	270	20	2500	100	28	2000	56	30	1800	
10×12.5	390	18	3500	150	24	3000	100	26	2500	
12.5×13.5	560	15	4000	330	20	3600	120	22	3000	

Rated voltage (V) Case φ D × L (mm)	Item	80			100		
		Rated capacitance (μF)	ESR (mΩ max.)	Rated ripple current (mA _{rms})	Rated capacitance (μF)	ESR (mΩ max.)	Rated ripple current (mA _{rms})
8×10	22	45	1550	—	—	—	
10×10	33	36	1700	15	45	1600	

(Note) Rated ripple current : 105°C , 100kHz ; ESR : 20°C , 100kHz

NOTE : Design, Specifications are subject to change without notice.
It is recommended that you shall obtain technical specifications from ELNA to ensure that the component is suitable for your use.

Conductive Polymer Hybrid Capacitors

GREEN CAP

SMD

Low ESR

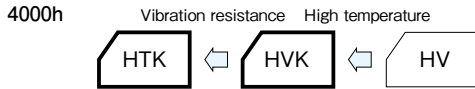
125°C
4000hours

125°C
6000hours

- Low ESR and high ripple current are realized.
- HTK is resist to vibration. (30G guaranteed)
- Equivalent to conductive polymer type Aluminum Electrolytic Capacitor. (There are little characteristics change by temperature and frequency)



Marking color : Blue print



Specifications

Item	Performance																				
Category temperature range (°C)	-55~+125																				
Tolerance at rated capacitance (%)	±20 (20°C, 120Hz)																				
Leakage current (µA) (max.)	6.3V to 80V : 0.01CV or 3 whichever is larger (after 2 minutes) 100V : 0.05CV or 15 whichever is larger (after 2 minutes), : Rated capacitance (µF) ; V : Rated voltage (V) (20°C)																				
Tangent of loss angle (tanδ)	<table border="1"> <thead> <tr> <th>Rated voltage (V)</th> <th>6.3</th> <th>10</th> <th>16</th> <th>25</th> <th>35</th> <th>50</th> <th>63</th> <th>80</th> <th>100</th> </tr> </thead> <tbody> <tr> <td>tanδ (max.)</td> <td>0.20</td> <td>0.18</td> <td>0.16</td> <td>0.14</td> <td>0.12</td> <td>0.10</td> <td>0.08</td> <td>0.08</td> <td>0.08</td> </tr> </tbody> </table> <p>(20°C, 120Hz)</p>	Rated voltage (V)	6.3	10	16	25	35	50	63	80	100	tanδ (max.)	0.20	0.18	0.16	0.14	0.12	0.10	0.08	0.08	0.08
Rated voltage (V)	6.3	10	16	25	35	50	63	80	100												
tanδ (max.)	0.20	0.18	0.16	0.14	0.12	0.10	0.08	0.08	0.08												
Characteristics at high and low temperature	<table border="1"> <thead> <tr> <th>Impedance ratio (max.)</th> <th>Z-25°C/Z+20°C</th> <th>1.5</th> </tr> </thead> <tbody> <tr> <td></td> <th>Z-55°C/Z+20°C</th> <td>2.0</td> </tr> </tbody> </table> <p>(100kHz)</p>	Impedance ratio (max.)	Z-25°C/Z+20°C	1.5		Z-55°C/Z+20°C	2.0														
Impedance ratio (max.)	Z-25°C/Z+20°C	1.5																			
	Z-55°C/Z+20°C	2.0																			
Endurance (125°C) (Applied ripple current)	<table border="1"> <thead> <tr> <th>Test time</th> <th>4000 hours</th> <th>6000 hours (25V~50V : φ6.3 or more)</th> </tr> </thead> <tbody> <tr> <td>Leakage current</td> <td>The initial specified value or less</td> <td>The initial specified value or less</td> </tr> <tr> <td>Percentage of capacitance change</td> <td>Within ±30% of initial value</td> <td>Within ±30% of initial value</td> </tr> <tr> <td>Tangent of the loss angle</td> <td>200% or less of the initial specified value</td> <td>200% or less of the initial specified value</td> </tr> <tr> <td>ESR change</td> <td>200% or less of the initial specified value</td> <td>200% or less of the initial specified value</td> </tr> </tbody> </table>	Test time	4000 hours	6000 hours (25V~50V : φ6.3 or more)	Leakage current	The initial specified value or less	The initial specified value or less	Percentage of capacitance change	Within ±30% of initial value	Within ±30% of initial value	Tangent of the loss angle	200% or less of the initial specified value	200% or less of the initial specified value	ESR change	200% or less of the initial specified value	200% or less of the initial specified value					
Test time	4000 hours	6000 hours (25V~50V : φ6.3 or more)																			
Leakage current	The initial specified value or less	The initial specified value or less																			
Percentage of capacitance change	Within ±30% of initial value	Within ±30% of initial value																			
Tangent of the loss angle	200% or less of the initial specified value	200% or less of the initial specified value																			
ESR change	200% or less of the initial specified value	200% or less of the initial specified value																			
Shelf life (125°C)	Test time : 1000hours ; other items are same as the endurance. Voltage application treatment : According to JIS C5101-4 4.1.																				

Outline Drawing

Unit : mm

Series HVK

φD	L	A	B	C	M	W	P	Casing symbol
5	5.8±0.3	5.3	5.3	2.3	0.4±0.2	0.5 to 0.8	1.5	E61
6.3	5.8±0.3	6.6	6.6	2.7	0.4±0.2	0.5 to 0.8	2.0	F61
6.3	7.7±0.3	6.6	6.6	2.7	0.4±0.2	0.5 to 0.8	2.0	F80
8	8.7±0.3	8.4	8.4	3.0	0.4±0.2	0.5 to 0.8	3.1	G90
8	10±0.5	8.4	8.4	3.0	0.4±0.2	0.7 to 1.1	3.1	G10
10	8.7±0.3	10.4	10.4	3.3	0.4±0.2	0.7 to 1.1	4.7	H90
10	10±0.5	10.4	10.4	3.3	0.4±0.2	0.7 to 1.1	4.7	H10
10	12.5±0.5	10.4	10.4	3.3	0.4±0.2	0.7 to 1.1	4.7	HC5
12.5	13.5±0.5	13.0	13.0	4.9	0.7±0.3	1.0 to 1.4	4.6	IE

Series HTK

φD	L	A	B	C	M	W	P	Casing symbol
6.3	5.8±0.3	6.6	6.6	2.7	0.4±0.2	0.5 to 0.8	2.0	F61
6.3	7.7±0.3	6.6	6.6	2.7	0.4±0.2	0.5 to 0.8	2.0	F80
8	10±0.5	8.4	8.4	3.0	0.4±0.2	0.7 to 1.1	3.1	G10
10	10±0.5	10.4	10.4	3.3	0.4±0.2	0.7 to 1.1	4.7	H10
10	12.5±0.5	10.4	10.4	3.3	0.4±0.2	0.7 to 1.1	4.7	HC5
12.5	13.5±0.5	13.0	13.0	4.9	0.7±0.3	1.0 to 1.4	4.6	IE

Refer to individual page.
(Soldering conditions, Land pattern size, The taping specifications)

Coefficient of Frequency for Rated Ripple Current

Rated voltage (V) \ Frequency (Hz)	120	1k	10k	100k or more
6.3 to 100	0.10	0.30	0.60	1

4000 hours guaranteed: Part numbering system

HVK (example : 16V471µF)

HVK	—	16	V	471	M	H10	E	—	
Series code		Rated voltage symbol		Rated capacitance symbol	Capacitance tolerance symbol	Casing symbol			Taping symbol

HTK (example : 63V56µF)

HTK	—	63	V	560	M	H10	E	—	
Series code		Rated voltage symbol		Rated capacitance symbol	Capacitance tolerance symbol	Casing symbol			Taping symbol

6000 hours guaranteed: Part numbering system

HVK-B (example : 25V100µF)

HVK	—	25	V	101	M	F80	B	—	
Series code		Rated voltage symbol		Rated capacitance symbol	Capacitance tolerance symbol	Casing symbol			Taping symbol

HTK-B (example : 25V100µF)

HTK	—	25	V	101	M	F80	B	—	
Series code		Rated voltage symbol		Rated capacitance symbol	Capacitance tolerance symbol	Casing symbol			Taping symbol

NOTE : Design, Specifications are subject to change without notice.
It is recommended that you shall obtain technical specifications from ELNA to ensure that the component is suitable for your use.

HVK series Standard Ratings (●Marked: 6000 hours guaranteed)

Rated voltage (V) Case φ D × L (mm)	Item	6.3			10			16			25		
		Rated capacitance (μF)	ESR (mΩ max.)	Rated ripple current (mA rms)	Rated capacitance (μF)	ESR (mΩ max.)	Rated ripple current (mA rms)	Rated capacitance (μF)	ESR (mΩ max.)	Rated ripple current (mA rms)	Rated capacitance (μF)	ESR (mΩ max.)	Rated ripple current (mA rms)
5×5.8		—	—	—	—	—	—	47	70	600	33	80	550
6.3×5.8		220	45	950	100	45	950	82	45	950	● 56	50	900
6.3×7.7		330	24	1450	220	24	1450	150	27	1450	● 100	30	1400
8×8.7		—	—	—	—	—	—	—	—	—	● 150	27	1500
8×10		560	22	1700	330	22	1700	270	22	1700	● 220	27	1600
10×8.7		—	—	—	—	—	—	—	—	—	● 270	25	1700
10×10		820	18	2100	470	18	2100	470	18	2100	● 330	20	2000
10×12.5		—	—	—	—	—	—	—	—	—	● 560	18	3000
12.5×13.5		—	—	—	—	—	—	—	—	—	● 820	15	3500

Rated voltage (V) Case φ D × L (mm)	Item	35			50			63		
		Rated capacitance (μF)	ESR (mΩ max.)	Rated ripple current (mA rms)	Rated capacitance (μF)	ESR (mΩ max.)	Rated ripple current (mA rms)	Rated capacitance (μF)	ESR (mΩ max.)	Rated ripple current (mA rms)
5×5.8		22	100	550	10	120	500	—	—	—
6.3×5.8		● 47	60	900	● 22	80	750	10	120	700
6.3×7.7		● 68	35	1400	● 33	40	1100	22	80	900
8×8.7		● 100	30	1500	● 47	35	1200	27	50	1000
8×10		● 150	27	1600	● 68	30	1250	33	40	1100
10×8.7		● 220	25	1700	● 82	28	1400	47	35	1200
10×10		● 270	20	2000	● 100	28	1600	56	30	1400
10×12.5		● 390	18	3000	● 150	24	2500	100	26	2000
12.5×13.5		● 560	15	3500	● 330	20	3000	120	22	2500

Rated voltage (V) Case φ D × L (mm)	Item	80			100		
		Rated capacitance (μF)	ESR (mΩ max.)	Rated ripple current (mA rms)	Rated capacitance (μF)	ESR (mΩ max.)	Rated ripple current (mA rms)
8×10		22	45	1100	—	—	—
10×10		33	36	1200	15	45	1000

(Note) Rated ripple current : 125°C , 100kHz ; ESR : 20°C , 100kHz

HTK series Standard Ratings (●Marked: 6000 hours guaranteed)

Rated voltage (V) Case φ D × L (mm)	Item	6.3			10			16			25		
		Rated capacitance (μF)	ESR (mΩ max.)	Rated ripple current (mA rms)	Rated capacitance (μF)	ESR (mΩ max.)	Rated ripple current (mA rms)	Rated capacitance (μF)	ESR (mΩ max.)	Rated ripple current (mA rms)	Rated capacitance (μF)	ESR (mΩ max.)	Rated ripple current (mA rms)
6.3×5.8		220	45	950	100	45	950	82	45	950	● 56	50	900
6.3×7.7		330	24	1450	220	24	1450	150	27	1450	● 100	30	1400
8×10		560	22	1700	330	22	1700	270	22	1700	● 220	27	1600
10×10		820	18	2100	470	18	2100	470	18	2100	● 330	20	2000
10×12.5		—	—	—	—	—	—	—	—	—	● 560	18	3000
12.5×13.5		—	—	—	—	—	—	—	—	—	● 820	15	3500

Rated voltage (V) Case φ D × L (mm)	Item	35			50			63		
		Rated capacitance (μF)	ESR (mΩ max.)	Rated ripple current (mA rms)	Rated capacitance (μF)	ESR (mΩ max.)	Rated ripple current (mA rms)	Rated capacitance (μF)	ESR (mΩ max.)	Rated ripple current (mA rms)
6.3×5.8		● 47	60	900	● 22	80	750	10	120	700
6.3×7.7		● 68	35	1400	● 33	40	1100	22	80	900
8×10		● 150	27	1600	● 68	30	1250	33	40	1100
10×10		● 270	20	2000	● 100	28	1600	56	30	1400
10×12.5		● 390	18	3000	● 150	24	2500	100	26	2000
12.5×13.5		● 560	15	3500	● 330	20	3000	120	22	2500

Rated voltage (V) Case φ D × L (mm)	Item	80			100		
		Rated capacitance (μF)	ESR (mΩ max.)	Rated ripple current (mA rms)	Rated capacitance (μF)	ESR (mΩ max.)	Rated ripple current (mA rms)
8×10		22	45	1100	—	—	—
10×10		33	36	1200	15	45	1000

(Note) Rated ripple current : 125°C , 100kHz ; ESR : 20°C , 100kHz

NOTE : Design, Specifications are subject to change without notice.
It is recommended that you shall obtain technical specifications from ELNA to ensure that the component is suitable for your use.

Conductive Polymer Hybrid Capacitors

GREEN CAP

SMD

Low ESR

135°C
4000hours

- Low ESR and high ripple current are realized.
- HTX is resist to vibration. (30G guaranteed)
- Equivalent to conductive polymer type Aluminum Electrolytic Capacitor. (There are little characteristics change by temperature and frequency)
- Guaranteed 135°C, 4000 hours.(φ 6.3: 2000 hours)



Marking color : Blue print



Specifications

Item	Performance												
Category temperature range (°C)	-55~+135												
Tolerance at rated capacitance (%)	±20 (20°C, 120Hz)												
Leakage current (μA) (max.)	0.01CV or 3 whichever is larger (after 2 minutes) C : Rated capacitance (μF) , V : Rated voltage (V) (20°C)												
Tangent of loss angle (tanδ)	<table border="1"> <tr> <td>Rated voltage (V)</td> <td>16</td> <td>25</td> <td>35</td> <td>50</td> <td>63</td> </tr> <tr> <td>tanδ (max.)</td> <td>0.16</td> <td>0.14</td> <td>0.12</td> <td>0.10</td> <td>0.08</td> </tr> </table> (20°C, 120Hz)	Rated voltage (V)	16	25	35	50	63	tanδ (max.)	0.16	0.14	0.12	0.10	0.08
Rated voltage (V)	16	25	35	50	63								
tanδ (max.)	0.16	0.14	0.12	0.10	0.08								
Characteristics at high and low temperature	<table border="1"> <tr> <td>Impedance ratio (max.)</td> <td>Z-25°C/Z+20°C</td> <td>1.5</td> </tr> <tr> <td></td> <td>Z-55°C/Z+20°C</td> <td>2.0</td> </tr> </table> (100kHz)	Impedance ratio (max.)	Z-25°C/Z+20°C	1.5		Z-55°C/Z+20°C	2.0						
Impedance ratio (max.)	Z-25°C/Z+20°C	1.5											
	Z-55°C/Z+20°C	2.0											
Endurance (135°C) (Applied ripple current)	<table border="1"> <tr> <td>Test time</td> <td>4000 hours(φ6.3: 2000 hours)</td> </tr> <tr> <td>Leakage current</td> <td>The initial specified value or less</td> </tr> <tr> <td>Percentage of capacitance change</td> <td>Within ±30% of initial value</td> </tr> <tr> <td>Tangent of the loss angle</td> <td>200% or less of the initial specified value</td> </tr> <tr> <td>ESR change</td> <td>200% or less of the initial specified value</td> </tr> </table>	Test time	4000 hours(φ6.3: 2000 hours)	Leakage current	The initial specified value or less	Percentage of capacitance change	Within ±30% of initial value	Tangent of the loss angle	200% or less of the initial specified value	ESR change	200% or less of the initial specified value		
Test time	4000 hours(φ6.3: 2000 hours)												
Leakage current	The initial specified value or less												
Percentage of capacitance change	Within ±30% of initial value												
Tangent of the loss angle	200% or less of the initial specified value												
ESR change	200% or less of the initial specified value												
Shelf life (135°C)	Test time : 1000hours ; other items are same as the endurance. Voltage application treatment : According to JIS C5101-4 4.1.												

Outline Drawing

Unit : mm

Series HVX

φD	L	A	B	C	W	P	Casing symbol
6.3	5.8±0.3	6.6	6.6	2.7	0.5 to 0.8	2.0	F61
6.3	7.7±0.3	6.6	6.6	2.7	0.5 to 0.8	2.0	F80
8	10±0.5	8.4	8.4	3.0	0.7 to 1.1	3.1	G10
10	10±0.5	10.4	10.4	3.3	0.7 to 1.1	4.7	H10
10	12.5±0.5	10.4	10.4	3.3	0.7 to 1.1	4.7	HC5

(●Marked:2000 hours guaranteed)

Series HTX

φD	L	A	B	C	W	P	Casing symbol
6.3	5.8±0.3	6.6	6.6	2.7	0.5 to 0.8	2.0	F61
6.3	7.7±0.3	6.6	6.6	2.7	0.5 to 0.8	2.0	F80
8	10±0.5	8.4	8.4	3.0	0.7 to 1.1	3.1	G10
10	10±0.5	10.4	10.4	3.3	0.7 to 1.1	4.7	H10
10	12.5±0.5	10.4	10.4	3.3	0.7 to 1.1	4.7	HC5

□ : Dummy terminal

Refer to individual page (Soldering conditions, Land pattern size, The taping specifications).

Coefficient of Frequency for Rated Ripple Current

Frequency (Hz)	120	1k	10k	100k or more
Rated voltage (V) 16 to 63	0.10	0.30	0.60	1

Part numbering system

HVX (example : 16V270μF)

HVX	—	16	V	271	M	G10	—	□
Series code		Rated voltage symbol		Rated capacitance symbol	Capacitance tolerance symbol	Casing symbol		Taping symbol

HTX (example : 16V270μF)

HTX	—	16	V	271	M	G10	—	□
Series code		Rated voltage symbol		Rated capacitance symbol	Capacitance tolerance symbol	Casing symbol		Taping symbol

NOTE : Design, Specifications are subject to change without notice.
It is recommended that you shall obtain technical specifications from ELNA to ensure that the component is suitable for your use.

Standard Ratings (●Marked: 2000 hours guaranteed)

Rated voltage (V) Rated capacitance (μF)	Item	16			25			35			50		
		Case φD×L (mm)	ESR (mΩ max.)	Rated ripple current (mA rms)	Case φD×L (mm)	ESR (mΩ max.)	Rated ripple current (mA rms)	Case φD×L (mm)	ESR (mΩ max.)	Rated ripple current (mA rms)	Case φD×L (mm)	ESR (mΩ max.)	Rated ripple current (mA rms)
22	—	—	—	—	—	—	—	—	—	—	● 6.3×5.8	80	750
33	—	—	—	—	—	—	—	—	—	—	● 6.3×7.7	40	1100
47	—	—	—	—	—	—	—	● 6.3×5.8	60	900	—	—	—
56	—	—	—	—	● 6.3×5.8	50	900	—	—	—	—	—	—
68	—	—	—	—	—	—	—	● 6.3×7.7	35	1400	8×10	30	1250
82	● 6.3×5.8	45	950	—	—	—	—	—	—	—	—	—	—
100	—	—	—	—	● 6.3×7.7	30	1400	—	—	—	10×10	28	1600
150	● 6.3×7.7	27	1450	—	—	—	—	8×10	27	1600	10×12.5	24	2500
220	—	—	—	8×10	22	1600	—	—	—	—	—	—	—
270	—	8×10	20	1700	—	—	—	10×10	22	2000	—	—	—
330	—	—	—	—	10×10	20	2000	—	—	—	—	—	—
390	—	—	—	—	—	—	—	10×12.5	18	3000	—	—	—
470	—	10×10	18	2100	—	—	—	—	—	—	—	—	—
560	—	—	—	—	10×12.5	18	3000	—	—	—	—	—	—

Rated voltage (V) Rated capacitance (μF)	Item	63		
		Case φD×L (mm)	ESR (mΩ max.)	Rated ripple current (mA rms)
10	● 6.3×5.8	120	700	
22	● 6.3×7.7	80	900	
33	8×10	40	1100	
56	10×10	30	1400	
100	10×12.5	26	2000	

(Note) Rated ripple current : 135°C , 100kHz ; ESR : 20°C , 100kHz

Conductive Polymer Hybrid Capacitors

GREEN CAP

SMD

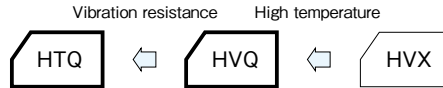
Low ESR

150°C
1000hours

- Low ESR and high ripple current are realized.
- HTQ is resist to vibration. (30G guaranteed)
- Equivalent to conductive polymer type Aluminum Electrolytic Capacitor. (There are little characteristics change by temperature and frequency)
- Guaranteed 150° C, 1000 hours.



Marking color : Blue print

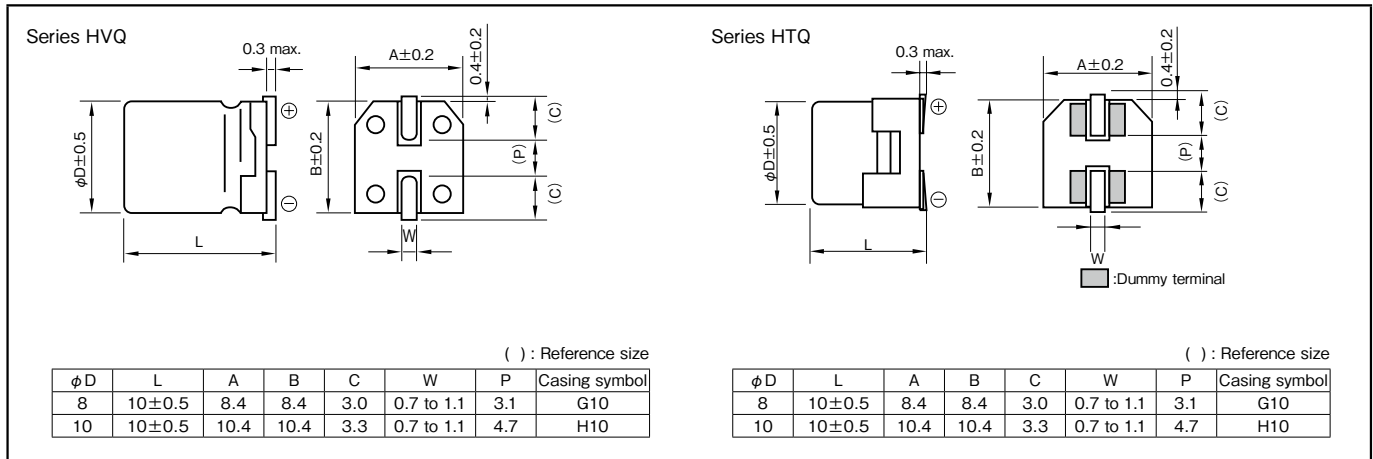


Specifications

Item	Performance					
Category temperature range (°C)	-55 to +150					
Tolerance at rated capacitance (%)	±20 (20°C, 120Hz)					
Leakage current (µA) (max.)	0.01CV or 3 whichever is larger (after 2 minutes) C : Rated capacitance (µF) ; V : Rated voltage (V) (20°C)					
Tangent of loss angle (tan δ)	Rated voltage (V)	16	25	35	50	63
	tan δ (max.)	0.16	0.14	0.12	0.10	0.08
Characteristics at high and low temperature	Impedance ratio (max.)	Z-25°C/Z+20°C	1.5			(100Hz)
		Z-55°C/Z+20°C	2.0			
Endurance (150°C) (Applied ripple current)	Test time	1000 hours				
	Leakage current	The initial specified value or less				
	Percentage of capacitance change	Within ±30% of initial value				
	Tangent of the loss angle	200% or less of the initial specified value				
	ESR change	200% or less of the initial specified value				
Shelf life (150°C)	Test time : 1000hours ; other items are same as the endurance. Voltage application treatment : According to JIS C5101-4 4.1.					

Outline Drawing

Unit : mm



Refer to individual page. (Soldering conditions, Land pattern size, The taping specifications)

Coefficient of Frequency for Rated Ripple Current

Frequency (Hz)	120	1k	10k	100k or more
Rated voltage (V)				
16 to 63	0.10	0.30	0.60	1

Part numbering system

HVQ (example : 16V270µF)

HVQ	—	16	V	271	M	G10	—	
Series code		Rated voltage symbol		Rated capacitance symbol	Capacitance tolerance symbol	Casing symbol		Taping symbol

HTQ (example : 16V270µF)

HTQ	—	16	V	271	M	G10	—	
Series code		Rated voltage symbol		Rated capacitance symbol	Capacitance tolerance symbol	Casing symbol		Taping symbol

NOTE : Design, Specifications are subject to change without notice.
It is recommended that you shall obtain technical specifications from ELNA to ensure that the component is suitable for your use.

Standard Ratings

Rated voltage (V) \ Rated capacitance (μF)	Item	16			25			35			50		
		Case φD×L (mm)	ESR (mΩ max.)	Rated ripple current (mA rms)	Case φD×L (mm)	ESR (mΩ max.)	Rated ripple current (mA rms)	Case φD×L (mm)	ESR (mΩ max.)	Rated ripple current (mA rms)	Case φD×L (mm)	ESR (mΩ max.)	Rated ripple current (mA rms)
68	—	—	—	—	—	—	—	—	—	8×10	30	660	
100	—	—	—	—	—	—	—	—	—	10×10	28	800	
150	—	—	—	—	—	—	—	—	—	—	—	—	
220	—	—	—	8×10	22	740	—	—	—	—	—	—	
270	8×10	20	740	—	—	—	10×10	20	830	—	—	—	
330	—	—	—	10×10	20	850	—	—	—	—	—	—	
470	10×10	18	850	—	—	—	—	—	—	—	—	—	

Rated voltage (V) \ Rated capacitance (μF)	Item	63		
		Case φD×L (mm)	ESR (mΩ max.)	Rated ripple current (mA rms)
33	8×10	30	610	
56	10×10	28	710	

(Note) Rated ripple current : 150°C , 100kHz ; ESR : 20°C , 100kHz

Hybrid Capacitors radial lead type

GREEN CAP

Low ESR

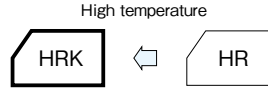
105°C
10000hours

125°C
6000hours

- Low ESR and high ripple current are realized.
- Equivalent to conductive polymer type Aluminum Electrolytic Capacitor.
- HR series : Guaranteed 105°C, 10000 hours.
- HRK series: Guaranteed 125°C, 6000 hours (4000 hours: 63V or more).



Marking color : Blue print

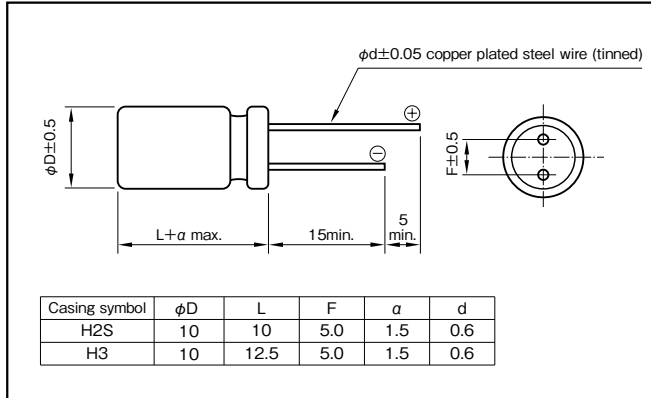


Specifications

Item	Performance																		
Category temperature range (°C)	HR series : - 55 to +105 HRK series: - 55 to +125																		
Tolerance at rated capacitance (%)	±20 (20°C, 120Hz)																		
Leakage current (µA) (max.)	25V to 80V: 0.01CV or 3 whichever is larger (after 2 minutes) 100V : 0.05CV or 15 whichever is larger (after 2 minutes), : Rated capacitance (µF) ; V : Rated voltage (V) (20°C)																		
Tangent of loss angle (tanδ)	<table border="1"> <thead> <tr> <th>Rated voltage (V)</th> <th>25</th> <th>35</th> <th>50</th> <th>63</th> <th>80</th> <th>100</th> </tr> </thead> <tbody> <tr> <td>tanδ (max.)</td> <td>0.14</td> <td>0.12</td> <td>0.10</td> <td>0.08</td> <td>0.08</td> <td>0.08</td> </tr> </tbody> </table> <p>(20°C, 120Hz)</p>	Rated voltage (V)	25	35	50	63	80	100	tanδ (max.)	0.14	0.12	0.10	0.08	0.08	0.08				
Rated voltage (V)	25	35	50	63	80	100													
tanδ (max.)	0.14	0.12	0.10	0.08	0.08	0.08													
Characteristics at high and low temperature	<table border="1"> <thead> <tr> <th>Impedance ratio (max.)</th> <th>Z-25°C/Z+20°C</th> <th>Z-55°C/Z+20°C</th> </tr> </thead> <tbody> <tr> <td></td> <td>1.5</td> <td>2.0</td> </tr> </tbody> </table> <p>(100kHz)</p>	Impedance ratio (max.)	Z-25°C/Z+20°C	Z-55°C/Z+20°C		1.5	2.0												
Impedance ratio (max.)	Z-25°C/Z+20°C	Z-55°C/Z+20°C																	
	1.5	2.0																	
Endurance (Applied ripple current)	<table border="1"> <thead> <tr> <th></th> <th>HR series</th> <th>HRK series</th> </tr> </thead> <tbody> <tr> <td>Test temperature and time</td> <td>105°C, 10000 hours</td> <td>125°C, 6000 hours (63V or more: 4000 hours)</td> </tr> <tr> <td>Leakage current</td> <td>The initial specified value or less</td> <td>The initial specified value or less</td> </tr> <tr> <td>Percentage of capacitance change</td> <td>Within ±30% of initial value</td> <td>Within ±30% of initial value</td> </tr> <tr> <td>Tangent of the loss angle</td> <td>200% or less of the initial specified value</td> <td>200% or less of the initial specified value</td> </tr> <tr> <td>ESR change</td> <td>200% or less of the initial specified value</td> <td>200% or less of the initial specified value</td> </tr> </tbody> </table>		HR series	HRK series	Test temperature and time	105°C, 10000 hours	125°C, 6000 hours (63V or more: 4000 hours)	Leakage current	The initial specified value or less	The initial specified value or less	Percentage of capacitance change	Within ±30% of initial value	Within ±30% of initial value	Tangent of the loss angle	200% or less of the initial specified value	200% or less of the initial specified value	ESR change	200% or less of the initial specified value	200% or less of the initial specified value
	HR series	HRK series																	
Test temperature and time	105°C, 10000 hours	125°C, 6000 hours (63V or more: 4000 hours)																	
Leakage current	The initial specified value or less	The initial specified value or less																	
Percentage of capacitance change	Within ±30% of initial value	Within ±30% of initial value																	
Tangent of the loss angle	200% or less of the initial specified value	200% or less of the initial specified value																	
ESR change	200% or less of the initial specified value	200% or less of the initial specified value																	
Shelf life	Test time and temperature : 1000hours (HR series 105°C), 1000hours (HRK series 125°C) Voltage application treatment : According to JIS C5101-4 4.1.																		

Outline Drawing

Unit : mm



Coefficient of Frequency for Rated Ripple Current

Frequency (Hz)	120	1k	10k	100k
Rated voltage (V)	120	1k	10k	100k
25 to 100	0.10	0.30	0.60	1

Part numbering system

10000hours guaranteed: HR series (example : 35V270µF)

HR	—	35	V	271	M	H2S	E	—	□
Series code		Rated voltage symbol		Rated capacitance symbol	Capacitance tolerance symbol	Casing symbol			Taping(Forming) symbol

4000hours guaranteed: HRK series (example : 63V56µF)

HRK	—	63	V	560	M	H2S	E	—	□
Series code		Rated voltage symbol		Rated capacitance symbol	Capacitance tolerance symbol	Casing symbol			Taping(Forming) symbol

6000hours guaranteed: HRK-B series (example : 35V270µF)

HRK	—	35	V	271	M	H2S	B	—	□
Series code		Rated voltage symbol		Rated capacitance symbol	Capacitance tolerance symbol	Casing symbol			Taping(Forming) symbol

HR series: Standard Ratings

Rated voltage (V) Rated capacitance (μF)	Item	25			35			50			63		
		Case φD×L (mm)	ESR (mΩ max.)	Rated ripple current (mA _{rms})	Case φD×L (mm)	ESR (mΩ max.)	Rated ripple current (mA _{rms})	Case φD×L (mm)	ESR (mΩ max.)	Rated ripple current (mA _{rms})	Case φD×L (mm)	ESR (mΩ max.)	Rated ripple current (mA _{rms})
56	—	—	—	—	—	—	—	—	—	—	10×10	30	1800
100	—	—	—	—	—	—	10×10	28	2000	10×12.5	26	2500	
150	—	—	—	—	—	—	10×12.5	24	3000	—	—	—	
270	—	—	—	10×10	20	2500	—	—	—	—	—	—	
330	10×10	20	2500	—	—	—	—	—	—	—	—	—	
390	—	—	—	10×12.5	18	3500	—	—	—	—	—	—	
560	10×12.5	18	3500	—	—	—	—	—	—	—	—	—	

Rated voltage (V) Rated capacitance (μF)	Item	80			100		
		Case φD×L (mm)	ESR (mΩ max.)	Rated ripple current (mA _{rms})	Case φD×L (mm)	ESR (mΩ max.)	Rated ripple current (mA _{rms})
15	—	—	—	—	10×10	45	1600
33	10×10	36	1700	—	—	—	

(Note) Rated ripple current : 105°C , 100kHz ; ESR : 20°C , 100kHz

HRK series: Standard Ratings (●Marked: 6000 hours guaranteed)

Rated voltage (V) Rated capacitance (μF)	Item	25			35			50			63		
		Case φD×L (mm)	ESR (mΩ max.)	Rated ripple current (mA _{rms})	Case φD×L (mm)	ESR (mΩ max.)	Rated ripple current (mA _{rms})	Case φD×L (mm)	ESR (mΩ max.)	Rated ripple current (mA _{rms})	Case φD×L (mm)	ESR (mΩ max.)	Rated ripple current (mA _{rms})
56	—	—	—	—	—	—	—	—	—	—	10×10	30	1400
100	—	—	—	—	—	—	● 10×10	28	1600	10×12.5	26	2000	
150	—	—	—	—	—	—	● 10×12.5	24	2500	—	—	—	
270	—	—	—	● 10×10	20	2000	—	—	—	—	—	—	
330	● 10×10	20	2000	—	—	—	—	—	—	—	—	—	
390	—	—	—	● 10×12.5	18	3000	—	—	—	—	—	—	
560	● 10×12.5	18	3000	—	—	—	—	—	—	—	—	—	

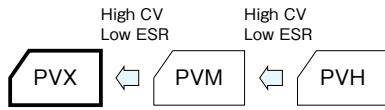
Rated voltage (V) Rated capacitance (μF)	Item	80			100		
		Case φD×L (mm)	ESR (mΩ max.)	Rated ripple current (mA _{rms})	Case φD×L (mm)	ESR (mΩ max.)	Rated ripple current (mA _{rms})
15	—	—	—	—	10×10	45	1000
33	10×10	36	1200	—	—	—	

(Note) Rated ripple current : 125°C , 100kHz ; ESR : 20°C , 100kHz

Chip Type

- GREEN CAP
- SMD
- Low ESR
- 105°C 2000hours
- Anti-cleaning solvent

- Super low ESR and high ripple current are realized.
- Guaranteed 105°C, 2000 hours.



Marking color : Blue print

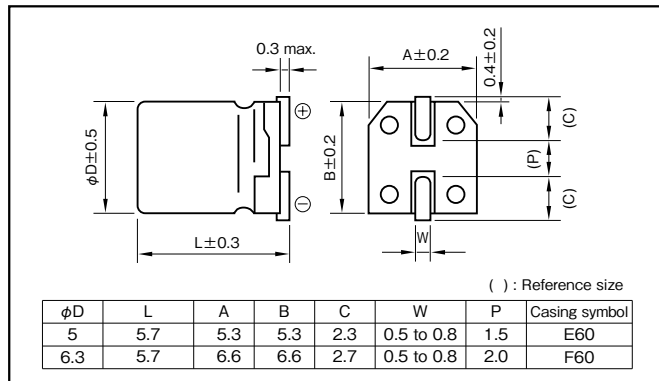
Specifications

Item	Performance										
Category temperature range (°C)	-55 to +105										
Tolerance at rated capacitance (%)	±20 (20°C, 120Hz)										
Leakage current (µA) (max.) *Note	0.2CV (after 2 minutes) C : Rated capacitance (µF) ; V : Rated voltage (V) (20°C)										
Tangent of the loss angle (tanδ)	0.12 or less (20°C, 120Hz)										
Characteristics at high and low temperature	<table border="1"> <tr> <td rowspan="2">Impedance ratio (max.)</td> <td>Z-25°C/Z+20°C</td> <td>1.15</td> </tr> <tr> <td>Z-55°C/Z+20°C</td> <td>1.25</td> </tr> </table> <p style="text-align: right;">(100kHz)</p>	Impedance ratio (max.)	Z-25°C/Z+20°C	1.15	Z-55°C/Z+20°C	1.25					
Impedance ratio (max.)	Z-25°C/Z+20°C		1.15								
	Z-55°C/Z+20°C	1.25									
Endurance (105°C) (Applied ripple current)	<table border="1"> <tr> <td>Test time</td> <td>2000 hours</td> </tr> <tr> <td>Leakage current</td> <td>The initial specified value or less</td> </tr> <tr> <td>Percentage of capacitance change</td> <td>Within ±20% of initial value</td> </tr> <tr> <td>Tangent of the loss angle</td> <td>150% or less of the initial specified value</td> </tr> <tr> <td>ESR change</td> <td>150% or less of the initial specified value</td> </tr> </table>	Test time	2000 hours	Leakage current	The initial specified value or less	Percentage of capacitance change	Within ±20% of initial value	Tangent of the loss angle	150% or less of the initial specified value	ESR change	150% or less of the initial specified value
Test time	2000 hours										
Leakage current	The initial specified value or less										
Percentage of capacitance change	Within ±20% of initial value										
Tangent of the loss angle	150% or less of the initial specified value										
ESR change	150% or less of the initial specified value										
Bias Humidity 60°C, 90 to 95%RH	<table border="1"> <tr> <td>Test time</td> <td>500 hours</td> </tr> <tr> <td>Leakage current</td> <td>The initial specified value or less</td> </tr> <tr> <td>Percentage of capacitance change</td> <td>Within ±20% of initial value</td> </tr> <tr> <td>Tangent of the loss angle</td> <td>150% or less of the initial specified value</td> </tr> <tr> <td>ESR change</td> <td>150% or less of the initial specified value</td> </tr> </table>	Test time	500 hours	Leakage current	The initial specified value or less	Percentage of capacitance change	Within ±20% of initial value	Tangent of the loss angle	150% or less of the initial specified value	ESR change	150% or less of the initial specified value
Test time	500 hours										
Leakage current	The initial specified value or less										
Percentage of capacitance change	Within ±20% of initial value										
Tangent of the loss angle	150% or less of the initial specified value										
ESR change	150% or less of the initial specified value										
Characteristics of applied surge voltage	<p>The capacitors shall be subject to 1000 cycles each consisting of charge with the surge voltage specified at 105°C for 30 seconds through a protective resistor (Rc=1kΩ) in 6 minutes per cycle. Surge voltage : 1.15 times of rated voltage</p> <table border="1"> <tr> <td>Leakage current</td> <td>The initial specified value or less</td> </tr> <tr> <td>Percentage of capacitance change</td> <td>Within ±20% of initial value</td> </tr> <tr> <td>Tangent of the loss angle</td> <td>150% or less of the initial specified value</td> </tr> <tr> <td>ESR change</td> <td>150% or less of the initial specified value</td> </tr> </table>	Leakage current	The initial specified value or less	Percentage of capacitance change	Within ±20% of initial value	Tangent of the loss angle	150% or less of the initial specified value	ESR change	150% or less of the initial specified value		
Leakage current	The initial specified value or less										
Percentage of capacitance change	Within ±20% of initial value										
Tangent of the loss angle	150% or less of the initial specified value										
ESR change	150% or less of the initial specified value										
Failure rate	0.5% per 1000 hours maximum (Confidence level 60% at 105°C)										

*Note : If any doubt arises, measure the leakage current after following voltage application treatment.
Voltage application treatment : DC rated voltage are applied to the capacitors for 120 minutes at 105°C.

Outline Drawing

Unit : mm



Refer to individual page.
(Soldering conditions, Land pattern size, The taping specifications)

Part numbering system (example : 4V151M E60 E)					
PVX	—	4	V	151	M E60 E
Series code		Rated voltage symbol		Rated capacitance symbol	Capacitance tolerance symbol Casing symbol Taping symbol

Standard Ratings

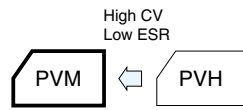
Rated voltage (V) Rated capacitance (μF)	Item	2.5			4			6.3			10		
		Case φD×L (mm)	ESR (mΩ max.)	Rated ripple current (mArms)	Case φD×L (mm)	ESR (mΩ max.)	Rated ripple current (mArms)	Case φD×L (mm)	ESR (mΩ max.)	Rated ripple current (mArms)	Case φD×L (mm)	ESR (mΩ max.)	Rated ripple current (mArms)
100	—	—	—	—	—	—	5×5.7	15	3100	5×5.7	15	3100	
120	—	—	—	—	—	—	—	—	—	6.3×5.7	13	3300	
150	5×5.7	10	3800	5×5.7	10	3800	5×5.7	15	3100	—	—	—	
220	5×5.7	10	3800	5×5.7	10	3800	6.3×5.7	9	4000	—	—	—	
270	5×5.7	10	3800	—	—	—	—	—	—	—	—	—	
330	6.3×5.7	9	4000	6.3×5.7	9	4000	—	—	—	—	—	—	
390	6.3×5.7	9	4000	—	—	—	—	—	—	—	—	—	

(Note) Rated ripple current : 105°C, 100kHz ; ESR : 20°C, 100kHz

Chip Type

- GREEN CAP
- SMD
- Low ESR
- 105°C
2000hours
- Anti-cleaning solvent

- Super low ESR and high ripple current are realized.
- Guaranteed 105°C, 2000 hours.



Marking color : Blue print

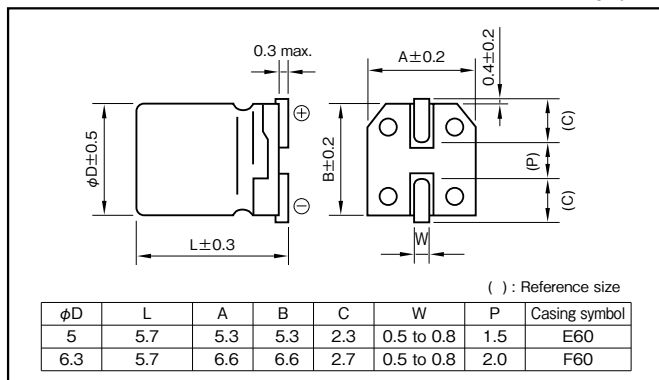
Specifications

Item	Performance	
Category temperature range (°C)	-55 to +105	
Tolerance at rated capacitance (%)	±20 (20°C,120Hz)	
Leakage current (µA) (max.) *Note	0.2CV (after 2 minutes) C : Rated capacitance (µF) , V : Rated voltage (V) (20°C)	
Tangent of the loss angle (tanδ)	0.12 or less (20°C,120Hz)	
Characteristics at high and low temperature	Impedance ratio (max.)	Z-25°C/Z+20°C 1.15
		Z-55°C/Z+20°C 1.25 (100kHz)
Endurance (105°C) (Applied ripple current)	Test time	2000 hours
	Leakage current	The initial specified value or less
	Percentage of capacitance change	Within ±20% of initial value
	Tangent of the loss angle	150% or less of the initial specified value
	ESR change	150% or less of the initial specified value
Bias Humidity 60°C, 90 to 95%RH	Test time	500 hours
	Leakage current	The initial specified value or less
	Percentage of capacitance change	Within ±20% of initial value
	Tangent of the loss angle	150% or less of the initial specified value
	ESR change	150% or less of the initial specified value
Characteristics of applied surge voltage	The capacitors shall be subject to 1000 cycles each consisting of charge with the surge voltage specified at 105°C for 30 seconds through a protective resistor (Rc=1kΩ) in 6 minutes per cycle. Surge voltage : 1.15 times of rated voltage	
	Leakage current	The initial specified value or less
	Percentage of capacitance change	Within ±20% of initial value
	Tangent of the loss angle	150% or less of the initial specified value
	ESR change	150% or less of the initial specified value
Failure rate	0.5% per 1000 hours maximum (Confidence level 60% at 105°C)	

*Note : If any doubt arises, measure the leakage current after following voltage application treatment.
Voltage application treatment : DC rated voltage are applied to the capacitors for 120 minutes at 105°C.

Outline Drawing

Unit : mm



Refer to individual page.
(Soldering conditions, Land pattern size, The taping specifications)

Part numbering system (example : 4V151M E60 E)

PVM	—	4	V	151	M	E60	E	—	□
Series code		Rated voltage symbol		Rated capacitance symbol	Capacitance tolerance symbol	Casing symbol			Taping symbol

Standard Ratings

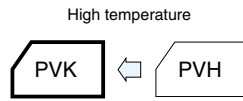
Rated voltage (V) Rated capacitance (μF)	Item	2.5			4			6.3			10			16		
		Case φD×L (mm)	ESR (mΩ max.)	Rated ripple current (mA rms)	Case φD×L (mm)	ESR (mΩ max.)	Rated ripple current (mA rms)	Case φD×L (mm)	ESR (mΩ max.)	Rated ripple current (mA rms)	Case φD×L (mm)	ESR (mΩ max.)	Rated ripple current (mA rms)	Case φD×L (mm)	ESR (mΩ max.)	Rated ripple current (mA rms)
33	—	—	—	—	—	—	—	—	—	—	—	—	—	—	—	—
39	—	—	—	—	—	—	—	—	—	—	—	—	—	—	—	—
47	—	—	—	—	—	—	—	—	—	—	—	—	—	—	—	—
56	—	—	—	—	—	—	—	—	—	—	—	—	—	—	—	—
68	—	—	—	—	—	—	—	—	—	—	—	—	—	—	—	—
100	—	—	—	5×5.7	22	2610	5×5.7	24	2500	6.3×5.7	25	2530	—	—	—	—
120	—	—	—	—	—	—	5×5.7	24	2500	6.3×5.7	25	2530	—	—	—	—
150	—	—	—	5×5.7	22	2610	—	—	—	—	—	—	—	—	—	—
180	5×5.7	21	2670	—	—	—	—	—	—	—	—	—	—	—	—	—
220	5×5.7	21	2670	5×5.7	22	2610	6.3×5.7	15	3160	—	—	—	—	—	—	—
270	—	—	—	6.3×5.7	15	3160	—	—	—	—	—	—	—	—	—	—
330	6.3×5.7	15	3160	6.3×5.7	15	3160	—	—	—	—	—	—	—	—	—	—
390	6.3×5.7	15	3160	—	—	—	—	—	—	—	—	—	—	—	—	—

(Note) Rated ripple current : 105°C, 100kHz ; ESR : 20°C, 100kHz

Chip Type

- GREEN CAP
- SMD
- Low ESR
- 125°C
1000hours
- Anti-cleaning solvent

- Super low ESR and high ripple current are realized.
- Guaranteed 125°C, 1000 hours.



Marking color : Blue print

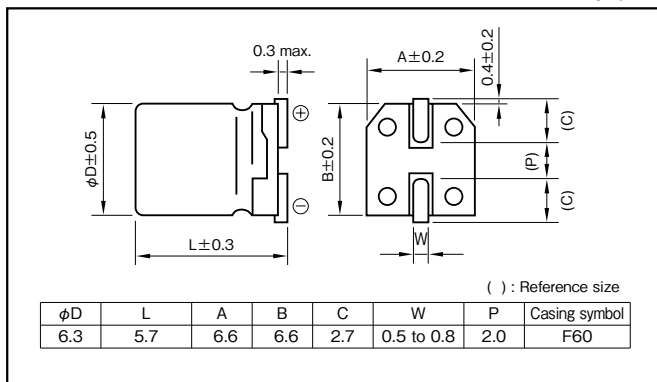
Specifications

Item	Performance	
Category temperature range (°C)	-55 to +125	
Tolerance at rated capacitance (%)	±20 (20°C, 120Hz)	
Leakage current (µA) (max.) *Note	0.2CV (after 2 minutes) C : Rated capacitance (µF), V : Rated voltage (V) (20°C)	
Tangent of the loss angle (tanδ)	0.12 or less (20°C, 120Hz)	
Characteristics at high and low temperature	Impedance ratio (max.)	Z-25°C/Z+20°C 1.15
		Z-55°C/Z+20°C 1.25 (100kHz)
Endurance (125°C) (Applied ripple current)	Test time	1000 hours
	Leakage current	The initial specified value or less
	Percentage of capacitance change	Within ±20% of initial value
	Tangent of the loss angle	150% or less of the initial specified value
	ESR change	150% or less of the initial specified value
Bias Humidity 60°C, 90 to 95%RH	Test time	500 hours
	Leakage current	The initial specified value or less
	Percentage of capacitance change	Within ±20% of initial value
	Tangent of the loss angle	150% or less of the initial specified value
	ESR change	150% or less of the initial specified value
Characteristics of applied surge voltage	The capacitors shall be subject to 1000 cycles each consisting of charge with the surge voltage specified at 125°C for 30 seconds through a protective resistor (Rc=1kΩ) in 6 minutes per cycle. Surge voltage : 1.15 times of rated voltage	
	Leakage current	The initial specified value or less
	Percentage of capacitance change	Within ±20% of initial value
	Tangent of the loss angle	150% or less of the initial specified value
	ESR change	150% or less of the initial specified value
Failure rate	0.5% per 1000 hours maximum (Confidence level 60% at 125°C)	

*Note : If any doubt arises, measure the leakage current after following voltage application treatment.
Voltage application treatment : DC rated voltage are applied to the capacitors for 120 minutes at 125°C.

Outline Drawing

Unit : mm



Refer to individual page.
(Soldering conditions, Land pattern size, The taping specifications)

Part numbering system (example : 4V151M F60 E)

PVK	—	4	V	151	M	F60	E	—	
Series code		Rated voltage symbol		Rated capacitance symbol	Capacitance tolerance symbol	Casing symbol			Taping symbol

Standard Ratings

Rated voltage (V) Rated capacitance (μF)	Item	2.5			4			6.3			10			16		
		Case φD×L (mm)	ESR (mΩ max.)	Rated ripple current (mA rms)	Case φD×L (mm)	ESR (mΩ max.)	Rated ripple current (mA rms)	Case φD×L (mm)	ESR (mΩ max.)	Rated ripple current (mA rms)	Case φD×L (mm)	ESR (mΩ max.)	Rated ripple current (mA rms)	Case φD×L (mm)	ESR (mΩ max.)	Rated ripple current (mA rms)
33	—	—	—	—	—	—	—	—	—	—	—	—	6.3×5.7	37	590	
39	—	—	—	—	—	—	—	—	—	—	—	—	6.3×5.7	37	590	
47	—	—	—	—	—	—	—	—	—	—	6.3×5.7	31	680	6.3×5.7	37	590
56	—	—	—	—	—	—	—	—	—	—	6.3×5.7	31	680	—	—	—
68	—	—	—	—	—	—	6.3×5.7	27	720	—	—	—	—	—	—	—
82	—	—	—	—	—	—	6.3×5.7	27	720	—	—	—	—	—	—	—
100	—	—	—	6.3×5.7	26	770	6.3×5.7	27	720	—	—	—	—	—	—	—
120	—	—	—	—	—	—	6.3×5.7	27	720	—	—	—	—	—	—	—
150	—	—	—	6.3×5.7	26	770	—	—	—	—	—	—	—	—	—	—
220	6.3×5.7	25	770	—	—	—	—	—	—	—	—	—	—	—	—	—

(Note) Rated ripple current : 125°C, 100kHz ; ESR : 20°C, 100kHz

**Aluminum Electrolytic Capacitors
(Chip Type, Miniature Type, Large Type, For Audio)**

■ Cautions for Using Aluminum Electrolytic Capacitors

Please read the specification before using ELNA products.

The following cautions should be observed when using our aluminum electrolytic capacitors to assure their maximum stability and performance. When your application design conditions or operating conditions exceed the limit of the product specification, please contact us. If used under conditions beyond the limit of our specifications, it may cause defects such as short circuit, open circuit, leakage, explosion or combustion.

■ Cautions for usage

1. DC electrolytic capacitors are polarized.

- If used with a wrong polarity, it creates an abnormal current resulting in a short circuit or damage to itself. Use DC bipolar electrolytic capacitors for use with uncertain or unknown polarity. DC capacitors cannot be used in AC circuits.

2. Use within the rated voltage.

- If a voltage exceeding the rated voltage is applied, it may cause characteristic deterioration or damage due to the increased leakage current.
- When ripple current is loaded, make sure that the peak value of the ripple voltage does not exceed the rated voltage.

3. Using for power supply circuit.

- While aluminum electrolytic capacitors are operated electrolyte liquid inside dries up and E.S.R. (Equivalent Series Resistance) of the capacitor increases. In case operated longer than rated life time, the capacitance much decreases, tangent of loss angle and E.S.R. much increases. Therefore for some case the sum of bias direct voltage and the peak of ripple voltage is over the rated voltage of the capacitor.
- For any type of circuit, in case the sum of bias direct voltage and the peak of ripple voltage is over the rated voltage of the capacitors or in case the minimum voltage is lower than 0 (zero) volt, the voltage control for the capacitors shall be provided.

4. Do not use in a circuit which requires rapid charging or discharging.

- If used in a circuit requiring rapid charging or discharging, it may cause characteristic deterioration or damage to itself due to the heat generated inside the capacitor. In such cases, contact us for our rapid charging/discharging capacitors.

5. Use within the rated ripple current.

- If applied ripple current exceeds rated ripple current, the life of the capacitor may be shortened, or in an extreme case it gets destroyed due to its internal heat. Use high-ripple type capacitors for such circuits.

6. Changes in characteristics due to operating temperature.

- The characteristics of an electrolytic capacitor will change with a change in the temperature. Such changes are temporary and the original characteristics will be restored at the original temperature (if the characteristics are not deteriorated by remaining

at a high temperature for a long time). If used at a temperature exceeding the guaranteed temperature range, the capacitor may be damaged due to the increased leakage current. Pay attention to the capacitor temperature being affected by the ambient temperature of the unit, the temperature inside the appliance, the heat radiated by another hot component in the unit and the heat inside the capacitor itself due to the ripple current.

- (1)The electrostatic capacitance is normally shown as the value at 20°C-120Hz. It increases as the temperature raises and decreases as it lowers.
- (2)The tangent of loss angle ($\tan\delta$) is normally shown as the value at 20°C-120Hz. It decreases as the ambient temperature gets high and increases as it gets low.
- (3)The leakage current increases as the temperature gets high and decreases as it gets low.

7. Changes in the characteristics due to frequency.

- The characteristics of an electrolytic capacitor will change according to the change in the operating frequency.
 - (1)The electrostatic capacity is normally shown as the value at 20°C-120Hz. It decreases as the frequency increases.
 - (2)The tangent of loss angle ($\tan\delta$) is normally shown as the value at 20°C-120Hz. It increases as the frequency gets high.
 - (3)The impedance is normally shown as the value at 100kHz 20°C. It increases as the frequency lowers.

8. Aluminum electrolytic capacitor life.

- The life of an aluminum electrolytic capacitor terminates when it fails due to the deterioration in its electronic characteristics. Temperature and the ripple current since they especially affect the life. See chart on page.

9. Changes in aluminum electrolytic capacitors during storage.

- After storage for a long period, whether unused or mounted on the appliance, the leakage current of an aluminum electrolytic capacitor will increase. This tendency is more prominent when the ambient temperature is high. If a capacitor has been stored for more than 2 years under normal temperature (shorter if high temperature) and it shows increased leakage current, a treatment by voltage application is recommended. Addition of a protective circuit in the design of the appliance is also recommended, considering the effect of the initial increased current.

10. Insulation between the capacitor case and the cathode terminal.

- The capacitor case and the cathode terminal are connected through the electrolyte which has uncertain resistance. If a complete insulation of the case is necessary, add an insulator at assembly.

11. NC terminal (the supplemental terminal) (series RPK, LJ6, LJ2)

- Since NC terminal is not insulated. It should be mounted at a position electronically independent from all other parts of the circuit.

12. External sleeve

- During a preheating or a hardening of mounting adhesive may cause a sleeve cracked. The capacitors are usually sleeved with poly vinyl chloride or poly ethylene terephthalate for the indication purpose only. Please do not consider it as an insulation.

13. Fumigation Process

- When exporting electronic equipment abroad, fumigation process may be performed on wooden packaging material with a halogen (compound) gas such as methyl bromide. Exercise care as this halogen gas may corrode capacitors. Also, use caution to epidemic preventive agent as corrosive component such as halogen may be contained.

14. Specific Operating Environments

- Capacitors may corrode when stored or used in a place filled with acidic toxic gases (such as hydrogen sulfide, sulfurous acid, nitrous acid, chlorine, bromine, methyl bromide, etc.) If capacitors are used or stored in such environments, please let us know.

15. Use at a high altitude

- The use of capacitors at high altitudes such as on an airplane causes a large difference between the internal pressure of the capacitors and the atmospheric pressure. However, there is no problem in use under atmospheric pressure up to about an altitude of 10,000 meters. Please check the operation of electronic equipment at the operating environmental temperature because the temperature lowers with increased altitude. If the condition is severe like space, please contact us.

16. Hole pitch adjustment of the PCB to the capacitors.

- Set the hole pitch of the PCB to the lead pitch (the "F" distance in the catalog) of the capacitor. Be careful since a short circuit, a cut or an increase in the leakage current etc. may be caused by the stress given to the lead wire terminals due to the difference between the hole pitch and the lead pitch.

17. Capacitors with pressure valves.

- A part of the capacitor case is made thin to have the function as the pressure valve in order to prevent explosion due to the rise of inside pressure when a reverse or excessive voltage is applied to the capacitor. Once it has worked as a valve, the whole capacitor needs to be replaced since the valve will not restore.
- When you use a capacitor with pressure valve, provide certain space above the pressure valve as below to prevent an interference when it works as a valve.

Diameter of the capacitor (mm)	18 or less	20 to 40
Required space above the valve (mm)	2.0 or more	3.0 or more

18. Double-sided PCB's

- When you use electrolytic capacitors on a double sided PCB, be careful not to have the circuit pattern run under where the capacitor is mounted. Otherwise it may cause a short circuit on the PCB depending on the condition of mounting.

19. Regarding to connection of capacitors

- Aluminum electrolytic capacitor has electrolyte liquid so that the most portion of electric loss characteristics came from E.S.R(Equivalent Series Resistance) of electrolyte liquid. Therefore the capacitor is an electronic devise which can flow high ripple current in case the temperature increases and it decreases E.S.R. In case connecting two capacitors or more, E.S.R. of the capacitors is close to the resistance of the circuit. Therefore in case current is unbalanced and some capacitors has high ripple current, temperature increase, it makes more high current and finally it is over the rated ripple current. For parallel connection of capacitors the proper design of electric circuit such as balancing of each capacitors resistance or control of total ripple current shall be provided to avoid excess ripple current and voltage.
- When two or more capacitors are arranged in series, the voltage given to each capacitors shall be kept below the rated voltage level, by also giving consideration to the balance of the voltage impressed on the capacitors. Further, partial pressure resistor which considers leakage current shall be provided parallel to each condenser not to have over-voltage impressed on. Balance resistance are explained on p.106 of our Catalog.

NOTE : Design, Specifications are subject to change without notice. It is recommended that you shall obtain technical specifications from ELNA to ensure that the component is suitable for your use.

■ Cautions for Mounting

1. Cautions for mounting.

- Check the ratings (electrostatic capacitance and rated voltage) of the capacitor before mounting.
- Transient recovery voltage may be generated in the capacitor due to dielectric absorption. If required, this voltage can be discharged with a resistor with a value of about 1 kΩ.
- Check the polarity of the capacitor to the chassis.
- Do not drop the capacitor to the floor. Do not use the dropped capacitor.
- Do not deform the capacitor for mounting.

2. Do not apply excessive pressure to the capacitor, its terminals or lead wires.

- Make sure that the contact path of the capacitor meets the hole pitch of the PCB before mounting.
- A PCB self-standing (snap-in) type capacitor should be pushed to the end (till there is no space) to the PCB for mounting.
- Do not set the automatic insertion machine to clinch the capacitor lead wires too strong.
- Pay attention to the impact given by the component receptacles of the automatic insertion/mounting machines and the product checker, and from the centering operation.

3. Soldering.

- Do not dip the capacitor into melted solder.
- The soldering conditions
About detail conditions are described in the catalog or product specification.
- Do not flux other part than the terminals.
- If there is a direct contact between the sleeve of the capacitor and the printed circuit pattern or a metal part of another component such as a lead wire, it may cause shrinkage of crack.
- When you use the capacitor with its sleeve touching directly to the PCB, excessive solder temperature or excessive soldering time may cause the sleeve to shrink or crack during the heat.
- If the application is for extended use, understand and manage the soldering characteristics to avoid abnormal current caused by a contact failure between the capacitor and the PCB.

4. Handling after soldering

- After soldering, do not tilt, push down or twist the capacitor.
- After soldering, do not hold the capacitor as a handle to carry the PCB.
- After soldering, do not hit the capacitor with any obstacle. If PCB's are piled up for storage, the capacitor should not touch another PCB or component.

5. Cleaning after Soldering

- Recommended cleaning method
 - (1) cleaning solutions:
 - (a) CLEANTHROUGH 710M, 750H, 750L
 - (b) PINEALPHA ST-100S
 - (c) Techno Care FRW-4~17
 - (d) Isopropyl alcohol (2-propanol)
 - (2) Cleaning conditions:
 - (a) The temperature of cleaning solution shall be less than 60°C.
 - (b) Use immersion or ultrasonic waves within two minutes.
 - (c) After cleaning, capacitors and PCB's shall thoroughly be rinsed and dried with hot blast for more than 10 minutes. The temperature of such breeze should be less than the upper category temperature.
 - (d) After cleaning, do not keep capacitors in cleaning solution atmosphere or airtight containers.
- During cleaning, control the cleaning solution against contamination.

6. Fixing adhesives and coating materials.

- Do not use fixing adhesive or coating material containing halogen-based solvent.
- Before applying the fixing adhesive or the coating material, make sure that there is no remaining flux or stains between the PCB and the sealed part of the capacitor.
- Before applying the fixing adhesive or the coating material, make sure that the detergent etc. has dried up.
- Do not cover the whole surface of the sealed part (terminal side) of the capacitor with the fixing adhesive or the coating material.
- Observe the description in the catalog or the product specifications concerning the thermal stiffening conditions of the fixing adhesive or the coating material. (If there is no such description, contact us.)
When both discrete and SMT components are on the same PCB, the fixing material for the SMT components may cause crack, tear or shrinkage on the external sleeve depending on the thermal stiffening condition.
- Recommended fixing adhesives and coating materials
Fixing adhesives : Cemedine 1500, Diabond DN83K, Bond G103
Coating materials : Taffy TF1159, HumiSeal 1B66NS, 1A27NS

■ Other Cautions**1. Do not touch capacitor terminals with bare hands.**

You may get electric shock or your hand may be burnt. Discharge it with a 1 KΩ resistance before use if necessary.

2. Do not short the capacitor terminals with a conductor.

Do not spill conductive solution including acid or alkaline solution on the capacitor.

3. Periodical Inspections should be established for the capacitors in industrial appliances.

- The following items should be checked:
 - (1) Appearance : Check if there is any open valve or leakage.
 - (2) Electronic performance : Check the leakage current, the electrostatic capacitance, the tangent of loss angle and other items described in the catalog or the product specifications.

4. Take the following measures in case of emergency.

- If you see gas coming out of the capacitor valve when the set is in operation, turn off the power switch of the unit or unplug the power cord from the outlet.
- Keep your face away from the capacitor pressure valve, since the high temperature gas at over 100°C bursts out when the valve works. If the gas gets into your eyes or your mouth, wash your eyes or your mouth. Do not ingest the capacitor electrolyte. If the electrolyte gets on your skin, wash it out with soap.

5. Storing conditions.

- Avoid high temperature or high humidity when storing capacitors. Keep the storing temperature at 5°C to 35°C and the relative humidity not more than 75%.
- The leakage current of an aluminum electrolytic capacitor tends to increase when stored for a long time. This tendency becomes more prominent if the ambient temperature is high. The leakage current will be decreased by voltage application. If necessary, treatment by voltage application should be made on the capacitors which have been stored for a long period (more than 2 years after production).
- Do not store capacitors at a place where there is a possibility that they may get water, salt or oil spill.
- Do not store capacitors at a place where the air contains dense hazardous gas (hydrogen sulfide, sulfurous acid, nitrous acid, chlorine, ammonia, etc.).
- Fumigation treatment with toxic gas covering the whole wooden container frames as moth proofing during shipment may leave residual toxic gas.
- Do not store capacitors at a place where it gets ultra-violet or radioactive rays.

6. Disposing of capacitors.

- Punch a hole or crush the capacitors (to prevent explosion) before incineration at approved facility.
- If they are not to be incinerated, bring them to a professional industrial waste disposal company.

7. Other notes.

- Please refer to the following literature for anything not described in the specification or the catalog.

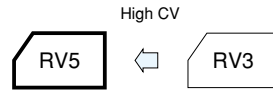
(Technical report of Japan Electronics and Information Technology Industries Association, EIAJ RCR-2367 "Guideline of notabilia for fixed aluminum electrolytic capacitors for use in electronic equipment")

Chip Type Aluminum Electrolytic Capacitors

Chip Type 85°C High CV Capacitors

GREEN CAP SMD Anti-cleaning solvent

- Compatible with surface mounting.
- Supplied with carrier taping.
- Guarantees 2000 hours at 85°C.



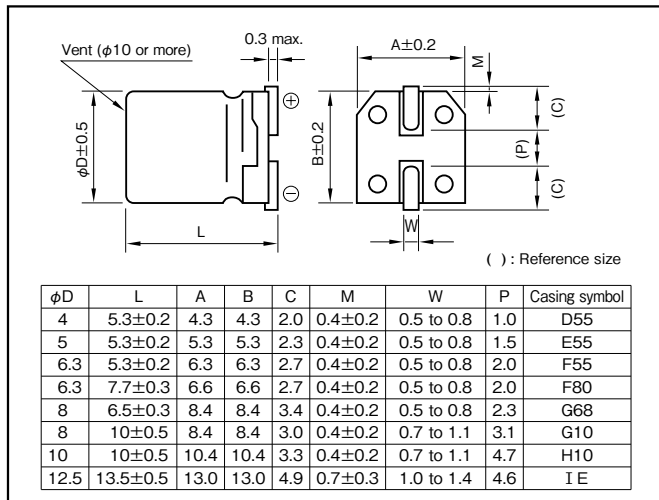
Marking color : Black print

Specifications

Item	Performance										
Category temperature range (°C)	-40 to +85										
Tolerance at rated capacitance (%)	±20 (20°C, 120Hz)										
Leakage current (µA) (max.)	0.01CV or 3 whichever is larger (after 2 minutes) C : Rated capacitance (µF) ; V : Rated voltage (V) (20°C)										
Tangent of loss angle (tanδ)	Rated voltage (V)	4	6.3	10	16	25	35	50	63	100	
	tanδ (max.)	Refer to following page. (20°C, 120Hz)									
Characteristics at high and low temperature	Rated voltage (V)	4	6.3	10	16	25	35	50	63	100	
	Impedance ratio (max.)	Z-25°C/Z+20°C	7	4	3	2	2	2	2	2	2
		Z-40°C/Z+20°C	17	10	8	6	4	3	3	3	
Endurance (85°C) (Applied ripple current)	Test time	2000 hours									
	Leakage current	The initial specified value or less									
	Percentage of capacitance change	Within ±30% of initial value									
	Tangent of the loss angle	200% or less of the initial specified value									
Shelf life (85°C)	Test time : 1000hours ; other items are same as the endurance. Voltage application treatment : According to JIS C5101-4 4.1										
Applicable standards	JIS C5101 - 1, - 18 (IEC 60384 - 1, - 18)										

Outline Drawing

Unit : mm



Refer to individual page.
(Soldering conditions, Land pattern size, The taping specifications)

Coefficient of Frequency for Rated Ripple Current

Frequency (Hz)	50 · 60	120	1k	10k · 100k
Rated voltage (V)				
4 to 16	0.80	1	1.15	1.25
25 to 35	0.80	1	1.25	1.40
50 to 63	0.80	1	1.35	1.50
100	0.70	1	1.35	1.50

Part numbering system

φ8 or less (example : 16V470µF)

RV5	—	16	V	471	M	G10	U	—	
Series code		Rated voltage symbol		Rated capacitance symbol	Capacitance tolerance symbol	Casing symbol			Taping symbol

φ10(example : 16V470µF)

RV5	—	16	V	471	M	H10	EU	—	
Series code		Rated voltage symbol		Rated capacitance symbol	Capacitance tolerance symbol	Casing symbol			Taping symbol

φ12.5(example : 10V1500µF)

RV5	—	10	V	152	M	IE	T	—	R5
Series code		Rated voltage symbol		Rated capacitance symbol	Capacitance tolerance symbol	Casing symbol			Taping symbol

*φ10 product have sleeve type (white print on a brown sleeve), but old type product. Please inquire for sleeve type P/N. However, we don't accept new orders.

Standard Ratings

Rated voltage(V) Rated capacitance(μF)	Item	4				6.3				10				16				25			
		Case φD×L (mm)	Casing symbol	tan δ	Rated ripple current (mArms)	Case φD×L (mm)	Casing symbol	tan δ	Rated ripple current (mArms)	Case φD×L (mm)	Casing symbol	tan δ	Rated ripple current (mArms)	Case φD×L (mm)	Casing symbol	tan δ	Rated ripple current (mArms)	Case φD×L (mm)	Casing symbol	tan δ	Rated ripple current (mArms)
10	—	—	—	—	—	—	—	—	—	4×5.3	D55	0.24	23	4×5.3	D55	0.20	26	4×5.3	D55	0.18	23
22	—	—	—	—	4×5.3	D55	0.28	31	4×5.3	D55	0.24	26	4×5.3	D55	0.28	30	4×5.3	D55	0.18	24	
33	4×5.3	D55	0.42	31	4×5.3	D55	0.35	28	4×5.3	D55	0.32	32	4×5.3	D55	0.28	32	5×5.3	E55	0.20	44	
					5×5.3	E55	0.28	44	5×5.3	E55	0.24	48	5×5.3	E55	0.28	44	5×5.3	E55	0.18	54	
47	4×5.3	D55	0.42	37	4×5.3	D55	0.35	34	4×5.3	D55	0.32	33	4×5.3	D55	0.28	32	5×5.3	E55	0.28	52	
					5×5.3	E55	0.28	52	5×5.3	E55	0.32	54	6.3×5.3	F55	0.20	75	6.3×5.3	F55	0.18	75	
100	5×5.3	E55	0.42	63	5×5.3	E55	0.35	58	5×5.3	E55	0.32	54	6.3×5.3	F55	0.20	70	6.3×7.7	F80	0.18	124	
					6.3×5.3	F55	0.28	89	6.3×5.3	F55	0.24	98	6.3×5.3	F55	0.20	70	8×6.5	G68	0.18	118	
150	—	—	—	—	6.3×5.3	F55	0.35	83	6.3×5.3	F55	0.32	79	6.3×7.7	F80	0.28	109	—	—	—	—	
					6.3×7.7	F80	0.32	173	6.3×7.7	F80	0.32	173	6.3×7.7	F80	0.28	162	—	—	—	—	
220	6.3×5.3	F55	0.42	110	6.3×5.3	F55	0.35	113	6.3×7.7	F80	0.32	175	8×10	G10	0.20	220	8×10	G10	0.14	252	
					6.3×7.7	F80	0.35	188	8×10	G10	0.24	230	8×10	G10	0.20	260	8×10	G10	0.18	300	
330	—	—	—	—	8×6.5	G68	0.35	190	8×10	G10	0.24	230	8×10	G10	0.20	260	10×10	H10	0.14	458	
					8×10	G10	0.28	262	8×10	G10	0.32	310	8×10	G10	0.28	307	10×10	H10	0.14	458	
470	—	—	—	—	—	—	—	—	—	—	—	—	—	—	—	—	—	—	—	—	
680	—	—	—	—	—	—	—	—	—	—	—	—	—	—	—	—	—	—	—	—	
820	—	—	—	—	8×10	G10	0.35	320	—	—	—	—	—	—	—	—	—	—	—	—	
1000	—	—	—	—	10×10	H10	0.28	458	10×10	H10	0.24	454	12.5×13.5	IE	0.20	521	—	—	—	—	
1500	—	—	—	—	10×10	H10	0.35	489	12.5×13.5	IE	0.24	560	—	—	—	—	—	—	—	—	
2200	—	—	—	—	12.5×13.5	IE	0.30	651	—	—	—	—	—	—	—	—	—	—	—	—	

Rated voltage(V) Rated capacitance(μF)	Item	35				50				63				100			
		Case φD×L (mm)	Casing symbol	tan δ	Rated ripple current (mArms)	Case φD×L (mm)	Casing symbol	tan δ	Rated ripple current (mArms)	Case φD×L (mm)	Casing symbol	tan δ	Rated ripple current (mArms)	Case φD×L (mm)	Casing symbol	tan δ	Rated ripple current (mArms)
1	—	—	—	—	4×5.3	D55	0.10	10	—	—	—	—	—	—	—	—	
2.2	—	—	—	—	4×5.3	D55	0.10	15	—	—	—	—	—	—	—	—	
3.3	—	—	—	—	4×5.3	D55	0.10	19	4×5.3	D55	0.12	12	—	—	—	—	
4.7	4×5.3	D55	0.12	20	4×5.3	D55	0.12	20	5×5.3	E55	0.12	20	—	—	—	—	
					5×5.3	E55	0.10	26									
10	4×5.3	D55	0.14	27	5×5.3	E55	0.12	34	6.3×5.3	F55	0.12	32	8×10	G10	0.10	94	
					6.3×5.3	F55	0.10	44									
22	5×5.3	E55	0.14	47	6.3×5.3	F55	0.12	47	6.3×7.7	F80	0.12	60	8×10	G10	0.12	94	
									8×6.5	G68	0.12	62					
33	6.3×5.3	F55	0.14	67	6.3×7.7	F80	0.12	82	8×10	G10	0.10	139	8×10	G10	0.12	94	
					8×6.5	G68	0.12	83									
47	6.3×5.3	F55	0.14	54	6.3×7.7	F80	0.12	85	8×10	G10	0.10	139	10×10	H10	0.12	189	
					6.3×7.7	F80	0.14	90									10×10
100	6.3×7.7	F80	0.14	120	8×10	G10	0.12	252	10×10	H10	0.10	226	12.5×13.5	IE	0.10	242	
					10×10	H10	0.10	458									
220	8×10	G10	0.14	260	—	—	—	—	12.5×13.5	IE	0.10	343	—	—	—	—	
					10×10	H10	0.12	458									
330	10×10	H10	0.14	360	12.5×13.5	IE	0.10	451	—	—	—	—	—	—	—	—	
470	12.5×13.5	IE	0.12	451	—	—	—	—	—	—	—	—	—	—	—	—	

(Note) Rated ripple current : 85° C, 120Hz

Chip Type 85°C Capacitors (height:4.5mm)

GREEN CAP

SMD

Anti-cleaning solvent

- Compatible with surface mounting for 4.5mm height capacitors.
- Supplied with carrier taping.
- Guarantees 2000 hours at 85°C.



Low Profile



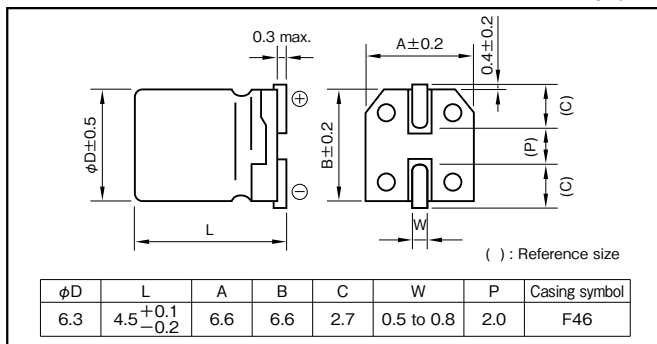
Marking color : Black print

Specifications

Item	Performance								
Category temperature range (°C)	-40 to +85								
Tolerance at rated capacitance (%)	±20 (20°C, 120Hz)								
Leakage current (µA) (max.)	0.01CV or 3 whichever is larger (after 2 minutes) C : Rated capacitance (µF) ; V : Rated voltage (V) (20°C)								
Tangent of loss angle (tanδ)	Rated voltage (V)	6.3	10	16	25	35	50		
	tanδ (max.)	0.30	0.24	0.19	0.16	0.14	0.12		
Characteristics at high and low temperature	Impedance ratio (max.)	Rated voltage (V)		6.3	10	16	25	35	50
		Z-25°C/Z+20°C		4	3	2	2	2	2
		Z-40°C/Z+20°C		8	8	4	4	3	3
Endurance (85°C) (Applied ripple current)	Test time	2000 hours							
	Leakage current	The initial specified value or less							
	Percentage of capacitance change	Within ±20% of initial value							
	Tangent of the loss angle	300% or less of the initial specified value							
Shelf life (85°C)	Test time : 1000hours ; other items are same as the endurance. Voltage application treatment : According to JIS C5101-4 4.1								
Applicable standards	JIS C5101 - 1, - 18 (IEC 60384 - 1, - 18)								

Outline Drawing

Unit : mm



Refer to individual page.
(Soldering conditions, Land pattern size, The taping specifications)

Coefficient of Frequency for Rated Ripple Current

Frequency (Hz)	50 · 60	120	1k	10k · 100k
Rated voltage (V)				
6.3 to 16	0.80	1	1.15	1.25
25 to 35	0.70	1	1.25	1.40
50	0.70	1	1.35	1.50

Part numbering system (example : 6.3V100µF)

RV4	—	6	V	101	M	F46	U	—	
Series code		Rated voltage symbol		Rated capacitance symbol	Capacitance tolerance symbol	Casing symbol			Taping symbol

Standard Ratings

Rated voltage (V)	Item	6.3			10			16			25			35			50		
		Rated capacitance (µF)	ESR (Ω)	Rated ripple current (mA _{rms})	Rated capacitance (µF)	ESR (Ω)	Rated ripple current (mA _{rms})	Rated capacitance (µF)	ESR (Ω)	Rated ripple current (mA _{rms})	Rated capacitance (µF)	ESR (Ω)	Rated ripple current (mA _{rms})	Rated capacitance (µF)	ESR (Ω)	Rated ripple current (mA _{rms})	Rated capacitance (µF)	ESR (Ω)	Rated ripple current (mA _{rms})
6.3	F46	100	5	76	47	8	59	33	10	55	22	12	49	22	11	52	10	20	35

(Note) Rated ripple current : 85°C , 120Hz ; ESR : 20°C , 120Hz

Chip Type Bipolar Capacitors (height:5.5mm)

GREEN CAP

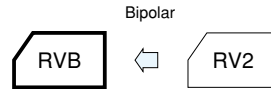
SMD

Anti-cleaning solvent

- Compatible with surface mounting for 5.5mm height capacitors.
- Supplied with carrier taping.
- Guarantees 2000 hours at 85°C.



Marking color : Black print

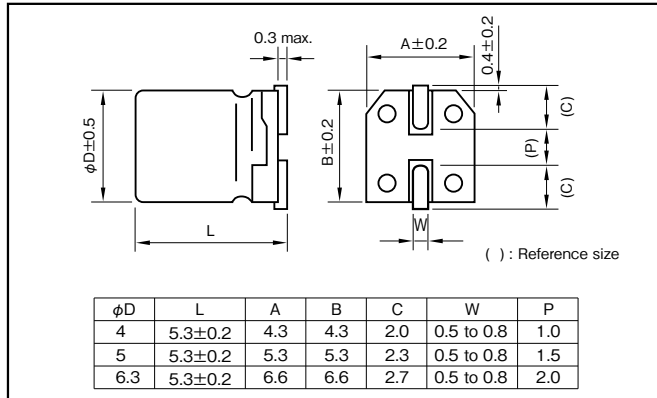


Specifications

Item	Performance																							
Category temperature range (°C)	-40 to +85																							
Tolerance at rated capacitance (%)	±20 (20°C, 120Hz)																							
Leakage current (µA) (max.)	0.01CV or 3 whichever is larger (after 2 minutes) C : Rated capacitance (µF) ; V : Rated voltage (V) (20°C)																							
Tangent of loss angle (tanδ)	<table border="1"> <thead> <tr> <th colspan="2">Rated voltage (V)</th> <th>6.3</th> <th>10</th> <th>16</th> <th>25</th> <th>35</th> <th>50</th> </tr> </thead> <tbody> <tr> <td rowspan="2">tanδ (max.)</td> <td>φ4</td> <td>0.35</td> <td>0.30</td> <td>0.25</td> <td>0.25</td> <td>0.25</td> <td>0.25</td> </tr> <tr> <td>φ5, 6.3</td> <td>0.30</td> <td>0.25</td> <td>0.20</td> <td>0.15</td> <td>0.15</td> <td>0.15</td> </tr> </tbody> </table>	Rated voltage (V)		6.3	10	16	25	35	50	tanδ (max.)	φ4	0.35	0.30	0.25	0.25	0.25	0.25	φ5, 6.3	0.30	0.25	0.20	0.15	0.15	0.15
	Rated voltage (V)		6.3	10	16	25	35	50																
tanδ (max.)	φ4	0.35	0.30	0.25	0.25	0.25	0.25																	
	φ5, 6.3	0.30	0.25	0.20	0.15	0.15	0.15																	
Characteristics at high and low temperature	<table border="1"> <thead> <tr> <th colspan="2">Rated voltage (V)</th> <th>6.3</th> <th>10</th> <th>16</th> <th>25</th> <th>35</th> <th>50</th> </tr> </thead> <tbody> <tr> <td rowspan="2">Impedance ratio (max.)</td> <td>Z-25°C/Z+20°C</td> <td>3</td> <td>3</td> <td>2</td> <td>2</td> <td>2</td> <td>2</td> </tr> <tr> <td>Z-40°C/Z+20°C</td> <td>8</td> <td>5</td> <td>4</td> <td>3</td> <td>3</td> <td>3</td> </tr> </tbody> </table>	Rated voltage (V)		6.3	10	16	25	35	50	Impedance ratio (max.)	Z-25°C/Z+20°C	3	3	2	2	2	2	Z-40°C/Z+20°C	8	5	4	3	3	3
	Rated voltage (V)		6.3	10	16	25	35	50																
Impedance ratio (max.)	Z-25°C/Z+20°C	3	3	2	2	2	2																	
	Z-40°C/Z+20°C	8	5	4	3	3	3																	
Endurance (85°C) (Applied ripple current)	Test time	2000 hours (with the polarity inverted every 250 hours)																						
	Leakage current	The initial specified value or less																						
	Percentage of capacitance change	Within ±20% of initial value																						
	Tangent of the loss angle	200% or less of the initial specified value																						
Shelf life (85°C)	Test time : 1000hours ; other items are same as the endurance. Voltage application treatment : According to JIS C5101-4 4.1																							
Applicable standards	JIS C5101 - 1, - 18 (IEC 60384 - 1, - 18)																							

Outline Drawing

Unit : mm

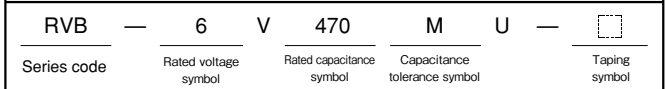


Refer to individual page.
(Soldering conditions, Land pattern size, The taping specifications)

Coefficient of Frequency for Rated Ripple Current

Rated voltage (V)	Frequency (Hz)			
	50 · 60	120	1k	10k · 100k
6.3 to 16	0.80	1	1.15	1.25
25 to 35	0.80	1	1.25	1.40
50	0.80	1	1.35	1.50

Part numbering system (example : 6.3V47µF)



Standard Ratings

Rated voltage (V) / Rated capacitance (µF)	6.3			10			16			25			35			50		
	Case φD(mm)	ESR (Ω)	Rated ripple current (mA _{RMS})	Case φD(mm)	ESR (Ω)	Rated ripple current (mA _{RMS})	Case φD(mm)	ESR (Ω)	Rated ripple current (mA _{RMS})	Case φD(mm)	ESR (Ω)	Rated ripple current (mA _{RMS})	Case φD(mm)	ESR (Ω)	Rated ripple current (mA _{RMS})	Case φD(mm)	ESR (Ω)	Rated ripple current (mA _{RMS})
1	—	—	—	—	—	—	—	—	—	—	—	—	—	—	—	4	332	7.2
2.2	—	—	—	—	—	—	—	—	—	—	—	—	4	151	10	5	113	14
3.3	—	—	—	—	—	—	—	—	—	4	101	13	5	75	17	5	75	17
4.7	—	—	—	—	—	—	4	88	14	5	53	20	5	53	21	6.3	53	24
10	—	—	—	4	50	18	5	33	26	6.3	25	35	6.3	25	35	—	—	—
22	5	23	27	6.3	19	40	6.3	15	45	—	—	—	—	—	—	—	—	—
33	6.3	15	45	6.3	13	50	6.3	10	55	—	—	—	—	—	—	—	—	—
47	6.3	11	54	—	—	—	—	—	—	—	—	—	—	—	—	—	—	—

(Note) Rated ripple current : 85°C, 120Hz ; ESR : 20°C, 120Hz

NOTE : Design, Specifications are subject to change without notice.
It is recommended that you shall obtain technical specifications from ELNA to ensure that the component is suitable for your use.

Chip Type 105°C Standard Capacitors

GREEN CAP

SMD

105°C
1000hours

Anti-cleaning solvent

- Compatible with surface mounting.
- Supplied with carrier taping.
- Guarantees 1000 hours at 105°C.



High temperature



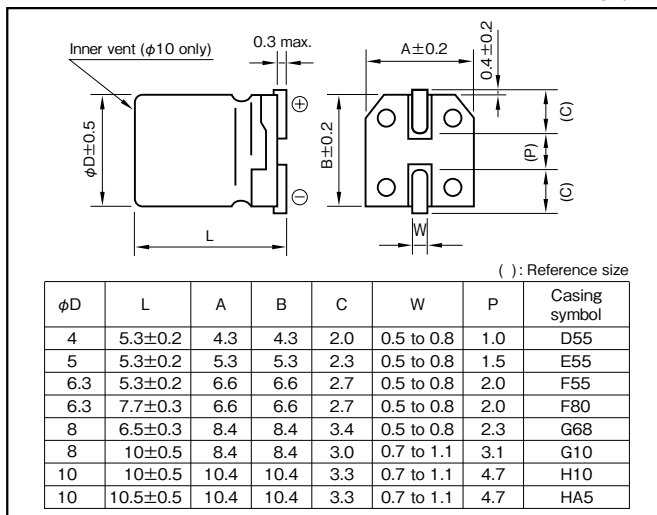
Marking color : Black print

Specifications

Item	Performance																				
Category temperature range (°C)	-55 to +105																				
Tolerance at rated capacitance (%)	±20 (20°C, 120Hz)																				
Leakage current (µA) (max.)	0.01CV or 3 whichever is larger (after 2 minutes) C : Rated capacitance (µF) ; V : Rated voltage (V) (20°C)																				
Tangent of loss angle (tanδ)	<table border="1"> <thead> <tr> <th>Rated voltage (V)</th> <th>6.3</th> <th>10</th> <th>16</th> <th>25</th> <th>35</th> <th>50</th> </tr> </thead> <tbody> <tr> <td>tanδ (max.)</td> <td>0.30</td> <td>0.26</td> <td>0.22</td> <td>0.16</td> <td>0.13</td> <td>0.12</td> </tr> </tbody> </table> <p>(20°C, 120Hz)</p>	Rated voltage (V)	6.3	10	16	25	35	50	tanδ (max.)	0.30	0.26	0.22	0.16	0.13	0.12						
Rated voltage (V)	6.3	10	16	25	35	50															
tanδ (max.)	0.30	0.26	0.22	0.16	0.13	0.12															
Characteristics at high and low temperature	<table border="1"> <thead> <tr> <th>Rated voltage (V)</th> <th>6.3</th> <th>10</th> <th>16</th> <th>25</th> <th>35</th> <th>50</th> </tr> </thead> <tbody> <tr> <td rowspan="2">Impedance ratio (max.)</td> <td>Z-25°C/Z+20°C</td> <td>4</td> <td>3</td> <td>2</td> <td>2</td> <td>2</td> </tr> <tr> <td>Z-40°C/Z+20°C</td> <td>8</td> <td>5</td> <td>4</td> <td>3</td> <td>3</td> </tr> </tbody> </table> <p>(120Hz)</p>	Rated voltage (V)	6.3	10	16	25	35	50	Impedance ratio (max.)	Z-25°C/Z+20°C	4	3	2	2	2	Z-40°C/Z+20°C	8	5	4	3	3
Rated voltage (V)	6.3	10	16	25	35	50															
Impedance ratio (max.)	Z-25°C/Z+20°C	4	3	2	2	2															
	Z-40°C/Z+20°C	8	5	4	3	3															
Endurance (105°C) (Applied ripple current)	<table border="1"> <tbody> <tr> <td>Test time</td> <td>1000 hours</td> </tr> <tr> <td>Leakage current</td> <td>The initial specified value or less</td> </tr> <tr> <td>Percentage of capacitance change</td> <td>Within ±20% of initial value</td> </tr> <tr> <td>Tangent of the loss angle</td> <td>200% or less of the initial specified value</td> </tr> </tbody> </table>	Test time	1000 hours	Leakage current	The initial specified value or less	Percentage of capacitance change	Within ±20% of initial value	Tangent of the loss angle	200% or less of the initial specified value												
Test time	1000 hours																				
Leakage current	The initial specified value or less																				
Percentage of capacitance change	Within ±20% of initial value																				
Tangent of the loss angle	200% or less of the initial specified value																				
Shelf life (105°C)	Test time : 1000hours ; other items are same as the endurance. Voltage application treatment : According to JIS C5101-4 4.1																				
Applicable standards	JIS C5101 - 1, - 18 (IEC 60384 - 1, - 18)																				

Outline Drawing

Unit : mm



Refer to individual page.
(Soldering conditions, Land pattern size, The taping specifications)

Coefficient of Frequency for Rated Ripple Current

Frequency (Hz)	50 · 60	120	1k	10k · 100k
Rated voltage (V)				
6.3 to 16	0.80	1	1.15	1.25
25 to 35	0.80	1	1.25	1.40
50	0.80	1	1.35	1.50

Part numbering system (example : 16V47M F55 U)

RVS	—	16	V	470	M	F55	U	—	□
Series code		Rated voltage symbol		Rated capacitance symbol	Capacitance tolerance symbol	Casing symbol			Taping symbol

Standard Ratings

Rated voltage (V)	Item	6.3			10			16			25			35			50		
		Case φD × L(mm)	ESR (Ω)	Rated ripple current (mA _{rms})	Case φD × L(mm)	ESR (Ω)	Rated ripple current (mA _{rms})	Case φD × L(mm)	ESR (Ω)	Rated ripple current (mA _{rms})	Case φD × L(mm)	ESR (Ω)	Rated ripple current (mA _{rms})	Case φD × L(mm)	ESR (Ω)	Rated ripple current (mA _{rms})	Case φD × L(mm)	ESR (Ω)	Rated ripple current (mA _{rms})
1	—	—	—	—	—	—	—	—	—	—	—	—	—	—	—	—	4 × 5.3	199	7
2.2	—	—	—	—	—	—	—	—	—	—	—	—	—	—	—	—	4 × 5.3	91	10
3.3	—	—	—	—	—	—	—	—	—	—	—	—	—	—	—	—	4 × 5.3	60	12
4.7	—	—	—	—	—	—	—	—	—	—	4 × 5.3	57	12	4 × 5.3	46	14	5 × 5.3	42	17
10	—	—	—	4 × 5.3	43	15	4 × 5.3	36	16	5 × 5.3	27	21	5 × 5.3	22	23	6.3 × 5.3	20	26	
22	4 × 5.3	23	21	5 × 5.3	20	25	5 × 5.3	17	28	6.3 × 5.3	12	36	6.3 × 5.3	10	50	8 × 6.5	9.0	51	
33	5 × 5.3	15	30	5 × 5.3	13	31	6.3 × 5.3	11	40	6.3 × 5.3	8.0	44	8 × 6.5	6.5	59	6.3 × 7.7	6.0	60	
47	5 × 5.3	11	36	6.3 × 5.3	9.2	43	6.3 × 5.3	7.8	47	8 × 6.5	5.6	66	—	—	—	6.3 × 7.7	4.2	63	
100	6.3 × 5.3	5.0	61	6.3 × 5.3	4.3	60	6.3 × 5.3	3.6	60	6.3 × 7.7	2.7	91	6.3 × 7.7	2.2	84	8 × 10	2.0	140	
150	—	—	—	—	—	—	6.3 × 7.7	2.4	105	8 × 10	1.8	140	8 × 10	1.4	155	10 × 10	1.3	180	
220	8 × 6.5	2.3	102	6.3 × 7.7	2.0	105	6.3 × 7.7	1.7	105	8 × 10	1.2	155	8 × 10	0.98	190	10 × 10.5	0.91	220	
330	6.3 × 7.7	1.5	105	8 × 10	1.3	195	8 × 10	1.1	195	8 × 10	0.80	190	10 × 10.5	0.65	300	—	—	—	
470	8 × 10	1.1	210	8 × 10	0.92	210	8 × 10	0.78	230	10 × 10	0.57	300	—	—	—	—	—	—	
680	8 × 10	0.73	210	10 × 10	0.63	310	10 × 10	0.54	310	—	—	—	—	—	—	—	—	—	
1000	8 × 10	0.50	210	10 × 10	0.43	310	—	—	—	—	—	—	—	—	—	—	—	—	
1500	10 × 10	0.33	310	—	—	—	—	—	—	—	—	—	—	—	—	—	—	—	

(Note) Rated ripple current : 105°C , 120Hz ; ESR : 20°C , 120Hz

Chip Type 105°C Capacitors (height:6.0mm)

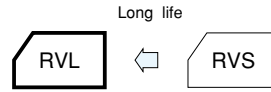
GREEN
CAP

SMD

105°C
2000hours

Anti-
cleaning
solvent

- Compatible with surface mounting for 6.0mm height capacitors.
- Supplied with carrier taping.
- Guarantees 2000 hours at 105°C.



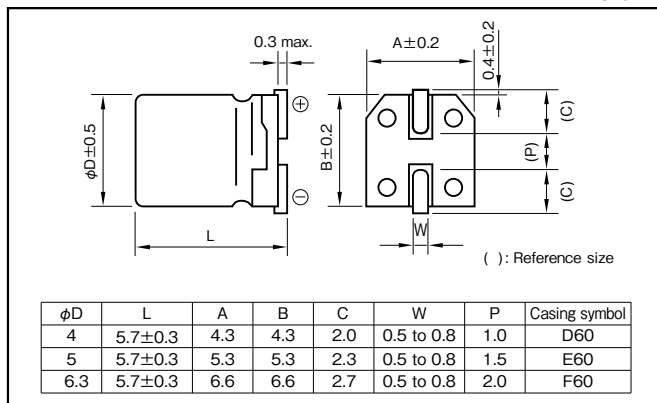
Marking color : Black print

Specifications

Item	Performance	
Category temperature range (°C)	-55 to +105	
Tolerance at rated capacitance (%)	±20 (20°C,120Hz)	
Leakage current (µA) (max.)	0.01CV or 3 whichever is larger (after 2 minutes) C : Rated capacitance (µF) ; V : Rated voltage (V) (20°C)	
Tangent of loss angle (tanδ)	Rated voltage (V)	6.3 10 16 25 35 50
	tanδ (max.)	0.32 0.28 0.24 0.18 0.15 0.14 (20°C,120Hz)
Characteristics at high and low temperature	Rated voltage (V)	6.3 10 16 25 35 50
	Impedance ratio (max.)	Z-25°C/Z+20°C 4 3 2 2 2 2 Z-40°C/Z+20°C 8 5 4 3 3 3 (120Hz)
Endurance (105°C) (Applied ripple current)	Test time	2000 hours
	Leakage current	The initial specified value or less
	Percentage of capacitance change	Within ±30% of initial value
	Tangent of the loss angle	300% or less of the initial specified value
Shelf life (105°C)	Test time : 1000hours ; other items are same as the endurance. Voltage application treatment : According to JIS C5101-4 4.1	
Applicable standards	JIS C5101 - 1, - 18 (IEC 60384 - 1, - 18)	

Outline Drawing

Unit : mm



Refer to individual page.
(Soldering conditions, Land pattern size, The taping specifications)

Coefficient of Frequency for Rated Ripple Current

Rated voltage (V)	Frequency (Hz)			
	50 · 60	120	1k	10k · 100k
6.3 to 16	0.80	1	1.15	1.25
25 · 35	0.80	1	1.25	1.40
50	1 to 3.3µF	0.50	1	1.35
	4.7 to 10µF	0.70	1	1.35

Part numbering system (example : 16V47µF)

RVL	—	16	V	470	M	F60	U	□
Series code		Rated voltage symbol		Rated capacitance symbol	Capacitance tolerance symbol	Casing symbol		Taping symbol

Standard Ratings

Rated capacitance (µF)	6.3			10			16			25			35			50		
	Case φD×L(mm)	ESR (Ω)	Rated ripple current (mA _{rms})	Case φD×L(mm)	ESR (Ω)	Rated ripple current (mA _{rms})	Case φD×L(mm)	ESR (Ω)	Rated ripple current (mA _{rms})	Case φD×L(mm)	ESR (Ω)	Rated ripple current (mA _{rms})	Case φD×L(mm)	ESR (Ω)	Rated ripple current (mA _{rms})	Case φD×L(mm)	ESR (Ω)	Rated ripple current (mA _{rms})
1	—	—	—	—	—	—	—	—	—	—	—	—	—	—	—	4×5.7	232	12
2.2	—	—	—	—	—	—	—	—	—	—	—	—	—	—	—	4×5.7	105	19
3.3	—	—	—	—	—	—	—	—	—	—	—	—	—	—	—	4×5.7	70	22
4.7	—	—	—	—	—	—	—	—	—	—	—	—	—	—	—	5×5.7	49	29
10	—	—	—	—	—	—	4×5.7	40	27	5×5.7	30	36	4×5.7	53	23	5×5.7	23	47
22	—	—	—	—	—	—	5×5.7	18	46	6.3×5.7	14	62	6.3×5.7	11	65	—	—	—
33	—	—	—	—	—	—	6.3×5.7	12	66	6.3×5.7	9.0	76	—	—	—	—	—	—
47	—	—	—	6.3×5.7	9.9	74	6.3×5.7	8.5	78	—	—	—	—	—	—	—	—	—
100	6.3×5.7	5.3	99	—	—	—	—	—	—	—	—	—	—	—	—	—	—	—

(Note) Rated ripple current : 105°C, 120Hz ; ESR : 20°C, 120Hz

NOTE : Design, Specifications are subject to change without notice.
It is recommended that you shall obtain technical specifications from ELNA to ensure that the component is suitable for your use.

Chip Type, 105°C Use, Large Capacitance Capacitors

GREEN CAP

SMD

105°C
5000hours

Anti-
cleaning
solvent

- Compatible with surface mounting.
- Supplied with carrier taping.
- Guarantees 2000 hours at 105°C.
($\phi 12.5$: 5000 hours)

RVJ

High temperature

RV



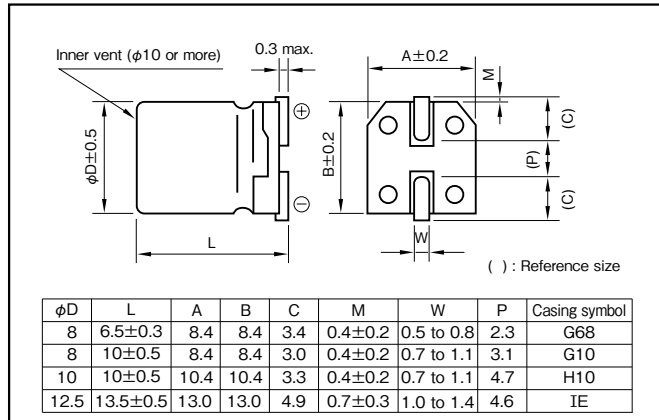
Marking color : Black print

Specifications

Item	Performance																										
Category temperature range (°C)	-55 to +105																										
Tolerance at rated capacitance (%)	±20 (20°C, 120Hz)																										
Leakage current (µA) (max.)	0.01CV or 3 whichever is larger (after 2 minutes) C : Rated capacitance (µF) ; V : Rated voltage (V) (20°C)																										
Tangent of loss angle (tanδ)	<table border="1"> <thead> <tr> <th>Rated voltage (V)</th> <th>6.3</th> <th>10</th> <th>16</th> <th>25</th> <th>35</th> <th>50</th> <th>63</th> <th>100</th> </tr> </thead> <tbody> <tr> <td>tanδ (max.)</td> <td>0.30</td> <td>0.24</td> <td>0.22</td> <td>0.16</td> <td>0.13</td> <td>0.12</td> <td>0.11</td> <td>0.10</td> </tr> </tbody> </table> <p>(20°C, 120Hz)</p>	Rated voltage (V)	6.3	10	16	25	35	50	63	100	tanδ (max.)	0.30	0.24	0.22	0.16	0.13	0.12	0.11	0.10								
Rated voltage (V)	6.3	10	16	25	35	50	63	100																			
tanδ (max.)	0.30	0.24	0.22	0.16	0.13	0.12	0.11	0.10																			
Characteristics at high and low temperature	<table border="1"> <thead> <tr> <th>Rated voltage (V)</th> <th>6.3</th> <th>10</th> <th>16</th> <th>25</th> <th>35</th> <th>50</th> <th>63</th> <th>100</th> </tr> </thead> <tbody> <tr> <td rowspan="2">Impedance ratio (max.)</td> <td>Z-25°C/Z+20°C</td> <td>4</td> <td>3</td> <td>2</td> <td>2</td> <td>2</td> <td>2</td> <td>2</td> </tr> <tr> <td>Z-40°C/Z+20°C</td> <td>8</td> <td>5</td> <td>4</td> <td>3</td> <td>3</td> <td>3</td> <td>3</td> </tr> </tbody> </table> <p>(120Hz)</p>	Rated voltage (V)	6.3	10	16	25	35	50	63	100	Impedance ratio (max.)	Z-25°C/Z+20°C	4	3	2	2	2	2	2	Z-40°C/Z+20°C	8	5	4	3	3	3	3
Rated voltage (V)	6.3	10	16	25	35	50	63	100																			
Impedance ratio (max.)	Z-25°C/Z+20°C	4	3	2	2	2	2	2																			
	Z-40°C/Z+20°C	8	5	4	3	3	3	3																			
Endurance (105°C) (Applied ripple current)	<table border="1"> <thead> <tr> <th>Test time</th> <td>2000 hours ($\phi 12.5$: 5000 hours)</td> </tr> <tr> <th>Leakage current</th> <td>The initial specified value or less</td> </tr> <tr> <th>Percentage of capacitance change</th> <td>Within ±20% of initial value</td> </tr> <tr> <th>Tangent of the loss angle</th> <td>200% or less of the initial specified value</td> </tr> </thead> </table>	Test time	2000 hours ($\phi 12.5$: 5000 hours)	Leakage current	The initial specified value or less	Percentage of capacitance change	Within ±20% of initial value	Tangent of the loss angle	200% or less of the initial specified value																		
Test time	2000 hours ($\phi 12.5$: 5000 hours)																										
Leakage current	The initial specified value or less																										
Percentage of capacitance change	Within ±20% of initial value																										
Tangent of the loss angle	200% or less of the initial specified value																										
Shelf life (105°C)	Test time : 1000hours ; other items are same as the endurance. Voltage application treatment : According to JIS C5101-4 4.1																										
Applicable standards	JIS C5101 - 1, - 18 (IEC 60384 - 1, - 18)																										

Outline Drawing

Unit : mm



Refer to individual page.
(Soldering conditions, Land pattern size, The taping specifications)

Coefficient of Frequency for Rated Ripple Current

$\phi 8, \phi 10$

Frequency (Hz)	50 · 60	120	1k	10k · 100k
Rated voltage (V)				
6.3 to 16	0.80	1	1.15	1.25
25 to 35	0.80	1	1.25	1.40
50 to 63	0.80	1	1.35	1.50
100	0.70	1	1.35	1.50

$\phi 12.5$

Frequency (Hz)	120	1k	10k	100k
Rated capacitance (µF)				
47	0.50	0.76	0.87	1
100 to 220	0.70	0.85	0.90	1
330 to 1000	0.80	0.93	0.98	1

Part numbering system

$\phi 8 \times 6.5L$ (example : 25V47µF)

RVJ	—	25	V	470	M	G68	U	—	
Series code		Rated voltage symbol		Rated capacitance symbol	Capacitance tolerance symbol	Casing symbol			Taping symbol

$\phi 8 \times 10L$ (example : 25V100µF) *However, in the case of 100V, should delete "M".

RVJ	—	25	V	101	M	G10	Y1U	—	
Series code		Rated voltage symbol		Rated capacitance symbol	Capacitance tolerance symbol	Casing symbol			Taping symbol

$\phi 10$ (example : 16V470µF)

RVJ	—	16	V	471	M	H10	EU	—	
Series code		Rated voltage symbol		Rated capacitance symbol	Capacitance tolerance symbol	Casing symbol			Taping symbol

$\phi 12.5$ (example : 10V1000µF)

RVJ	—	10	V	102	M	IE	ET	—	R5
Series code		Rated voltage symbol		Rated capacitance symbol	Capacitance tolerance symbol	Casing symbol			Taping symbol

*10L or more product have sleeve type (white print on a brown sleeve), but old type product. Please inquire for sleeve type P/N. However, we don't accept new orders.

Standard Ratings

Rated voltage (V) Item Rated capacitance (μF)	6.3			10			16			25			35			50			63			100			
	Case φD×L(mm)	Casing symbol	Rated ripple current (mA _{RMS})	Case φD×L(mm)	Casing symbol	Rated ripple current (mA _{RMS})	Case φD×L(mm)	Casing symbol	Rated ripple current (mA _{RMS})	Case φD×L(mm)	Casing symbol	Rated ripple current (mA _{RMS})	Case φD×L(mm)	Casing symbol	Rated ripple current (mA _{RMS})	Case φD×L(mm)	Casing symbol	Rated ripple current (mA _{RMS})	Case φD×L(mm)	Casing symbol	Rated ripple current (mA _{RMS})	Case φD×L(mm)	Casing symbol	Rated ripple current (mA _{RMS})	
10	—	—	—	—	—	—	—	—	—	—	—	—	—	—	—	—	—	—	—	—	—	—	—	—	
22	—	—	—	—	—	—	—	—	—	—	—	—	—	—	—	—	—	—	—	—	—	—	—	—	
33	—	—	—	—	—	—	—	—	—	—	—	—	—	—	—	—	—	—	—	—	—	—	—	—	
47	—	—	—	—	—	—	—	—	—	8×6.5	G68	110	8×6.5	G68	110	8×10	G10	178	10×10	H10	160	10×10	H10	133	133
													8×10	G10	178										
100	—	—	—	8×6.5	G68	110	8×6.5	G68	110	8×10	G10	178	10×10	H10	324	8×10	G10	178	125×13.5	IE	577*	—	—	—	—
							8×10	G10	178																
220	8×10	G10	178	8×10	G10	178	10×10	H10	324	10×10	H10	324	10×10	H10	324	125×13.5	IE	655*	—	—	—	—	—	—	—
330	8×10	G10	178	10×10	H10	324	10×10	H10	324	10×10	H10	324	125×13.5	IE	747*	—	—	—	—	—	—	—	—	—	—
470	10×10	H10	324	10×10	H10	324	10×10	H10	324	125×13.5	IE	747*	125×13.5	IE	747*	—	—	—	—	—	—	—	—	—	—
1000	10×10	H10	324	10×10	H10	324	125×13.5	IE	747*	—	—	—	—	—	—	—	—	—	—	—	—	—	—	—	—
	125×13.5	IE	747*	125×13.5	IE	747*				—	—	—	—	—	—	—	—	—	—	—	—	—	—	—	—

(Note) Rated ripple current : 105°C, 120Hz
 (Note*) Rated ripple current : 105°C, 100kHz

Chip type, 105°C Use, Long Life, High CV Capacitors

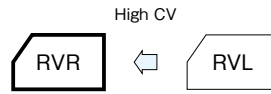
GREEN CAP

SMD

105°C
2000hours

Anti-cleaning solvent

- Compatible with surface mounting.
- Supplied with carrier taping.
- Guarantees 2000 hours 105°C.



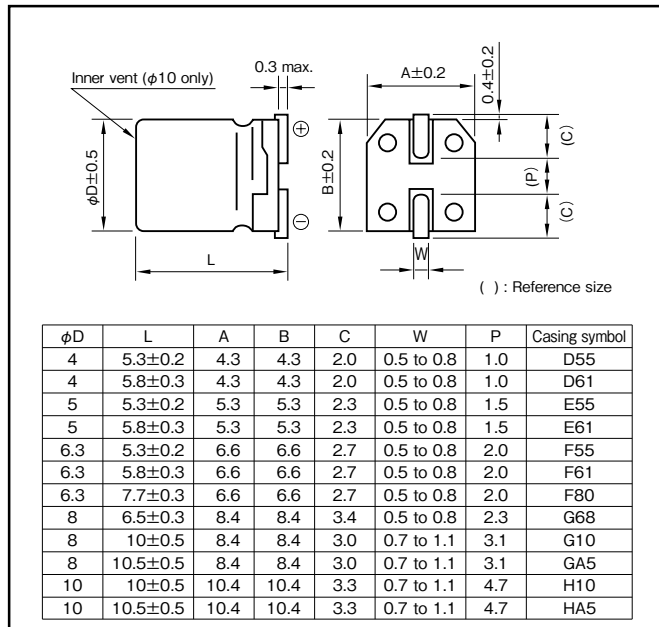
Marking color : Black print

Specifications

Item	Performance
Category temperature range (°C)	-40 to +105
Tolerance at rated capacitance (%)	±20 (20°C, 120Hz)
Leakage current (µA) (max.)	0.01 CV or 3 whichever is larger (after 2 minutes) C : Rated capacitance (µF), V : Rated voltage (V) (20°C)
Tangent of loss angle (tanδ)	Rated voltage (V)
	tanδ (max.)
Characteristics at high and low temperature	Rated voltage (V)
	Impedance ratio (max.)
Endurance (105°C) (Applied ripple current)	Test time
	Leakage current
	Percentage of capacitance change
	Tangent of loss angle
Shelf life (105°C)	Test time : 1000hours ; other items are same as the endurance. Voltage application treatment : According to JIS C5101-4 4.1
Applicable standards	JIS C5101 - 1,- 18 (IEC 60384 - 1,- 18)

Outline Drawing

Unit : mm



Refer to individual page.
(Soldering conditions, Land pattern size, The taping specifications)

Coefficient of Frequency for Rated Ripple Current

Frequency (Hz)	50 · 60	120	1k	10k · 100k
Rated voltage (V)				
6.3 to 16	0.80	1	1.15	1.25
25 to 35	0.80	1	1.25	1.40
50	0.50	1	1.35	1.50

Part numbering system (example : 16V100µF)

RVR	—	16	V	101	M	F61	U	—	
Series code		Rated voltage symbol		Rated capacitance symbol	Capacitance tolerance symbol	Casing symbol			Taping symbol

NOTE : Design, Specifications are subject to change without notice.
It is recommended that you shall obtain technical specifications from ELNA to ensure that the component is suitable for your use.

Standard Ratings

Rated voltage(V) Rated capacitance(μF)	Item	4			6.3			10			16			25				
		Case φD×L (mm)	Casing symbol	Rated ripple current (mAmps)	Case φD×L (mm)	Casing symbol	Rated ripple current (mAmps)	Case φD×L (mm)	Casing symbol	Rated ripple current (mAmps)	Case φD×L (mm)	Casing symbol	Rated ripple current (mAmps)	Case φD×L (mm)	Casing symbol	Rated ripple current (mAmps)		
4.7	—	—	—	—	—	—	—	—	—	—	—	—	—	—	—	—		
6.8	—	—	—	—	—	—	—	—	—	—	—	—	—	—	—	—		
10	—	—	—	—	—	—	—	—	—	—	—	—	—	—	—	—		
22	—	—	—	4×5.3	D55	26	4×5.8	D61	33	4×5.3	D55	25	4×5.8	D61	36			
				4×5.8	D61	28				4×5.8	D61	27						
33	—	—	—	5×5.8	E61	40	6.3×5.8	F61	74	4×5.8	D61	41	5×5.8	E61	46			
										5×5.3	E55	43	5×5.8	E61	46			
										5×5.8	E61	47	6.3×5.8	F61	66	5×5.8	E61	66
										6.3×5.3	F55	71	6.3×5.8	F61	78	6.3×5.3	F55	70
47	4×5.8	D61	42	5×5.8	E61	48	6.3×5.8	F61	95	5×5.8	E61	55	6.3×5.8	F61	82			
				6.3×5.3	F55	71				6.3×5.8	F61	78						
100	5×5.8	E61	70	5×5.8	E61	70	6.3×5.8	F61	112	6.3×5.8	F61	112	6.3×7.7	F80	132			
				6.3×5.3	F55	71				6.3×5.8	F61	99	8×6.5	G68	146			
150	—	—	—	—	—	—	6.3×5.8	F61	117	8×6.5	G68	151	—	—	—			
220	6.3×5.8	F61	121	6.3×5.8	F61	121	6.3×7.7	F80	156	6.3×7.7	F80	183	8×10	G10	320			
							8×6.5	G68	173	8×6.5	G68	157	8×10.5	GA5	340			
330	6.3×7.7	F80	163	6.3×7.7	F80	163	8×10	G10	296	8×10	G10	291	8×10.5	GA5	340			
	8×6.5	G68	181	8×6.5	G68	181	8×10.5	GA5	296	8×10	G10	348	10×10.5	HA5	490			
470	—	—	—	8×10	G10	320	8×10	G10	326	8×10	G10	348	—	—	—			
680	—	—	—	8×10.5	GA5	340	10×10	H10	440	10×10	H10	484	—	—	—			
							10×10.5	HA5	440	10×10.5	HA5	484	—	—	—			
820	—	—	—	—	—	—	—	—	—	10×10.5	HA5	484	—	—	—			
1000	—	—	—	8×10.5	GA5	370	10×10.5	HA5	500	—	—	—	—	—	—			
				10×10	H10	495												
				10×10.5	HA5	495												
1200	—	—	—	—	—	—	10×10.5	HA5	500	—	—	—	—	—	—			
1500	—	—	—	10×10.5	HA5	550	—	—	—	—	—	—	—	—	—			

Rated voltage(V) Rated capacitance(μF)	Item	35			50		
		Case φD×L (mm)	Casing symbol	Rated ripple current (mAmps)	Case φD×L (mm)	Casing symbol	Rated ripple current (mAmps)
1	—	—	—	4×5.3	D55	10	
				4×5.8	D61	12	
2.2	—	—	—	4×5.3	D55	16	
				4×5.8	D61	19	
3.3	—	—	—	4×5.3	D55	16	
				4×5.8	D61	22	
				4×5.8	D61	26	
4.7	4×5.8	D61	23	5×5.3	E55	23	
				5×5.8	E61	29	
				5×5.8	E61	29	
6.8	—	—	—	5×5.3	E55	23	
10	4×5.8	D61	30	5×5.8	E61	35	
	5×5.3	E55	28	6.3×5.3	F55	35	
	5×5.8	E61	39	6.3×5.8	F61	47	
22	5×5.8	E61	52	6.3×5.8	F61	61	
	6.3×5.3	F55	55				
33	6.3×5.8	F61	74	6.3×7.7	F80	82	
	—	—	—	8×6.5	G68	91	
47	6.3×5.8	F61	89	6.3×7.7	F80	97	
	—	—	—	8×6.5	G68	108	
68	6.3×7.7	F80	117	—	—	—	
	8×6.5	G68	130	—	—	—	
100	6.3×7.7	F80	142	8×10.5	GA5	230	
	8×6.5	G68	158				
	8×10	G10	283	10×10.5	HA5	262	
	8×10.5	GA5	283				
150	8×10	G10	293	10×10.5	HA5	300	
	8×10.5	GA5	293				
220	8×10.5	GA5	302	10×10.5	HA5	375	
	10×10	H10	450				
330	10×10.5	HA5	450	—	—	—	

(Note) Rated ripple current : 105° C, 120Hz

NOTE : Design, Specifications are subject to change without notice.
It is recommended that you shall obtain technical specifications from ELNA to ensure that the component is suitable for your use.

Chip Type, 105°C Use, Long Life Capacitors

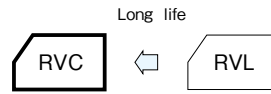
GREEN CAP

SMD

105°C
3000hours

Anti-cleaning solvent

- Compatible with surface mounting.
- Supplied with carrier taping.
- Guarantees 3000 hours at 105°C. (10L:5000 hours).



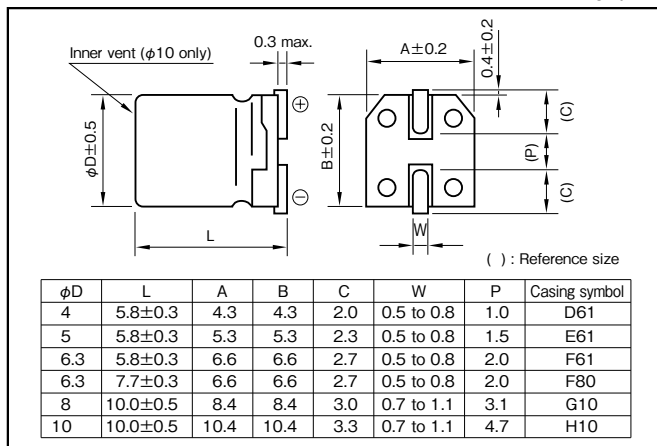
Marking color : Black print

Specifications

Item	Performance							
Category temperature range (°C)	-40 to +105							
Tolerance at rated capacitance (%)	±20 (20°C, 120Hz)							
Leakage current (µA) (max.)	0.01CV or 3 whichever is larger (after 2 minutes) C : Rated capacitance (µF), V : Rated voltage (V) (20°C)							
Tangent of loss angle (tanδ)	Rated voltage (V)	6.3	10	16	25	35	50	
	tanδ (max.)	0.28	0.24	0.20	0.16	0.13	0.12	
Characteristics at high and low temperature	Rated voltage (V)	6.3	10	16	25	35	50	
	Impedance ratio (max.)	Z-25°C/Z+20°C	4	3	2	2	2	2
		Z-40°C/Z+20°C	10	7	5	3	3	3
Endurance (105°C) (Applied ripple current)	Test time	3000 hours (10L : 5000 hours)						
	Leakage current	The initial specified value or less						
	Percentage of capacitance change	Within ±30% of initial value						
	Tangent of the loss angle	300% or less of initial specified value						
Shelf life (105°C)	Test time : 1000hours ; other items are same as the endurance. Voltage application treatment : According to JIS C5101-4 4.1							
Applicable standards	JIS C5101 - 1,- 18 (IEC 60384 - 1,- 18)							

Outline Drawing

Unit : mm



Refer to individual page.
(Soldering conditions, Land pattern size, The taping specifications)

Coefficient of Frequency for Rated Ripple Current

Rated voltage (V)	Frequency (Hz)			
	50·60	120	1k	10k·100k
6.3 to 16	0.80	1	1.15	1.25
25 to 35	0.80	1	1.25	1.40
50	1 to 3.3µF	0.50	1	1.35
	4.7 or more	0.70	1	1.35

Part numbering system (example : 16V47µF)

RVC	—	16	V	470	M	F61	U	□
Series code		Rated voltage symbol		Rated capacitance symbol	Capacitance tolerance symbol	Casing symbol		Taping symbol

Standard Ratings

Rated voltage (V)	Item	6.3			10			16			25			35			50		
		Case φD×L(mm)	Casing symbol	Rated ripple current (mA rms)	Case φD×L(mm)	Casing symbol	Rated ripple current (mA rms)	Case φD×L(mm)	Casing symbol	Rated ripple current (mA rms)	Case φD×L(mm)	Casing symbol	Rated ripple current (mA rms)	Case φD×L(mm)	Casing symbol	Rated ripple current (mA rms)	Case φD×L(mm)	Casing symbol	Rated ripple current (mA rms)
1	—	—	—	—	—	—	—	—	—	—	—	—	—	—	—	—	4×5.8	D61	10
2.2	—	—	—	—	—	—	—	—	—	—	—	—	—	—	—	—	4×5.8	D61	16
3.3	—	—	—	—	—	—	—	—	—	—	—	—	—	—	—	—	4×5.8	D61	17
4.7	—	—	—	—	—	—	—	—	—	—	—	—	—	—	—	—	4×5.8	D61	16
10	—	—	—	—	—	—	4×5.8	D61	28	—	—	—	—	—	—	—	5×5.8	E61	28
22	4×5.8	D61	26	—	—	—	5×5.8	E61	39	—	—	—	—	—	—	—	6.3×5.8	F61	55
33	—	—	—	5×5.8	E61	43	—	—	—	6.3×5.8	F61	60	6.3×7.7	F80	57	8×10	G10	91	
47	5×5.8	E61	46	—	—	—	6.3×5.8	F61	70	6.3×7.7	F80	65	—	—	—	—	8×10	G10	100
100	6.3×5.8	F61	71	—	—	—	6.3×7.7	F80	81	8×10	G10	130	—	—	—	—	10×10	H10	160
220	6.3×7.7	F80	101	8×10	G10	160	—	—	—	—	—	—	10×10	H10	220	—	—	—	
330	8×10	G10	230	—	—	—	—	—	—	10×10	H10	238	—	—	—	—	—	—	
470	—	—	—	—	—	—	10×10	H10	340	—	—	—	—	—	—	—	—	—	
1000	10×10	H10	313	—	—	—	—	—	—	—	—	—	—	—	—	—	—	—	

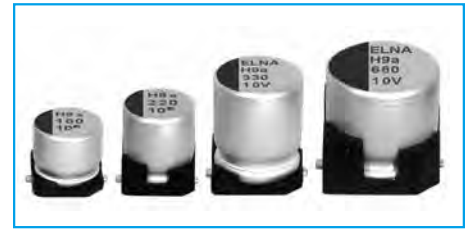
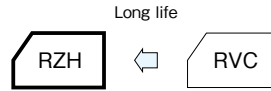
(Note) Rated ripple current : 105°C, 120Hz

RZH, RMH VERTICAL CHIP TYPE ALUMINUM ELECTROLYTIC CAPACITORS **ELNA**

Chip Type 105°C Capacitors

GREEN CAP **SMD** **105°C 7000hours** **Anti-cleaning solvent**

- Compatible with surface mounting.
- Supplied with carrier taping.
- Guaranteed 7000 hours at 105°C.
($\phi 6.3 \times 5.8L$: 5000 hours)



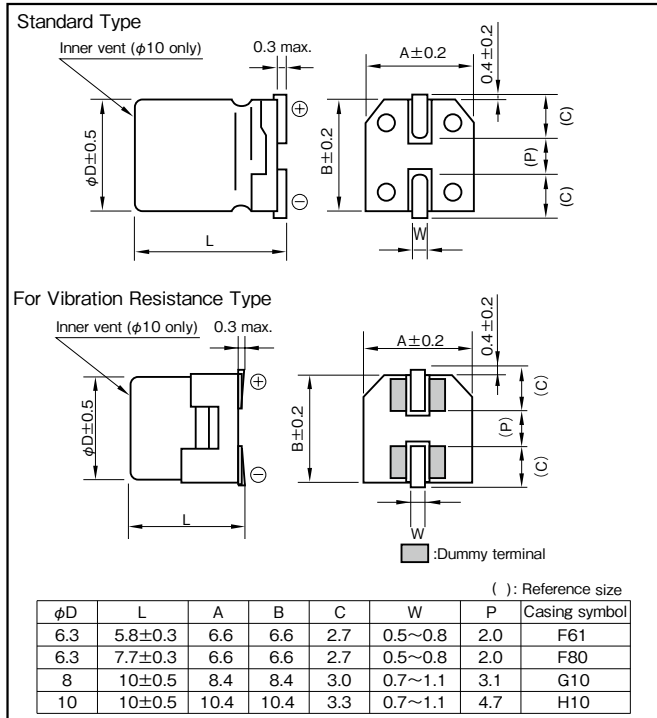
Marking color : Black print

Specifications

Item	Performance																													
Category temperature range (°C)	-55 to +105																													
Tolerance at rated capacitance (%)	±20 (20°C, 120Hz)																													
Leakage current (µA) (max.)	0.01CV or 3 whichever is larger (after 2 minutes) C : Rated capacitance (µF) ; V : Rated voltage (V) (20°C)																													
Tangent of loss angle (tanδ)	<table border="1"> <thead> <tr> <th>Rated voltage (V)</th> <th>6.3</th> <th>10</th> <th>16</th> <th>25</th> <th>35</th> </tr> </thead> <tbody> <tr> <td>tanδ (max.)</td> <td>0.32</td> <td>0.28</td> <td>0.26</td> <td>0.16</td> <td>0.14</td> </tr> </tbody> </table> <p>(20°C, 120Hz)</p>	Rated voltage (V)	6.3	10	16	25	35	tanδ (max.)	0.32	0.28	0.26	0.16	0.14																	
Rated voltage (V)	6.3	10	16	25	35																									
tanδ (max.)	0.32	0.28	0.26	0.16	0.14																									
Characteristics at high and low temperature	<table border="1"> <thead> <tr> <th rowspan="3">Impedance ratio (max.)</th> <th colspan="5">Rated voltage (V)</th> </tr> <tr> <th>6.3</th> <th>10</th> <th>16</th> <th>25</th> <th>35</th> </tr> </thead> <tbody> <tr> <td>Z-25°C/Z+20°C</td> <td>2</td> <td>2</td> <td>2</td> <td>2</td> <td>2</td> </tr> <tr> <td>Z-40°C/Z+20°C</td> <td>3</td> <td>3</td> <td>3</td> <td>3</td> <td>3</td> </tr> <tr> <td>Z-55°C/Z+20°C</td> <td>4</td> <td>4</td> <td>4</td> <td>4</td> <td>4</td> </tr> </tbody> </table> <p>(120Hz)</p>	Impedance ratio (max.)	Rated voltage (V)					6.3	10	16	25	35	Z-25°C/Z+20°C	2	2	2	2	2	Z-40°C/Z+20°C	3	3	3	3	3	Z-55°C/Z+20°C	4	4	4	4	4
Impedance ratio (max.)	Rated voltage (V)																													
	6.3		10	16	25	35																								
	Z-25°C/Z+20°C	2	2	2	2	2																								
Z-40°C/Z+20°C	3	3	3	3	3																									
Z-55°C/Z+20°C	4	4	4	4	4																									
Endurance (105°C) (Applied ripple current)	<table border="1"> <tbody> <tr> <td>Test time</td> <td>7000 hours ($\phi 6.3 \times 5.8L$: 5000 hours)</td> </tr> <tr> <td>Leakage current</td> <td>The initial specified value or less</td> </tr> <tr> <td>Percentage of capacitance change</td> <td>Within ±30% of initial value</td> </tr> <tr> <td>Tangent of the loss angle</td> <td>300% or less of the initial specified value</td> </tr> </tbody> </table>	Test time	7000 hours ($\phi 6.3 \times 5.8L$: 5000 hours)	Leakage current	The initial specified value or less	Percentage of capacitance change	Within ±30% of initial value	Tangent of the loss angle	300% or less of the initial specified value																					
Test time	7000 hours ($\phi 6.3 \times 5.8L$: 5000 hours)																													
Leakage current	The initial specified value or less																													
Percentage of capacitance change	Within ±30% of initial value																													
Tangent of the loss angle	300% or less of the initial specified value																													
Shelf life (105°C)	Test time : 1000 hours ; other items are the same as those for the endurance. Voltage application treatment : According to JIS C5101-4 4.1																													
Applicable standards	JIS C5101 - 1, - 18 (IEC 60384 - 1, - 18)																													

Outline Drawing

Unit : mm



Refer to individual page.
(Soldering conditions, Land pattern size, The taping specifications)

Coefficient of Frequency for Rated Ripple Current

Frequency (Hz)	120	1k	10k	100k
Rated voltage (V)				
6.3 to 35	0.50	0.8	0.95	1

Part numbering system

Standard Type (example : 35V100µF)

RZH	—	35	V	101	M	F80	U	□
Series code		Rated voltage symbol		Rated capacitance symbol	Capacitance tolerance symbol	Casing symbol		Taping symbol

For Vibration Resistance Type (example : 35V330µF)

RMH	—	35	V	331	M	H10	U	□
Series code		Rated voltage symbol		Rated capacitance symbol	Capacitance tolerance symbol	Casing symbol		Taping symbol

NOTE : Design, Specifications are subject to change without notice.
It is recommended that you shall obtain technical specifications from ELNA to ensure that the component is suitable for your use.

RZH, RMH VERTICAL CHIP TYPE ALUMINUM ELECTROLYTIC CAPACITORS **ELNA**

Standard Ratings

Rated voltage(V) Rated capacitance(μF) Item	6.3				10				16				25			
	Case φD×L (mm)	Casing symbol	ESR (Ω max.)	Rated ripple current (mA rms)	Case φD×L (mm)	Casing symbol	ESR (Ω max.)	Rated ripple current (mA rms)	Case φD×L (mm)	Casing symbol	ESR (Ω max.)	Rated ripple current (mA rms)	Case φD×L (mm)	Casing symbol	ESR (Ω max.)	Rated ripple current (mA rms)
33	—	—	—	—	—	—	—	—	—	—	—	—	6.3×5.8	F61	1.10	140
47	—	—	—	—	—	—	—	—	6.3×5.8	F61	1.10	140	6.3×5.8	F61	1.10	140
100	6.3×5.8	F61	1.10	140	6.3×5.8	F61	1.10	140	6.3×5.8	F61	1.10	140	6.3×7.7	F80	1.00	230
150	6.3×5.8	F61	1.10	140	6.3×5.8	F61	1.10	140	6.3×5.8	F61	1.10	140	8×10	G10	0.22	600
220	6.3×7.7	F80	1.00	230	6.3×7.7	F80	1.00	230	6.3×7.7	F80	1.00	230	8×10	G10	0.22	600
330	6.3×7.7	F80	1.00	230	8×10	G10	0.22	600	8×10	G10	0.22	600	8×10	G10	0.22	600
470	8×10	G10	0.22	600	8×10	G10	0.22	600	8×10	G10	0.22	600	8×10	G10	0.22	600
									10×10	H10	0.16	850	10×10	H10	0.16	850
680	10×10	H10	0.16	850	10×10	H10	0.16	850	10×10	H10	0.16	850	—	—	—	—
1000	10×10	H10	0.16	850	—	—	—	—	—	—	—	—	—	—	—	—

Rated voltage(V) Rated capacitance(μF) Item	35			
	Case φD×L (mm)	Casing symbol	ESR (Ω max.)	Rated ripple current (mA rms)
22	6.3×5.8	F61	1.10	140
33	6.3×5.8	F61	1.10	140
	6.3×7.7	F80	1.00	230
47	6.3×7.7	F80	1.00	230
100	6.3×7.7	F80	1.00	230
150	8×10	G10	0.22	600
220	8×10	G10	0.22	600
330	10×10	H10	0.16	850

(Note) Rated ripple current : 105°C , 100kHz ; ESR : 20°C , 100kHz

Chip Type, 105°C Use, Low ESR Capacitors

GREEN CAP

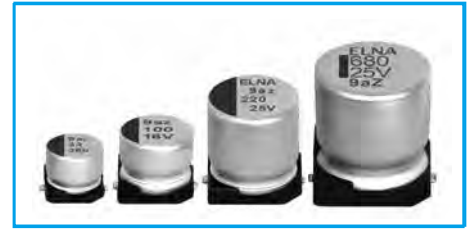
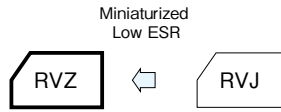
SMD

Low ESR

105°C
5000hours

Anti-cleaning solvent

- Compatible with surface mounting.
- Supplied with carrier taping.
- Guarantees 5000 hours at 105°C.
($\phi 8 \times 6.5L$ or less : 1000hours)
($\phi 8 \times 10L$ to $\phi 10$: 2000hours)



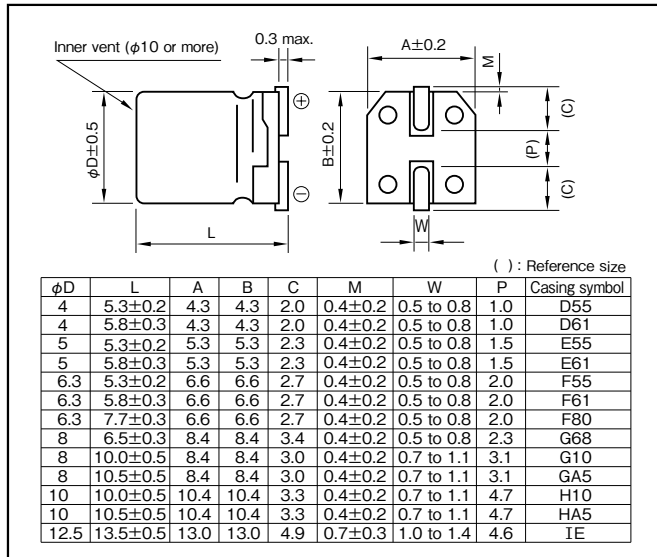
Marking color : Black print

Specifications

Item	Performance																			
Category temperature range (°C)	-55 to +105																			
Tolerance at rated capacitance (%)	±20 (20°C, 120Hz)																			
Leakage current (µA) (max.)	0.01CV or 3 whichever is larger (after 2 minutes) C : Rated capacitance (µF) ; V : Rated voltage (V) (20°C)																			
Tangent of loss angle (tanδ)	<table border="1"> <tr> <th>Rated voltage (V)</th> <td>6.3</td> <td>10</td> <td>16</td> <td>25</td> <td>35</td> </tr> <tr> <th>tanδ (max.)</th> <td>0.28</td> <td>0.24</td> <td>0.20</td> <td>0.16</td> <td>0.14</td> </tr> </table>	Rated voltage (V)	6.3	10	16	25	35	tanδ (max.)	0.28	0.24	0.20	0.16	0.14							
	Rated voltage (V)	6.3	10	16	25	35														
tanδ (max.)	0.28	0.24	0.20	0.16	0.14															
0.02 is added to every 1000µF increase over 1000µF. (20°C, 120Hz)																				
Characteristics at high and low temperature	<table border="1"> <tr> <th>Rated voltage (V)</th> <td>6.3</td> <td>10</td> <td>16</td> <td>25</td> <td>35</td> </tr> <tr> <th rowspan="2">Impedance ratio (max.)</th> <td>Z-25°C/Z+20°C</td> <td>4</td> <td>3</td> <td>2</td> <td>2</td> <td>2</td> </tr> <tr> <td>Z-55°C/Z+20°C</td> <td>8</td> <td>5</td> <td>4</td> <td>3</td> <td>3</td> </tr> </table>	Rated voltage (V)	6.3	10	16	25	35	Impedance ratio (max.)	Z-25°C/Z+20°C	4	3	2	2	2	Z-55°C/Z+20°C	8	5	4	3	3
	Rated voltage (V)	6.3	10	16	25	35														
Impedance ratio (max.)	Z-25°C/Z+20°C	4	3	2	2	2														
	Z-55°C/Z+20°C	8	5	4	3	3														
(120Hz)																				
Endurance (105°C) (Applied ripple current)	Test time	1000 hours ($\phi 8 \times 6.5L$ or less) 2000 hours ($\phi 8 \times 10L$ to $\phi 10$) 5000 hours ($\phi 12.5$)																		
	Leakage current	The initial specified value or less																		
	Percentage of capacitance change	Within ±25% of initial value																		
	Tangent of the loss angle	200% or less of initial specified value																		
Shelf life (105°C)	Test time : 1000hours ; other items are same as the endurance. Voltage application treatment : According to JIS C5101-4 4.1																			
Applicable standards	JIS C5101 - 1,- 18 (IEC 60384 - 1,- 18)																			

Outline Drawing

Unit : mm



Refer to individual page.
(Soldering conditions, Land pattern size, The taping specifications)

Coefficient of Frequency for Rated Ripple Current

Rated voltage (V)	Frequency (Hz)			
	120	1k	10k	100k
6.3 to 35	0.50	0.75	0.90	1

Part numbering system

φ 8×6.5L and φ 6.3 or less (example : 6.3V330µF)

RVZ	—	6	V	331	M	G68	U	—	□
Series code		Rated voltage symbol		Rated capacitance symbol	Capacitance tolerance symbol	Casing symbol			Taping symbol

φ 8×10L, φ 8×10.5L (example : 10V220µF)

RVZ	—	10	V	221	M	G10	Y1U	—	□
Series code		Rated voltage symbol		Rated capacitance symbol	Capacitance tolerance symbol	Casing symbol			Taping symbol

φ 10 (example : 16V330µF)

RVZ	—	16	V	331	M	H10	EU	—	□
Series code		Rated voltage symbol		Rated capacitance symbol	Capacitance tolerance symbol	Casing symbol			Taping symbol

φ 12.5 (example : 25V680µF)

RVZ	—	25	V	681	M	IE	T	—	R5
Series code		Rated voltage symbol		Rated capacitance symbol	Capacitance tolerance symbol	Casing symbol			Taping symbol

- * In the case of "for High Temperature Reflow" type, a series name is "RZA". ($\phi 4$ to $\phi 10$)
- * If "For Vibration Resistance" type is required, please see the series RTZ.
- * $\phi 8 \times 10L$ - $\phi 10 \times 10L$ product have sleeve type (white print on a brown sleeve), but old type product. Please inquire for sleeve type P/N. However, we don't accept new orders.

Standard Ratings

Rated voltage (V) Rated capacitance (μF) Item	6.3				10				16				25				35			
	Case φDXL (mm)	Casing symbol	ESR (Ω max.)	Rated ripple current (mA rms)	Case φDXL (mm)	Casing symbol	ESR (Ω max.)	Rated ripple current (mA rms)	Case φDXL (mm)	Casing symbol	ESR (Ω max.)	Rated ripple current (mA rms)	Case φDXL (mm)	Casing symbol	ESR (Ω max.)	Rated ripple current (mA rms)	Case φDXL (mm)	Casing symbol	ESR (Ω max.)	Rated ripple current (mA rms)
4.7	—	—	—	—	—	—	—	—	—	—	—	—	4×5.3	D55	3.20	65	4×5.3	D55	3.20	65
10	—	—	—	—	4×5.3	D55	3.20	65	4×5.3	D55	3.20	65	4×5.8	D61	1.80	80	5×5.3	E55	1.50	110
													5×5.3	E55	1.50	110	5×5.8	E61	0.76	150
15	—	—	—	—	—	—	—	—	4×5.8	D61	1.80	80	5×5.8	E61	0.76	150	5×5.8	E61	0.76	150
22	4×5.3	D55	3.20	65	4×5.8	D61	1.80	80	5×5.3	E55	1.50	110	5×5.8	E61	0.76	150	6.3×5.3	F55	0.85	170
	4×5.8	D61	1.80	80	5×5.3	E55	1.50	110	5×5.8	E61	0.76	150	6.3×5.3	F55	0.85	170	6.3×5.3	F55	0.85	170
33	5×5.3	E55	1.50	110	5×5.3	E55	1.50	110	6.3×5.3	F55	0.85	170	6.3×5.3	F55	0.85	170	6.3×5.3	F55	0.85	170
	5×5.8	E61	0.76	150	5×5.8	E61	0.76	150	6.3×5.8	F61	0.44	230	6.3×5.8	F61	0.44	230	6.3×5.8	F61	0.44	230
47	5×5.3	E55	1.50	110	6.3×5.3	F55	0.85	170	6.3×5.3	F55	0.85	170	6.3×5.3	F55	0.85	170	6.3×5.8	F61	0.44	230
	5×5.8	E61	0.76	150	6.3×5.8	F61	0.44	230	6.3×5.8	F61	0.44	230	6.3×5.8	F61	0.44	230	6.3×7.7	F80	0.34	280
68	6.3×5.8	F61	0.44	230	6.3×5.8	F61	0.44	230	6.3×5.8	F61	0.44	230	6.3×5.8	F61	0.44	230	6.3×7.7	F80	0.34	280
																	8×6.5	G68	0.34	280
100	6.3×5.3	F55	0.85	170	6.3×5.3	F55	0.85	170	6.3×5.3	F55	0.85	170	6.3×7.7	F80	0.34	280	8×10	G10	0.20	450
	6.3×5.8	F61	0.44	230	6.3×5.8	F61	0.44	230	8×6.5	G68	0.34	280	8×6.5	G68	0.34	280	8×10.5	GA5	0.17	450
150	6.3×5.8	F61	0.44	230	6.3×5.8	F61	0.44	230	6.3×7.7	F80	0.34	280	8×10	G10	0.20	450	8×10.5	GA5	0.17	450
									8×6.5	G68	0.34	280	8×10.5	GA5	0.17	450	10×10	H10	0.10	670
220	6.3×5.8	F61	0.44	230	6.3×7.7	F80	0.34	280	6.3×7.7	F80	0.34	280	8×10.5	GA5	0.17	450	8×10.5	GA5	0.17	450
	6.3×7.7	F80	0.34	280	8×6.5	G68	0.34	280	8×10	G10	0.20	450	10×10	H10	0.10	670	10×10	H10	0.10	670
330	6.3×7.7	F80	0.34	280	8×10.5	GA5	0.17	450	8×10.5	GA5	0.17	450	8×10.5	GA5	0.17	450	10×10.5	HA5	0.09	670
	8×6.5	G68	0.34	280	10×10	H10	0.10	670	10×10	H10	0.10	670	10×10	H10	0.10	670				
470	8×10.5	GA5	0.17	450	8×10.5	GA5	0.17	450	8×10.5	GA5	0.17	450	10×10.5	HA5	0.09	670	12.5×13.5	IE	0.06	1100
	10×10	H10	0.10	670	10×10	H10	0.10	670	10×10	H10	0.10	670								
680	8×10.5	GA5	0.17	450	10×10.5	HA5	0.09	670	10×10.5	HA5	0.09	670	12.5×13.5	IE	0.06	1100	12.5×13.5	IE	0.06	1100
1000	8×10.5	GA5	0.17	450	10×10.5	HA5	0.09	670	12.5×13.5	IE	0.06	1100	12.5×13.5	IE	0.06	1100	—	—	—	—
	10×10	H10	0.10	670																
1500	10×10.5	HA5	0.09	670	12.5×13.5	IE	0.06	1100	12.5×13.5	IE	0.06	1100	—	—	—	—	—	—	—	—
2200	12.5×13.5	IE	0.06	1100	12.5×13.5	IE	0.06	1100	—	—	—	—	—	—	—	—	—	—	—	—
2700	12.5×13.5	IE	0.06	1100	—	—	—	—	—	—	—	—	—	—	—	—	—	—	—	—

(Note) Rated ripple current : 105°C, 100kHz ; ESR : 20°C, 100kHz

NOTE : Design, Specifications are subject to change without notice.
It is recommended that you shall obtain technical specifications from ELNA to ensure that the component is suitable for your use.

Chip Type, 105°C Use, Low ESR, Long Life Capacitors

GREEN CAP

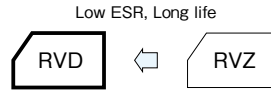
SMD

Low ESR

105°C
5000hours

Anti-cleaning solvent

- Compatible with surface mounting.
- Supplied with carrier taping.
- Guarantees 2000 hours at 105°C.
(6.3V to 50V 10.0L,10.5L:5000 hours)
(φ12.5 : 5000 hours)



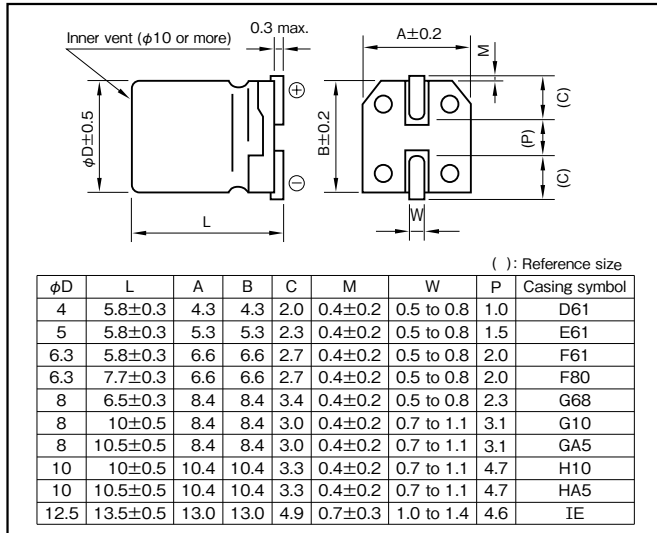
Marking color : Black print

Specifications

Item	Performance																																						
Category temperature range (°C)	-55 to +105																																						
Tolerance at rated capacitance (%)	±20 (20°C,120Hz)																																						
Leakage current (μA) (max.)	0.01CV or 3 whichever is larger (after 2 minutes) C : Rated capacitance (μF), V : Rated voltage (V) (20°C)																																						
Tangent of loss angle (tanδ)	<table border="1"> <thead> <tr> <th>Rated voltage (V)</th> <th>6.3</th> <th>10</th> <th>16</th> <th>25</th> <th>35</th> <th>50</th> <th>63</th> <th>80</th> <th>100</th> </tr> </thead> <tbody> <tr> <td>tanδ (max.)</td> <td>0.26</td> <td>0.19</td> <td>0.16</td> <td>0.14</td> <td>0.12</td> <td>0.10</td> <td>0.08</td> <td>0.08</td> <td>0.07</td> </tr> </tbody> </table> <p>0.02 is added to every 1000μF increase over 1000μF. (20°C,120Hz)</p>	Rated voltage (V)	6.3	10	16	25	35	50	63	80	100	tanδ (max.)	0.26	0.19	0.16	0.14	0.12	0.10	0.08	0.08	0.07																		
Rated voltage (V)	6.3	10	16	25	35	50	63	80	100																														
tanδ (max.)	0.26	0.19	0.16	0.14	0.12	0.10	0.08	0.08	0.07																														
Characteristics at high and low temperature	<table border="1"> <thead> <tr> <th>Rated voltage (V)</th> <th>6.3</th> <th>10</th> <th>16</th> <th>25</th> <th>35</th> <th>50</th> <th>63</th> <th>80</th> <th>100</th> </tr> </thead> <tbody> <tr> <td rowspan="3">Impedance ratio (max.)</td> <td>Z-25°C/Z+20°C</td> <td>2</td> <td>2</td> <td>2</td> <td>2</td> <td>2</td> <td>2</td> <td>2</td> <td>2</td> </tr> <tr> <td>Z-40°C/Z+20°C</td> <td>3</td> <td>3</td> <td>3</td> <td>3</td> <td>3</td> <td>3</td> <td>3</td> <td>3</td> </tr> <tr> <td>Z-55°C/Z+20°C</td> <td>8</td> <td>4</td> <td>4</td> <td>3</td> <td>3</td> <td>3</td> <td>3</td> <td>3</td> </tr> </tbody> </table> <p>(120Hz)</p>	Rated voltage (V)	6.3	10	16	25	35	50	63	80	100	Impedance ratio (max.)	Z-25°C/Z+20°C	2	2	2	2	2	2	2	2	Z-40°C/Z+20°C	3	3	3	3	3	3	3	3	Z-55°C/Z+20°C	8	4	4	3	3	3	3	3
Rated voltage (V)	6.3	10	16	25	35	50	63	80	100																														
Impedance ratio (max.)	Z-25°C/Z+20°C	2	2	2	2	2	2	2	2																														
	Z-40°C/Z+20°C	3	3	3	3	3	3	3	3																														
	Z-55°C/Z+20°C	8	4	4	3	3	3	3	3																														
Endurance (105°C) (Applied ripple current)	<table border="1"> <tbody> <tr> <td>Test time</td> <td>2000 hours (φ12.5, 6.3V to 50V 10.0L,10.5L : 5000 hours)</td> </tr> <tr> <td>Leakage current</td> <td>The initial specified value or less</td> </tr> <tr> <td>Percentage of capacitance change</td> <td>Within ±30% of initial value</td> </tr> <tr> <td>Tangent of the loss angle</td> <td>200% or less of the initial specified value (φ12.5, 6.3V to 50V 10.0L,10.5L : 300% or less)</td> </tr> </tbody> </table>	Test time	2000 hours (φ12.5, 6.3V to 50V 10.0L,10.5L : 5000 hours)	Leakage current	The initial specified value or less	Percentage of capacitance change	Within ±30% of initial value	Tangent of the loss angle	200% or less of the initial specified value (φ12.5, 6.3V to 50V 10.0L,10.5L : 300% or less)																														
Test time	2000 hours (φ12.5, 6.3V to 50V 10.0L,10.5L : 5000 hours)																																						
Leakage current	The initial specified value or less																																						
Percentage of capacitance change	Within ±30% of initial value																																						
Tangent of the loss angle	200% or less of the initial specified value (φ12.5, 6.3V to 50V 10.0L,10.5L : 300% or less)																																						
Shelf life (105°C)	Test time : 1000hours ; other items are same as the endurance. Voltage application treatment : According to JIS C5101-4 4.1																																						
Applicable standards	JIS C5101 - 1,- 18 (IEC 60384 - 1,- 18)																																						

Outline Drawing

Unit : mm



Refer to individual page.
(Soldering conditions, Land pattern size, The taping specifications)

Coefficient of Frequency for Rated Ripple Current

Frequency (Hz)	50 · 60	120	1k	10k · 100k
Rated voltage (V)	0.50	0.50	0.75	1
6.3 to 100				

Part numbering system

φ 10 or less (example : 16V100μF)

RVD	16	V	101	M	F61	U	
Series code	Rated voltage symbol		Rated capacitance symbol	Capacitance tolerance symbol	Casing symbol		Taping symbol

φ 12.5 (example : 16V1000μF)

RVD	16	V	102	M	IE	T	R5
Series code	Rated voltage symbol		Rated capacitance symbol	Capacitance tolerance symbol	Casing symbol		Taping symbol

*In the case of "for High Temperature Reflow" type, a series name is "RZB". (φ 4 to φ 10)
*If "For Vibration Resistance" type is required, please see the series RTD.

Standard Ratings

Rated voltage (V)	Item	6.3				10				16			
		Case φD×L (mm)	Casing symbol	ESR (Ω max.)	Rated ripple current (mA _{rms})	Case φD×L (mm)	Casing symbol	ESR (Ω max.)	Rated ripple current (mA _{rms})	Case φD×L (mm)	Casing symbol	ESR (Ω max.)	Rated ripple current (mA _{rms})
10	—	—	—	—	—	—	—	—	—	4×5.8	D61	1.35	90
22	4×5.8	D61	1.35	90	4×5.8	D61	1.35	90	4×5.8	D61	1.35	90	
33	—	—	—	—	4×5.8	D61	1.35	90	5×5.8	E61	0.70	170	
					5×5.8	E61	0.70	170	—	—	—	—	
47	4×5.8	D61	1.35	90	—	—	—	—	5×5.8	E61	0.70	170	
	5×5.8	E61	0.70	170					6.3×5.8	F61	0.36	250	
100	5×5.8	E61	0.70	170	—	—	—	—	6.3×5.8	F61	0.36	250	
	6.3×5.8	F61	0.36	250					—	—	—	—	
220	6.3×5.8	F61	0.36	250	6.3×7.7	F80	0.30	300	6.3×7.7	F80	0.30	300	
					8×6.5	G68	0.30	300	8×6.5	G68	0.30	300	
330	6.3×7.7	F80	0.30	300	8×10	G10	0.16	600	8×10	G10	0.16	600	
	8×6.5	G68	0.30	300					10×10	H10	0.090	850	
470	8×10	G10	0.16	600	8×10	G10	0.16	600	8×10	G10	0.16	600	
680	—	—	—	—	8×10	G10	0.16	600	10×10	H10	0.090	850	
									10×10.5	HA5	0.080	850	
1000	8×10	G10	0.16	600	10×10	H10	0.090	850	125×135	IE	0.054	1160	
					10×10.5	HA5	0.080	850					
1500	10×10	H10	0.090	850	125×135	IE	0.054	1160	125×135	IE	0.054	1160	
	10×10.5	HA5	0.080	850									
2200	125×135	IE	0.054	1160	125×135	IE	0.054	1160	—	—	—	—	

Rated voltage (V)	Item	25				35				50			
		Case φD×L (mm)	Casing symbol	ESR (Ω max.)	Rated ripple current (mA _{rms})	Case φD×L (mm)	Casing symbol	ESR (Ω max.)	Rated ripple current (mA _{rms})	Case φD×L (mm)	Casing symbol	ESR (Ω max.)	Rated ripple current (mA _{rms})
4.7	—	—	—	—	4×5.8	D61	1.35	90	4×5.8	D61	2.7	60	
10	4×5.8	D61	1.35	90	4×5.8	D61	1.35	90	5×5.8	E61	1.5	90	
					5×5.8	E61	0.70	170	6.3×5.8	F61	0.86	170	
22	5×5.8	E61	0.70	170	5×5.8	E61	0.70	170	6.3×5.8	F61	0.86	170	
33	5×5.8	E61	0.70	170	6.3×5.8	F61	0.36	250	6.3×7.7	F80	0.66	195	
	6.3×5.8	F61	0.36	250					8×6.5	G68	0.63	200	
47	6.3×5.8	F61	0.36	250	6.3×5.8	F61	0.36	250	6.3×7.7	F80	0.66	195	
									8×6.5	G68	0.63	200	
100	6.3×7.7	F80	0.30	300	6.3×7.7	F80	0.30	300	8×10	G10	0.34	350	
	8×6.5	G68	0.30	300	8×10	G10	0.16	600	8×10.5	GA5	0.32	350	
220	8×10	G10	0.16	600	8×10	G10	0.16	600	10×10	H10	0.20	700	
									10×10.5	HA5	0.18	700	
330	8×10	G10	0.16	600	10×10	H10	0.090	850	125×135	IE	0.12	900	
					10×10.5	HA5	0.080	850					
470	10×10	H10	0.090	850	125×135	IE	0.054	1160	—	—	—	—	
680	125×135	IE	0.054	1160	125×135	IE	0.054	1160	—	—	—	—	
1000	125×135	IE	0.054	1160	—	—	—	—	—	—	—	—	

Rated voltage (V)	Item	63				80				100			
		Case φD×L (mm)	Casing symbol	ESR (Ω max.)	Rated ripple current (mA _{rms})	Case φD×L (mm)	Casing symbol	ESR (Ω max.)	Rated ripple current (mA _{rms})	Case φD×L (mm)	Casing symbol	ESR (Ω max.)	Rated ripple current (mA _{rms})
4.7	5×5.8	E61	3.0	50	—	—	—	—	—	—	—	—	
10	6.3×5.8	F61	1.5	80	6.3×7.7	F80	2.4	60	—	—	—	—	
22	6.3×7.7	F80	1.2	120	8×10	G10	0.90	130	8×10	G10	1.30	130	
33	8×10	G10	0.65	250	8×10	G10	0.90	130	10×10	H10	0.70	200	
47	8×10	G10	0.65	250	10×10	H10	0.50	200	—	—	—	—	
68	8×10	G10	0.65	250	—	—	—	—	—	—	—	—	
100	10×10	H10	0.35	400	125×135	IE	0.18	550	—	—	—	—	
	125×135	IE	0.16	600									
220	125×135	IE	0.16	600	—	—	—	—	—	—	—	—	

(Note) Rated ripple current : 105°C, 100kHz
ESR : 20°C, 100kHz

NOTE : Design, Specifications are subject to change without notice.
It is recommended that you shall obtain technical specifications from ELNA to ensure that the component is suitable for your use.

Chip Type, 105°C Use, Low ESR Capacitors

GREEN CAP

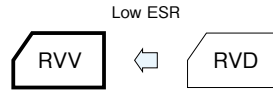
SMD

Low ESR

105°C
2000hours

Anti-cleaning solvent

- Compatible with surface mounting.
- Supplied with carrier taping.
- Guarantees 2000 hours at 105°C.



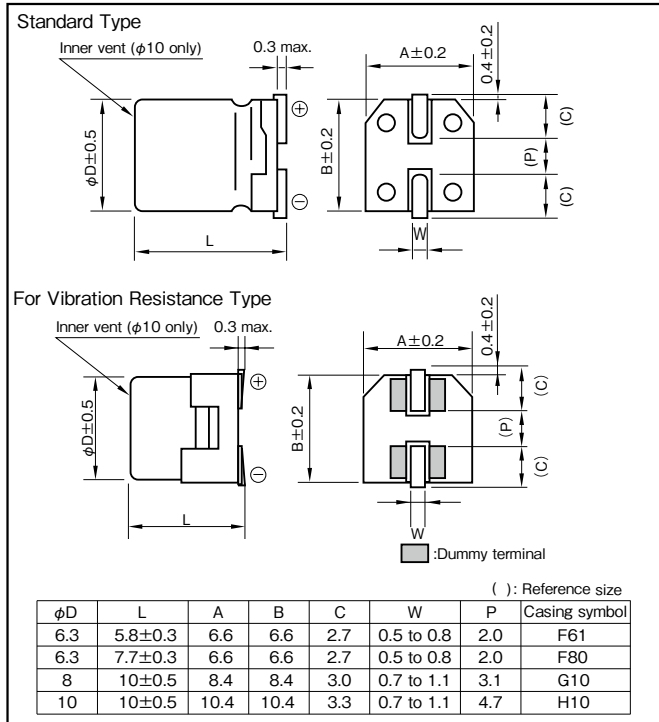
Marking color : Black print

Specifications

Item	Performance																																	
Category temperature range (°C)	-55 to +105																																	
Tolerance at rated capacitance (%)	±20 (20°C, 120Hz)																																	
Leakage current (µA) (max.)	0.01CV or 3 whichever is larger (after 2 minutes) C : Rated capacitance (µF), V : Rated voltage (V) (20°C)																																	
Tangent of loss angle (tanδ)	<table border="1"> <thead> <tr> <th>Rated voltage (V)</th> <th>6.3</th> <th>10</th> <th>16</th> <th>25</th> <th>35</th> <th>50</th> </tr> </thead> <tbody> <tr> <td>tanδ (max.)</td> <td>0.26</td> <td>0.19</td> <td>0.16</td> <td>0.14</td> <td>0.12</td> <td>0.10</td> </tr> </tbody> </table> <p>(20°C, 120Hz)</p>	Rated voltage (V)	6.3	10	16	25	35	50	tanδ (max.)	0.26	0.19	0.16	0.14	0.12	0.10																			
Rated voltage (V)	6.3	10	16	25	35	50																												
tanδ (max.)	0.26	0.19	0.16	0.14	0.12	0.10																												
Characteristics at high and low temperature	<table border="1"> <thead> <tr> <th rowspan="3">Impedance ratio (max.)</th> <th colspan="2">Rated voltage (V)</th> <th>6.3</th> <th>10</th> <th>16</th> <th>25</th> <th>35</th> <th>50</th> </tr> </thead> <tbody> <tr> <td>Z-25°C/Z+20°C</td> <td>2</td> <td>2</td> <td>2</td> <td>2</td> <td>2</td> <td>2</td> <td>2</td> </tr> <tr> <td>Z-40°C/Z+20°C</td> <td>3</td> <td>3</td> <td>3</td> <td>3</td> <td>3</td> <td>3</td> <td>3</td> </tr> <tr> <td>Z-55°C/Z+20°C</td> <td>4</td> <td>4</td> <td>4</td> <td>3</td> <td>3</td> <td>3</td> <td>3</td> </tr> </tbody> </table> <p>(120Hz)</p>	Impedance ratio (max.)	Rated voltage (V)		6.3	10	16	25	35	50	Z-25°C/Z+20°C	2	2	2	2	2	2	2	Z-40°C/Z+20°C	3	3	3	3	3	3	3	Z-55°C/Z+20°C	4	4	4	3	3	3	3
Impedance ratio (max.)	Rated voltage (V)		6.3	10	16	25	35	50																										
	Z-25°C/Z+20°C		2	2	2	2	2	2	2																									
	Z-40°C/Z+20°C	3	3	3	3	3	3	3																										
Z-55°C/Z+20°C	4	4	4	3	3	3	3																											
Endurance (105°C) (Applied ripple current)	<table border="1"> <tbody> <tr> <td>Test time</td> <td>2000 hours</td> </tr> <tr> <td>Leakage current</td> <td>The initial specified value or less</td> </tr> <tr> <td>Percentage of capacitance change</td> <td>Within ±30% of initial value</td> </tr> <tr> <td>Tangent of the loss angle</td> <td>200% or less of initial specified value</td> </tr> </tbody> </table>	Test time	2000 hours	Leakage current	The initial specified value or less	Percentage of capacitance change	Within ±30% of initial value	Tangent of the loss angle	200% or less of initial specified value																									
Test time	2000 hours																																	
Leakage current	The initial specified value or less																																	
Percentage of capacitance change	Within ±30% of initial value																																	
Tangent of the loss angle	200% or less of initial specified value																																	
Shelf life (105°C)	Test time : 1000hours ; other items are same as the endurance. Voltage application treatment : According to JIS C5101-4 4.1																																	
Applicable standards	JIS C5101 - 1,- 18 (IEC 60384 - 1,- 18)																																	

Outline Drawing

Unit : mm



Refer to individual page.

(Soldering conditions, Land pattern size, The taping specifications)

Coefficient of Frequency for Rated Ripple Current

Frequency (Hz)	50 · 60	120	1k	10k · 100k
Rated voltage (V)				
6.3 to 50	0.50	0.50	0.75	1

Part numbering system

Standard Type (example : 16V100µF)

RVV	—	16	V	101	M	F61	U	□
Series code		Rated voltage symbol		Rated capacitance symbol	Capacitance tolerance symbol	Casing symbol		Taping symbol

For Vibration Resistance Type (example : 25V470µF)

RTV	—	25	V	471	M	H10	U	□
Series code		Rated voltage symbol		Rated capacitance symbol	Capacitance tolerance symbol	Casing symbol		Taping symbol

Standard Ratings

Rated voltage (V)	Item	6.3				10				16			
		Case $\phi D \times L$ (mm)	Casing symbol	ESR (Ω max.)	Rated ripple current (mA rms)	Case $\phi D \times L$ (mm)	Casing symbol	ESR (Ω max.)	Rated ripple current (mA rms)	Case $\phi D \times L$ (mm)	Casing symbol	ESR (Ω max.)	Rated ripple current (mA rms)
47	—	—	—	—	—	—	—	—	—	6.3 × 5.8	F61	0.26	300
100	6.3 × 5.8	F61	0.26	300	—	—	—	—	—	6.3 × 5.8	F61	0.26	300
										6.3 × 7.7	F80	0.16	600
220	6.3 × 5.8	F61	0.26	300	6.3 × 7.7	F80	0.16	600	6.3 × 7.7	F80	0.16	600	
330	6.3 × 7.7	F80	0.16	600	8 × 10	G10	0.09	850	8 × 10	G10	0.09	850	
470	8 × 10	G10	0.09	850	8 × 10	G10	0.09	850	8 × 10	G10	0.09	850	
680	—	—	—	—	8 × 10	G10	0.09	850	10 × 10	H10	0.07	1190	
1000	8 × 10	G10	0.09	850	10 × 10	H10	0.07	1190	—	—	—	—	
1500	10 × 10	H10	0.07	1190	—	—	—	—	—	—	—	—	

Rated voltage (V)	Item	25				35				50			
		Case $\phi D \times L$ (mm)	Casing symbol	ESR (Ω max.)	Rated ripple current (mA rms)	Case $\phi D \times L$ (mm)	Casing symbol	ESR (Ω max.)	Rated ripple current (mA rms)	Case $\phi D \times L$ (mm)	Casing symbol	ESR (Ω max.)	Rated ripple current (mA rms)
33	6.3 × 5.8	F61	0.26	300	6.3 × 5.8	F61	0.26	300	—	—	—	—	
47	6.3 × 5.8	F61	0.26	300	6.3 × 5.8	F61	0.26	300	—	—	—	—	
100	6.3 × 7.7	F80	0.16	600	6.3 × 7.7	F80	0.16	600	8 × 10	G10	0.18	670	
					8 × 10	G10	0.09	850					
220	8 × 10	G10	0.09	850	8 × 10	G10	0.09	850	8 × 10	G10	0.18	670	
330	8 × 10	G10	0.09	850	10 × 10	H10	0.07	1190	—	—	—	—	
470	10 × 10	H10	0.07	1190	—	—	—	—	—	—	—	—	

(Note) Rated ripple current : 105°C , 100kHz
ESR : 20°C , 100kHz

RZD, RMD VERTICAL CHIP TYPE ALUMINUM ELECTROLYTIC CAPACITORS **ELNA**

Chip Type, 105°C Use, Low ESR, High CV Capacitors

GREEN CAP

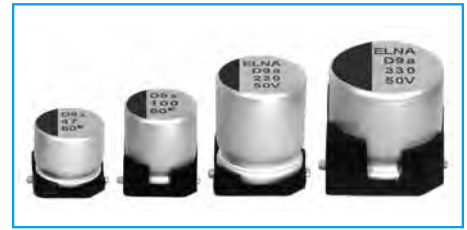
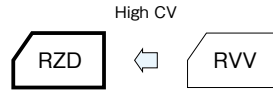
SMD

Low ESR

105°C
2000hours

Anti-cleaning solvent

- Compatible with surface mounting.
- Supplied with carrier taping.
- Guaranteed 2000 hours at 105°C.



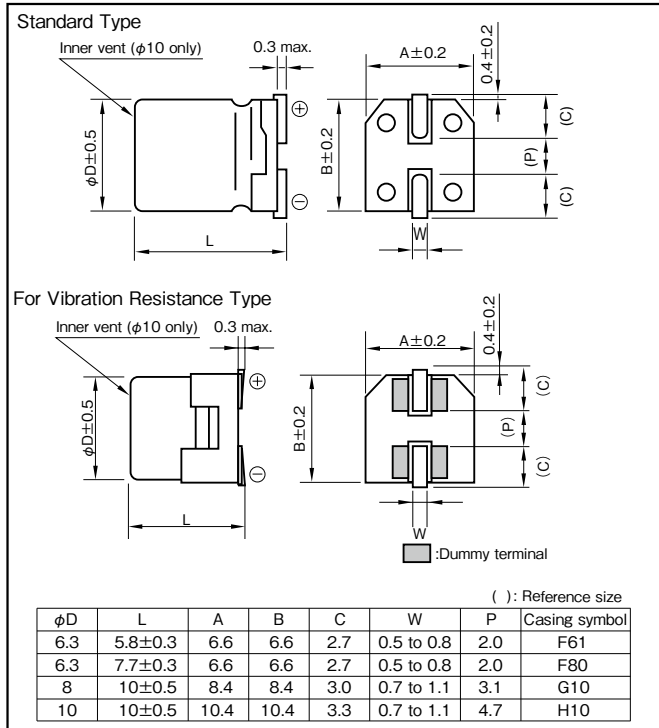
Marking color : Black print

Specifications

Item	Performance																																																																			
Category temperature range (°C)	-55 to +105																																																																			
Tolerance at rated capacitance (%)	±20 (20°C, 120Hz)																																																																			
Leakage current (µA) (max.)	0.01CV or 3 whichever is larger (after 2 minutes) C : Rated capacitance (µF), V : Rated voltage (V) (20°C)																																																																			
Tangent of loss angle (tanδ)	<table border="1"> <thead> <tr> <th>Rated voltage (V)</th> <th>6.3</th> <th>10</th> <th>16</th> <th>25</th> <th>35</th> <th>50</th> </tr> </thead> <tbody> <tr> <td>tanδ (max.)</td> <td>0.26</td> <td>0.19</td> <td>0.16</td> <td>0.14</td> <td>0.12</td> <td>0.10</td> </tr> </tbody> </table> <p>0.02 is added to every 1000µF increase over 1000µF. (20°C, 120Hz)</p>	Rated voltage (V)	6.3	10	16	25	35	50	tanδ (max.)	0.26	0.19	0.16	0.14	0.12	0.10																																																					
Rated voltage (V)	6.3	10	16	25	35	50																																																														
tanδ (max.)	0.26	0.19	0.16	0.14	0.12	0.10																																																														
Characteristics at high and low temperature	<table border="1"> <thead> <tr> <th rowspan="2">Rated voltage (V)</th> <th colspan="2">6.3</th> <th colspan="2">10</th> <th colspan="2">16</th> <th colspan="2">25</th> <th colspan="2">35</th> <th colspan="2">50</th> </tr> <tr> <th>Z-25°C/Z+20°C</th> <th>2</th> <th>2</th> <th>2</th> <th>2</th> <th>2</th> <th>2</th> <th>2</th> <th>2</th> <th>2</th> <th>2</th> </tr> <tr> <th rowspan="2">Impedance ratio (max.)</th> <th colspan="2">3</th> <th colspan="2">3</th> <th colspan="2">3</th> <th colspan="2">3</th> <th colspan="2">3</th> <th colspan="2">3</th> </tr> <tr> <th>Z-40°C/Z+20°C</th> <th>3</th> <th>3</th> <th>3</th> <th>3</th> <th>3</th> <th>3</th> <th>3</th> <th>3</th> <th>3</th> <th>3</th> </tr> <tr> <th rowspan="2">Z-55°C/Z+20°C</th> <th colspan="2">4</th> <th colspan="2">4</th> <th colspan="2">4</th> <th colspan="2">3</th> <th colspan="2">3</th> <th colspan="2">3</th> </tr> <tr> <th>4</th> <th>4</th> <th>4</th> <th>3</th> <th>3</th> <th>3</th> </tr> </thead> <tbody> </tbody> </table> <p>(120Hz)</p>	Rated voltage (V)	6.3		10		16		25		35		50		Z-25°C/Z+20°C	2	2	2	2	2	2	2	2	2	2	Impedance ratio (max.)	3		3		3		3		3		3		Z-40°C/Z+20°C	3	3	3	3	3	3	3	3	3	3	Z-55°C/Z+20°C	4		4		4		3		3		3		4	4	4	3	3	3
Rated voltage (V)	6.3		10		16		25		35		50																																																									
	Z-25°C/Z+20°C	2	2	2	2	2	2	2	2	2	2																																																									
Impedance ratio (max.)	3		3		3		3		3		3																																																									
	Z-40°C/Z+20°C	3	3	3	3	3	3	3	3	3	3																																																									
Z-55°C/Z+20°C	4		4		4		3		3		3																																																									
	4	4	4	3	3	3																																																														
Endurance (105°C) (Applied ripple current)	<table border="1"> <thead> <tr> <th>Test time</th> <th>2000 hours</th> </tr> </thead> <tbody> <tr> <td>Leakage current</td> <td>The initial specified value or less</td> </tr> <tr> <td>Percentage of capacitance change</td> <td>Within ±30% of initial value</td> </tr> <tr> <td>Tangent of the loss angle</td> <td>200% or less of the initial specified value</td> </tr> </tbody> </table>	Test time	2000 hours	Leakage current	The initial specified value or less	Percentage of capacitance change	Within ±30% of initial value	Tangent of the loss angle	200% or less of the initial specified value																																																											
Test time	2000 hours																																																																			
Leakage current	The initial specified value or less																																																																			
Percentage of capacitance change	Within ±30% of initial value																																																																			
Tangent of the loss angle	200% or less of the initial specified value																																																																			
Shelf life (105°C)	Test time : 1000hours ; other items are same as the endurance. Voltage application treatment : According to JIS C5101-4 4.1																																																																			
Applicable standards	JIS C5101 - 1,- 18 (IEC 60384 - 1,- 18)																																																																			

Outline Drawing

Unit : mm



Refer to individual page.
(Soldering conditions, Land pattern size, The taping specifications)

Coefficient of Frequency for Rated Ripple Current

Frequency (Hz)	50 · 60	120	1k	10k · 100k
Rated voltage (V)	0.50	0.50	0.75	1
6.3 to 50				

Part numbering system

Standard Type (example : 35V150µF)

RZD	—	35	V	151	M	F80	U	□
Series code		Rated voltage symbol		Rated capacitance symbol	Capacitance tolerance symbol	Casing symbol		Taping symbol

For Vibration Resistance Type (example : 25V820µF)

RMD	—	25	V	821	M	H10	U	□
Series code		Rated voltage symbol		Rated capacitance symbol	Capacitance tolerance symbol	Casing symbol		Taping symbol

NOTE : Design, Specifications are subject to change without notice.
It is recommended that you shall obtain technical specifications from ELNA to ensure that the component is suitable for your use.

Standard Ratings

Rated voltage (V) Item Rated capacitance (μF)	6.3				10				16			
	Case φD × L (mm)	Casing symbol	ESR (Ω max.)	Rated ripple current (mA rms)	Case φD × L (mm)	Casing symbol	ESR (Ω max.)	Rated ripple current (mA rms)	Case φD × L (mm)	Casing symbol	ESR (Ω max.)	Rated ripple current (mA rms)
150	—	—	—	—	—	—	—	—	6.3 × 5.8	F61	0.26	300
220	—	—	—	—	6.3 × 5.8	F61	0.26	300	6.3 × 5.8	F61	0.26	300
330	6.3 × 5.8	F61	0.26	300	6.3 × 7.7	F80	0.16	600	6.3 × 7.7	F80	0.16	600
470	6.3 × 7.7	F80	0.16	600	6.3 × 7.7	F80	0.16	600	—	—	—	—
680	6.3 × 7.7	F80	0.16	600	—	—	—	—	8 × 10	G10	0.08	850
1000	—	—	—	—	8 × 10	G10	0.08	850	10 × 10	H10	0.06	1190
1500	8 × 10	G10	0.08	850	10 × 10	H10	0.06	1190	—	—	—	—
2200	10 × 10	H10	0.06	1190	—	—	—	—	—	—	—	—

Rated voltage (V) Item Rated capacitance (μF)	25				35				50			
	Case φD × L (mm)	Casing symbol	ESR (Ω max.)	Rated ripple current (mA rms)	Case φD × L (mm)	Casing symbol	ESR (Ω max.)	Rated ripple current (mA rms)	Case φD × L (mm)	Casing symbol	ESR (Ω max.)	Rated ripple current (mA rms)
47	—	—	—	—	—	—	—	—	6.3 × 5.8	F61	0.68	195
100	—	—	—	—	6.3 × 5.8	F61	0.26	300	6.3 × 7.7	F80	0.34	350
150	6.3 × 5.8	F61	0.26	300	6.3 × 7.7	F80	0.16	600	—	—	—	—
220	6.3 × 7.7	F80	0.16	600	—	—	—	—	8 × 10	G10	0.18	670
330	—	—	—	—	8 × 10	G10	0.08	850	10 × 10	H10	0.12	900
470	8 × 10	G10	0.08	850	—	—	—	—	—	—	—	—
560	—	—	—	—	10 × 10	H10	0.06	1190	—	—	—	—
820	10 × 10	H10	0.06	1190	—	—	—	—	—	—	—	—

(Note) Rated ripple current : 105°C , 100kHz
ESR : 20°C , 100kHz

RZK, RMK ★NEW VERTICAL CHIP TYPE ALUMINUM ELECTROLYTIC CAPACITORS ELNA

Chip Type, 105°C Use, Low ESR, High CV Capacitors

GREEN CAP

SMD

Low ESR

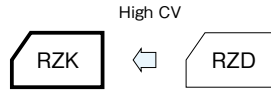
105°C 2000hours

Anti-cleaning solvent

- Compatible with surface mounting.
- Supplied with carrier taping.
- Guaranteed 2000 hours at 105°C .



Marking color : Black print



Specifications

Item	Performance			
Category temperature range (°C)	- 55 to + 105			
Tolerance at rated capacitance (%)	± 20 (20°C , 120Hz)			
Leakage current (µA) (max.)	0.01CV or 3 whichever is larger (after 2 minutes) C : Rated capacitance (µF) ; V : Rated voltage (V) (20°C)			
Tangent of loss angle (tanδ)	Rated voltage (V)	25	35	
	tan δ (max.)	0.14	0.12	
0.02 is added to every 1000µF increase over 1000µF (20°C , 120Hz)				
Characteristics at high and low temperature	Impedance ratio (max.)	Rated voltage (V)	25	35
		Z - 25°C / Z + 20°C	2	2
		Z - 40°C / Z + 20°C	3	3
		Z - 55°C / Z + 20°C	3	3
(120Hz)				
Endurance (105°C) (Applied ripple current)	Test time	2000 hours		
	Leakage current	The initial specified value or less		
	Percentage of capacitance change	Within ± 30% of initial value		
	Tangent of the loss angle	200% or less of the initial specified value		
Shelf life (105°C)	Test time : 1000hours ; other items are same as the endurance. Voltage application treatment : According to JIS C5101-4 4.1			
Applicable standards	JIS C5101-1, -18 (IEC 60384-1, -18)			

Coefficient of Frequency for Rated Ripple Current

Frequency (Hz)	50 · 60	120	1k	10k · 100k
Rated voltage (V) 25 to 35	0.50	0.50	0.75	1

Refer to individual page.
(Soldering conditions, Land pattern size, The taping specifications)

Part numbering system

Standard Type (example : 35V680µF)

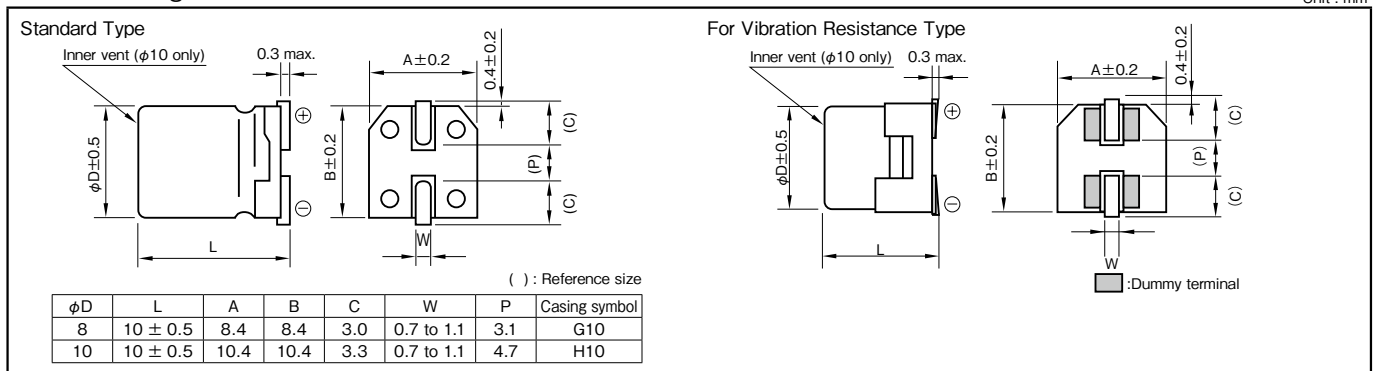
RZK	—	35	V	681	M	H10	U	—	□
Series code		Rated voltage symbol		Rated capacitance symbol	Capacitance tolerance symbol	Casing symbol			Taping symbol

For Vibration Resistance Type (example : 35V680µF)

RMK	—	35	V	681	M	H10	U	—	□
Series code		Rated voltage symbol		Rated capacitance symbol	Capacitance tolerance symbol	Casing symbol			Taping symbol

Outline Drawing

Unit : mm



Standard Ratings

Rated voltage (V)	25				35			
	Case φD × L (mm)	Casing symbol	ESR (Ω max.)	Rated ripple current (mArms)	Case φD × L (mm)	Casing symbol	ESR (Ω max.)	Rated ripple current (mArms)
470	—	—	—	—	8 × 10	G10	0.08	850
560	8 × 10	G10	0.08	850	—	—	—	—
680	—	—	—	—	10 × 10	H10	0.06	1190
1000	10 × 10	H10	0.06	1190	—	—	—	—

(Note) Rated ripple current : 105°C , 100kHz
ESR : 20°C , 100kHz

NOTE : Design, Specifications are subject to change without notice.
It is recommended that you shall obtain technical specifications from ELNA to ensure that the component is suitable for your use.

Chip Type, 125°C Use, Low ESR, Long Life Capacitors

GREEN CAP

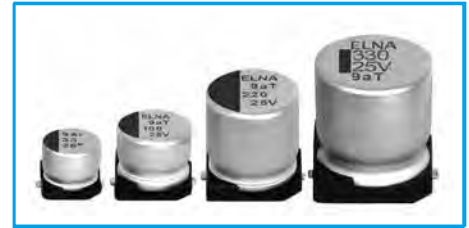
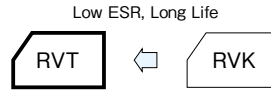
SMD

Low ESR

125°C
5000hours

Anti-
cleaning
solvent

- Compatible with surface mounting.
- Supplied with carrier taping.
- Guaranteed 1000 to 5000 hours at 125°C.
(See table below)



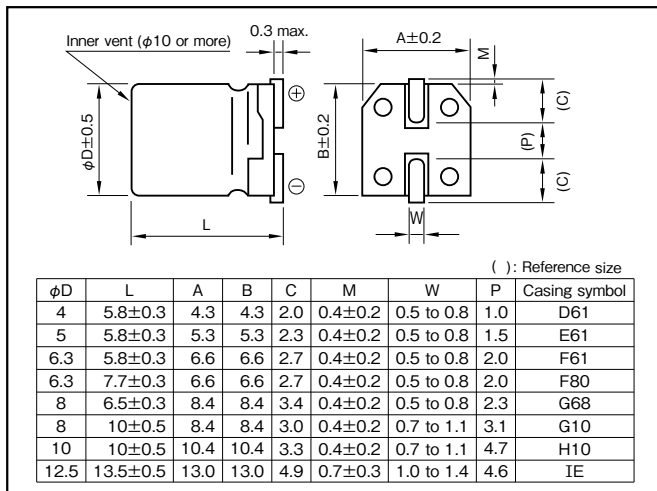
Marking color : Black print

Specifications

Item	Performance
Category temperature range (°C)	-40 to +125
Tolerance at rated capacitance (%)	±20 (20°C, 120Hz)
Leakage current (µA) (max.)	0.01CV or 3 whichever is larger (after 2 minutes) C : Rated capacitance (µF) ; V : Rated voltage (V) (20°C)
Tangent of loss angle (tanδ)	Rated voltage (V)
	tanδ (max.)
Characteristics at high and low temperature	Rated voltage (V)
	Impedance Ratio (max.)
Endurance (125°C) (Applied ripple current)	Test time
	Leakage current
	Capacitance change
	Tangent of loss angle
Shelf life (125°C)	Test time : 1000hours ; other items are same as the endurance. Voltage application treatment : According to JIS C5101-4 4.1
Applicable standards	JIS C5101 - 1, - 18 (IEC 60384 - 1, - 18)

Outline Drawing

Unit : mm



Refer to individual page.
(Soldering conditions, Land pattern size, The taping specifications)

Coefficient of Frequency for Rated Ripple Current

Frequency (Hz)	120	1k	10k	100k
Rated voltage(V)				
10 to 100	0.77	0.88	0.96	1

Part numbering system

φ 10 or less (example : 16V100µF)

RVT	—	35	V	221	M	H10	U	—	□
Series code		Rated voltage symbol		Rated capacitance symbol	Capacitance tolerance symbol	Casing symbol			Taping symbol

50V or less : φ 12.5 (example : 35V330µF)

RVT	—	35	V	331	M	IE	T	—	R5
Series code		Rated voltage symbol		Rated capacitance symbol	Capacitance tolerance symbol	Casing symbol			Taping symbol

63V to 100V : φ 12.5 (example : 63V100µF)

RVT	—	63	V	101	M	IE	KT	—	R5
Series code		Rated voltage symbol		Rated capacitance symbol	Capacitance tolerance symbol	Casing symbol			Taping symbol

*In the case of "for High Temperature Reflow" type, a series name is "RZC". (φ 4 to φ 10)
*If "For Vibration Resistance" type is required, please see the series RTT.

Standard Ratings

Rated voltage(V) Rated capacitance(μF)	Item	10				16				25			
		Case φD×L (mm)	ESR(Ω max.)		Rated ripple current (mA rms)	Case φD×L (mm)	ESR(Ω max.)		Rated ripple current (mA rms)	Case φD×L (mm)	ESR(Ω max.)		Rated ripple current (mA rms)
			20°C	-40°C			20°C	-40°C			20°C	-40°C	
10	—	—	—	—	4×5.8	3.0	45	50	5×5.8	1.5	23	81	
22	4×5.8	3.0	45	50	5×5.8	1.5	23	81	6.3×5.8	1.0	15	114	
33	5×5.8	1.5	23	81	6.3×5.8	1.0	15	114	6.3×5.8	1.0	15	114	
47	—	—	—	—	6.3×5.8	1.0	15	114	6.3×7.7	0.60	9.0	165	
									8×6.5	0.60	9.0	180	
100	—	—	—	—	—	—	—	—	6.3×7.7	0.60	9.0	165	
									8×6.5	0.60	9.0	180	
									8×10	0.20	2.0	340	
220	6.3×7.7	0.60	9.0	165	8×10	0.20	2.0	340	8×10	0.20	2.0	340	
	8×6.5	0.60	9.0	180	10×10	0.15	1.5	500	10×10	0.15	1.5	500	
330	8×10	0.20	2.0	340	10×10	0.15	1.5	500	10×10	0.15	1.5	500	
	10×10	0.15	1.5	500					12.5×13.5	0.086	1.29	750	
470	10×10	0.15	1.5	500	12.5×13.5	0.086	1.29	750	12.5×13.5	0.086	1.29	750	
680	12.5×13.5	0.086	1.29	750	12.5×13.5	0.086	1.29	750	—	—	—	—	
1000	12.5×13.5	0.086	1.29	750	—	—	—	—	—	—	—	—	

Rated voltage(V) Rated capacitance(μF)	Item	35				50				63			
		Case φD×L (mm)	ESR(Ω max.)		Rated ripple current (mA rms)	Case φD×L (mm)	ESR(Ω max.)		Rated ripple current (mA rms)	Case φD×L (mm)	ESR(Ω max.)		Rated ripple current (mA rms)
			20°C	-40°C			20°C	-40°C			20°C	-40°C	
4.7	4×5.8	3.0	45	50	—	—	—	—	—	—	—	—	
10	5×5.8	1.5	23	81	6.3×5.8	3.2	48	58	6.3×7.7	1.8	36	95	
	6.3×5.8	1.0	15	114									
22	6.3×5.8	1.0	15	114	6.3×7.7	1.2	18	95	8×10	0.70	14	140	
33	6.3×7.7	0.60	9.0	165	6.3×7.7	1.2	18	95	8×10	0.70	14	140	
	8×6.5	0.60	9.0	180	8×10	0.50	7.5	180	10×10	0.50	10	200	
47	6.3×7.7	0.60	9.0	165	8×10	0.50	7.5	180	8×10	0.70	14	140	
	8×6.5	0.60	9.0	180									
	8×10	0.20	2.0	340									
100	8×10	0.20	2.0	340	10×10	0.30	4.5	280	12.5×13.5	0.25	3.75	400	
	10×10	0.15	1.5	500	12.5×13.5	0.18	2.7	550					
220	10×10	0.15	1.5	500	12.5×13.5	0.18	2.7	550	—	—	—	—	
330	12.5×13.5	0.086	1.29	750	—	—	—	—	—	—	—	—	

Rated voltage(V) Rated capacitance(μF)	Item	80				100			
		Case φD×L (mm)	ESR(Ω max.)		Rated ripple current (mA rms)	Case φD×L (mm)	ESR(Ω max.)		Rated ripple current (mA rms)
			20°C	-40°C			20°C	-40°C	
10	8×10	0.75	15	110	8×10	0.75	15	110	
22	8×10	0.75	15	110	8×10	0.75	15	110	
	10×10	0.55	11	150	10×10	0.55	11	150	
33	8×10	0.75	15	110	10×10	0.55	11	150	
	10×10	0.55	11	150					
47	—	—	—	—	12.5×13.5	0.32	4.8	300	

(Note) Rated ripple current : 125°C, 100kHz
ESR : 100kHz

Chip Type, 125°C Use, Low ESR, Long Life Capacitors

GREEN CAP

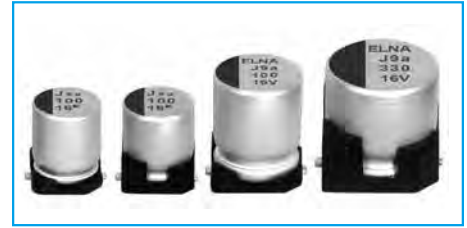
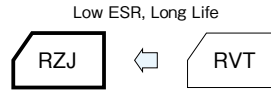
SMD

Low ESR

125°C
3000hours

Anti-cleaning solvent

- Compatible with surface mounting.
- Supplied with carrier taping.
- Guaranteed 3000 hours at 125°C. (φ6.3 : 2000 hours)
- Specify ESR after endurance test.



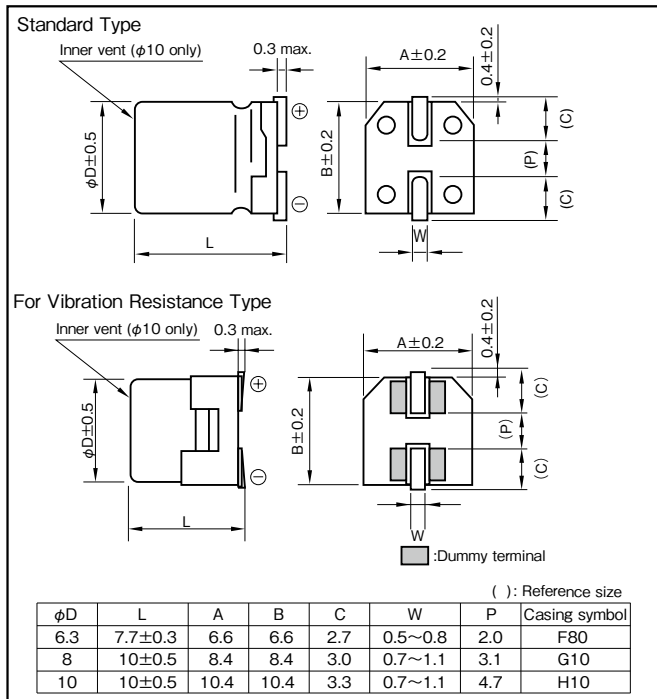
Marking color : Black print

Specifications

Item	Performance					
Category temperature range (°C)	-40 to +125					
Tolerance at rated capacitance (%)	±20 (20°C, 120Hz)					
Leakage current (μA) (max.)	0.01CV or 3 whichever is larger (after 2 minutes) C : Rated capacitance (μF) ; V : Rated voltage (V) (20°C)					
Tangent of loss angle (tanδ)	Rated voltage (V)	10	16	25	35	50
	tanδ (max.)	0.30	0.23	0.18	0.16	0.16
Characteristics at high and low temperature	Impedance ratio (max.)	Z-25°C/Z+20°C	3	2	2	2
		Z-40°C/Z+20°C	4	3	3	3
	(120Hz)					
Endurance (125°C) (Applied ripple current)	Test time	3000 hours (φ6.3 : 2000 hours)				
	Leakage current	The initial specified value or less				
	Percentage of capacitance change	Within ±30% of initial value				
	Tangent of the loss angle	300% or less of the initial specified value				
Shelf life (125°C)	Test time : 1000hours ; other items are same as the endurance. Voltage application treatment : According to JIS C5101-4 4.1					
Applicable standards	JIS C5101 - 1,- 18 (IEC 60384 - 1,- 18)					

Outline Drawing

Unit : mm



Refer to individual page.
(Soldering conditions, Land pattern size, The taping specifications)

Coefficient of Frequency for Rated Ripple Current

Frequency (Hz)	120	1k	10k	100k
Rated voltage (V)				
10 to 50	0.77	0.88	0.96	1

Part numbering system

Standard Type (example : 35V220μF)

RZJ	—	35	V	221	M	H10	U	—	□
Series code		Rated voltage symbol		Rated capacitance symbol	Capacitance tolerance symbol	Casing symbol			Taping symbol

For Vibration Resistance Type (example : 35V220μF)

RMJ	—	35	V	221	M	H10	U	—	□
Series code		Rated voltage symbol		Rated capacitance symbol	Capacitance tolerance symbol	Casing symbol			Taping symbol

Standard Ratings

Rated voltage (V) Item	10						16						25					
	Case φD×L (mm)	Initial ESR (Ω max.)		After endurance test ESR (Ω max.)		Rated ripple current (mAmps)	Case φD×L (mm)	Initial ESR (Ω max.)		After endurance test ESR (Ω max.)		Rated ripple current (mAmps)	Case φD×L (mm)	Initial ESR (Ω max.)		After endurance test ESR (Ω max.)		Rated ripple current (mAmps)
		20°C	-40°C	20°C	-40°C			20°C	-40°C	20°C	-40°C			20°C	-40°C	20°C	-40°C	
100	—	—	—	—	—	—	6.3×7.7	0.45	5.0	3.5	40	220	8×10	0.15	3.0	0.60	4.5	350
	8×10	0.15	3.0	0.60	4.5	350	8×10	0.15	3.0	0.60	4.5	350						
220	8×10	0.15	3.0	0.60	4.5	350	8×10	0.15	3.0	0.60	4.5	350	10×10	0.12	2.0	0.40	3.5	550
330	8×10	0.15	3.0	0.60	4.5	350	10×10	0.12	2.0	0.40	3.5	550	10×10	0.12	2.0	0.40	3.5	550
	10×10	0.12	2.0	0.40	3.5	550												
470	10×10	0.12	2.0	0.40	3.5	550	10×10	0.12	2.0	0.40	3.5	550	—	—	—	—	—	—

Rated voltage (V) Item	35						50					
	Case φD×L (mm)	Initial ESR (Ω max.)		After endurance test ESR (Ω max.)		Rated ripple current (mAmps)	Case φD×L (mm)	Initial ESR (Ω max.)		After endurance test ESR (Ω max.)		Rated ripple current (mAmps)
		20°C	-40°C	20°C	-40°C			20°C	-40°C	20°C	-40°C	
22	—	—	—	—	—	—	6.3×7.7	0.50	5.0	—	40	197
33	—	—	—	—	—	—	6.3×7.7	0.50	5.0	—	40	197
							8×10	0.25	3.5	—	6	270
47	6.3×7.7	0.45	5.0	3.5	40	220	6.3×7.7	0.50	5.0	—	40	197
	8×10	0.15	3.0	0.60	4.5	350	8×10	0.25	3.5	—	6	270
100	8×10	0.15	3.0	0.60	4.5	350	10×10	0.20	2.5	—	4.5	500
220	10×10	0.12	2.0	0.40	3.5	550	—	—	—	—	—	—

(Note) After endurance test : 2000 hours
 Rated ripple current : 125°C , 100kHz, ESR : 100kHz

Chip Type, 125°C Use, High CV, Long Life Capacitors

GREEN CAP

SMD

Low ESR

125°C
4000hours

Anti-cleaning solvent

- Compatible with surface mounting.
- Supplied with carrier taping.
- Guaranteed 4000 hours at 125°C.
(1000 hours : $\phi 6.3 \times 5.8L-50V$)
(2000 hours : $\phi 6.3 \times 5.8L-35V$ or less, $\phi 6.3 \times 7.7L$)

High CV, Long Life



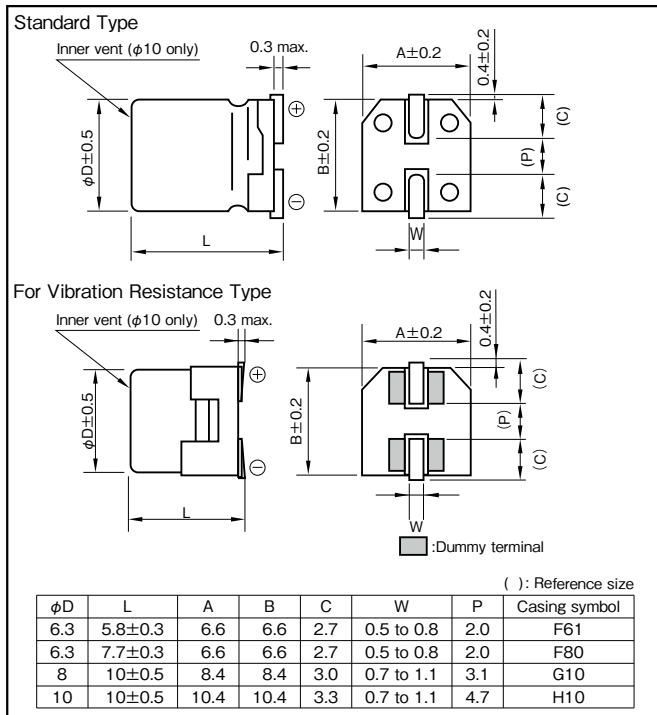
Marking color : Black print

Specifications

Item	Performance					
Category temperature range (°C)	-40 to +125					
Tolerance at rated capacitance (%)	±20 (20°C, 120Hz)					
Leakage current (µA) (max.)	0.01CV or 3 whichever is larger (after 2 minutes) C : Rated capacitance (µF) ; V : Rated voltage (V) (20°C)					
Tangent of loss angle (tanδ)	Rated voltage (V)	10	16	25	35	50
	tanδ (max.)	0.24	0.20	0.16	0.14	0.14
Characteristics at high and low temperature	Impedance ratio (max.)	Z-25°C/Z+20°C		Z-40°C/Z+20°C		(120Hz)
		3	2	2	2	2
Endurance (125°C) (Applied ripple current)	Test time	1000 hours ($\phi 6.3 \times 5.8L : 50V$) 2000 hours ($\phi 6.3 \times 5.8L : 35V$ or less, $\phi 6.3 \times 7.7L$) 4000 hours ($\phi 8, \phi 10$)				
	Leakage current	The initial specified value or less				
	Percentage of capacitance change	Within ±30% of initial value				
	Tangent of the loss angle	300% or less of the initial specified value				
Shelf life (125°C)	Test time : 1000hours ; other items are same as the endurance. Voltage application treatment : According to JIS C5101-4 4.1					
Applicable standards	JIS C5101 - 1,- 18 (IEC 60384 - 1,- 18)					

Outline Drawing

Unit : mm



Refer to individual page.
(Soldering conditions, Land pattern size, The taping specifications)

Coefficient of Frequency for Rated Ripple Current

Frequency (Hz)	120	1k	10k	100k
Rated voltage(V)				
10 to 50	0.77	0.88	0.96	1

Part numbering system

Standard Type (example : 35V100µF)

RZF	—	35	V	101	M	F80	U	□
Series code		Rated voltage symbol		Rated capacitance symbol	Capacitance tolerance symbol	Casing symbol		Taping symbol

For Vibration Resistance Type (example : 25V330µF)

RMF	—	25	V	331	M	H10	U	□
Series code		Rated voltage symbol		Rated capacitance symbol	Capacitance tolerance symbol	Casing symbol		Taping symbol

Standard Ratings

Rated voltage (V) Item Rated capacitance (μF)	10				16				25			
	Case φD × L (mm)	ESR (Ω max.)		Rated ripple current (mA _{rms})	Case φD × L (mm)	ESR (Ω max.)		Rated ripple current (mA _{rms})	Case φD × L (mm)	ESR (Ω max.)		Rated ripple current (mA _{rms})
		20°C	-40°C			20°C	-40°C			20°C	-40°C	
47	—	—	—	—	6.3 × 5.8	1.2	22	110	6.3 × 5.8	1.2	22	110
100	6.3 × 5.8	1.2	22	110	6.3 × 5.8	1.2	22	110	6.3 × 7.7	0.60	12	220
220	6.3 × 7.7	0.60	12	220	6.3 × 7.7	0.60	12	220	8 × 10	0.30	5.5	296
330	8 × 10	0.30	5.5	296	8 × 10	0.30	5.5	296	10 × 10	0.20	3.6	440
470	8 × 10	0.30	5.5	296	10 × 10	0.20	3.6	440	—	—	—	—
680	10 × 10	0.20	3.6	440	10 × 10	0.20	3.6	440	—	—	—	—

Rated voltage (V) Item Rated capacitance (μF)	35				50			
	Case φD × L (mm)	ESR (Ω max.)		Rated ripple current (mA _{rms})	Case φD × L (mm)	ESR (Ω max.)		Rated ripple current (mA _{rms})
		20°C	-40°C			20°C	-40°C	
22	—	—	—	—	6.3 × 5.8	3.2	48	58
33	—	—	—	—	6.3 × 5.8	3.2	48	58
47	6.3 × 5.8	1.2	22	110	6.3 × 7.7	1.2	18	95
100	6.3 × 7.7	0.60	12	220	8 × 10	0.50	7.5	180
220	8 × 10	0.30	5.5	296	10 × 10	0.30	4.5	280
330	10 × 10	0.20	3.6	440	—	—	—	—

(Note) Rated ripple current : 125°C, 100kHz
ESR : 100kHz

RZE, RME VERTICAL CHIP TYPE ALUMINUM ELECTROLYTIC CAPACITORS ELNA

Chip Type, 125°C Use, High CV, Long Life Capacitors

GREEN CAP

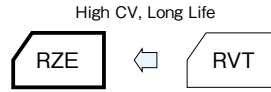
SMD

Low ESR

125°C
2000hours

Anti-cleaning solvent

- Compatible with surface mounting.
- Supplied with carrier taping.
- Guaranteed 2000 hours at 125°C.



Marking color : Black print

Specifications

Item	Performance
Category temperature range (°C)	-40 to +125
Tolerance at rated capacitance (%)	±20 (20°C, 120Hz)
Leakage current (µA) (max.)	0.01CV or 3 whichever is larger (after 2 minutes) C : Rated capacitance (µF) ; V : Rated voltage (V) (20°C)
Tangent of loss angle (tanδ)	Rated voltage (V) 35
	tanδ (max.) 0.14 (20°C, 120Hz)
Characteristics at high and low temperature	Rated voltage (V) 35
	Impedance Ratio (max.) Z-25°C/Z+20°C 2
	Z-40°C/Z+20°C 3 (120Hz)
Endurance (125°C) (Applied ripple current)	Test time 2000 hours
	Leakage current The initial specified value or less
	Percentage of capacitance change Within ±30% of initial value
	Tangent of the loss angle 300% or less of the initial specified value
Shelf life (125°C)	Test time : 1000hours ; other items are same as the endurance. Voltage application treatment : According to JIS C5101-4 4.1
Applicable standards	JIS C5101 - 1, - 18 (IEC 60384 - 1, - 18)

Coefficient of Frequency for Rated Ripple Current

Frequency (Hz)	120	1k	10k	100k
Rated voltage(V)				
35	0.77	0.88	0.96	1

Refer to individual page.
(Soldering conditions, Land pattern size, The taping specifications)

Part numbering system

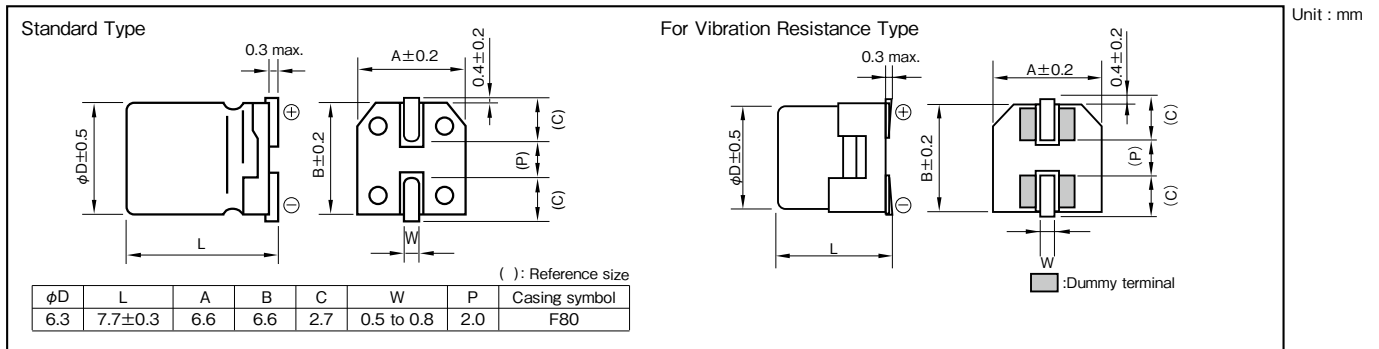
Standard Type (example : 35V47µF)

RZE	—	35	V	470	M	F80	U	□
Series code		Rated voltage symbol		Rated capacitance symbol	Capacitance tolerance symbol	Casing symbol		Taping symbol

For Vibration Resistance Type (example : 35V47µF)

RME	—	35	V	470	M	F80	U	□
Series code		Rated voltage symbol		Rated capacitance symbol	Capacitance tolerance symbol	Casing symbol		Taping symbol

Outline Drawing



Standard Ratings

Rated voltage (V)	Item	35			Rated ripple current (mA rms)	
		Case φD × L (mm)	ESR (Ω max.)			
			20°C	-40°C		After Endurance -40°C
47		6.3 × 7.7	0.30	3	6	240
100		6.3 × 7.7	0.30	3	6	240

(Note) Rated ripple current : 125°C, 100kHz
ESR : 100kHz

NOTE : Design, Specifications are subject to change without notice.
It is recommended that you shall obtain technical specifications from ELNA to ensure that the component is suitable for your use.

RVX, RTX VERTICAL CHIP TYPE ALUMINUM ELECTROLYTIC CAPACITORS ELNA

Chip Type, 135°C Capacitors

GREEN CAP

SMD

135°C
1000hours

Anti-cleaning solvent

- Compatible with surface mounting.
- Supplied with carrier taping.
- Guarantees 1000 hours 135°C.



High temperature ↑



Marking color : Black print

Specifications

Item	Performance			
Category temperature range (°C)	-40 to +135			
Tolerance at rated capacitance (%)	±20 (20°C, 120Hz)			
Leakage current (µA) (max.)	0.01CV or 3 whichever is larger (after 2 minutes) C : Rated capacitance (µF) ; V : Rated voltage (V) (20°C)			
Tangent of loss angle (tanδ)	Rated voltage (V)	25	35	
	tanδ (max.)	0.24	0.20	
Characteristics at high and low temperature	Rated voltage (V)	25	35	
	Impedance Ratio (max.)	Z-25°C/Z+20°C	2	2
		Z-40°C/Z+20°C	3	3
Endurance (135°C) (Applied ripple current)	Test time	1000 hours		
	Leakage current	The initial specified value or less		
	Percentage of Capacitance change	Within ±30% of initial value		
	Tangent of loss angle	300% or less of the initial specified value		
Shelf life (135°C)	Test time : 500hours ; other items are same as the endurance. Voltage application treatment : According to JIS C5101-4 4.1			
Applicable standards	JIS C5101 - 1, - 18 (IEC 60384 - 1, - 18)			

Coefficient of Frequency for Rated Ripple Current

Rated voltage(V) \ Frequency (Hz)	120	1k	10k	100k
25 to 35	0.77	0.88	0.96	1

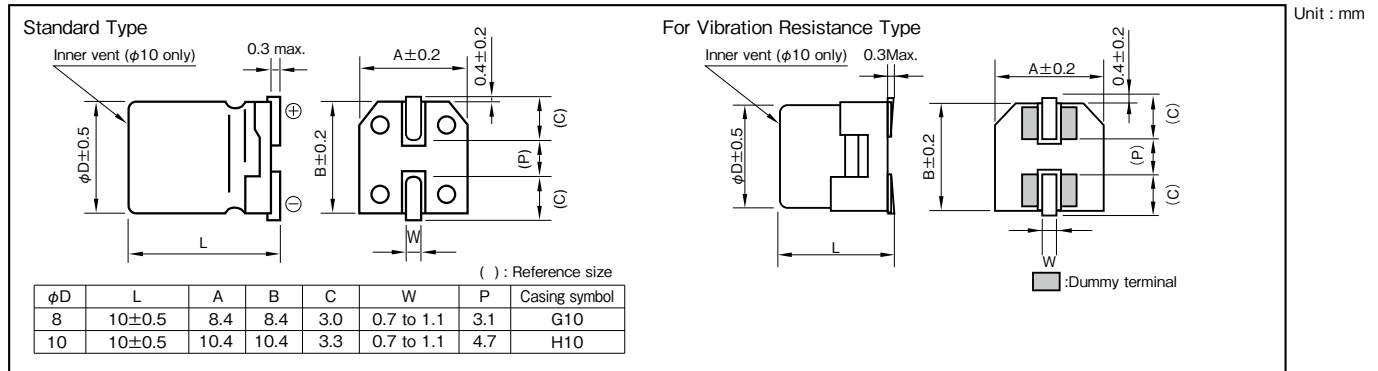
Refer to individual page.
(Soldering conditions, Land pattern size, The taping specifications)

Part numbering system (example : 25V330µF)

Standard Type					
RVX	—	25	V	331	M H10 U
Series code		Rated voltage symbol		Rated capacitance symbol	Capacitance tolerance symbol Casing symbol Taping symbol

For Vibration Resistance Type					
RTX	—	25	V	331	M H10 U
Series code		Rated voltage symbol		Rated capacitance symbol	Capacitance tolerance symbol Casing symbol Taping symbol

Outline Drawing



Standard Ratings

Rated voltage (V) \ Rated capacitance (µF)	25				35			
	Case φD × L (mm)	Casing symbol	ESR (Ω max.)	Rated ripple current (mArms)	Case φD × L (mm)	Casing symbol	ESR (Ω max.)	Rated ripple current (mArms)
22	—	—	—	—	8 × 10	G10	0.70	115
33	8 × 10	G10	0.70	115	8 × 10	G10	0.70	115
	10 × 10	H10	0.50	155	10 × 10	H10	0.50	155
47	8 × 10	G10	0.70	115	8 × 10	G10	0.70	115
	10 × 10	H10	0.50	155	10 × 10	H10	0.50	155
100	8 × 10	G10	0.70	115	8 × 10	G10	0.70	115
	10 × 10	H10	0.50	155	10 × 10	H10	0.50	155
220	8 × 10	G10	0.70	115	10 × 10	H10	0.50	155
	10 × 10	H10	0.50	155				
330	10 × 10	H10	0.50	155	—	—	—	—

(Note) Rated ripple current : 135°C, 100kHz
ESR : 20°C, 100kHz

NOTE : Design, Specifications are subject to change without notice.
It is recommended that you shall obtain technical specifications from ELNA to ensure that the component is suitable for your use.

Chip type 105°C Capacitors(height:4.5mm)

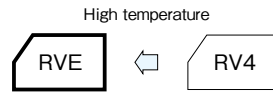
GREEN CAP

SMD

105°C
1000hours

Anti-cleaning solvent

- Compatible with surface mounting for 4.5mm height capacitors.
- Supplied with carrier taping.
- Guarantees 1000 hours 105°C.



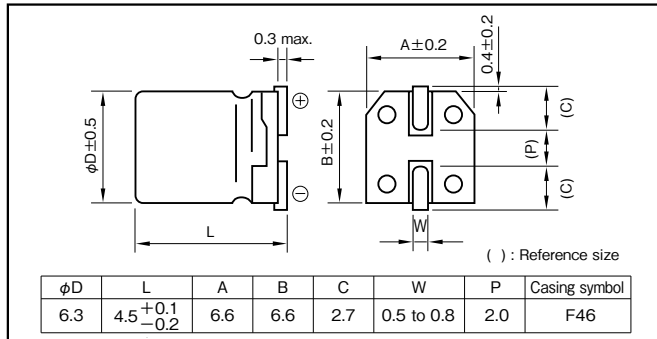
Marking color : Black print

Specifications

Item	Performance	
Category temperature range (°C)	-40 to +105	
Tolerance at rated capacitance (%)	±20 (20°C, 120Hz)	
Leakage current (µA) (max.)	0.01CV or 3 whichever is larger (after 2 minutes) C : Rated capacitance (µF), V : Rated voltage (V) (20°C)	
Tangent of loss angle (tanδ)	Rated voltage (V)	6.3 10 16 25 35 50
	tanδ (max.)	0.38 0.32 0.20 0.16 0.14 0.14 (20°C, 120Hz)
Characteristics at high and low temperature	Rated voltage (V)	6.3 10 16 25 35 50
	Impedance ratio (max.)	Z-25°C/Z+20°C: 4 3 2 2 2 2 Z-40°C/Z+20°C: 10 8 6 4 3 3 (120Hz)
Endurance (105°C) (Applied ripple current)	Test time	1000 hours
	Leakage current	The initial specified value or less
	Percentage of capacitance change	Within ±20% of initial value (16WV or less: ±25%)
	Tangent of loss angle	300% or less of the initial specified value
Shelf life (105°C)	Test time : 500hours ; other items are same as the endurance. Voltage application treatment : According to JIS C5101-4 4.1	
Applicable standards	JIS C5101 - 1, - 18 (IEC 60384 - 1, - 18)	

Outline Drawing

Unit : mm



Refer to individual page.
(Soldering conditions, Land pattern size, The taping specifications)

Coefficient of Frequency for Rated Ripple Current

Frequency (Hz)	Rated voltage (V)			
	50 · 60	120	1k	10k · 100k
6.3 to 16	0.80	1	1.15	1.25
25 to 35	0.80	1	1.25	1.40
50	0.70	1	1.35	1.50

Part numbering system (example : 6.3V100µF)

RVE	—	6	V	101	M	F46	U	□
Series code		Rated voltage symbol		Rated capacitance symbol	Capacitance tolerance symbol	Casing symbol		Taping symbol

Standard Ratings

Rated voltage (V)	6.3		10		16		25		35		50		
	Item	Rated capacitance (µF)	Rated ripple current (mArms)	Rated capacitance (µF)	Rated ripple current (mArms)	Rated capacitance (µF)	Rated ripple current (mArms)	Rated capacitance (µF)	Rated ripple current (mArms)	Rated capacitance (µF)	Rated ripple current (mArms)	Rated capacitance (µF)	Rated ripple current (mArms)
6.3	F46	100	52	47	40	33	35	22	33	22	36	10	26
		47	44			33	42						

(Note) Rated ripple current : 105°C , 120Hz

Chip Type 105°C Use, Long Life Bipolar Capacitors

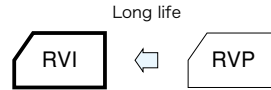
GREEN CAP

SMD

105°C
2000hours

Anti-cleaning solvent

- Compatible with surface mounting.
- Supplied with carrier taping.
- Guarantees 2000 hours 105°C.



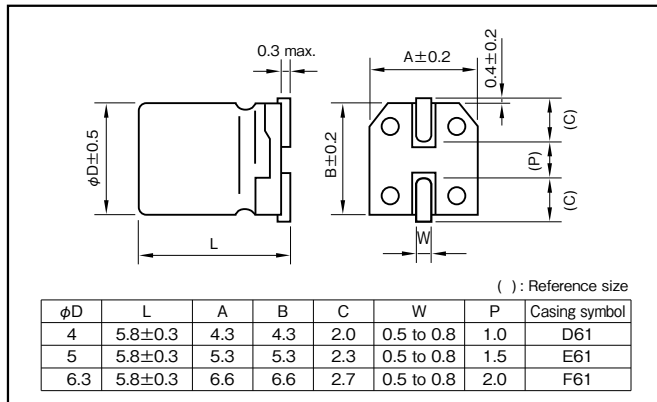
Marking color : Black print

Specifications

Item	Performance							
Category temperature range (°C)	-40 to +105							
Tolerance at rated capacitance (%)	±20 (20°C, 120Hz)							
Leakage current (µA) (max.)	0.01CV or 3 whichever is larger (after 2 minutes) C : Rated capacitance (µF) , V : Rated voltage (V) (20°C)							
Tangent of loss angle (tanδ)	Rated voltage (V)	6.3	10	16	25	35	50	
	tanδ (max.)	0.30	0.22	0.16	0.14	0.12	0.12	
Characteristics at high and low temperature	Rated voltage (V)	6.3	10	16	25	35	50	
	Impedance ratio (max.)	Z-25°C/Z+20°C	4	3	2	2	2	2
		Z-40°C/Z+20°C	8	6	4	4	3	3
Endurance (105°C) (Applied ripple current)	Test time	2000 hours (with the polarity inverted every 250 hours)						
	Leakage current	The initial specified value or less						
	Percentage of capacitance change	Within ±20% of initial value						
	Tangent of loss angle	200% or less of the initial specified value						
Shelf life (105°C)	Test time : 1000hours ; other items are same as the endurance. Voltage application treatment : According to JIS C5101-4 4.1							
Applicable standards	JIS C5101 - 1, - 18 (IEC 60384 - 1, - 18)							

Outline Drawing

Unit : mm

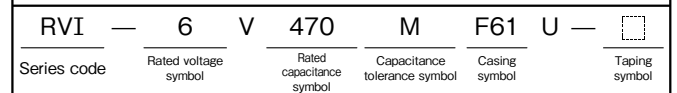


Refer to individual page.
(Soldering conditions, Land pattern size, The taping specifications)

Coefficient of Frequency for Rated Ripple Current

Rated voltage (V)	Frequency (Hz)			
	50 · 60	120	1k	10k · 100k
6.3 to 16	0.80	1	1.15	1.25
25 to 35	0.80	1	1.25	1.40
50	1 to 3.3µF	0.50	1	1.35
	4.7µF	0.70	1	1.35

Part numbering system (example : 6.3V47µF)



Standard Ratings

Rated voltage (V)	6.3		10		16		25		35		50	
	Case	Rated ripple current (mA)	Case	Rated ripple current (mA)	Case	Rated ripple current (mA)	Case	Rated ripple current (mA)	Case	Rated ripple current (mA)	Case	Rated ripple current (mA)
1	—	—	—	—	—	—	—	—	—	—	4×5.8	10
2.2	—	—	—	—	—	—	—	—	4×5.8	10	—	—
3.3	—	—	—	—	—	—	4×5.8	12	—	—	5×5.8	17
4.7	—	—	—	—	—	—	4×5.8	12	—	—	6.3×5.8	20
10	—	—	4×5.8	20	5×5.8	25	6.3×5.8	28	—	—	—	—
22	—	—	—	—	—	—	6.3×5.8	55	—	—	—	—
33	—	—	6.3×5.8	41	—	—	—	—	—	—	—	—
47	6.3×5.8	45	—	—	—	—	—	—	—	—	—	—

(Note) Rated ripple current : 105°C, 120Hz

NOTE : Design, Specifications are subject to change without notice.
It is recommended that you shall obtain technical specifications from ELNA to ensure that the component is suitable for your use.

**For Vibration Resistance,
Chip Type Aluminum Electrolytic Capacitors**

Chip Type 105°C Use, Low ESR, For Vibration Capacitors

GREEN CAP

SMD

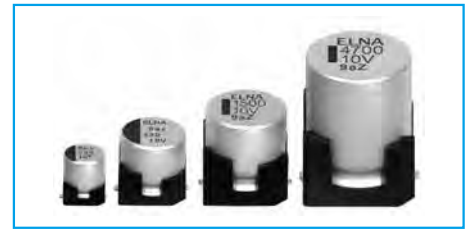
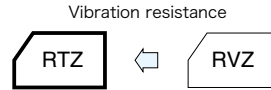
Vibration Resistance

Low ESR

105°C 5000hours

Anti-cleaning solvent

- Compatible with surface mounting.
- For Vibration resistance. (30G guaranteed)
- Supplied with carrier taping.
- Guaranteed 5000 hours at 105°C.
($\phi 6.3$: 1000 hours, $\phi 8, \phi 10$: 2000 hours)



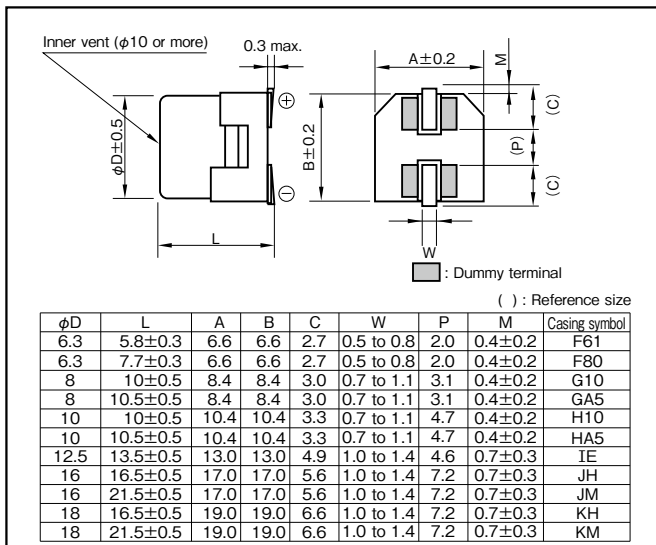
Marking color : Black print

Specifications

Item	Performance																			
Category temperature range (°C)	-55 to +105																			
Tolerance at rated capacitance (%)	±20 (20°C, 120Hz)																			
Leakage current (µA) (max.)	0.01CV or 3 whichever is larger (after 2 minutes) C : Rated capacitance (µF), V : Rated voltage (V) (20°C)																			
Tangent of loss angle (tanδ)	<table border="1"> <tr> <th>Rated voltage (V)</th> <td>6.3</td> <td>10</td> <td>16</td> <td>25</td> <td>35</td> </tr> <tr> <th>tanδ (max.)</th> <td>0.28</td> <td>0.24</td> <td>0.20</td> <td>0.16</td> <td>0.14</td> </tr> </table>	Rated voltage (V)	6.3	10	16	25	35	tanδ (max.)	0.28	0.24	0.20	0.16	0.14							
	Rated voltage (V)	6.3	10	16	25	35														
tanδ (max.)	0.28	0.24	0.20	0.16	0.14															
0.02 is added to every 1000µF increase over 1000µF (20°C, 120Hz)																				
Characteristics at high and low temperature	<table border="1"> <tr> <th>Rated voltage (V)</th> <td>6.3</td> <td>10</td> <td>16</td> <td>25</td> <td>35</td> </tr> <tr> <th rowspan="2">Impedance ratio (max.)</th> <td>Z-25°C/Z+20°C</td> <td>4</td> <td>3</td> <td>2</td> <td>2</td> <td>2</td> </tr> <tr> <td>Z-55°C/Z+20°C</td> <td>8</td> <td>5</td> <td>4</td> <td>3</td> <td>3</td> </tr> </table>	Rated voltage (V)	6.3	10	16	25	35	Impedance ratio (max.)	Z-25°C/Z+20°C	4	3	2	2	2	Z-55°C/Z+20°C	8	5	4	3	3
	Rated voltage (V)	6.3	10	16	25	35														
Impedance ratio (max.)	Z-25°C/Z+20°C	4	3	2	2	2														
	Z-55°C/Z+20°C	8	5	4	3	3														
(120Hz)																				
Endurance (105°C) (Applied ripple current)	Test time	1000 hours ($\phi 6.3$) 2000 hours ($\phi 8, \phi 10$) 5000 hours ($\phi 12.5$ or more)																		
	Leakage current	The initial specified value or less																		
	Percentage of capacitance change	Within ±25% of initial value																		
	Tangent of loss angle	200% or less of the initial specified value																		
Shelf life (105°C)	Test time : 1000hours ; other items are same as the endurance. Voltage application treatment : According to JIS C5101-4 4.1																			
Applicable standards	JIS C5101 - 1, - 18 (IEC 60384 - 1, - 18)																			

Outline Drawing

Unit : mm



Refer to individual page.
(Soldering conditions, Land pattern size, The taping specifications)

Coefficient of Frequency for Rated Ripple Current

Frequency (Hz)	120	1k	10k	100k
Rated voltage (V)				
6.3 to 35	0.50	0.75	0.90	1

Part numbering system

$\phi 6.3$ (example : 6.3V220µF)

RTZ	—	6	V	221	M	F61	U	—	
Series code		Rated voltage symbol		Rated capacitance symbol	Capacitance tolerance symbol	Casing symbol			Taping symbol

$\phi 8, \phi 10$ (example : 6.3V1500µF)

RTZ	—	6	V	152	M	HA5	SU	—	
Series code		Rated voltage symbol		Rated capacitance symbol	Capacitance tolerance symbol	Casing symbol			Taping symbol

$\phi 12.5$ or more (example : 6.3V2200µF)

RTZ	—	6	V	222	M	IE	T	—	R5
Series code		Rated voltage symbol		Rated capacitance symbol	Capacitance tolerance symbol	Casing symbol			Taping symbol

* If "Standard (terminal)" type is required, please see the series RVZ.

Standard Ratings

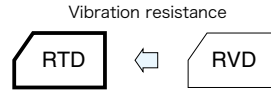
Rated voltage (V)	Item	6.3				10				16				25				35			
		Case φD × L (mm)	Casing symbol	ESR (Ω max.)	Rated ripple current (mA rms)	Case φD × L (mm)	Casing symbol	ESR (Ω max.)	Rated ripple current (mA rms)	Case φD × L (mm)	Casing symbol	ESR (Ω max.)	Rated ripple current (mA rms)	Case φD × L (mm)	Casing symbol	ESR (Ω max.)	Rated ripple current (mA rms)	Case φD × L (mm)	Casing symbol	ESR (Ω max.)	Rated ripple current (mA rms)
33	—	—	—	—	—	—	—	—	6.3×5.8	F61	0.44	230	6.3×5.8	F61	0.44	230	6.3×5.8	F61	0.44	230	
47	—	—	—	—	6.3×5.8	F61	0.44	230	6.3×5.8	F61	0.44	230	6.3×5.8	F61	0.44	230	6.3×5.8	F61	0.44	230	
68	6.3×5.8	F61	0.44	230	6.3×5.8	F61	0.44	230	6.3×5.8	F61	0.44	230	6.3×5.8	F61	0.44	230	6.3×7.7	F80	0.34	280	
100	6.3×5.8	F61	0.44	230	6.3×5.8	F61	0.44	230	6.3×5.8	F61	0.44	230	6.3×7.7	F80	0.34	280	8×10	G10	0.20	450	
150	6.3×5.8	F61	0.44	230	6.3×5.8	F61	0.44	230	6.3×7.7	F80	0.34	280	8×10	G10	0.20	450	8×10.5	GA5	0.17	450	
													8×10.5	GA5	0.17	450	10×10	H10	0.10	670	
220	6.3×5.8	F61	0.44	230	6.3×7.7	F80	0.34	280	6.3×7.7	F80	0.34	280	8×10.5	GA5	0.17	450	8×10.5	GA5	0.17	450	
	6.3×7.7	F80	0.34	280	8×10	G10	0.20	450	8×10	G10	0.20	450	10×10	H10	0.10	670	10×10	H10	0.10	670	
330	6.3×7.7	F80	0.34	280	8×10.5	GA5	0.17	450	8×10.5	GA5	0.17	450	8×10.5	GA5	0.17	450	10×10.5	HA5	0.090	670	
	8×10	G10	0.20	450	10×10	H10	0.10	670	10×10	H10	0.10	670									
470	8×10.5	GA5	0.17	450	8×10.5	GA5	0.17	450	8×10.5	GA5	0.17	450	10×10.5	HA5	0.090	670	12.5×13.5	IE	0.060	1100	
	10×10	H10	0.10	670	10×10	H10	0.10	670	10×10	H10	0.10	670					16×16.5	JH	0.046	1540	
680	8×10.5	GA5	0.17	450	10×10.5	HA5	0.090	670	10×10.5	HA5	0.090	670	12.5×13.5	IE	0.060	1100	12.5×13.5	IE	0.060	1100	
																	16×16.5	JH	0.046	1540	
1000	8×10.5	GA5	0.17	450	10×10.5	HA5	0.090	670	12.5×13.5	IE	0.060	1100	12.5×13.5	IE	0.060	1100	16×16.5	JH	0.046	1540	
	10×10	H10	0.10	670					16×16.5	JH	0.046	1540	16×16.5	JH	0.046	1540	18×16.5	KH	0.042	1760	
1500	10×10.5	HA5	0.090	670	12.5×13.5	IE	0.060	1100	12.5×13.5	IE	0.060	1100	16×21.5	JM	0.040	1840	—	—	—	—	
					16×16.5	JH	0.046	1540	16×16.5	JH	0.046	1540	18×16.5	KH	0.042	1760					
2200	12.5×13.5	IE	0.060	1100	12.5×13.5	IE	0.060	1100	16×16.5	JH	0.046	1540	16×21.5	JM	0.040	1840	18×21.5	KM	0.038	1960	
					16×16.5	JH	0.046	1540	18×16.5	KH	0.042	1760	18×16.5	KH	0.042	1760					
3300	16×16.5	JH	0.046	1540	16×16.5	JH	0.046	1540	16×21.5	JM	0.040	1840	18×21.5	KM	0.038	1960	—	—	—	—	
					18×16.5	KH	0.042	1760	18×16.5	KH	0.042	1760									
4700	16×21.5	JM	0.040	1840	16×21.5	JM	0.040	1840	18×21.5	KM	0.038	1960	—	—	—	—	—	—	—		
	18×16.5	KH	0.042	1760	18×21.5	KM	0.038	1960													
6800	18×21.5	KM	0.038	1960	—	—	—	—	—	—	—	—	—	—	—	—	—	—	—		
8200	18×21.5	KM	0.038	1960	—	—	—	—	—	—	—	—	—	—	—	—	—	—	—		

(Note) Rated ripple current : 105°C , 100kHz
ESR : 20°C , 100kHz

Chip Type 105°C Use, Low ESR, Long Life, For Vibration Capacitors

GREEN CAP SMD Vibration Resistance Low ESR 105°C 5000hours Anti-cleaning solvent

- Compatible with surface mounting.
- For Vibration resistance. (30G guaranteed)
- Supplied with carrier taping.
- Guaranteed 2000 hours at 105°C.
(6.3V to 50V 10.0L : 5000 hours)
(φ12.5 or more : 5000 hours)



Marking color : Black print

Specifications

Item	Performance																																						
Category temperature range (°C)	-55 to +105																																						
Tolerance at rated capacitance (%)	±20 (20°C, 120Hz)																																						
Leakage current (μA) (max.)	0.01CV or 3 whichever is larger (after 2 minutes) C : Rated capacitance (μF), V : Rated voltage (V) (20°C)																																						
Tangent of loss angle (tanδ)	<table border="1"> <thead> <tr> <th>Rated voltage (V)</th> <th>6.3</th> <th>10</th> <th>16</th> <th>25</th> <th>35</th> <th>50</th> <th>63</th> <th>80</th> <th>100</th> </tr> </thead> <tbody> <tr> <td>tanδ (max.)</td> <td>0.26</td> <td>0.19</td> <td>0.16</td> <td>0.14</td> <td>0.12</td> <td>0.1</td> <td>0.08</td> <td>0.08</td> <td>0.07</td> </tr> </tbody> </table>	Rated voltage (V)	6.3	10	16	25	35	50	63	80	100	tanδ (max.)	0.26	0.19	0.16	0.14	0.12	0.1	0.08	0.08	0.07																		
	Rated voltage (V)	6.3	10	16	25	35	50	63	80	100																													
tanδ (max.)	0.26	0.19	0.16	0.14	0.12	0.1	0.08	0.08	0.07																														
0.02 is added to every 1000μF increase over 1000μF (20°C, 120Hz)																																							
Characteristics at high and low temperature	<table border="1"> <thead> <tr> <th>Rated voltage (V)</th> <th>6.3</th> <th>10</th> <th>16</th> <th>25</th> <th>35</th> <th>50</th> <th>63</th> <th>80</th> <th>100</th> </tr> </thead> <tbody> <tr> <td rowspan="3">Impedance ratio (max.)</td> <td>Z-25°C/Z+20°C</td> <td>2</td> <td>2</td> <td>2</td> <td>2</td> <td>2</td> <td>2</td> <td>2</td> <td>2</td> </tr> <tr> <td>Z-40°C/Z+20°C</td> <td>3</td> <td>3</td> <td>3</td> <td>3</td> <td>3</td> <td>3</td> <td>3</td> <td>3</td> </tr> <tr> <td>Z-55°C/Z+20°C</td> <td>8</td> <td>4</td> <td>4</td> <td>3</td> <td>3</td> <td>3</td> <td>3</td> <td>3</td> </tr> </tbody> </table>	Rated voltage (V)	6.3	10	16	25	35	50	63	80	100	Impedance ratio (max.)	Z-25°C/Z+20°C	2	2	2	2	2	2	2	2	Z-40°C/Z+20°C	3	3	3	3	3	3	3	3	Z-55°C/Z+20°C	8	4	4	3	3	3	3	3
	Rated voltage (V)	6.3	10	16	25	35	50	63	80	100																													
	Impedance ratio (max.)	Z-25°C/Z+20°C	2	2	2	2	2	2	2	2																													
Z-40°C/Z+20°C		3	3	3	3	3	3	3	3																														
Z-55°C/Z+20°C		8	4	4	3	3	3	3	3																														
(120Hz)																																							
Endurance (105°C) (Applied ripple current)	Test time	2000 hours (φ 12.5 or more, 6.3V to 50V 10.0L : 5000 hours)																																					
	Leakage current	The initial specified value or less																																					
	Percentage of capacitance change	Within ±30% of initial value																																					
	Tangent of loss angle	200% or less of the initial specified value (φ 12.5 or more, 6.3V to 50V 10.0L : 300%)																																					
Shelf life (105°C)	Test time : 1000hours ; other items are same as the endurance. Voltage application treatment : According to JIS C5101-4 4.1																																						
Applicable standards	JIS C5101-1, -18 (IEC 60384-1, -18)																																						

Outline Drawing

Unit : mm

() : Reference size

φD	L	A	B	C	W	P	M	Casing symbol
6.3	5.8±0.3	6.6	6.6	2.7	0.5 to 0.8	2.0	0.4±0.2	F61
6.3	7.7±0.3	6.6	6.6	2.7	0.5 to 0.8	2.0	0.4±0.2	F80
8	10±0.5	8.4	8.4	3.0	0.7 to 1.1	3.1	0.4±0.2	G10
10	10±0.5	10.4	10.4	3.3	0.7 to 1.1	4.7	0.4±0.2	H10
12.5	13.5±0.5	13.0	13.0	4.9	1.0 to 1.4	4.6	0.7±0.3	IE
16	16.5±0.5	17.0	17.0	5.6	1.0 to 1.4	7.2	0.7±0.3	JH
16	21.5±0.5	17.0	17.0	5.6	1.0 to 1.4	7.2	0.7±0.3	JM
18	16.5±0.5	19.0	19.0	6.6	1.0 to 1.4	7.2	0.7±0.3	KH
18	21.5±0.5	19.0	19.0	6.6	1.0 to 1.4	7.2	0.7±0.3	KM

Refer to individual page.

(Soldering conditions, Land pattern size, The taping specifications)

Coefficient of Frequency for Rated Ripple Current

Frequency (Hz)	50 · 60	120	1k	10k · 100k
Rated voltage (V)				
6.3 to 100	0.50	0.50	0.75	1

Part numbering system

φ 6.3 (example : 6.3V220μF)

RTD	—	6	V	221	M	F61	U	□
Series code		Rated voltage symbol		Rated capacitance symbol	Capacitance tolerance symbol	Casing symbol		Taping symbol

φ 8, φ 10 (example : 6.3V1500μF)

RTD	—	6	V	152	M	H10	SU	□
Series code		Rated voltage symbol		Rated capacitance symbol	Capacitance tolerance symbol	Casing symbol		Taping symbol

φ 12.5 or more (example : 6.3V2200μF)

RTD	—	6	V	222	M	IE	T	—	R5
Series code		Rated voltage symbol		Rated capacitance symbol	Capacitance tolerance symbol	Casing symbol			Taping symbol

*If "Standard (terminal)" type is required, please see the series RVD.

NOTE : Design, Specifications are subject to change without notice.
It is recommended that you shall obtain technical specifications from ELNA to ensure that the component is suitable for your use.

Standard Ratings

Rated voltage (V)	Item	6.3				10				16				25				35							
		Case φD × L (mm)	Casing symbol	ESR (Ω max.)	Rated ripple current (mArms)	Case φD × L (mm)	Casing symbol	ESR (Ω max.)	Rated ripple current (mArms)	Case φD × L (mm)	Casing symbol	ESR (Ω max.)	Rated ripple current (mArms)	Case φD × L (mm)	Casing symbol	ESR (Ω max.)	Rated ripple current (mArms)	Case φD × L (mm)	Casing symbol	ESR (Ω max.)	Rated ripple current (mArms)				
33		—	—	—	—	—	—	—	—	—	—	—	—	—	—	—	—	—	—	—	—	—			
47		—	—	—	—	—	—	—	—	6.3×5.8	F61	0.36	250	6.3×5.8	F61	0.36	250	6.3×5.8	F61	0.36	250				
100		—	—	—	—	—	—	—	—	6.3×5.8	F61	0.36	250	6.3×7.7	F80	0.30	300	6.3×7.7	F80	0.30	300	8×10	G10	0.16	600
220		6.3×5.8	F61	0.36	250	6.3×7.7	F80	0.30	300	6.3×7.7	F80	0.30	300	8×10	G10	0.16	600	8×10	G10	0.16	600	8×10	G10	0.16	600
330		6.3×7.7	F80	0.30	300	8×10	G10	0.16	600	8×10	G10	0.16	600	8×10	G10	0.16	600	8×10	G10	0.16	600	10×10	H10	0.090	850
470		8×10	G10	0.16	600	8×10	G10	0.16	600	8×10	G10	0.16	600	10×10	H10	0.090	850	12.5×13.5	IE	0.054	1160	12.5×13.5	IE	0.054	1160
680		8×10	G10	0.16	600	10×10	H10	0.090	850	10×10	H10	0.090	850	12.5×13.5	IE	0.054	1160	12.5×13.5	IE	0.054	1160	16×16.5	JH	0.044	1620
1000		8×10	G10	0.16	600	10×10	H10	0.090	850	12.5×13.5	IE	0.054	1160	12.5×13.5	IE	0.054	1160	16×16.5	JH	0.044	1620	18×16.5	KH	0.040	1840
1500		10×10	H10	0.090	850	12.5×13.5	IE	0.054	1160	12.5×13.5	IE	0.054	1160	16×16.5	JH	0.044	1620	18×16.5	KH	0.040	1840	18×16.5	KH	0.040	1840
2200		12.5×13.5	IE	0.054	1160	12.5×13.5	IE	0.054	1160	16×16.5	JH	0.044	1620	16×21.5	JM	0.038	1920	18×16.5	KH	0.040	1840	18×21.5	KM	0.036	2080
3300		16×16.5	JH	0.044	1620	16×16.5	JH	0.044	1620	16×21.5	JM	0.038	1920	18×16.5	KH	0.040	1840	18×21.5	KM	0.036	2080	—	—	—	—
4700		18×16.5	KH	0.040	1840	18×21.5	KM	0.036	2080	18×21.5	KM	0.036	2080	—	—	—	—	—	—	—	—	—	—	—	
6800		18×16.5	KH	0.040	1840	—	—	—	—	—	—	—	—	—	—	—	—	—	—	—	—	—	—	—	
8200		18×21.5	KM	0.036	2080	—	—	—	—	—	—	—	—	—	—	—	—	—	—	—	—	—	—	—	

Rated voltage (V)	Item	50				63				80				100			
		Case φD × L (mm)	Casing symbol	ESR (Ω max.)	Rated ripple current (mArms)	Case φD × L (mm)	Casing symbol	ESR (Ω max.)	Rated ripple current (mArms)	Case φD × L (mm)	Casing symbol	ESR (Ω max.)	Rated ripple current (mArms)	Case φD × L (mm)	Casing symbol	ESR (Ω max.)	Rated ripple current (mArms)
10		6.3×5.8	F61	0.86	170	—	—	—	—	—	—	—	—	—	—	—	—
22		6.3×5.8	F61	0.86	170	—	—	—	—	8×10	G10	0.90	130	8×10	G10	1.30	130
33		6.3×7.7	F80	0.66	195	8×10	G10	0.65	250	8×10	G10	0.90	130	10×10	H10	0.70	200
47		6.3×7.7	F80	0.66	195	8×10	G10	0.65	250	10×10	H10	0.50	200	—	—	—	—
68		—	—	—	—	8×10	G10	0.65	250	—	—	—	—	—	—	—	—
100		8×10	G10	0.32	350	10×10	H10	0.35	400	12.5×13.5	IE	0.18	550	16×16.5	JH	0.17	700
220		10×10	H10	0.18	700	12.5×13.5	IE	0.16	600	16×16.5	JH	0.16	720	18×16.5	KH	0.15	800
330		12.5×13.5	IE	0.12	900	16×16.5	JH	0.14	800	18×16.5	KH	0.13	830	18×21.5	KM	0.13	940
470		16×16.5	JH	0.080	1000	18×16.5	KH	0.12	900	18×21.5	KM	0.11	1000	—	—	—	—
680		16×16.5	JH	0.080	1000	18×21.5	KM	0.10	1050	—	—	—	—	—	—	—	—
1000		18×16.5	KH	0.076	1100	—	—	—	—	—	—	—	—	—	—	—	—

(Note) Rated ripple current : 105°C , 100kHz
ESR : 20°C , 100kHz

Chip Type 125°C Use, Low ESR, For Vibration Capacitors

GREEN CAP

SMD

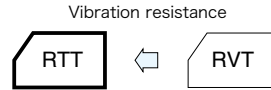
Vibration Resistance

Low ESR

125°C 5000hours

Anti-cleaning solvent

- Compatible with surface mounting.
- For Vibration resistance. (30G guaranteed)
- Supplied with carrier taping.
- Guaranteed 1000 to 5000 hours at 125°C. (See table below)



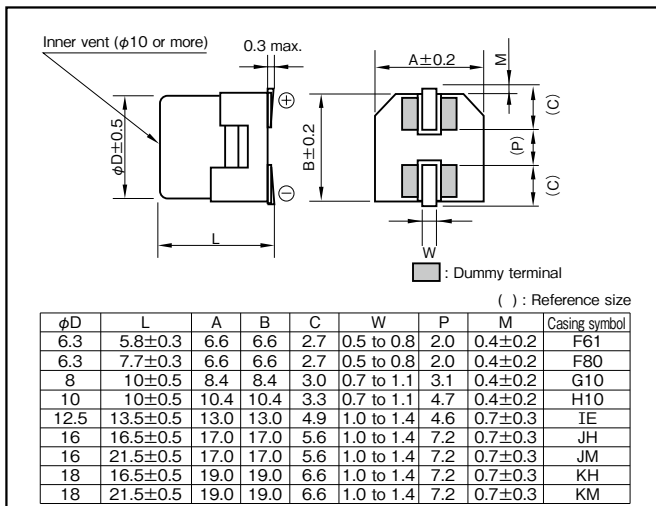
Marking color : Black print

Specifications

Item	Performance																												
Category temperature range (°C)	-40 to +125																												
Tolerance at rated capacitance (%)	±20 (20°C,120Hz)																												
Leakage current (µA) (max.)	0.01CV or 3 whichever is larger (after 2 minutes) C : Rated capacitance (µF) , V : Rated voltage (V) (20°C)																												
Tangent of loss angle (tanδ)	<table border="1"> <thead> <tr> <th>Rated voltage (V)</th> <th>10</th> <th>16</th> <th>25</th> <th>35</th> <th>50</th> <th>63</th> <th>80</th> <th>100</th> </tr> </thead> <tbody> <tr> <td>Tangent of loss angle</td> <td>0.24</td> <td>0.20</td> <td>0.16</td> <td>0.14</td> <td>0.14</td> <td>0.12</td> <td>0.12</td> <td>0.10</td> </tr> </tbody> </table> <p>0.02 is added to every 1000µF increase over 1000µF (20°C,120Hz)</p>	Rated voltage (V)	10	16	25	35	50	63	80	100	Tangent of loss angle	0.24	0.20	0.16	0.14	0.14	0.12	0.12	0.10										
Rated voltage (V)	10	16	25	35	50	63	80	100																					
Tangent of loss angle	0.24	0.20	0.16	0.14	0.14	0.12	0.12	0.10																					
Characteristics at high and low temperature	<table border="1"> <thead> <tr> <th>Rated voltage (V)</th> <th>10</th> <th>16</th> <th>25</th> <th>35</th> <th>50</th> <th>63</th> <th>80</th> <th>100</th> </tr> </thead> <tbody> <tr> <td rowspan="2">Impedance ratio (max.)</td> <td>Z-25°C/Z+20°C</td> <td>3</td> <td>2</td> <td>2</td> <td>2</td> <td>2</td> <td>2</td> <td>2</td> </tr> <tr> <td>Z-40°C/Z+20°C</td> <td>4</td> <td>3</td> <td>3</td> <td>3</td> <td>3</td> <td>3</td> <td>3</td> </tr> </tbody> </table> <p>(120Hz)</p>	Rated voltage (V)	10	16	25	35	50	63	80	100	Impedance ratio (max.)	Z-25°C/Z+20°C	3	2	2	2	2	2	2	Z-40°C/Z+20°C	4	3	3	3	3	3	3		
Rated voltage (V)	10	16	25	35	50	63	80	100																					
Impedance ratio (max.)	Z-25°C/Z+20°C	3	2	2	2	2	2	2																					
	Z-40°C/Z+20°C	4	3	3	3	3	3	3																					
Endurance (125°C) (Applied ripple current)	<table border="1"> <thead> <tr> <th>Test time</th> <th>1000 hours (φ6.3)</th> <th>2000 hours (φ8, φ10)</th> <th>3000 hours (63V to 100V : φ12.5)</th> <th>3500 hours (63V to 100V : φ16x16.5L, φ18x16.5L)</th> <th>4000 hours (63V to 100V : φ16x21.5L, φ18x21.5L)</th> <th>5000 hours (50V or less : φ12.5 or more)</th> </tr> </thead> <tbody> <tr> <td>Leakage current</td> <td colspan="6">The initial specified value or less</td> </tr> <tr> <td>Percentage of capacitance change</td> <td colspan="6">Within ±30% of initial value</td> </tr> <tr> <td>Tangent of loss angle</td> <td colspan="6">300% or less of the initial specified value</td> </tr> </tbody> </table>	Test time	1000 hours (φ6.3)	2000 hours (φ8, φ10)	3000 hours (63V to 100V : φ12.5)	3500 hours (63V to 100V : φ16x16.5L, φ18x16.5L)	4000 hours (63V to 100V : φ16x21.5L, φ18x21.5L)	5000 hours (50V or less : φ12.5 or more)	Leakage current	The initial specified value or less						Percentage of capacitance change	Within ±30% of initial value						Tangent of loss angle	300% or less of the initial specified value					
Test time	1000 hours (φ6.3)	2000 hours (φ8, φ10)	3000 hours (63V to 100V : φ12.5)	3500 hours (63V to 100V : φ16x16.5L, φ18x16.5L)	4000 hours (63V to 100V : φ16x21.5L, φ18x21.5L)	5000 hours (50V or less : φ12.5 or more)																							
Leakage current	The initial specified value or less																												
Percentage of capacitance change	Within ±30% of initial value																												
Tangent of loss angle	300% or less of the initial specified value																												
Shelf life (125°C)	Test time : 1000hours ; other items are same as the endurance. Voltage application treatment : According to JIS C5101-4 4.1																												
Applicable standards	JIS C5101 - 1, - 18 (IEC 60384 - 1, - 18)																												

Outline Drawing

Unit : mm



Refer to individual page.
(Soldering conditions, Land pattern size, The taping specifications)

Coefficient of Frequency for Rated Ripple Current

Frequency (Hz)	120	1k	10k	100k
Rated voltage (V)				
10 to 100	0.77	0.88	0.96	1

Part numbering system

φ6.3 (10V220µF)

RTT	—	10	V	221	M	F80	U	—	□
Series code		Rated voltage symbol		Rated capacitance symbol	Capacitance tolerance symbol	Casing symbol			Taping symbol

φ8, φ10 (example : 35V100µF)

RTT	—	35	V	101	M	H10	SU	—	□
Series code		Rated voltage symbol		Rated capacitance symbol	Capacitance tolerance symbol	Casing symbol			Taping symbol

50V or less : φ12.5 or more (35V1000µF)

RTT	—	35	V	102	M	KM	T	—	R5
Series code		Rated voltage symbol		Rated capacitance symbol	Capacitance tolerance symbol	Casing symbol			Taping symbol

63V to 100V : φ12.5 or more (63V220µF)

RTT	—	63	V	221	M	JH	KT	—	R5
Series code		Rated voltage symbol		Rated capacitance symbol	Capacitance tolerance symbol	Casing symbol			Taping symbol

*If "Standard (terminal)" type is required, please see the series RVT.

NOTE : Design, Specifications are subject to change without notice.
It is recommended that you shall obtain technical specifications from ELNA to ensure that the component is suitable for your use.

Standard Ratings

Rated voltage (V)	Item	10				16				25				35				50			
		Case φD × L (mm)	ESR (Ω max.)		Rated ripple current (mA _{RMS})	Case φD × L (mm)	ESR (Ω max.)		Rated ripple current (mA _{RMS})	Case φD × L (mm)	ESR (Ω max.)		Rated ripple current (mA _{RMS})	Case φD × L (mm)	ESR (Ω max.)		Rated ripple current (mA _{RMS})	Case φD × L (mm)	ESR (Ω max.)		Rated ripple current (mA _{RMS})
			20°C	-40°C			20°C	-40°C			20°C	-40°C			20°C	-40°C			20°C	-40°C	
10	—	—	—	—	—	—	—	—	—	—	—	—	6.3×5.8	1.0	15	114	6.3×5.8	3.2	48	58	
22	—	—	—	—	—	—	—	—	6.3×5.8	1.0	15	114	6.3×5.8	1.0	15	114	6.3×7.7	1.2	18	95	
33	—	—	—	—	6.3×5.8	1.0	15	114	6.3×5.8	1.0	15	114	6.3×7.7	0.60	9.0	165	6.3×7.7	1.2	18	95	
47	—	—	—	—	6.3×5.8	1.0	15	114	6.3×7.7	0.60	9.0	165	6.3×7.7	0.60	9.0	165	8×10	0.50	7.5	180	
100	—	—	—	—	—	—	—	—	6.3×7.7	0.60	9.0	165	8×10	0.20	2.0	340	8×10	0.30	4.5	280	
220	6.3×7.7	0.60	9.0	165	8×10	0.20	2.0	340	8×10	0.20	2.0	340	8×10	0.20	2.0	340	10×10	0.15	1.5	500	
330	8×10	0.20	2.0	340	10×10	0.15	1.5	500	10×10	0.15	1.5	500	10×10	0.15	1.5	500	12.5×13.5	0.18	2.7	550	
470	10×10	0.15	1.5	500	10×10	0.15	1.5	500	10×10	0.15	1.5	500	12.5×13.5	0.086	1.29	750	12.5×13.5	0.086	1.29	750	
680	12.5×13.5	0.086	1.29	750	12.5×13.5	0.086	1.29	750	16×16.5	0.060	0.90	1000	16×16.5	0.060	0.90	1000	16×16.5	0.060	0.90	1000	
1000	12.5×13.5	0.086	1.29	750	18×16.5	0.050	0.75	1200	18×16.5	0.050	0.75	1200	18×21.5	0.042	0.63	1550	18×21.5	0.042	0.63	1550	
2200	16×16.5	0.060	0.90	1000	18×16.5	0.050	0.75	1200	—	—	—	—	—	—	—	—	—	—	—	—	
3300	18×16.5	0.050	0.75	1200	18×21.5	0.042	0.63	1550	—	—	—	—	—	—	—	—	—	—	—	—	
4700	18×21.5	0.042	0.63	1550	—	—	—	—	—	—	—	—	—	—	—	—	—	—	—	—	

Rated voltage (V)	Item	63				80				100			
		Case φD × L (mm)	ESR (Ω max.)		Rated ripple current (mA _{RMS})	Case φD × L (mm)	ESR (Ω max.)		Rated ripple current (mA _{RMS})	Case φD × L (mm)	ESR (Ω max.)		Rated ripple current (mA _{RMS})
			20°C	-40°C			20°C	-40°C			20°C	-40°C	
10	—	—	—	—	8×10	0.75	15	110	8×10	0.75	15	110	
22	8×10	0.70	14	140	8×10	0.75	15	110	8×10	0.75	15	110	
33	8×10	0.70	14	140	10×10	0.55	11	150	10×10	0.55	11	150	
47	10×10	0.50	10	200	8×10	0.75	15	110	10×10	0.55	11	150	
100	12.5×13.5	0.25	3.75	400	10×10	0.50	10	200	—	—	—	—	
220	16×16.5	0.22	3.3	500	—	—	—	—	12.5×13.5	0.32	4.8	300	
330	16×16.5	0.22	3.3	500	16×16.5	0.24	3.6	480	16×16.5	0.24	3.6	480	
470	16×21.5	0.16	2.4	650	16×21.5	0.18	2.7	600	18×21.5	0.16	2.4	700	
					18×21.5	0.12	1.8	1000	—	—	—	—	
					—	—	—	—	—	—	—	—	

(Note) Rated ripple current : 125°C , 100kHz
ESR : 100kHz

Chip Type 150°C Use, Low ESR, For Vibration Capacitors

GREEN CAP

SMD

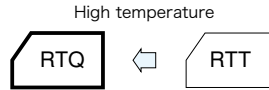
Vibration Resistance

Low ESR

150°C 1000hours

Anti-cleaning solvent

- Compatible with surface mounting.
- For Vibration resistance. (30G guaranteed)
- Supplied with carrier taping.
- Guaranteed 1000 hours at 150°C.



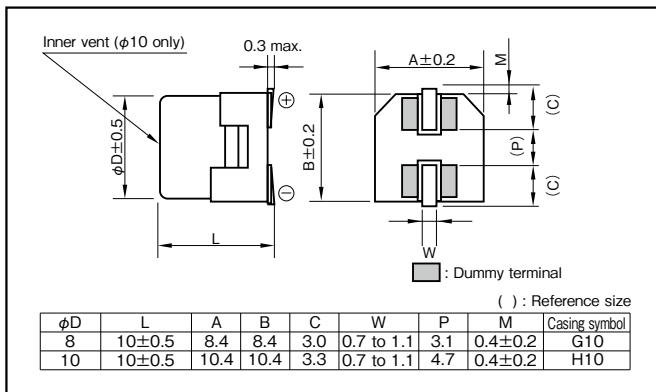
Marking color : Black print

Specifications

Item	Performance																
Category temperature range (°C)	-40 to +150																
Tolerance at rated capacitance (%)	±20 (20°C, 120Hz)																
Leakage current (µA) (max.)	Less than 0.02CV or 3 whichever is larger (after 2 minutes) C : Rated capacitance (µF), V : Rated voltage (V) (20°C)																
Tangent of loss angle (tanδ)	<table border="1"> <tr> <th>Rated voltage (V)</th> <td>10</td> <td>16</td> <td>25</td> <td>35</td> </tr> <tr> <th>tanδ (max.)</th> <td>0.26</td> <td>0.20</td> <td>0.16</td> <td>0.14</td> </tr> </table>	Rated voltage (V)	10	16	25	35	tanδ (max.)	0.26	0.20	0.16	0.14						
	Rated voltage (V)	10	16	25	35												
tanδ (max.)	0.26	0.20	0.16	0.14													
0.02 is added to every 1000µF increase over 1000µF (20°C, 120Hz)																	
Characteristics at high and low temperature	<table border="1"> <tr> <th>Rated voltage (V)</th> <td>10</td> <td>16</td> <td>25</td> <td>35</td> </tr> <tr> <th rowspan="2">Impedance ratio (max.)</th> <td>Z-25°C/Z+20°C</td> <td>3</td> <td>2</td> <td>2</td> <td>2</td> </tr> <tr> <td>Z-40°C/Z+20°C</td> <td>7</td> <td>5</td> <td>3</td> <td>3</td> </tr> </table>	Rated voltage (V)	10	16	25	35	Impedance ratio (max.)	Z-25°C/Z+20°C	3	2	2	2	Z-40°C/Z+20°C	7	5	3	3
	Rated voltage (V)	10	16	25	35												
Impedance ratio (max.)	Z-25°C/Z+20°C	3	2	2	2												
	Z-40°C/Z+20°C	7	5	3	3												
(120Hz)																	
Endurance (150°C) (Applied ripple current)	Test time	1000 hours															
	Leakage current	The initial specified value or less															
	Percentage of capacitance change	Within ±30% of initial value															
	Tangent of loss angle	300% or less of the initial specified value															
Shelf life (150°C)	Test time : 1000hours ; other items are same as the endurance. Voltage application treatment : According to JIS C5101-4 4.1																
Applicable standards	JIS C5101 - 1, - 18 (IEC 60384 - 1, - 18)																

Outline Drawing

Unit : mm



Refer to individual page.
(Soldering conditions, Land pattern size, The taping specifications)

Coefficient of Frequency for Rated Ripple Current

Frequency (Hz)	120	1k	10k	100k
Rated voltage (V)	120	1k	10k	100k
10 to 35	0.77	0.88	0.96	1

Part numbering system

φ 10X10L (example : 35V100µF)

RTQ	—	35	V	101	M	H10	U	Q	—	□
Series code		Rated voltage symbol		Rated capacitance symbol	Capacitance tolerance symbol	Casing symbol		Additional symbol		Taping symbol

Standard Ratings

Rated voltage (V) \ Rated capacitance (µF)	10				16				25			
	Case φD×L (mm)	Casing symbol	ESR (Ω max.)	Rated ripple current (mArms)	Case φD×L (mm)	Casing symbol	ESR (Ω max.)	Rated ripple current (mArms)	Case φD×L (mm)	Casing symbol	ESR (Ω max.)	Rated ripple current (mArms)
47	—	—	—	—	8 × 10	G10	0.70	120	8 × 10	G10	0.70	120
68	—	—	—	—	8 × 10	G10	0.70	120	8 × 10	G10	0.70	120
100	8 × 10	G10	0.70	120	8 × 10	G10	0.70	120	8 × 10	G10	0.70	120
150	—	—	—	—	10 × 10	H10	0.40	160	10 × 10	H10	0.40	160
220	8 × 10	G10	0.70	120	10 × 10	H10	0.40	160	10 × 10	H10	0.40	160
330	10 × 10	H10	0.40	160	10 × 10	H10	0.40	160	—	—	—	—
470	10 × 10	H10	0.40	160	—	—	—	—	—	—	—	—

Rated voltage (V) \ Rated capacitance (µF)	35			
	Case φD×L (mm)	Casing symbol	ESR (Ω max.)	Rated ripple current (mArms)
33	8 × 10	G10	0.70	120
47	8 × 10	G10	0.70	120
68	8 × 10	G10	0.70	120
100	10 × 10	H10	0.40	160
150	10 × 10	H10	0.40	160

(Note) Rated ripple current : 150°C, 100kHz ; ESR : 20°C, 100kHz

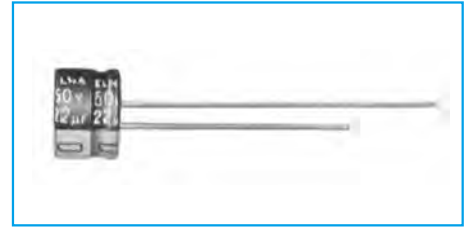
NOTE : Design, Specifications are subject to change without notice.
It is recommended that you shall obtain technical specifications from ELNA to ensure that the component is suitable for your use.

Miniature Type Aluminum Electrolytic Capacitors

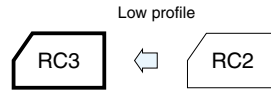
5mm L, Standard Capacitors

GREEN CAP

- Diameters from $\phi 4$ to $\phi 8$ mm and a height of 5mm.



Marking color : White print on a blue sleeve

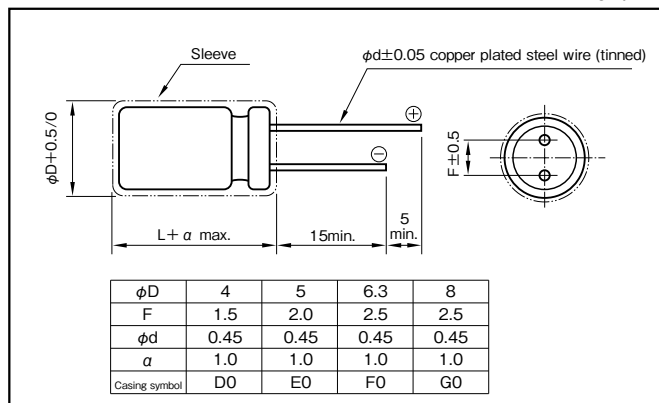


Specifications

Item	Performance	
Category temperature range (°C)	-40 to +85	
Tolerance at rated capacitance (%)	±20 (20°C, 120Hz)	
Leakage current (µA) (max.)	0.01CV or 3 whichever is larger (after 2 minutes) C : Rated capacitance (µF); V : Rated voltage (V) (20°C)	
Tangent of loss angle (tanδ)	Rated voltage (V)	
	tanδ (max.)	
Characteristics at high and low temperature	Rated voltage (V)	
	Impedance ratio (max.)	
Endurance (85°C) (Applied ripple current)	Test time	
	Leakage current	
	Percentage of capacitance change	
	Tangent of the loss angle	
Shelf life (85°C)	Test time : 1000hours ; other items are same as the endurance. Voltage application treatment : According to JIS C5101-4 4.1	
Applicable standards	JIS C5101 - 1, - 4 (IEC 60384 - 1, - 4)	

Outline Drawing

Unit : mm



Coefficient of Frequency for Rated Ripple Current

Rated voltage (V)	Frequency (Hz)			
	50 · 60	120	1k	10k · 100k
4 to 16	0.8	1	1.1	1.2
25 to 35	0.8	1	1.5	1.7
50	0.8	1	1.6	1.9

Part numbering system (example : 6.3V100µF)

RC3	—	6	V	101	M	F0	#	—	□
Series code		Rated voltage symbol		Rated capacitance symbol	Capacitance tolerance symbol	Casing symbol			Taping (Forming) symbol

Standard Ratings

Rated capacitance (µF)	4		6.3		10		16		25		35		50	
	Case φD×L (mm)	Rated ripple current (mA _{rms})	Case φD×L (mm)	Rated ripple current (mA _{rms})	Case φD×L (mm)	Rated ripple current (mA _{rms})	Case φD×L (mm)	Rated ripple current (mA _{rms})	Case φD×L (mm)	Rated ripple current (mA _{rms})	Case φD×L (mm)	Rated ripple current (mA _{rms})	Case φD×L (mm)	Rated ripple current (mA _{rms})
1	—	—	—	—	—	—	—	—	—	—	—	—	4×5	10
2.2	—	—	—	—	—	—	—	—	—	—	4×5	14	4×5	15
3.3	—	—	—	—	—	—	—	—	4×5	15	4×5	17	4×5	18
4.7	—	—	—	—	—	—	4×5	17	4×5	18	4×5	20	5×5	25
10	—	—	4×5	20	4×5	22	4×5	25	5×5	30	5×5	30	6.3×5	40
22	4×5	25	4×5	30	5×5	35	5×5	40	6.3×5	50	6.3×5	55	8×5	75
33	4×5	30	5×5	40	5×5	45	6.3×5	60	6.3×5	65	8×5	80	8×5	90
47	4×5	35	5×5	50	6.3×5	65	6.3×5	70	8×5	95	8×5	100	—	—
100	5×5	60	6.3×5	85	6.3×5	95	8×5	125	8×5	135	—	—	—	—
220	6.3×5	105	8×5	145	8×5	155	—	—	—	—	—	—	—	—
330	8×5	150	8×5	175	—	—	—	—	—	—	—	—	—	—
470	8×5	180	—	—	—	—	—	—	—	—	—	—	—	—

(Note) Rated ripple current : 85°C, 120Hz.

NOTE : Design, Specifications are subject to change without notice.
It is recommended that you shall obtain technical specifications from ELNA to ensure that the component is suitable for your use.

5mm L, 105°C Use Capacitors

GREEN CAP

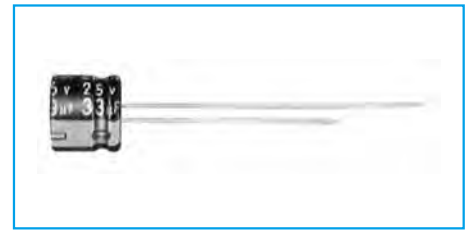
105°C
1000hours

Anti-cleaning solvent

- Diameters from $\phi 4$ to $\phi 6.3$ mm and a height of 5mm.
- Guarantees 1000 hours at 105°C.



High temperature



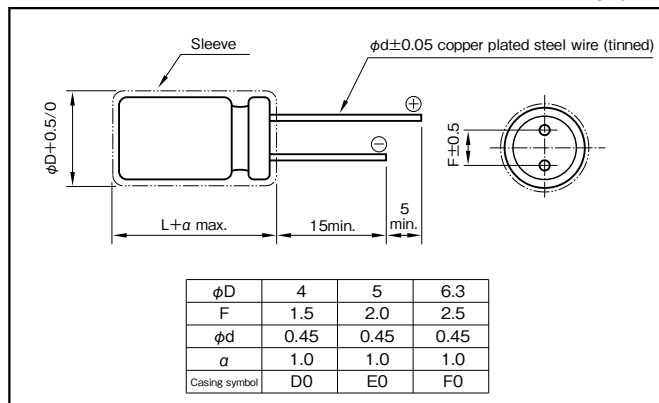
Marking color : White print on a black sleeve

Specifications

Item	Performance																				
Category temperature range (°C)	-55 to +105																				
Tolerance at rated capacitance (%)	±20 (20°C, 120Hz)																				
Leakage current (µA) (max.)	0.01CV or 3 whichever is larger (after 2 minutes) C : Rated capacitance (µF); V : Rated voltage (V) (20°C)																				
Tangent of loss angle (tanδ)	<table border="1"> <thead> <tr> <th>Rated voltage (V)</th> <th>6.3</th> <th>10</th> <th>16</th> <th>25</th> <th>35</th> <th>50</th> </tr> </thead> <tbody> <tr> <td>tanδ (max.)</td> <td>0.28</td> <td>0.24</td> <td>0.20</td> <td>0.14</td> <td>0.12</td> <td>0.10</td> </tr> </tbody> </table> <p>(20°C, 120Hz)</p>	Rated voltage (V)	6.3	10	16	25	35	50	tanδ (max.)	0.28	0.24	0.20	0.14	0.12	0.10						
Rated voltage (V)	6.3	10	16	25	35	50															
tanδ (max.)	0.28	0.24	0.20	0.14	0.12	0.10															
Characteristics at high and low temperature	<table border="1"> <thead> <tr> <th>Rated voltage (V)</th> <th>6.3</th> <th>10</th> <th>16</th> <th>25</th> <th>35</th> <th>50</th> </tr> </thead> <tbody> <tr> <td rowspan="2">Impedance ratio (max.)</td> <td>Z-25°C/Z+20°C</td> <td>3</td> <td>3</td> <td>2</td> <td>2</td> <td>2</td> </tr> <tr> <td>Z-40°C/Z+20°C</td> <td>8</td> <td>5</td> <td>4</td> <td>3</td> <td>3</td> </tr> </tbody> </table> <p>(120Hz)</p>	Rated voltage (V)	6.3	10	16	25	35	50	Impedance ratio (max.)	Z-25°C/Z+20°C	3	3	2	2	2	Z-40°C/Z+20°C	8	5	4	3	3
Rated voltage (V)	6.3	10	16	25	35	50															
Impedance ratio (max.)	Z-25°C/Z+20°C	3	3	2	2	2															
	Z-40°C/Z+20°C	8	5	4	3	3															
Endurance (105°C) (Applied ripple current)	<table border="1"> <tbody> <tr> <td>Test time</td> <td>1000 hours</td> </tr> <tr> <td>Leakage current</td> <td>The initial specified value or less</td> </tr> <tr> <td>Percentage of capacitance change</td> <td>Within ±20% of initial value</td> </tr> <tr> <td>Tangent of the loss angle</td> <td>200% or less of the initial specified value</td> </tr> </tbody> </table>	Test time	1000 hours	Leakage current	The initial specified value or less	Percentage of capacitance change	Within ±20% of initial value	Tangent of the loss angle	200% or less of the initial specified value												
Test time	1000 hours																				
Leakage current	The initial specified value or less																				
Percentage of capacitance change	Within ±20% of initial value																				
Tangent of the loss angle	200% or less of the initial specified value																				
Shelf life (105°C)	Test time : 1000hours ; other items are same as the endurance. Voltage application treatment : According to JIS C5101-4 4.1																				
Applicable standards	JIS C5101 - 1,- 4 (IEC 60384 - 1,- 4)																				

Outline Drawing

Unit : mm



Coefficient of Frequency for Rated Ripple Current

Rated voltage (V) \ Frequency (Hz)	50 · 60	120	1k	10k · 100k
6.3 to 16	0.64	0.80	0.92	1
25 to 35	0.57	0.71	0.89	1
50	0.53	0.67	0.90	1

Part numbering system (example : 16V47µF)

R3S	—	16	V	470	M	F0	#	—	□
Series code		Rated voltage symbol		Rated capacitance symbol	Capacitance tolerance symbol	Casing symbol			Taping/Forming symbol

Standard Ratings

Rated voltage (V) \ Item	6.3		10		16		25		35		50	
	Case $\phi D \times L$ (mm)	Rated ripple current (mA rms)	Case $\phi D \times L$ (mm)	Rated ripple current (mA rms)	Case $\phi D \times L$ (mm)	Rated ripple current (mA rms)	Case $\phi D \times L$ (mm)	Rated ripple current (mA rms)	Case $\phi D \times L$ (mm)	Rated ripple current (mA rms)	Case $\phi D \times L$ (mm)	Rated ripple current (mA rms)
1	—	—	—	—	—	—	—	—	—	—	4×5	11
2.2	—	—	—	—	—	—	—	—	—	—	4×5	17
3.3	—	—	—	—	—	—	—	—	4×5	17	4×5	20
4.7	—	—	—	—	4×5	15	4×5	18	4×5	20	5×5	27
10	—	—	4×5	20	4×5	23	5×5	31	5×5	34	6.3×5	45
22	4×5	26	5×5	34	5×5	38	6.3×5	53	6.3×5	57	—	—
33	5×5	33	5×5	43	6.3×5	56	6.3×5	66	—	—	—	—
47	5×5	45	6.3×5	58	6.3×5	65	—	—	—	—	—	—
100	6.3×5	78	—	—	—	—	—	—	—	—	—	—

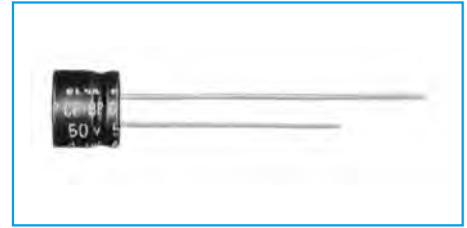
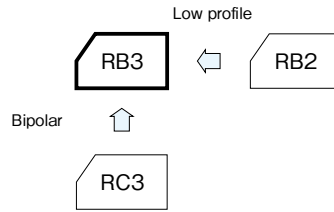
(Note) Rated ripple current : 105°C, 100kHz.

NOTE : Design, Specifications are subject to change without notice.
It is recommended that you shall obtain technical specifications from ELNA to ensure that the component is suitable for your use.

5mm L, Bipolar Capacitors

GREEN CAP

- Diameters from $\phi 4$ to $\phi 6.3$ mm and a height of 5mm.



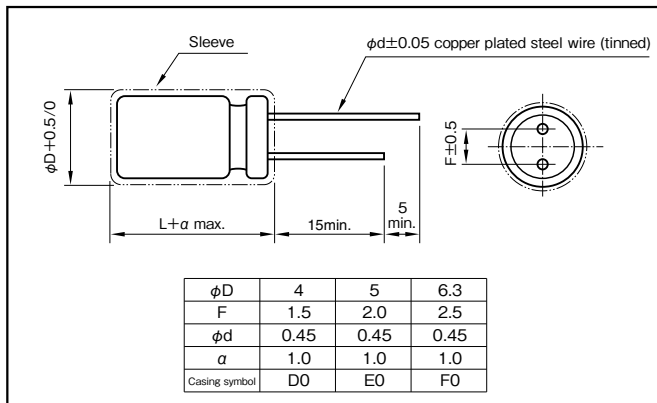
Marking color : White print on a blue sleeve

Specifications

Item	Performance																							
Category temperature range (°C)	-40 to +85																							
Tolerance at rated capacitance (%)	±20 (20°C, 120Hz)																							
Leakage current (μA) (max.)	0.03CV + 3 (after 5 minutes) C : Rated capacitance (μF); V : Rated voltage (V) (20°C)																							
Tangent of loss angle (tanδ)	<table border="1"> <thead> <tr> <th colspan="2">Rated voltage (V)</th> <th>6.3</th> <th>10</th> <th>16</th> <th>25</th> <th>35</th> <th>50</th> </tr> </thead> <tbody> <tr> <td rowspan="2">tanδ (max.)</td> <td>$\phi 4$</td> <td>0.35</td> <td>0.30</td> <td>0.25</td> <td>0.20</td> <td>0.20</td> <td>0.20</td> </tr> <tr> <td>$\phi 5, 6.3$</td> <td>0.30</td> <td>0.25</td> <td>0.20</td> <td>0.15</td> <td>0.15</td> <td>0.15</td> </tr> </tbody> </table>	Rated voltage (V)		6.3	10	16	25	35	50	tanδ (max.)	$\phi 4$	0.35	0.30	0.25	0.20	0.20	0.20	$\phi 5, 6.3$	0.30	0.25	0.20	0.15	0.15	0.15
	Rated voltage (V)		6.3	10	16	25	35	50																
tanδ (max.)	$\phi 4$	0.35	0.30	0.25	0.20	0.20	0.20																	
	$\phi 5, 6.3$	0.30	0.25	0.20	0.15	0.15	0.15																	
Endurance (85°C)	Test time	1000 hours (with the polarity inverted every 250 hours)																						
	Leakage current	The initial specified value or less																						
	Percentage of capacitance change	Within ±20% of initial value																						
	Tangent of the loss angle	200% or less of the initial specified value																						
Applicable standards	JIS C5101 - 1, - 4 (IEC 60384 - 1, - 4)																							

Outline Drawing

Unit : mm



Coefficient of Frequency for Rated Ripple Current

Rated voltage (V)	Frequency (Hz)			
	50 · 60	120	1k	10k · 100k
6.3 to 16	0.8	1	1.1	1.2
25 to 35	0.8	1	1.5	1.7
50	0.8	1	1.6	1.9

Part numbering system (example : 10V47μF)

RB3	—	10	V	470	M	F0	#	—	□
Series code		Rated voltage symbol		Rated capacitance symbol	Capacitance tolerance symbol	Casing symbol			Taping(Forming) symbol

Standard Ratings

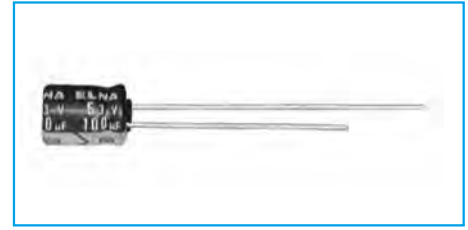
Rated voltage (V)	6.3		10		16		25		35		50	
	Case	Rated ripple current (mArms)	Case	Rated ripple current (mArms)	Case	Rated ripple current (mArms)	Case	Rated ripple current (mArms)	Case	Rated ripple current (mArms)	Case	Rated ripple current (mArms)
Rated capacitance (μF)	$\phi D \times L$ (mm)		$\phi D \times L$ (mm)		$\phi D \times L$ (mm)		$\phi D \times L$ (mm)		$\phi D \times L$ (mm)		$\phi D \times L$ (mm)	
0.33	—	—	—	—	—	—	—	—	—	—	4×5	4
0.47	—	—	—	—	—	—	—	—	—	—	4×5	5
1	—	—	—	—	—	—	—	—	—	—	4×5	7
2.2	—	—	—	—	—	—	—	—	4×5	11	5×5	14
3.3	—	—	—	—	—	—	4×5	13	5×5	17	6.3×5	20
4.7	—	—	—	—	4×5	14	5×5	21	6.3×5	24	6.3×5	24
10	—	—	4×5	18	5×5	26	6.3×5	35	6.3×5	35	—	—
22	5×5	31	6.3×5	40	6.3×5	45	—	—	—	—	—	—
33	6.3×5	45	6.3×5	49	—	—	—	—	—	—	—	—
47	6.3×5	54	6.3×5	59	—	—	—	—	—	—	—	—

(Note) Rated ripple current : 85°C, 120Hz.

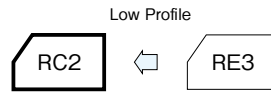
7mm L, Standard Capacitors

GREEN CAP Anti-cleaning solvent

- Diameters from $\phi 4$ to $\phi 8$ mm and a height of 7mm.
- Guarantees 1000 hours at 85°C.



Marking color : White print on a blue sleeve

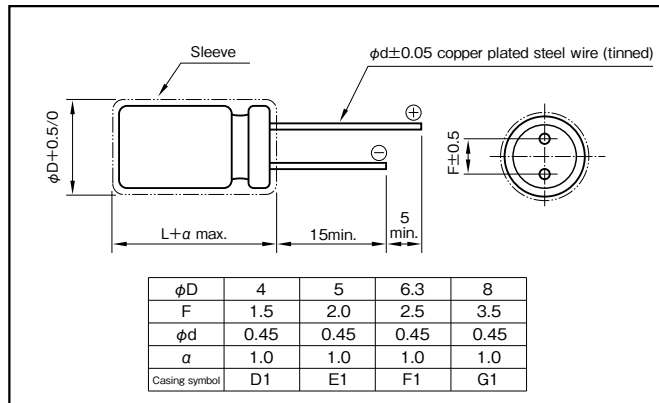


Specifications

Item	Performance										
Category temperature range (°C)	-40 to +85										
Tolerance at rated capacitance (%)	±20 (20°C, 120Hz)										
Leakage current (µA) (max.)	0.01CV or 3 whichever is larger (after 2 minutes) C : Rated capacitance (µF); V : Rated voltage (V) (20°C)										
Tangent of loss angle (tanδ)	Rated voltage (V)	4	6.3	10	16	25	35	50	63	100	
	tanδ (max.)	0.35	0.24	0.20	0.16	0.14	0.12	0.10	0.08	0.08	
Characteristics at high and low temperature	Rated voltage (V)	4	6.3	10	16	25	35	50	63	100	
	Impedance ratio (max.)	Z-25°C/Z+20°C	6	4	3	2	2	2	2	2	2
		Z-40°C/Z+20°C	16	10	8	6	4	4	4	4	4
Endurance (85°C) (Applied ripple current)	Test time	1000 hours									
	Leakage current	The initial specified value or less									
	Percentage of capacitance change	Within ±20% of initial value									
	Tangent of the loss angle	200% or less of the initial specified value									
Shelf life (85°C)	Test time : 1000hours ; other items are same as the endurance. Voltage application treatment : According to JIS C5101-4 4.1										
Applicable standards	JIS C5101 - 1,- 4 (IEC 60384 - 1,- 4)										

Outline Drawing

Unit : mm



Coefficient of Frequency for Rated Ripple Current

Frequency (Hz)	50 · 60	120	1k	10k · 100k
Rated voltage (V)				
4 to 16	0.8	1	1.1	1.2
25 to 35	0.8	1	1.5	1.7
50 to 100	0.8	1	1.6	1.9

Part numbering system (example : 10V220µF)

RC2	—	10	V	221	M	G1	#	□	—	□
Series code		Rated voltage symbol		Rated capacitance symbol	Capacitance tolerance symbol	Casing symbol	Optional symbol			Taping/Forming symbol

Standard Ratings

Rated voltage (V)	4		6.3		10		16		25		35		50		63		100	
	Case	Rated ripple current (mA)	Case	Rated ripple current (mA)	Case	Rated ripple current (mA)	Case	Rated ripple current (mA)	Case	Rated ripple current (mA)	Case	Rated ripple current (mA)	Case	Rated ripple current (mA)	Case	Rated ripple current (mA)	Case	Rated ripple current (mA)
Rated capacitance (µF)	φD×L (mm)	(mA)	φD×L (mm)	(mA)	φD×L (mm)	(mA)	φD×L (mm)	(mA)	φD×L (mm)	(mA)	φD×L (mm)	(mA)	φD×L (mm)	(mA)	φD×L (mm)	(mA)	φD×L (mm)	(mA)
1	—	—	—	—	—	—	—	—	—	—	—	—	4×7	10	4×7	10	4×7	12
2.2	—	—	—	—	—	—	—	—	—	—	—	—	4×7	15	4×7	15	5×7	20
3.3	—	—	—	—	—	—	—	—	4×7	15	4×7	15	4×7	20	4×7	23	6.3×7	30
4.7	—	—	—	—	—	—	—	—	4×7	20	4×7	20	4×7	24	5×7	30	6.3×7	35
10	—	—	—	—	—	—	4×7	25	4×7	30	4×7	30	5×7	40	6.3×7	50	—	—
22	—	—	4×7	35	4×7	35	4×7	40	5×7	50	5×7	55	6.3×7	70	—	—	—	—
33	4×7	35	4×7	40	4×7	45	5×7	55	6.3×7	70	6.3×7	75	8×7	100	—	—	—	—
47	4×7	40	4×7	50	5×7	60	5×7	70	6.3×7	85	8×7	110	—	—	—	—	—	—
100	5×7	70	5×7	80	6.3×7	105	6.3×7	120	8×7	145	—	—	—	—	—	—	—	—
220	6.3×7	120	6.3×7	140	8×7	185	8×7	205	—	—	—	—	—	—	—	—	—	—
330	8×7	170	8×7	205	—	—	—	—	—	—	—	—	—	—	—	—	—	—

(Note) Rated ripple current : 85°C, 120Hz.

NOTE : Design, Specifications are subject to change without notice. It is recommended that you shall obtain technical specifications from ELNA to ensure that the component is suitable for your use.

7mm L, 105°C Use Capacitors

GREEN CAP

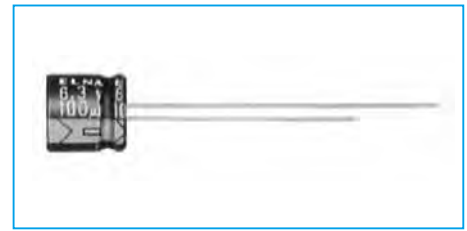
105°C
1000hours

Anti-cleaning solvent

- Diameters from $\phi 4$ to $\phi 6.3$ mm and a height of 7mm.
- Guarantees 1000 hours at 105°C.



High temperature



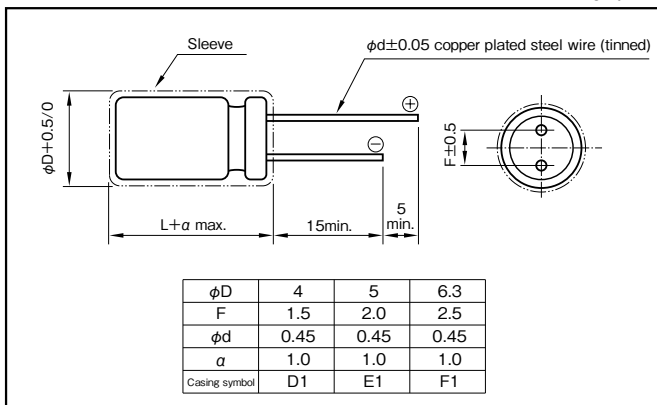
Marking color : White print on a black sleeve

Specifications

Item	Performance																				
Category temperature range (°C)	-55 to +105																				
Tolerance at rated capacitance (%)	±20 (20°C, 120Hz)																				
Leakage current (µA) (max.)	0.01CV or 3 whichever is larger (after 2 minutes) C : Rated capacitance (µF); V : Rated voltage (V) (20°C)																				
Tangent of loss angle (tanδ)	<table border="1"> <thead> <tr> <th>Rated voltage (V)</th> <th>6.3</th> <th>10</th> <th>16</th> <th>25</th> <th>35</th> <th>50</th> </tr> </thead> <tbody> <tr> <td>tanδ (max.)</td> <td>0.22</td> <td>0.19</td> <td>0.16</td> <td>0.14</td> <td>0.12</td> <td>0.10</td> </tr> </tbody> </table> <p>(20°C, 120Hz)</p>	Rated voltage (V)	6.3	10	16	25	35	50	tanδ (max.)	0.22	0.19	0.16	0.14	0.12	0.10						
Rated voltage (V)	6.3	10	16	25	35	50															
tanδ (max.)	0.22	0.19	0.16	0.14	0.12	0.10															
Characteristics at high and low temperature	<table border="1"> <thead> <tr> <th>Rated voltage (V)</th> <th>6.3</th> <th>10</th> <th>16</th> <th>25</th> <th>35</th> <th>50</th> </tr> </thead> <tbody> <tr> <td rowspan="2">Impedance ratio (max.)</td> <td>Z-25°C/Z+20°C</td> <td>3</td> <td>3</td> <td>2</td> <td>2</td> <td>2</td> </tr> <tr> <td>Z-40°C/Z+20°C</td> <td>8</td> <td>5</td> <td>4</td> <td>3</td> <td>3</td> </tr> </tbody> </table> <p>(120Hz)</p>	Rated voltage (V)	6.3	10	16	25	35	50	Impedance ratio (max.)	Z-25°C/Z+20°C	3	3	2	2	2	Z-40°C/Z+20°C	8	5	4	3	3
Rated voltage (V)	6.3	10	16	25	35	50															
Impedance ratio (max.)	Z-25°C/Z+20°C	3	3	2	2	2															
	Z-40°C/Z+20°C	8	5	4	3	3															
Endurance (105°C) (Applied ripple current)	<table border="1"> <tbody> <tr> <td>Test time</td> <td>1000 hours</td> </tr> <tr> <td>Leakage current</td> <td>The initial specified value or less</td> </tr> <tr> <td>Percentage of capacitance change</td> <td>Within ±20% of initial value</td> </tr> <tr> <td>Tangent of the loss angle</td> <td>200% or less of the initial specified value</td> </tr> </tbody> </table>	Test time	1000 hours	Leakage current	The initial specified value or less	Percentage of capacitance change	Within ±20% of initial value	Tangent of the loss angle	200% or less of the initial specified value												
Test time	1000 hours																				
Leakage current	The initial specified value or less																				
Percentage of capacitance change	Within ±20% of initial value																				
Tangent of the loss angle	200% or less of the initial specified value																				
Shelf life (105°C)	Test time : 1000hours ; other items are same as the endurance. Voltage application treatment : According to JIS C5101-4 4.1																				
Applicable standards	JIS C5101 - 1,- 4 (IEC 60384 - 1,- 4)																				

Outline Drawing

Unit : mm



Coefficient of Frequency for Rated Ripple Current

Rated voltage (V) \ Frequency (Hz)	50 · 60	120	1k	10k · 100k
6.3 to 16	0.68	0.72	0.92	1
25 to 35	0.48	0.63	0.80	1
50	0.45	0.50	0.70	1

Part numbering system (example : 25V33µF)

R2S	—	25	V	330	M	F1	#	—	□
Series code		Rated voltage symbol		Rated capacitance symbol	Capacitance tolerance symbol	Casing symbol			Taping(Forming) symbol

Standard Ratings

Rated voltage (V) \ Item	6.3		10		16		25		35		50	
	Case φD × L (mm)	Rated ripple current (mArms)	Case φD × L (mm)	Rated ripple current (mArms)	Case φD × L (mm)	Rated ripple current (mArms)	Case φD × L (mm)	Rated ripple current (mArms)	Case φD × L (mm)	Rated ripple current (mArms)	Case φD × L (mm)	Rated ripple current (mArms)
1	—	—	—	—	—	—	—	—	—	—	4 × 7	16
2.2	—	—	—	—	—	—	—	—	—	—	4 × 7	25
3.3	—	—	—	—	—	—	4 × 7	21	4 × 7	23	4 × 7	28
4.7	—	—	—	—	—	—	4 × 7	25	4 × 7	25	5 × 7	48
10	—	—	—	—	4 × 7	39	5 × 7	47	5 × 7	48	6.3 × 7	75
22	4 × 7	42	4 × 7	49	5 × 7	54	6.3 × 7	87	6.3 × 7	90	—	—
33	5 × 7	53	5 × 7	60	6.3 × 7	83	6.3 × 7	90	—	—	—	—
47	5 × 7	64	6.3 × 7	95	6.3 × 7	95	—	—	—	—	—	—
100	6.3 × 7	96	—	—	—	—	—	—	—	—	—	—

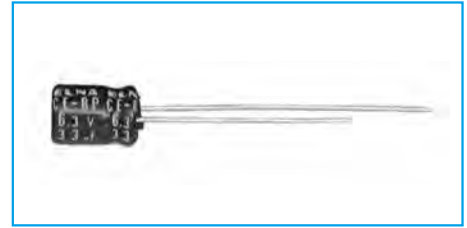
(Note) Rated ripple current : 105°C, 100kHz.

NOTE : Design, Specifications are subject to change without notice.
It is recommended that you shall obtain technical specifications from ELNA to ensure that the component is suitable for your use.

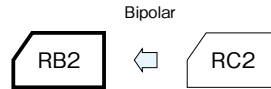
7mm L, Bipolar Capacitors

GREEN CAP Anti-cleaning solvent

• Diameters from $\phi 4$ to $\phi 6.3$ mm and a height of 7mm.



Marking color : White print on a blue sleeve

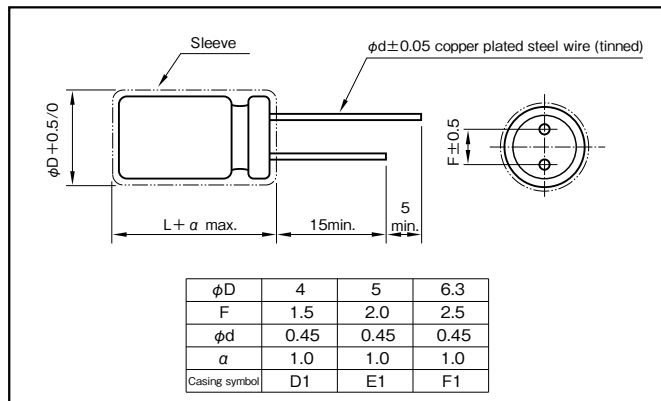


Specifications

Item	Performance						
Category temperature range (°C)	-40 to +85						
Tolerance at rated capacitance (%)	±20 (20°C, 120Hz)						
Leakage current (µA) (max.)	0.03CV + 3 (after 5 minutes) C : Rated capacitance (µF) ; V : Rated voltage (V) (20°C)						
Tangent of loss angle (tanδ)	Rated voltage (V)	6.3	10	16	25	35	50
	tanδ (max.)	0.30	0.25	0.20	0.15	0.15	0.15
Endurance (85°C)	Test time	1000 hours (with the polarity inverted every 250 hours)					
	Leakage current	The initial specified value or less					
	Percentage of capacitance change	Within ±20% of initial value					
	Tangent of the loss angle	200% or less of the initial specified value					
Applicable standards	JIS C5101 - 1, - 4 (IEC 60384 - 1, - 4)						

Outline Drawing

Unit : mm



Coefficient of Frequency for Rated Ripple Current

Frequency (Hz)	50 · 60	120	1k	10k · 100k
Rated voltage (V)				
6.3 to 16	0.8	1	1.1	1.2
25 to 35	0.8	1	1.5	1.7
50	0.8	1	1.6	1.9

Part numbering system (example: 16V47µF)

RB2	—	16	V	470	M	F1	#	—	□
Series code		Rated voltage symbol		Rated capacitance symbol	Capacitance tolerance symbol	Casing symbol			Taping(Foring) symbol

Standard Ratings

Rated voltage (V)	Item	6.3		10		16		25		35		50	
		Case	Rated ripple current	Case	Rated ripple current	Case	Rated ripple current	Case	Rated ripple current	Case	Rated ripple current	Case	Rated ripple current
Rated capacitance (µF)	$\phi D \times L$ (mm)	(mArms)	$\phi D \times L$ (mm)	(mArms)	$\phi D \times L$ (mm)	(mArms)	$\phi D \times L$ (mm)	(mArms)	$\phi D \times L$ (mm)	(mArms)	$\phi D \times L$ (mm)	(mArms)	
0.33	—	—	—	—	—	—	—	—	—	—	—	4×7	5
0.47	—	—	—	—	—	—	—	—	—	—	—	4×7	6
1	—	—	—	—	—	—	—	—	—	—	—	4×7	9
2.2	—	—	—	—	—	—	—	—	—	4×7	14	5×7	16
3.3	—	—	—	—	—	—	—	4×7	17	5×7	19	5×7	19
4.7	—	—	—	—	4×7	17	5×7	23	23	5×7	23	6.3×7	27
10	—	—	4×7	23	5×7	29	6.3×7	39	39	6.3×7	39	—	—
22	5×7	35	5×7	39	6.3×7	50	6.3×7	58	—	—	—	—	—
33	5×7	43	6.3×7	55	6.3×7	61	6.3×7	71	—	—	—	—	—
47	6.3×7	60	6.3×7	66	6.3×7	73	—	—	—	—	—	—	—

(Note) Rated ripple current : 85°C, 120Hz.

NOTE : Design, Specifications are subject to change without notice.
 It is recommended that you shall obtain technical specifications from ELNA to ensure that the component is suitable for your use.

Standard Capacitors

GREEN CAP

Anti-cleaning solvent 250V Max.

• Guarantees 2000 hours at 85°C.



Marking color : White print on a blue sleeve

RJ4

High temperature

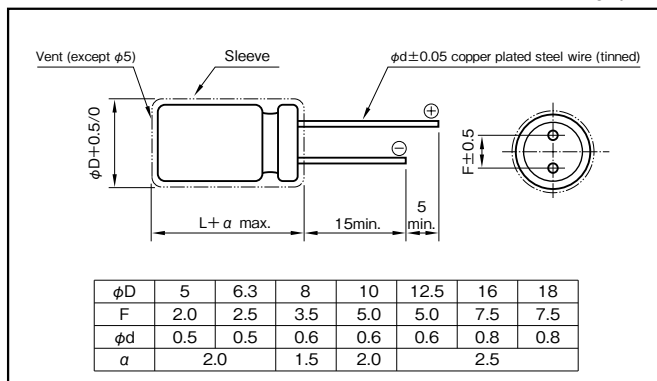
RE3

Specifications

Item	Performance																																															
Category temperature range (°C)	-40 to +85																																															
Tolerance at rated capacitance (%)	±20 (20°C, 120Hz)																																															
Leakage current (µA)	<table border="1"> <tr> <th>Rated voltage (V)</th> <th>6.3 to 100</th> <th>160 to 450</th> </tr> <tr> <td>Leakage current (µA) (max.)</td> <td>0.03CV or 4 whichever is larger (after 1 minute) 0.01CV or 3 whichever is larger (after 2 minutes)</td> <td>CV ≤ 1000 : 0.1CV+40 (after 1 minute) CV > 1000 : 0.04CV+100 (after 1 minute)</td> </tr> </table>	Rated voltage (V)	6.3 to 100	160 to 450	Leakage current (µA) (max.)	0.03CV or 4 whichever is larger (after 1 minute) 0.01CV or 3 whichever is larger (after 2 minutes)	CV ≤ 1000 : 0.1CV+40 (after 1 minute) CV > 1000 : 0.04CV+100 (after 1 minute)																																									
	Rated voltage (V)	6.3 to 100	160 to 450																																													
Leakage current (µA) (max.)	0.03CV or 4 whichever is larger (after 1 minute) 0.01CV or 3 whichever is larger (after 2 minutes)	CV ≤ 1000 : 0.1CV+40 (after 1 minute) CV > 1000 : 0.04CV+100 (after 1 minute)																																														
C : Rated capacitance (µF) V: Rated voltage (V) (20°C)																																																
Tangent of loss angle (tanδ)	<table border="1"> <tr> <th>Rated voltage (V)</th> <th>6.3</th> <th>10</th> <th>16</th> <th>25</th> <th>35</th> <th>50</th> <th>63</th> <th>100</th> <th>160</th> <th>200</th> <th>250</th> <th>315</th> <th>350</th> <th>400</th> <th>450</th> </tr> <tr> <td>tanδ (max.)</td> <td>0.28</td> <td>0.24</td> <td>0.20</td> <td>0.16</td> <td>0.14</td> <td>0.12</td> <td>0.10</td> <td>0.08</td> <td>0.20</td> <td>0.20</td> <td>0.20</td> <td>0.24</td> <td>0.24</td> <td>0.24</td> <td>0.24</td> </tr> </table>	Rated voltage (V)	6.3	10	16	25	35	50	63	100	160	200	250	315	350	400	450	tanδ (max.)	0.28	0.24	0.20	0.16	0.14	0.12	0.10	0.08	0.20	0.20	0.20	0.24	0.24	0.24	0.24															
	Rated voltage (V)	6.3	10	16	25	35	50	63	100	160	200	250	315	350	400	450																																
tanδ (max.)	0.28	0.24	0.20	0.16	0.14	0.12	0.10	0.08	0.20	0.20	0.20	0.24	0.24	0.24	0.24																																	
0.02 is added to every 1000µF increase over 1000µF. (20°C, 120Hz)																																																
Characteristics at high and low temperature	<table border="1"> <tr> <th>Rated voltage (V)</th> <th>6.3</th> <th>10</th> <th>16</th> <th>25</th> <th>35</th> <th>50</th> <th>63</th> <th>100</th> <th>160</th> <th>200</th> <th>250</th> <th>315</th> <th>350</th> <th>400</th> <th>450</th> </tr> <tr> <td rowspan="2">Impedance ratio (max.)</td> <td>Z-25°C/Z+20°C</td> <td>5</td> <td>4</td> <td>3</td> <td>2</td> <td>2</td> <td>2</td> <td>2</td> <td>4</td> <td>4</td> <td>4</td> <td>4</td> <td>4</td> <td>4</td> <td>4</td> </tr> <tr> <td>Z-40°C/Z+20°C</td> <td>12</td> <td>10</td> <td>8</td> <td>5</td> <td>4</td> <td>3</td> <td>3</td> <td>15</td> <td>15</td> <td>15</td> <td>10</td> <td>10</td> <td>10</td> <td>10</td> </tr> </table>	Rated voltage (V)	6.3	10	16	25	35	50	63	100	160	200	250	315	350	400	450	Impedance ratio (max.)	Z-25°C/Z+20°C	5	4	3	2	2	2	2	4	4	4	4	4	4	4	Z-40°C/Z+20°C	12	10	8	5	4	3	3	15	15	15	10	10	10	10
	Rated voltage (V)	6.3	10	16	25	35	50	63	100	160	200	250	315	350	400	450																																
Impedance ratio (max.)	Z-25°C/Z+20°C	5	4	3	2	2	2	2	4	4	4	4	4	4	4																																	
	Z-40°C/Z+20°C	12	10	8	5	4	3	3	15	15	15	10	10	10	10																																	
(120Hz)																																																
Endurance (85°C) (Applied ripple current)	Test time	2000 hours																																														
	Leakage current	The initial specified value or less																																														
	Percentage of capacitance change	Within ±20% of initial value																																														
	Tangent of the loss angle	200% or less of the initial specified value																																														
Shelf life (85°C)	Test time : 1000hours ; other items are same as the endurance. Voltage application treatment : According to JIS C5101-4 4.1																																															
Applicable standards	JIS C5101 - 1, - 4 (IEC 60384 - 1, - 4)																																															

Outline Drawing

Unit : mm



Coefficient of Frequency for Rated Ripple Current

Rated voltage (V)	Frequency (Hz) CV (µF×VV)	50 · 60	120	1k	10k	100k
		6.3 to 16	All CV value	0.8	1	1.1
25 to 35	≤ 1000	0.8	1	1.5	1.7	1.7
	1000 <	0.8	1	1.2	1.3	1.3
50 to 100	≤ 1000	0.8	1	1.6	1.9	1.9
	1000 <	0.8	1	1.2	1.3	1.3
160 to 450	All CV value	0.8	1	1.3	1.5	1.6

Part numbering system (example : 16V1000µF)

RE3	—	16	V	102	M	H4	#	□	—	□
Series code		Rated voltage symbol		Rated capacitance symbol	Capacitance tolerance symbol	Casing symbol	Optional symbol			Taping/Forming symbol

Casing symbol

Size φD×L (mm)	Casing Symbol	Size φD×L (mm)	Casing Symbol
5×11	E3	12.5×25	I6
6.3×11	F3	16×25	J6
8×11.5	G3	16×31.5	J7
10×12.5	H3	16×35.5	J8
10×16	H4	18×31.5	K7
10×20	H5	18×35.5	K8
12.5×20	I5	18×40	K9

NOTE : Design, Specifications are subject to change without notice.
It is recommended that you shall obtain technical specifications from ELNA to ensure that the component is suitable for your use.

Standard Ratings

Rated voltage (V)	Item	6.3			10			16			25			35			50			63			100		
		Case	ESR	Rated ripple current (mA _{rms})	Case	ESR	Rated ripple current (mA _{rms})	Case	ESR	Rated ripple current (mA _{rms})	Case	ESR	Rated ripple current (mA _{rms})	Case	ESR	Rated ripple current (mA _{rms})	Case	ESR	Rated ripple current (mA _{rms})	Case	ESR	Rated ripple current (mA _{rms})	Case	ESR	Rated ripple current (mA _{rms})
Rated capacitance (μF)	φD×L (mm)	(Ω)		φD×L (mm)	(Ω)		φD×L (mm)	(Ω)		φD×L (mm)	(Ω)		φD×L (mm)	(Ω)		φD×L (mm)	(Ω)		φD×L (mm)	(Ω)		φD×L (mm)	(Ω)		
1	—	—	—	—	—	—	—	—	—	—	—	—	—	—	—	5×11	199	21	—	—	—	5×11	133	21	
2.2	—	—	—	—	—	—	—	—	—	—	—	—	—	—	—	5×11	90.5	31	—	—	—	5×11	60.3	30	
3.3	—	—	—	—	—	—	—	—	—	—	—	—	—	—	—	5×11	60.3	38	—	—	—	5×11	40.2	40	
4.7	—	—	—	—	—	—	—	—	5×11	56.5	38	5×11	49.4	40	5×11	42.3	45	5×11	35.3	45	5×11	28.2	45		
10	—	—	—	—	—	—	5×11	33.2	50	5×11	26.5	55	5×11	23.2	59	5×11	19.9	66	5×11	16.6	66	6.3×11	13.3	75	
22	—	—	—	—	—	—	5×11	15.1	75	5×11	12.1	82	5×11	10.6	87	5×11	9.1	98	5×11	7.5	100	6.3×11	6.0	130	
33	—	—	—	—	—	—	5×11	10.1	92	5×11	8.0	100	5×11	7.0	107	5×11	6.0	126	6.3×11	5.0	140	8×11.5	4.0	180	
47	—	—	—	5×11	8.5	99	5×11	7.1	110	5×11	5.7	118	5×11	4.9	130	6.3×11	4.2	155	6.3×11	3.5	170	10×12.5	2.8	230	
100	—	—	—	5×11	3.8	146	5×11	3.3	160	6.3×11	2.7	199	6.3×11	2.3	214	8×11.5	2.0	260	8×11.5	1.7	298	10×20	1.3	370	
220	5×11	2.1	200	6.3×11	1.8	240	6.3×11	1.5	264	8×11.5	1.2	349	10×12.5	1.1	443	10×12.5	0.91	443	10×16	0.75	470	12.5×20	0.60	620	
330	6.3×11	1.4	270	6.3×11	1.2	290	8×11.5	1.0	383	10×12.5	0.81	510	10×12.5	0.70	542	10×16	0.60	595	10×20	0.50	710	12.5×25	0.40	760	
470	6.3×11	0.99	322	8×11.5	0.85	417	8×11.5	0.71	457	10×12.5	0.57	545	10×16	0.49	664	12.5×20	0.42	887	12.5×20	0.35	900	16×25	0.28	1000	
1000	8×11.5	0.47	546	10×12.5	0.40	650	10×16	0.33	791	10×20	0.27	996	12.5×20	0.23	1210	12.5×25	0.20	1400	16×25	0.17	1300	18×40	0.13	1380	
2200	10×20	0.23	1010	10×20	0.20	1080	12.5×20	0.17	1350	12.5×25	0.14	1660	16×25	0.12	1950	16×35.5	0.11	2340	—	—	—	—	—	—	
3300	10×20	0.16	1230	12.5×20	0.14	1430	12.5×25	0.12	1690	16×25	0.10	2030	16×35.5	0.090	2510	18×35.5	0.080	2810	—	—	—	—	—	—	
4700	12.5×20	0.12	1710	12.5×25	0.11	1780	16×25	0.092	2100	16×31.5	0.078	2650	18×35.5	0.071	2990	—	—	—	—	—	—	—	—	—	
6800	12.5×25	0.093	1930	16×25	0.083	2200	16×35.5	0.073	2580	18×35.5	0.063	3290	—	—	—	—	—	—	—	—	—	—	—	—	
10000	16×25	0.076	2450	16×35.5	0.070	2700	18×35.5	0.063	3130	—	—	—	—	—	—	—	—	—	—	—	—	—	—	—	
15000	16×35.5	0.062	2860	18×35.5	0.058	3100	—	—	—	—	—	—	—	—	—	—	—	—	—	—	—	—	—	—	
22000	18×40	0.053	3340	—	—	—	—	—	—	—	—	—	—	—	—	—	—	—	—	—	—	—	—	—	

Rated voltage (V)	Item	160			200			250			315			350			400			450			
		Case	ESR	Rated ripple current (mA _{rms})	Case	ESR	Rated ripple current (mA _{rms})	Case	ESR	Rated ripple current (mA _{rms})	Case	ESR	Rated ripple current (mA _{rms})	Case	ESR	Rated ripple current (mA _{rms})	Case	ESR	Rated ripple current (mA _{rms})	Case	ESR	Rated ripple current (mA _{rms})	
Rated capacitance (μF)	φD×L (mm)	(Ω)		φD×L (mm)	(Ω)		φD×L (mm)	(Ω)		φD×L (mm)	(Ω)		φD×L (mm)	(Ω)		φD×L (mm)	(Ω)		φD×L (mm)	(Ω)		φD×L (mm)	(Ω)
0.47	6.3×11	706	15	6.3×11	706	15	6.3×11	706	15	6.3×11	847	15	6.3×11	847	15	6.3×11	847	15	8×11.5	847	18		
1	6.3×11	332	22	6.3×11	332	22	6.3×11	332	22	6.3×11	398	22	6.3×11	398	22	6.3×11	398	22	8×11.5	398	25		
2.2	6.3×11	151	32	6.3×11	151	32	6.3×11	151	32	8×11.5	181	38	8×11.5	181	38	8×11.5	181	38	10×12.5	181	43		
3.3	6.3×11	101	40	6.3×11	101	40	8×11.5	101	48	10×12.5	121	53	10×12.5	121	53	10×12.5	121	54	10×16	121	59		
4.7	6.3×11	70.6	48	8×11.5	70.6	56	8×11.5	70.6	56	10×12.5	84.7	65	10×12.5	84.7	65	10×16	84.7	71	10×20	84.7	76		
10	8×11.5	33.2	81	10×12.5	33.2	94	10×16	33.2	101	10×20	39.8	115	10×20	39.8	115	12.5×20	39.8	123	12.5×20	39.8	123		
22	10×16	15.1	151	10×20	15.1	170	12.5×20	15.1	182	12.5×20	18.1	182	12.5×25	18.1	197	12.5×25	18.1	197	16×25	18.1	226		
33	10×20	10.1	202	12.5×20	10.1	223	12.5×25	10.1	243	16×25	12.1	277	16×25	12.1	277	16×25	12.1	277	16×31.5	12.1	304		
47	12.5×20	7.06	266	12.5×20	7.06	265	12.5×25	7.06	295	16×25	8.47	330	16×25	8.47	330	16×31.5	8.47	361	16×35.5	8.47	380		
100	12.5×25	3.32	422	16×25	3.32	483	16×31.5	3.32	528	18×31.5	3.98	567	18×31.5	3.98	507	—	—	—	—	—	—	—	—
220	16×31.5	1.51	783	18×35.5	1.51	882	—	—	—	—	—	—	—	—	—	—	—	—	—	—	—	—	—
330	18×35.5	1.01	1080	—	—	—	—	—	—	—	—	—	—	—	—	—	—	—	—	—	—	—	—

(Note) Rated ripple current : 85°C, 120Hz ; ESR. : 20°C, 120Hz

Standard Bipolar Capacitors

GREEN CAP Anti-cleaning solvent

• Guarantees 2000 hours at 85°C.



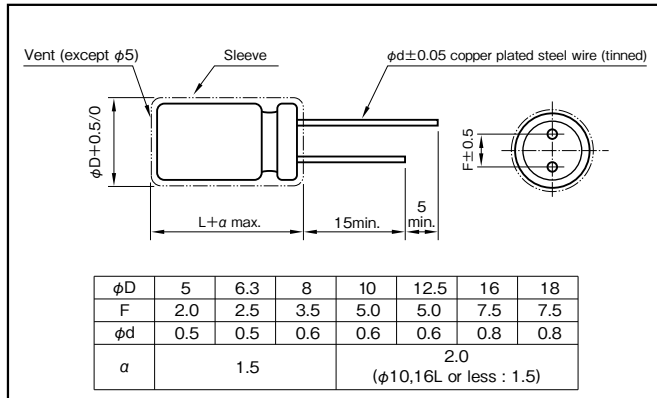
Marking color : White print on a blue sleeve

Specifications

Item	Performance																										
Category temperature range (°C)	-40 to +85																										
Tolerance at rated capacitance (%)	±20 (20°C, 120Hz)																										
Leakage current (µA) (max.)	0.03CV + 3 (after 5 minutes) C : Rated capacitance (µF) ; V : Rated voltage (V) (20°C)																										
Tangent of loss angle (tanδ)	<table border="1"> <tr> <td>Rated voltage (V)</td> <td>6.3</td> <td>10</td> <td>16</td> <td>25</td> <td>35</td> <td>50</td> <td>63</td> <td>100</td> </tr> <tr> <td>tan δ (max.)</td> <td>0.24</td> <td>0.24</td> <td>0.20</td> <td>0.20</td> <td>0.16</td> <td>0.14</td> <td>0.12</td> <td>0.10</td> </tr> </table> <p>0.02 is added to every 1000µF increase over 1000µF (20°C, 120Hz)</p>	Rated voltage (V)	6.3	10	16	25	35	50	63	100	tan δ (max.)	0.24	0.24	0.20	0.20	0.16	0.14	0.12	0.10								
Rated voltage (V)	6.3	10	16	25	35	50	63	100																			
tan δ (max.)	0.24	0.24	0.20	0.20	0.16	0.14	0.12	0.10																			
Characteristics at high and low temperature	<table border="1"> <tr> <td>Rated voltage (V)</td> <td>6.3</td> <td>10</td> <td>16</td> <td>25</td> <td>35</td> <td>50</td> <td>63</td> <td>100</td> </tr> <tr> <td rowspan="2">Impedance ratio (max.)</td> <td>Z-25°C/Z+20°C</td> <td>4</td> <td>3</td> <td>2</td> <td>2</td> <td>2</td> <td>2</td> <td>2</td> </tr> <tr> <td>Z-40°C/Z+20°C</td> <td>10</td> <td>8</td> <td>6</td> <td>4</td> <td>3</td> <td>3</td> <td>3</td> </tr> </table> <p>0.5 for -25°C, 1 for -40°C are added to every 1000µF increase over 1000µF (120Hz)</p>	Rated voltage (V)	6.3	10	16	25	35	50	63	100	Impedance ratio (max.)	Z-25°C/Z+20°C	4	3	2	2	2	2	2	Z-40°C/Z+20°C	10	8	6	4	3	3	3
Rated voltage (V)	6.3	10	16	25	35	50	63	100																			
Impedance ratio (max.)	Z-25°C/Z+20°C	4	3	2	2	2	2	2																			
	Z-40°C/Z+20°C	10	8	6	4	3	3	3																			
Endurance (85°C) (Applied ripple current)	<table border="1"> <tr> <td>Test time</td> <td>2000 hours (with the polarity inverted every 250 hours)</td> </tr> <tr> <td>Leakage current</td> <td>The initial specified value or less</td> </tr> <tr> <td>Percentage of capacitance change</td> <td>Within ±20% of initial value</td> </tr> <tr> <td>Tangent of the loss angle</td> <td>150% or less of the initial specified value</td> </tr> </table>	Test time	2000 hours (with the polarity inverted every 250 hours)	Leakage current	The initial specified value or less	Percentage of capacitance change	Within ±20% of initial value	Tangent of the loss angle	150% or less of the initial specified value																		
Test time	2000 hours (with the polarity inverted every 250 hours)																										
Leakage current	The initial specified value or less																										
Percentage of capacitance change	Within ±20% of initial value																										
Tangent of the loss angle	150% or less of the initial specified value																										
Shelf life (85°C)	Test time : 1000hours ; other items are same as the endurance. Voltage application treatment : According to JIS C5101-4 4.1																										
Applicable standards	JIS C5101 - 1, - 4 (IEC 60384 - 1, - 4)																										

Outline Drawing

Unit : mm



Coefficient of Frequency for Rated Ripple Current

Frequency (Hz)	50 - 60	120	1k	10k · 100k
Rated voltage (V)				
6.3 to 16	0.8	1	1.1	1.2
25 to 35	0.8	1	1.5	1.7
50 to 100	0.8	1	1.6	1.9

Part numbering system (example : 10V1000µF)

R2B	—	10	V	102	M	I5	#	—	□
Series code		Rated voltage symbol		Rated capacitance symbol	Capacitance tolerance symbol	Casing symbol			Taping(Forming) symbol

Casing symbol

Case φD×L (mm)	Casing Symbol	Case φD×L (mm)	Casing Symbol	Case φD×L (mm)	Casing Symbol	Case φD×L (mm)	Casing Symbol
5×11	E3	10×12.5	H3	12.5×20	I5	16×31.5	J 7
6.3×11	F3	10×16	H4	12.5×25	I6	18×35.5	K8
8×11.5	G3	10×20	H5	16×25	J6		

Standard Ratings

Rated capacitance (µF)	6.3		10		16		25		35		50		63		100	
	Case φD×L (mm)	Rated ripple current (mA Arms)	Case φD×L (mm)	Rated ripple current (mA Arms)	Case φD×L (mm)	Rated ripple current (mA Arms)	Case φD×L (mm)	Rated ripple current (mA Arms)	Case φD×L (mm)	Rated ripple current (mA Arms)	Case φD×L (mm)	Rated ripple current (mA Arms)	Case φD×L (mm)	Rated ripple current (mA Arms)	Case φD×L (mm)	Rated ripple current (mA Arms)
1	—	—	—	—	—	—	—	—	—	—	—	—	—	—	—	—
2.2	—	—	—	—	—	—	—	—	—	—	5×11	14	—	—	—	—
3.3	—	—	—	—	—	—	—	—	—	—	5×11	21	5×11	23	5×11	24
4.7	—	—	—	—	—	—	—	—	—	—	5×11	26	5×11	28	6.3×11	34
10	—	—	—	—	—	—	—	—	—	—	5×11	31	5×11	34	6.3×11	41
22	—	—	5×11	52	5×11	58	5×11	60	6.3×11	71	6.3×11	77	8×11.5	89	10×16	136
33	5×11	58	5×11	63	5×11	71	6.3×11	84	6.3×11	87	8×11.5	111	10×12.5	144	10×20	181
47	5×11	69	5×11	75	6.3×11	97	6.3×11	100	8×11.5	122	10×12.5	157	10×16	188	12.5×20	248
100	6.3×11	115	6.3×11	126	8×11.5	167	10×12.5	204	10×12.5	212	10×20	273	12.5×20	343	16×25	458
220	8×11.5	202	8×11.5	221	10×12.5	294	10×16	332	10×20	375	12.5×25	506	16×25	645	18×35.5	837
330	8×11.5	247	10×12.5	322	10×16	394	10×20	444	12.5×20	526	12.5×25	620	—	—	—	—
470	10×12.5	350	10×16	420	10×20	513	12.5×20	607	12.5×25	685	16×25	861	—	—	—	—
1000	10×20	611	12.5×20	767	12.5×25	935	16×25	1120	16×31.5	1270	—	—	—	—	—	—
2200	12.5×25	1090	16×25	1380	16×31.5	1660	—	—	—	—	—	—	—	—	—	—
3300	16×25	1490	16×31.5	1760	—	—	—	—	—	—	—	—	—	—	—	—
4700	16×31.5	1880	18×35.5	2280	—	—	—	—	—	—	—	—	—	—	—	—

(Note) Rated ripple current : 85°C, 120Hz

NOTE : Design, Specifications are subject to change without notice. It is recommended that you shall obtain technical specifications from ELNA to ensure that the component is suitable for your use.

105°C Bipolar Capacitors

GREEN CAP Anti-cleaning solvent

• Guarantees 2000 hours at 105°C.



High temperature



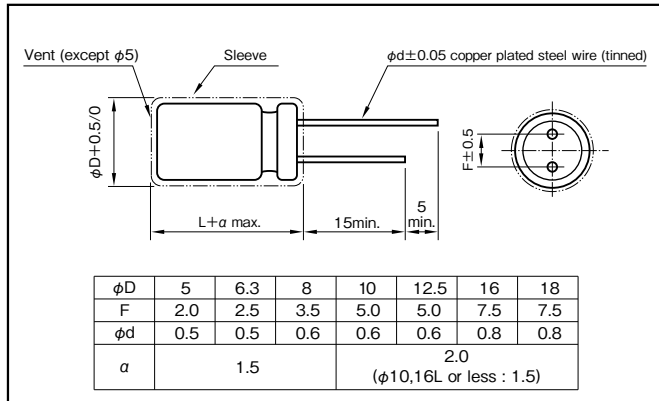
Marking color : White print on a black sleeve

Specifications

Item	Performance	
Category temperature range (°C)	-40 to +105	
Tolerance at rated capacitance (%)	±20 (20°C, 120Hz)	
Leakage current (μA) (max.)	0.03CV + 3 (after 5 minutes) C : Rated capacitance (μF) ; V : Rated voltage (V) (20°C)	
Tangent of loss angle (tanδ)	Rated voltage (V)	6.3 10 16 25 35 50
	tan δ (max.)	0.4 0.3 0.2 0.2 0.16 0.14
0.02 is added to every 1000μF increase over 1000μF (20°C, 120Hz)		
Characteristics at high and low temperature	Rated voltage (V)	6.3 10 16 25 35 50
	Impedance ratio (max.)	Z-25°C/Z+20°C: 5 4 3 2 2 2 Z-40°C/Z+20°C: 10 8 6 4 3 3
0.5 for -25°C, 1 for -40°C are added to every 1000μF increase over 1000μF (120Hz)		
Endurance (105°C) (Applied ripple current)	Test time	2000 hours (φ5 to φ8 : 1000 hours) with the polarity inverted every 250 hours
	Leakage current	The initial specified value or less
	Percentage of capacitance change	Within ±20% of initial value
	Tangent of the loss angle	200% or less of the initial specified value
Shelf life (105°C)	Test time : 1000hours ; other items are same as the endurance. Voltage application treatment : According to JIS C5101-4 4.1	
Applicable standards	JIS C5101 - 1, - 4 (IEC 60384 - 1, - 4)	

Outline Drawing

Unit : mm



Coefficient of Frequency for Rated Ripple Current

Frequency (Hz)	50 - 60	120	1k	10k · 100k
Rated voltage (V)				
6.3 to 16	0.8	1	1.1	1.2
25 to 35	0.8	1	1.5	1.7
50	0.8	1	1.6	1.9

Part numbering system (example : 10V1000μF)

RJP	—	10	V	102	M	I5	#	—	□
Series code		Rated voltage symbol		Rated capacitance symbol	Capacitance tolerance symbol	Casing symbol			Taping(For) symbol

Casing symbol

Case φD×L (mm)	Casing Symbol	Case φD×L (mm)	Casing Symbol	Case φD×L (mm)	Casing Symbol	Case φD×L (mm)	Casing Symbol
5×11	E3	10×12.5	H3	12.5×20	I5	16×31.5	J7
6.3×11.5	F3	10×16	H4	12.5×25	J6	18×35.5	K8
8×11.5	G3	10×20	H5	16×25			

Standard Ratings

Rated capacitance (μF)	6.3		10		16		25		35		50	
	Case φD × L (mm)	Rated ripple current (mArms)	Case φD × L (mm)	Rated ripple current (mArms)	Case φD × L (mm)	Rated ripple current (mArms)	Case φD × L (mm)	Rated ripple current (mArms)	Case φD × L (mm)	Rated ripple current (mArms)	Case φD × L (mm)	Rated ripple current (mArms)
1	—	—	—	—	—	—	—	—	—	—	5 × 11	12
2.2	—	—	—	—	—	—	—	—	—	—	5 × 11	18
3.3	—	—	—	—	—	—	—	—	—	—	5 × 11	22
4.7	—	—	—	—	—	—	—	—	—	—	5 × 11	22
10	—	—	—	—	5 × 11	30	5 × 11	34	5 × 11	30	6.3 × 11.5	37
22	—	—	5 × 11	42	5 × 11	40	6.3 × 11.5	55	6.3 × 11.5	51	8 × 11.5	63
33	5 × 11	46	5 × 11	45	5 × 11	49	6.3 × 11.5	56	8 × 11.5	72	8 × 11.5	77
47	5 × 11	54	5 × 11	54	6.3 × 11.5	67	6.3 × 11.5	67	8 × 11.5	86	10 × 12.5	105
100	6.3 × 11.5	90	6.3 × 11.5	96	8 × 11.5	110	8 × 11.5	110	10 × 16	160	10 × 20	190
220	8 × 11.5	150	8 × 11.5	150	10 × 12.5	195	10 × 16	215	12.5 × 20	290	12.5 × 25	340
330	8 × 11.5	185	10 × 16	240	10 × 16	265	12.5 × 20	320	12.5 × 20	350	16 × 25	460
470	10 × 12.5	260	10 × 16	290	10 × 20	345	12.5 × 20	380	12.5 × 25	465	16 × 31.5	590
1000	10 × 20	460	12.5 × 20	510	12.5 × 25	605	16 × 25	670	16 × 31.5	805	—	—
2200	12.5 × 25	820	16 × 25	910	16 × 31.5	1070	18 × 35.5	1140	—	—	—	—
3300	16 × 25	1110	16 × 31.5	1200	18 × 35.5	1400	—	—	—	—	—	—
4700	16 × 31.5	1430	18 × 35.5	1520	—	—	—	—	—	—	—	—
6800	18 × 35.5	1830	—	—	—	—	—	—	—	—	—	—

(Note) Rated ripple current : 105°C, 120Hz

NOTE : Design, Specifications are subject to change without notice. It is recommended that you shall obtain technical specifications from ELNA to ensure that the component is suitable for your use.

Low Leakage Current Capacitors

GREEN CAP

- Low leakage current (after 1 minute) : 0.006CV or 0.5 (μA).



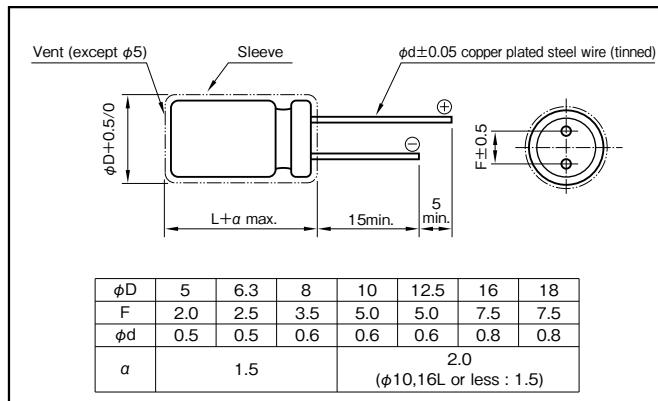
Marking color : White print on a blue sleeve

Specifications

Item	Performance	
Category temperature range (°C)	-40 to +85	
Tolerance at rated capacitance (%)	±20 (20°C, 120Hz)	
Leakage current (μA) (max.)	0.006CV or 0.5 whichever is larger (after 1 minute) 0.002CV or 0.3 whichever is larger (after 2 minutes), C : Rated capacitance (μF) ; V : Rated voltage (V) (20°C)	
Tangent of loss angle (tanδ)	Rated voltage (V)	6.3 10 16 25 35 50
	tanδ (max.)	More than 1μF 0.20 0.17 0.13 0.10 0.10 0.08 1μF 0.06 0.06 0.06 0.06 0.06 0.06
Characteristics at high and low temperature	Rated voltage (V)	6.3 10 16 25 35 50
	Impedance ratio (max.)	Z-25°C/Z+20°C 4 3 2 2 2 2 Z-40°C/Z+20°C 8 6 4 4 3 3
Endurance (85°C) (Applied ripple current)	Test time	1000 hours
	Leakage current	The initial specified value or less
	Percentage of capacitance change	Within ±20% of initial value
	Tangent of the loss angle	150% or less of the initial specified value
Shelf life (85°C)	Test time : 1000hours ; other items are same as the endurance. Voltage application treatment : According to JIS C5101-4 4.1	
Applicable standards	JIS C5101 - 1, - 4 (IEC 60384 - 1, - 4)	

Outline Drawing

Unit : mm



Coefficient of Frequency for Rated Ripple Current

Rated voltage (V)	Frequency (Hz)	CV (μF×V)			
		50 · 60	120	1k	10k · 100k
6.3 to 10	All CV value	0.8	1	1.1	1.2
	≤1000	0.8	1	1.5	1.7
16 to 25	1000 <	0.8	1	1.2	1.3
	All CV value	0.8	1	1.6	1.9

Part numbering system (example : 10V1000μF)

RLB	—	10	V	102	M	I6	#	—	□
Series code		Rated voltage symbol		Rated capacitance symbol	Capacitance tolerance symbol	Casing symbol			Taping(Forming) symbol

Casing symbol

Case	Casing symbol	Case	Casing symbol	Case	Casing symbol	Case	Casing symbol
φD×L (mm)		φD×L (mm)		φD×L (mm)		φD×L (mm)	
5×11	E3	10×12.5	H3	12.5×20	I5	16×31.5	J7
6.3×11	F3	10×16	H4	12.5×25	I6	16×35.5	J8
8×11.5	G3	10×20	H5	16×25	J6	18×35.5	K8

Standard Ratings

Rated capacitance (μF)	6.3		10		16		25		35		50	
	Case	Rated ripple current	Case	Rated ripple current	Case	Rated ripple current	Case	Rated ripple current	Case	Rated ripple current	Case	Rated ripple current
	φD×L (mm)	(mArms)	φD×L (mm)	(mArms)	φD×L (mm)	(mArms)	φD×L (mm)	(mArms)	φD×L (mm)	(mArms)	φD×L (mm)	(mArms)
1	—	—	—	—	—	—	—	—	—	—	5×11	20
2.2	—	—	—	—	—	—	—	—	—	—	5×11	26
3.3	—	—	—	—	—	—	—	—	—	—	5×11	32
4.7	—	—	—	—	—	—	5×11	34	5×11	34	6.3×11	43
10	—	—	—	—	5×11	43	6.3×11	57	6.3×11	57	8×11.5	75
22	—	—	5×11	56	6.3×11	74	8×11.5	99	8×11.5	99	10×12.5	131
33	—	—	6.3×11	79	6.3×11	90	8×11.5	121	10×12.5	144	10×16	176
47	—	—	6.3×11	94	8×11.5	127	10×12.5	172	10×12.5	172	10×16	210
100	—	—	8×11.5	160	10×12.5	220	10×16	270	10×20	300	12.5×20	380
220	10×12.5	260	10×16	350	10×20	390	12.5×20	510	12.5×25	550	16×25	720
330	10×16	350	10×20	420	12.5×20	550	12.5×25	680	16×25	790	16×31.5	970
470	10×20	460	12.5×20	570	12.5×20	650	16×25	940	16×25	940	16×35.5	1210
1000	12.5×25	840	12.5×25	910	16×25	1210	16×35.5	1580	18×35.5	1690	—	—
2200	16×25	1440	16×31.5	1710	18×35.5	2200	—	—	—	—	—	—

(Note) Rated ripple current : 85°C, 120Hz

NOTE : Design, Specifications are subject to change without notice.
It is recommended that you shall obtain technical specifications from ELNA to ensure that the component is suitable for your use.

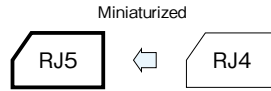
105°C Miniature Capacitors

GREEN CAP 105°C 1000hours Anti-cleaning solvent 250V Max.



Marking color : White print on a black sleeve

• Case size is one rank smaller than Series RJ4.

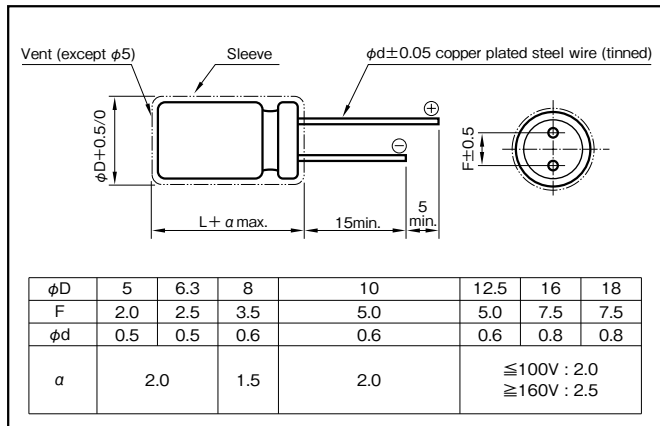


Specifications

Item	Performance																																																
Category temperature range (°C)	-55~+105	-40~+105																																															
Rated voltage (V)	6.3~100	160~450																																															
Tolerance at rated capacitance (%)	±20 (20°C, 120Hz)																																																
Leakage current (µA) (max.)	0.03CV or 4 whichever is larger (after 1 minute)	CV ≤ 1000 : 0.1CV+40 (after 1 minute)																																															
	0.01CV or 3 whichever is larger (after 2 minutes)	CV > 1000 : 0.04CV+100 (after 1 minute)																																															
C : Rated capacitance (µF) ; V : Rated voltage (V) (20°C)																																																	
Tangent of loss angle (tanδ)	<table border="1"> <thead> <tr> <th>Rated voltage (V)</th> <th>6.3</th><th>10</th><th>16</th><th>25</th><th>35</th><th>50</th><th>63</th><th>100</th><th>160</th><th>200</th><th>250</th><th>315</th><th>350</th><th>400</th><th>450</th> </tr> </thead> <tbody> <tr> <td>tan δ (max.)</td> <td>0.34</td><td>0.26</td><td>0.20</td><td>0.16</td><td>0.14</td><td>0.12</td><td>0.10</td><td>0.08</td><td>0.20</td><td>0.20</td><td>0.20</td><td>0.24</td><td>0.24</td><td>0.24</td><td>0.24</td> </tr> </tbody> </table>																Rated voltage (V)	6.3	10	16	25	35	50	63	100	160	200	250	315	350	400	450	tan δ (max.)	0.34	0.26	0.20	0.16	0.14	0.12	0.10	0.08	0.20	0.20	0.20	0.24	0.24	0.24	0.24	
	Rated voltage (V)	6.3	10	16	25	35	50	63	100	160	200	250	315	350	400	450																																	
tan δ (max.)	0.34	0.26	0.20	0.16	0.14	0.12	0.10	0.08	0.20	0.20	0.20	0.24	0.24	0.24	0.24																																		
0.02 is added to every 1000µF increase over 1000µF. (20°C, 120Hz)																																																	
Characteristics at high and low temperature	<table border="1"> <thead> <tr> <th>Rated voltage (V)</th> <th>6.3</th><th>10</th><th>16</th><th>25</th><th>35</th><th>50</th><th>63</th><th>100</th><th>160 to 250</th><th>315 to 450</th> </tr> </thead> <tbody> <tr> <td>Impedance ratio (max.) Z-25°C/Z+20°C</td> <td>5</td><td>4</td><td>3</td><td>2</td><td>2</td><td>2</td><td>2</td><td>2</td><td>4</td><td>4</td> </tr> <tr> <td>Z-40°C/Z+20°C</td> <td>10</td><td>8</td><td>6</td><td>4</td><td>3</td><td>3</td><td>3</td><td>3</td><td>15</td><td>10</td> </tr> </tbody> </table>																Rated voltage (V)	6.3	10	16	25	35	50	63	100	160 to 250	315 to 450	Impedance ratio (max.) Z-25°C/Z+20°C	5	4	3	2	2	2	2	2	4	4	Z-40°C/Z+20°C	10	8	6	4	3	3	3	3	15	10
	Rated voltage (V)	6.3	10	16	25	35	50	63	100	160 to 250	315 to 450																																						
Impedance ratio (max.) Z-25°C/Z+20°C	5	4	3	2	2	2	2	2	4	4																																							
Z-40°C/Z+20°C	10	8	6	4	3	3	3	3	15	10																																							
(120Hz)																																																	
Endurance (105°C) (Applied ripple current)	Test time		2000 hours (φ5 to φ8, 100V or less : 1000 hours)																																														
	Leakage current		The initial specified value or less																																														
	Percentage of capacitance change		Within ±20% of initial value																																														
	Tangent of the loss angle		200% or less of the initial specified value																																														
Shelf life (105°C)	Test time : 1000hours ; other items are same as the endurance. Voltage application treatment : According to JIS C5101-4 4.1																																																
Applicable standards	JIS C5101 - 1, - 4 (IEC 60384 - 1, - 4)																																																

Outline Drawing

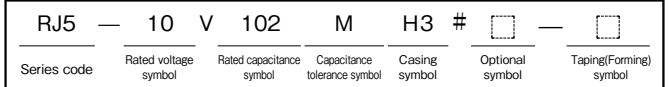
Unit : mm



Coefficient of Frequency for Rated Ripple Current

Rated voltage (V)	Rated capacitance (µF)	Frequency (Hz)				
		50 · 60	120	1k	10k	100k
6.3 to 100	1 to 47	0.8	1	1.5	1.7	2.0
	100 to 220	0.8	1	1.2	1.3	1.4
	330 to 1000	0.8	1	1.2	1.2	1.3
	2200 to 22000	0.8	1	1.1	1.1	1.1
160 to 450	1 to 470	0.8	1	1.3	1.4	1.6

Part numbering system (example : 10V1000µF)



In the case of 160V or beyond, should put in optional symbol "B".

Casing symbol

Size φD×L (mm)	Casing Symbol	Size φD×L (mm)	Casing Symbol	Size φD×L (mm)	Casing Symbol	Size φD×L (mm)	Casing Symbol
5×11	E3	10×12.5	H3	16×20	J5	18×20	K5
6.3×11	F3	10×16	H4	16×25	J6	18×25	K6
8×11.5	G3	10×20	H5	16×31.5	J7	18×31.5	K7
—	—	12.5×20	I5	16×35.5	J8	18×35.5	K8
—	—	12.5×25	I6	—	—	18×40	K9

NOTE : Design, Specifications are subject to change without notice. It is recommended that you shall obtain technical specifications from ELNA to ensure that the component is suitable for your use.

Standard Ratings

Rated voltage (V)	6.3		10		16		25		35		50		63		100	
	Item	Case	Rated ripple current (mA _{rms})	Case	Rated ripple current (mA _{rms})	Case	Rated ripple current (mA _{rms})	Case	Rated ripple current (mA _{rms})	Case	Rated ripple current (mA _{rms})	Case	Rated ripple current (mA _{rms})	Case	Rated ripple current (mA _{rms})	Case
Rated capacitance (μF)	φD×L (mm)		φD×L (mm)		φD×L (mm)		φD×L (mm)		φD×L (mm)		φD×L (mm)		φD×L (mm)		φD×L (mm)	
1	—	—	—	—	—	—	—	—	—	—	5×11	15	—	—	5×11	15
2.2	—	—	—	—	—	—	—	—	—	—	5×11	22	—	—	5×11	21
3.3	—	—	—	—	—	—	—	—	—	—	5×11	27	—	—	5×11	29
4.7	—	—	—	—	—	—	—	—	—	—	5×11	32	—	—	5×11	32
10	—	—	—	—	—	—	—	—	—	—	5×11	47	—	—	5×11	50
22	—	—	—	—	—	—	—	—	—	—	5×11	70	5×11	71	6.3×11	93
33	—	—	—	—	—	—	—	—	—	—	5×11	90	6.3×11	100	8×11.5	130
47	—	—	—	—	—	—	—	—	5×11	93	6.3×11	115	6.3×11	120	8×11.5	140
68	—	—	—	—	—	—	—	—	6.3×11	110	6.3×11	150	8×11.5	155	10×12.5	190
100	—	—	—	—	—	—	5×11	125	6.3×11	151	8×11.5	190	8×11.5	200	10×16	240
220	—	—	5×11	155	6.3×11	190	6.3×11	200	8×11.5	270	10×12.5	314	10×16	335	12.5×20	390
330	—	—	6.3×11	210	6.3×11	225	8×11.5	310	10×12.5	384	10×16	421	10×20	510	—	—
470	—	—	6.3×11	250	8×11.5	323	10×12.5	429	10×16	470	10×20	540	12.5×20	640	16×25	715
1000	8×11.5	398	10×12.5	460	10×12.5	500	10×16	610	12.5×20	857	12.5×25	1000	16×25	930	18×35.5	960
2200	10×16	635	10×16	705	10×20	710	12.5×25	1180	16×25	1380	16×31.5	1410	18×35.5	1650	—	—
3300	10×20	882	12.5×20	1010	12.5×25	1200	16×25	1440	16×31.5	1500	18×35.5	1990	—	—	—	—
4700	12.5×20	1120	12.5×25	1260	16×25	1500	16×25	1570	16×35.5	1780	—	—	—	—	—	—
6800	12.5×25	1380	16×25	1570	16×25	1600	16×35.5	1850	18×40	2000	—	—	—	—	—	—
10000	16×25	1750	16×31.5	1820	16×35.5	1930	18×40	2000	—	—	—	—	—	—	—	—
15000	16×31.5	1820	16×35.5	2050	18×40	2210	—	—	—	—	—	—	—	—	—	—
22000	18×35.5	2280	18×40	2420	—	—	—	—	—	—	—	—	—	—	—	—

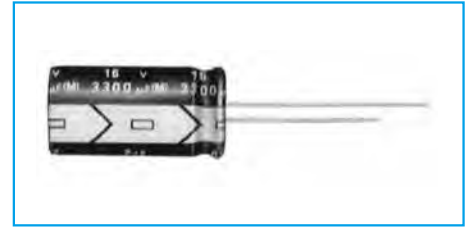
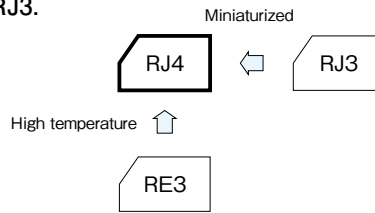
Rated voltage (V)	160		200		250		315		350		400		450	
	Item	Case	Rated ripple current (mA _{rms})	Case	Rated ripple current (mA _{rms})	Case	Rated ripple current (mA _{rms})	Case	Rated ripple current (mA _{rms})	Case	Rated ripple current (mA _{rms})	Case	Rated ripple current (mA _{rms})	Case
Rated capacitance (μF)	φD×L (mm)		φD×L (mm)		φD×L (mm)		φD×L (mm)		φD×L (mm)		φD×L (mm)		φD×L (mm)	
1	—	—	—	—	—	—	—	—	—	—	—	—	6.3×11	12
2.2	—	—	—	—	—	—	6.3×11	21	6.3×11	21	—	—	8×11.5	20
3.3	—	—	—	—	6.3×11	35	6.3×11	26	6.3×11	26	—	—	10×12.5	41
4.7	—	—	6.3×11	42	6.3×11	42	8×11.5	35	8×11.5	35	8×11.5	35	10×12.5	49
10	6.3×11	61	8×11.5	72	8×11.5	72	10×16	74	10×16	67	10×16	67	10×20	86
22	10×12.5	125	10×16	135	10×16	135	12.5×20	135	12.5×20	140	12.5×20	140	12.5×25	170
33	10×16	170	10×20	185	12.5×20	210	12.5×25	195	12.5×25	195	12.5×25	195	16×20	225
47	10×20	220	—	—	12.5×20	250	—	—	—	—	16×25	350	16×25	296
68	12.5×25	330	12.5×20	305	16×20	355	18×20	350	16×31.5	390	16×31.5	460	16×31.5	390
100	16×20	430	12.5×25	400	16×25	465	16×35.5	500	16×35.5	500	18×25	380	18×25	380
120	16×25	510	16×20	430	18×20	465	18×25	460	18×25	460	18×31.5	505	18×35.5	540
150	18×20	570	16×25	510	16×31.5	560	18×31.5	560	18×31.5	560	18×35.5	588	18×40	615
180	18×25	675	16×25	570	16×35.5	655	18×35.5	648	18×35.5	648	18×40	688	—	—
220	18×25	745	18×25	615	18×25	615	—	—	—	—	—	—	—	—
330	—	—	16×31.5	685	18×31.5	735	18×40	750	—	—	—	—	—	—
470	18×40	1300	18×25	675	16×35.5	790	18×35.5	855	—	—	—	—	—	—
			18×31.5	810	—	—	—	—	—	—	—	—	—	—
			18×40	1090	—	—	—	—	—	—	—	—	—	—

(Note) Rated ripple current : 105° C, 120Hz ; ESR. : 20° C, 120Hz

105°C Miniature Capacitors

GREEN CAP 105°C 2000hours Anti-cleaning solvent 250V Max.

- Case size is one rank smaller than Series RJ3.
- Guarantees 2000 hours at 105°C. (φ5 to φ8 : 1000 hours)



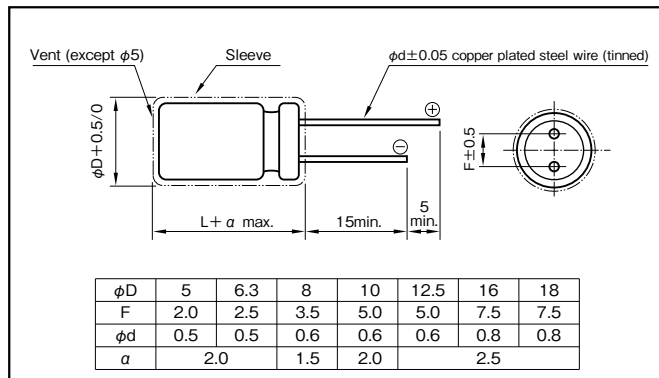
Marking color : White print on a black sleeve

Specifications

Item	Performance																																	
Category temperature range (°C)	-55 to +105	-40 to +105																																
Rated voltage (V)	6.3 to 100	160 to 450																																
Tolerance at rated capacitance (%)	±20 (20°C, 120Hz)																																	
Leakage current (μA) (max.)	0.03CV or 4 whichever is larger (after 1 minute) 0.01CV or 3 whichever is larger (after 2 minutes)	CV ≤ 1000 : 0.1CV+40 (after 1 minute) CV > 1000 : 0.04CV+100 (after 1 minute)																																
C : Rated capacitance (μF) ; V : Rated voltage (V) (20°C)																																		
Tangent of loss angle (tanδ)	<table border="1"> <thead> <tr> <th>Rated voltage (V)</th> <th>6.3</th> <th>10</th> <th>16</th> <th>25</th> <th>35</th> <th>50</th> <th>63</th> <th>100</th> <th>160</th> <th>200</th> <th>250</th> <th>315</th> <th>350</th> <th>400</th> <th>450</th> </tr> </thead> <tbody> <tr> <td>tan δ (max.)</td> <td>0.28</td> <td>0.24</td> <td>0.20</td> <td>0.16</td> <td>0.14</td> <td>0.12</td> <td>0.10</td> <td>0.08</td> <td>0.20</td> <td>0.20</td> <td>0.20</td> <td>0.24</td> <td>0.24</td> <td>0.24</td> <td>0.24</td> </tr> </tbody> </table> <p>0.02 is added to every 1000μF increase over 1000μF. (20°C, 120Hz)</p>		Rated voltage (V)	6.3	10	16	25	35	50	63	100	160	200	250	315	350	400	450	tan δ (max.)	0.28	0.24	0.20	0.16	0.14	0.12	0.10	0.08	0.20	0.20	0.20	0.24	0.24	0.24	0.24
Rated voltage (V)	6.3	10	16	25	35	50	63	100	160	200	250	315	350	400	450																			
tan δ (max.)	0.28	0.24	0.20	0.16	0.14	0.12	0.10	0.08	0.20	0.20	0.20	0.24	0.24	0.24	0.24																			
Characteristics at high and low temperature	<table border="1"> <thead> <tr> <th>Rated voltage (V)</th> <th>6.3</th> <th>10</th> <th>16</th> <th>25</th> <th>35</th> <th>50</th> <th>63</th> <th>100</th> <th>160 to 250</th> <th>315 to 450</th> </tr> </thead> <tbody> <tr> <td rowspan="2">Impedance ratio (max.)</td> <td>Z-25°C/Z+20°C</td> <td>5</td> <td>4</td> <td>3</td> <td>2</td> <td>2</td> <td>2</td> <td>2</td> <td>4</td> <td>4</td> </tr> <tr> <td>Z-40°C/Z+20°C</td> <td>10</td> <td>8</td> <td>6</td> <td>4</td> <td>3</td> <td>3</td> <td>3</td> <td>15</td> <td>10</td> </tr> </tbody> </table> <p>(120Hz)</p>		Rated voltage (V)	6.3	10	16	25	35	50	63	100	160 to 250	315 to 450	Impedance ratio (max.)	Z-25°C/Z+20°C	5	4	3	2	2	2	2	4	4	Z-40°C/Z+20°C	10	8	6	4	3	3	3	15	10
Rated voltage (V)	6.3	10	16	25	35	50	63	100	160 to 250	315 to 450																								
Impedance ratio (max.)	Z-25°C/Z+20°C	5	4	3	2	2	2	2	4	4																								
	Z-40°C/Z+20°C	10	8	6	4	3	3	3	15	10																								
Endurance (105°C) (Applied ripple current)	<table border="1"> <thead> <tr> <th>Test time</th> <th>2000 hours (φ5 to φ8 : 1000 hours)</th> </tr> </thead> <tbody> <tr> <td>Leakage current</td> <td>The initial specified value or less</td> </tr> <tr> <td>Percentage of capacitance change</td> <td>Within ±20% of initial value</td> </tr> <tr> <td>Tangent of the loss angle</td> <td>200% or less of the initial specified value</td> </tr> </tbody> </table>		Test time	2000 hours (φ5 to φ8 : 1000 hours)	Leakage current	The initial specified value or less	Percentage of capacitance change	Within ±20% of initial value	Tangent of the loss angle	200% or less of the initial specified value																								
Test time	2000 hours (φ5 to φ8 : 1000 hours)																																	
Leakage current	The initial specified value or less																																	
Percentage of capacitance change	Within ±20% of initial value																																	
Tangent of the loss angle	200% or less of the initial specified value																																	
Shelf life (105°C)	Test time : 1000hours ; other items are same as the endurance. Voltage application treatment : According to JIS C5101-4 4.1																																	
Applicable standards	JIS C5101 - 1, - 4 (IEC 60384 - 1, - 4)																																	

Outline Drawing

Unit : mm



Coefficient of Frequency for Rated Ripple Current

Rated voltage (V)	Frequency (Hz)	Rated capacitance (μF)					
		50 · 60	120	1k	10k	100k	
6.3 to 100	1 to 47	0.8	1	1.5	1.7	2.0	
	100 to 220	0.8	1	1.2	1.3	1.4	
	330 to 1000	0.8	1	1.2	1.2	1.3	
	2200 to 22000	0.8	1	1.1	1.1	1.1	
160 to 450	1 to 330	0.8	1	1.3	1.4	1.6	

Part numbering system (example : 16V2200μF)

RJ4	—	16	V	222	M	I5	#	□	—	□
Series code		Rated voltage symbol		Rated capacitance symbol	Capacitance tolerance symbol	Casing symbol	Optional symbol			Taping/Forming symbol

Casing symbol

Size φD×L (mm)	Casing Symbol	Size φD×L (mm)	Casing Symbol
5×11	E3	12.5×25	I6
6.3×11	F3	16×25	J6
8×11.5	G3	16×31.5	J7
10×12.5	H3	16×35.5	J8
10×16	H4	18×31.5	K7
10×20	H5	18×35.5	K8
12.5×20	I5	18×40	K9

NOTE : Design, Specifications are subject to change without notice. It is recommended that you shall obtain technical specifications from ELNA to ensure that the component is suitable for your use.

Standard Ratings

Rated voltage (V)	Item	6.3			10			16			25			35			50			63			100		
		Case ΦD×L (mm)	ESR (Ω)	Rated ripple current (mA rms)	Case ΦD×L (mm)	ESR (Ω)	Rated ripple current (mA rms)	Case ΦD×L (mm)	ESR (Ω)	Rated ripple current (mA rms)	Case ΦD×L (mm)	ESR (Ω)	Rated ripple current (mA rms)	Case ΦD×L (mm)	ESR (Ω)	Rated ripple current (mA rms)	Case ΦD×L (mm)	ESR (Ω)	Rated ripple current (mA rms)	Case ΦD×L (mm)	ESR (Ω)	Rated ripple current (mA rms)	Case ΦD×L (mm)	ESR (Ω)	Rated ripple current (mA rms)
1	—	—	—	—	—	—	—	—	—	—	—	—	—	—	—	—	—	—	—	—	—	—	—	—	
2.2	—	—	—	—	—	—	—	—	—	—	—	—	—	—	—	—	—	—	—	—	—	—	—	—	
3.3	—	—	—	—	—	—	—	—	—	—	—	—	—	—	—	—	—	—	—	—	—	—	—	—	
4.7	—	—	—	—	—	—	—	—	—	—	—	—	—	—	—	—	—	—	—	—	—	—	—	—	
10	—	—	—	—	—	—	—	—	—	—	—	—	—	—	—	—	—	—	—	—	—	—	—	—	
22	—	—	—	—	—	—	—	—	—	—	—	—	—	—	—	—	—	—	—	—	—	—	—	—	
33	—	—	—	—	—	—	—	—	—	—	—	—	—	—	—	—	—	—	—	—	—	—	—	—	
47	—	—	—	—	—	—	—	—	—	—	—	—	—	—	—	—	—	—	—	—	—	—	—	—	
100	—	—	—	—	—	—	—	—	—	—	—	—	—	—	—	—	—	—	—	—	—	—	—	—	
220	5×11	2.11	140	6.3×11	1.81	166	6.3×11	1.51	190	8×11.5	1.21	247	10×12.5	1.06	314	10×12.5	0.91	314	10×16	0.75	335	12.5×25	0.60	440	
330	6.3×11	1.41	195	6.3×11	1.21	210	8×11.5	1.01	271	10×12.5	0.81	360	10×12.5	0.70	384	10×16	0.60	421	10×20	0.50	510	12.5×25	0.40	540	
470	6.3×11	0.99	232	8×11.5	0.85	325	8×11.5	0.71	323	10×12.5	0.57	429	10×16	0.50	470	12.5×20	0.42	628	12.5×20	0.35	640	16×25	0.28	715	
1000	8×11.5	0.47	398	10×12.5	0.40	457	10×16	0.33	560	10×20	0.27	705	12.5×20	0.23	857	12.5×25	0.20	1000	16×25	0.17	930	18×40	0.13	985	
2200	10×20	0.23	720	10×20	0.20	761	12.5×20	0.17	961	12.5×25	0.14	1180	16×25	0.12	1380	16×35.5	0.11	1660	—	—	—	—	—	—	
3300	10×20	0.16	882	12.5×20	0.14	1010	12.5×25	0.12	1200	16×25	0.10	1440	16×35.5	0.09	1780	18×35.5	0.08	1990	—	—	—	—	—	—	
4700	12.5×20	0.12	1120	12.5×25	0.11	1250	16×25	0.09	1490	16×31.5	0.08	1880	18×35.5	0.07	2120	—	—	—	—	—	—	—	—	—	
6800	12.5×25	0.09	1380	16×25	0.08	1570	16×35.5	0.07	1830	18×35.5	0.06	2330	—	—	—	—	—	—	—	—	—	—	—	—	
10000	16×25	0.08	1750	16×35.5	0.07	1910	18×35.5	0.06	2220	—	—	—	—	—	—	—	—	—	—	—	—	—	—	—	
15000	16×35.5	0.06	2040	18×35.5	0.06	2190	—	—	—	—	—	—	—	—	—	—	—	—	—	—	—	—	—	—	
22000	18×40	0.05	2390	—	—	—	—	—	—	—	—	—	—	—	—	—	—	—	—	—	—	—	—	—	

Rated voltage (V)	Item	160			200			250			315			350			400			450			
		Case ΦD×L (mm)	ESR (Ω)	Rated ripple current (mA rms)	Case ΦD×L (mm)	ESR (Ω)	Rated ripple current (mA rms)	Case ΦD×L (mm)	ESR (Ω)	Rated ripple current (mA rms)	Case ΦD×L (mm)	ESR (Ω)	Rated ripple current (mA rms)	Case ΦD×L (mm)	ESR (Ω)	Rated ripple current (mA rms)	Case ΦD×L (mm)	ESR (Ω)	Rated ripple current (mA rms)	Case ΦD×L (mm)	ESR (Ω)	Rated ripple current (mA rms)	
1	6.3×11	332	16	6.3×11	332	16	6.3×11	332	16	6.3×11	398	16	6.3×11	398	16	6.3×11	398	16	8×11.5	398	18		
2.2	6.3×11	151	23	6.3×11	151	23	6.3×11	151	23	8×11.5	181	27	8×11.5	181	27	8×11.5	181	27	10×12.5	181	31		
3.3	6.3×11	101	28	6.3×11	101	28	8×11.5	101	34	10×12.5	121	38	10×12.5	121	38	10×12.5	121	38	10×16	121	42		
4.7	6.3×11	70.6	34	8×11.5	70.6	40	8×11.5	70.6	40	10×12.5	84.7	45	10×12.5	84.7	45	10×16	84.7	50	10×20	84.7	54		
10	8×11.5	33.2	58	10×12.5	33.2	66	10×16	33.2	74	10×20	39.8	79	10×20	39.8	79	12.5×20	39.8	87	12.5×20	39.8	87		
22	10×16	15.1	107	10×20	15.1	120	12.5×20	15.1	130	12.5×20	18.1	129	12.5×25	18.1	140	12.5×25	18.1	140	16×25	18.1	160		
33	10×20	10.1	143	12.5×20	10.1	160	12.5×25	10.1	172	16×25	12.1	196	16×25	12.1	196	16×25	12.1	196	16×31.5	12.1	215		
47	12.5×20	7.06	188	12.5×20	7.06	188	12.5×25	7.06	205	16×25	8.47	234	16×25	8.47	234	16×31.5	8.47	256	16×35.5	8.47	269		
100	12.5×25	3.32	299	16×25	3.32	342	16×31.5	3.32	374	18×31.5	3.98	401	18×31.5	3.98	401	—	—	—	—	—	—	—	—
220	16×31.5	1.51	554	18×35.5	1.51	624	—	—	—	—	—	—	—	—	—	—	—	—	—	—	—	—	—
330	18×35.5	1.01	764	—	—	—	—	—	—	—	—	—	—	—	—	—	—	—	—	—	—	—	—

(Note) Rated ripple current : 105°C, 120Hz ; ESR. : 20°C, 120Hz

NOTE : Design, Specifications are subject to change without notice.
It is recommended that you shall obtain technical specifications from ELNA to ensure that the component is suitable for your use.

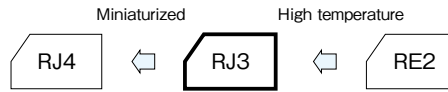
105°C Use, Standard Capacitors

GREEN CAP

105°C
2000hours

Anti-cleaning solvent
250V Max

- Guarantees 2000 hours at 105°C (φ5 to φ8 : 1000 hours).



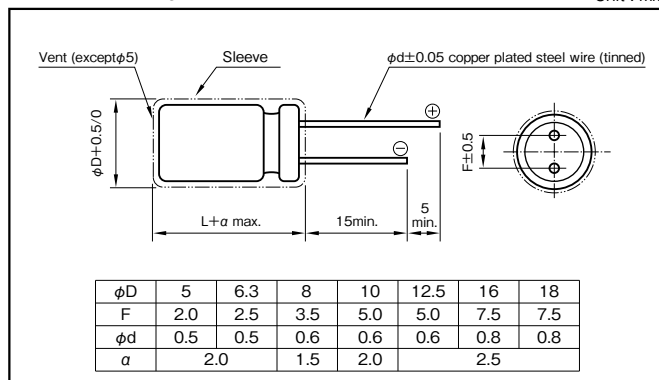
Marking color : White print on a black sleeve

Specifications

Item	Performance																														
Category temperature range (°C)	-55 to +105	-40 to +105																													
Rated voltage (V)	6.3 to 100	160 to 400																													
Tolerance at rated capacitance (%)	±20 (20°C, 120Hz)																														
Leakage current (μA) (max.)	0.03CV or 4 whichever is larger (after 1 minute) 0.01CV or 3 whichever is larger (after 2 minutes)	CV ≤ 1000 : 0.1CV+40 (after 1 minute) CV > 1000 : 0.04CV+100 (after 1 minute)																													
Tangent of loss angle (tanδ)	C : Rated capacitance (μF) ; V : Rated voltage (V) (20°C)																														
	<table border="1"> <thead> <tr> <th>Rated voltage (V)</th> <th>6.3</th> <th>10</th> <th>16</th> <th>25</th> <th>35</th> <th>50</th> <th>63</th> <th>100</th> <th>160</th> <th>200</th> <th>250</th> <th>315</th> <th>350</th> <th>400</th> </tr> </thead> <tbody> <tr> <td>tan δ (max.)</td> <td>0.22</td> <td>0.19</td> <td>0.16</td> <td>0.14</td> <td>0.12</td> <td>0.10</td> <td>0.09</td> <td>0.08</td> <td>0.15</td> <td>0.15</td> <td>0.15</td> <td>0.20</td> <td>0.20</td> <td>0.20</td> </tr> </tbody> </table> <p>0.02 is added to every 1000μF increase over 1000μF. (20°C, 120Hz)</p>		Rated voltage (V)	6.3	10	16	25	35	50	63	100	160	200	250	315	350	400	tan δ (max.)	0.22	0.19	0.16	0.14	0.12	0.10	0.09	0.08	0.15	0.15	0.15	0.20	0.20
Rated voltage (V)	6.3	10	16	25	35	50	63	100	160	200	250	315	350	400																	
tan δ (max.)	0.22	0.19	0.16	0.14	0.12	0.10	0.09	0.08	0.15	0.15	0.15	0.20	0.20	0.20																	
Characteristics at high and low temperature	Rated voltage (V)																														
	Impedance ratio (max.)	Z-25°C/Z+20°C																													
		Z-40°C/Z+20°C																													
Z-55°C/Z+20°C																															
Endurance (105°C) (Applied ripple current)	Test time	2000 hours (φ5 to φ8 : 1000 hours)																													
	Leakage current	The initial specified value or less																													
	Percentage of capacitance change	Within ±20% of initial value																													
	Tangent of the loss angle	200% or less of the initial specified value																													
Shelf life (105°C)	Test time : 1000hours ; other items are same as the endurance. Voltage application treatment : According to JIS C5101-4 4.1																														
Applicable standards	JIS C5101 - 1,- 4 (IEC 60384 - 1,- 4)																														

Outline Drawing

Unit : mm



Coefficient of Frequency for Rated Ripple Current

Rated voltage (V)	Rated capacitance (μF)	Frequency (Hz)				
		50 · 60	120	1k	10k	100k
6.3 to 100	1 to 4.7	—	0.4	0.7	0.8	1
	10 to 47	—	0.5	0.8	0.9	1
	100 to 220	—	0.7	0.9	0.9	1
	330 to 1000	—	0.8	0.9	1.0	1
	2200 to 15000	—	0.9	1.0	1.0	1
160 to 400	1 to 220	0.8	1	1.3	1.4	1.6

Part numbering system (example : 63V1000μF)

RJ3	—	63	V	102	M	J7	#	□	—	□
Series code		Rated voltage symbol		Rated capacitance symbol	Capacitance tolerance symbol	Casing symbol	Optional symbol			Taping/Forming symbol

Casing symbol

Size φD×L (mm)	Casing Symbol	Size φD×L (mm)	Casing Symbol
5×11	E3	12.5×25	I6
6.3×11	F3	16×25	J6
8×11.5	G3	16×31.5	J7
10×12.5	H3	16×35.5	J8
10×16	H4	18×35.5	K8
10×20	H5	18×40	K9
12.5×20	I5		

NOTE : Design, Specifications are subject to change without notice.
It is recommended that you shall obtain technical specifications from ELNA to ensure that the component is suitable for your use.

Standard Ratings

Rated voltage (V)	Item	6.3				10				16				25			
		Case φD×L (mm)	ESR (Ω)	Impedance (Ω max.)	Rated ripple current (mAmps)	Case φD×L (mm)	ESR (Ω)	Impedance (Ω max.)	Rated ripple current (mAmps)	Case φD×L (mm)	ESR (Ω)	Impedance (Ω max.)	Rated ripple current (mAmps)	Case φD×L (mm)	ESR (Ω)	Impedance (Ω max.)	Rated ripple current (mAmps)
4.7	—	—	—	—	—	—	—	—	—	—	—	—	—	—	—	—	—
10	—	—	—	—	—	—	—	—	—	5×11	26.5	2.5	92	5×11	23.2	2.5	92
22	—	—	—	—	5×11	14.3	2.5	92	5×11	12.1	1.9	105	5×11	10.6	1.9	105	
33	5×11	11.1	2.5	105	5×11	9.55	1.9	105	5×11	8.04	1.5	120	5×11	7.04	1.5	120	
47	5×11	7.77	1.5	120	5×11	6.71	1.5	120	5×11	5.65	1.2	130	5×11	4.94	1.2	130	
100	5×11	3.65	1.2	130	5×11	3.15	1.2	130	6.3×11	2.65	0.58	220	6.3×11	2.32	0.58	220	
220	6.3×11	1.66	0.87	180	6.3×11	1.43	0.58	220	8×11.5	1.21	0.47	290	8×11.5	1.06	0.39	315	
330	6.3×11	1.11	0.58	220	8×11.5	0.96	0.47	265	8×11.5	0.81	0.39	315	10×12.5	0.70	0.23	500	
470	8×11.5	0.78	0.39	315	8×11.5	0.67	0.39	315	10×12.5	0.57	0.23	500	10×16	0.50	0.18	615	
1000	10×12.5	0.37	0.23	500	10×16	0.32	0.18	615	10×20	0.27	0.12	825	12.5×20	0.23	0.090	1050	
2200	12.5×20	0.18	0.095	1000	12.5×20	0.16	0.090	1050	12.5×25	0.14	0.068	1300	16×25	0.12	0.056	1740	
3300	12.5×20	0.13	0.090	1050	12.5×25	0.12	0.068	1300	16×25	0.10	0.056	1740	16×31.5	0.09	0.045	2110	
4700	16×25	0.10	0.061	1670	16×25	0.09	0.056	1740	16×31.5	0.08	0.045	2110	18×35.5	0.07	0.036	2580	
6800	16×25	0.08	0.056	1740	16×31.5	0.07	0.045	2110	18×35.5	0.06	0.036	2580	—	—	—	—	
10000	16×31.5	0.06	0.045	2110	18×35.5	0.06	0.036	2580	—	—	—	—	—	—	—	—	
15000	18×35.5	0.05	0.036	2580	—	—	—	—	—	—	—	—	—	—	—	—	

Rated voltage (V)	Item	35				50				63				100			
		Case φD×L (mm)	ESR (Ω)	Impedance (Ω max.)	Rated ripple current (mAmps)	Case φD×L (mm)	ESR (Ω)	Impedance (Ω max.)	Rated ripple current (mAmps)	Case φD×L (mm)	ESR (Ω)	Impedance (Ω max.)	Rated ripple current (mAmps)	Case φD×L (mm)	ESR (Ω)	Impedance (Ω max.)	Rated ripple current (mAmps)
1	—	—	—	—	—	5×11	166	4.9	35	—	—	—	—	5×11	133	11	45
2.2	—	—	—	—	—	5×11	75.4	4.2	53	—	—	—	—	5×11	60.3	9.2	60
3.3	—	—	—	—	—	5×11	50.3	3.9	65	—	—	—	—	5×11	40.2	7.2	67
4.7	5×11	42.4	2.5	92	5×11	35.3	3.6	82	5×11	31.8	5.8	74	5×11	28.2	6.3	75	
10	5×11	19.9	1.9	105	5×11	16.6	2.7	100	5×11	14.9	3.6	95	6.3×11	13.3	3.3	110	
22	5×11	9.05	1.5	120	5×11	7.54	1.9	125	6.3×11	6.79	2.1	130	8×11.5	6.03	1.4	165	
33	5×11	6.03	1.2	130	6.3×11	5.03	1.1	195	6.3×11	4.52	1.7	160	10×12.5	4.02	0.94	305	
47	6.3×11	4.24	0.58	220	6.3×11	3.53	0.90	245	8×11.5	3.18	1.2	305	10×16	2.82	0.68	320	
100	8×11.5	1.99	0.39	315	8×11.5	1.66	0.50	385	10×12.5	1.49	0.65	395	12.5×20	1.33	0.28	585	
220	10×12.5	0.91	0.23	500	10×16	0.75	0.27	505	10×20	0.68	0.32	505	16×25	0.60	0.16	1120	
330	10×16	0.60	0.18	615	10×20	0.50	0.18	675	12.5×20	0.45	0.22	660	16×25	0.40	0.13	1290	
470	10×20	0.42	0.12	825	12.5×20	0.35	0.12	895	12.5×25	0.32	0.16	850	16×31.5	0.28	0.11	1350	
1000	12.5×25	0.20	0.068	1300	16×25	0.17	0.076	1495	16×31.5	0.15	0.098	1430	—	—	—	—	
2200	16×31.5	0.11	0.045	2110	18×35.5	0.09	0.050	2190	—	—	—	—	—	—	—	—	
3300	18×35.5	0.08	0.036	2580	—	—	—	—	—	—	—	—	—	—	—	—	

(Note) Rated ripple current : 105°C, 100kHz ; ESR : 20°C, 120Hz ; Impedance : 20°C, 100kHz

Rated voltage (V)	Item	160			200			250			315			350			400		
		Case φD×L (mm)	ESR (Ω)	Rated ripple current (mAmps)	Case φD×L (mm)	ESR (Ω)	Rated ripple current (mAmps)	Case φD×L (mm)	ESR (Ω)	Rated ripple current (mAmps)	Case φD×L (mm)	ESR (Ω)	Rated ripple current (mAmps)	Case φD×L (mm)	ESR (Ω)	Rated ripple current (mAmps)	Case φD×L (mm)	ESR (Ω)	Rated ripple current (mAmps)
1	6.3×11	248	18	6.3×11	248	18	6.3×11	248	18	6.3×11	331	16	6.3×11	331	18	8×11.5	331	18	
2.2	6.3×11	113	26	6.3×11	113	26	8×11.5	113	30	8×11.5	150	27	8×11.5	150	30	10×12.5	150	30	
3.3	8×11.5	75.4	37	8×11.5	75.4	37	10×12.5	75.4	43	10×12.5	100	36	10×12.5	100	36	10×16	100	40	
4.7	8×11.5	52.9	44	10×12.5	52.9	50	10×12.5	52.9	50	10×16	70.6	47	10×16	70.6	47	10×20	70.6	52	
10	10×12.5	24.9	75	10×16	24.9	80	10×20	24.9	90	10×20	33.2	75	12.5×20	33.2	79	12.5×20	33.2	79	
22	10×20	11.3	135	10×20	11.3	135	12.5×25	11.3	155	12.5×25	15.1	130	12.5×25	15.1	130	16×25	15.1	130	
33	12.5×20	7.54	175	12.5×25	7.54	190	12.5×25	7.54	190	16×25	10.1	160	16×25	10.1	160	16×31.5	10.1	175	
47	12.5×25	5.29	230	12.5×25	5.29	230	16×25	5.29	225	16×31.5	7.06	210	16×31.5	7.06	210	18×35.5	7.06	220	
100	16×25	2.49	330	16×31.5	2.49	360	18×35.5	2.49	340	18×40	3.32	335	18×40	3.32	335	—	—	—	
220	18×35.5	1.13	500	18×40	1.13	525	—	—	—	—	—	—	—	—	—	—	—	—	

(Note) Rated ripple current : 105°C, 120Hz ; ESR : 20°C, 120Hz

NOTE : Design, Specifications are subject to change without notice.
It is recommended that you shall obtain technical specifications from ELNA to ensure that the component is suitable for your use.

105°C Use, Miniature, High-Reliability, Low Impedance Capacitors

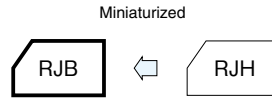
GREEN CAP

Low Impedance

105°C 5000hours

Anti-cleaning solvent

- Smaller and higher ripple current than RJB Series.
- Guarantees 5000 hours at 105°C.
($\phi 5$ to $\phi 6.3$: 2000 hours ; $\phi 8$ to $\phi 10$: 3000 hours)



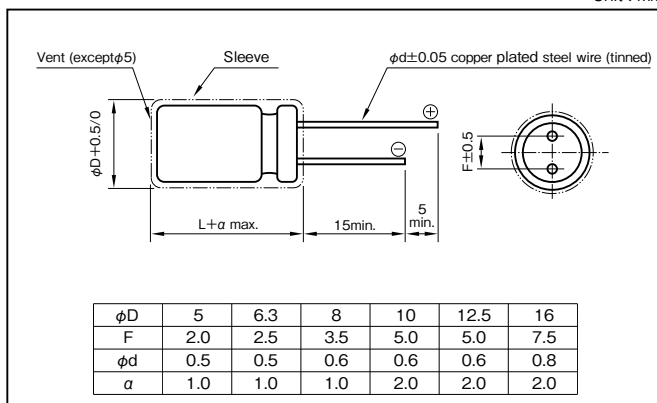
Marking color : White print on a black sleeve

Specifications

Item	Performance									
Category temperature range (°C)	-55 to +105									
Tolerance at rated capacitance (%)	±20 (20°C, 120Hz)									
Leakage current (µA) (max.)	0.01CV + 1 (after 2 minutes) C : Rated capacitance (µF) ; V : Rated voltage (V) (20°C)									
Tangent of loss angle (tanδ)	Rated voltage (V)	6.3	10	16	25	35	50	63	100	
	tanδ (max.)	0.22	0.19	0.16	0.14	0.12	0.10	0.09	0.08	
0.02 is added to every 1000µF increase over 1000µF. (20°C, 120Hz)										
Characteristics at high and low temperature	Rated voltage (V)	6.3	10	16	25	35	50	63	100	
	Impedance ratio (max.)	Z-55°C/Z+20°C	3	3	3	3	3	3	3	3
(120Hz)										
Endurance (105°C) (Applied ripple current)	Test time	5000 hours ($\phi 5$ to $\phi 6.3$: 2000 hours) ($\phi 8$ to $\phi 10$: 3000 hours)								
	Leakage current	The initial specified value or less								
	Percentage of capacitance change	Within ±20% of initial value								
	Tangent of the loss angle	200% or less of the initial specified value								
Shelf life (105°C)	Test time	1000 hours								
	Leakage current	The initial specified value or less								
	Percentage of capacitance change	Within ±15% of initial value								
	Tangent of the loss angle	150% or less of the initial specified value								
Voltage application treatment : According to JIS C5101-4 4.1										
Applicable standards	JIS C5101 - 1, - 4 (IEC 60384 - 1, - 4)									

Outline Drawing

Unit : mm



Coefficient of Frequency for Rated Ripple Current

Rated capacitance (µF) \ Frequency (Hz)	120	1k	10k	100k
3.3 to 180	0.40	0.75	0.90	1
220 to 390	0.50	0.85	0.95	1
470 to 1800	0.60	0.88	0.96	1
2200 to 3900	0.75	0.90	0.98	1
4700 to 10000	0.85	0.95	1.00	1

Part numbering system (example : 10V1000µF)

RJB	—	10	V	102	M	H4	#	—	□
Series code		Rated voltage symbol		Rated capacitance symbol	Capacitance tolerance symbol	Casing symbol			Taping(Forming) symbol

NOTE : Design, Specifications are subject to change without notice.
It is recommended that you shall obtain technical specifications from ELNA to ensure that the component is suitable for your use.

Standard Ratings

Rated voltage (V)	Item	6.3					10					16				
		Case φD×L (mm)	Casing symbol	Impedance (Ω max.)		Rated ripple current (mAmps)	Case φD×L (mm)	Casing symbol	Impedance (Ω max.)		Rated ripple current (mAmps)	Case φD×L (mm)	Casing symbol	Impedance (Ω max.)		Rated ripple current (mAmps)
				20°C	-10°C				20°C	-10°C				20°C	-10°C	
100	—	—	—	—	—	5×11.5	E3	0.65	1.3	181	—	—	—	—	—	
220	—	—	—	—	—	6.3×11.5	F3	0.32	0.64	290	—	—	—	—	—	
330	6.3×11.5	F3	0.32	0.64	290	8×12	G3	0.17	0.34	555	8×12	G3	0.17	0.34	555	
470	8×12	G3	0.17	0.34	555	8×12	G3	0.17	0.34	555	10×12.5	H3	0.12	0.24	760	
680	8×12	G3	0.17	0.34	555	10×12.5	H3	0.12	0.24	760	10×16	H4	0.080	0.16	1050	
1000	10×12.5	H3	0.12	0.24	760	10×16	H4	0.080	0.16	1050	10×20	H5	0.062	0.124	1220	
2200	10×25	H6	0.052	0.104	1440	12.5×20	I5	0.042	0.084	1690	12.5×25	I6	0.034	0.068	1950	
3300	12.5×20	I5	0.042	0.084	1690	12.5×25	I6	0.034	0.068	1950	16×25	J6	0.028	0.056	2560	
4700	12.5×30	I7	0.030	0.060	2310	16×25	J6	0.028	0.056	2560	16×31.5	J7	0.025	0.050	3010	
6800	16×25	J6	0.028	0.056	2560	16×31.5	J7	0.025	0.050	3010	—	—	—	—	—	
10000	16×31.5	J7	0.025	0.050	3010	—	—	—	—	—	—	—	—	—	—	

Rated voltage (V)	Item	25					35					50				
		Case φD×L (mm)	Casing symbol	Impedance (Ω max.)		Rated ripple current (mAmps)	Case φD×L (mm)	Casing symbol	Impedance (Ω max.)		Rated ripple current (mAmps)	Case φD×L (mm)	Casing symbol	Impedance (Ω max.)		Rated ripple current (mAmps)
				20°C	-10°C				20°C	-10°C				20°C	-10°C	
22	—	—	—	—	—	—	—	—	—	—	5×11.5	E3	0.95	1.9	170	
33	—	—	—	—	—	5×11.5	E3	0.65	1.3	181	6.3×11.5	F3	0.46	0.92	260	
47	5×11.5	E3	0.65	1.3	181	6.3×11.5	F3	0.32	0.64	290	6.3×11.5	F3	0.46	0.92	260	
100	6.3×11.5	F3	0.32	0.64	290	8×12	G3	0.17	0.34	555	8×12	G3	0.21	0.42	485	
150	—	—	—	—	—	—	—	—	—	—	10×12.5	H3	0.19	0.38	615	
220	8×12	G3	0.17	0.34	555	10×12.5	H3	0.12	0.24	760	10×16	H4	0.16	0.32	850	
330	10×12.5	H3	0.12	0.24	760	10×16	H4	0.080	0.16	1050	10×20	H5	0.085	0.17	1050	
470	10×16	H4	0.080	0.16	1050	10×20	H5	0.062	0.124	1220	12.5×20	I5	0.060	0.12	1500	
680	10×20	H5	0.062	0.124	1220	12.5×20	I5	0.042	0.084	1690	12.5×25	I6	0.045	0.090	1832	
1000	12.5×20	I5	0.042	0.084	1690	12.5×25	I6	0.034	0.068	1950	16×25	J6	0.038	0.076	2240	
2200	16×25	J6	0.028	0.056	2560	16×31.5	J7	0.025	0.050	3010	—	—	—	—	—	
3300	16×31.5	J7	0.025	0.050	3010	—	—	—	—	—	—	—	—	—	—	

Rated voltage (V)	Item	63					100				
		Case φD×L (mm)	Casing symbol	Impedance (Ω max.)		Rated ripple current (mAmps)	Case φD×L (mm)	Casing symbol	Impedance (Ω max.)		Rated ripple current (mAmps)
				20°C	-10°C				20°C	-10°C	
3.3	—	—	—	—	—	5×11.5	E3	1.9	7.6	57	
4.7	5×11.5	E3	1.2	3.6	120	5×11.5	E3	1.9	7.6	57	
10	5×11.5	E3	1.2	3.6	120	6.3×11.5	F3	1.1	4.4	78	
22	6.3×11.5	F3	0.55	1.7	148	8×12	G3	0.53	2.1	275	
33	6.3×11.5	F3	0.55	1.7	148	10×12.5	H3	0.47	1.9	319	
47	8×12	G3	0.32	0.96	360	10×16	H4	0.32	1.3	424	
100	10×12.5	H3	0.23	0.69	448	12.5×20	I5	0.13	0.52	805	
220	10×20	H5	0.12	0.36	676	16×25	J6	0.081	0.32	1290	
330	12.5×20	I5	0.075	0.23	979	16×25	J6	0.081	0.32	1290	
470	12.5×25	I6	0.065	0.20	1180	16×31.5	J7	0.059	0.23	1630	
1000	16×31.5	J7	0.042	0.13	1890	—	—	—	—	—	

(Note) Rated ripple current : 105°C, 100kHz ; Impedance : 100kHz

105°C Use, High-Reliability, Low Impedance Capacitors

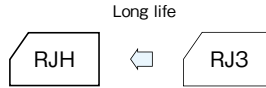
GREEN CAP

Low Impedance

105°C 5000hours

Anti-cleaning solvent

- Guarantees 5000 hours at 105°C.
($\phi 5$ to $\phi 6.3$: 2000 hours ; $\phi 8$ to $\phi 10$: 3000 hours)



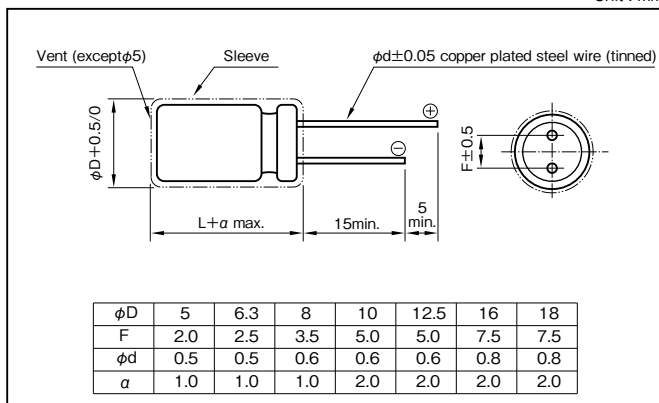
Marking color : White print on a black sleeve

Specifications

Item	Performance																										
Category temperature range (°C)	-55 to +105																										
Tolerance at rated capacitance (%)	±20 (20°C, 120Hz)																										
Leakage current (μA) (max.)	0.01CV + 2 (after 2 minutes) C : Rated capacitance (μF) ; V : Rated voltage (V) (20°C)																										
Tangent of loss angle (tanδ)	<table border="1"> <thead> <tr> <th>Rated voltage (V)</th> <th>6.3</th> <th>10</th> <th>16</th> <th>25</th> <th>35</th> <th>50</th> <th>63</th> <th>100</th> </tr> </thead> <tbody> <tr> <td>tanδ (max.)</td> <td>0.22</td> <td>0.19</td> <td>0.16</td> <td>0.14</td> <td>0.12</td> <td>0.10</td> <td>0.08</td> <td>0.07</td> </tr> </tbody> </table>	Rated voltage (V)	6.3	10	16	25	35	50	63	100	tanδ (max.)	0.22	0.19	0.16	0.14	0.12	0.10	0.08	0.07								
	Rated voltage (V)	6.3	10	16	25	35	50	63	100																		
tanδ (max.)	0.22	0.19	0.16	0.14	0.12	0.10	0.08	0.07																			
0.02 is added to every 1000μF increase over 1000μF. (20°C, 120Hz)																											
Characteristics at high and low temperature	<table border="1"> <thead> <tr> <th>Rated voltage (V)</th> <th>6.3</th> <th>10</th> <th>16</th> <th>25</th> <th>35</th> <th>50</th> <th>63</th> <th>100</th> </tr> </thead> <tbody> <tr> <td rowspan="2">Impedance ratio (max.)</td> <td>Z-25°C/Z+20°C</td> <td>2</td> <td>2</td> <td>2</td> <td>2</td> <td>2</td> <td>2</td> <td>2</td> </tr> <tr> <td>Z-55°C/Z+20°C</td> <td>3</td> <td>3</td> <td>3</td> <td>3</td> <td>3</td> <td>3</td> <td>3</td> </tr> </tbody> </table>	Rated voltage (V)	6.3	10	16	25	35	50	63	100	Impedance ratio (max.)	Z-25°C/Z+20°C	2	2	2	2	2	2	2	Z-55°C/Z+20°C	3	3	3	3	3	3	3
	Rated voltage (V)	6.3	10	16	25	35	50	63	100																		
Impedance ratio (max.)	Z-25°C/Z+20°C	2	2	2	2	2	2	2																			
	Z-55°C/Z+20°C	3	3	3	3	3	3	3																			
(120Hz)																											
Endurance (105°C) (Applied ripple current)	Test time	5000 hours ($\phi 5$ to $\phi 6.3$: 2000 hours) ($\phi 8$ to $\phi 10$: 3000 hours)																									
	Leakage current	The initial specified value or less																									
	Percentage of capacitance change	Within ±20% of initial value																									
	Tangent of the loss angle	200% or less of the initial specified value																									
Shelf life (105°C)	Test time	1000 hours																									
	Leakage current	The initial specified value or less																									
	Percentage of capacitance change	Within ±15% of initial value																									
	Tangent of the loss angle	150% or less of the initial specified value																									
Voltage application treatment : According to JIS C5101-4 4.1																											
Applicable standards	JIS C5101 - 1, - 4 (IEC 60384 - 1, - 4)																										

Outline Drawing

Unit : mm



Coefficient of Frequency for Rated Ripple Current

Rated capacitance (μF) \ Frequency (Hz)	120	1k	10k	100k
1 to 4.7	0.40	0.68	0.78	1
5.6 to 47	0.50	0.76	0.87	1
56 to 270	0.70	0.85	0.90	1
330 to 1000	0.80	0.93	0.98	1
1200 to 15000	0.90	0.95	1.00	1

Part numbering system (example : 10V5600μF)

RJH	—	10	V	562	M	J7	#	—	□
Series code		Rated voltage symbol		Rated capacitance symbol	Capacitance tolerance symbol	Casing symbol			Taping(Forming) symbol

NOTE : Design, Specifications are subject to change without notice.
It is recommended that you shall obtain technical specifications from ELNA to ensure that the component is suitable for your use.

Standard Ratings

Rated voltage (V)		6.3					10				
Case φD×L (mm)	Item Casing symbol	Rated capacitance (μF)	ESR (Ω)	Impedance (Ω max.)		Rated ripple current (mA rms)	Rated capacitance (μF)	ESR (Ω)	Impedance (Ω max.)		Rated ripple current (mA rms)
				20°C	-10°C				20°C	-10°C	
5×11.5	E3	100	3.65	0.65	1.46	175	82	3.84	0.65	1.46	175
6.3×11.5	F3	220	1.66	0.31	0.70	290	180	1.75	0.31	0.70	290
8×12	G3	470	0.777	0.17	0.38	488	330	0.956	0.17	0.38	488
8×15	G4	680	0.537	0.13	0.29	617	470	0.671	0.13	0.29	617
8×20	G5	1000	0.365	0.095	0.21	800	680	0.464	0.095	0.21	800
10×12.5	H3	680	0.537	0.10	0.23	625	470	0.671	0.10	0.23	625
10×16	H4	820	0.446	0.080	0.18	825	560	0.563	0.080	0.18	825
10×20	H5	1200	0.305	0.062	0.14	1010	1000	0.316	0.062	0.14	1010
10×25	H6	1500	0.244	0.052	0.12	1190	1200	0.263	0.052	0.12	1190
10×30	H7	2200	0.181	0.044	0.099	1440	1500	0.211	0.044	0.099	1440
12.5×15	I4	• 1200	0.305	0.062	0.14	1010	• 1000	0.316	0.062	0.14	1010
12.5×20	I5	2200	0.181	0.042	0.095	1400	1800	0.176	0.042	0.095	1400
12.5×25	I6	2700	0.148	0.034	0.076	1690	2200	0.159	0.034	0.076	1690
12.5×30	I7	3900	0.111	0.030	0.068	1950	2700	0.130	0.030	0.068	1950
12.5×35	I8	4700	0.099	0.024	0.054	2220	3300	0.116	0.024	0.054	2220
12.5×40	I9	5600	0.089	0.021	0.047	2390	3900	0.098	0.021	0.047	2390
16×16	J4	• 2700	0.148	0.046	0.10	1310	• 1800	0.176	0.046	0.10	1310
16×20	J5	• 4700	0.099	0.034	0.077	1660	• 3300	0.116	0.034	0.077	1660
16×25	J6	5600	0.089	0.028	0.063	2070	3900	0.098	0.028	0.063	2070
16×31.5	J7	6800	0.079	0.025	0.056	2350	5600	0.080	0.025	0.056	2350
16×35.5	J8	8200	0.073	0.022	0.050	2550	6800	0.071	0.022	0.050	2550
16×40	J9	12000	0.059	0.018	0.041	2970	8200	0.067	0.018	0.041	2970
18×16	K4	• 3300	0.131	0.043	0.097	1460	• 2200	0.159	0.043	0.097	1460
18×20	K5	• 5600	0.089	0.030	0.068	1850	• 3900	0.098	0.030	0.068	1850
18×25	K6	• 6800	0.079	0.027	0.061	2120	• 4700	0.089	0.027	0.061	2120
18×31.5	K7	10000	0.064	0.023	0.052	2410	6800	0.071	0.023	0.052	2410
18×35.5	K8	12000	0.059	0.019	0.043	2680	8200	0.067	0.019	0.043	2680
18×40	K9	15000	0.054	0.017	0.038	3010	10000	0.059	0.017	0.038	3010

Rated voltage (V)		16					25				
Case φD×L (mm)	Item Casing symbol	Rated capacitance (μF)	ESR (Ω)	Impedance (Ω max.)		Rated ripple current (mA rms)	Rated capacitance (μF)	ESR (Ω)	Impedance (Ω max.)		Rated ripple current (mA rms)
				20°C	-10°C				20°C	-10°C	
5×11.5	E3	56	4.74	0.65	1.46	175	39	5.96	0.65	1.46	175
6.3×11.5	F3	120	2.21	0.31	0.70	290	82	2.83	0.31	0.70	290
8×12	G3	270	0.983	0.17	0.38	488	180	1.29	0.17	0.38	488
8×15	G4	330	0.805	0.13	0.29	617	220	1.06	0.13	0.29	617
8×20	G5	470	0.565	0.095	0.21	800	330	0.704	0.095	0.21	800
10×12.5	H3	330	0.805	0.10	0.23	625	220	1.06	0.10	0.23	625
10×16	H4	390	0.681	0.080	0.18	825	270	0.861	0.080	0.18	825
10×20	H5	680	0.391	0.062	0.14	1010	470	0.495	0.062	0.14	1010
10×25	H6	820	0.324	0.052	0.12	1190	560	0.415	0.052	0.12	1190
10×30	H7	1200	0.222	0.044	0.099	1440	820	0.284	0.044	0.099	1440
12.5×15	I4	• 680	0.391	0.062	0.14	1010	• 470	0.495	0.062	0.14	1010
12.5×20	I5	1200	0.222	0.042	0.095	1400	820	0.284	0.042	0.095	1400
12.5×25	I6	1500	0.177	0.034	0.076	1690	1000	0.233	0.034	0.076	1690
12.5×30	I7	2200	0.136	0.030	0.068	1950	1500	0.155	0.030	0.068	1950
12.5×35	I8	2700	0.111	0.024	0.054	2220	1800	0.130	0.024	0.054	2220
12.5×40	I9	3300	0.101	0.021	0.047	2390	2200	0.121	0.021	0.047	2390
16×16	J4	• 1500	0.177	0.046	0.10	1310	• 820	0.284	0.046	0.10	1310
16×20	J5	• 2200	0.136	0.034	0.077	1660	• 1500	0.155	0.034	0.077	1660
16×25	J6	2700	0.111	0.028	0.063	2070	1800	0.130	0.028	0.063	2070
16×31.5	J7	3900	0.086	0.025	0.056	2350	2700	0.099	0.025	0.056	2350
16×35.5	J8	4700	0.078	0.022	0.050	2550	3300	0.091	0.022	0.050	2550
16×40	J9	5600	0.072	0.018	0.041	2970	3900	0.077	0.018	0.041	2970
18×16	K4	• 1500	0.177	0.043	0.097	1460	• 1200	0.194	0.043	0.097	1460
18×20	K5	• 2700	0.111	0.030	0.068	1850	• 1800	0.130	0.030	0.068	1850
18×25	K6	• 3900	0.086	0.027	0.061	2120	• 2700	0.099	0.027	0.061	2120
18×31.5	K7	4700	0.078	0.023	0.052	2410	3300	0.091	0.023	0.052	2410
18×35.5	K8	6800	0.064	0.019	0.043	2680	3900	0.077	0.019	0.043	2680
18×40	K9	8200	0.061	0.017	0.038	3010	4700	0.071	0.017	0.038	3010

(Note) Rated ripple current : 105°C, 100kHz ; ESR : 20°C, 120Hz ; Impedance : 100kHz
 • : The black circles in the capacitance column denote semi-standard products.

NOTE : Design, Specifications are subject to change without notice.
 It is recommended that you shall obtain technical specifications from ELNA to ensure that the component is suitable for your use.

Standard Ratings

Rated voltage (V)			35					50				
Case φD×L (mm)	Casing symbol	Item	Rated capacitance (μF)	ESR (Ω)	Impedance (Ω max.)		Rated ripple current (mA rms)	Rated capacitance (μF)	ESR (Ω)	Impedance (Ω max.)		Rated ripple current (mA rms)
					20°C	-10°C				20°C	-10°C	
5×11.5	E3	—	—	—	—	—	—	1	166	3.5	7.0	36
5×11.5	E3	—	—	—	—	—	—	2	75.4	3.0	6.0	54
5×11.5	E3	—	—	—	—	—	—	3.3	50.3	2.6	5.2	63
5×11.5	E3	—	—	—	—	—	—	4.7	35.3	2.2	4.4	75
5×11.5	E3	—	—	—	—	—	—	10	16.6	1.4	2.8	110
5×11.5	E3	• 27	7.37	0.65	1.46	175	18	9.22	0.95	1.9	1.9	120
6.3×11.5	F3	• 56	3.56	0.31	0.70	290	39	4.25	0.43	0.86	0.86	148
8×12	G3	• 120	1.66	0.17	0.38	488	68	2.44	0.20	0.40	0.40	360
8×15	G4	• 180	1.11	0.13	0.29	617	82	2.02	0.18	0.36	0.36	460
8×20	G5	• 220	0.905	0.095	0.21	800	120	1.38	0.13	0.26	0.26	670
10×12.5	H3	• 150	1.33	0.10	0.23	625	82	2.02	0.18	0.36	0.36	443
10×16	H4	• 180	1.11	0.080	0.18	825	100	1.66	0.15	0.30	0.30	553
10×20	H5	• 330	0.604	0.062	0.14	1010	180	0.922	0.085	0.17	0.17	676
10×25	H6	• 390	0.511	0.052	0.12	1190	220	0.754	0.075	0.15	0.15	876
10×30	H7	• 560	0.356	0.044	0.099	1440	330	0.503	0.055	0.11	0.11	1010
12.5×15	I4	• 330	0.604	0.062	0.140	1010	• 180	0.922	0.095	0.19	0.19	745
12.5×20	I5	• 560	0.356	0.042	0.095	1400	330	0.503	0.060	0.12	0.12	979
12.5×25	I6	• 680	0.293	0.034	0.076	1690	470	0.353	0.044	0.088	0.088	1180
12.5×30	I7	• 1000	0.200	0.030	0.068	1950	560	0.297	0.040	0.080	0.080	1310
12.5×35	I8	• 1200	0.166	0.024	0.054	2220	680	0.244	0.036	0.072	0.072	1470
12.5×40	I9	• 1500	0.133	0.021	0.047	2390	820	0.203	0.034	0.068	0.068	1590
16×16	J4	• 560	0.356	0.046	0.10	1310	• 330	0.503	0.065	0.13	0.13	982
16×20	J5	• 1000	0.200	0.034	0.077	1660	• 680	0.244	0.045	0.090	0.090	1210
16×25	J6	• 1200	0.166	0.028	0.063	2070	820	0.203	0.038	0.076	0.076	1490
16×31.5	J7	• 1800	0.111	0.025	0.056	2350	1000	0.166	0.032	0.064	0.064	1890
16×35.5	J8	• 2200	0.106	0.022	0.050	2550	1200	0.139	0.028	0.056	0.056	2140
16×40	J9	• 2700	0.087	0.018	0.041	2970	1500	0.111	0.026	0.052	0.052	2410
18×16	K4	• 680	0.293	0.043	0.097	1460	• 470	0.353	0.048	0.096	0.096	1180
18×20	K5	• 1200	0.166	0.030	0.068	1850	• 820	0.203	0.036	0.072	0.072	1450
18×25	K6	• 1800	0.111	0.027	0.061	2120	• 1000	0.166	0.032	0.064	0.064	1720
18×31.5	K7	• 2200	0.106	0.023	0.052	2410	1500	0.111	0.026	0.052	0.052	1970
18×35.5	K8	• 2700	0.087	0.019	0.043	2680	1800	0.074	0.025	0.050	0.050	2310
18×40	K9	• 3300	0.081	0.017	0.038	3010	2200	0.073	0.024	0.048	0.048	2530

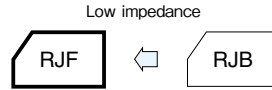
Rated voltage (V)			63					100				
Case φD×L (mm)	Casing symbol	Item	Rated capacitance (μF)	ESR (Ω)	Impedance (Ω max.)		Rated ripple current (mA rms)	Rated capacitance (μF)	ESR (Ω)	Impedance (Ω max.)		Rated ripple current (mA rms)
					20°C	-10°C				20°C	-10°C	
5×11.5	E3	• 12	11.1	1.2	3.6	120	• 5.6	20.7	1.9	7.6	57	
6.3×11.5	F3	• 27	4.92	0.55	1.7	148	12	9.68	1.1	4.4	78	
8×12	G3	• 47	2.82	0.32	0.96	360	22	5.28	0.53	2.1	275	
8×15	G4	• 68	1.95	0.24	0.72	469	33	3.52	0.35	1.4	360	
8×20	G5	• 82	1.62	0.17	0.51	682	39	2.98	0.27	1.1	490	
10×12.5	H3	• 56	2.37	0.23	0.69	448	27	4.30	0.47	1.9	319	
10×16	H4	• 68	1.95	0.17	0.51	553	33	3.52	0.32	1.3	424	
10×20	H5	• 120	1.11	0.12	0.36	676	56	2.07	0.25	1.0	499	
10×25	H6	• 150	0.885	0.10	0.30	876	68	1.71	0.18	0.72	634	
10×30	H7	• 180	0.738	0.085	0.26	1020	100	1.16	0.15	0.60	739	
12.5×15	I4	• 150	0.885	0.11	0.33	745	• 68	1.71	0.20	0.80	613	
12.5×20	I5	• 220	0.604	0.075	0.23	979	100	1.16	0.13	0.52	805	
12.5×25	I6	• 270	0.492	0.065	0.20	1180	120	0.968	0.11	0.44	857	
12.5×30	I7	• 390	0.341	0.055	0.17	1310	180	0.646	0.090	0.36	1120	
12.5×35	I8	• 470	0.283	0.048	0.14	1470	220	0.528	0.075	0.30	1240	
12.5×40	I9	• 560	0.237	0.042	0.13	1590	270	0.431	0.060	0.24	1330	
16×16	J4	• 220	0.604	0.080	0.24	982	• 120	0.968	0.13	0.52	706	
16×20	J5	• 390	0.341	0.057	0.17	1210	• 180	0.646	0.11	0.44	916	
16×25	J6	• 470	0.283	0.052	0.16	1490	220	0.528	0.081	0.32	1290	
16×31.5	J7	• 680	0.196	0.042	0.13	1890	330	0.352	0.059	0.23	1630	
16×35.5	J8	• 820	0.162	0.036	0.11	2140	390	0.298	0.052	0.21	1750	
16×40	J9	• 1000	0.133	0.032	0.096	2410	470	0.248	0.045	0.18	1920	
18×16	K4	• 330	0.403	0.065	0.20	1200	• 150	0.775	0.12	0.48	871	
18×20	K5	• 470	0.237	0.058	0.17	1460	• 270	0.431	0.085	0.34	1170	
18×25	K6	• 680	0.196	0.050	0.15	1740	• 330	0.352	0.071	0.28	1500	
18×31.5	K7	• 820	0.162	0.042	0.13	1990	390	0.298	0.058	0.23	1630	
18×35.5	K8	• 1000	0.133	0.035	0.11	2340	560	0.208	0.054	0.22	1920	
18×40	K9	• 1200	0.111	0.032	0.096	2560	680	0.171	0.041	0.16	2100	

(Note) Rated ripple current : 105°C, 100kHz ; ESR : 20°C, 120Hz ; Impedance : 100kHz
 • : The black circles in the capacitance column denote semi-standard products.

105°C Use, Miniature, High-Reliability, Extra Low Impedance Capacitors

GREEN CAP Low Impedance 105°C 10000hours Anti-cleaning solvent

- Higher ripple current and Lower impedance than RJB series.



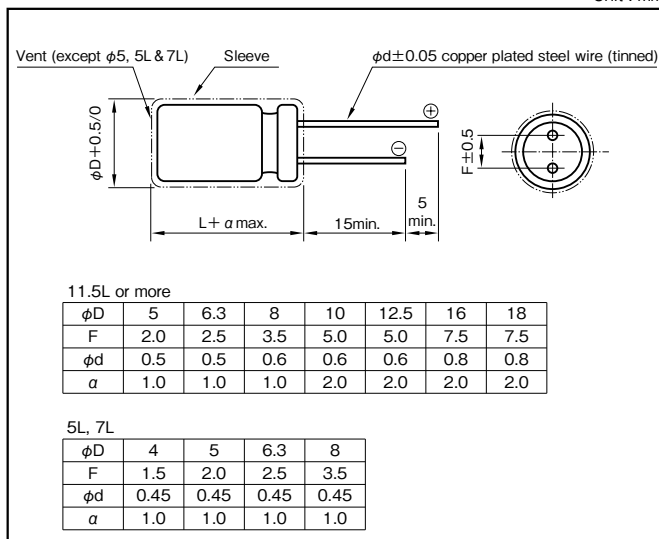
Marking color : White print on a black sleeve

Specifications

Item	Performance																													
Category temperature range (°C)	-40 to +105																													
Tolerance at rated capacitance (%)	±20 (20°C, 120Hz)																													
Leakage current (µA) (max.)	0.01 CV or 3 whichever is larger (after 2 minutes) C : Rated capacitance (µF) ; V : Rated voltage (V) (20°C)																													
Tangent of loss angle (tanδ)	<table border="1"> <thead> <tr> <th>Rated voltage (V)</th> <th>6.3</th> <th>10</th> <th>16</th> <th>25</th> <th>35</th> <th>50</th> <th>63</th> <th>80</th> <th>100</th> </tr> </thead> <tbody> <tr> <td>tanδ (max.)</td> <td>0.22</td> <td>0.19</td> <td>0.16</td> <td>0.14</td> <td>0.12</td> <td>0.10</td> <td>0.09</td> <td>0.09</td> <td>0.08</td> </tr> </tbody> </table> <p>0.02 is added to every 1000µF increase over 1000µF. (20°C, 120Hz)</p>	Rated voltage (V)	6.3	10	16	25	35	50	63	80	100	tanδ (max.)	0.22	0.19	0.16	0.14	0.12	0.10	0.09	0.09	0.08									
Rated voltage (V)	6.3	10	16	25	35	50	63	80	100																					
tanδ (max.)	0.22	0.19	0.16	0.14	0.12	0.10	0.09	0.09	0.08																					
Characteristics at high and low temperature	<table border="1"> <thead> <tr> <th>Rated voltage (V)</th> <th>6.3</th> <th>10</th> <th>16</th> <th>25</th> <th>35</th> <th>50</th> <th>63</th> <th>80</th> <th>100</th> </tr> </thead> <tbody> <tr> <td rowspan="2">Impedance ratio (max.)</td> <td>Z-25°C/Z+20°C</td> <td>2</td> <td>2</td> <td>2</td> <td>2</td> <td>2</td> <td>2</td> <td>2</td> <td>2</td> </tr> <tr> <td>Z-40°C/Z+20°C</td> <td>3</td> <td>3</td> <td>3</td> <td>3</td> <td>3</td> <td>3</td> <td>3</td> <td>3</td> </tr> </tbody> </table> <p>(120Hz)</p>	Rated voltage (V)	6.3	10	16	25	35	50	63	80	100	Impedance ratio (max.)	Z-25°C/Z+20°C	2	2	2	2	2	2	2	2	Z-40°C/Z+20°C	3	3	3	3	3	3	3	3
Rated voltage (V)	6.3	10	16	25	35	50	63	80	100																					
Impedance ratio (max.)	Z-25°C/Z+20°C	2	2	2	2	2	2	2	2																					
	Z-40°C/Z+20°C	3	3	3	3	3	3	3	3																					
Endurance (105°C) (Applied ripple current)	<table border="1"> <tbody> <tr> <td>Test time</td> <td>5L & 7L : 1000 hours φ5 & φ6.3 : 2000 hours (63 to 100WV:5000 hours) φ8 & φ10 : 3000 hours (63 to 100WV:7000 hours) φ12.5 to φ18 : 5000 hours (63 to 100WV:10000 hours)</td> </tr> <tr> <td>Leakage current</td> <td>The initial specified value or less</td> </tr> <tr> <td>Percentage of capacitance change</td> <td>Within ±25% of initial value</td> </tr> <tr> <td>Tangent of the loss angle</td> <td>200% or less of the initial specified value</td> </tr> </tbody> </table>	Test time	5L & 7L : 1000 hours φ5 & φ6.3 : 2000 hours (63 to 100WV:5000 hours) φ8 & φ10 : 3000 hours (63 to 100WV:7000 hours) φ12.5 to φ18 : 5000 hours (63 to 100WV:10000 hours)	Leakage current	The initial specified value or less	Percentage of capacitance change	Within ±25% of initial value	Tangent of the loss angle	200% or less of the initial specified value																					
Test time	5L & 7L : 1000 hours φ5 & φ6.3 : 2000 hours (63 to 100WV:5000 hours) φ8 & φ10 : 3000 hours (63 to 100WV:7000 hours) φ12.5 to φ18 : 5000 hours (63 to 100WV:10000 hours)																													
Leakage current	The initial specified value or less																													
Percentage of capacitance change	Within ±25% of initial value																													
Tangent of the loss angle	200% or less of the initial specified value																													
Shelf life (105°C)	<table border="1"> <tbody> <tr> <td>Test time</td> <td>1000 hours</td> </tr> <tr> <td>Leakage current</td> <td>The initial specified value or less</td> </tr> <tr> <td>Percentage of capacitance change</td> <td>Within ±25% of initial value</td> </tr> <tr> <td>Tangent of the loss angle</td> <td>200% or less of the initial specified value</td> </tr> </tbody> </table> <p>Voltage application treatment : According to JIS C5101-4 4.1</p>	Test time	1000 hours	Leakage current	The initial specified value or less	Percentage of capacitance change	Within ±25% of initial value	Tangent of the loss angle	200% or less of the initial specified value																					
Test time	1000 hours																													
Leakage current	The initial specified value or less																													
Percentage of capacitance change	Within ±25% of initial value																													
Tangent of the loss angle	200% or less of the initial specified value																													
Applicable standards	JIS C5101 - 1,- 4 (IEC 60384 - 1,- 4)																													

Outline Drawing

Unit : mm



Coefficient of Frequency for Rated Ripple Current

Rated capacitance (µF) \ Frequency (Hz)	120	1k	10k	100k
5.6 to 180	0.40	0.75	0.90	1
220 to 390	0.50	0.85	0.94	1
470 to 1800	0.60	0.87	0.95	1
2200 to 3900	0.75	0.90	0.95	1
4700 to 6800	0.85	0.95	0.98	1

Part numbering system (example : 10V1000µF)

RJF	—	10	V	102	M	H4	#	—	□
Series code		Rated voltage symbol		Rated capacitance symbol	Capacitance tolerance symbol	Casing symbol			Taping(Forming) symbol

NOTE : Design, Specifications are subject to change without notice.
It is recommended that you shall obtain technical specifications from ELNA to ensure that the component is suitable for your use.

Standard Ratings

Rated voltage (V)	Item	6.3					10					16				
		Case φD×L (mm)	Casing symbol	Impedance (Ω max.)		Rated ripple current (mArms)	Case φD×L (mm)	Casing symbol	Impedance (Ω max.)		Rated ripple current (mArms)	Case φD×L (mm)	Casing symbol	Impedance (Ω max.)		Rated ripple current (mArms)
				20°C	-10°C				20°C	-10°C				20°C	-10°C	
18	—	—	—	—	—	—	—	—	—	—	4×7	D1	0.92	2.8	130	
27	—	—	—	—	—	4×7	D1	0.89	2.7	130	6.3×5	F0	0.30	0.95	210	
33	—	—	—	—	—	—	—	—	—	—	5×7	E1	0.45	1.4	210	
39	4×7	D1	0.85	2.6	130	—	—	—	—	—	6.3×5	F0	0.30	0.95	210	
47	—	—	—	—	—	6.3×5	F0	0.29	0.93	210	—	—	—	—	—	
56	—	—	—	—	—	5×7	E1	0.44	1.4	210	5×11.5	E3	0.22	0.80	345	
68	5×7	E1	0.43	1.3	210	—	—	—	—	—	6.3×7	F1	0.24	0.72	300	
100	6.3×5	F0	0.28	0.91	210	5×11.5	E3	0.22	0.8	345	—	—	—	—	—	
120	—	—	—	—	—	6.3×7	F1	0.23	0.69	300	8×7	G1	0.15	0.45	380	
150	5×11.5	E3	0.22	0.80	345	—	—	—	—	—	6.3×11.5	F3	0.094	0.35	540	
180	6.3×7	F1	0.23	0.69	300	—	—	—	—	—	—	—	—	—	—	
220	8×7	G1	0.15	0.45	380	8×7	G1	0.15	0.45	380	—	—	—	—	—	
330	6.3×11.5	F3	0.094	0.35	540	6.3×11.5	F3	0.094	0.35	540	—	—	—	—	—	
470	—	—	—	—	—	—	—	—	—	—	8×12	G3	0.056	0.19	945	
560	8×12	G3	0.056	0.19	945	8×12	G3	0.056	0.19	945	8×15	G4	0.045	0.15	1250	
680	—	—	—	—	—	10×12.5	H3	0.039	0.14	1330	10×16	H4	0.028	0.10	1760	
820	8×15	G4	0.045	0.15	1250	—	—	—	—	—	—	—	—	—	—	
1000	10×12.5	H3	0.039	0.14	1330	10×16	H4	0.028	0.10	1760	10×20	H5	0.020	0.060	1960	
1200	10×16	H4	0.028	0.10	1760	10×20	H5	0.020	0.060	1960	10×25	H6	0.018	0.054	2250	
1500	10×20	H5	0.020	0.060	1960	10×25	H6	0.018	0.054	2250	12.5×20	I5	0.017	0.043	2480	
2200	10×25	H6	0.018	0.054	2250	12.5×20	I5	0.017	0.043	2480	12.5×25	I6	0.015	0.038	2900	
2700	—	—	—	—	—	—	—	—	—	—	16×20	J5	0.015	0.038	3250	
3300	12.5×20	I5	0.017	0.043	2480	12.5×25	I6	0.015	0.038	2900	16×25	J6	0.013	0.035	3630	
3900	12.5×25	I6	0.015	0.038	2900	16×20	J5	0.015	0.038	3250	16×25	J6	0.013	0.035	3630	
4700	12.5×30	I7	0.013	0.033	3450	16×25	J6	0.013	0.035	3630	—	—	—	—	—	
5600	16×20	J5	0.015	0.038	3570	16×25	J6	0.013	0.035	3630	—	—	—	—	—	
6800	16×25	J6	0.013	0.035	3630	—	—	—	—	—	—	—	—	—	—	

Rated voltage (V)	Item	25					35					50				
		Case φD×L (mm)	Casing symbol	Impedance (Ω max.)		Rated ripple current (mArms)	Case φD×L (mm)	Casing symbol	Impedance (Ω max.)		Rated ripple current (mArms)	Case φD×L (mm)	Casing symbol	Impedance (Ω max.)		Rated ripple current (mArms)
				20°C	-10°C				20°C	-10°C				20°C	-10°C	
5.6	—	—	—	—	—	—	—	—	—	—	4×7	D1	1.0	3.0	130	
10	5×5	E0	0.61	1.5	130	5×5	E0	0.63	1.5	130	5×7	E1	0.50	1.5	210	
15	4×7	D1	0.94	2.9	130	4×7	D1	0.96	2.9	130	—	—	—	—	—	
18	—	—	—	—	—	5×7	E1	0.47	1.5	210	—	—	—	—	—	
22	6.3×5	F0	0.31	0.97	210	6.3×5	F0	0.32	1.0	210	6.3×7	F1	0.26	0.78	300	
27	5×7	E1	0.46	1.4	210	—	—	—	—	—	5×11.5	E3	0.34	1.18	238	
33	—	—	—	—	—	5×11.5	E3	0.22	0.80	345	8×7	G1	0.17	0.51	380	
39	—	—	—	—	—	6.3×7	F1	0.25	0.75	300	—	—	—	—	—	
47	5×11.5	E3	0.22	0.80	345	—	—	—	—	—	—	—	—	—	—	
56	6.3×7	F1	0.24	0.72	300	8×7	G1	0.16	0.48	380	6.3×11.5	F3	0.14	0.50	385	
100	6.3×11.5	F3	0.094	0.35	540	6.3×11.5	F3	0.094	0.35	540	—	—	—	—	—	
120	8×7	G1	0.15	0.45	380	—	—	—	—	—	8×12	G3	0.074	0.22	724	
150	—	—	—	—	—	—	—	—	—	—	8×15	G4	0.061	0.18	950	
180	—	—	—	—	—	8×12	G3	0.056	0.19	945	10×12.5	H3	0.061	0.18	979	
220	8×12	G3	0.056	0.19	945	10×12.5	H3	0.039	0.14	1330	8×20	G5	0.046	0.14	1190	
270	—	—	—	—	—	8×20	G5	0.029	0.11	1500	10×16	H4	0.042	0.12	1370	
330	10×12.5	H3	0.039	0.14	1330	10×16	H4	0.028	0.10	1760	10×20	H5	0.030	0.090	1580	
470	10×16	H4	0.028	0.10	1760	10×20	H5	0.020	0.060	1960	10×25	H6	0.028	0.085	1870	
560	—	—	—	—	—	10×25	H6	0.018	0.054	2250	12.5×20	I5	0.027	0.068	2050	
680	10×20	H5	0.020	0.060	1960	12.5×20	I5	0.017	0.043	2480	12.5×25	I6	0.023	0.059	2410	
820	10×25	H6	0.018	0.054	2250	—	—	—	—	—	16×20	J5	0.023	0.059	2730	
1000	12.5×20	I5	0.017	0.043	2480	12.5×25	I6	0.015	0.038	2900	16×25	J6	0.021	0.056	3010	
1200	—	—	—	—	—	16×20	J5	0.015	0.038	3250	—	—	—	—	—	
1500	12.5×25	I6	0.015	0.038	2900	16×25	J6	0.013	0.035	3630	—	—	—	—	—	
1800	16×20	J5	0.015	0.038	3250	16×25	J6	0.013	0.035	3630	—	—	—	—	—	
2200	16×25	J6	0.013	0.035	3630	—	—	—	—	—	—	—	—	—	—	
2700	16×25	J6	0.013	0.035	3630	—	—	—	—	—	—	—	—	—	—	

(Note) Rated ripple current : 105°C, 100kHz ; Impedance : 100kHz

NOTE : Design, Specifications are subject to change without notice.
It is recommended that you shall obtain technical specifications from ELNA to ensure that the component is suitable for your use.

Standard Ratings

Rated voltage (V)	Item	63				80				100						
		Case ϕ DxL (mm)	Casing symbol	Impedance (Ω max.)		Rated ripple current (mA rms)	Case ϕ DxL (mm)	Casing symbol	Impedance (Ω max.)		Rated ripple current (mA rms)	Case ϕ DxL (mm)	Casing symbol	Impedance (Ω max.)		Rated ripple current (mA rms)
				20°C	-10°C				20°C	-10°C				20°C	-10°C	
6.8	—	—	—	—	—	—	—	—	—	—	5 × 11.5	E3	1.4	5.6	125	
15	—	5 × 11.5	E3	0.88	3.5	165	—	—	—	—	6.3 × 11.5	F3	0.57	2.3	205	
27	—	—	—	—	—	—	—	—	—	—	8 × 12	G3	0.36	1.4	335	
33	—	6.3 × 11.5	F3	0.35	1.4	265	—	—	—	—	—	—	—	—	—	
39	—	—	—	—	—	—	—	—	—	—	8 × 15	G4	0.25	1.0	450	
47	—	—	—	—	—	—	—	—	—	—	10 × 12.5	H3	0.17	0.66	480	
56	—	8 × 12	G3	0.22	0.88	500	—	—	—	—	8 × 20	G5	0.19	0.76	565	
68	—	—	—	—	—	—	10 × 12.5	H3	0.17	0.66	480	10 × 16	H4	0.11	0.47	600
82	—	10 × 12.5	H3	0.11	0.44	690	—	—	—	—	10 × 20	H5	0.084	0.34	800	
100	—	—	—	—	—	—	10 × 16	H4	0.11	0.47	600	12.5 × 15	I4	0.11	0.34	750
120	—	8 × 20	G5	0.12	0.48	820	10 × 20	H5	0.084	0.34	800	10 × 25	H6	0.069	0.28	900
	—	10 × 16	H4	0.076	0.31	950										
150	—	—	—	—	—	—	10 × 25	H6	0.069	0.28	900	12.5 × 20	I5	0.062	0.18	1100
180	—	10 × 20	H5	0.056	0.23	1150	—	—	—	—	—	—	—	—	—	—
220	—	10 × 25	H6	0.046	0.19	1350	12.5 × 20	I5	0.062	0.18	1100	16 × 20	J5	0.048	0.15	1350
270	—	12.5 × 20	I5	0.041	0.13	1500	—	—	—	—	—	12.5 × 30	I7	0.042	0.13	1500
330	—	—	—	—	—	—	12.5 × 25	I6	0.047	0.14	1250	12.5 × 35	I8	0.036	0.11	1650
							16 × 20	J5	0.048	0.15	1350	16 × 25	J6	0.038	0.12	1700
							—	—	—	—	—	18 × 20	K5	0.045	0.14	1500
390	—	12.5 × 25	I6	0.031	0.093	1900	12.5 × 30	I7	0.042	0.13	1500	12.5 × 40	I9	0.032	0.095	1800
470	—	12.5 × 30	I7	0.028	0.084	2300	12.5 × 35	I8	0.036	0.11	1650	16 × 31.5	J7	0.032	0.095	1850
							16 × 25	J6	0.038	0.12	1700					
							18 × 20	K5	0.045	0.14	1500					
560	—	12.5 × 35	I8	0.024	0.070	2500	—	—	—	—	16 × 35.5	J8	0.029	0.086	2000	
							—	—	—	—	18 × 31.5	K7	0.030	0.090	1900	
680	—	12.5 × 40	I9	0.021	0.063	2800	16 × 31.5	J7	0.032	0.095	1850	16 × 40	J9	0.027	0.081	2480
		16 × 25	J6	0.025	0.075	2600						18 × 35.5	K8	0.027	0.081	2200
		18 × 20	K5	0.030	0.090	2500										
820	—	16 × 31.5	J7	0.021	0.063	2850	16 × 35.5	J8	0.029	0.086	2000	18 × 40	K9	0.026	0.077	2700
		18 × 25	K6	0.024	0.072	2800	18 × 31.5	K7	0.030	0.090	1900					
1000	—	16 × 35.5	J8	0.019	0.057	2900	—	—	—	—	—	—	—	—	—	
1200	—	16 × 40	J9	0.018	0.054	3400	18 × 40	K9	0.026	0.077	2700	—	—	—	—	—
		18 × 31.5	K7	0.020	0.060	3300										
1500	—	18 × 35.5	K8	0.018	0.054	3400	—	—	—	—	—	—	—	—	—	
1800	—	18 × 40	K9	0.017	0.051	3500	—	—	—	—	—	—	—	—	—	

(Note) Rated ripple current : 105°C , 100kHz ; Impedance : 100kHz

105°C Use, Miniature, Long Life, Extra Low Impedance Capacitors

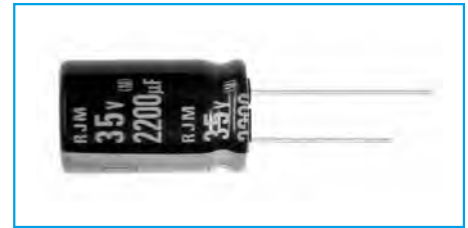
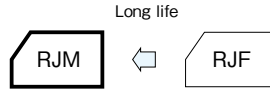
GREEN CAP

Low Impedance

105°C 10000hours

Anti-cleaning solvent

- Long life than RJF series.
- Guarantees 10000 hours at 105°C.
($\phi 5$, $\phi 6.3$: 6000 hours, $\phi 8$: 8000 hours)



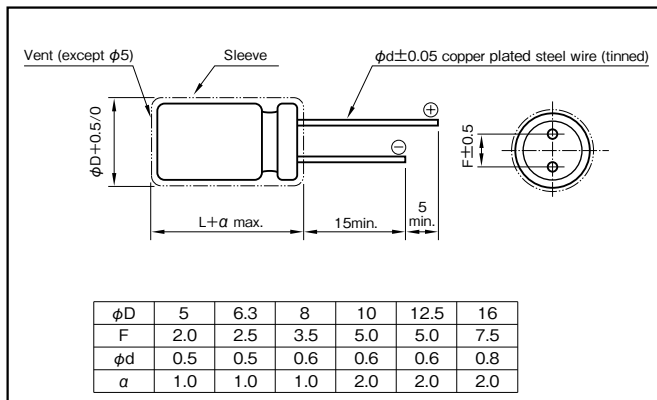
Marking color : White print on a black sleeve

Specifications

Item	Performance							
Category temperature range (°C)	-40 to +105							
Tolerance at rated capacitance (%)	±20 (20°C, 120Hz)							
Leakage current (µA) (max.)	0.01CV or 3 whichever is larger (after 2 minutes) C : Rated capacitance (µF), V : Rated voltage (V) (20°C)							
Tangent of loss angle (tanδ)	Rated voltage (V)	6.3	10	16	25	35	50	
	tanδ (max.)	0.22	0.19	0.16	0.14	0.12	0.10	
0.02 is added to every 1000µF increase over 1000µF. (20°C, 120Hz)								
Characteristics at high and low temperature	Rated voltage (V)	6.3	10	16	25	35	50	
	Impedance ratio (max.)	Z-25°C/Z+20°C	2	2	2	2	2	2
		Z-40°C/Z+20°C	3	3	3	3	3	3
(120Hz)								
Endurance (105°C) (Applied ripple current)	Test time	φ5 & φ6.3 : 6000 hours φ8 : 8000 hours φ10 or more: 10000 hours						
	Leakage current	The initial specified value or less						
	Percentage of capacitance change	Within ±25% of initial value (φ6.3 or less : ±30%)						
	Tangent of the loss angle	200% or less of the initial specified value						
Shelf life (105°C)	Test time	1000 hours						
	Leakage current	The initial specified value or less						
	Percentage of capacitance change	Within ±25% of initial value (φ6.3 or less : ±30%)						
	Tangent of the loss angle	200% or less of the initial specified value						
Voltage application treatment : According to JIS C5101-4 4.1								
Applicable standards	JIS C5101 - 1, - 4 (IEC 60384 - 1, - 4)							

Outline Drawing

Unit : mm



Coefficient of Frequency for Rated Ripple Current

Rated capacitance (µF)	Frequency (Hz)			
	120	1k	10k	100k
27 to 33	0.42	0.70	0.90	1
39 to 270	0.50	0.73	0.92	1
330 to 680	0.55	0.77	0.94	1
820 to 1800	0.60	0.80	0.96	1
2200 to 8200	0.70	0.85	0.98	1

Part numbering system (example : 10V1000µF)

RJM	—	10	V	102	M	G4	#	—	□
Series code		Rated voltage symbol		Rated capacitance symbol	Capacitance tolerance symbol	Casing symbol			Taping(Forming) symbol

NOTE : Design, Specifications are subject to change without notice.
It is recommended that you shall obtain technical specifications from ELNA to ensure that the component is suitable for your use.

Standard Ratings

Rated voltage(V) Item Rated capacitance (μF)	6.3					10					16				
	Case φDxL (mm)	Casing symbol	Impedance (Ω max.)		Rated ripple current (mAmps)	Case φDxL (mm)	Casing symbol	Impedance (Ω max.)		Rated ripple current (mAmps)	Case φDxL (mm)	Casing symbol	Impedance (Ω max.)		Rated ripple current (mAmps)
			20°C	-10°C				20°C	-10°C				20°C	-10°C	
82	—	—	—	—	—	—	—	—	—	—	5×11.5	E3	0.22	0.80	345
100	—	—	—	—	—	5×11.5	E3	0.22	0.80	345	5×11.5	E3	0.22	0.80	345
120	—	—	—	—	—	5×11.5	E3	0.22	0.80	345	—	—	—	—	—
150	5×11.5	E3	0.22	0.80	345	5×11.5	E3	0.22	0.80	345	—	—	—	—	—
180	—	—	—	—	—	—	—	—	—	—	6.3×11.5	F3	0.094	0.35	540
220	5×11.5	E3	0.22	0.80	345	6.3×11.5	F3	0.094	0.35	540	6.3×11.5	F3	0.094	0.35	540
270	—	—	—	—	—	6.3×11.5	F3	0.094	0.35	540	—	—	—	—	—
330	6.3×11.5	F3	0.094	0.35	540	6.3×11.5	F3	0.094	0.35	540	—	—	—	—	—
470	6.3×11.5	F3	0.094	0.35	540	—	—	—	—	—	8×12	G3	0.056	0.19	945
680	—	—	—	—	—	8×12	G3	0.056	0.19	945	8×15	G4	0.045	0.15	1250
820	8×12	G3	0.056	0.19	945	—	—	—	—	—	10×12.5	H3	0.039	0.14	1560
1000	—	—	—	—	—	8×15	G4	0.045	0.15	1250	8×20	G5	0.029	0.11	1500
1200	8×15	G4	0.045	0.15	1250	10×12.5	H3	0.039	0.14	1560	10×16	H4	0.028	0.10	2000
1500	10×12.5	H3	0.039	0.14	1560	—	—	—	—	—	—	—	—	—	—
1800	8×20	G5	0.029	0.11	1500	8×20	G5	0.029	0.11	1500	10×20	H5	0.020	0.060	2500
2200	10×16	H4	0.028	0.10	2000	10×20	H5	0.020	0.060	2500	10×25	H6	0.017	0.051	2900
2700	10×20	H5	0.020	0.060	2500	10×25	H6	0.017	0.051	2900	12.5×20	I5	0.017	0.043	2600
3300	10×25	H6	0.017	0.051	2900	—	—	—	—	—	12.5×25	I6	0.015	0.038	3200
3900	—	—	—	—	—	12.5×20	I5	0.017	0.043	2600	12.5×30	I7	0.013	0.033	3795
4700	12.5×20	I5	0.017	0.043	2600	12.5×25	I6	0.015	0.038	3200	16×20	J5	0.015	0.038	3575
5600	12.5×25	I6	0.015	0.038	3200	12.5×30	I7	0.013	0.033	3795	12.5×35	I8	0.012	0.031	4120
6800	16×20	J5	0.015	0.038	3575	16×20	J5	0.015	0.038	3575	16×25	J6	0.013	0.035	3810
8200	16×25	J6	0.013	0.035	3810	12.5×35	I8	0.012	0.031	4120	—	—	—	—	—
						16×25	J6	0.013	0.035	3810	—	—	—	—	—
						—	—	—	—	—	—	—	—	—	—

Rated voltage(V) Item Rated capacitance (μF)	25					35					50				
	Case φDxL (mm)	Casing symbol	Impedance (Ω max.)		Rated ripple current (mAmps)	Case φDxL (mm)	Casing symbol	Impedance (Ω max.)		Rated ripple current (mAmps)	Case φDxL (mm)	Casing symbol	Impedance (Ω max.)		Rated ripple current (mAmps)
			20°C	-10°C				20°C	-10°C				20°C	-10°C	
27	—	—	—	—	—	—	—	—	—	—	5×11.5	E3	0.34	1.18	238
39	5×11.5	E3	0.22	0.80	345	5×11.5	E3	0.22	0.80	345	6.3×11.5	F3	0.14	0.50	385
47	—	—	—	—	—	5×11.5	E3	0.22	0.80	345	—	—	—	—	—
56	5×11.5	E3	0.22	0.80	345	—	—	—	—	—	6.3×11.5	F3	0.14	0.50	385
68	5×11.5	E3	0.22	0.80	345	—	—	—	—	—	—	—	—	—	—
82	5×11.5	E3	0.22	0.80	345	6.3×11.5	F3	0.094	0.35	540	—	—	—	—	—
100	6.3×11.5	F3	0.094	0.35	540	6.3×11.5	F3	0.094	0.35	540	8×12	G3	0.074	0.22	724
120	6.3×11.5	F3	0.094	0.35	540	—	—	—	—	—	8×15	G4	0.061	0.18	950
150	6.3×11.5	F3	0.094	0.35	540	—	—	—	—	—	10×12.5	H3	0.061	0.18	1250
180	—	—	—	—	—	—	—	—	—	—	—	—	—	—	—
220	—	—	—	—	—	8×12	G3	0.056	0.19	945	8×20	G5	0.046	0.14	1190
270	—	—	—	—	—	8×15	G4	0.045	0.15	1250	10×16	H4	0.042	0.12	1650
330	8×12	G3	0.056	0.19	945	10×12.5	H3	0.039	0.14	1560	10×20	H5	0.030	0.090	2060
390	8×15	G4	0.045	0.15	1250	10×16	H4	0.028	0.10	2000	10×25	H6	0.028	0.084	2420
470	10×12.5	H3	0.039	0.14	1560	10×20	H5	0.020	0.060	2500	12.5×20	I5	0.027	0.068	2300
560	8×20	G5	0.029	0.11	1500	10×25	H6	0.017	0.051	2900	12.5×25	I6	0.023	0.059	2800
680	10×16	H4	0.028	0.10	2000	12.5×30	I7	0.021	0.052	3500	12.5×30	I7	0.021	0.052	3500
820	10×20	H5	0.020	0.060	2500	—	—	—	—	—	12.5×35	I8	0.019	0.051	3810
1000	10×25	H6	0.017	0.051	2900	12.5×20	I5	0.017	0.043	2600	16×20	J5	0.023	0.059	3070
1200	—	—	—	—	—	12.5×25	I6	0.015	0.038	3200	16×25	J6	0.021	0.056	3270
1500	12.5×20	I5	0.017	0.043	2600	12.5×25	I6	0.015	0.038	3200	—	—	—	—	—
1800	12.5×25	I6	0.015	0.038	3200	12.5×30	I7	0.013	0.033	3795	—	—	—	—	—
2200	12.5×30	I7	0.013	0.033	3795	16×20	J5	0.015	0.038	3575	—	—	—	—	—
2700	16×20	J5	0.015	0.038	3575	16×25	J6	0.013	0.035	3810	—	—	—	—	—
3300	12.5×35	I8	0.012	0.031	4120	—	—	—	—	—	—	—	—	—	—
	16×25	J6	0.013	0.035	3810	—	—	—	—	—	—	—	—	—	—

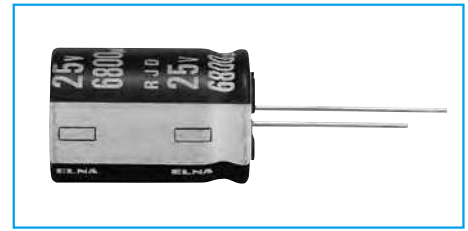
(Note) Rated ripple current : 105°C, 100kHz ; Impedance : 100kHz

NOTE : Design, Specifications are subject to change without notice.
It is recommended that you shall obtain technical specifications from ELNA to ensure that the component is suitable for your use.

105°C Use, miniature, High-Reliability, Low ESR Capacitors

GREEN CAP Low ESR 105°C 8000hours Anti-cleaning solvent

- Smaller and higher ripple current than RJB series.
- Guarantees 8000 hours at 105°C.
($\phi 5$ to 6.3 : 2000 hours; $\phi 8$: 3000 hours; $\phi 10$: 5000 hours)



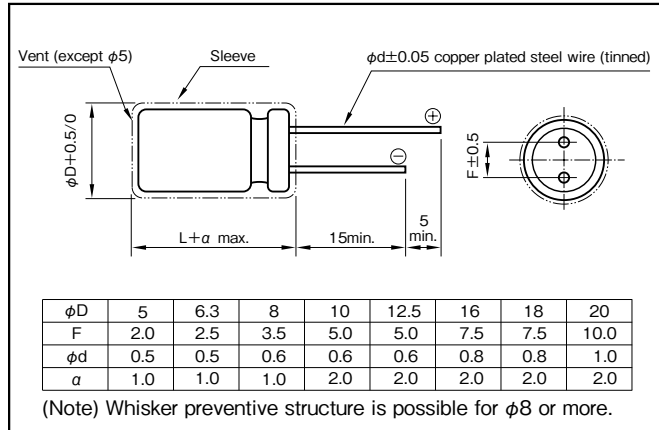
Marking color : White print on a black sleeve

Specifications

Item	Performance																																								
Category temperature range (°C)	-55 to +105																																								
Tolerance at rated capacitance (%)	± 20 (20°C, 120Hz)																																								
Leakage current (μA) (max.)	0.01 CV or 3 whichever is larger (after 2 minutes) C : Rated capacitance (μF), V : Rated voltage (V) (20°C)																																								
Tangent of loss angle ($\tan\delta$)	<table border="1"> <thead> <tr> <th>Rated voltage (V)</th> <th>6.3</th> <th>10</th> <th>16</th> <th>25</th> <th>35</th> <th>50</th> <th>63</th> <th>80</th> <th>100</th> </tr> </thead> <tbody> <tr> <td>$\tan\delta$ (max.)</td> <td>0.22</td> <td>0.19</td> <td>0.16</td> <td>0.14</td> <td>0.12</td> <td>0.10</td> <td>0.10</td> <td>0.08</td> <td>0.08</td> </tr> </tbody> </table> <p>0.02 is added to every 1000μF increase over 1000μF. (20°C, 120Hz)</p>	Rated voltage (V)	6.3	10	16	25	35	50	63	80	100	$\tan\delta$ (max.)	0.22	0.19	0.16	0.14	0.12	0.10	0.10	0.08	0.08																				
Rated voltage (V)	6.3	10	16	25	35	50	63	80	100																																
$\tan\delta$ (max.)	0.22	0.19	0.16	0.14	0.12	0.10	0.10	0.08	0.08																																
Characteristics at high and low temperature	<table border="1"> <thead> <tr> <th>Rated voltage (V)</th> <th>6.3</th> <th>10</th> <th>16</th> <th>25</th> <th>35</th> <th>50</th> <th>63</th> <th>80</th> <th>100</th> </tr> </thead> <tbody> <tr> <td>Impedance ratio (max.)</td> <td>Z-55°C/Z+20°C</td> <td>3</td> <td>3</td> <td>3</td> <td>3</td> <td>3</td> <td>3</td> <td>3</td> <td>3</td> </tr> </tbody> </table> <p>(120Hz)</p>	Rated voltage (V)	6.3	10	16	25	35	50	63	80	100	Impedance ratio (max.)	Z-55°C/Z+20°C	3	3	3	3	3	3	3	3																				
Rated voltage (V)	6.3	10	16	25	35	50	63	80	100																																
Impedance ratio (max.)	Z-55°C/Z+20°C	3	3	3	3	3	3	3	3																																
Endurance (105°C) (Applied ripple current)	<table border="1"> <thead> <tr> <th>Test time</th> <th>$\phi 5$ & 6.3</th> <th>$\phi 8$</th> <th>$\phi 10$</th> <th>$\phi 12.5$ to $\phi 20$</th> </tr> </thead> <tbody> <tr> <td>Leakage current</td> <td colspan="4">: 2000 hours</td> </tr> <tr> <td>Percentage of capacitance change</td> <td colspan="4">: 3000 hours</td> </tr> <tr> <td>Tangent of the loss angle</td> <td colspan="4">: 5000 hours</td> </tr> <tr> <td></td> <td colspan="4">: 8000 hours</td> </tr> <tr> <td></td> <td colspan="4">The initial specified value or less</td> </tr> <tr> <td></td> <td colspan="4">Within $\pm 20\%$ of initial value</td> </tr> <tr> <td></td> <td colspan="4">200% or less of the initial specified value</td> </tr> </tbody> </table>	Test time	$\phi 5$ & 6.3	$\phi 8$	$\phi 10$	$\phi 12.5$ to $\phi 20$	Leakage current	: 2000 hours				Percentage of capacitance change	: 3000 hours				Tangent of the loss angle	: 5000 hours					: 8000 hours					The initial specified value or less					Within $\pm 20\%$ of initial value					200% or less of the initial specified value			
Test time	$\phi 5$ & 6.3	$\phi 8$	$\phi 10$	$\phi 12.5$ to $\phi 20$																																					
Leakage current	: 2000 hours																																								
Percentage of capacitance change	: 3000 hours																																								
Tangent of the loss angle	: 5000 hours																																								
	: 8000 hours																																								
	The initial specified value or less																																								
	Within $\pm 20\%$ of initial value																																								
	200% or less of the initial specified value																																								
Shelf life (105°C)	Test time : 1000hours ; other items are same as the endurance. Voltage application treatment : According to JIS C5101-4 4.1																																								
Applicable standards	JIS C5101 - 1,- 4 (IEC 60384 - 1,- 4)																																								

Outline Drawing

Unit : mm



Coefficient of Frequency for Rated Ripple Current

Rated Capacitance (μF)	50 · 60	120	300	1k	10k · 100k
56 or less	0.20	0.30	0.50	0.80	1
68 to 330	0.55	0.65	0.75	0.85	1
390 to 1000	0.70	0.75	0.80	0.90	1
1200 to 18000	0.80	0.85	0.90	0.95	1

Part numbering system (example : 6.3V10000 μF)

RJD	—	6	V	103	M	J7	#	—	□
Series code		Rated voltage symbol		Rated capacitance symbol	Capacitance tolerance symbol	Casing symbol			Taping(Forming) symbol

If it is whisker preventive structure, should change "#" into "G".

Standard Ratings

Rated voltage(V) Item Rated capacitance (μF)	6.3					10					16				
	Case φD × L (mm)	Casing symbol	ESR (Ω max.)		Rated ripple current (mA rms)	Case φD × L (mm)	Casing symbol	ESR (Ω max.)		Rated ripple current (mA rms)	Case φD × L (mm)	Casing symbol	ESR (Ω max.)		Rated ripple current (mA rms)
			20°C	-10°C				20°C	-10°C				20°C	-10°C	
22	—	—	—	—	—	—	—	—	—	—	5 × 11.5	E3	0.50	1.0	182
33	—	—	—	—	—	—	—	—	—	—	5 × 11.5	E3	0.50	1.0	182
47	—	—	—	—	—	—	—	—	—	—	5 × 11.5	E3	0.50	1.0	182
82	—	—	—	—	—	—	—	—	—	—	5 × 11.5	E3	0.50	1.0	182
100	—	—	—	—	—	5 × 11.5	E3	0.50	1.0	182	6.3 × 11.5	F3	0.25	0.50	295
150	5 × 11.5	E3	0.50	1.0	182	—	—	—	—	—	6.3 × 11.5	F3	0.25	0.50	295
180	—	—	—	—	—	6.3 × 11.5	F3	0.25	0.50	295	8 × 12	G3	0.117	0.234	567
220	—	—	—	—	—	6.3 × 11.5	F3	0.25	0.50	295	8 × 12	G3	0.117	0.234	567
330	6.3 × 11.5	F3	0.25	0.50	295	8 × 12	G3	0.117	0.234	567	8 × 12	G3	0.117	0.234	567
390	—	—	—	—	—	—	—	—	—	—	8 × 12	G3	0.117	0.234	567
470	8 × 12	G3	0.117	0.234	567	8 × 12	G3	0.117	0.234	567	8 × 15	G4	0.085	0.170	733
											10 × 12.5	H3	0.090	0.180	764
560	8 × 12	G3	0.117	0.234	567	8 × 12	G3	0.117	0.234	567	8 × 20	G5	0.065	0.130	996
680	8 × 12	G3	0.117	0.234	567	—	—	—	—	—	8 × 15	G4	0.085	0.170	733
						—	—	—	—	—	10 × 12.5	H3	0.090	0.180	764
820	—	—	—	—	—	8 × 15	G4	0.085	0.170	733	8 × 20	G5	0.065	0.130	996
						10 × 12.5	H3	0.090	0.180	764	10 × 16	H4	0.068	0.136	1060
1000	8 × 15	G4	0.085	0.170	733	8 × 20	G5	0.065	0.130	996	10 × 16	H4	0.068	0.136	1060
	10 × 12.5	H3	0.090	0.180	764	10 × 12.5	H3	0.090	0.180	764	10 × 20	H5	0.052	0.104	1230
1200	10 × 12.5	H3	0.090	0.180	764	8 × 20	G5	0.065	0.130	996	10 × 20	H5	0.052	0.104	1230
	10 × 16	H4	0.068	0.136	1060	10 × 16	H4	0.068	0.136	1060	10 × 25	H6	0.045	0.090	1450
1500	8 × 20	G5	0.065	0.130	996	10 × 20	H5	0.052	0.104	1230	10 × 25	H6	0.045	0.090	1450
	10 × 16	H4	0.068	0.136	1060	12.5 × 15	I4	0.062	0.124	1210	10 × 30	H7	0.035	0.070	1830
1800	12.5 × 15	I4	0.062	0.124	1210	10 × 20	H5	0.052	0.104	1230	—	—	—	—	—
						10 × 25	H6	0.045	0.090	1450	—	—	—	—	—
2200	10 × 20	H5	0.052	0.104	1230	10 × 25	H6	0.045	0.090	1450	10 × 30	H7	0.035	0.070	1830
	10 × 25	H6	0.045	0.090	1450	12.5 × 20	I5	0.038	0.076	1700	12.5 × 20	I5	0.038	0.076	1700
						16 × 16	J4	0.043	0.086	1700	16 × 16	J4	0.043	0.086	1700
2700	10 × 25	H6	0.045	0.090	1450	10 × 30	H7	0.035	0.070	1830	12.5 × 25	I6	0.030	0.060	1950
						12.5 × 20	I5	0.038	0.076	1700	18 × 16	K4	0.038	0.076	2010
3300	10 × 30	H7	0.035	0.070	1830	12.5 × 25	I6	0.030	0.060	1950	12.5 × 30	I7	0.025	0.050	2330
	12.5 × 20	I5	0.038	0.076	1700	—	—	—	—	—	16 × 20	J5	0.029	0.058	2230
3900	12.5 × 25	I6	0.030	0.060	1950	12.5 × 25	I6	0.030	0.060	1950	12.5 × 35	I8	0.022	0.044	2620
						18 × 16	K4	0.038	0.076	2010	16 × 20	J5	0.029	0.058	2230
4700	12.5 × 25	I6	0.030	0.060	1950	12.5 × 30	I7	0.025	0.050	2330	12.5 × 40	I9	0.017	0.034	3160
	18 × 16	K4	0.038	0.076	2010	16 × 20	J5	0.029	0.058	2230	16 × 25	J6	0.022	0.044	2650
						—	—	—	—	—	18 × 20	K5	0.028	0.056	2500
5600	12.5 × 30	I7	0.025	0.050	2330	12.5 × 35	I8	0.022	0.044	2620	16 × 25	J6	0.022	0.044	2650
	16 × 20	J5	0.029	0.058	2230	—	—	—	—	—	16 × 31.5	J7	0.018	0.036	3210
6800	12.5 × 35	I8	0.022	0.044	2620	12.5 × 40	I9	0.017	0.034	3160	18 × 25	K6	0.020	0.040	3000
						16 × 25	J6	0.022	0.044	2650	—	—	—	—	—
8200	12.5 × 40	I9	0.017	0.034	3160	16 × 31.5	J7	0.018	0.036	3210	18 × 35.5	K8	0.015	0.030	3960
	16 × 25	J6	0.022	0.044	2650	—	—	—	—	—	—	—	—	—	
	18 × 20	K5	0.028	0.056	2500	18 × 25	K6	0.020	0.040	3000	—	—	—	—	—
10000	16 × 31.5	J7	0.018	0.036	3210	16 × 40	J9	0.015	0.030	3880	18 × 40	K9	0.014	0.028	4300
	18 × 25	K6	0.020	0.040	3000	18 × 35.5	K8	0.015	0.030	3960	—	—	—	—	—
12000	18 × 25	K6	0.020	0.040	3000	—	—	—	—	—	—	—	—	—	
15000	18 × 35.5	K8	0.015	0.030	3960	18 × 40	K9	0.014	0.028	4300	—	—	—	—	—
18000	18 × 40	K9	0.014	0.028	4300	—	—	—	—	—	—	—	—	—	—

(Note) Rated ripple current : 105°C , 100kHz ; ESR : 100kHz

NOTE : Design, Specifications are subject to change without notice.
It is recommended that you shall obtain technical specifications from ELNA to ensure that the component is suitable for your use.

Standard Ratings

Rated voltage(V) Item Rated capacitance (μF)	25					35					50				
	Case φD × L (mm)	Casing symbol	ESR (Ω max.)		Rated ripple current (mAmps)	Case φD × L (mm)	Casing symbol	ESR (Ω max.)		Rated ripple current (mAmps)	Case φD × L (mm)	Casing symbol	ESR (Ω max.)		Rated ripple current (mAmps)
			20°C	-10°C				20°C	-10°C				20°C	-10°C	
10	5 × 11.5	E3	0.50	1.0	182	5 × 11.5	E3	0.50	1.0	182	5 × 11.5	E3	0.90	1.8	173
22	5 × 11.5	E3	0.50	1.0	182	5 × 11.5	E3	0.50	1.0	182	5 × 11.5	E3	0.90	1.8	173
27	5 × 11.5	E3	0.50	1.0	182	5 × 11.5	E3	0.50	1.0	182	5 × 11.5	E3	0.90	1.8	173
33	5 × 11.5	E3	0.50	1.0	182	5 × 11.5	E3	0.50	1.0	182	6.3 × 11.5	F3	0.40	0.80	285
47	5 × 11.5	E3	0.50	1.0	182	6.3 × 11.5	F3	0.25	0.50	295	6.3 × 11.5	F3	0.40	0.80	285
56	5 × 11.5	E3	0.50	1.0	182	6.3 × 11.5	F3	0.25	0.50	295	6.3 × 11.5	F3	0.40	0.80	285
82	6.3 × 11.5	F3	0.25	0.50	295	6.3 × 11.5	F3	0.25	0.50	295	8 × 12	G3	0.19	0.38	508
100	6.3 × 11.5	F3	0.25	0.50	295	8 × 12	G3	0.117	0.234	567	8 × 15	G4	0.155	0.31	636
150	8 × 12	G3	0.117	0.234	567	8 × 12	G3	0.117	0.234	567	10 × 12.5	H3	0.17	0.34	628
180	—	—	—	—	—	8 × 12	G3	0.117	0.234	567	10 × 12.5	H3	0.17	0.34	628
220	8 × 12	G3	0.117	0.234	567	8 × 15	G4	0.085	0.170	733	10 × 16	H4	0.119	0.238	850
270	8 × 12	G3	0.117	0.234	567	8 × 15	G4	0.085	0.170	733	10 × 20	H5	0.081	0.162	1120
330	8 × 12	G3	0.117	0.234	567	10 × 12.5	H3	0.090	0.180	764	10 × 20	H5	0.081	0.162	1120
390	10 × 12.5	H3	0.090	0.180	764	8 × 20	G5	0.065	0.130	996	10 × 20	H5	0.081	0.162	1120
470	8 × 15	G4	0.085	0.170	733	10 × 16	H4	0.068	0.136	1060	12.5 × 15	I4	0.09	0.18	1170
560	8 × 15	G4	0.085	0.170	733	8 × 20	G5	0.065	0.130	996	—	—	—	—	—
680	10 × 16	H4	0.068	0.136	1060	10 × 16	H4	0.068	0.136	1060	—	—	—	—	—
820	10 × 20	H5	0.052	0.104	1230	10 × 20	H5	0.052	0.104	1230	12.5 × 20	I5	0.057	0.114	1540
1000	12.5 × 15	I4	0.062	0.124	1210	10 × 20	H5	0.052	0.104	1230	12.5 × 25	I6	0.042	0.084	1910
1200	10 × 25	H6	0.045	0.090	1450	12.5 × 15	I4	0.062	0.124	1210	12.5 × 25	I6	0.042	0.084	1910
1500	12.5 × 20	I5	0.038	0.076	1700	10 × 25	H6	0.045	0.090	1450	18 × 20	K5	0.034	0.068	2420
1800	12.5 × 20	I5	0.038	0.076	1700	12.5 × 20	I5	0.038	0.076	1700	12.5 × 30	I7	0.038	0.076	2290
2200	10 × 30	H7	0.035	0.070	1830	12.5 × 20	I5	0.038	0.076	1700	18 × 20	K5	0.034	0.068	2420
2700	16 × 16	J4	0.043	0.086	1700	12.5 × 25	I6	0.030	0.060	1950	18 × 20	K5	0.034	0.068	2420
3300	12.5 × 25	I6	0.030	0.060	1950	18 × 16	K4	0.038	0.076	2010	16 × 25	J6	0.031	0.062	2450
3900	18 × 16	K4	0.038	0.076	2010	16 × 20	J5	0.029	0.058	2230	18 × 20	K5	0.034	0.068	2420
4700	18 × 16	K4	0.038	0.076	2010	12.5 × 40	I9	0.017	0.034	3160	18 × 25	J6	0.031	0.062	2450
5600	18 × 16	K4	0.038	0.076	2010	16 × 25	J6	0.022	0.044	2650	18 × 25	J6	0.031	0.062	2450
6800	18 × 16	K4	0.038	0.076	2010	16 × 20	J5	0.029	0.058	2230	18 × 20	K5	0.034	0.068	2420
8200	18 × 16	K4	0.038	0.076	2010	18 × 20	K5	0.028	0.056	2500	18 × 25	J6	0.031	0.062	2450
10000	18 × 16	K4	0.038	0.076	2010	18 × 31.5	K7	0.016	0.032	3660	18 × 25	J6	0.031	0.062	2450
						18 × 35.5	K8	0.015	0.030	3960	18 × 25	J6	0.031	0.062	2450
						18 × 40	K9	0.014	0.028	4300	18 × 25	J6	0.031	0.062	2450
						20 × 25	L6	0.019	0.038	3920	18 × 25	J6	0.031	0.062	2450
						18 × 35.5	K8	0.015	0.030	3960	18 × 25	J6	0.031	0.062	2450
						18 × 40	K9	0.014	0.028	4300	18 × 25	J6	0.031	0.062	2450
						20 × 30	L7	0.018	0.036	4270	18 × 25	J6	0.031	0.062	2450
						18 × 40	K9	0.014	0.028	4300	18 × 25	J6	0.031	0.062	2450
						20 × 35.5	L8	0.014	0.028	5250	18 × 25	J6	0.031	0.062	2450
						18 × 40	K9	0.014	0.028	4300	18 × 25	J6	0.031	0.062	2450
						20 × 40	L9	0.013	0.026	5680	18 × 25	J6	0.031	0.062	2450
						18 × 40	K9	0.014	0.028	4300	18 × 25	J6	0.031	0.062	2450
						20 × 40	L9	0.013	0.026	5680	18 × 25	J6	0.031	0.062	2450

Rated voltage(V) Item Rated capacitance (μF)	63					80					100				
	Case φD × L (mm)	Casing symbol	ESR (Ω max.)		Rated ripple current (mAmps)	Case φD × L (mm)	Casing symbol	ESR (Ω max.)		Rated ripple current (mAmps)	Case φD × L (mm)	Casing symbol	ESR (Ω max.)		Rated ripple current (mAmps)
			20°C	-10°C				20°C	-10°C				20°C	-10°C	
10	5 × 11.5	E3	1.1	2.2	162	5 × 11.5	E3	1.9	3.8	123	6.3 × 11.5	F3	1.1	2.2	186
22	6.3 × 11.5	F3	0.54	1.1	265	8 × 12	G3	0.53	1.1	315	8 × 12	G3	0.53	1.1	315
27	6.3 × 11.5	F3	0.54	1.1	265	—	—	—	—	—	—	—	—	—	—
33	6.3 × 11.5	F3	0.54	1.1	265	8 × 12	G3	0.53	1.1	315	8 × 15	G4	0.35	0.70	423
47	8 × 12	G3	0.32	0.64	406	8 × 15	G4	0.35	0.70	423	10 × 12.5	H3	0.47	0.94	392
56	8 × 12	G3	0.32	0.64	406	10 × 12.5	H3	0.47	0.94	392	10 × 16	H4	0.32	0.64	520
82	8 × 20	G5	0.17	0.34	682	10 × 16	H4	0.32	0.64	520	10 × 20	H5	0.25	0.50	640
100	10 × 16	H4	0.17	0.34	710	10 × 20	H5	0.25	0.50	640	10 × 25	H6	0.155	0.31	636
150	10 × 20	H5	0.12	0.24	920	12.5 × 20	I5	0.13	0.26	1010	12.5 × 25	I6	0.11	0.22	1200
180	10 × 25	H6	0.10	0.20	1110	—	—	—	—	—	—	—	—	—	—
220	12.5 × 20	I5	0.075	0.15	1340	12.5 × 25	I6	0.11	0.22	1200	12.5 × 30	I7	0.090	0.18	1450
330	12.5 × 25	I6	0.065	0.13	1730	12.5 × 30	I7	0.090	0.18	1440	16 × 25	J6	0.079	0.16	1650
470	12.5 × 30	I7	0.055	0.11	2110	16 × 31.5	J7	0.059	0.118	2100	16 × 35.5	J8	0.052	0.104	2340
560	16 × 25	J6	0.052	0.104	2180	18 × 25	K6	0.064	0.128	1980	18 × 31.5	K7	0.054	0.108	2350
680	16 × 25	J6	0.052	0.104	2180	16 × 31.5	J7	0.059	0.118	2100	16 × 40	J9	0.045	0.090	2650
820	18 × 25	K6	0.050	0.10	2610	18 × 25	K6	0.064	0.128	1980	18 × 35.5	K8	0.044	0.088	2730
1000	16 × 31.5	J7	0.042	0.084	2710	16 × 35.5	J8	0.052	0.104	2340	16 × 40	J9	0.045	0.090	2650
1500	18 × 25	K6	0.050	0.10	2610	18 × 31.5	K7	0.054	0.108	2350	18 × 35.5	K8	0.044	0.088	2730
1800	18 × 25	K6	0.050	0.10	2610	16 × 40	J9	0.045	0.090	2650	18 × 40	K9	0.039	0.078	3050
						18 × 35.5	K8	0.044	0.088	2730	—	—	—	—	—
						18 × 40	K9	0.039	0.078	3050	—	—	—	—	—

(Note) Rated ripple current : 105°C , 100kHz ; ESR : 100kHz

NOTE : Design, Specifications are subject to change without notice.
It is recommended that you shall obtain technical specifications from ELNA to ensure that the component is suitable for your use.

For SRS AirBag

GREEN CAP

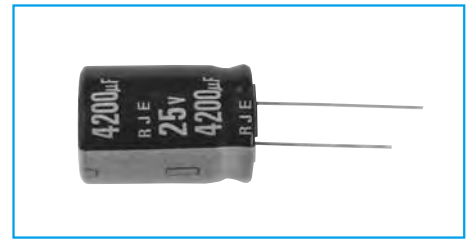
105°C
5000hours

Anti-cleaning solvent

For AirBag

- For SRS AirBag application
- Special tolerance at rated capacitance and high capacitance, and good low temperature behavior.
- Guarantees 5000 hours at 105°C.

For SAS AirBag



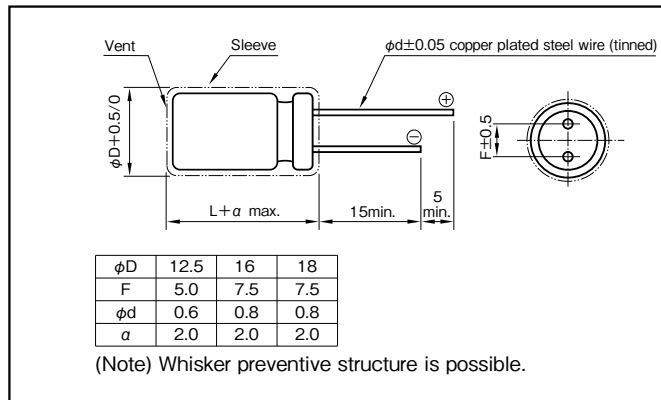
Marking color : White print on a black sleeve

Specifications

Item	Performance								
Category temperature range (°C)	-55 to +105								
Tolerance at rated capacitance (%)	0 to +30 (20°C, 120Hz)								
Leakage current (µA) (max.)	0.01 CV (after 2 minutes) C : Rated capacitance (µF) , V : Rated voltage (V) (20°C)								
Tangent of loss angle (tanδ)	<table border="1"> <tr> <td>Rated voltage (V)</td> <td>25</td> <td>35</td> </tr> <tr> <td>tanδ (max.)</td> <td>0.20</td> <td>0.16</td> </tr> </table> <p>0.02 is added to every 1000µF increase over 1000µF (20°C, 120Hz)</p>	Rated voltage (V)	25	35	tanδ (max.)	0.20	0.16		
Rated voltage (V)	25	35							
tanδ (max.)	0.20	0.16							
Characteristics at high and low temperature	<table border="1"> <tr> <td>Rated voltage (V)</td> <td>25</td> <td>35</td> </tr> <tr> <td>Impedance ratio (max.) Z-55°C/Z+20°C</td> <td>3</td> <td>3</td> </tr> </table> <p>(120Hz)</p>	Rated voltage (V)	25	35	Impedance ratio (max.) Z-55°C/Z+20°C	3	3		
Rated voltage (V)	25	35							
Impedance ratio (max.) Z-55°C/Z+20°C	3	3							
Endurance (105°C)	<table border="1"> <tr> <td>Test time</td> <td>5000 hours</td> </tr> <tr> <td>Leakage current</td> <td>The initial specified value or less</td> </tr> <tr> <td>Percentage of capacitance change</td> <td>Within ±30% of initial value</td> </tr> <tr> <td>Tangent of loss angle</td> <td>300% or less of the initial specified value</td> </tr> </table>	Test time	5000 hours	Leakage current	The initial specified value or less	Percentage of capacitance change	Within ±30% of initial value	Tangent of loss angle	300% or less of the initial specified value
Test time	5000 hours								
Leakage current	The initial specified value or less								
Percentage of capacitance change	Within ±30% of initial value								
Tangent of loss angle	300% or less of the initial specified value								
Shelf life (105°C)	Test time : 1000hours ; other items are same as the endurance. Voltage application treatment : According to JIS C5101-4 4.1								
Applicable standards	JIS C5101 - 1, - 4 (IEC 60384 - 1, - 4)								

Outline Drawing

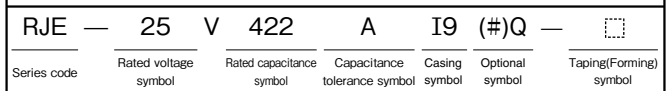
Unit : mm



Coefficient of Frequency for Rated Ripple Current

Frequency (Hz)	50 · 60	120	1k	10k-100k
Rated capacitance (µF)				
830 to 1100	0.70	0.75	0.90	1
1200 to 11000	0.80	0.85	0.95	1

Part numbering system (example : 25V4200µF)



If it is whisker preventive structure, should change “#” into “G”.

Standard Ratings

Case size φD×L (mm)	Item Casing symbol	Rated voltage(V)							
		Rated capacitance (µF)	25		35				
			ESR Ω (max.)		ESR Ω (max.)				
		20°C	-40°C	20°C	-40°C	Rated ripple current (mArms)			
12.5×15	I4	1100	0.174	0.52	1210	830	0.174	0.52	1210
12.5×20	I5	1800	0.107	0.27	1670	1300	0.107	0.27	1670
12.5×25	I6	2400	0.084	0.21	1950	1600	0.084	0.21	1950
12.5×30	I7	3200	0.070	0.18	2330	2200	0.070	0.18	2330
12.5×35	I8	3700	0.062	0.16	2620	2500	0.062	0.16	2620
12.5×40	I9	4200	0.048	0.12	3160	2900	0.048	0.12	3160
16×16	J4	2100	0.121	0.36	1700	1500	0.121	0.36	1700
16×20	J5	3100	0.082	0.21	2230	2100	0.082	0.21	2230
16×25	J6	4300	0.062	0.16	2650	3000	0.062	0.16	2650
16×31.5	J7	5800	0.051	0.13	3210	4000	0.051	0.13	3210
16×35.5	J8	6800	0.045	0.11	3570	4600	0.045	0.11	3570
16×40	J9	7800	0.042	0.11	3880	5300	0.042	0.11	3880
18×16	K4	3000	0.107	0.32	2010	2100	0.107	0.32	2010
18×20	K5	4300	0.079	0.20	2500	3000	0.079	0.20	2500
18×25	K6	6000	0.056	0.14	3000	4200	0.056	0.14	3000
18×31.5	K7	8000	0.045	0.11	3660	5600	0.045	0.11	3660
18×35.5	K8	9300	0.042	0.11	3960	6500	0.042	0.11	3960
18×40	K9	11000	0.040	0.10	4300	7400	0.040	0.10	4300

(Note) Rated ripple current : 105°C, 100kHz ; ESR : 100kHz

NOTE : Design, Specifications are subject to change without notice.
It is recommended that you shall obtain technical specifications from ELNA to ensure that the component is suitable for your use.

For SRS AirBag

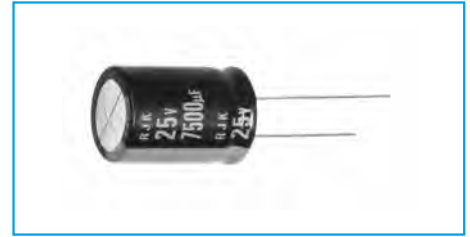
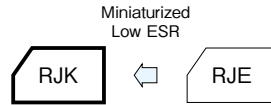
GREEN CAP

**105°C
5000hours**

Anti-cleaning solvent

For AirBag

- For SRS AirBag application
- Special tolerance at rated capacitance and high capacitance, and good low temperature behavior.
- Guarantees 5000 hours at 105°C.



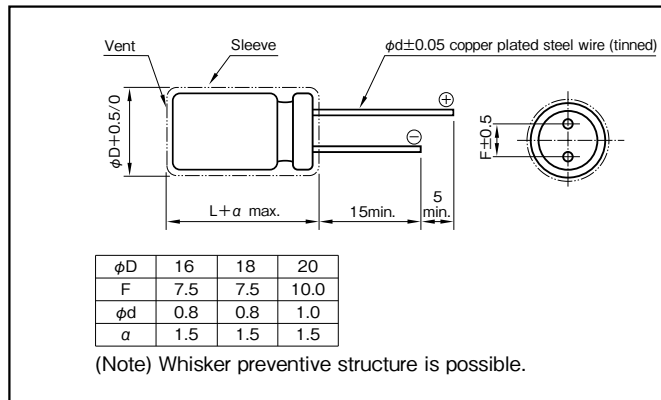
Marking color : White print on a black sleeve

Specifications

Item	Performance		
Category temperature range (°C)	-55 to +105		
Tolerance at rated capacitance (%)	0 to +30 (20°C, 120Hz)		
Leakage current (μA) (max.)	0.01 CV (after 2 minutes) C : Rated capacitance (μF) , V : Rated voltage (V) (20°C)		
Tangent of loss angle (tanδ)	Rated voltage (V)	25	35
	tanδ (max.)	0.20	0.16
0.02 is added to every 1000μF increase over 1000μF (20°C, 120Hz)			
Characteristics at high and low temperature	Rated voltage (V)	25	35
	Impedance ratio (max.) Z-55°C/Z+20°C	3	3
(120Hz)			
Endurance (105°C)	Test time	5000 hours	
	Leakage current	The initial specified value or less	
	Percentage of capacitance change	Within ±30% of initial value	
	Tangent of loss angle	300% or less of the initial specified value	
Shelf life (105°C)	Test time : 1000hours ; other items are same as the endurance. Voltage application treatment : According to JIS C5101-4 4.1		
Applicable standards	JIS C5101 - 1, - 4 (IEC 60384 - 1, - 4)		

Outline Drawing

Unit : mm



Coefficient of Frequency for Rated Ripple Current

Frequency (Hz)	120	1k	10k	100k
Rated voltage (V)				
25, 35	0.80	0.85	0.95	1

Part numbering system (example : 25V4200μF)

RJK	—	25	V	422	A	J5	#Q	—	□
Series code		Rated voltage symbol		Rated capacitance symbol	Capacitance tolerance symbol	Casing symbol	Optional symbol		Taping(Forming) symbol

If it is whisker preventive structure, should change “#” into “G”.

Standard Ratings

Rated voltage (V)		25				35			
Case φD × L (mm)	Item Casing symbol	Rated capacitance (μF)	ESR (Ω max.)		Rated ripple current (mA _{rms})	Rated capacitance (μF)	ESR (Ω max.)		Rated ripple current (mA _{rms})
			20°C	- 40°C			20°C	- 40°C	
			16 × 20	J5			4200	0.033	
18 × 20	K5	5300	0.029	0.082	2500	3100	0.029	0.082	2500
16 × 25	J6	5900	0.024	0.073	2600	3500	0.024	0.073	2600
18 × 25	K6	7500	0.022	0.063	2800	4500	0.022	0.063	2800
16 × 31.5	J7	8000	0.021	0.052	3200	4700	0.021	0.052	3200
18 × 31.5	K7	9500	0.019	0.046	3500	5600	0.019	0.046	3500
16 × 35.5	J8	10000	0.019	0.045	3500	6000	0.019	0.045	3500
18 × 35.5	K8	11000	0.017	0.040	3700	7100	0.017	0.040	3700
16 × 40	J9	11000	0.017	0.040	3800	6600	0.017	0.040	3800
18 × 40	K9	14000	0.015	0.035	4000	8400	0.015	0.035	4000
20 × 40	L9	17000	0.015	0.035	4000	10000	0.015	0.035	4000

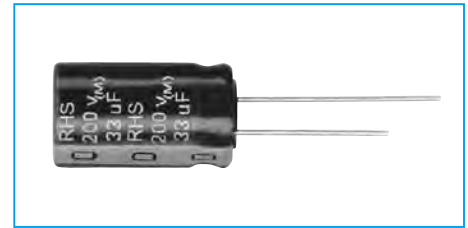
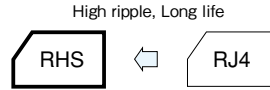
(Note) Rated ripple current : 105°C, 100kHz ; ESR : 100kHz

105°C Use, Miniature, High-Ripple, Long Life Capacitors

GREEN CAP

105°C
5000hours

- Higher ripple current.
- Guarantees 4000 to 5000 hours at 105°C.
- Best-suited to On-Board-Charger for EV, PHEV.



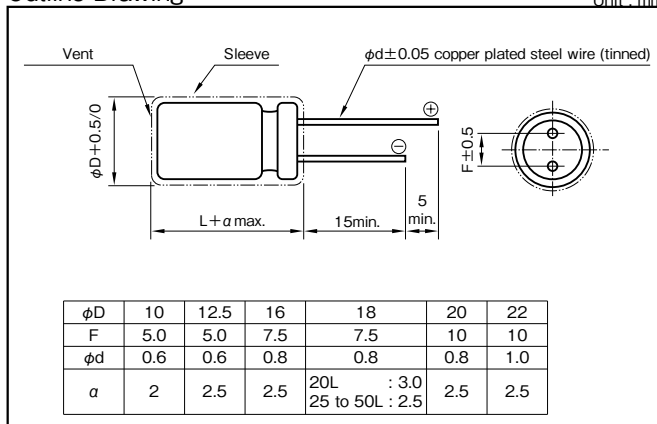
Marking color : White print on a black sleeve

Specifications

Item	Performance											
Category temperature range (°C)	-40 to +105											
Tolerance at rated capacitance (%)	±20 (20°C, 120Hz)											
Leakage current (µA) (max.)	CV ≤ 1000 : 0.06CV + 40 (after 1 minutes) CV > 1000 : 0.03CV + 70 (after 1 minutes) C : Rated capacitance (µF), V : Rated voltage (V) (20°C)											
Tangent of loss angle (tanδ)	<table border="1"> <thead> <tr> <th>Rated voltage (V)</th> <th>160 to 250</th> <th>350 to 400</th> <th>450</th> </tr> </thead> <tbody> <tr> <td>Tangent of loss angle</td> <td>0.12</td> <td>0.15</td> <td>0.20</td> </tr> </tbody> </table> <p>(20°C, 120Hz)</p>	Rated voltage (V)	160 to 250	350 to 400	450	Tangent of loss angle	0.12	0.15	0.20			
Rated voltage (V)	160 to 250	350 to 400	450									
Tangent of loss angle	0.12	0.15	0.20									
Characteristics at high and low temperature	<table border="1"> <thead> <tr> <th rowspan="2">Impedance ratio</th> <th colspan="2">Rated voltage (V)</th> </tr> <tr> <th>160 to 250</th> <th>350 to 450</th> </tr> </thead> <tbody> <tr> <td>Z-25°C/Z+20°C</td> <td>3</td> <td>5</td> </tr> <tr> <td>Z-40°C/Z+20°C</td> <td>4</td> <td>6</td> </tr> </tbody> </table> <p>(120Hz)</p>	Impedance ratio	Rated voltage (V)		160 to 250	350 to 450	Z-25°C/Z+20°C	3	5	Z-40°C/Z+20°C	4	6
Impedance ratio	Rated voltage (V)											
	160 to 250	350 to 450										
Z-25°C/Z+20°C	3	5										
Z-40°C/Z+20°C	4	6										
Endurance (105°C) (Applied ripple current)	<table border="1"> <tbody> <tr> <td>Test time</td> <td>φ10 : 4000 hours φ12.5 to φ22 : 5000 hours</td> </tr> <tr> <td>Leakage current</td> <td>The initial specified value or less</td> </tr> <tr> <td>Capacitance change</td> <td>Within ±20% of initial value</td> </tr> <tr> <td>Tangent of loss angle</td> <td>300% or less of the initial specified value</td> </tr> </tbody> </table>	Test time	φ10 : 4000 hours φ12.5 to φ22 : 5000 hours	Leakage current	The initial specified value or less	Capacitance change	Within ±20% of initial value	Tangent of loss angle	300% or less of the initial specified value			
Test time	φ10 : 4000 hours φ12.5 to φ22 : 5000 hours											
Leakage current	The initial specified value or less											
Capacitance change	Within ±20% of initial value											
Tangent of loss angle	300% or less of the initial specified value											
Shelf life (105°C)	<table border="1"> <tbody> <tr> <td>Test time</td> <td>1000 hours</td> </tr> <tr> <td>Leakage current</td> <td>The initial specified value or less</td> </tr> <tr> <td>Capacitance change</td> <td>Within ±20% of initial value</td> </tr> <tr> <td>Tangent of loss angle</td> <td>200% or less of the initial specified value</td> </tr> </tbody> </table> <p>Voltage application treatment : According to JIS C5101-4 4.1</p>	Test time	1000 hours	Leakage current	The initial specified value or less	Capacitance change	Within ±20% of initial value	Tangent of loss angle	200% or less of the initial specified value			
Test time	1000 hours											
Leakage current	The initial specified value or less											
Capacitance change	Within ±20% of initial value											
Tangent of loss angle	200% or less of the initial specified value											
Applicable Standards	JIS C5101 - 1, - 4 (IEC 60384 - 1, - 4)											

Outline Drawing

Unit : mm



Coefficient of Frequency for Rated Ripple Current

Rated voltage (V)	Rated capacitance (µF)	Frequency (Hz)				
		50 · 60	120	1k	10k	100k
160 to 250	4.7 to 10	0.80	1	1.75	2.00	2.50
	12 to 47	0.80	1	1.60	1.80	2.00
	56 to 560	0.80	1	1.30	1.40	1.40
350 to 450	1 to 10	0.80	1	1.75	2.00	2.50
	12 to 18	0.80	1	1.60	1.80	2.00
	22 or more	0.80	1	1.40	1.50	1.50

Part numbering system (example : 400V10µF)

RHS	—	400	V	100	M	I5	#	B	—	□
Series code		Rated voltage symbol		Rated capacitance symbol	Capacitance tolerance symbol	Casing symbol	Optional symbol			Taping/Forming symbol

NOTE : Design, Specifications are subject to change without notice.
It is recommended that you shall obtain technical specifications from ELNA to ensure that the component is suitable for your use.

Standard Ratings

Rated voltage (V)			160		200		250		350		400		450	
case (mm)			Rated capacitance (μF)	Rated ripple current (mA _{rms})	Rated capacitance (μF)	Rated ripple current (mA _{rms})	Rated capacitance (μF)	Rated ripple current (mA _{rms})	Rated capacitance (μF)	Rated ripple current (mA _{rms})	Rated capacitance (μF)	Rated ripple current (mA _{rms})	Rated capacitance (μF)	Rated ripple current (mA _{rms})
φD	L	Symbol												
10	12.5	H3	22	145	4.7	65	4.7	65	3.3	55	2.2	40	1	30
			27	160					4.7	65			3.3	43
									10	95	8.2	85	4.7	65
10	16	H4	33	170	10	96	-	-	12	120	10	90	8.2	100
			39	185	22	140							10	110
					33	170								
10	20	H5	47	245	-	-	22	170	15	135	15	135	12	120
			56	270					22	160				
10	25	H6	68	315	47	260	33	220	-	-	18	165	15	150
							39	240			22	180	22	180
10	30	H7	100	425	68	350	47	290	27	220	-	-	-	-
									33	250				
12.5	20	I5	68	335	47	280	33	235	27	220	22	200	18	180
			82	370	56	305							47	280
					82	370	68	335						
12.5	25	I6	100	440	82	400	68	365	39	280	27	240	27	240
					100	440			47	320			33	265
12.5	30	I7	150	580	120	520	82	430	56	370	39	310	47	340
					150	580					47	340		
12.5	35	I8	220	750	-	-	100	505	68	450	-	-	-	-
12.5	40	I9	-	-	180	715	120	585	-	-	56	420	-	-
											68	475		
16	20	J5	100	470	47	305	33	250	33	250	22	205	22	205
			120	490	68	393							47	320
					150	580	100	450	68	370	47	300	47	300
16	25	J6	180	660	120	574	100	520	68	420	68	440	47	380
			220	770	150	605	120	540						
16	31.5	J7	270	940	180	765	150	700	82	510	-	-	56	445
					220	845			100	590			68	490
16	35.5	J8	330	965	270	875	180	710	120	680	82	580	-	-
											100	620		
16	40	J9	390	1070	-	-	220	800	150	920	120	720	82	600
													100	660
18	20	K5	180	640	120	530	100	480	56	370	-	-	39	310
					150	620			68	435			47	360
18	25	K6	270	860	180	710	150	645	82	490	-	-	68	470
					220	830			100	570				
18	31.5	K7	330	1060	270	950	180	780	120	690	82	610	82	570
			390	1200			220	910			100	640	100	630
											120	670	120	670
18	35.5	K8	470	1400	330	1180	270	1070	150	820	150	800	120	730
18	40	K9	-	-	390	1350	-	-	180	940	-	-	-	-
18	45	KA	560	1600	470	1270	330	1240	220	1100	180	980	150	880
18	50	KB	680	1900	560	1800	390	1500	-	-	-	-	180	1000
20	40	L9	-	-	-	-	-	-	220	1110	-	-	150	935
20	45	LA	-	-	-	-	-	-	270	1200	-	-	180	1050
20	50	LB	820	2300	-	-	470	1700	-	-	-	-	220	1230
22	40	N9	680	1945	560	1765	390	1475	270	1297	220	1170	180	1065
22	45	NA	820	2235	-	-	470	1695	330	1511	-	-	220	1235
22	50	NB	1000	2575	-	-	560	1930	-	-	-	-	270	1430

(Note) Rated ripple current : 105°C , 120Hz

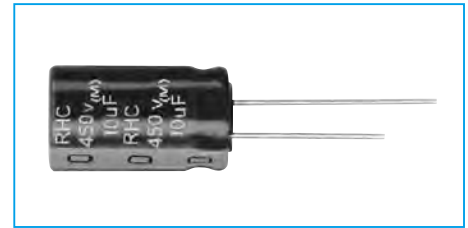
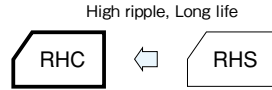
NOTE : Design, Specifications are subject to change without notice.
It is recommended that you shall obtain technical specifications from ELNA to ensure that the component is suitable for your use.

105°C Use, Miniature, High-Ripple, Long Life Capacitors

GREEN
CAP

105°C
10000hours

- Higher ripple current.
- Guarantees 5000 to 10000 hours at 105°C.
- Best-suited On-Board-Charger for EV, PHEV.



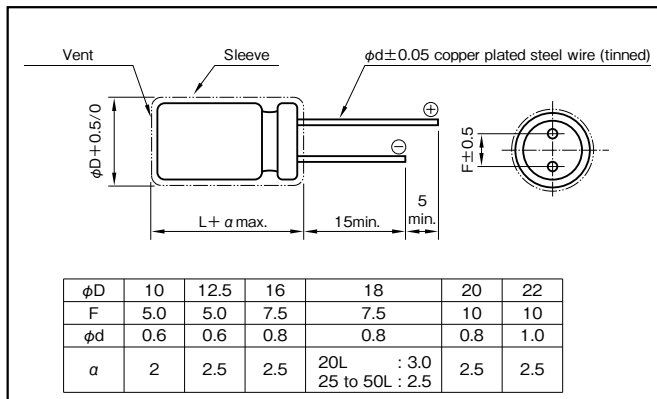
Marking color : White print on a black sleeve

Specifications

Item	Performance										
Category temperature range (°C)	-40 to +105										
Tolerance at rated capacitance (%)	±20 (20°C, 120Hz)										
Leakage current (μA) (max.)	0.04CV + 100 (after 1 minutes) C : Rated capacitance (μF), V : Rated voltage (V) (20°C)										
Tangent of loss angle (tanδ)	<table border="1"> <tr> <td>Rated voltage (V)</td> <td>160 to 250</td> <td>350 to 450</td> </tr> <tr> <td>Tangent of loss angle</td> <td>0.15</td> <td>0.20</td> </tr> </table>	Rated voltage (V)	160 to 250	350 to 450	Tangent of loss angle	0.15	0.20				
	Rated voltage (V)	160 to 250	350 to 450								
Tangent of loss angle	0.15	0.20									
(20°C, 120Hz)											
Characteristics at high and low temperature	<table border="1"> <tr> <td>Rated voltage (V)</td> <td>160 to 250</td> <td>350 to 450</td> </tr> <tr> <td rowspan="2">Impedance ratio (max.)</td> <td>Z-25°C/Z+20°C</td> <td>3</td> <td>5</td> </tr> <tr> <td>Z-40°C/Z+20°C</td> <td>6</td> <td>6</td> </tr> </table>	Rated voltage (V)	160 to 250	350 to 450	Impedance ratio (max.)	Z-25°C/Z+20°C	3	5	Z-40°C/Z+20°C	6	6
	Rated voltage (V)	160 to 250	350 to 450								
Impedance ratio (max.)	Z-25°C/Z+20°C	3	5								
	Z-40°C/Z+20°C	6	6								
(120Hz)											
Endurance (105°C) (Applied ripple current)	<table border="1"> <tr> <td>Test time</td> <td>φ10×12.5L : 5000 hours φ10×16L to 25L : 8000 hours φ10×30L, φ12.5 to φ22 : 10000 hours</td> </tr> <tr> <td>Leakage current</td> <td>The initial specific value or less</td> </tr> <tr> <td>Capacitance change</td> <td>Within ±30% of initial value</td> </tr> <tr> <td>Tangent of loss angle</td> <td>300% or less of the initial specified value</td> </tr> </table>	Test time	φ10×12.5L : 5000 hours φ10×16L to 25L : 8000 hours φ10×30L, φ12.5 to φ22 : 10000 hours	Leakage current	The initial specific value or less	Capacitance change	Within ±30% of initial value	Tangent of loss angle	300% or less of the initial specified value		
	Test time	φ10×12.5L : 5000 hours φ10×16L to 25L : 8000 hours φ10×30L, φ12.5 to φ22 : 10000 hours									
	Leakage current	The initial specific value or less									
	Capacitance change	Within ±30% of initial value									
Tangent of loss angle	300% or less of the initial specified value										
Shelf life (105°C)	<table border="1"> <tr> <td>Test time</td> <td>1000 hours</td> </tr> <tr> <td>Leakage current</td> <td>The initial specific value or less</td> </tr> <tr> <td>Capacitance change</td> <td>Within ±20% of initial value</td> </tr> <tr> <td>Tangent of loss angle</td> <td>200% or less of the initial specified value</td> </tr> </table>	Test time	1000 hours	Leakage current	The initial specific value or less	Capacitance change	Within ±20% of initial value	Tangent of loss angle	200% or less of the initial specified value		
	Test time	1000 hours									
	Leakage current	The initial specific value or less									
	Capacitance change	Within ±20% of initial value									
Tangent of loss angle	200% or less of the initial specified value										
Voltage application treatment : According to JIS C5101-4 4.1											
Applicable standards	JIS C5101 - 1, - 4 (IEC 60384 - 1, - 4)										

Outline Drawing

Unit : mm



Coefficient of Frequency for Rated Ripple Current

Rated capacitance (μF)	Frequency (Hz)			
	120	1k	10k	100k
1 to 5.6	0.20	0.40	0.80	1
6.8 to 18	0.30	0.60	0.90	1
22 to 82	0.40	0.70	0.90	1
100 or more	0.45	0.75	0.90	1

Part numbering system (example : 400V10μF)

RHC	—	400	V	100	M	H5	#	B	—	□
Series code		Rated voltage symbol		Rated capacitance symbol	Capacitance tolerance symbol	Casing symbol	Optional symbol			Taping(Forming) symbol

NOTE : Design, Specifications are subject to change without notice.
It is recommended that you shall obtain technical specifications from ELNA to ensure that the component is suitable for your use.

Standard Ratings

Rated voltage (V)			160		200		250		350		400		450					
case (mm)			Rated capacitance (μF)	Rated ripple current (mA)	Rated capacitance (μF)	Rated ripple current (mA)	Rated capacitance (μF)	Rated ripple current (mA)	Rated capacitance (μF)	Rated ripple current (mA)	Rated capacitance (μF)	Rated ripple current (mA)	Rated capacitance (μF)	Rated ripple current (mA)				
φD	L	Symbol																
10	12.5	H3	-	-	4.7	225	4.7	225	4.7	270	3.3	245	2.2	210				
					10	300	6.8	250	5.6	285			3.3	245				
							8.2	270					3.9	255				
10	16	H4	39	665	6.8	470	10	525	18	675	4.7	450	4.7	400				
					22	570	22	570			6.8	475	6.8	445				
					47	730	27	580			10	500	10	500				
					33	640	27	710			12	595	10	500				
10	20	H5	56	830	47	780	33	700	22	690	15	620	15	620				
			68	895							18	650						
10	25	H6	82	1090	56	945	39	825	-	-	22	765	18	725				
					68	1015	47	885	27	815								
10	30	H7	100	1345	82	1250	56	1080	-	-	33	935	22	835				
12.5	20	I5	100	1495	68	1295	47	1125	33	1040	22	925	18	870				
							56	1200			27	985	22	925				
12.5	25	I6	120	1645	100	1540	68	1330	47	1245	33	1075	27	1055				
			150	1790			82	1430			39	1160						
12.5	30	I7	180	1970	120	1695	100	1590	56	1300	47	1220	33	1095				
													47	1220				
12.5	35	I8	220	2140	150	1865	120	1700	68	1420	56	1320	39	1155				
					180	1985												
12.5	40	I9	270	2580	-	-	150	2090	82	1690	68	1575	56	1465				
16	20	J5	150	1995	68	1485	68	1485	47	1320	22	1055	22	1055				
					100	1710	82	1590			33	1185	27	1120				
					180	2125	120	1830	100	1710	56	1405	47	1320	33	1185	39	1195
							150	2020	120	1855	82	1640	68	1525	47	1330		
16	25	J6	220	2320	180	2155	120	1855	82	1640	68	1525	47	1330				
16	31.5	J7	330	3000	220	2450	150	2135	100	1865	82	1730	56	1500				
					270	2640	180	2280					68	1615				
16	35.5	J8	390	3330	-	-	220	2530	120	2000	100	1875	82	1740				
16	40	J9	470	3775	330	3120	270	2805	150	2300	120	2110	100	1975				
18	20	K5	220	2235	150	1950	120	1790	82	1590	56	1380	47	1295				
					180	2080					68	1485	56	1380				
18	25	K6	330	2725	220	2380	150	2055	100	1840	82	1710	68	1595				
					270	2540	180	2190										
18	31.5	K7	390	2985	330	2865	220	2445	150	2215	100	1905	82	1765				
			470	3185							120	2035	100	1905				
18	35.5	K8	-	-	390	3095	270	2730	180	2450	150	2300	120	2110				
18	40	K9	560	4070	470	3465	330	3085	220	2720	-	-	150	2420				
18	45	KA	680	4140	560	3755	-	-	-	-	180	2655	-	-				
18	50	KB	820	4595	-	-	390	3605	270	3305	220	3065	180	2850				
							470	3840										
20	40	L9	680	3850	560	3735	390	3220	-	-	-	-	-	-				
20	45	LA	820	4435	680	4320	470	3705	270	3190	-	-	180	2750				
20	50	LB	1000	5115	-	-	560	4225	330	3685	270	3425	220	3175				
22	40	N9	820	4270	680	4160	470	3570	270	3070	220	2850	180	2650				
22	45	NA	1000	4945	-	-	560	4085	330	3560	270	3310	220	3070				
22	50	NB	-	-	820	4995	680	4695	-	-	330	3815	270	3550				

(Note) Rated ripple current : 105°C , 100Hz

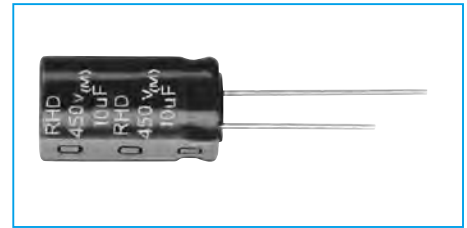
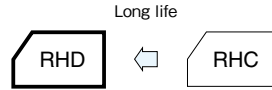
NOTE : Design, Specifications are subject to change without notice.
It is recommended that you shall obtain technical specifications from ELNA to ensure that the component is suitable for your use.

105°C Use, Miniature, High-Ripple, Long Life Capacitors

GREEN
CAP

105°C
12000hours

- Higher ripple current.
- Guarantees 8000 to 12000 hours at 105°C.
- Best-suited to On-Board-Charger for EV, PHEV.



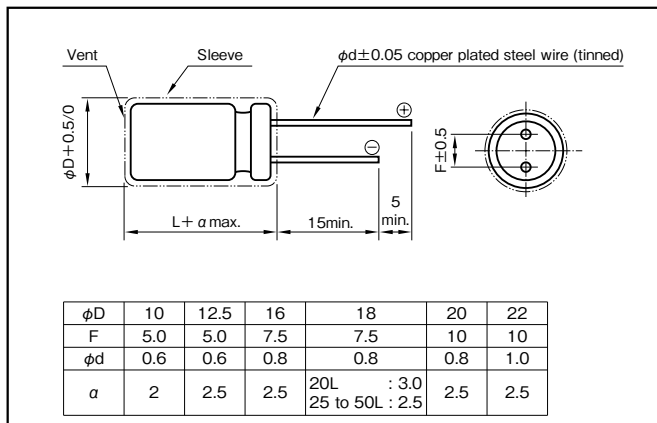
Marking color : White print on a black sleeve

Specifications

Item	Performance			
Category temperature range (°C)	-40 to +105			
Tolerance at rated capacitance (%)	±20 (20°C, 120Hz)			
Leakage current(µA) (max.)	0.04CV + 100 (after 1 minutes) C:Rated capacitance (µF), V:Rated Voltage (V) (20°C)			
Tangent of loss angle (tanδ)	Rated voltage (V)	160 to 250	350 to 450	
	Tangent of loss angle	0.15	0.20	
Characteristics at high and low temperature	Rated voltage (V)	160 to 250	350 to 450	
	Impedance ratio (max.)	Z-25°C/Z+20°C	3	5
		Z-40°C/Z+20°C	6	6
Endurance (105°C) (Applied ripple current)	Test time	φ10×12.5L : 8000hours φ10×16L to 25L : 10000hours φ10×30L, φ12.5 to φ22 : 12000hours		
	Leakage current	The initial specified value or less		
	Capacitance change	Within ±30% of initial value		
	Tangent of loss angle	300% or less of the initial specified value		
Shelf life (105°C)	Test time	1000hours		
	Leakage current	The initial specified value or less		
	Capacitance change	Within ±20% of initial value		
	Tangent of loss angle	200% or less of the initial specified value		
Applicable Standards	JIS C5101 - 1, - 4 (IEC 60384 - 1, - 4)			

Outline Drawing

Unit : mm



Coefficient of Frequency for Rated Ripple Current

Rated capacitance (µF)	120	1k	10k	100k
1 to 5.6	0.20	0.40	0.80	1
6.8 to 18	0.30	0.60	0.90	1
22 to 82	0.40	0.70	0.90	1
100 or more	0.45	0.75	0.90	1

Part numbering system (example : 400V47µF)

RHD	—	400	V	470	M	K6	#	B	—	□
Series code		Rated voltage symbol		Rated capacitance symbol	Capacitance tolerance symbol	Casing symbol		Optional symbol		Taping(Forming) symbol

NOTE : Design, Specifications are subject to change without notice.
It is recommended that you shall obtain technical specifications from ELNA to ensure that the component is suitable for your use.

Standard Ratings

Rated voltage (V)			160		200		250		350		400		450	
case (mm)			Rated capacitance (μF)	Rated ripple current (mA _{rms})	Rated capacitance (μF)	Rated ripple current (mA _{rms})	Rated capacitance (μF)	Rated ripple current (mA _{rms})	Rated capacitance (μF)	Rated ripple current (mA _{rms})	Rated capacitance (μF)	Rated ripple current (mA _{rms})	Rated capacitance (μF)	Rated ripple current (mA _{rms})
φD	L	Symbol												
10	12.5	H3	22	360	10	300	6.8	250	4.7	270	3.3	245	3.3	245
			27	380	12	340	8.2	270	5.6	285	4.7	270	3.9	255
			33	405	22	360	10	300	6.8	305	6.8	305	4.7	270
10	16	H4	39	665	15	595	22	570	10	565	10	500	6.8	445
			47	730	27	580			12	595	12	595	10	500
						33	640	33	700	15	620	15	620	12
10	20	H5	56	830	39	725	33	700	22	690	18	650	15	620
			68	895	47	780			27	815	22	765	18	725
10	25	H6	82	1090	56	945	39	825	27	815	27	815	18	725
			68	1015	68	1015	47	885			27	815	27	815
10	30	H7	100	1345	82	1250	56	1080	33	935	33	935	22	835
12.5	20	I5	100	1495	68	1295	47	1125	27	985	22	925	18	870
					82	1385	56	1200	33	1040	27	985	22	925
12.5	25	I6	120	1645	100	1540	68	1330	39	1160	33	1075	27	1055
			150	1790			82	1430	47	1245	39	1160		
12.5	30	I7	180	1970	120	1695	100	1590	56	1300	47	1220	33	1095
													39	1135
													47	1220
12.5	35	I8	220	2140	150	1865	120	1700	68	1420	56	1320	—	—
12.5	40	I9	270	2580	180	2225	150	2090	82	1690	68	1575	56	1465
16	20	J5	100	1710	68	1485	47	1290	33	1185	22	1055	22	1055
			150	1995	82	1590	68	1485	47	1320	33	1185	27	1120
					100	1710	82	1590	56	1405	47	1320	33	1185
			180	2125	120	1830	100	1710	68	1525	56	1420	47	1330
16	25	J6	220	2320	150	2020	120	1855	82	1640	68	1525	47	1330
					180	2155			68	1525	68	1525		
16	31.5	J7	270	2640	220	2450	150	2135	100	1865	82	1730	56	1500
			330	3000	270	2640	180	2280					68	1615
16	35.5	J8	390	3330	—	—	220	2530	120	2000	100	1875	82	1740
16	40	J9	470	3775	330	3120	270	2805	150	2300	120	2110	82	1835
													100	1975
18	20	K5	220	2235	150	1950	120	1790	68	1485	39	1205	47	1295
					180	2080			82	1590	56	1380	56	1380
													68	1485
18	25	K6	270	2540	220	2380	150	2055	100	1840	82	1710	68	1595
			330	2725	270	2540	180	2190						
18	31.5	K7	390	2985	330	2865	220	2445	120	2035	100	1905	82	1765
			470	3185					150	2215	120	2035	100	1905
18	35.5	K8	—	—	390	3095	270	2730	180	2450	150	2300	120	2110
18	40	K9	560	4070	470	3465	330	3085	220	2720	—	—	150	2420
18	45	KA	680	4140	560	3755	—	—	—	—	180	2655	—	—
18	50	KB	820	4595	—	—	390	3605	270	3305	220	3065	180	2850
							470	3840						
20	40	L9	680	3850	560	3735	390	3220	—	—	180	2550	—	—
20	45	LA	820	4435	680	4320	470	3705	270	3190	220	2960	180	2750
20	50	LB	1000	5115	—	—	560	4225	330	3685	—	—	220	3175
22	40	N9	820	4270	680	4160	470	3570	270	3070	220	2850	180	2650
22	45	NA	1000	4945	—	—	560	4085	330	3560	—	—	220	3070
22	50	NB	—	—	820	4995	680	4695	—	—	270	3450	270	3550

(Note) Rated ripple current : 105°C , 100kHz

125°C Use, Miniature, Low ESR Capacitors

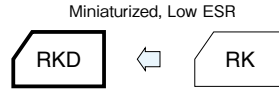
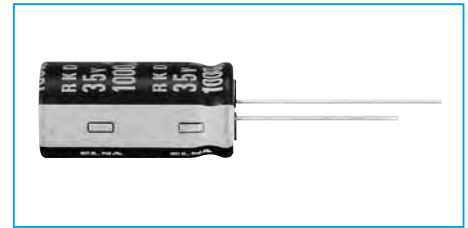
GREEN CAP

Low ESR

125°C 5000hours

Anti-cleaning solvent

- Smaller and low ESR than RK series.
- Guarantees 5000 hours at 125°C (2000 hours: $\phi 8$, 3000h: $\phi 10$) (4000 hours: 63V to 100V - $\phi 16 \times 20L$)



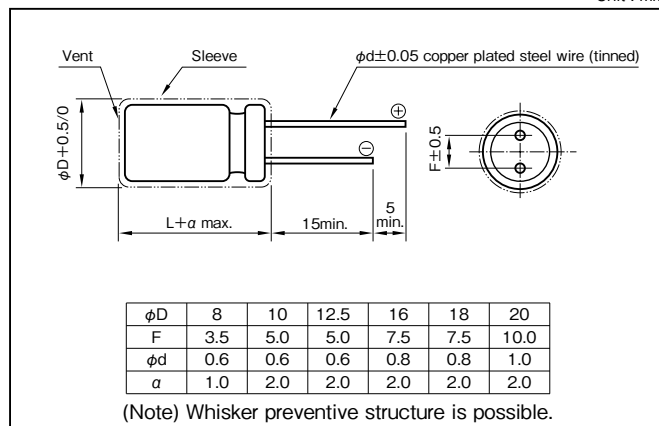
Marking color : White print on a black sleeve

Specifications

Item	Performance																		
Category temperature range (°C)	-40 to +125																		
Tolerance at rated capacitance (%)	±20 (20°C, 120Hz)																		
Leakage current (μA) (max.)	0.01CV or 3 whichever is larger (after 2 minutes) C : Rated capacitance (μF), V : Rated voltage (V) (20°C)																		
Tangent of loss angle (tanδ)	<table border="1"> <thead> <tr> <th>Rated voltage (V)</th> <th>10</th> <th>16</th> <th>25</th> <th>35</th> <th>50</th> <th>63</th> <th>80</th> <th>100</th> </tr> </thead> <tbody> <tr> <td>tanδ (max.)</td> <td>0.20</td> <td>0.16</td> <td>0.14</td> <td>0.12</td> <td>0.10</td> <td>0.10</td> <td>0.08</td> <td>0.08</td> </tr> </tbody> </table> <p>0.02 is added to every 1000μF increase over 1000μF. (20°C, 120Hz)</p>	Rated voltage (V)	10	16	25	35	50	63	80	100	tanδ (max.)	0.20	0.16	0.14	0.12	0.10	0.10	0.08	0.08
Rated voltage (V)	10	16	25	35	50	63	80	100											
tanδ (max.)	0.20	0.16	0.14	0.12	0.10	0.10	0.08	0.08											
Characteristics at high and low temperature	<table border="1"> <thead> <tr> <th>Rated voltage (V)</th> <th>10</th> <th>16</th> <th>25</th> <th>35</th> <th>50</th> <th>63</th> <th>80</th> <th>100</th> </tr> </thead> <tbody> <tr> <td>Impedance ratio (max.)</td> <td>Z-40°C/Z+20°C</td> <td>4</td> <td>3</td> <td>3</td> <td>3</td> <td>3</td> <td>3</td> <td>3</td> </tr> </tbody> </table> <p>(120Hz)</p>	Rated voltage (V)	10	16	25	35	50	63	80	100	Impedance ratio (max.)	Z-40°C/Z+20°C	4	3	3	3	3	3	3
Rated voltage (V)	10	16	25	35	50	63	80	100											
Impedance ratio (max.)	Z-40°C/Z+20°C	4	3	3	3	3	3	3											
Endurance (125°C) (Applied ripple current)	<table border="1"> <tbody> <tr> <td>Test time</td> <td>5000 hours (2000 hours: $\phi 8$, 3000h: $\phi 10$) (4000 hours: 63V to 100V - $\phi 16 \times 20L$)</td> </tr> <tr> <td>Leakage current</td> <td>The initial specified value or less</td> </tr> <tr> <td>Percentage of capacitance change</td> <td>Within ±30% of initial value</td> </tr> <tr> <td>Tangent of the loss angle</td> <td>300% or less of the initial specified value</td> </tr> </tbody> </table>	Test time	5000 hours (2000 hours: $\phi 8$, 3000h: $\phi 10$) (4000 hours: 63V to 100V - $\phi 16 \times 20L$)	Leakage current	The initial specified value or less	Percentage of capacitance change	Within ±30% of initial value	Tangent of the loss angle	300% or less of the initial specified value										
Test time	5000 hours (2000 hours: $\phi 8$, 3000h: $\phi 10$) (4000 hours: 63V to 100V - $\phi 16 \times 20L$)																		
Leakage current	The initial specified value or less																		
Percentage of capacitance change	Within ±30% of initial value																		
Tangent of the loss angle	300% or less of the initial specified value																		
Shelf life (125°C)	Test time : 1000hours ; other items are same as the endurance. Voltage application treatment : According to JIS C5101-4 4.1																		
Applicable standards	JIS C5101 - 1, - 4 (IEC 60384 - 1, - 4)																		

Outline Drawing

Unit : mm



Coefficient of Frequency for Rated Ripple Current

Rated capacitance (μF) \ Frequency (Hz)	50 · 60	120	1k	10k · 100k
100 to 330	0.55	0.65	0.85	1
390 to 1000	0.70	0.75	0.90	1
1200 to 8200	0.80	0.85	0.95	1

Part numbering system (example : 10V1000μF)

RKD	—	10	V	102	M	H5	#	—	□
Series code		Rated voltage symbol		Rated capacitance symbol	Capacitance tolerance symbol	Casing symbol			Taping/Forming symbol

If it is whisker preventive structure, should change “#” into “G”.

Standard Ratings

Rated voltage (V)	Item	10				16				25				35			
		Case φD × L (mm)	Casing symbol	ESR (Ω max.)	Rated ripple current (mA rms)	Case φD × L (mm)	Casing symbol	ESR (Ω max.)	Rated ripple current (mA rms)	Case φD × L (mm)	Casing symbol	ESR (Ω max.)	Rated ripple current (mA rms)	Case φD × L (mm)	Casing symbol	ESR (Ω max.)	Rated ripple current (mA rms)
100	—	—	—	—	8×12	G3	0.153	501	8×12	G3	0.153	501	8×12	G3	0.153	501	
220	8×12	G3	0.153	501	8×12	G3	0.153	501	8×12	G3	0.153	501	10×12.5	H3	0.098	732	
					10×12.5	H3	0.098	732	10×12.5	H3	0.098	732	10×16	H4	0.075	953	
330	8×12	G3	0.153	501	8×12	G3	0.153	501	10×12.5	H3	0.098	732	10×16	H4	0.075	953	
	10×12.5	H3	0.098	732	10×12.5	H3	0.098	732	10×16	H4	0.075	953	10×20	H5	0.057	1140	
470	10×12.5	H3	0.098	732	10×16	H4	0.075	953	10×16	H4	0.075	953	10×20	H5	0.057	1140	
									10×20	H5	0.057	1140	12.5×20	I5	0.040	1820	
									12.5×20	I5	0.040	1820	12.5×25	I6	0.032	2400	
1000	10×20	H5	0.057	1140	12.5×20	I5	0.040	1820	12.5×25	I6	0.032	2400	16×25	J6	0.024	3100	
	12.5×15	I4	0.059	1380	16×16	J4	0.044	1930	16×16	J4	0.044	1930	18×20	K5	0.029	2490	
1200	—	—	—	—	—	—	—	—	12.5×20	I5	0.040	1820	12.5×30	I7	0.029	2560	
													16×20	J5	0.032	2280	
1500	—	—	—	—	—	—	—	—	—	—	—	—	12.5×35	I8	0.023	2970	
													16×31.5	J7	0.020	3160	
													18×25	K6	0.022	3200	
1800	—	—	—	—	—	—	—	—	12.5×25	I6	0.032	2400	12.5×40	I9	0.020	3600	
									16×20	J5	0.032	2280	16×25	J6	0.024	3100	
2200	12.5×25	I6	0.032	2400	12.5×25	I6	0.032	2400	12.5×30	I7	0.029	2560	16×31.5	J7	0.020	3160	
	16×20	J5	0.032	2280	16×25	J6	0.024	3100	16×25	J6	0.024	3100	16×35.5	J8	0.019	3590	
	18×16	K4	0.041	2170	18×20	K5	0.029	2490	18×20	K5	0.029	2490	18×25	K6	0.022	3200	
2700	—	—	—	—	—	—	—	—	12.5×35	I8	0.023	2970	16×35.5	J8	0.019	3590	
									16×25	J6	0.024	3100	18×31.5	K7	0.018	3410	
									18×20	K5	0.029	2490	20×25	L6	0.022	3500	
3300	16×25	J6	0.024	3100	16×31.5	J7	0.020	3160	12.5×40	I9	0.020	3600	16×40	J9	0.017	4300	
	18×20	K5	0.029	2490	18×25	K6	0.022	3200	16×31.5	J7	0.020	3160	18×35.5	K8	0.017	4200	
													20×30	L7	0.019	4000	
3900	—	—	—	—	—	—	—	—	16×35.5	J8	0.019	3590	—	—	—	—	
									18×25	K6	0.022	3200	—	—	—	—	
4700	16×31.5	J7	0.020	3160	16×35.5	J8	0.019	3590	18×35.5	K8	0.017	4200	18×40	K9	0.016	4600	
	18×25	K6	0.022	3200	18×31.5	K7	0.018	3410	20×25	L6	0.022	3500	20×35.5	L8	0.016	4700	
5600	—	—	—	—	—	—	—	—	16×40	J9	0.017	4300	—	—	—	—	
									18×35.5	K8	0.017	4200	20×40	L9	0.015	5100	
									20×30	L7	0.019	4000	—	—	—	—	
6800	—	—	—	—	—	—	—	—	18×40	K9	0.016	4600	—	—	—	—	
									20×35.5	L8	0.016	4700	—	—	—	—	
8200	—	—	—	—	—	—	—	—	20×40	L9	0.015	5100	—	—	—	—	

Rated voltage (V)	Item	50				63				80				100			
		Case φD × L (mm)	Casing symbol	ESR (Ω max.)	Rated ripple current (mA rms)	Case φD × L (mm)	Casing symbol	ESR (Ω max.)	Rated ripple current (mA rms)	Case φD × L (mm)	Casing symbol	ESR (Ω max.)	Rated ripple current (mA rms)	Case φD × L (mm)	Casing symbol	ESR (Ω max.)	Rated ripple current (mA rms)
220	10×20	H5	0.081	960	—	—	—	—	—	—	—	—	16×20	J5	0.22	1100	
330	—	—	—	—	—	—	—	—	16×20	J5	0.19	1200	16×25	J6	0.12	1500	
470	12.5×20	I5	0.057	1500	—	—	—	—	16×25	J6	0.11	1530	16×35.5	J8	0.077	2000	
560	—	—	—	—	—	—	—	—	18×25	K6	0.094	1640	16×40	J9	0.069	2200	
820	12.5×30	I7	0.038	2150	16×31.5	J7	0.08	1910	18×35.5	K8	0.062	2180	18×40	K9	0.059	2330	
1000	16×25	J6	0.031	2620	16×35.5	J8	0.066	2110	18×40	K9	0.051	2470	—	—	—	—	
1800	18×31.5	K7	0.025	3140	18×40	K9	0.051	2470	—	—	—	—	—	—	—	—	
2200	18×35.5	K8	0.022	3510	—	—	—	—	—	—	—	—	—	—	—	—	

(Note) Rated ripple current : 125°C , 100kHz ; ESR : 20°C , 100kHz

NOTE : Design, Specifications are subject to change without notice.
It is recommended that you shall obtain technical specifications from ELNA to ensure that the component is suitable for your use.

135°C Use, Miniature, Low ESR Capacitors

GREEN CAP

Low ESR

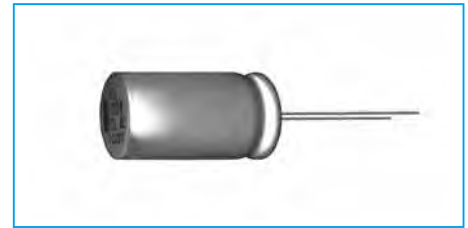
135°C 3000hours

Anti-cleaning solvent

- High temperature guaranteed and low ESR series for automotive.
- Guarantees 3000 hours at 135°C.
($\phi 10$, 63V to 100V : 2000 hours)



High temperature



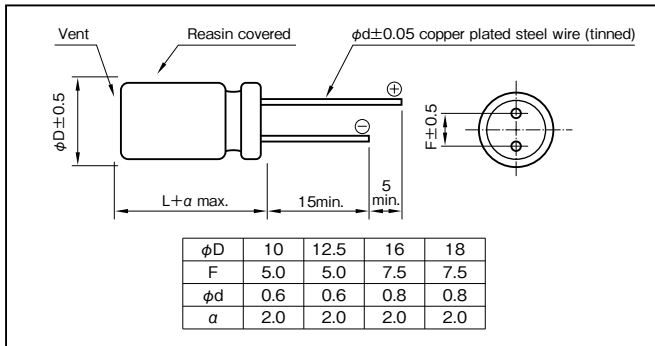
Marking color : Black print

Specifications

Item	Performance
Category temperature range (°C)	-40 to +135
Tolerance at rated capacitance (%)	±20 (20°C, 120Hz)
Leakage current (µA) (max.)	0.01CV or 3 whichever is larger (after 2 minutes) C : Rated capacitance (µF), V : Rated voltage (V) (20°C)
Tangent of loss angle (tanδ)	Rated voltage (V)
	tanδ (max.)
Characteristics at high and low temperature	Rated voltage (V)
	Impedance ratio (max.)
Endurance (135°C) (Applied ripple current)	Test time
	Leakage current
	Percentage of capacitance change
	Tangent of the loss angle
Shelf life (135°C)	Test time : 1000hours ; other items are same as the endurance. Voltage application treatment : According to JIS C5101-4 4.1
Applicable standards	JIS C5101 - 1, - 4 (IEC 60384 - 1, - 4)

Outline Drawing

Unit : mm



Coefficient of Frequency for Rated Ripple Current

Rated capacitance (µF)	Frequency (Hz)			
	50 · 60	120	1k	10k · 100k
220 to 330	0.55	0.65	0.85	1
470 to 1000	0.70	0.75	0.90	1
1200 to 6800	0.80	0.85	0.95	1

Part numbering system (example : 10V1000µF)

RKB	—	10	V	102	M	H5	#	—	□
Series code		Rated voltage symbol		Rated capacitance symbol	Capacitance tolerance symbol	Casing symbol			Taping(Forming) symbol

Standard Ratings

Rated voltage (V)	Item	10				16				25				35			
		Case φD × L (mm)	Casing symbol	ESR (Ω max.)	Rated ripple current (mA _{RMS})	Case φD × L (mm)	Casing symbol	ESR (Ω max.)	Rated ripple current (mA _{RMS})	Case φD × L (mm)	Casing symbol	ESR (Ω max.)	Rated ripple current (mA _{RMS})	Case φD × L (mm)	Casing symbol	ESR (Ω max.)	Rated ripple current (mA _{RMS})
220	—	—	—	—	10×12.5	H3	0.098	725	10×12.5	H3	0.098	725	10×12.5	H3	0.098	725	
													10×16	H4	0.075	951	
330	10×12.5	H3	0.098	725	10×12.5	H3	0.098	725	10×12.5	H3	0.098	725	10×16	H4	0.075	951	
									10×16	H4	0.075	951	10×20	H5	0.057	1130	
470	10×12.5	H3	0.098	725	10×16	H4	0.075	951	10×16	H4	0.075	951	10×20	H5	0.057	1130	
									10×20	H5	0.057	1130	12.5×20	I5	0.040	1550	
1000	10×20	H5	0.057	1130	10×20	H5	0.057	1130	12.5×20	I5	0.040	1550	12.5×25	I6	0.032	1880	
	12.5×15	I4	0.059	1130	12.5×20	I5	0.040	1550	12.5×25	I6	0.032	1880					
1200	—	—	—	—	—	—	—	—	12.5×20	I5	0.040	1550	12.5×30	I7	0.029	2160	
													16×20	J5	0.032	2020	
1500	—	—	—	—	—	—	—	—	—	—	—	—	12.5×35	I8	0.023	2580	
1800	—	—	—	—	—	—	—	—	12.5×25	I6	0.032	1880	12.5×40	I9	0.020	2920	
									16×20	J5	0.032	2020	16×25	J6	0.024	2550	
2200	12.5×25	I6	0.032	1880	12.5×25	I6	0.032	1880	12.5×30	I7	0.029	2160	16×31.5	J7	0.020	3040	
	16×20	J5	0.032	2020	16×25	J6	0.024	2550	16×25	J6	0.024	2550	16×35.5	J8	0.019	3280	
2700	—	—	—	—	—	—	—	—	12.5×35	I8	0.023	2580	16×35.5	J8	0.019	3280	
									16×25	J6	0.024	2550	18×31.5	K7	0.018	3410	
3300	16×25	J6	0.024	2550	16×31.5	J7	0.020	3040	12.5×40	I9	0.020	2920	16×40	J9	0.017	3630	
	18×20	K5	0.029	2320	18×25	K6	0.022	2880	16×31.5	J7	0.020	3040	18×35.5	K8	0.017	3710	
4700	16×31.5	J7	0.020	3040	16×35.5	J8	0.019	3280	16×35.5	J8	0.019	3280	18×40	K9	0.016	4000	
	18×25	K6	0.022	2880	18×31.5	K7	0.018	3410	18×31.5	K7	0.018	3410					
5600	—	—	—	—	—	—	—	—	16×40	J9	0.017	3630	—	—	—	—	
6800	—	—	—	—	—	—	—	—	18×40	K9	0.016	4000	—	—	—	—	

Rated voltage (V)	Item	50				63				80				100			
		Case φD × L (mm)	Casing symbol	ESR (Ω max.)	Rated ripple current (mA _{RMS})	Case φD × L (mm)	Casing symbol	ESR (Ω max.)	Rated ripple current (mA _{RMS})	Case φD × L (mm)	Casing symbol	ESR (Ω max.)	Rated ripple current (mA _{RMS})	Case φD × L (mm)	Casing symbol	ESR (Ω max.)	Rated ripple current (mA _{RMS})
220	10×20	H5	0.081	930	—	—	—	—	—	—	—	—	16×20	J5	0.22	1010	
330	—	—	—	—	—	—	—	—	16×20	J5	0.19	1100	16×25	J6	0.12	1220	
470	12.5×20	I5	0.057	1170	16×20	J5	0.19	1100	16×25	J6	0.11	1370	16×35.5	J8	0.077	1860	
560	—	—	—	—	—	—	—	—	18×25	K6	0.094	1450	16×40	J9	0.069	2100	
820	12.5×30	I7	0.038	1680	16×31.5	J7	0.080	1790	18×35.5	K8	0.062	2100	18×40	K9	0.059	2290	
1000	16×25	J6	0.031	1710	16×35.5	J8	0.066	2010	18×40	K9	0.051	2350	—	—	—	—	
1800	18×35.5	K7	0.025	2670	18×40	K9	0.051	2350	—	—	—	—	—	—	—	—	
2200	18×35.5	K8	0.022	2900	—	—	—	—	—	—	—	—	—	—	—	—	

(Note) Rated ripple current : 135°C , 100kHz ; ESR : 20°C , 100kHz

NOTE : Design, Specifications are subject to change without notice.
It is recommended that you shall obtain technical specifications from ELNA to ensure that the component is suitable for your use.

135°C Use, High CV, Low ESR Capacitors

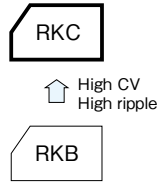
GREEN CAP

Low ESR

135°C 3000hours

Anti-cleaning solvent

- High temperature guaranteed for automotive.
- Guaranteed 3000 hours at 135°C. (63V to 100V : 2000 hours)
- High CV, high ripple current.
- For ECU of Direct injection engine, ESP etc.



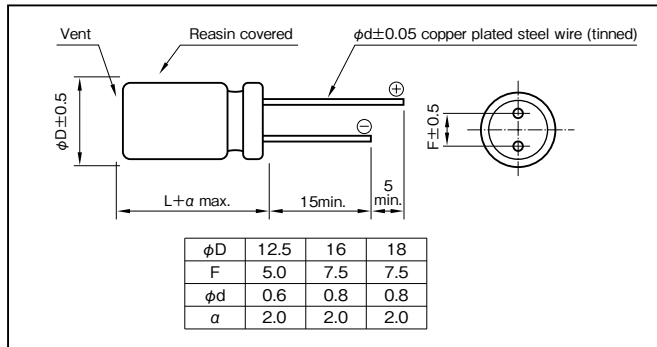
Marking color : Black print

Specifications

Item	Performance														
Category temperature range (°C)	-40 to +135														
Tolerance at rated capacitance (%)	±20 (20°C, 120Hz)														
Leakage current (µA) (max.)	0.01CV or 3 whichever is larger (after 2 minutes) C : Rated capacitance (µF), V : Rated voltage (V) (20°C)														
Tangent of loss angle (tanδ)	<table border="1"> <thead> <tr> <th>Rated voltage (V)</th> <th>25</th> <th>35</th> <th>50</th> <th>63</th> <th>80</th> <th>100</th> </tr> </thead> <tbody> <tr> <td>tanδ (max.)</td> <td>0.14</td> <td>0.12</td> <td>0.10</td> <td>0.10</td> <td>0.08</td> <td>0.08</td> </tr> </tbody> </table>	Rated voltage (V)	25	35	50	63	80	100	tanδ (max.)	0.14	0.12	0.10	0.10	0.08	0.08
	Rated voltage (V)	25	35	50	63	80	100								
tanδ (max.)	0.14	0.12	0.10	0.10	0.08	0.08									
0.02 is added to every 1000µF increase over 1000µF. (20°C, 120Hz)															
Characteristics at high and low temperature	<table border="1"> <thead> <tr> <th>Rated voltage (V)</th> <th>25</th> <th>35</th> <th>50</th> <th>63</th> <th>80</th> <th>100</th> </tr> </thead> <tbody> <tr> <td>Impedance ratio (max.) Z-40°C/Z+20°C</td> <td>3</td> <td>3</td> <td>3</td> <td>3</td> <td>3</td> <td>3</td> </tr> </tbody> </table>	Rated voltage (V)	25	35	50	63	80	100	Impedance ratio (max.) Z-40°C/Z+20°C	3	3	3	3	3	3
	Rated voltage (V)	25	35	50	63	80	100								
Impedance ratio (max.) Z-40°C/Z+20°C	3	3	3	3	3	3									
(120Hz)															
Endurance 1 (135°C) (Applied ripple current)	Test time	3000 hours (63V to 100V : 2000 hours)													
	Leakage current	The initial specified value or less													
	Percentage of capacitance change	Within ±30% of initial value													
	Tangent of the loss angle	300% or less of the initial specified value													
Endurance 2 (135°C) (Applied ripple current)	Test time	3000 hours (63V to 100V : 2000 hours)													
	Leakage current	The initial specified value or less													
	Percentage of capacitance change	Within ±30% of initial value													
	Tangent of the loss angle	300% or less of the initial specified value													
Shelf life (135°C)	Test time : 1000hours ; other items are same as the endurance. Voltage application treatment : According to JIS C5101-4 4.1														
Applicable standards	JIS C5101 - 1, - 4 (IEC 60384 - 1, - 4)														

Outline Drawing

Unit : mm



Coefficient of Frequency for Rated Ripple Current

Rated capacitance (µF) \ Frequency (Hz)	50 · 60	120	1k	10k · 100k
160 to 360	0.55	0.65	0.85	1
390 to 1000	0.70	0.75	0.90	1
1100 to 12000	0.80	0.85	0.95	1

Part numbering system (example : 25V2000µF)

RKC	—	25	V	202	M	I5	#	—	□
Series code		Rated voltage symbol		Rated capacitance symbol	Capacitance tolerance symbol	Casing symbol			Taping(Forming) symbol

Standard Ratings

Rated voltage [V]	Item	25						35						50					
		Case φD × L (mm)	Casing symbol	ESR (Ω max. / 100kHz)		Rated ripple current (mA rms / 100kHz)		Case φD × L (mm)	Casing symbol	ESR (Ω max. / 100kHz)		Rated ripple current (mA rms / 100kHz)		Case φD × L (mm)	Casing symbol	ESR (Ω max. / 100kHz)		Rated ripple current (mA rms / 100kHz)	
				20°C	-40°C	135°C	125°C			20°C	-40°C	135°C	125°C			20°C	-40°C	135°C	125°C
620	—	—	—	—	—	—	—	—	—	—	—	—	12.5 × 20	I5	0.073	0.88	1470	2400	
820	—	—	—	—	—	—	—	—	—	—	—	—	12.5 × 25	I6	0.058	0.67	2260	3350	
1000	—	—	—	—	—	—	—	—	—	—	—	—	16 × 20	J5	0.050	0.55	1870	2960	
1100	—	—	—	—	—	—	—	—	—	—	—	—	12.5 × 30	I7	0.048	0.52	2520	4220	
1300	—	—	—	—	—	—	12.5 × 20	I5	0.042	0.48	1690	2760	12.5 × 35	I8	0.042	0.44	2780	4810	
													16 × 25	J6	0.042	0.44	2500	4040	
													18 × 20	K5	0.042	0.44	2110	3130	
1600	—	—	—	—	—	—	—	—	—	—	—	—	12.5 × 40	I9	0.037	0.36	3020	5240	
													16 × 31.5	J7	0.035	0.36	2960	5130	
1800	—	—	—	—	—	—	12.5 × 25	I6	0.033	0.30	2010	3480	18 × 25	K6	0.033	0.32	2530	4230	
2000	12.5 × 20	I5	0.042	0.48	1690	2760	16 × 20	J5	0.035	0.27	2160	3040	—	—	—	—	—	—	
2200	—	—	—	—	—	—	12.5 × 30	I7	0.028	0.24	2900	4490	16 × 35.5	J8	0.029	0.27	3160	5480	
2400	—	—	—	—	—	—	18 × 20	K5	0.034	0.22	2320	3250	18 × 31.5	K7	0.028	0.25	3020	5240	
2700	—	—	—	—	—	—	12.5 × 35	I8	0.025	0.21	3190	5140	16 × 40	J9	0.025	0.22	3420	5930	
3000	12.5 × 25	I6	0.033	0.30	2010	3480	16 × 25	J6	0.028	0.22	2870	4260	18 × 35.5	K8	0.024	0.20	3390	5870	
3300	16 × 20	J5	0.035	0.27	2160	3040	12.5 × 40	I9	0.024	0.19	3470	5810	—	—	—	—	—	—	
3600	12.5 × 30	I7	0.028	0.24	2900	4490	16 × 31.5	J7	0.023	0.18	3400	5480	18 × 40	K9	0.023	0.16	3700	6420	
3900	—	—	—	—	—	—	18 × 25	K6	0.027	0.19	2900	4500	—	—	—	—	—	—	
4300	18 × 20	K5	0.034	0.22	2320	3250	16 × 35.5	J8	0.020	0.14	3630	6070	—	—	—	—	—	—	
4700	12.5 × 35	I8	0.025	0.21	3190	5140	18 × 31.5	K7	0.022	0.16	3470	5600	—	—	—	—	—	—	
	16 × 25	J6	0.028	0.22	2870	4260													
5100	12.5 × 40	I9	0.024	0.19	3470	5810	—	—	—	—	—	—	—	—	—	—	—	—	
5600	16 × 31.5	J7	0.023	0.18	3400	5480	16 × 40	J9	0.019	0.12	3930	6810	—	—	—	—	—	—	
6200	—	—	—	—	—	—	18 × 35.5	K8	0.019	0.12	3750	6280	—	—	—	—	—	—	
7500	16 × 35.5	J8	0.020	0.14	3630	6070	18 × 40	K9	0.018	0.10	4080	7070	—	—	—	—	—	—	
	18 × 31.5	K7	0.022	0.16	3470	5600													
9100	16 × 40	J9	0.019	0.12	3930	6810	—	—	—	—	—	—	—	—	—	—	—	—	
10000	18 × 35.5	K8	0.019	0.12	3750	6280	—	—	—	—	—	—	—	—	—	—	—	—	
12000	18 × 40	K9	0.018	0.10	4080	7070	—	—	—	—	—	—	—	—	—	—	—	—	

Rated voltage [V]	Item	63						80						100					
		Case φD × L (mm)	Casing symbol	ESR (Ω max. / 100kHz)		Rated ripple current (mA rms / 100kHz)		Case φD × L (mm)	Casing symbol	ESR (Ω max. / 100kHz)		Rated ripple current (mA rms / 100kHz)		Case φD × L (mm)	Casing symbol	ESR (Ω max. / 100kHz)		Rated ripple current (mA rms / 100kHz)	
				20°C	-40°C	135°C	125°C			20°C	-40°C	135°C	125°C			20°C	-40°C	135°C	125°C
160	—	—	—	—	—	—	—	—	—	—	—	—	12.5 × 20	I5	0.090	0.75	1410	1580	
220	—	—	—	—	—	—	—	—	—	—	—	—	12.5 × 25	I6	0.068	0.55	1960	2140	
270	—	—	—	—	—	—	12.5 × 20	I5	0.072	0.56	1420	1640	16 × 20	J5	0.067	0.47	1670	2050	
300	—	—	—	—	—	—	—	—	—	—	—	—	12.5 × 30	I7	0.052	0.41	2330	2950	
360	—	—	—	—	—	—	—	—	—	—	—	—	12.5 × 35	I8	0.045	0.35	2630	3530	
													18 × 20	K5	0.061	0.35	1860	2270	
390	12.5 × 20	I5	0.072	0.56	1420	1640	12.5 × 25	I6	0.052	0.39	2050	2520	16 × 25	J6	0.048	0.33	2360	2790	
430	—	—	—	—	—	—	—	—	—	—	—	—	12.5 × 40	I9	0.038	0.29	2920	4140	
470	—	—	—	—	—	—	16 × 20	J5	0.053	0.34	1910	2140	16 × 31.5	J7	0.041	0.27	2720	3440	
510	—	—	—	—	—	—	12.5 × 30	I7	0.042	0.30	2630	3110	18 × 25	K6	0.045	0.25	2470	2920	
560	12.5 × 25	I6	0.052	0.39	2050	2520	—	—	—	—	—	—	16 × 35.5	J8	0.036	0.23	2960	4190	
620	—	—	—	—	—	—	12.5 × 35	I8	0.035	0.25	2970	3760	18 × 31.5	K7	0.037	0.2	2920	3920	
							18 × 20	K5	0.044	0.26	2100	2350							
680	16 × 20	J5	0.053	0.34	1910	2140	16 × 25	J6	0.038	0.23	2680	2940	—	—	—	—	—	—	
750	12.5 × 30	I7	0.042	0.30	2630	3110	12.5 × 40	I9	0.031	0.22	3260	4610	16 × 40	J9	0.028	0.18	3380	5020	
							16 × 31.5	J7	0.034	0.20	3050	3860							
820	—	—	—	—	—	—	18 × 25	K6	0.033	0.19	2810	3080	18 × 35.5	K8	0.030	0.16	3330	4710	
910	12.5 × 35	I8	0.035	0.25	2970	3760	—	—	—	—	—	—	18 × 40	K9	0.026	0.14	3560	5280	
	18 × 20	K5	0.044	0.26	2100	2350													
1000	16 × 25	J6	0.038	0.23	2680	2940	16 × 35.5	J8	0.027	0.15	3420	4590	—	—	—	—	—	—	
1100	12.5 × 40	I9	0.031	0.22	3260	4610	18 × 31.5	K7	0.028	0.15	3220	4080	—	—	—	—	—	—	
1200	16 × 31.5	J7	0.034	0.20	3050	3860	—	—	—	—	—	—	—	—	—	—	—	—	
1300	18 × 25	K6	0.033	0.19	2810	3080	16 × 40	J9	0.025	0.14	3670	5190	—	—	—	—	—	—	
							18 × 35.5	K8	0.022	0.12	3690	5220							
1600	16 × 35.5	J8	0.027	0.15	3420	4590	18 × 40	K9	0.021	0.11	3820	5660	—	—	—	—	—	—	
	18 × 31.5	K7	0.028	0.15	3220	4080													
1800	16 × 40	J9	0.025	0.14	3670	5190	—	—	—	—	—	—	—	—	—	—	—	—	
2200	18 × 35.5	K8	0.022	0.12	3690	5220	—	—	—	—	—	—	—	—	—	—	—	—	
2400	18 × 40	K9	0.021	0.11	3820	5660	—	—	—	—	—	—	—	—	—	—	—	—	

NOTE : Design, Specifications are subject to change without notice.
It is recommended that you shall obtain technical specifications from ELNA to ensure that the component is suitable for your use.

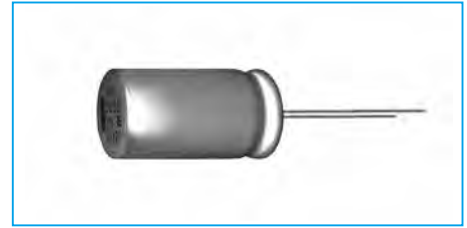
150°C Miniature Capacitors

GREEN CAP Low Impedance 150°C 1000hours Anti-cleaning solvent

- 150°C, High temperature guaranteed.
- Guarantees 1000 hours at 150°C.



High temperature



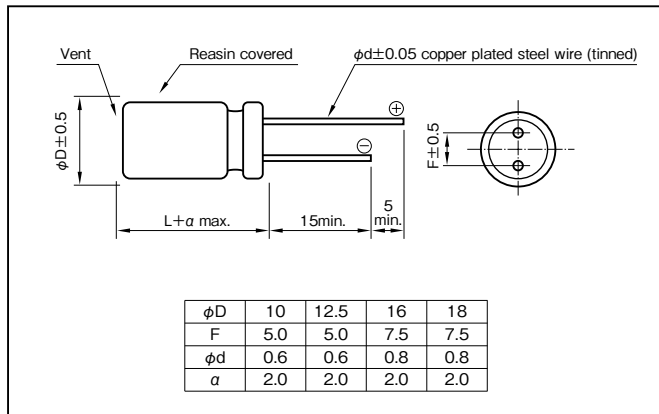
Marking color : Black print

Specifications

Item	Performance														
Category temperature range (°C)	-40 to +150														
Tolerance at rated capacitance (%)	±20 (20°C, 120Hz)														
Leakage current (µA) (max.)	0.01CV or 3 whichever is larger (after 2 minutes) C : Rated capacitance (µF), V : Rated voltage (V) (20°C)														
Tangent of loss angle (tanδ)	<table border="1"> <tr> <td>Rated voltage (V)</td> <td>10</td> <td>16</td> <td>25</td> <td>35</td> <td>50</td> <td>63</td> </tr> <tr> <td>tanδ (max.)</td> <td>0.20</td> <td>0.16</td> <td>0.14</td> <td>0.12</td> <td>0.10</td> <td>0.10</td> </tr> </table>	Rated voltage (V)	10	16	25	35	50	63	tanδ (max.)	0.20	0.16	0.14	0.12	0.10	0.10
	Rated voltage (V)	10	16	25	35	50	63								
tanδ (max.)	0.20	0.16	0.14	0.12	0.10	0.10									
0.02 is added to every 1000µF increase over 1000µF. (20°C, 120Hz)															
Characteristics at high and low temperature	<table border="1"> <tr> <td>Rated voltage (V)</td> <td>10</td> <td>16</td> <td>25</td> <td>35</td> <td>50</td> <td>63</td> </tr> <tr> <td>Impedance ratio (max.)</td> <td>Z-40°C/Z+20°C</td> <td>4</td> <td>3</td> <td>3</td> <td>3</td> <td>3</td> </tr> </table>	Rated voltage (V)	10	16	25	35	50	63	Impedance ratio (max.)	Z-40°C/Z+20°C	4	3	3	3	3
	Rated voltage (V)	10	16	25	35	50	63								
Impedance ratio (max.)	Z-40°C/Z+20°C	4	3	3	3	3									
(120Hz)															
Endurance (150°C) (Applied ripple current)	Test time	1000 hours													
	Leakage current	The initial specified value or less													
	Percentage of capacitance change	Within ±30% of initial value													
	Tangent of the loss angle	300% or less of the initial specified value													
Shelf life (150°C)	Test time : 1000hours ; other items are same as the endurance. Voltage application treatment : According to JIS C5101-4 4.1														
Applicable standards	JIS C5101 - 1, - 4 (IEC 60384 - 1, - 4)														

Outline Drawing

Unit : mm



Coefficient of Frequency for Rated Ripple Current

Rated capacitance (µF)	50 · 60	120	1k	10k · 100k
220 to 330	0.55	0.65	0.85	1
470 to 1000	0.70	0.75	0.90	1
1500 to 4700	0.80	0.85	0.95	1

Part numbering system (example : 35V1000µF)

RQA	—	35	V	102	M	I 6	#	—	□
Series code		Rated voltage symbol		Rated capacitance symbol	Capacitance tolerance symbol	Casing symbol			Taping(Forming) symbol

Standard Ratings

Rated voltage (V) / Rated capacitance (µF)	10			16			25			35		
	Case φD×L (mm)	Casing symbol	Rated ripple current (mArms)	Case φD×L (mm)	Casing symbol	Rated ripple current (mArms)	Case φD×L (mm)	Casing symbol	Rated ripple current (mArms)	Case φD×L (mm)	Casing symbol	Rated ripple current (mArms)
220	—	—	—	—	—	—	10×14.5	H3	300	10×14.5	H3	300
330	—	—	—	—	—	—	10×18	H4	510	10×18	H4	510
470	—	—	—	10×18	H4	510	10×22	H5	820	10×22	H5	820
1000	10×22	H5	820	10×22	H5	820	12.5×26	I6	1000	12.5×26	I6	1000
2200	12.5×26	I6	1000	12.5×26	I6	1000	16×26.5	J6	1200	16×33	J7	1370
3300	16×26.5	J6	1200	16×33	J7	1370	16×37	J8	1720	18×34	K7	1670
4700	16×33	J7	1370	16×37	J8	1720	18×38	K8	1790	18×42.5	K9	1870

Rated voltage (V) / Rated capacitance (µF)	50			63		
	Case φD×L (mm)	Casing symbol	Rated ripple current (mArms)	Case φD×L (mm)	Casing symbol	Rated ripple current (mArms)
470	12.5×21	I5	1070	16×26.5	J6	750
1000	16×33	J7	1250	18×34	K7	1200
1500	18×34	K7	1500	18×42.5	K9	1550
2200	18×38	K8	1700	—	—	—

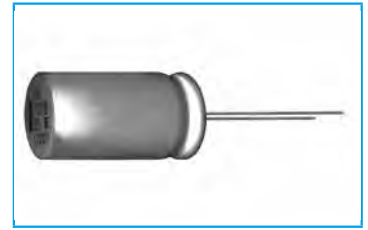
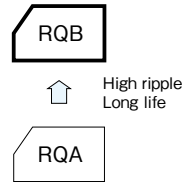
(Note) Rated ripple current : 150°C , 100kHz

NOTE : Design, Specifications are subject to change without notice. It is recommended that you shall obtain technical specifications from ELNA to ensure that the component is suitable for your use.

150°C Miniature Capacitors

GREEN CAP **LOW ESR** **150°C 2000hours** **Anti-cleaning solvent**

- 150°C, High temperature guaranteed.
- Guaranteed 2000 hours at 150°C. (63V to 80V : 1000 hours)

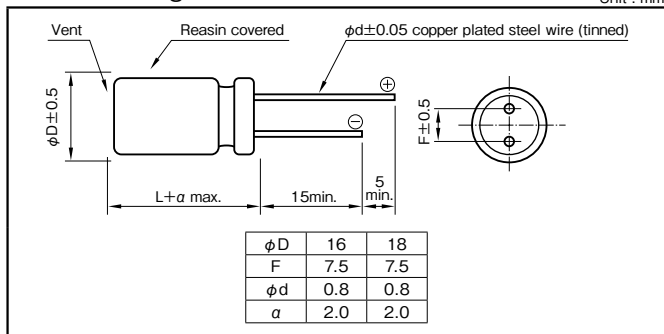


Marking color : Black print

Specifications

Item	Performance				
Category temperature range (°C)	- 40 to + 150				
Tolerance at rated capacitance (%)	± 20 (20°C, 120Hz)				
Leakage current (µA) (max.)	0.01CV or 3 whichever is larger (after 2 minutes) C : Rated capacitance (µF) ; V: Rated voltage (V) (20°C)				
Tangent of loss angle (tan δ)	Rated voltage (V)	35	50	63	80
	tan δ (max.)	0.12	0.10	0.10	0.08
0.02 is added to every 1000µF increase over 1000µF (20°C, 120Hz)					
Characteristics at high and low temperature	Rated voltage (V)	35	50	63	80
	Impedance ratio (max.) Z - 40°C / Z + 20°C	3	3	3	3
(120Hz)					
Endurance (105°C) (Applied ripple current)	Test time	2000 hours (63V to 80V : 1000 hours)			
	Leakage current	The initial specified value or less			
	Percentage of capacitance change	Within ± 30% of initial value			
	Tangent of the loss angle	300% or less of the initial specified value			
Shelf life (150°C)	Test time : 1000hours ; other items are same as the endurance. Voltage application treatment : According to JIS C5101-4 4.1				
Applicable standards	JIS C5101-1, -4 (IEC 60384-1, -4)				

Outline Drawing



Coefficient of Frequency for Rated Ripple Current

Rated capacitance (µF)	Frequency (Hz)			
	120	1k	10k	100k
320	0.65	0.85	1.00	1
420 to 940	0.75	0.90	1.00	1
1300 to 4700	0.85	0.95	1.00	1

Part numbering system (example : 35V2200µF)

RQB	—	35	V	222	M	J6	#	—	□
Series code		Rated voltage symbol		Rated capacitance symbol	Capacitance tolerance symbol	Casing symbol			Taping (Forming) symbol

Standard Ratings

Case size φD×L (mm)	Casing symbol	Rated voltage (V)	Item	35			50			63					
				Rated capacitance (µF)	ESR (Ω max.)		Rated ripple current (mArms)	Rated capacitance (µF)	ESR (Ω max.)		Rated ripple current (mArms)	Rated capacitance (µF)	ESR (Ω max.)		Rated ripple current (mArms)
					20°C	- 40°C			20°C	- 40°C			20°C	- 40°C	
16 × 26.5	J6	2200	0.038	0.380	1800	1300	0.040	0.400	1800	520	0.083	0.830	1200		
16 × 33	J7	2700	0.032	0.320	2200	1800	0.038	0.380	2200	680	0.068	0.680	1500		
16 × 37	J8	3000	0.030	0.300	2600	2000	0.032	0.320	2600	800	0.054	0.540	1800		
16 × 41.5	J9	3600	0.027	0.270	3000	2400	0.029	0.290	3000	910	0.044	0.440	2100		
18 × 27.5	K6	2400	0.036	0.360	2200	1800	0.034	0.340	2200	720	0.068	0.680	1400		
18 × 34	K7	3300	0.028	0.280	2800	2400	0.030	0.300	2700	940	0.049	0.490	1700		
18 × 42.5	K9	4700	0.023	0.230	3600	3000	0.023	0.230	3700	1300	0.033	0.330	2300		

Case size φD×L (mm)	Casing symbol	Rated voltage (V)	Item	80			
				Rated capacitance (µF)	ESR (Ω max.)		Rated ripple current (mArms)
					20°C	- 40°C	
16 × 26.5	J6	320	0.083	0.830	1200		
16 × 33	J7	420	0.068	0.680	1500		
16 × 37	J8	500	0.054	0.540	1800		
16 × 41.5	J9	560	0.044	0.440	2100		
18 × 27.5	K6	420	0.068	0.680	1400		
18 × 34	K7	560	0.049	0.490	1700		
18 × 42.5	K9	880	0.033	0.330	2300		

(Note) Rated ripple current : 150°C, 100kHz ; ESR : 100kHz

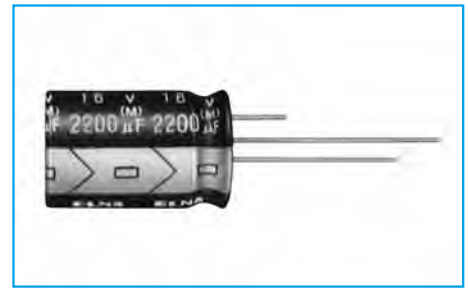
NOTE : Design, Specifications are subject to change without notice.
It is recommended that you shall obtain technical specifications from ELNA to ensure that the component is suitable for your use.

**For Vibration, Resistance,
Miniature Aluminum Electrolytic Capacitors**

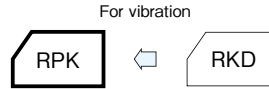
125°C Use, Long Life Capacitors

- GREEN CAP
- Vibration Resistance
- Low ESR
- 125°C 5000hours
- Anti-cleaning solvent

- Guarantees 5000 hours at 125°C. (4000 hours: 63V to 100V - φ16x20L)
- Best-suited to smoothing circuits and control circuits for industrial equipment power supplies of which long life and high reliability are required.
- NC terminal added items are lineup for vibration resistance. (30G guaranteed : 20mL or less)



Marking color : White print on a black sleeve

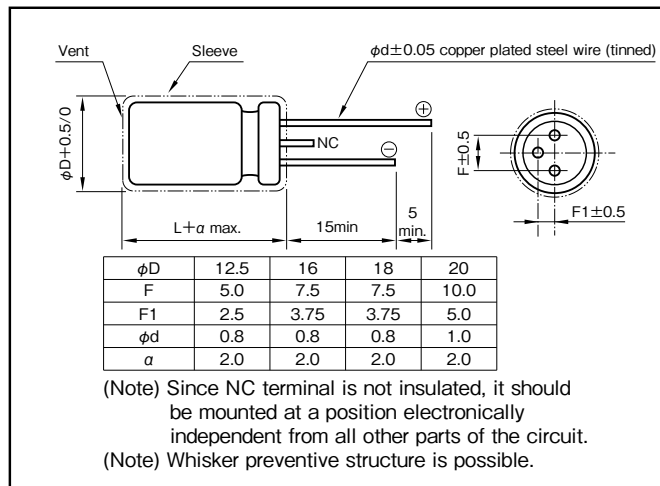


Specifications

Item	Performance																		
Category temperature range (°C)	-40 to +125																		
Tolerance at rated capacitance (%)	±20 (20°C, 120Hz)																		
Leakage current (µA) (max.)	0.01CV or 3 whichever is larger (after 2 minutes) C : Rated capacitance (µF), V : Rated voltage (V) (20°C)																		
Tangent of loss angle (tanδ)	<table border="1" style="width: 100%; text-align: center;"> <thead> <tr> <th>Rated voltage (V)</th> <th>10</th> <th>16</th> <th>25</th> <th>35</th> <th>50</th> <th>63</th> <th>80</th> <th>100</th> </tr> </thead> <tbody> <tr> <td>tanδ (max.)</td> <td>0.20</td> <td>0.16</td> <td>0.14</td> <td>0.12</td> <td>0.10</td> <td>0.10</td> <td>0.08</td> <td>0.08</td> </tr> </tbody> </table> <p>0.02 is added to every 1000µF increase over 1000µF. (20°C, 120Hz)</p>	Rated voltage (V)	10	16	25	35	50	63	80	100	tanδ (max.)	0.20	0.16	0.14	0.12	0.10	0.10	0.08	0.08
Rated voltage (V)	10	16	25	35	50	63	80	100											
tanδ (max.)	0.20	0.16	0.14	0.12	0.10	0.10	0.08	0.08											
Characteristics at high and low temperature	<table border="1" style="width: 100%; text-align: center;"> <thead> <tr> <th>Rated voltage (V)</th> <th>10</th> <th>16</th> <th>25</th> <th>35</th> <th>50</th> <th>63</th> <th>80</th> <th>100</th> </tr> </thead> <tbody> <tr> <td>Impedance ratio (max.) Z-40°C/Z+20°C</td> <td>4</td> <td>3</td> <td>3</td> <td>3</td> <td>3</td> <td>3</td> <td>3</td> <td>3</td> </tr> </tbody> </table> <p>(120Hz)</p>	Rated voltage (V)	10	16	25	35	50	63	80	100	Impedance ratio (max.) Z-40°C/Z+20°C	4	3	3	3	3	3	3	3
Rated voltage (V)	10	16	25	35	50	63	80	100											
Impedance ratio (max.) Z-40°C/Z+20°C	4	3	3	3	3	3	3	3											
Endurance (125°C) (Applied ripple current)	<table border="1" style="width: 100%;"> <tbody> <tr> <td>Test time</td> <td>5000 hours (4000 hours: 63V to 100V - φ16x20L)</td> </tr> <tr> <td>Leakage current</td> <td>The initial specified value or less</td> </tr> <tr> <td>Percentage of capacitance change</td> <td>Within ±30% of initial value</td> </tr> <tr> <td>Tangent of the loss angle</td> <td>300% or less of the initial specified value</td> </tr> </tbody> </table>	Test time	5000 hours (4000 hours: 63V to 100V - φ16x20L)	Leakage current	The initial specified value or less	Percentage of capacitance change	Within ±30% of initial value	Tangent of the loss angle	300% or less of the initial specified value										
Test time	5000 hours (4000 hours: 63V to 100V - φ16x20L)																		
Leakage current	The initial specified value or less																		
Percentage of capacitance change	Within ±30% of initial value																		
Tangent of the loss angle	300% or less of the initial specified value																		
Shelf life (125°C)	Test time : 1000hours ; other items are same as the endurance. Voltage application treatment : According to JIS C5101-4 4.1																		
Applicable standards	JIS C5101 - 1, - 4 (IEC 60384 - 1, - 4)																		

Outline Drawing

Unit : mm



Coefficient of Frequency for Rated Ripple Current

Rated capacitance (µF) \ Frequency (Hz)	50 · 60	120	1k	10k · 100k
220 to 330	0.55	0.65	0.85	1
390 to 1000	0.70	0.75	0.90	1
1200 to 8200	0.80	0.85	0.95	1

Part numbering system (example : 16V2200µF)

RPK	—	16	V	222	M	J6	D#	—	□
Series code		Rated voltage symbol		Rated capacitance symbol	Capacitance tolerance symbol	Casing symbol			Taping(Forming) symbol

If it is whisker preventive structure, should change " #" into "G".

Standard Ratings

Rated voltage (V)	Item	10				16				25				35										
		Case φD × L (mm)	Casing symbol	ESR (Ω max.)	Rated ripple current (mA rms)	Case φD × L (mm)	Casing symbol	ESR (Ω max.)	Rated ripple current (mA rms)	Case φD × L (mm)	Casing symbol	ESR (Ω max.)	Rated ripple current (mA rms)	Case φD × L (mm)	Casing symbol	ESR (Ω max.)	Rated ripple current (mA rms)							
470	—	—	—	—	—	—	—	—	—	—	—	—	—	—	—	—	—							
1000	12.5×15	I4	0.059	1380	12.5×20	I5	0.040	1820	12.5×20	I5	0.040	1820	12.5×25	I6	0.032	2400	12.5×25	I6	0.032	2400				
					16×16	J4	0.044	1930	16×16	J4	0.044	1930	16×25	J6	0.024	3100	16×25	J6	0.024	3100				
					—	—	—	—	18×20	K5	0.029	2490	18×20	K5	0.029	2490	18×20	K5	0.029	2490				
1200	—	—	—	—	—	—	—	—	12.5×20	I5	0.040	1820	12.5×30	I7	0.029	2560	16×20	J5	0.032	2280				
1500	—	—	—	—	—	—	—	—	—	—	—	—	12.5×35	I8	0.023	2970	16×31.5	J7	0.020	3160				
													18×25	K6	0.022	3200	18×25	K6	0.022	3200	18×25	K6	0.022	3200
													—	—	—	—	—	—	—	—	—	—	—	—
1800	—	—	—	—	—	—	—	—	12.5×25	I6	0.032	2400	12.5×40	I9	0.020	3600	16×25	J6	0.024	3100				
									16×20	J5	0.032	2280	16×25	J6	0.024	3100	16×25	J6	0.024	3100				
2200	12.5×25	I6	0.032	2400	12.5×25	I6	0.032	2400	12.5×30	I7	0.029	2560	16×31.5	J7	0.020	3160	16×25	J6	0.024	3100				
	16×20	J5	0.032	2280	16×25	J6	0.024	3100	16×25	J6	0.024	3100	16×35.5	J8	0.019	3590	16×35.5	J8	0.019	3590				
	18×16	K4	0.041	2170	18×20	K5	0.029	2490	18×20	K5	0.029	2490	18×25	K6	0.022	3200	18×25	K6	0.022	3200				
2700	—	—	—	—	—	—	—	—	12.5×35	I8	0.023	2970	16×35.5	J8	0.019	3590	16×35.5	J8	0.019	3590				
									16×25	J6	0.024	3100	18×31.5	K7	0.018	3410	18×31.5	K7	0.018	3410	18×31.5	K7	0.018	3410
									18×20	K5	0.029	2490	20×25	L6	0.022	3500	20×25	L6	0.022	3500	20×25	L6	0.022	3500
3300	16×25	J6	0.024	3100	16×31.5	J7	0.020	3160	12.5×40	I9	0.020	3600	16×40	J9	0.017	4300	16×40	J9	0.017	4300				
	18×20	K5	0.029	2490	18×25	K6	0.022	3200	16×31.5	J7	0.020	3160	18×35.5	K8	0.017	4200	18×35.5	K8	0.017	4200				
	—	—	—	—	—	—	—	—	—	—	—	—	—	—	—	—	—	—	—					
3900	—	—	—	—	—	—	—	—	16×35.5	J8	0.019	3590	—	—	—	—	—	—	—					
									18×25	K6	0.022	3200	—	—	—	—	—	—	—	—	—	—	—	—
4700	16×31.5	J7	0.020	3160	16×35.5	J8	0.019	3590	18×35.5	K8	0.017	4200	18×40	K9	0.016	4600	18×40	K9	0.016	4600				
	18×25	K6	0.022	3200	18×31.5	K7	0.018	3410	20×25	L6	0.022	3500	20×35.5	L8	0.016	4700	20×35.5	L8	0.016	4700				
5600	—	—	—	—	—	—	—	—	16×40	J9	0.017	4300	—	—	—	—	—	—	—					
									18×35.5	K8	0.017	4200	20×40	L9	0.015	5100	20×40	L9	0.015	5100				
									20×30	L7	0.019	4000	—	—	—	—	—	—	—	—	—	—	—	—
6800	—	—	—	—	—	—	—	—	18×40	K9	0.016	4600	—	—	—	—	—	—						
									20×35.5	L8	0.016	4700	—	—	—	—	—	—	—	—	—	—	—	—
8200	—	—	—	—	—	—	—	—	20×40	L9	0.015	5100	—	—	—	—	—	—						

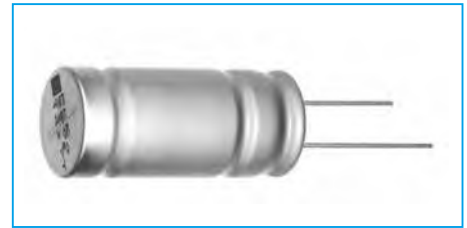
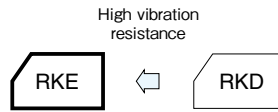
Rated voltage (V)	Item	50				63				80				100						
		Case φD × L (mm)	Casing symbol	ESR (Ω max.)	Rated ripple current (mA rms)	Case φD × L (mm)	Casing symbol	ESR (Ω max.)	Rated ripple current (mA rms)	Case φD × L (mm)	Casing symbol	ESR (Ω max.)	Rated ripple current (mA rms)	Case φD × L (mm)	Casing symbol	ESR (Ω max.)	Rated ripple current (mA rms)			
220	—	—	—	—	—	—	—	—	—	—	—	—	—	—	—	—	—			
330	—	—	—	—	—	—	—	—	—	—	—	—	—	—	—	—	—			
470	12.5×20	I5	0.070	1500	—	—	—	—	16×25	J6	0.116	1500	16×35.5	J8	0.077	2000	16×35.5	J8	0.077	2000
560	—	—	—	—	—	—	—	—	18×25	K6	0.100	1600	16×40	J9	0.069	2200	16×40	J9	0.069	2200
820	12.5×30	I7	0.038	2150	16×31.5	J7	0.080	1910	18×35.5	K8	0.062	2180	18×40	K9	0.059	2330	18×40	K9	0.059	2330
1000	16×25	J6	0.031	2620	16×35.5	J8	0.066	2110	18×40	K9	0.051	2470	—	—	—	—	—	—	—	
1800	18×31.5	K7	0.025	3140	—	—	—	—	—	—	—	—	—	—	—	—	—	—	—	
2200	18×35.5	K8	0.022	3510	—	—	—	—	—	—	—	—	—	—	—	—	—	—	—	

(Note) Rated ripple current : 125°C, 100kHz ; ESR : 20°C, 100kHz

125°C Use, Miniature, Low ESR, High Vibration Resistance Capacitors

GREEN CAP High Vibration Resistance Low ESR 125°C 5000hours Anti-cleaning solvent

- Vibration resistance (40G, 10 to 2000Hz, X, Y, Z = per 2 hours).
- For Automotive application (ABS and electric power steering etc.)
- Guaranteed 5000 hours at 125°C



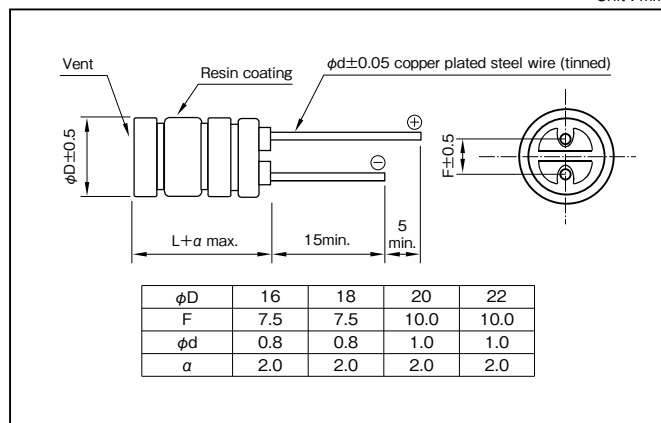
Marking color : Black print

Specifications

Item	Performance								
Category temperature range (°C)	-40 to +125								
Tolerance at rated capacitance (%)	±20 (20°C, 120Hz)								
Leakage current (µA) (max.)	0.01CV or 3 whichever is larger (after 2 minutes) C : Rated capacitance (µF), V : Rated voltage (V) (20°C)								
Tangent of loss angle (tanδ)	<table border="1"> <tr> <td>Rated voltage (V)</td> <td>25</td> <td>35</td> <td>50</td> </tr> <tr> <td>tanδ (max.)</td> <td>0.14</td> <td>0.12</td> <td>0.10</td> </tr> </table>	Rated voltage (V)	25	35	50	tanδ (max.)	0.14	0.12	0.10
	Rated voltage (V)	25	35	50					
tanδ (max.)	0.14	0.12	0.10						
0.02 is added to every 1000µF increase over 1000µF. (20°C, 120Hz)									
Characteristics at high and low temperature	<table border="1"> <tr> <td>Rated voltage (V)</td> <td>25</td> <td>35</td> <td>50</td> </tr> <tr> <td>Impedance ratio (max.)</td> <td>Z-40°C/Z+20°C</td> <td>3</td> <td>3</td> </tr> </table>	Rated voltage (V)	25	35	50	Impedance ratio (max.)	Z-40°C/Z+20°C	3	3
	Rated voltage (V)	25	35	50					
Impedance ratio (max.)	Z-40°C/Z+20°C	3	3						
(120Hz)									
Endurance (125°C) (Applied ripple current)	Test time	5000 hours							
	Leakage current	The initial specified value or less							
	Percentage of capacitance change	Within ±30% of initial value							
	Tangent of the loss angle	300% or less of the initial specified value							
Shelf life (125°C)	Test time : 1000hours ; other items are same as the endurance. Voltage application treatment : According to JIS C5101-4 4.1								
Vibration	Vibration test condition								
	Frequency range	10 to 2000Hz							
	Amplitude or Acceleration	1.5 mm peak to peak or 40G (392m/s ²), whichever is the less severe							
	Sweep rate	0.5 octave/min.							
	Vibration axis and duration	X, Y, Z per 2 hours, total 6 hours							
	Fixation	Capacitor mounted by its body which is rigidly clamped to the work surface.							
Specification after test									
Leakage current	The initial specified value or less								
Percentage of capacitance change	Within ±30% of initial value								
Tangent of the loss angle	300% or less of the initial specified value								
Applicable standards	JIS C5101 - 1, - 4 (IEC 60384 - 1, - 4)								

Outline Drawing

Unit : mm



Coefficient of Frequency for Rated Ripple Current

Rated capacitance (µF)	Frequency (Hz)	120	1k	10k	100k
1200 to 8200		0.85	0.95	1.00	1

Part numbering system (example : 35V2700µF)

RKE	—	35	V	272	M	K7	#	—	□
Series code		Rated voltage symbol		Rated capacitance symbol	Capacitance tolerance symbol	Casing symbol			Forming symbol

NOTE : Design, Specifications are subject to change without notice. It is recommended that you shall obtain technical specifications from ELNA to ensure that the component is suitable for your use.

Standard Ratings

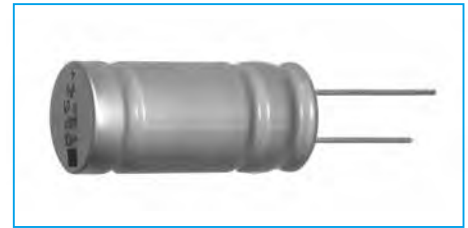
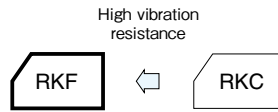
Rated voltage[V] Item Rated capacitance (μ F)	25					35					50				
	Case ϕ D \times L (mm)	Casing symbol	ESR (Ω max.)		Rated ripple current (mArms)	Case ϕ D \times L (mm)	Casing symbol	ESR (Ω max.)		Rated ripple current (mArms)	Case ϕ D \times L (mm)	Casing symbol	ESR (Ω max.)		Rated ripple current (mArms)
			20°C	-40°C				20°C	-40°C				20°C	-40°C	
1200	—	—	—	—	—	—	—	—	—	—	16×31.5	J7	0.048	0.20	2940
1500	—	—	—	—	—	16×31.5	J7	0.024	0.14	3160	16×35.5	J8	0.039	0.16	3300
2200	—	—	—	—	—	16×35.5	J8	0.023	0.13	3590	18×35.5	K8	0.033	0.15	3520
2700	16×31.5	J7	0.024	0.14	3160	18×31.5	K7	0.020	0.11	3410	—	—	—	—	—
3300	16×35.5	J8	0.023	0.13	3590	18×35.5	K8	0.019	0.10	3840	20×40	L9	0.027	0.12	3930
4700	18×31.5	K7	0.020	0.11	3410	18×40	K9	0.017	0.094	4250	—	—	—	—	—
5600	18×35.5	K8	0.019	0.10	3840	20×40	L9	0.017	0.094	4500	—	—	—	—	—
6800	18×40	K9	0.017	0.094	4250	—	—	—	—	—	—	—	—	—	—
7800	20×40	L9	0.017	0.094	4500	—	—	—	—	—	—	—	—	—	—
8200	22×40	N9	0.017	0.094	4750	—	—	—	—	—	—	—	—	—	—

(Note) Rated ripple current : 125°C , 100kHz ; ESR : 100kHz

135°C Use, Miniature, Low ESR, High Vibration Resistance Capacitors

GREEN CAP High Vibration Resistance Low ESR 135°C 3000hours Anti-cleaning solvent

- Vibration resistance (40G, 10 to 2000Hz, X, Y, Z = per 2 hours).
- For Automotive application (ABS and electric power steering etc.)
- Guaranteed 3000 hours at 135°C (63V to 100V : Guaranteed 2000 hours)



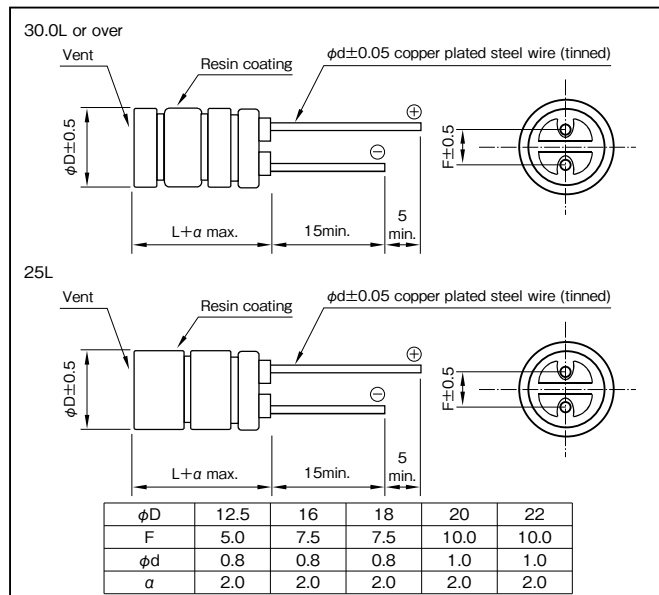
Marking color : Black print

Specifications

Item	Performance																
Category temperature range (°C)	-40 to +135																
Tolerance at rated capacitance (%)	±20 (20°C, 120Hz)																
Leakage current (µA) (max.)	0.01CV or 3 whichever is larger (after 2 minutes) C : Rated capacitance (µF), V : Rated voltage (V) (20°C)																
Tangent of loss angle (tanδ)	<table border="1"> <thead> <tr> <th>Rated voltage (V)</th> <th>25</th> <th>35</th> <th>50</th> <th>63</th> <th>80</th> <th>100</th> </tr> </thead> <tbody> <tr> <td>tanδ (max.)</td> <td>0.14</td> <td>0.12</td> <td>0.10</td> <td>0.10</td> <td>0.08</td> <td>0.08</td> </tr> </tbody> </table> <p>0.02 is added to every 1000µF increase over 1000µF. (20°C, 120Hz)</p>	Rated voltage (V)	25	35	50	63	80	100	tanδ (max.)	0.14	0.12	0.10	0.10	0.08	0.08		
Rated voltage (V)	25	35	50	63	80	100											
tanδ (max.)	0.14	0.12	0.10	0.10	0.08	0.08											
Characteristics at high and low temperature	<table border="1"> <thead> <tr> <th>Rated voltage (V)</th> <th>25</th> <th>35</th> <th>50</th> <th>63</th> <th>80</th> <th>100</th> </tr> </thead> <tbody> <tr> <td>Impedance ratio (max.)</td> <td>Z-40°C/Z+20°C</td> <td>3</td> <td>3</td> <td>3</td> <td>3</td> <td>3</td> </tr> </tbody> </table> <p>(120Hz)</p>	Rated voltage (V)	25	35	50	63	80	100	Impedance ratio (max.)	Z-40°C/Z+20°C	3	3	3	3	3		
Rated voltage (V)	25	35	50	63	80	100											
Impedance ratio (max.)	Z-40°C/Z+20°C	3	3	3	3	3											
Endurance (135°C or 125°C) (Applied ripple current)	<table border="1"> <tbody> <tr> <td>Test time</td> <td>3000 hours (63V to 100V : 2000 hours)</td> </tr> <tr> <td>Leakage current</td> <td>The initial specified value or less</td> </tr> <tr> <td>Percentage of capacitance change</td> <td>Within ±30% of initial value</td> </tr> <tr> <td>Tangent of the loss angle</td> <td>300% or less of the initial specified value</td> </tr> </tbody> </table>	Test time	3000 hours (63V to 100V : 2000 hours)	Leakage current	The initial specified value or less	Percentage of capacitance change	Within ±30% of initial value	Tangent of the loss angle	300% or less of the initial specified value								
Test time	3000 hours (63V to 100V : 2000 hours)																
Leakage current	The initial specified value or less																
Percentage of capacitance change	Within ±30% of initial value																
Tangent of the loss angle	300% or less of the initial specified value																
Shelf life (135°C)	Test time : 1000hours ; other items are same as the endurance. Voltage application treatment : According to JIS C5101-4 4.1																
Vibration	<p>Vibration test condition</p> <table border="1"> <tbody> <tr> <td>Frequency range</td> <td>10 to 2000Hz</td> </tr> <tr> <td>Amplitude or Acceleration</td> <td>1.5 mm peak to peak or 40G (392m/s²), whichever is the less severe</td> </tr> <tr> <td>Sweep rate</td> <td>0.5 octave/min.</td> </tr> <tr> <td>Vibration axis and duration</td> <td>X, Y, Z per 2 hours, total 6 hours</td> </tr> <tr> <td>Fixation</td> <td>Capacitor mounted by its body which is rigidly clamped to the work surface.</td> </tr> </tbody> </table> <p>Specification after test</p> <table border="1"> <tbody> <tr> <td>Leakage current</td> <td>The initial specified value or less</td> </tr> <tr> <td>Percentage of capacitance change</td> <td>Within ±30% of initial value</td> </tr> <tr> <td>Tangent of the loss angle</td> <td>300% or less of the initial specified value</td> </tr> </tbody> </table>	Frequency range	10 to 2000Hz	Amplitude or Acceleration	1.5 mm peak to peak or 40G (392m/s ²), whichever is the less severe	Sweep rate	0.5 octave/min.	Vibration axis and duration	X, Y, Z per 2 hours, total 6 hours	Fixation	Capacitor mounted by its body which is rigidly clamped to the work surface.	Leakage current	The initial specified value or less	Percentage of capacitance change	Within ±30% of initial value	Tangent of the loss angle	300% or less of the initial specified value
Frequency range	10 to 2000Hz																
Amplitude or Acceleration	1.5 mm peak to peak or 40G (392m/s ²), whichever is the less severe																
Sweep rate	0.5 octave/min.																
Vibration axis and duration	X, Y, Z per 2 hours, total 6 hours																
Fixation	Capacitor mounted by its body which is rigidly clamped to the work surface.																
Leakage current	The initial specified value or less																
Percentage of capacitance change	Within ±30% of initial value																
Tangent of the loss angle	300% or less of the initial specified value																
Applicable standards	JIS C5101 - 1, - 4 (IEC 60384 - 1, - 4)																

Outline Drawing

Unit : mm



Coefficient of Frequency for Rated Ripple Current

Rated capacitance (µF) \ Frequency (Hz)	120	1k	10k	100k
180 to 330	0.65	0.85	1.00	1
390 to 1000	0.75	0.90	1.00	1
1100 to 10000	0.85	0.95	1.00	1

Part numbering system (example : 35V3600µF)

RKF	—	35	V	362	M	K7	#	—	□
Series code		Rated voltage symbol		Rated capacitance symbol	Capacitance tolerance symbol	Casing symbol			Forming symbol

NOTE : Design, Specifications are subject to change without notice. It is recommended that you shall obtain technical specifications from ELNA to ensure that the component is suitable for your use.

Standard Ratings

Rated voltage (V)	Rated capacitance (μF)	Case φD × L (mm)	Casing symbol	ESR (Ω max. / 100kHz)		Rated ripple current (mA rms / 100kHz)	
				20°C	-40°C	135°C	125°C
				25	1800	12.5 × 25	I6
2200	12.5 × 30	I7	0.028		0.24	2900	4490
2700	12.5 × 35	I8	0.025		0.21	3190	5140
3300	12.5 × 40	I9	0.024		0.19	3470	5810
4700	16 × 31.5	J7	0.023		0.18	3400	5480
5400	16 × 35.5	J8	0.020		0.14	3630	6070
6200	16 × 40	J9	0.019		0.12	3930	6810
6200	18 × 31.5	K7	0.022		0.16	3470	5600
7800	18 × 35.5	K8	0.019		0.12	3750	6280
8200	18 × 40	K9	0.018		0.10	4080	7070
9500	20 × 40	L9	0.016		0.090	4570	7950
10000	22 × 40	N9	0.016		0.090	5000	8700
35	1100	12.5 × 25	I6	0.033	0.30	2010	3480
	1500	12.5 × 30	I7	0.028	0.24	2900	4490
	1800	12.5 × 35	I8	0.025	0.21	3190	5140
	2000	12.5 × 40	I9	0.024	0.19	3470	5810
	2700	16 × 31.5	J7	0.023	0.18	3400	5480
	3100	16 × 35.5	J8	0.020	0.14	3630	6070
	3600	16 × 40	J9	0.019	0.12	3930	6810
	3600	18 × 31.5	K7	0.022	0.16	3470	5600
	4700	18 × 35.5	K8	0.019	0.12	3750	6280
	5400	18 × 40	K9	0.018	0.10	4080	7070
	5900	20 × 40	L9	0.016	0.090	4570	7950
	6200	22 × 40	N9	0.016	0.090	5000	8700
50	560	12.5 × 25	I6	0.079	0.39	2260	3350
	750	12.5 × 30	I7	0.065	0.30	2520	4220
	900	12.5 × 35	I8	0.057	0.25	2780	4810
	1000	12.5 × 40	I9	0.050	0.22	3020	5240
	1300	16 × 31.5	J7	0.048	0.20	2960	5130
	1600	16 × 35.5	J8	0.039	0.15	3160	5480
	1900	16 × 40	J9	0.034	0.14	3420	5930
	2000	18 × 31.5	K7	0.038	0.15	3020	5240
	2400	18 × 35.5	K8	0.033	0.12	3390	5870
	2600	18 × 40	K9	0.031	0.11	3700	6420
	3300	20 × 40	L9	0.027	0.10	4200	7260
	3300	22 × 40	N9	0.027	0.10	4420	7660

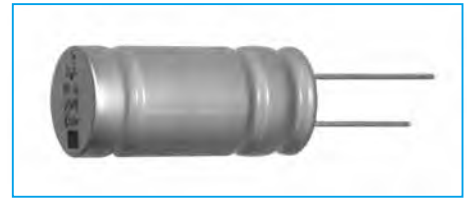
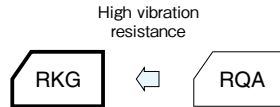
Rated voltage (V)	Rated capacitance (μF)	Case φD × L (mm)	Casing symbol	ESR (Ω max. / 100kHz)		Rated ripple current (mA rms / 100kHz)	
				20°C	-40°C	135°C	125°C
				63	390	12.5 × 25	I6
560	12.5 × 30	I7	0.061		0.30	2630	3110
650	12.5 × 35	I8	0.051		0.25	2970	3760
750	12.5 × 40	I9	0.045		0.22	3260	4610
1000	16 × 31.5	J7	0.049		0.20	3050	3860
1300	16 × 35.5	J8	0.039		0.15	3420	4590
1300	18 × 31.5	K7	0.041		0.15	3220	4080
1500	16 × 40	J9	0.036		0.14	3670	5190
1800	18 × 35.5	K8	0.032		0.12	3690	5220
2000	18 × 40	K9	0.031		0.11	3820	5660
2500	20 × 40	L9	0.026		0.10	4580	6480
2500	22 × 40	N9	0.026		0.10	4830	6830
80	290	12.5 × 25	I6	0.076	0.39	2050	2520
	420	12.5 × 30	I7	0.061	0.30	2630	3110
	490	12.5 × 35	I8	0.051	0.25	2970	3760
	570	12.5 × 40	I9	0.045	0.22	3260	4610
	750	16 × 31.5	J7	0.049	0.20	3050	3860
	820	16 × 35.5	J8	0.039	0.15	3420	4590
	820	18 × 31.5	K7	0.041	0.15	3220	4080
	950	16 × 40	J9	0.036	0.14	3670	5190
	1200	18 × 35.5	K8	0.032	0.12	3690	5220
	1300	18 × 40	K9	0.031	0.11	3820	5660
	1500	20 × 40	L9	0.026	0.10	4580	6480
	1500	22 × 40	N9	0.026	0.10	4830	6830
100	180	12.5 × 25	I6	0.099	0.55	1960	2140
	250	12.5 × 30	I7	0.076	0.41	2330	2950
	290	12.5 × 35	I8	0.065	0.35	2630	3530
	330	12.5 × 40	I9	0.055	0.29	2920	4140
	420	16 × 31.5	J7	0.060	0.27	2720	3440
	510	16 × 35.5	J8	0.052	0.23	2960	4190
	510	18 × 31.5	K7	0.054	0.20	2920	3920
	570	16 × 40	J9	0.041	0.18	3380	5020
	680	18 × 35.5	K8	0.044	0.16	3330	4710
	820	18 × 40	K9	0.038	0.14	3560	5280
	950	20 × 40	L9	0.033	0.13	3820	5410
	1000	22 × 40	N9	0.033	0.13	4030	5700

NOTE : Design, Specifications are subject to change without notice.
It is recommended that you shall obtain technical specifications from ELNA to ensure that the component is suitable for your use.

150°C Use, Miniature, Low ESR, High Vibration Resistance Capacitors

GREEN CAP High Vibration Resistance Low ESR 150°C 2000hours Anti-cleaning solvent

- Vibration resistance (40G, 10 to 2000Hz, X, Y, Z = per 2 hours).
- For Automotive application (ABS and electric power steering etc.)
- Guaranteed 2000 hours at 150°C (63V, 80V : 1000 hours)



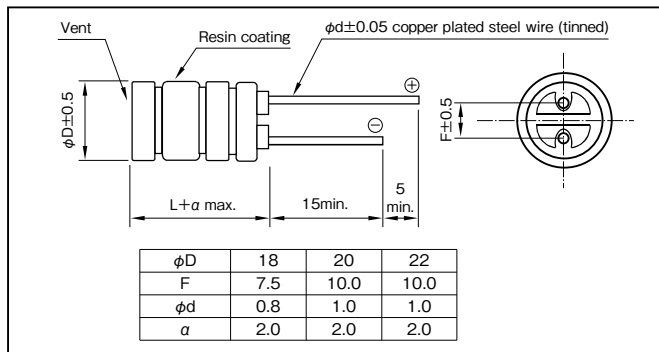
Marking color : Black print

Specifications

Item	Performance												
Category temperature range (°C)	-40 to +150												
Tolerance at rated capacitance (%)	±20 (20°C, 120Hz)												
Leakage current (µA) (max.)	0.01CV or 3 whichever is larger (after 2 minutes) C : Rated capacitance (µF), V : Rated voltage (V) (20°C)												
Tangent of loss angle (tanδ)	<table border="1"> <tr> <th>Rated voltage (V)</th> <td>25</td> <td>35</td> <td>50</td> <td>63</td> <td>80</td> </tr> <tr> <th>tanδ (max.)</th> <td>0.14</td> <td>0.12</td> <td>0.10</td> <td>0.10</td> <td>0.08</td> </tr> </table>	Rated voltage (V)	25	35	50	63	80	tanδ (max.)	0.14	0.12	0.10	0.10	0.08
	Rated voltage (V)	25	35	50	63	80							
tanδ (max.)	0.14	0.12	0.10	0.10	0.08								
0.02 is added to every 1000µF increase over 1000µF. (20°C, 120Hz)													
Characteristics at high and low temperature	<table border="1"> <tr> <th>Rated voltage (V)</th> <td>25</td> <td>35</td> <td>50</td> <td>63</td> <td>80</td> </tr> <tr> <th>Impedance ratio (max.)</th> <td>Z-40°C/Z+20°C</td> <td>3</td> <td>3</td> <td>3</td> <td>3</td> </tr> </table>	Rated voltage (V)	25	35	50	63	80	Impedance ratio (max.)	Z-40°C/Z+20°C	3	3	3	3
	Rated voltage (V)	25	35	50	63	80							
Impedance ratio (max.)	Z-40°C/Z+20°C	3	3	3	3								
(120Hz)													
Endurance (150°C or 125°C) (Applied ripple current)	Test time	2000 hours (63V, 80V : 1000 hours)											
	Leakage current	The initial specified value or less											
	Percentage of capacitance change	Within ±30% of initial value											
	Tangent of the loss angle	300% or less of the initial specified value											
Shelf life (150°C)	Test time : 1000hours ; other items are same as the endurance. Voltage application treatment : According to JIS C5101-4 4.1												
Vibration	Vibration test condition												
	Frequency range	10 to 2000Hz											
	Amplitude or Acceleration	1.5 mm peak to peak or 40G (392m/s ²), whichever is the less severe											
	Sweep rate	0.5 octave/min.											
	Vibration axis and duration	X, Y, Z per 2 hours, total 6 hours											
	Fixation	Capacitor mounted by its body which is rigidly clamped to the work surface.											
Specification after test													
Leakage current	The initial specified value or less												
Percentage of capacitance change	Within ±30% of initial value												
Tangent of the loss angle	300% or less of the initial specified value												
Applicable standards	JIS C5101 - 1, - 4 (IEC 60384 - 1, - 4)												

Outline Drawing

Unit : mm



Coefficient of Frequency for Rated Ripple Current

Rated capacitance (µF) \ Frequency (Hz)	120	1k	10k	100k
800 to 1000	0.75	0.90	1.00	1
1100 to 4700	0.85	0.95	1.00	1

Part numbering system (example : 35V2700µF)

RKG	—	35	V	272	M	K9	#	—	□
Series code		Rated voltage symbol		Rated capacitance symbol	Capacitance tolerance symbol	Casing symbol			Forming symbol

Standard Ratings

Rated voltage (V) \ Rated capacitance (µF)	Item	Case φD × L (mm)	Casing symbol	25				35				50							
				ESR (Ω max. / 100kHz)		Rated ripple current (mA rms / 100kHz)		Case φD × L (mm)	Casing symbol	ESR (Ω max. / 100kHz)		Rated ripple current (mA rms / 100kHz)		Case φD × L (mm)	Casing symbol	ESR (Ω max. / 100kHz)		Rated ripple current (mA rms / 100kHz)	
				20°C	-40°C	150°C	125°C			20°C	-40°C	150°C	125°C			20°C	-40°C	150°C	125°C
1800	—	—	—	—	—	—	—	—	—	—	—	—	—	—	—	—	—	—	—
2400	—	—	—	—	—	—	—	—	—	—	—	—	—	—	—	—	—	—	—
2700	—	—	—	—	—	—	—	18 × 42	K9	0.020	0.11	3100	8000	18 × 42	K9	0.034	0.19	2800	7000
3300	—	—	—	—	—	—	—	20 × 42	L9	0.018	0.10	3500	10000	22 × 42	N9	0.030	0.17	3200	9000
3900	—	—	—	—	—	—	—	22 × 42	N9	0.018	0.10	3700	10500	—	—	—	—	—	—
4700	18 × 42	K9	0.020	0.11	3100	8000	—	—	—	—	—	—	—	—	—	—	—	—	—
	20 × 42	L9	0.018	0.10	3500	10000	—	—	—	—	—	—	—	—	—	—	—	—	—
	22 × 42	N9	0.018	0.10	3700	10500	—	—	—	—	—	—	—	—	—	—	—	—	—

Rated voltage (V) \ Rated capacitance (µF)	Item	Case φD × L (mm)	Casing symbol	63				80					
				ESR (Ω max. / 100kHz)		Rated ripple current (mA rms / 100kHz)		Case φD × L (mm)	Casing symbol	ESR (Ω max. / 100kHz)		Rated ripple current (mA rms / 100kHz)	
				20°C	-40°C	150°C	125°C			20°C	-40°C	150°C	125°C
800	—	—	—	—	—	—	—	18 × 42	K9	0.034	0.19	2900	7300
1000	—	—	—	—	—	—	—	20 × 42	L9	0.029	0.16	3300	9300
1100	—	—	—	—	—	—	—	22 × 42	N9	0.029	0.16	3500	9800
1200	18 × 42	K9	0.034	0.19	2900	7300	—	—	—	—	—	—	
1500	20 × 42	L9	0.029	0.16	3300	9300	—	—	—	—	—	—	
1800	22 × 42	N9	0.029	0.16	3500	9800	—	—	—	—	—	—	

NOTE : Design, Specifications are subject to change without notice.
It is recommended that you shall obtain technical specifications from ELNA to ensure that the component is suitable for your use.

Large Capacitance Aluminum Electrolytic Capacitors

LA5, LT5 LARGE CAPACITANCE ALUMINUM ELECTROLYTIC CAPACITORS **ELNA**

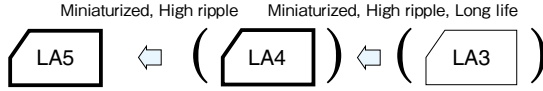
PCB Snap-In Miniaturized Capacitors

GREEN CAP

- 20mm-tall products for every diameter of $\phi 22$ to $\phi 35$ are now offered in series.
- As many as 4 case sizes available for the same rating.



Marking color : White print on a black sleeve

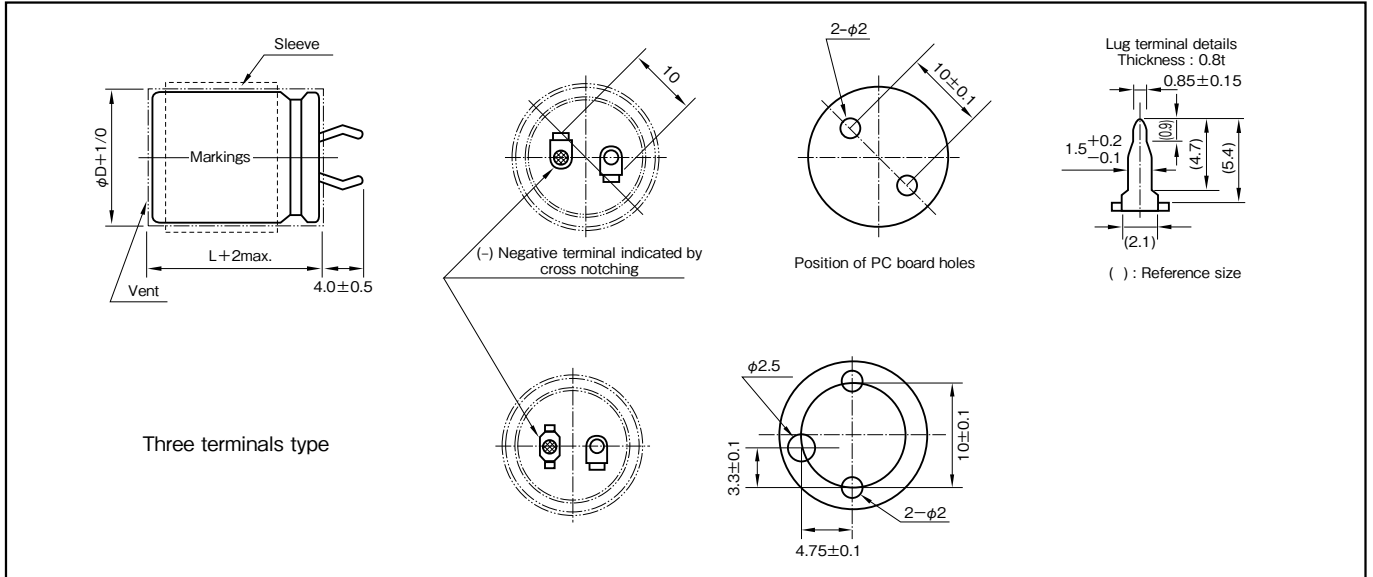


Specifications

Item	Performance						
Category temperature range (°C)	-40 to +85 (450V is at -25 to +85)						
Tolerance at rated capacitance (%)	±20 (20°C, 120Hz)						
Leakage current (µA) (max.)	3√CV (after 5 minutes) C : Rated capacitance (µF) ; V : Rated voltage (V) (20°C)						
Tangent of loss angle (tanδ)	Rated voltage (V)	10	16	25	35	50	63 to 100
	tanδ (max.)	0.80	0.60	0.50	0.40	0.30	0.20
	tanδ (max.)	φD (mm)	Rated voltage (V)		160 to 250	315 to 450	
22 to 30			0.10	0.15			
35		0.15		0.15			
Characteristics at high and low temperature	Rated voltage (V)	10	16 to 35	50 to 100	160 to 200	250 to 400	450
	Impedance ratio (max.)	Z-25°C/Z+20°C	5	4	3	3	4
Z-40°C/Z+20°C		18	15	10	6	8	—
Endurance (85°C) (Applied ripple current)	Test time	2000 hours					
	Leakage current	The initial specified value or less					
	Percentage of capacitance change	Within ±20% of initial value					
	Tangent of the loss angle	200% or less of the initial specified value					
Shelf life (85°C)	Test time	1000 hours					
	Leakage current	The initial specified value or less					
	Percentage of capacitance change	Within ±15% of initial value					
	Tangent of the loss angle	150% or less of the initial specified value					
Applicable standards	Voltage application treatment : According to JIS C5101-4 4.1 JIS C5101 - 1, - 4 (IEC 60384 - 1, - 4)						

Outline Drawing

Unit : mm



Coefficient of Frequency for Rated Ripple Current

Frequency (Hz)	50	120	1k	10k	30k
Rated voltage (V)					
100 or less	0.95	1	1.10	1.15	1.15
160 to 250	0.81	1	1.32	1.45	1.50
315 or more	0.77	1	1.30	1.41	1.43

Part numbering system					
series LA5, standard terminal type :400V330µF					
LA5	400 V	331	M	S43 #	B
Series code	Rated voltage symbol	Rated capacitance symbol	Capacitance tolerance symbol	Casing symbol	Optional symbol
series LT5, three terminals type :400V330µF					
LT5	— 400 V	331	M	S43 #	B
Series code	Rated voltage symbol	Rated capacitance symbol	Capacitance tolerance symbol	Casing symbol	Optional symbol

NOTE : Design, Specifications are subject to change without notice.
It is recommended that you shall obtain technical specifications from ELNA to ensure that the component is suitable for your use.

LA5,LT5 LARGE CAPACITANCE ALUMINUM ELECTROLYTIC CAPACITORS **ELNA**

Standard Ratings

Rated voltage (V)	Rated capacitance (μF)	Case (mm)		Casing Symbol	Rated ripple current (Arms)	Rated voltage (V)	Rated capacitance (μF)	Case (mm)		Casing Symbol	Rated ripple current (Arms)	Rated voltage (V)	Rated capacitance (μF)	Case (mm)		Casing Symbol	Rated ripple current (Arms)
		D	L					D	L					D	L		
10	8200	22	20	S21	2.00	10	47000	35	25	S52	5.97	16	22000	22	35	S24	4.12
	10000	22	20	S21	2.21		47000	35	30	S53	6.20		22000	22	40	S25	4.31
	12000	22	20	S21	2.42		56000	25	45	S36	6.47		22000	22	50	S27	4.50
	12000	22	25	S22	2.50		56000	25	50	S37	6.55		22000	25	30	S33	4.12
	12000	25	20	S31	2.50		56000	30	35	S44	6.59		22000	25	35	S34	4.31
	15000	22	25	S22	2.80		56000	30	40	S45	6.66		22000	25	40	S35	4.40
	15000	22	30	S23	3.00		56000	30	45	S46	6.90		22000	30	25	S42	4.31
	15000	25	20	S31	2.80		56000	35	30	S53	6.77		22000	30	30	S43	4.40
	18000	22	25	S22	3.06		56000	35	35	S54	7.00		22000	35	20	S51	4.48
	18000	22	30	S23	3.29		68000	25	50	S37	7.22		22000	35	25	S52	4.60
	18000	25	20	S31	3.06		68000	30	40	S45	7.34		27000	22	40	S25	4.78
	18000	25	25	S32	3.20		68000	30	45	S46	7.60		27000	22	45	S26	4.90
	18000	30	20	S41	3.30		68000	30	50	S47	7.70		27000	25	35	S34	4.78
	22000	22	30	S23	3.63		68000	35	30	S53	7.46		27000	25	40	S35	4.87
	22000	22	35	S24	3.70		68000	35	35	S54	7.71		27000	25	45	S36	5.00
	22000	25	25	S32	3.54		68000	35	40	S55	7.90		27000	30	25	S42	4.78
	22000	25	30	S33	3.70		82000	30	45	S46	8.35		27000	30	30	S43	4.87
	22000	30	20	S41	3.65		82000	30	50	S47	8.46		27000	30	35	S44	5.10
	22000	35	20	S51	3.90		82000	35	35	S54	8.47		27000	35	25	S52	5.10
	27000	22	35	S24	3.90		82000	35	40	S55	8.68		33000	22	45	S26	5.41
	27000	22	40	S25	4.10		82000	35	45	S56	8.90		33000	22	50	S27	5.51
	27000	22	45	S26	4.30		100000	30	50	S47	9.34		33000	25	40	S35	5.39
	27000	25	25	S32	3.92		100000	35	40	S55	9.58		33000	25	45	S36	5.53
	27000	25	30	S33	4.10		100000	35	50	S57	10.20		33000	30	30	S43	5.39
	27000	25	35	S34	4.20		120000	35	45	S56	10.80		33000	30	35	S44	5.64
	27000	30	20	S41	4.04		120000	35	50	S57	11.20		33000	30	40	S45	5.80
	27000	30	25	S42	4.20		150000	35	50	S57	12.50		33000	30	40	S45	5.80
	27000	30	30	S43	4.32		5600	22	20	S21	1.90		33000	35	25	S52	5.63
	27000	35	20	S51	4.32		5600	22	20	S21	2.09		33000	35	30	S53	5.80
	33000	22	35	S24	4.53		6800	22	20	S21	2.09		39000	25	45	S36	6.01
	33000	22	40	S25	4.54		8200	22	20	S21	2.21		39000	25	50	S37	6.27
	33000	22	50	S27	4.90		8200	22	25	S22	2.40		39000	30	35	S44	6.13
	33000	25	30	S33	4.53		8200	25	20	S31	2.30		39000	30	40	S45	6.31
	33000	25	35	S34	4.64		10000	22	25	S22	2.65		39000	30	45	S46	6.40
	33000	25	40	S35	4.80		10000	25	20	S31	2.54		39000	35	30	S53	6.31
	33000	30	25	S42	4.64		12000	22	25	S22	2.78		39000	35	35	S54	6.50
	33000	30	30	S43	4.90		12000	22	30	S23	3.00		47000	25	50	S37	6.88
	33000	35	20	S51	4.78		12000	25	20	S31	2.78		47000	30	40	S45	6.92
	33000	35	25	S52	5.00		12000	25	25	S32	2.90		47000	30	45	S46	7.03
	39000	22	40	S25	4.93		12000	30	20	S41	3.00		47000	30	50	S47	7.20
	39000	22	45	S26	5.17		15000	22	30	S23	3.35		47000	35	30	S53	6.92
	39000	25	35	S34	5.05		15000	22	35	S24	3.40		47000	35	35	S54	7.14
	39000	25	40	S35	5.22		15000	25	25	S32	3.24		47000	35	40	S55	7.40
	39000	25	45	S36	5.40		15000	25	30	S33	3.40		47000	35	40	S55	7.40
	39000	30	25	S42	5.05		15000	30	20	S41	3.35		56000	30	45	S46	7.67
39000	30	30	S43	5.33	15000	35	20	S51	3.70	56000	30	50	S47	7.86			
39000	30	35	S44	5.50	18000	22	30	S23	3.67	56000	35	35	S54	7.79			
39000	35	25	S52	5.44	18000	22	35	S24	3.72	56000	35	40	S55	8.08			
47000	22	50	S27	5.85	18000	22	40	S25	3.90	56000	35	45	S56	8.20			
47000	25	40	S35	5.73	18000	25	25	S32	3.55	68000	30	50	S47	8.66			
47000	25	45	S36	5.93	18000	25	30	S33	3.72	68000	35	40	S55	8.90			
47000	25	50	S37	6.00	18000	25	35	S34	3.90	68000	35	45	S56	9.04			
47000	30	30	S43	5.85	18000	25	35	S34	3.90	82000	35	45	S56	9.92			
47000	30	35	S44	6.04	18000	30	20	S41	3.67	82000	35	50	S57	10.30			
47000	30	35	S44	6.04	18000	30	25	S42	3.90	100000	35	50	S57	11.40			
47000	30	40	S45	6.10	18000	35	20	S51	4.05								

(Note) Rated ripple current : 85°C , 120Hz ; ESR. : 20°C , 120Hz

NOTE : Design, Specifications are subject to change without notice.
It is recommended that you shall obtain technical specifications from ELNA to ensure that the component is suitable for your use.

LA5,LT5 LARGE CAPACITANCE ALUMINUM ELECTROLYTIC CAPACITORS **ELNA**

Standard Ratings

Rated voltage (V)	Rated capacitance (μF)	Case (mm)		Casing Symbol	Rated ripple current (Arms)	Rated voltage (V)	Rated capacitance (μF)	Case (mm)		Casing Symbol	Rated ripple current (Arms)	Rated voltage (V)	Rated capacitance (μF)	Case (mm)		Casing Symbol	Rated ripple current (Arms)
		D	L					D	L					D	L		
25	3900	22	20	S21	1.80	25	22000	35	25	S52	5.33	35	10000	22	35	S24	3.52
	4700	22	20	S21	1.98		22000	35	30	S53	5.50		10000	22	40	S25	3.64
	5600	22	20	S21	2.16		27000	25	45	S36	5.76		10000	22	50	S27	3.90
	5600	22	25	S22	2.30		27000	25	50	S37	5.98		10000	25	30	S33	3.52
	5600	25	20	S31	2.20		27000	30	35	S44	5.88		10000	25	35	S34	3.64
	6800	22	25	S22	2.53		27000	30	40	S45	6.09		10000	25	40	S35	3.80
	6800	25	20	S31	2.42		27000	30	45	S46	6.20		10000	30	25	S42	3.64
	8200	22	25	S22	2.78		27000	35	30	S53	6.09		10000	30	30	S43	3.80
	8200	22	30	S23	2.80		27000	35	35	S54	6.30		10000	35	20	S51	3.76
	8200	25	20	S31	2.66		33000	25	50	S37	6.61		10000	35	25	S52	4.00
	8200	25	25	S32	2.80		33000	30	40	S45	6.74		12000	22	40	S25	3.99
	8200	30	20	S41	2.90		33000	30	45	S46	6.85		12000	22	45	S26	4.09
	10000	22	30	S23	3.09		33000	30	50	S47	7.00		12000	25	35	S34	3.99
	10000	22	35	S24	3.20		33000	35	30	S53	6.74		12000	25	40	S35	4.16
	10000	25	25	S32	3.09		33000	35	35	S54	6.96		12000	25	45	S36	4.30
	10000	25	30	S33	3.20		33000	35	40	S55	7.20		12000	30	25	S42	3.99
	10000	30	20	S41	3.20		39000	30	45	S46	7.45		12000	30	30	S43	4.16
	10000	35	20	S51	3.50		39000	30	50	S47	7.61		12000	30	35	S44	4.30
	12000	22	30	S23	3.39		39000	35	35	S54	7.57		12000	35	25	S52	4.38
	12000	22	35	S24	3.51		39000	35	40	S55	7.83		15000	22	45	S26	4.58
	12000	22	40	S25	3.70		39000	35	45	S56	8.00		15000	22	50	S27	4.78
	12000	25	25	S32	3.39		47000	30	50	S47	8.35		15000	25	40	S35	4.65
	12000	25	30	S33	3.51		47000	35	40	S55	8.59		15000	25	45	S36	4.81
	12000	25	35	S34	3.70		47000	35	45	S56	8.78		15000	25	50	S37	4.90
	12000	30	20	S41	3.51		56000	35	45	S56	9.59		15000	30	30	S43	4.65
	12000	30	25	S42	3.70		56000	35	50	S57	9.96		15000	30	35	S44	4.81
	12000	35	20	S51	3.83		68000	35	50	S57	11.00		15000	30	40	S45	5.00
	15000	22	35	S24	3.92		2700	22	20	S21	1.60		15000	35	25	S52	4.90
	15000	22	40	S25	4.14		3300	22	20	S21	1.77		15000	35	30	S53	5.00
	15000	22	50	S27	4.30		3900	22	20	S21	1.92		18000	25	45	S36	5.27
	15000	25	30	S33	3.92		3900	22	25	S22	2.10		18000	25	50	S37	5.37
	15000	25	35	S34	4.14		3900	25	20	S31	2.00		18000	30	35	S44	5.27
	15000	25	40	S35	4.20		4700	22	25	S22	2.31		18000	30	40	S45	5.48
	15000	30	25	S42	4.14		4700	22	30	S23	2.40		18000	30	45	S46	5.60
	15000	30	30	S43	4.30		4700	25	20	S31	2.20		18000	35	30	S53	5.48
	15000	35	20	S51	4.29		5600	22	25	S22	2.52		18000	35	35	S54	5.70
	15000	35	25	S52	4.40		5600	22	30	S23	2.62		22000	25	50	S37	5.93
	18000	22	40	S25	4.53		5600	25	20	S31	2.40		22000	30	40	S45	6.06
	18000	22	45	S26	4.62		5600	25	25	S32	2.60		22000	30	45	S46	6.19
	18000	25	35	S34	4.53		5600	30	20	S41	2.60		22000	30	50	S47	6.30
	18000	25	40	S35	4.60		6800	22	30	S23	2.89		22000	35	30	S53	6.06
	18000	25	45	S36	4.70		6800	22	35	S24	2.90		22000	35	35	S54	6.30
	18000	30	25	S42	4.53		6800	25	25	S32	2.87		22000	35	40	S55	6.40
	18000	30	30	S43	4.71		6800	25	30	S33	2.90		27000	30	45	S46	6.86
	18000	30	35	S44	4.80		6800	30	20	S41	2.87		27000	30	50	S47	6.98
18000	35	25	S52	4.82	6800	35	20	S51	3.10	27000	35	35	S54	6.98			
22000	22	45	S26	5.11	8200	22	35	S24	3.18	27000	35	40	S55	7.09			
22000	22	50	S27	5.21	8200	22	40	S25	3.30	27000	35	50	S57	7.40			
22000	25	40	S35	5.09	8200	25	25	S32	3.15	33000	30	50	S47	7.72			
22000	25	45	S36	5.20	8200	25	30	S33	3.18	33000	35	40	S55	7.84			
22000	25	50	S37	5.40	8200	25	35	S34	3.30	33000	35	45	S56	7.87			
22000	30	30	S43	5.21	8200	30	20	S41	3.15	39000	35	45	S56	8.56			
22000	30	35	S44	5.31	8200	30	25	S42	3.30	39000	35	50	S57	8.89			
22000	30	40	S45	5.50	8200	35	20	S51	3.40								

(Note) Rated ripple current : 85°C , 120Hz ; ESR. : 20°C , 120Hz

NOTE : Design, Specifications are subject to change without notice.
It is recommended that you shall obtain technical specifications from ELNA to ensure that the component is suitable for your use.

LA5,LT5 LARGE CAPACITANCE ALUMINUM ELECTROLYTIC CAPACITORS **ELNA**

Standard Ratings

Rated voltage (V)	Rated capacitance (μF)	Case (mm)		Casing Symbol	Rated ripple current (Arms)	Rated voltage (V)	Rated capacitance (μF)	Case (mm)		Casing Symbol	Rated ripple current (Arms)	Rated voltage (V)	Rated capacitance (μF)	Case (mm)		Casing Symbol	Rated ripple current (Arms)
		D	L					D	L					D	L		
50	1800	22	20	S21	1.60	50	10000	30	30	S43	4.73	63	3900	35	20	S51	3.40
	2200	22	20	S21	1.77		10000	30	35	S44	4.86		4700	22	35	S24	3.46
	2700	22	20	S21	1.96		10000	30	40	S45	5.00		4700	22	40	S25	3.62
	2700	22	25	S22	2.10		10000	35	25	S52	4.85		4700	22	45	S26	3.70
	2700	25	20	S31	2.10		10000	35	30	S53	5.00		4700	25	30	S33	3.51
	3300	22	25	S22	2.32		12000	25	45	S36	5.20		4700	25	35	S34	3.60
	3300	25	20	S31	2.32		12000	25	50	S37	5.37		4700	30	25	S42	3.62
	3900	22	25	S22	2.52		12000	30	35	S44	5.32		4700	35	20	S51	3.73
	3900	22	30	S23	2.60		12000	30	40	S45	5.48		5600	22	40	S25	3.95
	3900	25	20	S31	2.52		12000	30	45	S46	5.60		5600	22	45	S26	4.04
	3900	25	25	S32	2.60		12000	35	30	S53	5.48		5600	22	50	S27	4.10
	3900	30	20	S41	2.70		12000	35	35	S54	5.70		5600	25	35	S34	3.93
	4700	22	30	S23	2.85		15000	25	50	S37	6.00		5600	25	40	S35	4.00
	4700	22	35	S24	3.10		15000	30	40	S45	6.12		5600	30	25	S42	3.95
	4700	25	25	S32	2.85		15000	30	45	S46	6.26		5600	30	30	S43	4.10
	4700	25	30	S33	3.00		15000	30	50	S47	6.40		5600	35	20	S51	4.07
	4700	30	20	S41	2.96		15000	35	30	S53	6.12		5600	35	25	S52	4.20
	4700	35	20	S51	3.20		15000	35	35	S54	6.37		6800	22	45	S26	4.45
	5600	22	30	S23	3.12		15000	35	40	S55	6.50		6800	22	50	S27	4.52
	5600	22	35	S24	3.38		18000	30	45	S46	6.86		6800	25	35	S34	4.33
	5600	22	40	S25	3.40		18000	30	50	S47	7.01		6800	25	40	S35	4.41
	5600	25	25	S32	3.12		18000	35	35	S54	6.98		6800	25	45	S36	4.60
	5600	25	30	S33	3.27		18000	35	40	S55	7.12		6800	30	30	S43	4.52
	5600	25	35	S34	3.40		18000	35	45	S56	7.30		6800	30	35	S44	4.60
	5600	30	20	S41	3.24		22000	30	50	S47	7.75		6800	35	25	S52	4.63
	5600	30	25	S42	3.40		22000	35	40	S55	7.87		6800	35	30	S53	4.80
	5600	35	20	S51	3.49		22000	35	45	S56	8.07		8200	22	50	S27	4.96
	6800	22	35	S24	3.73		27000	35	45	S56	8.94		8200	25	45	S36	5.05
	6800	22	40	S25	3.75		27000	35	50	S57	9.29		8200	30	35	S44	5.05
	6800	22	50	S27	3.90		1500	22	20	S21	1.70		8200	30	40	S45	5.20
6800	25	30	S33	3.61	1800	22	20	S21	1.86	8200	35	25	S52	5.08			
6800	25	35	S34	3.75	1800	25	20	S31	2.00	8200	35	30	S53	5.27			
6800	25	40	S35	3.80	2200	22	20	S21	2.06	8200	35	35	S54	5.50			
6800	30	25	S42	3.75	2200	22	25	S22	2.20	10000	25	50	S37	5.82			
6800	30	30	S43	3.90	2200	25	20	S31	2.21	10000	30	35	S44	5.58			
6800	35	20	S51	3.85	2700	22	25	S22	2.25	10000	30	40	S45	5.74			
6800	35	25	S52	4.00	2700	22	30	S23	2.50	10000	30	45	S46	5.90			
8200	22	40	S25	4.11	2700	25	20	S31	2.25	10000	35	30	S53	5.82			
8200	22	45	S26	4.21	2700	25	25	S32	2.30	10000	35	35	S54	6.07			
8200	25	35	S34	4.11	2700	30	20	S41	2.60	10000	35	40	S55	6.20			
8200	25	40	S35	4.17	3300	22	30	S23	2.76	12000	30	45	S46	6.46			
8200	25	45	S36	4.30	3300	22	35	S24	2.90	12000	35	35	S54	6.65			
8200	30	25	S42	4.11	3300	25	25	S32	2.54	12000	35	40	S55	6.79			
8200	30	30	S43	4.28	3300	30	20	S41	2.87	12000	35	45	S56	6.90			
8200	30	35	S44	4.40	3900	22	30	S23	3.00	15000	30	50	S47	7.52			
8200	35	25	S52	4.39	3900	22	35	S24	3.15	15000	35	40	S55	7.59			
10000	22	45	S26	4.64	3900	22	40	S25	3.30	15000	35	45	S56	7.71			
10000	22	50	S27	4.73	3900	25	25	S32	2.76	15000	35	50	S57	7.90			
10000	25	40	S35	4.61	3900	25	30	S33	3.20	18000	35	45	S56	8.45			
10000	25	45	S36	4.75	3900	30	20	S41	3.12	18000	35	50	S57	8.65			
10000	25	50	S37	4.90	3900	30	25	S42	3.30	22000	35	50	S57	9.57			

(Note) Rated ripple current : 85°C , 120Hz ; ESR. : 20°C , 120Hz

NOTE : Design, Specifications are subject to change without notice.
It is recommended that you shall obtain technical specifications from ELNA to ensure that the component is suitable for your use.

LA5, LT5 LARGE CAPACITANCE ALUMINUM ELECTROLYTIC CAPACITORS **ELNA**

Standard Ratings

Rated voltage (V)	Rated capacitance (μF)	Case (mm)		Casing Symbol	Rated ripple current (Arms)	Rated voltage (V)	Rated capacitance (μF)	Case (mm)		Casing Symbol	Rated ripple current (Arms)	Rated voltage (V)	Rated capacitance (μF)	Case (mm)		Casing Symbol	Rated ripple current (Arms)
		D	L					D	L					D	L		
80	1000	22	20	S21	1.50	80	5600	25	50	S37	4.37	100	2200	22	45	S26	3.20
	1200	22	20	S21	1.64		5600	30	35	S44	4.37		2200	25	30	S33	3.03
	1200	25	20	S31	1.70		5600	30	40	S45	4.50		2200	25	35	S34	3.10
	1500	22	25	S22	1.90		5600	35	30	S53	4.58		2200	25	40	S35	3.20
	1500	25	20	S31	1.90		5600	35	35	S54	4.70		2200	30	25	S42	3.10
	1800	22	25	S22	2.08		6800	25	50	S37	4.81		2200	30	30	S43	3.20
	1800	22	30	S23	2.20		6800	30	40	S45	4.96		2200	35	20	S51	3.27
	1800	25	20	S31	2.08		6800	30	45	S46	5.10		2200	35	25	S52	3.40
	1800	25	25	S32	2.20		6800	35	30	S53	5.05		2700	22	45	S26	3.55
	1800	30	20	S41	2.20		6800	35	35	S54	5.18		2700	22	50	S27	3.70
	2200	22	30	S23	2.43		6800	35	40	S55	5.30		2700	25	35	S34	3.43
	2200	22	35	S24	2.50		8200	30	45	S46	5.60		2700	25	40	S35	3.55
	2200	25	25	S32	2.43		8200	30	50	S47	5.83		2700	25	45	S36	2.90
	2200	25	30	S33	2.50		8200	35	35	S54	5.69		2700	30	30	S43	3.55
	2200	30	20	S41	2.43		8200	35	40	S55	5.82		2700	30	35	S44	3.70
	2700	22	30	S23	2.69		8200	35	45	S56	6.00		2700	35	25	S52	3.77
	2700	22	35	S24	2.77		10000	30	50	S47	6.44		3300	22	50	S27	4.09
	2700	22	40	S25	2.80		10000	35	40	S55	6.43		3300	25	40	S35	3.92
	2700	25	25	S32	2.69		10000	35	45	S56	6.63		3300	25	45	S36	3.98
	2700	25	30	S33	2.77		10000	35	50	S57	6.80		3300	25	50	S37	4.10
	2700	30	20	S41	2.69		12000	35	45	S56	7.26		3300	30	30	S43	3.92
	2700	30	25	S42	2.90		12000	35	50	S57	7.45		3300	30	35	S44	4.09
	2700	35	20	S51	3.00		560	22	20	S21	1.30		3300	30	40	S45	4.20
	3300	22	35	S24	3.06		680	22	20	S21	1.43		3300	35	25	S52	4.16
	3300	22	40	S25	3.10		820	22	20	S21	1.57		3300	35	30	S53	4.30
	3300	22	45	S26	3.20		820	22	25	S22	1.70		3900	25	45	S36	4.33
	3300	25	30	S33	3.06		820	25	20	S31	1.70		3900	25	50	S37	4.46
	3300	25	35	S34	3.10		1000	22	25	S22	1.88		3900	30	35	S44	4.45
3300	30	25	S42	3.21	1000	25	20	S31	1.88	3900	30	40	S45	4.57			
3300	35	20	S51	3.32	1200	22	25	S22	2.06	3900	30	45	S46	4.70			
3900	22	40	S25	3.37	1200	22	30	S23	2.10	3900	35	30	S53	4.67			
3900	22	45	S26	3.48	1200	25	20	S31	2.06	3900	35	35	S54	4.80			
3900	22	50	S27	3.60	1200	25	25	S32	2.10	4700	30	40	S45	5.01			
3900	25	35	S34	3.37	1200	30	20	S41	2.20	4700	30	45	S46	5.16			
3900	25	40	S35	3.50	1500	22	30	S23	2.35	4700	30	50	S47	5.20			
3900	30	25	S42	3.49	1500	22	35	S24	2.50	4700	35	30	S53	5.13			
3900	30	30	S43	3.60	1500	25	25	S32	2.35	4700	35	35	S54	5.27			
3900	35	25	S52	3.70	1500	25	30	S33	2.50	4700	35	40	S55	5.40			
4700	22	45	S26	3.82	1500	30	20	S41	2.46	5600	30	45	S46	5.63			
4700	22	50	S27	3.95	1500	35	20	S51	2.70	5600	30	50	S47	5.68			
4700	25	40	S35	3.84	1800	22	35	S24	2.74	5600	35	35	S54	5.75			
4700	25	45	S36	3.92	1800	22	40	S25	2.80	5600	35	40	S55	5.89			
4700	25	50	S37	4.00	1800	25	30	S33	2.74	5600	35	45	S56	6.00			
4700	30	30	S43	3.95	1800	25	35	S34	2.80	6800	30	50	S47	6.25			
4700	30	35	S44	4.00	1800	30	20	S41	2.69	6800	35	40	S55	6.50			
4700	35	25	S52	4.06	1800	30	25	S42	2.80	6800	35	45	S56	6.61			
4700	35	30	S53	4.20	1800	35	20	S51	2.96	8200	35	45	S56	7.26			
5600	25	45	S36	4.15	2200	22	40	S25	3.10	8200	35	50	S57	7.55			

(Note) Rated ripple current : 85°C , 120Hz ; ESR. : 20°C , 120Hz

NOTE : Design, Specifications are subject to change without notice.
It is recommended that you shall obtain technical specifications from ELNA to ensure that the component is suitable for your use.

LA5, LT5 LARGE CAPACITANCE ALUMINUM ELECTROLYTIC CAPACITORS **ELNA**

Standard Ratings

Rated voltage (V)	Rated capacitance (μF)	Case (mm)		Casing Symbol	Rated ripple current (Arms)	Rated voltage (V)	Rated capacitance (μF)	Case (mm)		Casing Symbol	Rated ripple current (Arms)	Rated voltage (V)	Rated capacitance (μF)	Case (mm)		Casing Symbol	Rated ripple current (Arms)
		D	L					D	L					D	L		
160	270	22	20	S21	1.49	160	1500	30	35	S44	4.52	180	680	35	20	S51	2.42
	330	22	20	S21	1.65		1500	30	40	S45	3.70		820	22	35	S24	2.96
	390	22	20	S21	1.71		1500	35	25	S52	4.24		820	22	40	S25	3.11
	390	22	25	S22	1.93		1500	35	30	S53	4.56		820	22	45	S26	2.60
	390	25	20	S31	1.76		1800	25	50	S37	5.26		820	25	30	S33	2.96
	470	22	25	S22	2.12		1800	30	35	S44	4.95		820	25	35	S34	3.14
	470	25	20	S31	1.93		1800	30	40	S45	5.14		820	25	40	S35	2.60
	560	22	25	S22	2.31		1800	30	45	S46	4.20		820	30	25	S42	3.00
	560	22	30	S23	2.43		1800	35	30	S53	4.99		820	30	30	S43	3.20
	560	25	25	S32	2.43		1800	35	35	S54	5.21		820	35	20	S51	2.66
	560	30	20	S41	2.11		2200	30	40	S45	5.68		820	35	25	S52	3.13
	680	22	30	S23	2.68		2200	30	45	S46	5.93		1000	22	45	S26	3.61
	680	22	35	S24	2.70		2200	30	50	S47	4.70		1000	25	35	S34	3.47
	680	25	25	S32	2.68		2200	35	35	S54	5.76		1000	25	40	S35	3.60
	680	25	30	S33	2.70		2200	35	40	S55	4.70		1000	25	45	S36	2.90
	680	30	20	S41	2.33		2700	30	50	S47	6.83		1000	30	25	S42	3.23
	680	35	20	S51	2.42		2700	35	40	S55	6.61		1000	30	30	S43	3.53
	820	22	35	S24	2.96		2700	35	50	S57	5.40		1000	35	25	S52	3.46
	820	22	40	S25	2.50		3300	35	45	S56	7.60		1200	22	50	S27	4.11
	820	25	30	S33	2.96		3900	35	50	S57	8.61		1200	25	40	S35	3.94
	820	25	35	S34	2.50								1200	25	45	S36	4.13
	820	30	20	S41	2.56								1200	25	50	S37	3.30
	820	30	25	S42	3.13								1200	30	30	S43	3.87
	820	35	20	S51	2.66								1200	30	35	S44	4.04
	1000	22	40	S25	3.43								1200	35	25	S52	3.79
	1000	22	50	S27	2.90								1200	35	30	S53	4.07
	1000	25	30	S33	3.27								1500	25	50	S37	4.80
	1000	25	35	S34	3.47								1500	30	35	S44	4.52
1000	25	40	S35	2.80						1500	30	45	S46	4.90			
1000	30	25	S42	3.30						1500	35	30	S53	4.56			
1000	30	30	S43	3.54						1500	35	35	S54	4.76			
1000	35	20	S51	2.94						1800	30	40	S45	5.14			
1000	35	25	S52	3.46						1800	30	45	S46	5.36			
1200	22	45	S26	3.96						1800	30	50	S47	4.30			
1200	25	35	S34	3.80						1800	35	35	S54	5.21			
1200	25	45	S36	4.13						1800	35	40	S55	4.30			
1200	30	30	S43	3.87						2200	30	45	S46	5.93			
1200	30	35	S44	3.30						2200	30	50	S47	6.17			
1200	35	25	S52	3.79						2200	35	35	S54	5.76			
1500	22	50	S27	4.60						2200	35	40	S55	5.97			
1500	25	40	S35	4.41						2200	35	45	S56	4.80			
1500	25	50	S37	4.80						3300	35	50	S57	7.92			
1500	30	30	S43	4.33													

(Note) Rated ripple current : 85°C , 120Hz ; ESR. : 20°C , 120Hz

NOTE : Design, Specifications are subject to change without notice.
It is recommended that you shall obtain technical specifications from ELNA to ensure that the component is suitable for your use.

LA5,LT5 LARGE CAPACITANCE ALUMINUM ELECTROLYTIC CAPACITORS **ELNA**

Standard Ratings

Rated voltage (V)	Rated capacitance (μF)	Case (mm)		Casing Symbol	Rated ripple current (Arms)	Rated voltage (V)	Rated capacitance (μF)	Case (mm)		Casing Symbol	Rated ripple current (Arms)	Rated voltage (V)	Rated capacitance (μF)	Case (mm)		Casing Symbol	Rated ripple current (Arms)	
		D	L					D	L					D	L			
200	180	22	20	S21	1.00	200	1500	35	30	S53	4.56	250	680	35	25	S52	2.85	
	220	22	20	S21	1.34		1500	35	35	S54	4.75		680	35	30	S53	2.60	
	270	22	20	S21	1.41		1500	35	40	S55	3.90		820	22	50	S27	3.40	
	270	22	25	S22	1.30		1800	30	45	S46	5.35		820	25	40	S35	3.26	
	270	25	20	S31	1.47		1800	35	35	S54	5.20		820	25	45	S36	3.42	
	330	22	25	S22	1.77		1800	35	45	S56	4.40		820	30	30	S43	3.20	
	330	25	20	S31	1.62		2200	30	50	S47	6.16		820	30	35	S44	3.34	
	390	22	25	S22	1.92		2200	35	40	S55	5.97		820	30	40	S45	2.90	
	390	22	30	S23	1.60		2200	35	45	S56	6.20		820	35	25	S52	3.13	
	390	25	20	S31	1.69		2200	35	50	S57	5.00		820	35	30	S53	3.36	
	390	25	25	S32	2.03		2700	35	45	S56	6.87		820	35	35	S54	2.90	
	390	30	20	S41	1.70		250	150	22	20	S21		1.10	1000	25	50	S37	3.92
	470	22	25	S22	2.11			180	22	20	S21		1.15	1000	30	35	S44	3.69
	470	22	30	S23	2.23			180	25	20	S31		1.20	1000	30	40	S45	3.83
	470	22	35	S24	1.90	220		22	20	S21	1.24	1000	30	45	S46	3.30		
	470	25	25	S32	2.23	220		22	25	S22	1.44	1000	35	30	S53	3.72		
	470	30	20	S41	1.94	220		25	20	S31	1.33	1000	35	35	S54	3.88		
	560	22	30	S23	2.43	270		22	25	S22	1.60	1000	35	40	S55	3.30		
	560	22	35	S24	2.44	270		22	30	S23	1.40	1200	30	40	S45	4.20		
	560	22	40	S25	2.10	270		25	20	S31	1.40	1200	30	45	S46	4.38		
560	25	25	S32	2.43	270	25		25	S32	1.40	1200	30	50	S47	3.70			
560	25	30	S33	2.45	270	30		20	S41	1.40	1200	35	35	S54	4.25			
560	30	20	S41	2.11	330	22		25	S22	1.77	1200	35	45	S56	3.70			
560	30	25	S42	2.10	330	22		30	S23	1.87	1200	35	50	S47	5.08			
560	35	20	S51	2.20	330	22		35	S24	1.60	1500	30	50	S47	5.08			
680	22	35	S24	2.69	330	25		25	S32	1.87	1500	35	40	S55	4.93			
680	22	45	S26	2.40	330	30		20	S41	1.63	1500	35	50	S57	4.20			
680	25	30	S33	2.70	390	22	30	S23	2.03	1800	35	45	S56	5.62				
680	25	35	S34	2.86	390	22	35	S24	2.04	1800	35	50	S57	5.85				
680	30	25	S42	2.86	390	22	40	S25	1.80	2200	35	50	S57	6.47				
680	35	20	S51	2.42	390	25	25	S32	2.03	315	100	22	20	S21	0.90			
820	22	40	S25	3.11	390	25	30	S33	2.04		120	22	20	S21	0.94			
820	22	50	S27	2.60	390	30	20	S41	1.77		120	25	20	S31	0.88			
820	25	35	S34	3.14	390	30	25	S42	1.80		150	22	20	S21	1.02			
820	25	40	S35	2.60	390	35	20	S51	1.84		150	22	25	S22	1.20			
820	30	25	S42	3.00	470	22	35	S24	2.24		150	25	20	S31	1.10			
820	30	30	S43	3.20	470	22	45	S26	2.00		180	22	25	S22	1.31			
820	35	20	S51	2.66	470	25	30	S33	2.24		180	22	30	S23	1.38			
820	35	25	S52	3.13	470	25	35	S34	2.00		180	25	20	S31	1.15			
1000	22	45	S26	3.61	470	25	35	S34	2.00		180	25	25	S32	1.38			
1000	25	40	S35	3.60	470	30	25	S42	2.37		180	30	20	S41	1.20			
1000	25	50	S37	3.00	470	35	20	S51	2.02		220	22	25	S22	1.45			
1000	30	30	S43	3.53	560	22	40	S25	2.57		220	22	30	S23	1.53			
1000	30	35	S44	3.00	560	22	50	S27	2.20		220	22	35	S24	1.30			
1000	35	25	S52	3.46	560	25	30	S33	2.44		220	25	20	S31	1.32			
1000	35	30	S53	3.00	560	25	35	S34	2.60		220	25	25	S32	1.53			
1200	22	50	S27	4.11	560	25	40	S35	2.20	220	30	20	S41	1.33				
1200	25	45	S36	4.13	560	30	25	S42	2.48	270	22	30	S23	1.69				
1200	30	35	S44	4.04	560	30	30	S43	2.64	270	22	35	S24	1.70				
1200	30	40	S45	3.40	560	35	20	S51	2.20	270	22	40	S25	1.50				
1200	35	25	S52	3.79	560	35	25	S52	2.59	270	25	25	S32	1.69				
1200	35	30	S53	4.08	680	22	45	S26	2.98	270	25	30	S33	1.70				
1200	35	35	S54	3.40	680	25	35	S34	2.86	270	30	20	S41	1.47				
1500	25	50	S37	4.80	680	25	40	S35	2.97	270	30	25	S42	1.50				
1500	30	40	S45	4.69	680	25	45	S36	2.50	270	35	20	S51	1.69				
1500	30	50	S47	4.00	680	30	30	S43	2.91	330	22	35	S24	1.88				

(Note) Rated ripple current : 85°C , 120Hz ; ESR. : 20°C , 120Hz

NOTE : Design, Specifications are subject to change without notice.
It is recommended that you shall obtain technical specifications from ELNA to ensure that the component is suitable for your use.

LA5,LT5 LARGE CAPACITANCE ALUMINUM ELECTROLYTIC CAPACITORS **ELNA**

Standard Ratings

Rated voltage (V)	Rated capacitance (μF)	Case (mm)		Casing Symbol	Rated ripple current (Arms)	Rated voltage (V)	Rated capacitance (μF)	Case (mm)		Casing Symbol	Rated ripple current (Arms)	Rated voltage (V)	Rated capacitance (μF)	Case (mm)		Casing Symbol	Rated ripple current (Arms)
		D	L					D	L					D	L		
315	330	22	45	S26	1.70	315	1500	35	50	S57	5.34	350	390	25	50	S37	1.90
	330	25	30	S33	1.88		68	22	20	S21	0.61		390	30	30	S43	2.20
	330	25	35	S34	1.96		82	22	20	S21	0.81		390	30	40	S45	1.90
	330	30	20	S41	1.62		100	22	20	S21	0.85		390	35	25	S52	2.16
	330	30	25	S42	1.99		100	22	25	S22	0.78		390	35	30	S53	1.90
	330	35	20	S51	1.87		100	25	20	S31	0.77		470	22	50	S27	2.57
	390	22	35	S24	2.04		120	22	20	S21	0.91		470	25	40	S35	2.47
	390	22	40	S25	2.14		120	22	25	S22	1.07		470	25	45	S36	2.58
	390	25	30	S33	2.04		120	25	20	S31	0.97		470	30	30	S43	2.42
	390	25	35	S34	2.14		150	22	25	S22	1.20		470	30	35	S44	2.53
	390	25	40	S35	1.80		150	22	30	S23	1.26		470	30	45	S46	2.10
	390	30	25	S42	2.08		150	25	20	S31	1.09		470	35	25	S52	2.37
	390	30	30	S43	2.20		150	25	25	S32	0.99		470	35	30	S53	2.55
	390	35	25	S52	2.16		150	30	20	S41	1.00		470	35	35	S54	2.20
	470	22	40	S25	2.35		180	22	25	S22	1.31		560	25	45	S36	2.82
	470	22	45	S26	2.48		180	22	30	S23	1.37		560	25	50	S37	2.93
	470	25	35	S34	2.34		180	22	35	S24	1.10		560	30	35	S44	2.76
	470	25	40	S35	2.46		180	25	20	S31	1.15		560	30	40	S45	2.87
	470	25	50	S37	2.10		180	25	25	S32	1.38		560	30	50	S47	2.40
	470	30	25	S42	2.23		180	25	30	S33	1.10		560	35	30	S53	2.79
	470	30	30	S43	2.42		180	30	20	S41	1.20		560	35	35	S54	2.90
	470	30	35	S44	2.10		180	35	20	S51	1.20		560	35	40	S55	2.50
	470	35	25	S52	2.37		220	22	30	S23	1.52		680	30	40	S45	3.16
	470	35	30	S53	2.55		220	22	35	S24	1.53		680	30	45	S46	3.30
	560	22	45	S26	2.70		220	22	40	S25	1.30		680	35	30	S53	3.07
	560	22	50	S27	2.81		220	25	25	S32	1.53		680	35	35	S54	3.20
	560	25	40	S35	2.69		220	25	30	S33	1.54		680	35	45	S56	2.80
	560	25	50	S37	2.93		220	25	35	S34	1.30		820	30	45	S46	3.62
	560	30	30	S43	2.64		220	30	20	S41	1.33		820	30	50	S47	3.76
	560	30	35	S44	2.76		220	30	25	S42	1.30		820	35	35	S54	3.51
	560	30	40	S45	2.40		220	35	20	S51	1.38		820	35	40	S55	3.65
	560	35	25	S52	2.59		270	22	35	S24	1.70		1000	35	40	S55	4.03
	560	35	30	S53	2.79		270	22	40	S25	1.78		1000	35	45	S56	4.18
	560	35	35	S54	2.50		270	22	50	S27	1.50		1200	35	50	S57	4.78
	680	25	45	S36	3.11		270	25	25	S32	1.69		56	22	20	S21	0.54
	680	25	50	S37	3.23		270	25	30	S33	1.70		82	22	20	S21	0.82
	680	30	35	S44	3.04		270	25	40	S35	1.50		82	22	25	S22	0.69
	680	30	40	S45	3.16		270	30	20	S41	1.47		82	25	20	S31	0.69
	680	30	45	S46	2.70		270	30	25	S42	1.71		100	22	20	S21	0.91
	680	35	30	S53	3.07		270	30	30	S43	1.50		100	22	25	S22	1.07
680	35	35	S54	3.20	270	35	20	S51	1.53	100	25	20	S31	0.99			
680	35	40	S55	2.80	270	35	25	S52	1.60	120	22	25	S22	1.17			
820	25	50	S37	3.55	330	22	40	S25	1.97	120	22	30	S23	0.86			
820	30	40	S45	3.47	330	22	50	S27	2.15	120	25	20	S31	1.03			
820	30	45	S46	3.62	330	25	30	S33	1.88	120	25	25	S32	0.87			
820	35	35	S54	3.51	330	25	35	S34	2.00	120	30	20	S41	0.93			
820	35	40	S55	3.65	330	25	45	S36	1.70	150	22	25	S22	1.31			
820	35	45	S56	3.10	330	30	25	S42	1.85	150	22	30	S23	1.35			
1000	30	45	S46	4.00	330	30	30	S43	2.03	150	22	35	S24	1.00			
1000	30	50	S47	4.16	330	30	35	S44	1.70	150	25	20	S31	1.20			
1000	35	40	S55	4.03	330	35	20	S51	1.69	150	25	25	S32	1.35			
1000	35	45	S56	4.20	330	35	25	S52	1.99	150	25	30	S33	1.00			
1000	35	50	S57	3.50	390	22	45	S26	2.26	150	30	20	S41	1.21			
1200	30	50	S47	4.56	390	22	50	S27	2.34	150	35	20	S51	1.20			
1200	35	45	S56	4.60	390	25	35	S34	2.17	180	22	30	S23	1.52			
1200	35	50	S57	4.78	390	25	40	S35	2.25	180	22	35	S24	1.53			

(Note) Rated ripple current : 85°C , 120Hz ; ESR. : 20°C , 120Hz

NOTE : Design, Specifications are subject to change without notice.
It is recommended that you shall obtain technical specifications from ELNA to ensure that the component is suitable for your use.

LA5,LT5 LARGE CAPACITANCE ALUMINUM ELECTROLYTIC CAPACITORS **ELNA**

Standard Ratings

Rated voltage (V)	Rated capacitance (μF)	Case (mm)		Casing Symbol	Rated ripple current (Arms)	Rated voltage (V)	Rated capacitance (μF)	Case (mm)		Casing Symbol	Rated ripple current (Arms)	Rated voltage (V)	Rated capacitance (μF)	Case (mm)		Casing Symbol	Rated ripple current (Arms)
		D	L					D	L					D	L		
400	180	22	40	S25	1.10	400	470	35	30	S53	2.80	450	180	25	40	S35	1.20
	180	25	25	S32	1.52		470	35	35	S54	2.93		180	30	25	S42	1.58
	180	25	30	S33	1.53		470	35	40	S55	2.30		180	30	30	S43	1.20
	180	25	35	S34	1.10		560	30	40	S45	3.15		180	35	20	S51	1.37
	180	30	20	S41	1.32		560	30	45	S46	3.29		180	35	25	S52	1.30
	180	30	25	S42	1.20		560	35	30	S53	3.06		220	22	40	S25	1.77
	180	35	20	S51	1.37		560	35	35	S54	3.19		220	25	30	S33	1.69
	220	22	30	S23	1.68		560	35	45	S56	2.60		220	25	35	S34	1.79
	220	22	35	S24	1.69		680	30	45	S46	3.63		220	25	50	S37	1.40
	220	22	45	S26	1.30		680	30	50	S47	3.77		220	30	25	S42	1.68
	220	25	25	S32	1.68		680	35	35	S54	3.52		220	30	30	S43	1.82
	220	25	30	S33	1.69		680	35	40	S55	3.65		220	30	35	S44	1.40
	220	25	40	S35	1.30		680	35	50	S57	2.90		220	35	20	S51	1.52
	220	30	20	S41	1.46		820	35	40	S55	4.01		220	35	25	S52	1.79
	220	30	25	S42	1.70		820	35	45	S56	4.17		220	35	30	S53	1.50
	220	30	30	S43	1.40		1000	35	45	S56	4.60		270	22	45	S26	2.07
	220	35	20	S51	1.52		1000	35	50	S57	4.80		270	25	35	S34	1.98
	220	35	25	S52	1.50		47	22	20	S21	0.49		270	25	40	S35	2.05
	270	22	35	S24	1.87		56	25	20	S31	0.57		270	30	30	S43	2.02
	270	22	40	S25	1.96		68	22	20	S21	0.82		270	30	35	S44	2.11
	270	22	45	S26	2.06		68	22	25	S22	0.62		270	30	40	S45	1.60
	270	25	30	S33	1.87		82	22	20	S21	0.85		270	35	25	S52	1.98
	270	25	35	S34	1.98		82	22	25	S22	0.97		270	35	30	S53	2.13
	270	25	45	S36	1.50		82	22	30	S23	0.71		270	35	35	S54	1.70
	270	30	25	S42	1.84		82	25	20	S31	0.87		330	22	50	S27	2.37
270	30	30	S43	2.02	82	25	25	S32	0.72	330	25	40	S35	2.27			
270	30	35	S44	1.60	82	30	20	S41	0.77	330	25	45	S36	2.38			
270	35	20	S51	1.68	100	22	25	S22	1.07	330	30	30	S43	2.23			
270	35	25	S52	1.98	100	22	35	S24	0.82	330	30	35	S44	2.34			
330	22	40	S25	2.17	100	25	20	S31	0.92	330	30	50	S47	1.80			
330	22	45	S26	2.28	100	30	20	S41	0.98	330	35	25	S52	2.19			
330	25	35	S34	2.19	120	22	25	S22	1.17	330	35	30	S53	2.35			
330	25	40	S35	2.27	120	22	30	S23	1.23	330	35	40	S55	1.90			
330	25	50	S37	1.70	120	22	40	S25	0.92	390	25	45	S36	2.59			
330	30	25	S42	2.01	120	25	20	S31	0.99	390	25	50	S37	2.69			
330	30	30	S43	2.24	120	25	25	S32	1.24	390	30	35	S44	2.54			
330	30	40	S45	1.80	120	25	30	S33	0.91	390	30	40	S45	2.63			
330	35	25	S52	2.19	120	30	20	S41	1.07	390	35	30	S53	2.56			
330	35	30	S53	1.80	120	30	25	S42	0.97	390	35	35	S54	2.66			
390	22	50	S27	2.58	120	35	20	S51	1.00	390	35	45	S56	2.20			
390	25	40	S35	2.47	150	22	30	S23	1.38	470	30	40	S45	2.89			
390	25	45	S36	2.59	150	22	35	S24	1.42	470	30	45	S46	3.01			
390	30	30	S43	2.43	150	22	45	S26	1.10	470	35	35	S54	2.92			
390	30	35	S44	2.53	150	25	25	S32	1.39	470	35	40	S55	3.03			
390	30	45	S46	2.00	150	25	30	S33	1.40	470	35	50	S57	2.40			
390	35	25	S52	2.38	150	25	35	S34	1.00	560	30	45	S46	3.29			
390	35	30	S53	2.55	150	30	20	S41	1.20	560	30	50	S47	3.42			
390	35	35	S54	2.10	150	30	25	S42	1.48	560	35	35	S54	3.19			
470	25	45	S36	2.84	150	35	20	S51	1.26	560	35	40	S55	3.31			
470	25	50	S37	2.96	180	22	35	S24	1.56	680	35	45	S56	3.80			
470	30	35	S44	2.78	180	22	50	S27	1.20	680	35	50	S57	3.95			
470	30	40	S45	2.89	180	25	25	S32	1.52	820	35	50	S57	4.34			
470	30	50	S47	2.20	180	25	30	S33	1.53								

(Note) Rated ripple current : 85°C , 120Hz ; ESR. : 20°C , 120Hz

NOTE : Design, Specifications are subject to change without notice.
It is recommended that you shall obtain technical specifications from ELNA to ensure that the component is suitable for your use.

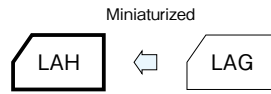
Miniaturized, High-Reliability, High-Ripple Capacitors

GREEN CAP 105°C
2000hours

- High-reliability, high-ripple capacitors.
- Guarantees 2000 hours at 105°C.



Marking color : White print on a black sleeve

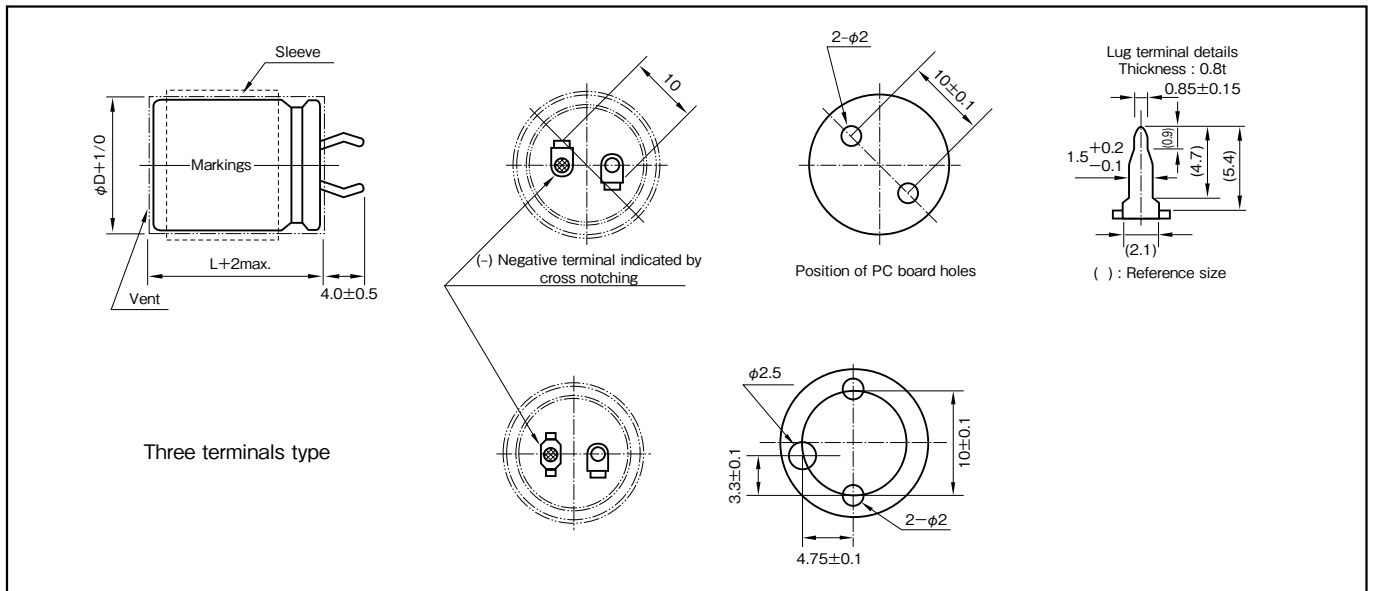


Specifications

Item	Performance	
Category temperature range (°C)	-40 to +105 (-25 to +105 at 160V or more)	
Tolerance at rated capacitance (%)	± 20 (20°C, 120Hz)	
Leakage current (μA) (max.)	3√CV (after 5 minutes) C : Rated capacitance (μF) ; V : Rated voltage (V) (20°C)	
Tangent of loss angle (tanδ)	Rated voltage (V)	16 25 35 50 63 to 100 160 to 250 400 to 450
	tanδ (max.)	0.50 0.40 0.35 0.30 0.20 0.15 0.20 (20°C, 120Hz)
Characteristics at high and low temperature	Rated voltage (V)	16 to 100 160 to 200 250 to 400
	Impedance ratio (max.)	Z-25°C/Z+20°C 4 4 4 Z-40°C/Z+20°C 15 — — (120Hz)
Endurance (105°C) (Applied ripple current)	Test time	2000 hours
	Leakage current	The initial specified value or less
	Percentage of capacitance change	Within ±20% of initial value
	Tangent of the loss angle	200% or less of the initial specified value
Shelf life (105°C)	Test time	1000 hours
	Leakage current	The initial specified value or less
	Percentage of capacitance change	Within ±15% of initial value
	Tangent of the loss angle	150% or less of the initial specified value
Applicable standards	Voltage application treatment : According to JIS C5101-4 4.1 JIS C5101 - 1, - 4 (IEC 60384 - 1, - 4)	

Outline Drawing

Unit: mm



Part numbering system					
series LAH, standard terminal type :400V330μF					
LAH	—	400 V	331	M	S54 # B
Series code	Rated voltage symbol	Rated capacitance symbol	Capacitance tolerance symbol	Casing symbol	Optional symbol
series LTH, three terminals type :400V330μF					
LTH	—	400 V	331	M	S54 # B
Series code	Rated voltage symbol	Rated capacitance symbol	Capacitance tolerance symbol	Casing symbol	Optional symbol

Coefficient of Frequency for Rated Ripple Current

Rated voltage (V)	Frequency (Hz)				
	50	120	1k	10k	30k
100 or less	0.95	1	1.10	1.15	1.15
160 to 250	0.81	1	1.32	1.45	1.50
400 or more	0.77	1	1.30	1.41	1.43

NOTE : Design, Specifications are subject to change without notice.
It is recommended that you shall obtain technical specifications from ELNA to ensure that the component is suitable for your use.

Standard Ratings

Rated voltage (V)	Rated capacitance (μF)	Case (mm)		Casing Symbol	Rated ripple current (Arms)	Rated voltage (V)	Rated capacitance (μF)	Case (mm)		Casing Symbol	Rated ripple current (Arms)	Rated voltage (V)	Rated capacitance (μF)	Case (mm)		Casing Symbol	Rated ripple current (Arms)
		D	L					D	L					D	L		
16	4700	22	20	S21	1.23	16	27000	35	25	S52	3.80	25	10000	30	25	S42	2.48
	5600	22	20	S21	1.35		27000	35	30	S53	3.82		10000	35	20	S51	2.40
	6800	22	20	S21	1.48		33000	22	50	S27	4.00		12000	22	35	S24	2.59
	6800	22	25	S22	1.60		33000	25	45	S36	4.16		12000	22	40	S25	2.63
	6800	25	20	S31	1.53		33000	25	50	S37	4.21		12000	22	45	S26	2.69
	8200	22	25	S22	1.76		33000	30	35	S44	4.15		12000	25	30	S33	2.61
	8200	25	20	S31	1.68		33000	30	40	S45	4.23		12000	25	35	S34	2.67
	8200	30	20	S41	1.84		33000	30	45	S46	4.30		12000	25	40	S35	2.74
	10000	22	25	S22	1.94		33000	35	30	S53	4.22		12000	30	25	S42	2.59
	10000	22	30	S23	1.99		33000	35	35	S54	4.24		12000	30	30	S43	2.70
	10000	25	20	S31	1.85		39000	25	50	S37	4.58		12000	35	20	S51	2.63
	10000	25	25	S32	1.99		39000	30	40	S45	4.60		12000	35	25	S52	2.80
	10000	30	20	S41	2.03		39000	30	45	S46	4.67		15000	22	40	S25	2.94
	12000	22	30	S23	2.18		39000	30	50	S47	4.74		15000	22	45	S26	3.01
	12000	22	35	S24	2.28		39000	35	30	S53	4.59		15000	25	35	S34	2.99
	12000	25	25	S32	2.18		39000	35	35	S54	4.61		15000	25	40	S35	3.06
	12000	25	30	S33	2.30		39000	35	40	S55	4.72		15000	25	45	S36	3.15
	12000	30	20	S41	2.23		47000	30	45	S46	5.13		15000	30	30	S43	3.02
	12000	30	25	S42	2.38		47000	30	50	S47	5.20		15000	30	35	S44	3.13
	12000	35	20	S51	2.38		47000	35	35	S54	5.06		15000	35	25	S52	3.13
	15000	22	30	S23	2.44		47000	35	40	S55	5.18		15000	35	30	S53	3.22
	15000	22	35	S24	2.55		47000	35	45	S56	5.27		18000	22	45	S26	3.29
	15000	22	40	S25	2.64		56000	30	50	S47	5.68		18000	22	50	S27	3.44
	15000	25	25	S32	2.44		56000	35	40	S55	5.66		18000	25	40	S35	3.36
	15000	25	30	S33	2.57		56000	35	45	S56	5.75		18000	25	45	S36	3.45
	15000	25	35	S34	2.68		68000	35	45	S56	6.34		18000	25	50	S37	3.54
	15000	30	25	S42	2.66		68000	35	50	S57	6.59		18000	30	30	S43	3.31
	15000	35	20	S51	2.66		82000	35	50	S57	7.23		18000	30	35	S44	3.43
	18000	22	35	S24	2.79		3300	22	20	S21	1.21		18000	30	40	S45	3.54
	18000	22	40	S25	2.89		3900	22	20	S21	1.31		18000	35	25	S52	3.43
	18000	22	45	S26	2.98		4700	22	20	S21	1.44		18000	35	30	S53	3.53
	18000	25	30	S33	2.82		4700	22	25	S22	1.55		22000	22	50	S27	3.80
	18000	25	35	S34	2.94		4700	25	20	S31	1.48		22000	25	45	S36	3.81
	18000	25	40	S35	3.04		5600	22	25	S22	1.69		22000	25	50	S37	3.91
	18000	30	25	S42	2.91		5600	25	20	S31	1.61		22000	30	35	S44	3.79
	18000	30	30	S43	3.00		5600	30	20	S41	1.74		22000	30	40	S45	3.91
	18000	35	20	S51	2.91		6800	22	25	S22	1.86		22000	30	45	S46	4.24
	18000	35	25	S52	3.10		6800	22	30	S23	1.91		22000	35	30	S53	3.90
	22000	22	40	S25	3.20		6800	25	20	S31	1.78		22000	35	35	S54	3.96
	22000	22	45	S26	3.29		6800	25	25	S32	1.91		27000	25	50	S37	4.34
	22000	25	35	S34	3.25		6800	30	20	S41	1.92		27000	30	40	S45	4.34
	22000	25	40	S35	3.36		8200	22	30	S23	2.10		27000	30	45	S46	4.70
	22000	25	45	S36	3.40		8200	22	35	S24	2.14		27000	35	35	S54	4.39
	22000	30	30	S43	3.32		8200	25	25	S32	2.10		27000	35	40	S55	4.56
	22000	30	35	S44	3.39		8200	25	30	S33	2.16		27000	35	45	S56	4.75
22000	35	25	S52	3.43	8200	30	20	S41	2.10	33000	30	45	S46	5.19			
27000	22	45	S26	3.65	8200	30	25	S42	2.25	33000	30	50	S47	5.30			
27000	22	50	S27	3.70	8200	35	20	S51	2.17	33000	35	35	S54	4.85			
27000	25	40	S35	3.72	10000	22	30	S23	2.32	33000	35	40	S55	5.04			
27000	25	45	S36	3.77	10000	22	35	S24	2.36	33000	35	50	S57	5.39			
27000	25	50	S37	3.81	10000	22	40	S25	2.40	39000	30	50	S47	5.58			
27000	30	30	S43	3.67	10000	25	25	S32	2.32	39000	35	40	S55	5.48			
27000	30	35	S44	3.76	10000	25	30	S33	2.39	39000	35	45	S56	5.71			
27000	30	40	S45	3.83	10000	25	35	S34	2.44	47000	35	50	S57	6.43			

(Note) Rated ripple current : 105°C , 120Hz

NOTE : Design, Specifications are subject to change without notice.
It is recommended that you shall obtain technical specifications from ELNA to ensure that the component is suitable for your use.

Standard Ratings

Rated voltage (V)	Rated capacitance (μF)	Case (mm)		Casing Symbol	Rated ripple current (Arms)	Rated voltage (V)	Rated capacitance (μF)	Case (mm)		Casing Symbol	Rated ripple current (Arms)	Rated voltage (V)	Rated capacitance (μF)	Case (mm)		Casing Symbol	Rated ripple current (Arms)
		D	L					D	L					D	L		
35	2200	22	20	S21	1.08	35	12000	35	25	S52	3.14	50	4700	22	45	S26	2.56
	2700	22	20	S21	1.20		12000	35	30	S53	3.20		4700	25	30	S33	2.39
	3300	22	20	S21	1.33		15000	25	45	S36	3.58		4700	25	35	S34	2.50
	3300	22	25	S22	1.43		15000	25	50	S37	3.64		4700	30	25	S42	2.44
	3300	25	20	S31	1.39		15000	30	35	S44	3.58		4700	30	30	S43	2.58
	3900	22	25	S22	1.55		15000	30	40	S45	3.67		4700	35	20	S51	2.51
	3900	22	30	S23	1.65		15000	30	45	S46	3.74		4700	35	25	S52	2.67
	3900	25	20	S31	1.51		15000	35	30	S53	3.58		5600	22	40	S25	2.70
	3900	30	20	S41	1.65		15000	35	35	S54	3.69		5600	22	45	S26	2.79
	4700	22	25	S22	1.71		18000	25	50	S37	3.99		5600	22	50	S27	2.89
	4700	22	30	S23	1.81		18000	30	40	S45	4.02		5600	25	35	S34	2.73
	4700	25	20	S31	1.66		18000	30	45	S46	4.10		5600	25	40	S35	2.81
	4700	25	25	S32	1.78		18000	35	30	S53	3.92		5600	25	40	S35	2.81
	4700	30	20	S41	1.82		18000	35	35	S54	4.04		5600	30	25	S42	2.66
	5600	22	30	S23	1.98		18000	35	40	S55	4.16		5600	30	30	S43	2.82
	5600	22	35	S24	2.02		22000	30	45	S46	4.53		5600	30	35	S44	2.95
	5600	25	25	S32	1.94		22000	30	50	S47	4.71		5600	35	25	S52	2.91
	5600	25	30	S33	2.04		22000	35	35	S54	4.47		6800	22	45	S26	3.08
	5600	30	20	S41	1.98		22000	35	40	S55	4.60		6800	22	50	S27	3.18
	5600	30	25	S42	2.12		22000	35	50	S57	4.92		6800	25	40	S35	3.10
	5600	35	20	S51	2.16		27000	30	50	S47	5.22		6800	25	45	S36	3.24
	6800	22	35	S24	2.23		27000	35	40	S55	5.09		6800	25	50	S37	3.37
	6800	22	40	S25	2.28		27000	35	45	S56	5.24		6800	30	30	S43	3.10
	6800	25	25	S32	2.14		33000	35	45	S56	5.80		6800	30	35	S44	3.25
	6800	25	30	S33	2.25		33000	35	50	S57	6.03		6800	30	40	S45	3.39
	6800	25	35	S34	2.31		1200	22	20	S21	0.99		6800	30	40	S45	3.39
	6800	30	25	S42	2.34		1500	22	20	S21	1.11		6800	35	25	S52	3.21
	6800	35	20	S51	2.38		1800	22	20	S21	1.22		8200	22	50	S27	3.50
	8200	22	35	S24	2.44		1800	22	25	S22	1.31		8200	25	40	S35	3.40
	8200	22	40	S25	2.50		1800	25	20	S31	1.29		8200	25	45	S36	3.56
	8200	22	50	S27	2.67		2200	22	25	S22	1.45		8200	30	35	S44	3.57
	8200	25	30	S33	2.47		2200	25	20	S31	1.43		8200	30	40	S45	3.72
	8200	25	35	S34	2.54		2700	22	25	S22	1.60		8200	30	45	S46	3.89
	8200	25	40	S35	2.60		2700	22	30	S23	1.70		8200	35	30	S53	3.63
	8200	30	25	S42	2.45		2700	25	20	S31	1.58		8200	35	35	S54	3.66
8200	30	30	S43	2.56	2700	25	25	S32	1.70	10000	25	45	S36	3.93			
8200	35	20	S51	2.61	2700	30	20	S41	1.73	10000	25	50	S37	4.09			
8200	35	25	S52	2.78	3300	22	30	S23	1.88	10000	25	50	S37	4.09			
10000	22	40	S25	2.76	3300	22	35	S24	1.98	10000	30	40	S45	3.90			
10000	22	45	S26	2.83	3300	25	25	S32	1.88	10000	30	45	S46	4.00			
10000	25	35	S34	2.80	3300	25	30	S33	2.00	10000	30	50	S47	4.09			
10000	25	40	S35	2.87	3300	30	20	S41	1.91	10000	35	30	S53	4.01			
10000	25	45	S36	2.92	3300	30	30	S41	1.91	10000	35	35	S54	4.05			
10000	30	30	S43	2.83	3900	22	30	S23	2.04	10000	35	40	S55	4.07			
10000	30	35	S44	2.92	3900	22	35	S24	2.15	12000	30	45	S46	4.30			
10000	35	25	S52	3.07	3900	22	40	S25	2.25	12000	30	50	S47	4.68			
12000	22	45	S26	3.09	3900	25	25	S32	2.04	12000	35	35	S54	4.43			
12000	22	50	S27	3.23	3900	25	30	S33	2.17	12000	35	40	S55	4.46			
12000	25	40	S35	3.15	3900	25	35	S34	2.28	12000	35	45	S56	4.50			
12000	25	45	S36	3.20	3900	30	20	S41	2.08	15000	30	50	S47	4.95			
12000	25	50	S37	3.26	3900	30	25	S42	2.22	15000	35	40	S55	4.98			
12000	30	30	S43	3.10	3900	30	25	S42	2.22	15000	35	45	S56	5.03			
12000	30	35	S44	3.20	3900	35	20	S51	2.28	18000	35	45	S56	5.51			
12000	30	40	S45	3.28	4700	22	35	S24	2.36	18000	35	50	S57	5.73			
					4700	22	40	S25	2.47	22000	35	50	S57	6.33			

(Note) Rated ripple current : 105°C , 120Hz

NOTE : Design, Specifications are subject to change without notice.
It is recommended that you shall obtain technical specifications from ELNA to ensure that the component is suitable for your use.

Standard Ratings

Rated voltage (V)	Rated capacitance (μF)	Case (mm)		Casing Symbol	Rated ripple current (Arms)	Rated voltage (V)	Rated capacitance (μF)	Case (mm)		Casing Symbol	Rated ripple current (Arms)	Rated voltage (V)	Rated capacitance (μF)	Case (mm)		Casing Symbol	Rated ripple current (Arms)
		D	L					D	L					D	L		
63	820	22	20	S21	0.96	63	4700	35	30	S53	2.83	80	2200	22	45	S26	2.09
	1000	22	20	S21	1.06		5600	25	45	S36	3.04		2200	25	30	S33	1.96
	1200	22	20	S21	1.11		5600	25	50	S37	3.14		2200	25	35	S34	2.01
	1200	22	25	S22	1.25		5600	30	35	S44	3.06		2200	30	25	S42	2.00
	1200	25	20	S31	1.16		5600	30	40	S45	3.17		2200	30	30	S43	2.10
	1500	22	25	S22	1.40		5600	30	45	S46	3.28		2200	35	20	S51	2.04
	1500	25	20	S31	1.29		5600	35	30	S53	3.09		2200	35	25	S52	2.17
	1800	22	25	S22	1.46		5600	35	35	S54	3.24		2700	22	40	S25	2.24
	1800	22	30	S23	1.60		6800	25	50	S37	3.46		2700	22	45	S26	2.32
	1800	25	20	S31	1.42		6800	30	40	S45	3.49		2700	25	35	S34	2.23
	1800	25	25	S32	1.52		6800	30	45	S46	3.61		2700	25	40	S35	2.32
	1800	30	20	S41	1.47		6800	30	50	S47	3.73		2700	25	45	S36	2.43
	2200	22	30	S23	1.68		6800	35	30	S53	3.40		2700	30	25	S42	2.22
	2200	22	35	S24	1.73		6800	35	35	S54	3.57		2700	30	30	S43	2.33
	2200	25	25	S32	1.68		6800	35	40	S55	3.71		2700	30	35	S44	2.43
	2200	25	30	S33	1.75		8200	30	45	S46	3.97		2700	35	25	S52	2.40
	2200	30	20	S41	1.63		8200	30	50	S47	4.10		3300	22	45	S26	2.56
	2200	35	20	S51	1.85		8200	35	35	S54	3.92		3300	22	50	S27	2.67
	2700	22	30	S23	1.86		8200	35	40	S55	4.07		3300	25	35	S34	2.46
	2700	22	35	S24	1.92		8200	35	45	S56	4.16		3300	25	40	S35	2.57
	2700	22	40	S25	1.97		10000	30	50	S47	4.52		3300	25	50	S37	2.76
	2700	25	25	S32	1.86		10000	35	40	S55	4.50		3300	30	30	S43	2.57
	2700	25	30	S33	1.94		10000	35	45	S56	4.59		3300	30	35	S44	2.69
	2700	25	35	S34	1.99		10000	35	50	S57	4.69		3300	30	40	S45	2.78
	2700	30	20	S41	1.81		12000	35	45	S56	5.03		3300	35	25	S52	2.66
	2700	30	25	S42	1.93		12000	35	50	S57	5.14		3300	35	30	S53	2.71
	2700	35	20	S51	2.05		15000	35	50	S57	5.74		3900	22	50	S27	2.90
3300	22	35	S24	2.12	560	22	20	S21	0.85	3900	25	40	S35	2.79			
3300	22	40	S25	2.18	680	22	20	S21	0.94	3900	25	45	S36	2.92			
3300	22	50	S27	2.32	820	22	20	S21	1.03	3900	25	50	S37	3.00			
3300	25	30	S33	2.14	820	22	25	S22	1.11	3900	30	35	S44	2.92			
3300	25	35	S34	2.20	820	25	20	S31	1.07	3900	30	40	S45	3.02			
3300	25	40	S35	2.27	1000	22	25	S22	1.23	3900	30	45	S46	3.12			
3300	30	25	S42	2.13	1000	25	20	S31	1.18	3900	35	30	S53	2.95			
3300	30	30	S43	2.24	1200	22	25	S22	1.34	3900	35	35	S54	3.07			
3300	35	20	S51	2.26	1200	22	30	S23	1.39	4700	25	50	S37	3.29			
3300	35	25	S52	2.41	1200	25	20	S31	1.29	4700	30	40	S45	3.32			
3900	22	40	S25	2.37	1200	25	25	S32	1.39	4700	30	45	S46	3.43			
3900	22	45	S26	2.42	1200	30	20	S41	1.38	4700	30	50	S47	3.56			
3900	25	35	S34	2.39	1500	22	30	S23	1.55	4700	35	30	S53	3.23			
3900	25	40	S35	2.47	1500	22	35	S24	1.61	4700	35	35	S54	3.37			
3900	25	45	S36	2.54	1500	25	25	S32	1.55	4700	35	40	S55	3.50			
3900	30	25	S42	2.32	1500	25	30	S33	1.62	5600	30	45	S46	3.74			
3900	30	30	S43	2.44	1500	30	20	S41	1.55	5600	30	50	S47	3.89			
3900	30	35	S44	2.55	1500	35	20	S51	1.68	5600	35	35	S54	3.68			
3900	35	25	S52	2.62	1800	22	30	S23	1.70	5600	35	40	S55	3.82			
4700	22	45	S26	2.65	1800	22	35	S24	1.76	5600	35	45	S56	3.87			
4700	22	50	S27	2.77	1800	22	40	S25	1.83	6800	30	50	S47	4.03			
4700	25	40	S35	2.71	1800	25	25	S32	1.70	6800	35	40	S55	3.93			
4700	25	45	S36	2.79	1800	25	30	S33	1.77	6800	35	45	S56	4.03			
4700	25	50	S37	2.88	1800	30	20	S41	1.69	6800	35	50	S57	4.19			
4700	30	30	S43	2.67	1800	30	25	S42	1.81	8200	35	45	S56	4.32			
4700	30	35	S44	2.80	1800	35	20	S51	1.84	8200	35	50	S57	4.60			
4700	30	40	S45	2.90	2200	22	35	S24	1.95	10000	35	50	S57	5.08			
4700	35	25	S52	2.72	2200	22	40	S25	2.02	12000	35	50	S57	5.14			

(Note) Rated ripple current : 105°C , 120Hz

NOTE : Design, Specifications are subject to change without notice.
It is recommended that you shall obtain technical specifications from ELNA to ensure that the component is suitable for your use.

Standard Ratings

Rated voltage (V)	Rated capacitance (μF)	Case (mm)		Casing Symbol	Rated ripple current (Arms)	Rated voltage (V)	Rated capacitance (μF)	Case (mm)		Casing Symbol	Rated ripple current (Arms)
		D	L					D	L		
100	390	22	20	S21	0.83	100	1800	25	45	S36	2.28
	470	22	20	S21	0.91		1800	30	25	S42	2.09
	560	22	20	S21	0.99		1800	30	30	S43	2.19
	560	22	25	S22	1.07		1800	30	35	S44	2.27
	560	25	20	S31	1.04		1800	35	25	S52	2.27
	680	22	25	S22	1.18		2200	22	45	S26	2.41
	680	25	20	S31	1.14		2200	22	50	S27	2.52
	820	22	25	S22	1.29		2200	25	40	S35	2.46
	820	22	30	S23	1.35		2200	25	45	S36	2.52
	820	25	20	S31	1.26		2200	25	50	S37	2.57
	820	25	25	S32	1.35		2200	30	30	S43	2.42
	820	30	20	S41	1.32		2200	30	35	S44	2.51
	1000	22	30	S23	1.49		2200	30	40	S45	2.59
	1000	22	35	S24	1.54		2200	35	25	S52	2.51
	1000	25	25	S32	1.49		2200	35	30	S53	2.56
	1000	25	30	S33	1.56		2700	25	45	S36	2.79
	1000	30	20	S41	1.46		2700	25	50	S37	2.85
	1000	35	20	S51	1.59		2700	30	35	S44	2.78
	1200	22	30	S23	1.63		2700	30	40	S45	2.87
	1200	22	35	S24	1.69		2700	30	45	S46	2.94
	1200	22	40	S25	1.74		2700	35	30	S53	2.79
	1200	25	25	S32	1.63		2700	35	35	S54	2.90
	1200	25	30	S33	1.71		3300	25	50	S37	3.15
	1200	25	35	S34	1.76		3300	30	40	S45	3.17
	1200	30	20	S41	1.60		3300	30	45	S46	3.25
	1200	30	25	S42	1.71		3300	30	50	S47	3.32
	1200	35	20	S51	1.74		3300	35	30	S53	3.09
	1500	22	35	S24	1.89		3300	35	35	S54	3.21
	1500	22	40	S25	1.95		3300	35	40	S55	3.31
	1500	22	45	S26	1.99		3900	30	45	S46	3.53
1500	25	30	S33	1.91	3900	30	50	S47	3.61		
1500	25	35	S34	1.97	3900	35	35	S54	3.49		
1500	25	40	S35	2.03	3900	35	40	S55	3.60		
1500	30	25	S42	1.91	3900	35	45	S56	3.69		
1500	30	30	S43	2.00	4700	30	50	S47	3.96		
1500	35	20	S51	1.94	4700	35	40	S55	3.95		
1500	35	25	S52	2.07	4700	35	45	S56	4.05		
1800	22	40	S25	2.13	4700	35	50	S57	4.14		
1800	22	45	S26	2.18	5600	35	45	S56	4.42		
1800	25	35	S34	2.16	5600	35	50	S57	4.52		
1800	25	40	S35	2.22	6800	35	50	S57	4.98		

(Note) Rated ripple current : 105°C , 120Hz

Standard Ratings

Rated voltage (V)	Rated capacitance (μF)	Case (mm)		Casing Symbol	Rated ripple current (Arms)	Rated voltage (V)	Rated capacitance (μF)	Case (mm)		Casing Symbol	Rated ripple current (Arms)	Rated voltage (V)	Rated capacitance (μF)	Case (mm)		Casing Symbol	Rated ripple current (Arms)
		D	L					D	L					D	L		
160	330	22	25	S22	1.16	200	330	25	25	S32	1.35	400	120	22	35	S24	0.75
	390	22	30	S23	1.43		390	22	35	S24	1.41		120	25	30	S33	0.70
	470	22	35	S24	1.52		470	22	40	S25	1.50		120	30	25	S42	0.78
	470	25	25	S32	1.55		470	25	30	S33	1.50		150	22	40	S25	0.82
	560	22	40	S25	1.62		470	30	25	S42	1.56		150	25	35	S34	0.73
	560	25	30	S33	1.73		560	22	45	S26	1.58		180	22	50	S27	0.78
	680	22	45	S26	1.70		560	25	35	S34	1.65		180	25	40	S35	0.82
	680	25	35	S34	1.81		680	22	50	S27	1.68		180	30	30	S43	0.83
	680	30	25	S42	1.82		680	25	40	S35	1.80		180	35	25	S52	0.86
	820	22	50	S27	1.81		680	30	30	S43	1.82		220	25	45	S36	0.87
	820	25	40	S35	1.98		680	35	25	S52	1.96		220	30	35	S44	0.86
	820	30	30	S43	1.98		820	25	50	S37	1.87		270	25	50	S37	0.94
	820	35	25	S52	1.93		820	30	35	S44	1.99		270	30	40	S45	0.95
	1000	25	45	S36	2.04		820	35	30	S53	2.07		270	35	30	S53	0.91
	1000	30	35	S44	2.14		1000	30	45	S46	2.22		330	30	45	S46	1.11
	1200	25	50	S37	2.12		1000	35	35	S54	2.22		330	35	35	S54	1.13
	1200	30	40	S45	2.22		1200	30	50	S47	2.89		390	30	50	S47	1.15
	1200	35	30	S53	2.74		1200	35	40	S55	2.42		390	35	40	S55	1.26
	1500	30	45	S46	2.46		1500	35	45	S56	2.59		470	35	45	S56	1.31
	1500	35	35	S54	2.53		1800	35	50	S57	2.70		560	35	50	S57	1.50
1800	35	45	S56	2.98													
2200	35	50	S57	3.10													
180	270	22	25	S22	1.08	250	180	22	25	S22	0.94	450	56	22	25	S22	0.47
	330	22	30	S23	1.30		220	22	30	S23	1.10		68	22	30	S23	0.56
	390	25	25	S32	1.35		220	25	25	S32	1.15		68	25	25	S32	0.65
	470	22	35	S24	1.58		270	22	35	S24	1.13		82	22	35	S24	0.64
	470	25	30	S33	1.62		330	22	40	S25	1.20		100	22	40	S25	0.70
	560	22	40	S25	1.79		330	25	30	S33	1.35		100	25	30	S33	0.70
	560	25	35	S34	1.69		330	30	25	S42	1.30		100	30	25	S42	0.78
	560	30	25	S42	1.67		390	22	45	S26	1.26		120	22	45	S26	0.73
	680	22	50	S27	1.76		390	25	35	S34	1.41		120	25	35	S34	0.73
	680	25	40	S35	1.72		470	22	50	S27	1.37		150	22	50	S27	0.78
	680	30	30	S43	1.74		470	25	40	S35	1.52		150	25	40	S35	0.82
	680	35	25	S52	1.92		470	30	30	S43	1.36		150	30	30	S43	0.83
	820	25	45	S36	1.78		470	35	25	S52	1.40		150	35	25	S52	0.86
	820	30	35	S44	1.85		560	25	45	S36	1.59		180	25	45	S36	0.87
	1000	25	50	S37	1.91		560	30	35	S44	1.57		180	30	35	S44	0.86
	1000	30	40	S45	2.01		560	35	30	S53	1.56		220	25	50	S37	0.94
	1000	35	30	S53	2.16		680	25	50	S37	2.20		220	30	40	S45	0.95
	1200	30	45	S46	2.19		680	30	40	S45	1.76		220	35	30	S53	0.91
	1200	35	35	S54	2.34		820	30	45	S46	1.83		270	30	45	S46	1.11
	1500	30	50	S47	2.36		820	35	35	S54	2.35		270	35	35	S54	1.13
1500	35	40	S55	2.56	1000	30	50	S47	1.87	330	30	50	S47	1.15			
1800	35	45	S56	2.67	1000	35	40	S55	2.90	330	35	40	S55	1.26			
					1200	35	45	S56	3.30	390	35	45	S56	1.31			
200	220	22	25	S22	1.08	400	68	22	25	S22	0.47	470	35	50	S57	1.50	
	330	22	30	S23	1.30		82	22	30	S23	0.56						
							82	25	25	S32	0.65						

(Note) Rated ripple current : 105°C , 120Hz

NOTE : Design, Specifications are subject to change without notice.
It is recommended that you shall obtain technical specifications from ELNA to ensure that the component is suitable for your use.

Ultra Miniaturized, High-Reliability, High-Ripple Capacitors

GREEN
CAP

105°C
2000hours

- Best suited as input filters for various power supplies.
- Guarantees 2000 hours at 105°C.
- Best suited to On-Board-Charger for EV, PHEV.



Marking color : White print on a black sleeve

Miniaturized, High ripple

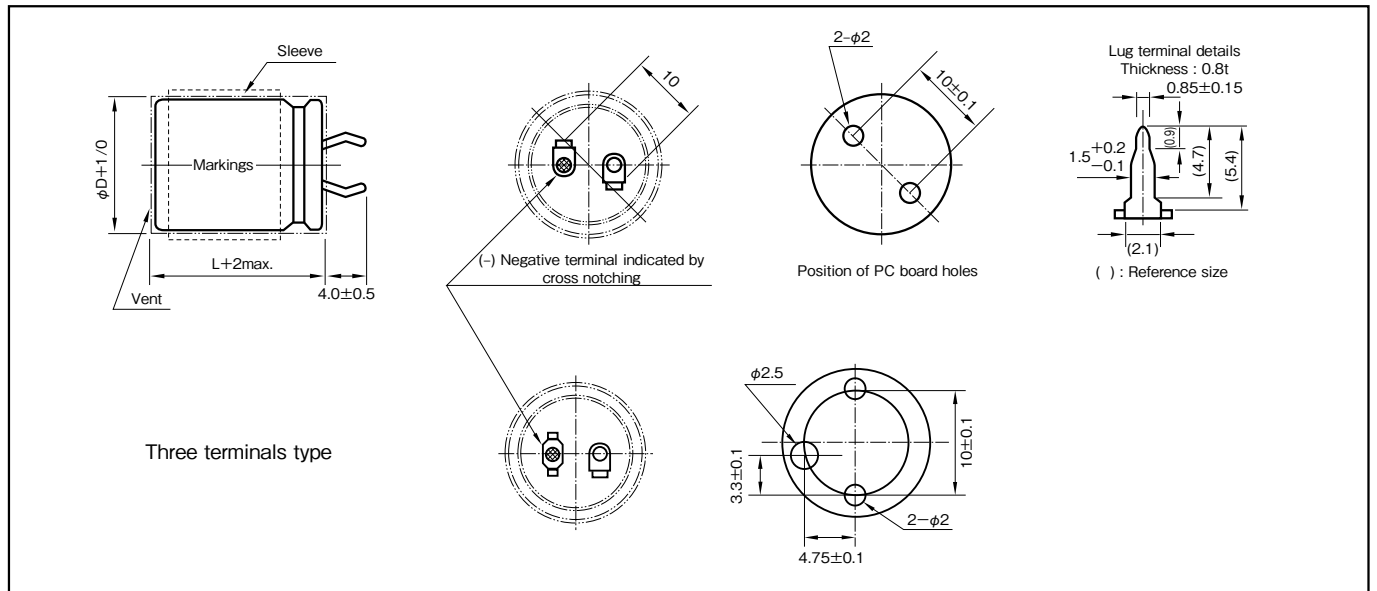


Specifications

Item	Performance	
Category temperature range (°C)	-25 to +105	
Tolerance at rated capacitance (%)	±20 (20°C, 120Hz)	
Leakage current (μA) (max.)	3√CV (after 5 minutes) C : Rated capacitance (μF) ; V : Rated voltage (V) (20°C)	
Tangent of loss angle (tanδ)	Rated voltage (V)	160 to 250
	tanδ (max.)	0.15
Characteristics at high and low temperature	Percentage of capacitance change (%)	Within ±30% of the value at 20°C
	Impedance ratio (max.)	4
Endurance (105°C) (Applied ripple current)	Test time	2000 hours
	Leakage current	The initial specified value or less
	Percentage of capacitance change	Within ±20% of initial value
	Tangent of the loss angle	200% or less of the initial specified value
Shelf life (105°C)	Test time	1000 hours
	Leakage current	The initial specified value or less
	Percentage of capacitance change	Within ±15% of initial value
	Tangent of the loss angle	150% or less of the initial specified value
Applicable standards	Voltage application treatment : According to JIS C5101-4 4.1 JIS C5101 - 1, - 4 (IEC 60384 - 1, - 4)	

Outline Drawing

Unit : mm



Coefficient of Frequency for Rated Ripple Current

Rated voltage (V) \ Frequency (Hz)	50	120	1k	10k	30k
160 to 250	0.81	1	1.32	1.45	1.50
315 or more	0.77	1	1.30	1.41	1.43

Part numbering system						
series LAT, standard terminal type :400V220μF						
LAT	—	400 V	221	M	S52 #	B
Series code	Rated voltage symbol	Rated capacitance symbol	Capacitance tolerance symbol	Casing symbol	Optional symbol	
series LTT, three terminals type :400V220μF						
LTT	—	400 V	221	M	S52 #	B
Series code	Rated voltage symbol	Rated capacitance symbol	Capacitance tolerance symbol	Casing symbol	Optional symbol	

NOTE : Design, Specifications are subject to change without notice.
It is recommended that you shall obtain technical specifications from ELNA to ensure that the component is suitable for your use.

Standard Ratings

Rated voltage (V)	Rated capacitance (μF)	Case (mm)		Casing Symbol	Rated ripple current (Arms)	Rated voltage (V)	Rated capacitance (μF)	Case (mm)		Casing Symbol	Rated ripple current (Arms)	Rated voltage (V)	Rated capacitance (μF)	Case (mm)		Casing Symbol	Rated ripple current (Arms)
		D	L					D	L					D	L		
160	220	22	20	S21	0.90	160	1200	25	45	S36	2.90	180	560	30	20	S41	1.64
	270	22	20	S21	1.00		1200	30	30	S43	2.84		560	35	20	S51	1.66
	270	25	20	S31	1.13		1200	30	35	S44	2.96		680	22	35	S24	1.90
	330	22	20	S21	1.10		1200	35	25	S52	2.69		680	25	30	S33	1.91
	330	25	20	S31	1.25		1500	22	60	S29	3.41		680	30	25	S42	1.86
	390	22	25	S22	1.35		1500	25	45	S36	3.25		680	35	20	S51	1.83
	390	25	20	S31	1.36		1500	25	50	S37	3.38		820	22	40	S25	2.17
	390	30	20	S41	1.37		1500	30	35	S44	3.10		820	25	35	S34	2.14
	470	22	25	S22	1.48		1500	30	40	S45	3.21		820	30	25	S42	2.04
	470	22	30	S23	1.50		1500	35	30	S53	3.06		820	30	30	S43	2.17
	470	25	25	S32	1.53		1800	25	55	S38	3.84		820	35	20	S51	2.01
	470	30	20	S41	1.50		1800	30	40	S45	3.52		820	35	25	S52	2.11
	560	22	30	S23	1.68		1800	30	45	S46	3.91		1000	22	45	S26	2.44
	560	22	35	S24	1.75		1800	35	30	S53	3.35		1000	25	40	S35	2.43
	560	25	25	S32	1.63		1800	35	35	S54	3.52		1000	30	30	S43	2.39
	560	30	20	S41	1.63		2200	30	45	S46	4.03		1000	35	25	S52	2.33
	560	35	20	S51	1.82		2200	30	50	S47	4.16		1200	22	50	S27	2.74
	680	22	35	S24	1.93		2200	35	35	S54	3.89		1200	25	45	S36	2.73
	680	22	40	S25	1.98		2200	35	40	S55	4.36		1200	30	30	S43	2.62
	680	25	30	S33	1.91		2200	35	45	S56	4.59		1200	30	35	S44	2.66
	680	30	20	S41	1.80		2700	30	55	S48	4.76		1200	35	25	S52	2.55
	680	30	25	S42	1.85		2700	35	50	S57	5.03		1200	35	30	S53	2.65
	680	35	20	S51	2.01		3300	35	50	S57	5.47		1500	25	50	S37	3.12
	820	22	35	S24	2.08		3900	35	55	S58	6.18		1500	25	55	S38	3.38
	820	22	40	S25	2.17		220	22	20	S21	0.91		1500	30	40	S45	3.01
	820	22	45	S26	2.19		270	22	20	S21	1.00		1500	35	30	S53	2.96
	820	25	30	S33	2.09		270	25	20	S31	1.14		1500	35	35	S54	3.02
	820	25	35	S34	2.17		330	22	25	S22	1.25		1800	25	60	S39	3.83
	820	30	25	S42	2.03		330	25	20	S31	1.20		1800	30	45	S46	3.42
	820	35	20	S51	2.20		390	22	25	S22	1.35		1800	35	35	S54	3.31
	1000	22	45	S26	2.42		470	22	25	S22	1.49		2200	30	50	S47	3.83
	1000	22	50	S27	2.60		470	22	30	S23	1.55		2200	35	40	S55	3.73
1000	25	35	S34	2.40	470	25	25	S32	1.56	2700	30	60	S49	4.64			
1000	25	40	S35	2.47	470	30	20	S41	1.50	2700	35	45	S56	4.25			
1000	30	30	S43	2.45	560	22	30	S23	1.69	3300	35	55	S58	4.92			
1000	35	25	S52	2.60	560	22	35	S24	1.73	3900	35	60	S59	5.53			
1200	22	50	S27	2.84	560	25	25	S32	1.67								
1200	25	40	S35	2.84	560	25	30	S33	1.74								

(Note) Rated ripple current : 105°C , 120Hz

Standard Ratings

Rated voltage (V)	Rated capacitance (μF)	Case (mm)		Casing Symbol	Rated ripple current (Arms)	Rated voltage (V)	Rated capacitance (μF)	Case (mm)		Casing Symbol	Rated ripple current (Arms)	Rated voltage (V)	Rated capacitance (μF)	Case (mm)		Casing Symbol	Rated ripple current (Arms)
		D	L					D	L					D	L		
200	150	22	20	S21	0.76	200	1200	25	45	S36	2.73	250	470	22	35	S24	1.58
	180	22	20	S21	0.82		1200	25	50	S37	2.82		470	22	40	S25	1.64
	180	25	20	S31	0.93		1200	30	35	S44	2.63		470	25	30	S33	1.61
	220	22	20	S21	0.91		1200	30	40	S45	2.69		470	25	35	S34	1.63
	270	22	20	S21	1.00		1200	35	30	S53	2.63		470	30	25	S42	1.61
	270	25	20	S31	1.09		1500	25	55	S38	3.38		470	35	20	S51	1.55
	330	22	25	S22	1.29		1500	30	40	S45	3.01		560	22	40	S25	1.79
	330	25	20	S31	1.18		1500	30	45	S46	3.12		560	22	45	S26	1.82
	330	30	20	S41	1.26		1500	35	30	S53	2.96		560	25	35	S34	1.77
	390	22	25	S22	1.35		1500	35	35	S54	2.97		560	25	40	S35	1.82
	390	22	30	S23	1.40		1800	30	45	S46	3.42		560	30	25	S42	1.69
	390	25	25	S32	1.37		1800	30	50	S47	3.54		560	30	30	S43	1.80
	390	30	20	S41	1.37		1800	35	35	S54	3.25		560	35	20	S51	1.66
	470	22	30	S23	1.53		1800	35	40	S55	3.59		560	35	25	S52	1.80
	470	25	25	S32	1.50		1800	35	45	S56	4.00		680	22	45	S26	2.01
	470	30	20	S41	1.50		2200	30	55	S48	4.06		680	22	50	S27	2.06
	470	35	20	S51	1.67		2200	35	40	S55	3.73		680	25	40	S35	2.01
	560	22	30	S23	1.69		2200	35	45	S56	4.13		680	25	45	S36	2.06
	560	22	35	S24	1.73		2700	35	50	S57	5.09		680	25	55	S38	2.28
	560	25	25	S32	1.64		3300	35	60	S59	6.03		680	30	30	S43	1.98
	560	25	30	S33	1.70		120	22	20	S21	0.67		680	30	35	S44	2.04
	560	30	20	S41	1.64		150	22	20	S21	0.75		680	35	25	S52	1.98
	560	30	25	S42	1.75		150	25	20	S31	0.92		680	35	30	S53	2.04
	560	35	20	S51	1.82		180	22	20	S21	0.82		820	22	55	S28	2.34
	680	22	35	S24	1.90		180	25	20	S31	1.01		820	25	45	S36	2.26
	680	22	40	S25	1.97		220	22	25	S22	1.11		820	25	50	S37	2.42
	680	25	30	S33	1.87		220	25	20	S31	1.02		820	30	35	S44	2.24
	680	25	35	S34	1.95		220	30	20	S41	1.03		820	35	25	S52	2.07
	680	30	25	S42	1.92		270	22	25	S22	1.13		820	35	30	S53	2.24
	680	35	20	S51	1.92		270	22	30	S23	1.25		1000	25	50	S37	2.57
820	22	40	S25	2.17	270	25	20	S31	1.07	1000	30	40	S45	2.67			
820	22	45	S26	2.21	270	25	25	S32	1.15	1000	35	30	S53	2.47			
820	25	35	S34	2.14	270	30	20	S41	1.14	1000	35	35	S54	2.60			
820	25	40	S35	2.20	330	22	30	S23	1.30	1200	30	45	S46	2.79			
820	30	25	S42	2.04	330	22	35	S24	1.50	1200	30	50	S47	2.89			
820	30	30	S43	2.17	330	25	25	S32	1.27	1200	35	35	S54	2.85			
820	35	25	S52	2.07	330	30	20	S41	1.26	1200	35	40	S55	3.18			
1000	22	50	S27	2.50	330	35	20	S51	1.30	1500	30	50	S47	3.23			
1000	25	40	S35	2.43	390	22	30	S23	1.38	1500	35	40	S55	3.28			
1000	25	45	S36	2.49	390	22	35	S24	1.52	1500	35	45	S56	3.69			
1000	30	30	S43	2.39	390	25	25	S32	1.38	1500	35	50	S57	3.80			
1000	30	35	S44	2.40	390	25	30	S33	1.41	1800	35	45	S56	3.74			
1000	35	25	S52	2.29	390	30	20	S41	1.37	1800	35	50	S57	4.16			
1000	35	30	S53	2.40	390	30	25	S42	1.47	2200	35	50	S57	4.23			
1200	22	60	S29	2.93	390	35	20	S51	1.41								

(Note) Rated ripple current : 105°C , 120Hz

Standard Ratings

Rated voltage (V)	Rated capacitance (μF)	Case (mm)		Casing Symbol	Rated ripple current (Arms)	Rated voltage (V)	Rated capacitance (μF)	Case (mm)		Casing Symbol	Rated ripple current (Arms)	Rated voltage (V)	Rated capacitance (μF)	Case (mm)		Casing Symbol	Rated ripple current (Arms)
		D	L					D	L					D	L		
315	68	22	20	S21	0.50	315	680	25	55	S38	2.20	350	270	25	40	S35	1.27
	82	22	20	S21	0.55		680	30	40	S45	2.03		270	30	25	S42	1.17
	100	22	20	S21	0.61		680	30	50	S47	2.18		270	30	30	S43	1.24
	100	25	20	S31	0.69		680	35	30	S53	2.00		270	35	20	S51	1.15
	120	22	20	S21	0.67		680	35	40	S55	2.07		270	35	25	S52	1.19
	120	22	25	S22	0.75		820	25	60	S39	2.49		330	22	40	S25	1.37
	150	22	25	S22	0.84		820	30	45	S46	2.31		330	22	45	S26	1.40
	150	22	30	S23	0.88		820	35	35	S54	2.24		330	25	35	S34	1.36
	150	25	20	S31	0.80		820	35	45	S56	2.34		330	25	40	S35	1.40
	150	30	20	S41	0.85		1000	30	55	S48	2.67		330	25	45	S36	1.43
	180	22	25	S22	0.92		1000	35	40	S55	2.52		330	30	25	S42	1.29
	180	22	30	S23	0.96		1200	30	60	S49	2.97		330	30	30	S43	1.37
	180	22	35	S24	0.98		1200	35	50	S57	2.86		330	30	35	S44	1.40
	180	25	25	S32	0.97		1500	35	55	S58	3.31		330	35	25	S52	1.31
	180	30	20	S41	0.93		56	22	20	S21	0.46		390	22	50	S27	1.56
	180	35	20	S51	0.94		82	22	20	S21	0.55		390	25	40	S35	1.52
	220	22	30	S23	1.06		82	25	20	S31	0.63		390	25	45	S36	1.56
	220	22	40	S25	1.12		100	22	20	S21	0.61		390	25	50	S37	1.66
	220	25	25	S32	1.07		100	22	25	S22	0.69		390	30	30	S43	1.49
	220	25	30	S33	1.09		100	25	20	S31	0.69		390	30	35	S44	1.52
	220	30	20	S41	1.03	120	22	20	S21	0.67	390		30	40	S45	1.54	
	270	22	35	S24	1.20	120	22	25	S22	0.75	390		35	25	S52	1.43	
	270	22	45	S26	1.27	120	22	30	S23	0.78	390		35	30	S53	1.51	
	270	25	30	S33	1.20	120	25	20	S31	0.72	470		22	55	S28	1.78	
	270	25	35	S34	1.23	120	30	20	S41	0.76	470		25	45	S36	1.71	
	270	30	25	S42	1.17	150	22	25	S22	0.84	470		25	50	S37	1.83	
	270	35	20	S51	1.15	150	22	30	S23	0.88	470		30	35	S44	1.67	
	330	22	35	S24	1.33	150	22	35	S24	0.89	470		30	40	S45	1.69	
	330	22	50	S27	1.44	150	25	20	S31	0.79	470		30	45	S46	1.75	
	330	25	30	S33	1.33	150	25	25	S32	0.88	470		35	30	S53	1.66	
	330	25	40	S35	1.40	150	30	20	S41	0.85	470		35	35	S54	1.69	
330	30	25	S42	1.29	150	35	20	S51	0.86	560	25	50	S37	1.90			
330	30	30	S43	1.37	180	22	30	S23	0.96	560	30	40	S45	1.84			
330	35	20	S51	1.28	180	22	35	S24	0.98	560	30	45	S46	1.91			
330	35	25	S52	1.31	180	22	40	S25	1.02	560	30	50	S47	1.97			
390	22	45	S26	1.52	180	25	25	S32	0.97	560	35	30	S53	1.81			
390	25	35	S34	1.48	180	25	30	S33	0.99	560	35	35	S54	1.85			
390	25	45	S36	1.56	180	30	20	S41	0.93	560	35	40	S55	1.88			
390	30	30	S43	1.49	180	35	20	S51	0.94	680	22	60	S29	2.21			
390	30	35	S44	1.52	220	22	30	S23	1.06	680	30	45	S46	2.10			
390	35	25	S52	1.43	220	22	35	S24	1.08	680	30	50	S47	2.18			
470	22	50	S27	1.72	220	22	45	S26	1.14	680	35	35	S54	2.04			
470	25	40	S35	1.67	220	25	25	S32	1.07	680	35	40	S55	2.07			
470	25	50	S37	1.83	220	25	30	S33	1.09	680	35	45	S56	2.14			
470	30	30	S43	1.64	220	25	35	S34	1.11	820	30	50	S47	2.32			
470	30	40	S45	1.69	220	30	20	S41	1.03	820	35	40	S55	2.28			
470	35	25	S52	1.57	220	30	25	S42	1.06	820	35	45	S56	2.34			
470	35	30	S53	1.66	220	35	20	S51	1.04	820	35	50	S57	2.36			
560	22	55	S28	1.94	270	22	35	S24	1.20	1000	30	60	S49	2.72			
560	25	45	S36	1.87	270	22	40	S25	1.24	1000	35	45	S56	2.59			
560	30	35	S44	1.82	270	22	45	S26	1.27	1000	35	50	S57	2.61			
560	30	45	S46	1.91	270	22	50	S27	1.30	1200	35	55	S58	2.96			
560	35	30	S53	1.81	270	25	30	S33	1.21								
560	35	35	S54	1.85	270	25	35	S34	1.23								

(Note) Rated ripple current : 105°C , 120Hz

NOTE : Design, Specifications are subject to change without notice.
It is recommended that you shall obtain technical specifications from ELNA to ensure that the component is suitable for your use.

Standard Ratings

Rated voltage (V)	Rated capacitance (μF)	Case (mm)		Casing Symbol	Rated ripple current (Arms)	Rated voltage (V)	Rated capacitance (μF)	Case (mm)		Casing Symbol	Rated ripple current (Arms)	Rated voltage (V)	Rated capacitance (μF)	Case (mm)		Casing Symbol	Rated ripple current (Arms)
		D	L					D	L					D	L		
400	56	22	20	S21	0.53	400	330	30	30	S43	1.53	450	180	22	40	S25	1.17
	68	22	20	S21	0.58		330	30	35	S44	1.61		180	22	45	S26	1.19
	68	25	20	S31	0.66		330	35	25	S52	1.51		180	25	30	S33	1.13
	82	22	20	S21	0.64		330	35	30	S53	1.56		180	25	35	S34	1.16
	82	22	25	S22	0.71		390	22	55	S28	1.86		180	30	25	S42	1.10
	82	25	20	S31	0.68		390	25	45	S36	1.79		180	30	30	S43	1.14
	82	30	20	S41	0.72		390	25	50	S37	1.85		180	35	20	S51	1.08
	100	22	20	S21	0.70		390	30	35	S44	1.75		180	35	25	S52	1.12
	100	22	25	S22	0.79		390	30	40	S45	1.77		220	22	45	S26	1.32
	100	25	20	S31	0.75		390	35	30	S53	1.69		220	22	50	S27	1.35
	100	30	20	S41	0.80		390	35	35	S54	1.76		220	25	35	S34	1.28
	120	22	25	S22	0.86		470	25	50	S37	2.04		220	25	40	S35	1.31
	120	22	30	S23	0.90		470	30	40	S45	1.94		220	25	45	S36	1.35
	120	25	20	S31	0.82		470	30	45	S46	2.01		220	30	25	S42	1.22
	120	25	25	S32	0.88		470	35	30	S53	1.86		220	30	30	S43	1.27
	120	30	20	S41	0.87		470	35	35	S54	1.93		220	35	25	S52	1.23
	120	35	20	S51	0.89		560	25	60	S39	2.46		270	22	50	S27	1.50
	150	22	30	S23	0.99		560	30	45	S46	2.19		270	25	40	S35	1.45
	150	22	35	S24	1.03		560	30	50	S47	2.27		270	25	45	S36	1.49
	150	25	25	S32	0.99		560	35	35	S54	2.11		270	25	50	S37	1.54
	150	25	30	S33	1.01		560	35	40	S55	2.16		270	30	30	S43	1.43
	150	30	20	S41	0.98		680	30	50	S47	2.50		270	30	35	S44	1.45
	150	35	20	S51	0.99		680	35	40	S55	2.39		270	35	25	S52	1.37
	180	22	30	S23	1.10		680	35	45	S56	2.53		270	35	30	S53	1.44
	180	22	35	S24	1.13		680	35	50	S57	2.73		330	22	60	S29	1.78
	180	22	40	S25	1.17		820	30	60	S49	2.94		330	25	50	S37	1.76
	180	25	25	S32	1.09		820	35	45	S56	2.70		330	30	35	S44	1.61
	180	25	30	S33	1.11		820	35	50	S57	3.00		330	30	40	S45	1.62
	180	30	20	S41	1.07		1000	35	55	S58	3.43		330	30	45	S46	1.68
	180	30	25	S42	1.10		56	22	20	S21	0.53		330	35	30	S53	1.60
	180	35	20	S51	1.08		56	25	20	S31	0.60		330	35	35	S54	1.62
	220	22	35	S24	1.25		68	22	20	S21	0.58		390	25	55	S38	1.98
	220	22	40	S25	1.29		68	22	25	S22	0.65		390	30	40	S45	1.77
	220	22	45	S26	1.32		68	25	20	S31	0.66		390	30	45	S46	1.83
	220	25	30	S33	1.23		82	22	25	S22	0.71		390	30	50	S47	2.07
	220	25	35	S34	1.28		82	25	20	S31	0.68		390	35	35	S54	1.76
220	30	25	S42	1.22	82	30	20	S41	0.72	390	35	40	S55	2.00			
220	30	30	S43	1.25	100	22	25	S22	0.79	470	30	45	S46	2.01			
220	35	20	S51	1.20	100	22	30	S23	0.82	470	30	50	S47	2.13			
220	35	25	S52	1.23	100	25	25	S32	0.81	470	35	35	S54	1.93			
270	22	40	S25	1.43	100	25	25	S32	0.81	470	35	40	S55	2.20			
270	22	45	S26	1.46	100	30	20	S41	0.80	470	35	45	S56	2.27			
270	22	50	S27	1.50	120	22	30	S23	0.90	470	35	45	S56	2.27			
270	25	35	S34	1.42	120	22	35	S24	0.92	560	30	45	S46	2.19			
270	25	40	S35	1.45	120	25	25	S32	0.88	560	35	35	S54	2.11			
270	30	25	S42	1.35	120	25	30	S33	0.93	560	35	40	S55	2.40			
270	30	30	S43	1.39	120	30	20	S41	0.87	560	35	45	S56	2.48			
270	35	25	S52	1.37	120	35	20	S51	0.89	560	35	50	S57	2.50			
330	22	45	S26	1.61	150	22	35	S24	1.03	680	30	60	S49	2.68			
330	22	50	S27	1.65	150	22	40	S25	1.05	680	35	45	S56	2.59			
330	25	40	S35	1.61	150	25	30	S33	1.03	680	35	50	S57	2.61			
330	25	45	S36	1.65	150	30	25	S42	1.00	820	35	60	S59	3.07			
										150	35	20	S51	0.99			

(Note) Rated ripple current : 105°C , 120Hz

NOTE : Design, Specifications are subject to change without notice.
It is recommended that you shall obtain technical specifications from ELNA to ensure that the component is suitable for your use.

Standard Ratings

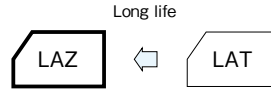
Rated voltage (V)	Rated capacitance (μF)	Case (mm)		Casing Symbol	Rated ripple current (Arms)	Rated voltage (V)	Rated capacitance (μF)	Case (mm)		Casing Symbol	Rated ripple current (Arms)
		D	L					D	L		
500	22	22	20	S21	0.24	500	150	25	45	S36	1.11
	27	22	20	S21	0.28		150	30	25	S42	1.00
	33	22	25	S22	0.44		150	30	30	S43	1.02
	39	22	20	S21	0.44		150	30	40	S45	1.10
	39	22	25	S22	0.49		150	35	20	S51	0.99
	47	22	20	S21	0.48		150	35	25	S52	1.02
	47	22	30	S23	0.56		150	35	35	S54	1.09
	47	25	20	S31	0.55		180	22	45	S26	1.19
	56	22	20	S21	0.53		180	22	50	S27	1.22
	56	22	25	S22	0.59		180	25	40	S35	1.19
	56	22	30	S23	0.61		180	25	45	S36	1.22
	56	25	20	S31	0.57		180	25	50	S37	1.30
	68	22	25	S22	0.65		180	30	30	S43	1.14
	68	22	30	S23	0.68		180	30	35	S44	1.16
	68	22	35	S24	0.70		180	30	45	S46	1.24
	68	25	20	S31	0.62		180	35	25	S52	1.12
	68	25	25	S32	0.68		180	35	30	S53	1.15
	68	25	30	S33	0.70		220	22	55	S28	1.40
	68	30	20	S41	0.66		220	25	45	S36	1.35
	82	22	25	S22	0.71		220	25	50	S37	1.39
	82	22	30	S23	0.74		220	30	35	S44	1.31
	82	22	40	S25	0.79		220	30	40	S45	1.33
	82	25	25	S32	0.73		220	30	50	S47	1.42
	82	25	30	S33	0.77		220	35	25	S52	1.23
	82	25	35	S34	0.79		220	35	30	S53	1.27
	82	30	20	S41	0.72		220	35	40	S55	1.36
	100	22	30	S23	0.82		270	22	60	S29	1.61
	100	22	35	S24	0.84		270	25	50	S37	1.54
	100	22	45	S26	0.89		270	30	40	S45	1.47
	100	25	25	S32	0.81		270	30	45	S46	1.52
	100	25	30	S33	0.85		270	30	50	S47	1.58
	100	25	40	S35	0.89		270	35	30	S53	1.41
100	30	20	S41	0.80	270	35	35	S54	1.46		
100	30	25	S42	0.82	270	35	40	S55	1.50		
100	30	30	S43	0.87	330	25	60	S39	1.88		
100	35	20	S51	0.81	330	30	45	S46	1.68		
120	22	35	S24	0.92	330	30	50	S47	1.71		
120	22	40	S25	0.95	330	35	35	S54	1.62		
120	22	50	S27	1.00	330	35	40	S55	1.66		
120	25	30	S33	0.92	330	35	45	S56	1.71		
120	25	35	S34	0.95	390	30	50	S47	1.77		
120	25	40	S35	0.97	390	35	40	S55	1.81		
120	30	25	S42	0.90	390	35	45	S56	1.86		
120	30	30	S43	0.93	390	35	50	S57	1.88		
120	30	35	S44	0.97	470	30	55	S48	2.09		
120	35	20	S51	0.89	470	35	45	S56	2.04		
120	35	30	S53	0.94	470	35	50	S57	2.06		
150	22	40	S25	1.07	560	35	50	S57	2.25		
150	22	45	S26	1.09	560	35	55	S58	2.33		
150	25	35	S34	1.05	680	35	60	S59	2.66		
150	25	40	S35	1.08							

(Note) Rated ripple current : 105°C , 120Hz

High-Reliability, High-Ripple, Long Life Capacitors

GREEN CAP 105°C 3000hours

- High-reliability, high-ripple, long life capacitors.
- Guarantees 3000 hours at 105°C.
- Best suited to On-Board-Charger for EV, PHEV.



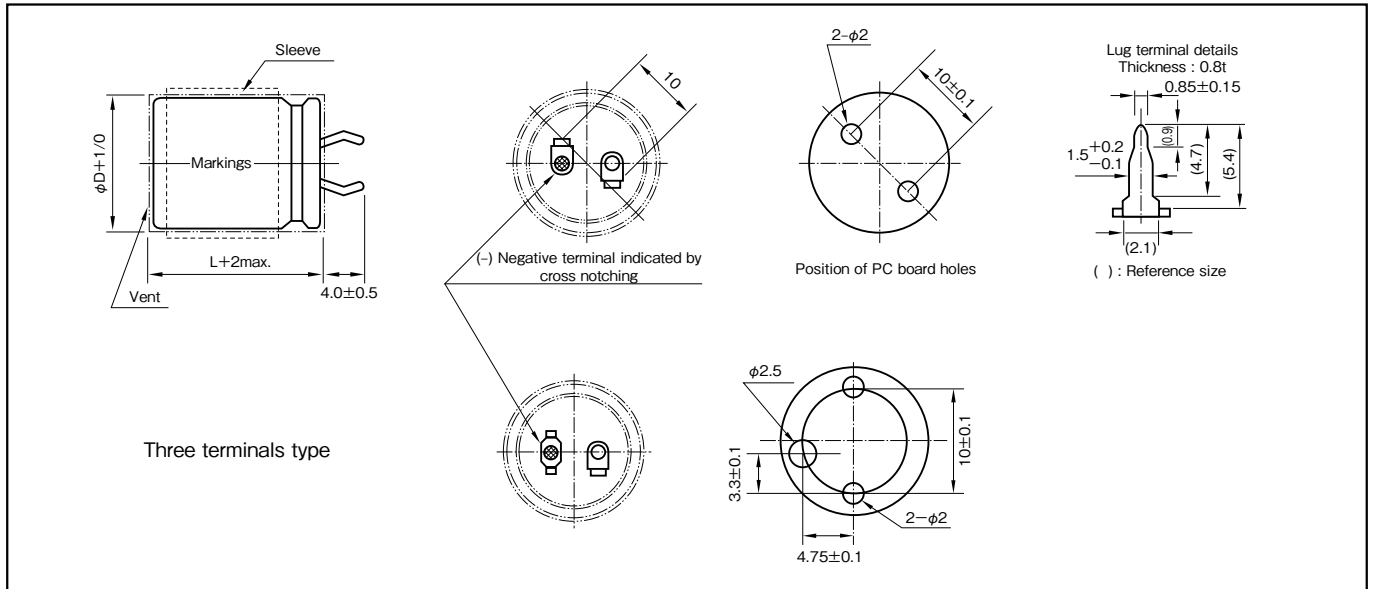
Marking color : White print on a black sleeve

Specifications

Item	Performance	
Category temperature range (°C)	-40 to +105 (-25 to +105 at 160V or more)	
Tolerance at rated capacitance (%)	±20 (20°C, 120Hz)	
Leakage current (µA) (max.)	3√CV (after 5 minutes) C : Rated capacitance (µF) ; V : Rated voltage (V) (20°C)	
Tangent of loss angle (tanδ)	Rated voltage (V)	16 25 35 50 63 to 100 160 to 250 350 to 500
	tanδ (max.)	0.50 0.40 0.35 0.30 0.20 0.15 0.20 (20°C, 120Hz)
Characteristics at high and low temperature	Rated voltage (V)	16 to 100 160 to 500
	Impedance ratio (max.)	Z-25°C/Z+20°C 4 160 to 500 Z-40°C/Z+20°C 15 — (120Hz)
Endurance (105°C) (Applied ripple current)	Test time	3000 hours
	Leakage current	The initial specified value or less
	Percentage of capacitance change	Within ±20% of initial value
	Tangent of the loss angle	200% or less of the initial specified value
Shelf life (105°C)	Test time	1000 hours
	Leakage current	The initial specified value or less
	Percentage of capacitance change	Within ±15% of initial value
	Tangent of the loss angle	150% or less of the initial specified value
Applicable standards	Voltage application treatment : According to JIS C5101-4 4.1 JIS C5101 - 1, - 4 (IEC 60384 - 1, - 4)	

Outline Drawing

Unit: mm



Part numbering system

series LAZ, standard terminal type :400V470µF

LAZ	—	400 V	471	M	S54 #	B
Series code		Rated voltage symbol	Rated capacitance symbol	Capacitance tolerance symbol	Casing symbol	Optional symbol

series LTZ, three terminals type :400V470µF

LTZ	—	400 V	471	M	S54 #	B
Series code		Rated voltage symbol	Rated capacitance symbol	Capacitance tolerance symbol	Casing symbol	Optional symbol

Coefficient of Frequency for Rated Ripple Current

Frequency (Hz)	50	120	1k	10k	30k
Rated voltage (V)					
100 or less	0.95	1	1.10	1.15	1.15
160 to 250	0.81	1	1.32	1.45	1.50
350 or more	0.77	1	1.30	1.41	1.43

NOTE : Design, Specifications are subject to change without notice.
It is recommended that you shall obtain technical specifications from ELNA to ensure that the component is suitable for your use.

Standard Ratings

Rated voltage (V)	Rated capacitance (μF)	Case (mm)		Casing Symbol	Rated ripple current (Arms)	Rated voltage (V)	Rated capacitance (μF)	Case (mm)		Casing Symbol	Rated ripple current (Arms)	Rated voltage (V)	Rated capacitance (μF)	Case (mm)		Casing Symbol	Rated ripple current (Arms)
		D	L					D	L					D	L		
16	4700	22	20	S21	1.23	16	27000	35	25	S52	3.80	25	10000	30	25	S42	2.48
	5600	22	20	S21	1.35		27000	35	30	S53	3.82		10000	35	20	S51	2.40
	6800	22	20	S21	1.48		33000	22	50	S27	4.00		12000	22	35	S24	2.59
	6800	22	25	S22	1.60		33000	25	45	S36	4.16		12000	22	40	S25	2.63
	6800	25	20	S31	1.53		33000	25	50	S37	4.21		12000	22	45	S26	2.69
	8200	22	25	S22	1.76		33000	30	35	S44	4.15		12000	25	30	S33	2.61
	8200	25	20	S31	1.68		33000	30	40	S45	4.23		12000	25	35	S34	2.67
	8200	30	20	S41	1.84		33000	30	45	S46	4.30		12000	25	40	S35	2.74
	10000	22	25	S22	1.94		33000	35	30	S53	4.22		12000	30	25	S42	2.59
	10000	22	30	S23	1.99		33000	35	35	S54	4.24		12000	30	30	S43	2.70
	10000	25	20	S31	1.85		39000	25	50	S37	4.58		12000	35	20	S51	2.63
	10000	25	25	S32	1.99		39000	30	40	S45	4.60		12000	35	25	S52	2.80
	10000	30	20	S41	2.03		39000	30	45	S46	4.67		15000	22	40	S25	2.94
	12000	22	30	S23	2.18		39000	30	50	S47	4.74		15000	22	45	S26	3.01
	12000	22	35	S24	2.28		39000	35	30	S53	4.59		15000	25	35	S34	2.99
	12000	25	25	S32	2.18		39000	35	35	S54	4.61		15000	25	40	S35	3.06
	12000	25	30	S33	2.30		39000	35	40	S55	4.72		15000	25	45	S36	3.15
	12000	30	20	S41	2.23		47000	30	45	S46	5.13		15000	30	30	S43	3.02
	12000	30	25	S42	2.38		47000	30	50	S47	5.20		15000	30	35	S44	3.13
	12000	35	20	S51	2.38		47000	35	35	S54	5.06		15000	35	25	S52	3.13
	15000	22	30	S23	2.44		47000	35	40	S55	5.18		15000	35	30	S53	3.22
	15000	22	35	S24	2.55		47000	35	45	S56	5.27		18000	22	45	S26	3.29
	15000	22	40	S25	2.64		56000	30	50	S47	5.68		18000	22	50	S27	3.44
	15000	25	25	S32	2.44		56000	35	40	S55	5.66		18000	25	40	S35	3.36
	15000	25	30	S33	2.57		56000	35	45	S56	5.75		18000	25	45	S36	3.45
	15000	25	35	S34	2.68		68000	35	45	S56	6.34		18000	25	50	S37	3.54
	15000	30	25	S42	2.66		68000	35	50	S57	6.59		18000	30	30	S43	3.31
	15000	35	20	S51	2.66		82000	35	50	S57	7.23		18000	30	35	S44	3.43
	18000	22	35	S24	2.79		3300	22	20	S21	1.21		18000	30	40	S45	3.54
	18000	22	40	S25	2.89		3900	22	20	S21	1.31		18000	35	25	S52	3.43
	18000	22	45	S26	2.98		4700	22	20	S21	1.44		18000	35	30	S53	3.53
	18000	25	30	S33	2.82		4700	22	25	S22	1.55		22000	22	50	S27	3.80
	18000	25	35	S34	2.94		4700	25	20	S31	1.48		22000	25	45	S36	3.81
	18000	25	40	S35	3.04		5600	22	25	S22	1.69		22000	25	50	S37	3.91
	18000	30	25	S42	2.91		5600	25	20	S31	1.61		22000	30	35	S44	3.79
	18000	30	30	S43	3.00		5600	30	20	S41	1.74		22000	30	40	S45	3.91
	18000	35	20	S51	2.91		6800	22	25	S22	1.86		22000	30	45	S46	4.24
	18000	35	25	S52	3.10		6800	22	30	S23	1.91		22000	35	30	S53	3.90
	22000	22	40	S25	3.20		6800	25	20	S31	1.78		22000	35	35	S54	3.96
	22000	22	45	S26	3.29		6800	25	25	S32	1.91		27000	25	50	S37	4.34
	22000	25	35	S34	3.25		6800	30	20	S41	1.92		27000	30	40	S45	4.34
	22000	25	40	S35	3.36		8200	22	30	S23	2.10		27000	30	45	S46	4.70
	22000	25	45	S36	3.40		8200	22	35	S24	2.14		27000	35	35	S54	4.39
	22000	30	30	S43	3.32		8200	25	25	S32	2.10		27000	35	40	S55	4.56
	22000	30	35	S44	3.39		8200	25	30	S33	2.16		27000	35	45	S56	4.75
22000	35	25	S52	3.43	8200	30	20	S41	2.10	33000	30	45	S46	5.19			
27000	22	45	S26	3.65	8200	30	25	S42	2.25	33000	30	50	S47	5.30			
27000	22	50	S27	3.70	8200	35	20	S51	2.17	33000	35	35	S54	4.85			
27000	25	40	S35	3.72	10000	22	30	S23	2.32	33000	35	40	S55	5.04			
27000	25	45	S36	3.77	10000	22	35	S24	2.36	33000	35	50	S57	5.39			
27000	25	50	S37	3.81	10000	22	40	S25	2.40	39000	30	50	S47	5.58			
27000	30	30	S43	3.67	10000	25	25	S32	2.32	39000	35	40	S55	5.48			
27000	30	35	S44	3.76	10000	25	30	S33	2.39	39000	35	45	S56	5.71			
27000	30	40	S45	3.83	10000	25	35	S34	2.44	47000	35	50	S57	6.43			

(Note) Rated ripple current : 105°C , 120Hz

NOTE : Design, Specifications are subject to change without notice.
It is recommended that you shall obtain technical specifications from ELNA to ensure that the component is suitable for your use.

Standard Ratings

Rated voltage (V)	Rated capacitance (μF)	Case (mm)		Casing Symbol	Rated ripple current (Arms)	Rated voltage (V)	Rated capacitance (μF)	Case (mm)		Casing Symbol	Rated ripple current (Arms)	Rated voltage (V)	Rated capacitance (μF)	Case (mm)		Casing Symbol	Rated ripple current (Arms)
		D	L					D	L					D	L		
63	820	22	20	S21	0.96	63	4700	35	30	S53	2.83	80	2200	22	40	S25	2.02
	1000	22	20	S21	1.06		5600	25	45	S36	3.04		2200	22	45	S26	2.09
	1200	22	20	S21	1.11		5600	25	50	S37	3.14		2200	25	30	S33	1.96
	1200	22	25	S22	1.25		5600	30	35	S44	3.06		2200	25	35	S34	2.01
	1200	25	20	S31	1.16		5600	30	40	S45	3.17		2200	25	35	S34	2.01
	1500	22	25	S22	1.40		5600	30	40	S45	3.17		2200	30	25	S42	2.00
	1500	25	20	S31	1.29		5600	30	45	S46	3.28		2200	30	30	S43	2.10
	1800	22	25	S22	1.46		5600	35	30	S53	3.09		2200	30	30	S43	2.10
	1800	22	30	S23	1.60		5600	35	35	S54	3.24		2200	35	20	S51	2.04
	1800	25	20	S31	1.42		6800	25	50	S37	3.46		2200	35	25	S52	2.17
	1800	25	25	S32	1.52		6800	30	40	S45	3.49		2700	22	40	S25	2.24
	1800	30	20	S41	1.47		6800	30	45	S46	3.61		2700	22	45	S26	2.32
	2200	22	30	S23	1.68		6800	30	50	S47	3.73		2700	25	35	S34	2.23
	2200	22	35	S24	1.73		6800	35	30	S53	3.40		2700	25	40	S35	2.32
	2200	25	25	S32	1.68		6800	35	35	S54	3.57		2700	25	45	S36	2.43
	2200	25	30	S33	1.75		6800	35	40	S55	3.71		2700	30	25	S42	2.22
	2200	30	20	S41	1.63		8200	30	45	S46	3.97		2700	30	30	S43	2.33
	2200	35	20	S51	1.85		8200	30	50	S47	4.10		2700	30	35	S44	2.43
	2700	22	30	S23	1.86		8200	35	35	S54	3.92		2700	35	25	S52	2.40
	2700	22	35	S24	1.92		8200	35	40	S55	4.07		3300	22	45	S26	2.56
	2700	25	25	S32	1.86		8200	35	45	S56	4.16		3300	22	50	S27	2.67
	2700	25	30	S33	1.94		10000	30	50	S47	4.52		3300	25	35	S34	2.46
	2700	25	35	S34	1.99		10000	35	40	S55	4.50		3300	25	40	S35	2.57
	2700	30	20	S41	1.81		10000	35	45	S56	4.59		3300	25	50	S37	2.76
	2700	30	25	S42	1.93		10000	35	50	S57	4.69		3300	30	30	S43	2.57
	2700	35	20	S51	2.05		12000	35	45	S56	5.03		3300	30	35	S44	2.69
	3300	22	35	S24	2.12		12000	35	50	S57	5.14		3300	30	40	S45	2.78
	3300	22	40	S25	2.18		15000	35	50	S57	5.74		3300	35	25	S52	2.66
	3300	22	50	S27	2.32								3300	35	30	S53	2.71
	3300	25	30	S33	2.14								3900	22	50	S27	2.90
3300	25	35	S34	2.20						3900	25	40	S35	2.79			
3300	25	40	S35	2.27						3900	25	45	S36	2.92			
3300	30	25	S42	2.13						3900	30	35	S44	2.92			
3300	30	30	S43	2.24						3900	30	40	S45	3.02			
3300	35	20	S51	2.26						3900	30	45	S46	3.12			
3300	35	25	S52	2.41						3900	30	50	S47	3.56			
3900	22	40	S25	2.37						3900	35	30	S53	2.95			
3900	22	45	S26	2.42						3900	35	35	S54	3.07			
3900	25	35	S34	2.39						4700	25	50	S37	3.29			
3900	25	40	S35	2.47						4700	30	40	S45	3.32			
3900	25	45	S36	2.54						4700	30	45	S46	3.43			
3900	30	25	S42	2.32						4700	30	50	S47	3.56			
3900	30	30	S43	2.44						4700	35	30	S53	3.23			
3900	30	35	S44	2.55						4700	35	35	S54	3.37			
3900	35	25	S52	2.62						4700	35	40	S55	3.50			
4700	22	45	S26	2.65						4700	35	45	S56	3.82			
4700	22	50	S27	2.77						4700	35	50	S56	3.87			
4700	25	40	S35	2.71						6800	30	50	S47	4.03			
4700	25	45	S36	2.79						6800	35	40	S55	3.93			
4700	25	50	S37	2.88						6800	35	45	S56	4.03			
4700	30	30	S43	2.67						6800	35	50	S57	4.19			
4700	30	35	S44	2.80						8200	35	45	S56	4.32			
4700	30	40	S45	2.90						8200	35	50	S57	4.60			
4700	35	25	S52	2.72						10000	35	50	S57	5.08			

(Note) Rated ripple current : 105°C , 120Hz

NOTE : Design, Specifications are subject to change without notice.
It is recommended that you shall obtain technical specifications from ELNA to ensure that the component is suitable for your use.

Standard Ratings

Rated voltage (V)	Rated capacitance (μF)	Case (mm)		Casing Symbol	Rated ripple current (Arms)	Rated voltage (V)	Rated capacitance (μF)	Case (mm)		Casing Symbol	Rated ripple current (Arms)
		D	L					D	L		
100	390	22	20	S21	0.83	100	1800	25	45	S36	2.28
	470	22	20	S21	0.91		1800	30	25	S42	2.09
	560	22	20	S21	0.99		1800	30	30	S43	2.19
	560	22	25	S22	1.07		1800	30	35	S44	2.27
	560	25	20	S31	1.04		1800	35	25	S52	2.27
	680	22	25	S22	1.18		2200	22	45	S26	2.41
	680	25	20	S31	1.14		2200	22	50	S27	2.52
	820	22	25	S22	1.29		2200	25	40	S35	2.46
	820	22	30	S23	1.35		2200	25	45	S36	2.52
	820	25	20	S31	1.26		2200	25	50	S37	2.57
	820	25	25	S32	1.35		2200	30	30	S43	2.42
	820	30	20	S41	1.32		2200	30	35	S44	2.51
	1000	22	30	S23	1.49		2200	30	40	S45	2.59
	1000	22	35	S24	1.54		2200	35	25	S52	2.51
	1000	25	25	S32	1.49		2200	35	30	S53	2.56
	1000	25	30	S33	1.56		2700	25	45	S36	2.79
	1000	30	20	S41	1.46		2700	25	50	S37	2.85
	1000	35	20	S51	1.59		2700	30	35	S44	2.78
	1200	22	30	S23	1.63		2700	30	40	S45	2.87
	1200	22	35	S24	1.69		2700	30	45	S46	2.94
	1200	22	40	S25	1.74		2700	35	30	S53	2.79
	1200	25	25	S32	1.63		2700	35	35	S54	2.90
	1200	25	30	S33	1.71		3300	25	50	S37	3.15
	1200	25	35	S34	1.76		3300	30	40	S45	3.17
	1200	30	20	S41	1.60		3300	30	45	S46	3.25
	1200	30	25	S42	1.71		3300	30	50	S47	3.32
	1200	35	20	S51	1.74		3300	35	30	S53	3.09
	1500	22	35	S24	1.89		3300	35	35	S54	3.21
	1500	22	40	S25	1.95		3300	35	40	S55	3.31
	1500	22	45	S26	1.99		3900	30	45	S46	3.53
1500	25	30	S33	1.91	3900	30	50	S47	3.61		
1500	25	35	S34	1.97	3900	35	35	S54	3.49		
1500	25	40	S35	2.03	3900	35	40	S55	3.60		
1500	30	25	S42	1.91	3900	35	45	S56	3.69		
1500	30	30	S43	2.00	4700	30	50	S47	3.96		
1500	35	20	S51	1.94	4700	35	40	S55	3.95		
1500	35	25	S52	2.07	4700	35	45	S56	4.05		
1800	22	40	S25	2.13	4700	35	50	S57	4.14		
1800	22	45	S26	2.18	5600	35	45	S56	4.42		
1800	25	35	S34	2.16	5600	35	50	S57	4.52		
1800	25	40	S35	2.22	6800	35	50	S57	4.98		

(Note) Rated ripple current : 105°C , 120Hz

Standard Ratings

Rated voltage (V)	Rated capacitance (μF)	Case (mm)		Casing Symbol	Rated ripple current (Arms)	Rated voltage (V)	Rated capacitance (μF)	Case (mm)		Casing Symbol	Rated ripple current (Arms)	Rated voltage (V)	Rated capacitance (μF)	Case (mm)		Casing Symbol	Rated ripple current (Arms)
		D	L					D	L					D	L		
160	180	22	20	S21	0.82	160	1200	35	25	S52	2.69	180	560	30	25	S42	1.69
	220	22	20	S21	0.90		1200	35	30	S53	2.95		560	35	20	S51	1.66
	220	25	20	S31	1.02		1500	22	60	S29	3.41		680	22	35	S24	1.90
	270	22	20	S21	1.00		1500	25	45	S36	3.25		680	22	40	S25	1.97
	270	25	20	S31	1.13		1500	25	50	S37	3.38		680	22	45	S26	2.01
	330	22	20	S21	1.10		1500	30	35	S44	3.10		680	22	50	S27	2.06
	330	22	25	S22	1.24		1500	30	40	S45	3.21		680	25	30	S33	1.91
	330	25	20	S31	1.25		1500	30	45	S46	3.57		680	25	35	S34	1.95
	390	22	25	S22	1.35		1500	35	30	S53	3.06		680	25	40	S35	2.01
	390	22	30	S23	1.41		1500	35	35	S54	3.21		680	30	25	S42	1.86
	390	25	20	S31	1.36		1800	25	55	S38	3.84		680	30	30	S43	1.97
	390	25	25	S32	1.45		1800	30	40	S45	3.52		680	35	20	S51	1.83
	390	30	20	S41	1.37		1800	30	45	S46	3.91		680	35	25	S52	1.92
	470	22	25	S22	1.48		1800	30	50	S47	4.07		820	22	40	S25	2.17
	470	22	30	S23	1.50		1800	35	30	S53	3.35		820	22	45	S26	2.21
	470	22	35	S24	1.58		1800	35	35	S54	3.52		820	25	35	S34	2.14
	470	25	25	S32	1.53		1800	35	40	S55	3.94		820	25	40	S35	2.20
	470	30	20	S41	1.50		1800	35	45	S56	4.15		820	25	45	S36	2.26
	560	22	30	S23	1.68		2200	30	45	S46	4.03		820	30	25	S42	2.04
	560	22	35	S24	1.75		2200	30	50	S47	4.16		820	30	30	S43	2.17
	560	25	25	S32	1.63		2200	35	35	S54	3.89		820	30	35	S44	2.20
	560	25	30	S33	1.73		2200	35	40	S55	4.36		820	35	20	S51	2.01
	560	30	20	S41	1.63		2200	35	45	S56	4.59		820	35	25	S52	2.11
	560	35	20	S51	1.82		2200	35	50	S57	4.87		820	35	20	S51	2.01
	680	22	35	S24	1.93		2700	30	55	S48	4.76		1000	22	45	S26	2.44
	680	22	40	S25	1.98		2700	35	50	S57	5.03		1000	22	50	S27	2.50
	680	25	30	S33	1.91		3300	35	50	S57	5.47		1000	25	40	S35	2.43
	680	25	35	S34	1.98		3900	35	60	S59	6.39		1000	25	45	S36	2.49
	680	30	20	S41	1.80		180	22	20	S21	0.82		1000	25	50	S37	2.66
	680	30	25	S42	1.85		220	22	20	S21	0.91		1000	30	30	S43	2.39
680	35	20	S51	2.01	220	25	20	S31	1.03	1000	30	35	S44	2.43			
820	22	35	S24	2.08	270	22	20	S21	1.00	1000	30	40	S45	2.46			
820	22	40	S25	2.17	270	22	25	S22	1.13	1000	35	25	S52	2.33			
820	22	50	S27	2.35	270	25	20	S31	1.14	1000	35	30	S53	2.42			
820	25	30	S33	2.09	330	22	25	S22	1.25	1200	22	55	S28	2.85			
820	25	35	S34	2.17	330	22	30	S23	1.30	1200	25	45	S36	2.73			
820	25	40	S35	2.35	330	25	20	S31	1.20	1200	30	35	S44	2.66			
820	30	25	S42	2.03	330	30	20	S41	1.26	1200	30	40	S45	2.69			
820	30	30	S43	2.35	390	22	25	S22	1.35	1200	30	45	S46	2.79			
820	35	20	S51	2.20	390	22	30	S23	1.41	1200	35	25	S52	2.55			
820	35	25	S52	2.35	390	25	20	S31	1.29	1200	35	30	S53	2.65			
1000	22	45	S26	2.42	390	25	25	S32	1.42	1200	35	35	S54	2.70			
1000	25	35	S34	2.40	470	22	30	S23	1.55	1500	25	50	S37	3.12			
1000	25	40	S35	2.47	470	22	35	S24	1.58	1500	30	40	S45	3.01			
1000	25	45	S36	2.65	470	25	25	S32	1.56	1500	30	45	S46	3.12			
1000	30	30	S43	2.45	470	25	30	S33	1.62	1500	30	50	S47	3.23			
1000	30	35	S44	2.52	470	25	35	S33	1.62	1500	35	30	S53	2.96			
1000	35	25	S52	2.60	470	30	20	S41	1.50	1500	35	35	S54	3.02			
1000	35	30	S53	2.75	470	30	20	S41	1.50	1500	35	40	S55	3.08			
1200	22	50	S27	2.84	560	22	30	S23	1.69	1800	25	60	S39	3.83			
1200	25	40	S35	2.84	560	22	35	S24	1.73	1800	30	45	S46	3.42			
1200	25	45	S36	2.90	560	22	40	S25	1.79	1800	35	35	S54	3.31			
1200	25	50	S37	3.02	560	25	25	S32	1.67	1800	35	40	S55	3.37			
1200	30	30	S43	2.84	560	25	30	S33	1.74	2200	30	50	S47	3.83			
1200	30	35	S44	2.96	560	25	35	S34	1.77	2200	35	40	S55	3.73			
1200	30	40	S45	3.10	560	30	20	S41	1.64	2200	35	45	S56	3.84			

(Note) Rated ripple current : 105°C , 120Hz

NOTE : Design, Specifications are subject to change without notice.
It is recommended that you shall obtain technical specifications from ELNA to ensure that the component is suitable for your use.

Standard Ratings

Rated voltage (V)	Rated capacitance (μF)	Case (mm)		Casing Symbol	Rated ripple current (Arms)	Rated voltage (V)	Rated capacitance (μF)	Case (mm)		Casing Symbol	Rated ripple current (Arms)	Rated voltage (V)	Rated capacitance (μF)	Case (mm)		Casing Symbol	Rated ripple current (Arms)
		D	L					D	L					D	L		
180	2200	35	50	S57	3.87	200	1000	25	45	S36	2.49	250	330	35	20	S51	1.30
	2700	30	60	S49	4.64		1000	25	50	S37	2.57		390	22	30	S23	1.38
	2700	35	45	S56	4.25		1000	30	30	S43	2.39		390	22	35	S24	1.52
	2700	35	50	S57	4.29		1000	30	35	S44	2.40		390	22	40	S25	1.57
	3300	35	55	S58	4.92		1000	30	40	S45	2.46		390	22	45	S26	1.60
200	150	22	20	S21	0.76		1000	30	45	S46	2.55		390	25	25	S32	1.38
	180	22	20	S21	0.82		1000	35	25	S52	2.29		390	25	30	S33	1.41
	220	22	20	S21	0.91		1000	35	30	S53	2.40		390	25	35	S34	1.61
	220	25	20	S31	1.03		1200	22	60	S29	2.93		390	30	20	S41	1.37
	270	22	20	S21	1.00		1200	25	50	S37	2.82		390	30	25	S42	1.47
	270	22	25	S22	1.17		1200	30	35	S44	2.63		390	35	20	S51	1.41
	270	25	20	S31	1.09		1200	30	40	S45	2.69		470	22	35	S24	1.58
	270	30	20	S41	1.14		1200	30	45	S46	2.79		470	22	40	S25	1.64
	330	22	25	S22	1.29		1200	30	50	S47	2.89		470	22	50	S27	1.72
	330	22	30	S23	1.30		1200	35	30	S53	2.63		470	25	30	S33	1.61
	330	25	20	S31	1.18		1200	35	35	S54	2.65		470	25	35	S34	1.63
	330	25	25	S32	1.30		1200	35	40	S55	2.76		470	25	40	S35	1.73
	390	22	25	S22	1.35		1500	25	60	S39	3.49		470	30	25	S42	1.61
	390	22	30	S23	1.40		1500	30	40	S45	3.01		470	30	30	S43	1.65
	390	25	25	S32	1.37		1500	30	45	S46	3.12		470	35	20	S51	1.55
	390	30	20	S41	1.37	1500	30	50	S47	3.23	470		35	25	S52	1.65	
	470	22	30	S23	1.53	1500	35	35	S54	2.97	560		22	40	S25	1.79	
	470	22	35	S24	1.61	1500	35	40	S55	3.45	560		22	45	S26	1.82	
	470	22	40	S25	1.75	1500	35	45	S56	3.65	560		25	35	S34	1.77	
	470	25	25	S32	1.50	1800	30	50	S47	3.54	560		25	40	S35	1.82	
	470	25	30	S33	1.56	1800	35	40	S55	3.59	560		25	45	S36	1.87	
	470	30	20	S41	1.50	1800	35	45	S56	4.00	560		30	25	S42	1.69	
	470	30	25	S42	1.60	1800	35	50	S57	4.16	560		30	30	S43	1.80	
	470	35	20	S51	1.67	2200	30	60	S49	4.19	560		30	35	S44	1.85	
	560	22	35	S24	1.73	2200	35	45	S56	4.13	560		35	25	S52	1.80	
	560	22	45	S26	1.82	2200	35	50	S57	4.60	560	35	30	S53	1.85		
	560	25	30	S33	1.70	2700	35	50	S57	5.09	680	22	45	S26	2.01		
	560	25	35	S34	1.77	3300	35	60	S59	6.03	680	22	50	S27	2.06		
	560	30	25	S42	1.75	120	22	20	S21	0.67	680	25	40	S35	2.01		
	560	35	20	S51	1.82	150	22	20	S21	0.75	680	25	45	S36	2.06		
	680	22	40	S25	1.97	150	25	20	S31	0.92	680	25	50	S37	2.20		
	680	22	50	S27	2.06	180	22	20	S21	0.82	680	30	30	S43	1.98		
	680	25	30	S33	1.87	180	22	25	S22	1.00	680	30	35	S44	2.04		
	680	25	35	S34	1.95	180	25	20	S31	1.01	680	30	40	S45	2.20		
	680	25	40	S35	2.01	220	22	25	S22	1.11	680	35	25	S52	1.98		
	680	30	25	S42	1.92	220	22	30	S23	1.20	680	35	30	S53	2.04		
	680	30	30	S43	1.97	220	25	20	S31	1.02	820	22	55	S28	2.34		
	680	35	20	S51	1.92	220	25	25	S32	1.12	820	25	45	S36	2.26		
	680	35	25	S52	1.96	220	30	20	S41	1.03	820	25	50	S37	2.42		
	820	22	45	S26	2.21	270	22	25	S22	1.13	820	30	35	S44	2.24		
	820	25	35	S34	2.14	270	22	30	S23	1.25	820	30	40	S45	2.42		
	820	25	40	S35	2.20	270	22	35	S24	1.37	820	30	45	S46	2.50		
	820	25	45	S36	2.26	270	25	25	S32	1.15	820	35	30	S53	2.24		
	820	25	50	S37	2.41	270	30	20	S41	1.14	820	35	35	S54	2.35		
	820	30	25	S42	2.04	330	22	30	S23	1.30	1000	25	50	S37	2.57		
820	30	30	S43	2.17	330	22	35	S24	1.50	1000	30	40	S45	2.67			
820	30	35	S44	2.18	330	22	40	S25	1.54	1000	30	45	S46	2.69			
820	35	25	S52	2.07	330	25	25	S32	1.27	1000	30	50	S47	2.71			
820	35	30	S53	2.18	330	25	30	S33	1.33	1000	35	30	S53	2.47			
1000	22	50	S27	2.50	330	30	20	S41	1.26	1000	35	35	S54	2.60			
1000	25	40	S35	2.43	330	30	25	S42	1.35	1000	35	40	S55	2.90			

(Note) Rated ripple current : 105°C , 120Hz

NOTE : Design, Specifications are subject to change without notice.
It is recommended that you shall obtain technical specifications from ELNA to ensure that the component is suitable for your use.

Standard Ratings

Rated voltage (V)	Rated capacitance (μF)	Case (mm)		Casing Symbol	Rated ripple current (Arms)	Rated voltage (V)	Rated capacitance (μF)	Case (mm)		Casing Symbol	Rated ripple current (Arms)	Rated voltage (V)	Rated capacitance (μF)	Case (mm)		Casing Symbol	Rated ripple current (Arms)
		D	L					D	L					D	L		
250	1200	30	45	S46	2.79	350	390	35	25	S52	1.43	400	150	35	20	S51	0.99
	1200	30	50	S47	2.89		390	35	30	S53	1.51		180	22	30	S23	1.10
	1200	35	35	S54	2.85		470	22	55	S28	1.78		180	22	35	S24	1.13
	1200	35	40	S55	3.18		470	25	45	S36	1.71		180	22	45	S26	1.19
	1200	35	45	S56	3.30		470	25	50	S37	1.83		180	25	25	S32	1.09
	1500	30	55	S48	3.35		470	30	35	S44	1.67		180	25	30	S33	1.11
	1500	35	40	S55	3.28		470	30	40	S45	1.69		180	25	35	S34	1.16
	1500	35	45	S56	3.69		470	35	30	S53	1.66		180	25	40	S35	1.19
	1500	35	50	S57	3.80		470	35	35	S54	1.69		180	30	20	S41	1.07
	1800	35	50	S57	4.16		560	25	50	S37	1.90		180	30	25	S42	1.10
	2200	35	60	S59	4.93		560	30	40	S45	1.84		180	30	30	S43	1.17
350	82	22	20	S21	0.55	350	560	35	30	S53	1.81	400	180	35	20	S51	1.08
	100	22	20	S21	0.61		560	35	35	S54	1.85		180	35	25	S52	1.12
	100	22	25	S22	0.69		680	22	60	S29	2.21		220	22	35	S24	1.25
	100	25	20	S31	0.69		680	30	45	S46	2.10		220	22	40	S25	1.29
	120	22	20	S21	0.67		680	30	50	S47	2.18		220	22	50	S27	1.35
	120	22	25	S22	0.75		680	35	35	S54	2.04		220	25	30	S33	1.23
	120	25	20	S31	0.72		680	35	40	S55	2.07		220	25	35	S34	1.28
	150	22	25	S22	0.84		680	35	45	S56	2.14		220	25	40	S35	1.31
	150	22	30	S23	0.88		820	30	50	S47	2.32		220	25	45	S36	1.35
	150	25	20	S31	0.79		820	35	40	S55	2.28		220	30	25	S42	1.22
	150	25	25	S32	0.88		820	35	45	S56	2.34		220	30	30	S43	1.25
	150	30	20	S41	0.85		1000	30	60	S49	2.72		220	30	35	S44	1.31
	180	22	30	S23	0.96		1000	35	50	S57	2.61		220	35	20	S51	1.20
	180	22	35	S24	0.98		1200	35	55	S58	2.96		220	35	25	S52	1.23
	180	25	25	S32	0.97		47	22	20	S21	0.48		270	22	40	S25	1.43
	180	25	30	S33	0.99	56	22	20	S21	0.53	270		22	45	S26	1.46	
	180	30	20	S41	0.93	68	22	20	S21	0.58	270		25	35	S34	1.42	
	180	35	20	S51	0.94	68	22	25	S22	0.65	270		25	40	S35	1.45	
	220	22	30	S23	1.06	68	25	20	S31	0.66	270		25	45	S36	1.49	
	220	22	35	S24	1.08	82	22	20	S21	0.64	270		25	50	S37	1.60	
	220	25	25	S32	1.07	82	22	25	S22	0.71	270		30	25	S42	1.35	
	220	25	30	S33	1.09	82	22	30	S23	0.74	270		30	30	S43	1.39	
	220	30	20	S41	1.03	82	25	20	S31	0.68	270		30	35	S44	1.45	
	220	30	25	S42	1.06	82	25	25	S32	0.75	270		30	40	S45	1.47	
	220	35	20	S51	1.04	100	22	25	S22	0.79	270		35	25	S52	1.37	
	270	22	35	S24	1.20	100	22	30	S23	0.82	270		35	30	S53	1.41	
	270	22	40	S25	1.24	100	25	20	S31	0.75	330		22	50	S27	1.65	
	270	25	30	S33	1.21	100	25	25	S32	0.81	330		25	40	S35	1.61	
	270	25	35	S34	1.23	100	30	20	S41	0.80	330		25	45	S36	1.65	
	270	30	25	S42	1.17	100	30	20	S41	0.80	330		25	50	S37	1.70	
	270	30	30	S43	1.24	120	22	25	S22	0.86	330		30	30	S43	1.53	
	270	35	20	S51	1.15	120	22	30	S23	0.90	330		30	35	S44	1.61	
	270	35	25	S52	1.19	120	22	35	S24	0.92	330		30	35	S44	1.61	
330	22	40	S25	1.37	120	25	20	S31	0.82	330	30	40	S45	1.62			
330	22	45	S26	1.40	120	25	25	S32	0.88	330	30	45	S46	1.68			
330	25	35	S34	1.36	120	25	30	S33	0.91	330	35	25	S52	1.51			
330	25	40	S35	1.40	120	30	20	S41	0.87	330	35	30	S53	1.56			
330	30	25	S42	1.29	120	30	25	S42	0.90	330	35	35	S54	1.62			
330	30	30	S43	1.37	150	22	30	S23	0.99	390	22	60	S29	1.92			
330	35	25	S52	1.31	150	22	35	S24	1.03	390	25	45	S36	1.79			
390	22	50	S27	1.56	150	22	40	S25	1.07	390	25	50	S37	1.85			
390	25	40	S35	1.52	150	25	25	S32	0.99	390	30	35	S44	1.75			
390	25	45	S36	1.56	150	25	30	S33	1.01	390	30	40	S45	1.77			
390	30	30	S43	1.49	150	25	35	S34	1.05	390	30	45	S46	1.83			
390	30	35	S44	1.52	150	30	20	S41	0.98	390	30	50	S47	1.90			
						400	150	30	25	S42	1.00	390	35	30	S53	1.69	

(Note) Rated ripple current : 105°C , 120Hz

NOTE : Design, Specifications are subject to change without notice.
It is recommended that you shall obtain technical specifications from ELNA to ensure that the component is suitable for your use.

Standard Ratings

Rated voltage (V)	Rated capacitance (μF)	Case (mm)		Casing Symbol	Rated ripple current (Arms)	Rated voltage (V)	Rated capacitance (μF)	Case (mm)		Casing Symbol	Rated ripple current (Arms)	Rated voltage (V)	Rated capacitance (μF)	Case (mm)		Casing Symbol	Rated ripple current (Arms)	
		D	L					D	L					D	L			
400	390	35	35	S54	1.76	450	100	30	25	S42	0.82	450	220	30	35	S44	1.31	
	390	35	40	S55	1.81		120	22	30	S23	0.90		220	30	40	S45	1.33	
	470	25	55	S38	2.18		120	22	35	S24	0.92		220	35	25	S52	1.23	
	470	30	40	S45	1.94		120	22	40	S25	0.95		220	35	30	S53	1.29	
	470	30	45	S46	2.01		120	22	45	S26	0.97		270	22	50	S27	1.50	
	470	30	50	S47	2.05		120	25	25	S32	0.88		270	25	40	S35	1.45	
	470	35	35	S54	1.93		120	25	30	S33	0.93		270	25	45	S36	1.49	
	470	35	40	S55	1.98		120	25	35	S34	0.95		270	30	30	S43	1.43	
	470	35	45	S56	2.04		120	30	20	S41	0.87		270	30	35	S44	1.45	
	560	30	45	S46	2.19		120	30	25	S42	0.90		270	30	40	S45	1.47	
	560	30	50	S47	2.27		120	35	20	S51	0.89		270	30	45	S46	1.52	
	560	35	35	S54	2.11		150	22	35	S24	1.03		270	35	25	S52	1.37	
	560	35	40	S55	2.16		150	22	45	S26	1.09		270	35	30	S53	1.44	
	560	35	45	S56	2.30		150	22	50	S27	1.12		270	35	35	S54	1.46	
	560	35	50	S57	2.48		150	25	30	S33	1.03		330	25	50	S37	1.76	
	680	30	55	S48	2.59		150	25	35	S34	1.05		330	30	35	S44	1.61	
	680	35	40	S55	2.39		150	25	40	S35	1.07		330	30	40	S45	1.62	
	680	35	45	S56	2.53		150	30	25	S42	1.00		330	30	50	S47	1.90	
	820	35	50	S57	3.00		150	30	30	S43	1.05		330	35	30	S53	1.60	
	1000	35	55	S58	3.43		150	35	20	S51	0.99		330	35	35	S54	1.62	
450	56	22	20	S21	0.53	150	35	25	S52	1.02	390	25	55	S38	1.98			
	56	22	25	S22	0.59	180	22	40	S25	1.17	390	30	40	S45	1.77			
	68	22	20	S21	0.58	180	22	50	S27	1.22	390	30	45	S46	1.83			
	68	22	25	S22	0.65	180	25	30	S33	1.13	390	35	35	S54	1.76			
	68	22	30	S23	0.68	180	25	35	S34	1.16	390	35	40	S55	2.00			
	68	25	20	S31	0.66	180	25	40	S35	1.19	470	30	45	S46	2.01			
	68	25	25	S32	0.68	180	25	45	S36	1.24	470	30	50	S47	2.13			
	82	22	25	S22	0.71	180	30	25	S42	1.10	470	35	35	S54	1.93			
	82	22	30	S23	0.74	180	30	30	S43	1.14	470	35	40	S55	2.20			
	82	22	35	S24	0.76	180	30	35	S44	1.19	470	35	45	S56	2.27			
	82	25	20	S31	0.68	180	35	20	S51	1.08	560	30	45	S46	2.19			
	82	25	25	S32	0.73	180	35	25	S52	1.12	560	30	50	S47	2.27			
	100	22	25	S22	0.79	220	22	45	S26	1.32	560	35	35	S54	2.11			
	100	22	30	S23	0.82	220	25	35	S34	1.28	560	35	40	S55	2.40			
	100	22	35	S24	0.84	220	25	40	S35	1.31	560	35	45	S56	2.48			
	100	22	40	S25	0.87	220	25	45	S36	1.35	680	35	50	S57	2.61			
	100	25	25	S32	0.81	220	25	50	S37	1.46	820	35	60	S59	3.07			
	100	25	30	S33	0.86	220	30	25	S42	1.22								
	100	30	20	S41	0.80	220	30	30	S43	1.27								

(Note) Rated ripple current : 105°C , 120Hz

Standard Ratings

Rated voltage (V)	Rated capacitance (μF)	Case (mm)		Casing Symbol	Rated ripple current (Arms)	Rated voltage (V)	Rated capacitance (μF)	Case (mm)		Casing Symbol	Rated ripple current (Arms)
		D	L					D	L		
500	39	22	20	S21	0.44	500	150	35	20	S51	0.99
	47	22	20	S21	0.48		150	35	25	S52	1.02
	47	25	20	S31	0.55		180	22	45	S26	1.19
	56	22	20	S21	0.53		180	22	50	S27	1.22
	56	22	25	S22	0.59		180	25	40	S35	1.19
	56	25	20	S31	0.57		180	25	45	S36	1.22
	68	22	25	S22	0.65		180	30	30	S43	1.14
	68	22	30	S23	0.68		180	30	35	S44	1.16
	68	25	20	S31	0.62		180	35	25	S52	1.12
	68	25	25	S32	0.68		180	35	30	S53	1.15
	68	30	20	S41	0.66		220	22	55	S28	1.40
	82	22	25	S22	0.71		220	25	45	S36	1.35
	82	22	30	S23	0.74		220	25	50	S37	1.39
	82	25	25	S32	0.73		220	30	35	S44	1.31
	82	25	30	S33	0.77		220	30	40	S45	1.33
	82	30	20	S41	0.72		220	35	25	S52	1.23
	100	22	30	S23	0.82		220	35	30	S53	1.27
	100	22	35	S24	0.84		270	25	50	S37	1.54
	100	25	25	S32	0.81		270	30	40	S45	1.47
	100	25	30	S33	0.85		270	30	45	S46	1.52
	100	30	20	S41	0.80		270	35	30	S53	1.41
	100	30	25	S42	0.82		270	35	35	S54	1.46
	100	35	20	S51	0.81		330	25	60	S39	1.88
	120	22	35	S24	0.92		330	30	45	S46	1.68
	120	22	40	S25	0.95		330	30	50	S47	1.71
	120	25	30	S33	0.92		330	35	35	S54	1.62
	120	25	35	S34	0.95		330	35	40	S55	1.66
	120	30	25	S42	0.90		390	30	50	S47	1.77
	120	30	30	S43	0.93		390	35	40	S55	1.81
	120	35	20	S51	0.89		390	35	45	S56	1.86
150	22	40	S25	1.07	470	30	60	S49	2.23		
150	22	45	S26	1.09	470	35	45	S56	2.04		
150	25	35	S34	1.05	470	35	50	S57	2.06		
150	25	40	S35	1.08	560	35	50	S57	2.25		
150	30	25	S42	1.00	680	35	60	S59	2.66		
150	30	30	S43	1.02							

(Note) Rated ripple current : 105°C , 120Hz

LAX, LTX LARGE CAPACITANCE ALUMINUM ELECTROLYTIC CAPACITORS ELNA

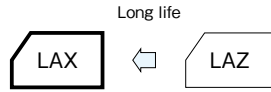
Ultra Long Life, High-Reliability Capacitors

GREEN CAP 105°C 5000hours



Marking color : White print on a black sleeve

- Ultra Long Life, high-reliability capacitors.
- Guarantees 5000 hours at 105°C.
- Best suited to On-Board-Charger for EV, PHEV.

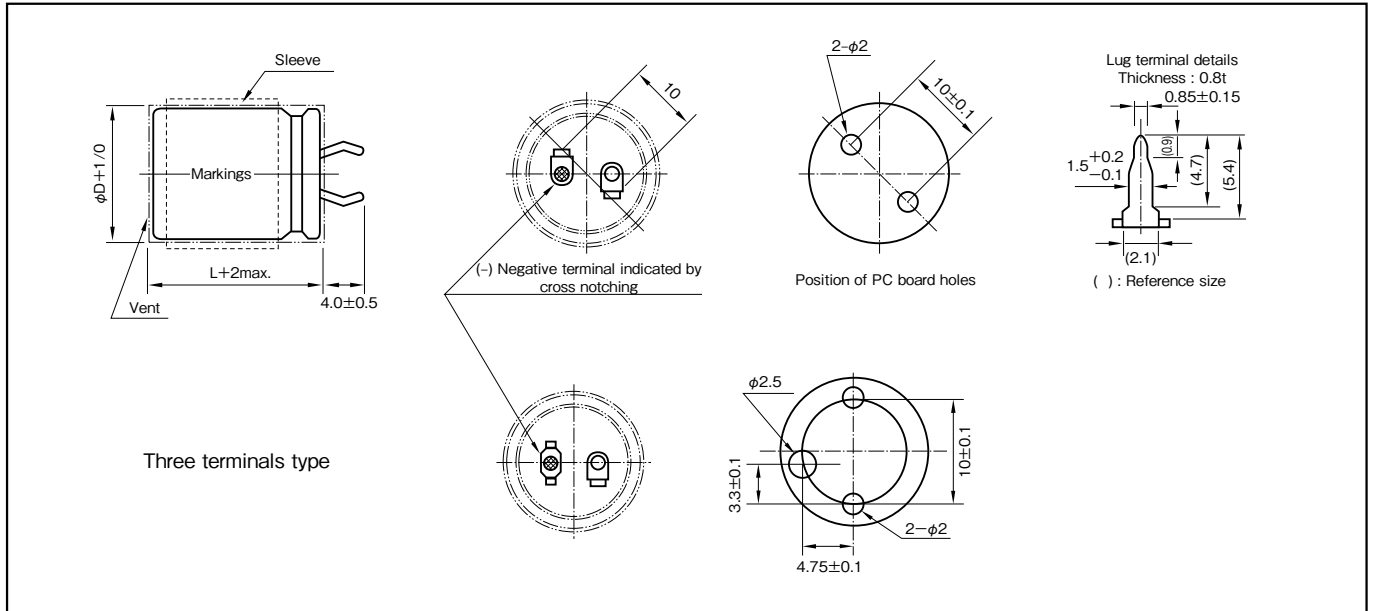


Specifications

Item	Performance		
Category temperature range (°C)	-25 to +105		
Tolerance at rated capacitance (%)	±20 (20°C, 120Hz)		
Leakage current (µA) (max.)	$3\sqrt{CV}$ (after 5 minutes) C : Rated capacitance (µF) ; V : Rated voltage (V) (20°C)		
Tangent of loss angle (tanδ)	Rated voltage (V)	160 to 250	350 to 500
	tanδ (max.)	0.15	0.20
Characteristics at high and low temperature	Percentage of capacitance change (%)	-25°C	Within ±30% of the value at 20°C
	Impedance ratio (max.)	Z-25°C/Z+20°C	4
Endurance (105°C) (Applied ripple current)	Test time	5000 hours	
	Leakage current	The initial specified value or less	
	Percentage of capacitance change	Within ±20% of initial value	
	Tangent of the loss angle	200% or less of the initial specified value	
Shelf life (105°C)	Test time	1000 hours	
	Leakage current	The initial specified value or less	
	Percentage of capacitance change	Within ±15% of initial value	
	Tangent of the loss angle	150% or less of the initial specified value	
Voltage application treatment : According to JIS C5101-4 4.1			
Applicable standards	JIS C5101 - 1, - 4 (IEC 60384 - 1, - 4)		

Outline Drawing

Unit: mm



Part numbering system					
series LAX, standard terminal type :200V680µF					
LAX	— 200 V	681	M	S34 #	B
Series code	Rated voltage symbol	Rated capacitance symbol	Capacitance tolerance symbol	Casing symbol	Optional symbol
series LTX, three terminals type :400V330µF					
LTX	— 400 V	331	M	S53 #	B
Series code	Rated voltage symbol	Rated capacitance symbol	Capacitance tolerance symbol	Casing symbol	Optional symbol

Coefficient of Frequency for Rated Ripple Current

Rated voltage (V)	Frequency (Hz)				
	50	120	1k	10k	30k
160 to 250	0.81	1	1.32	1.45	1.50
350 or more	0.77	1	1.30	1.41	1.43

NOTE : Design, Specifications are subject to change without notice.
It is recommended that you shall obtain technical specifications from ELNA to ensure that the component is suitable for your use.

Standard Ratings

Rated voltage (V)	Rated capacitance (μF)	Case (mm)		Casing Symbol	Rated ripple current (Arms)	Rated voltage (V)	Rated capacitance (μF)	Case (mm)		Casing Symbol	Rated ripple current (Arms)	Rated voltage (V)	Rated capacitance (μF)	Case (mm)		Casing Symbol	Rated ripple current (Arms)	
		D	L					D	L					D	L			
160	220	22	20	S21	0.90	160	1000	35	25	S52	2.60	180	680	22	35	S24	1.90	
	270	22	20	S21	1.00		1000	35	35	S54	2.89		680	22	40	S25	1.97	
	270	22	25	S22	1.12		1200	22	50	S27	2.84		680	25	30	S33	1.91	
	270	25	20	S31	1.13		1200	25	45	S36	2.90		680	25	35	S34	1.95	
	330	22	25	S22	1.24		1200	30	30	S43	2.84		680	30	25	S42	1.86	
	330	22	30	S23	1.29		1200	30	35	S44	2.96		680	30	30	S43	1.97	
	330	25	20	S31	1.25		1200	30	50	S47	3.33		680	35	20	S51	1.83	
	390	22	25	S22	1.35		1200	35	25	S52	2.69		820	22	40	S25	2.17	
	390	22	35	S24	1.43		1200	35	30	S53	2.95		820	22	45	S26	2.21	
	390	25	20	S31	1.36		1500	25	50	S37	3.38		820	25	35	S34	2.14	
	390	25	25	S32	1.45		1500	30	40	S45	3.21		820	25	40	S35	2.20	
	470	22	25	S22	1.48		1500	35	30	S53	3.06		820	30	25	S42	2.04	
	470	22	30	S23	1.50		1500	35	35	S54	3.21		820	30	30	S43	2.17	
	470	22	40	S25	1.63		1500	35	40	S55	3.60		820	35	20	S51	2.01	
	470	25	25	S32	1.53		1800	25	60	S39	3.97		820	35	25	S52	2.11	
	470	25	30	S33	1.55		1800	30	45	S46	3.91		1000	22	45	S26	2.44	
	470	30	20	S41	1.50		1800	35	35	S54	3.52		1000	22	50	S27	2.50	
	560	22	30	S23	1.68		1800	35	50	S57	4.31		1000	25	40	S35	2.43	
	560	22	35	S24	1.75		2200	30	50	S47	4.16		1000	25	45	S36	2.49	
	560	22	45	S26	1.81		2200	35	40	S55	4.36		1000	30	30	S43	2.39	
	560	25	25	S32	1.63		2700	30	60	S49	4.92		1000	30	35	S44	2.43	
	560	25	30	S33	1.73		2700	35	50	S57	5.03		1000	35	25	S52	2.33	
	560	25	35	S34	1.76		3300	35	55	S58	5.68		1000	35	30	S53	2.42	
	560	30	20	S41	1.63		3900	35	60	S59	6.39		1200	22	55	S28	2.85	
	560	30	25	S42	1.68		180	180	22	20	S21		0.82	1200	25	45	S36	2.73
	560	35	20	S51	1.82			220	22	20	S21		0.91	1200	25	50	S37	2.92
	680	22	35	S24	1.93			270	22	20	S21		1.00	1200	30	35	S44	2.66
	680	22	50	S27	2.05			270	22	25	S22		1.13	1200	30	40	S45	2.69
	680	25	30	S33	1.91			270	25	20	S31		1.14	1200	35	25	S52	2.55
	680	25	35	S34	1.98			330	22	25	S22		1.25	1200	35	30	S53	2.65
680	25	40	S35	2.00	330	25		20	S31	1.20	1500	25	50	S37	3.12			
680	30	25	S42	1.85	390	22		25	S22	1.35	1500	30	40	S45	3.01			
680	30	30	S43	1.96	390	22		30	S23	1.41	1500	30	45	S46	3.12			
680	35	20	S51	2.01	390	25		20	S31	1.29	1500	35	30	S53	2.96			
820	22	40	S25	2.17	390	25		25	S32	1.42	1500	35	35	S54	3.02			
820	25	35	S34	2.17	390	30		20	S41	1.37	1800	25	60	S39	3.83			
820	25	45	S36	2.40	470	22		30	S23	1.55	1800	30	45	S46	3.42			
820	30	25	S42	2.03	470	22		35	S24	1.58	1800	30	50	S47	3.54			
820	30	30	S43	2.35	470	25		25	S32	1.56	1800	35	35	S54	3.31			
820	30	35	S44	2.45	470	25		30	S33	1.62	1800	35	40	S55	3.37			
820	35	20	S51	2.20	470	30		20	S41	1.50	2200	30	50	S47	3.83			
820	35	25	S52	2.35	560	22		30	S23	1.69	2200	35	40	S55	3.73			
820	35	30	S53	2.49	560	22		35	S24	1.73	2200	35	45	S56	3.84			
1000	22	45	S26	2.42	560	25		25	S32	1.67	2700	30	60	S49	4.64			
1000	25	35	S34	2.40	560	25		30	S33	1.74	2700	35	45	S56	4.25			
1000	25	40	S35	2.47	560	30		20	S41	1.64	2700	35	50	S57	4.29			
1000	30	30	S43	2.45	560	30		25	S42	1.69	3300	35	55	S58	4.92			
1000	30	40	S45	2.58	560	35		20	S51	1.66								

(Note) Rated ripple current : 105°C , 120Hz

NOTE : Design, Specifications are subject to change without notice.
It is recommended that you shall obtain technical specifications from ELNA to ensure that the component is suitable for your use.

Standard Ratings

Rated voltage (V)	Rated capacitance (μF)	Case (mm)		Casing Symbol	Rated ripple current (Arms)	Rated voltage (V)	Rated capacitance (μF)	Case (mm)		Casing Symbol	Rated ripple current (Arms)	Rated voltage (V)	Rated capacitance (μF)	Case (mm)		Casing Symbol	Rated ripple current (Arms)
		D	L					D	L					D	L		
200	180	22	20	S21	0.82	200	1000	22	55	S28	2.59	250	390	25	30	S33	1.41
	180	22	25	S22	0.92		1000	25	45	S36	2.49		390	25	40	S35	1.65
	220	22	20	S21	0.91		1000	30	35	S44	2.40		390	30	25	S42	1.47
	220	25	20	S31	1.03		1000	30	50	S47	2.64		390	35	20	S51	1.41
	270	22	25	S22	1.17		1000	35	30	S53	2.40		470	22	40	S25	1.64
	270	22	30	S23	1.29		1000	35	40	S55	2.52		470	25	30	S33	1.61
	270	25	20	S31	1.09		1200	25	55	S38	3.02		470	25	35	S34	1.63
	270	25	25	S32	1.18		1200	30	40	S45	2.69		470	25	50	S37	1.83
	330	22	25	S22	1.29		1200	35	30	S53	2.63		470	30	25	S42	1.61
	330	22	30	S23	1.30		1200	35	35	S54	2.65		470	30	30	S43	1.65
	330	22	35	S24	1.48		1200	35	45	S56	2.84		470	30	35	S44	1.67
	330	25	25	S32	1.30		1500	25	60	S39	3.49		470	35	20	S51	1.55
	330	25	30	S33	1.31		1500	30	45	S46	3.12		470	35	25	S52	1.65
	330	30	30	S41	1.26		1500	35	35	S54	2.97		470	35	30	S53	1.66
	390	22	20	S23	1.40		1500	35	40	S55	3.45		560	22	45	S26	1.82
	390	22	40	S25	1.65		1500	35	50	S57	3.80		560	25	35	S34	1.77
	390	25	25	S32	1.37		1800	30	50	S47	3.54		560	25	40	S35	1.82
	390	30	20	S41	1.37		1800	35	40	S55	3.59		560	30	30	S43	1.80
	390	30	25	S42	1.41		1800	35	45	S56	4.00		560	30	40	S45	2.01
	470	22	30	S23	1.53		2200	30	60	S49	4.19		560	35	25	S52	1.80
	470	22	35	S24	1.61		2200	35	45	S56	4.13		560	35	35	S54	1.94
	470	22	45	S26	1.79		2200	35	50	S57	4.60		680	22	50	S27	2.06
	470	25	25	S32	1.50		2700	35	55	S58	5.28		680	25	40	S35	2.01
	470	25	30	S33	1.56		3300	35	60	S59	6.03		680	25	45	S36	2.06
	470	25	35	S34	1.62		120	22	20	S21	0.67		680	30	30	S43	1.98
	470	30	20	S41	1.50		150	22	20	S21	0.75		680	30	35	S44	2.04
	470	30	25	S42	1.60		150	22	25	S22	0.84		680	30	45	S46	2.27
	470	30	30	S43	1.64		150	25	20	S31	0.92		680	35	25	S52	1.98
	470	35	20	S51	1.67		180	22	20	S21	0.82		680	35	30	S53	2.04
	560	22	35	S24	1.73		180	22	25	S22	1.00		680	35	40	S55	2.40
560	22	40	S25	1.79	180	22	30	S23	1.09	820	22	60	S29	2.42			
560	25	30	S33	1.70	180	25	20	S31	1.01	820	25	45	S36	2.26			
560	25	35	S34	1.77	180	25	25	S32	1.09	820	25	50	S37	2.42			
560	25	40	S35	1.82	220	22	25	S22	1.11	820	30	35	S44	2.24			
560	30	25	S42	1.75	220	22	35	S24	1.24	820	30	40	S45	2.42			
560	30	35	S44	1.82	220	25	20	S31	1.02	820	30	50	S47	2.65			
560	35	20	S51	1.82	270	22	25	S22	1.13	820	35	30	S53	2.24			
680	22	40	S25	1.97	270	22	30	S23	1.25	820	35	35	S54	2.35			
680	25	35	S34	1.95	270	22	40	S25	1.40	1000	25	55	S38	2.66			
680	25	50	S37	2.20	270	25	25	S32	1.15	1000	30	40	S45	2.67			
680	30	25	S42	1.92	270	25	30	S33	1.28	1000	30	45	S46	2.69			
680	30	30	S43	1.97	270	30	20	S41	1.14	1000	35	30	S53	2.47			
680	30	40	S45	2.03	270	30	25	S42	1.17	1000	35	35	S54	2.60			
680	35	25	S52	1.96	330	22	30	S23	1.30	1000	35	45	S56	3.01			
680	35	30	S53	2.00	330	22	35	S24	1.50	1200	30	45	S46	2.79			
820	22	45	S26	2.21	330	22	45	S26	1.57	1200	30	50	S47	2.89			
820	22	50	S27	2.27	330	25	25	S32	1.27	1200	35	35	S54	2.85			
820	25	40	S35	2.20	330	25	30	S33	1.33	1200	35	40	S55	3.18			
820	30	30	S43	2.17	330	25	35	S34	1.57	1500	30	55	S48	3.35			
820	30	35	S44	2.18	330	30	20	S41	1.26	1500	35	45	S56	3.69			
820	30	45	S46	2.31	330	30	30	S43	1.37	1800	35	50	S57	4.16			
820	35	25	S52	2.07	330	35	20	S51	1.30	2200	35	60	S59	4.93			
820	35	30	S53	2.18	390	22	35	S24	1.52								
820	35	35	S54	2.19	390	22	50	S27	1.65								

(Note) Rated ripple current : 105°C , 120Hz

NOTE : Design, Specifications are subject to change without notice.
It is recommended that you shall obtain technical specifications from ELNA to ensure that the component is suitable for your use.

Standard Ratings

Rated voltage (V)	Rated capacitance (μF)	Case (mm)		Casing Symbol	Rated ripple current (Arms)	Rated voltage (V)	Rated capacitance (μF)	Case (mm)		Casing Symbol	Rated ripple current (Arms)	Rated voltage (V)	Rated capacitance (μF)	Case (mm)		Casing Symbol	Rated ripple current (Arms)
		D	L					D	L					D	L		
350	82	22	20	S21	0.55	350	470	25	50	S37	1.83	400	180	22	35	S24	1.13
	100	22	20	S21	0.61		470	30	35	S44	1.67		180	25	30	S33	1.11
	100	25	20	S31	0.69		470	30	40	S45	1.69		180	25	45	S36	1.22
	120	22	20	S21	0.67		470	35	30	S53	1.66		180	30	25	S42	1.10
	120	22	25	S22	0.75		470	35	35	S54	1.69		180	30	35	S44	1.19
	120	25	20	S31	0.72		560	25	50	S37	1.90		180	35	20	S51	1.08
	150	22	25	S22	0.84		560	30	40	S45	1.84		220	22	40	S25	1.29
	150	22	30	S23	0.88		560	35	30	S53	1.81		220	25	30	S33	1.23
	150	25	20	S31	0.79		560	35	35	S54	1.85		220	25	35	S34	1.28
	150	25	25	S32	0.88		680	22	60	S29	2.21		220	25	50	S37	1.44
	150	30	20	S41	0.85		680	30	45	S46	2.10		220	30	25	S42	1.22
	180	22	25	S22	0.92		680	30	50	S47	2.18		220	30	30	S43	1.25
	180	22	30	S23	0.96		680	35	35	S54	2.04		220	30	40	S45	1.33
	180	25	25	S32	0.97		680	35	40	S55	2.07		220	35	20	S51	1.20
	180	25	30	S33	0.99		820	30	50	S47	2.32		220	35	25	S52	1.23
	180	30	20	S41	0.93		820	35	40	S55	2.28		220	35	30	S53	1.27
	180	35	20	S51	0.94		820	35	45	S56	2.34		270	22	45	S26	1.46
	220	22	30	S23	1.06		1000	30	60	S49	2.72		270	25	35	S34	1.42
	220	22	35	S24	1.08		1000	35	50	S57	2.61		270	25	40	S35	1.45
	220	25	25	S32	1.07		1200	35	55	S58	2.96		270	30	30	S43	1.39
	220	25	30	S33	1.09		56	22	20	S21	0.53		270	35	25	S52	1.37
	220	30	20	S41	1.03		56	22	25	S22	0.59		270	35	35	S54	1.46
	220	30	25	S42	1.06		68	22	20	S21	0.58		330	22	55	S28	1.71
	220	35	20	S51	1.04		68	22	30	S23	0.68		330	25	40	S35	1.61
	270	22	35	S24	1.20		82	22	20	S21	0.64		330	25	45	S36	1.65
	270	22	40	S25	1.24		82	22	25	S22	0.71		330	30	35	S44	1.61
	270	25	30	S33	1.21		82	22	35	S24	0.76		330	30	50	S47	1.74
	270	25	35	S34	1.23		82	25	20	S31	0.68		330	35	25	S52	1.51
270	30	25	S42	1.17	82	25	25	S32	0.75	330	35	30	S53	1.56			
270	30	30	S43	1.24	100	22	25	S22	0.79	330	35	40	S55	1.66			
270	35	20	S51	1.15	100	25	20	S31	0.75	390	25	50	S37	1.85			
270	35	25	S52	1.19	100	25	30	S33	0.83	390	25	55	S38	1.98			
330	22	40	S25	1.37	100	30	25	S42	0.82	390	30	40	S45	1.77			
330	22	45	S26	1.40	120	22	25	S22	0.86	390	35	30	S53	1.69			
330	25	35	S34	1.36	120	22	30	S23	0.90	390	35	35	S54	1.76			
330	25	40	S35	1.40	120	22	40	S25	0.95	390	35	45	S56	1.86			
330	30	25	S42	1.29	120	25	25	S32	0.88	470	25	60	S39	2.25			
330	30	30	S43	1.37	120	25	35	S34	0.94	470	30	45	S46	2.01			
330	35	25	S52	1.31	120	30	20	S41	0.87	470	35	35	S54	1.93			
390	22	50	S27	1.56	150	22	30	S23	0.99	470	35	50	S57	2.06			
390	25	40	S35	1.52	150	22	35	S24	1.03	560	30	50	S47	2.27			
390	25	45	S36	1.56	150	22	50	S27	1.11	560	35	40	S55	2.16			
390	30	30	S43	1.49	150	25	25	S32	0.99	680	30	55	S48	2.59			
390	30	35	S44	1.52	150	25	30	S33	1.01	680	35	45	S56	2.53			
390	35	25	S52	1.43	150	25	40	S35	1.08	680	35	50	S57	2.73			
390	35	30	S53	1.51	150	30	20	S41	0.98	820	35	50	S57	3.00			
470	22	55	S28	1.78	150	30	30	S43	1.07	1000	35	60	S59	3.55			
470	25	45	S36	1.71	150	35	20	S51	0.99								

(Note) Rated ripple current : 105°C , 120Hz

Standard Ratings

Rated voltage (V)	Rated capacitance (μF)	Case (mm)		Casing Symbol	Rated ripple current (Arms)	Rated voltage (V)	Rated capacitance (μF)	Case (mm)		Casing Symbol	Rated ripple current (Arms)	Rated voltage (V)	Rated capacitance (μF)	Case (mm)		Casing Symbol	Rated ripple current (Arms)
		D	L					D	L					D	L		
450	56	22	20	S21	0.53	450	220	25	40	S35	1.31	500	100	22	35	S24	0.84
	56	25	20	S31	0.60		220	30	30	S43	1.27		100	25	25	S32	0.81
	68	22	20	S21	0.58		220	30	35	S44	1.31		100	25	30	S33	0.85
	68	22	25	S22	0.65		220	30	45	S46	1.37		100	30	20	S41	0.80
	68	22	30	S23	0.68		220	35	25	S52	1.23		100	30	25	S42	0.82
	68	25	20	S31	0.66		220	35	30	S53	1.29		100	35	20	S51	0.81
	82	22	25	S22	0.71		220	35	35	S54	1.32		120	22	35	S24	0.92
	82	22	30	S23	0.74		270	22	50	S27	1.50		120	22	40	S25	0.95
	82	22	35	S24	0.76		270	25	40	S35	1.45		120	25	30	S33	0.92
	82	25	20	S31	0.68		270	25	45	S36	1.49		120	25	35	S34	0.95
	82	25	25	S32	0.73		270	30	35	S44	1.45		120	30	25	S42	0.90
	82	25	30	S33	0.77		270	30	40	S45	1.47		120	30	30	S43	0.93
	82	30	20	S41	0.72		270	30	50	S47	1.58		120	35	20	S51	0.89
	82	30	25	S42	0.74		270	35	25	S52	1.37		150	22	40	S25	1.07
	100	22	25	S22	0.79		270	35	30	S53	1.44		150	22	45	S26	1.09
	100	22	30	S23	0.82		270	35	40	S55	1.50		150	25	35	S34	1.05
	100	22	40	S25	0.87		330	25	50	S37	1.76		150	25	40	S35	1.08
	100	25	25	S32	0.81		330	30	40	S45	1.62		150	30	25	S42	1.00
	100	25	35	S34	0.88		330	30	45	S46	1.68		150	30	30	S43	1.02
	100	30	20	S41	0.80		330	35	30	S53	1.60		150	35	25	S52	1.02
	120	22	30	S23	0.90		330	35	35	S54	1.62		180	22	45	S26	1.19
	120	22	35	S24	0.92		330	35	45	S56	1.71		180	22	50	S27	1.22
	120	22	50	S27	1.00		390	25	55	S38	1.98		180	25	40	S35	1.19
	120	25	25	S32	0.88		390	30	40	S45	1.77		180	25	45	S36	1.22
	120	25	30	S33	0.93		390	30	45	S46	1.83		180	30	30	S43	1.14
	120	25	40	S35	0.97		390	30	50	S47	2.07		180	30	35	S44	1.16
	120	30	20	S41	0.87		390	35	35	S54	1.76		180	35	25	S52	1.12
	120	30	25	S42	0.90		390	35	40	S55	2.00		180	35	30	S53	1.15
	120	30	30	S43	0.95		390	35	50	S57	2.08		220	22	55	S28	1.40
	120	35	20	S51	0.89		470	30	50	S47	2.13		220	25	45	S36	1.35
	150	22	35	S24	1.03		470	35	40	S55	2.20		220	25	50	S37	1.39
	150	22	40	S25	1.05		470	35	45	S56	2.27		220	30	35	S44	1.31
	150	25	30	S33	1.03		560	30	55	S48	2.35		220	30	40	S45	1.33
	150	25	35	S34	1.05		560	35	45	S56	2.48		220	35	30	S53	1.27
	150	25	45	S36	1.11		560	35	50	S57	2.50		270	25	50	S37	1.54
	150	30	25	S42	1.00		680	35	50	S57	2.61		270	30	40	S45	1.47
	150	30	30	S43	1.05		820	35	60	S59	3.07		270	30	45	S46	1.52
	150	30	35	S44	1.08		39	22	20	S21	0.44		270	35	30	S53	1.41
	150	35	20	S51	0.99		47	22	20	S21	0.48		270	35	35	S54	1.46
	180	22	40	S25	1.17		47	25	20	S31	0.55		330	25	60	S39	1.88
180	22	45	S26	1.19	56	22	25	S22	0.59	330	30	45	S46	1.68			
180	25	35	S34	1.16	56	25	20	S31	0.57	330	30	50	S47	1.71			
180	25	50	S37	1.30	68	22	25	S22	0.65	330	35	35	S54	1.62			
180	30	25	S42	1.10	68	22	30	S23	0.68	330	35	40	S55	1.66			
180	30	30	S43	1.14	68	25	20	S31	0.62	390	30	50	S47	1.77			
180	30	40	S45	1.20	68	25	25	S32	0.68	390	35	40	S55	1.81			
180	35	20	S51	1.08	68	30	20	S41	0.66	390	35	45	S56	1.86			
180	35	25	S52	1.12	82	22	30	S23	0.74	470	30	60	S49	2.23			
180	35	30	S53	1.15	82	25	25	S32	0.73	470	35	45	S56	2.04			
220	22	45	S26	1.32	82	25	30	S33	0.77	470	35	50	S57	2.06			
220	22	50	S27	1.35	82	30	20	S41	0.72	560	35	55	S58	2.33			
220	25	35	S34	1.28	100	22	30	S23	0.82	680	35	60	S59	2.66			

(Note) Rated ripple current : 105°C , 120Hz

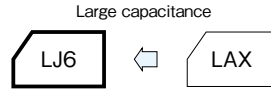
LJ6, LJ2 LARGE CAPACITANCE ALUMINUM ELECTROLYTIC CAPACITORS **ELNA**

Large-Capacitance, Long-Life, High-Reliability Capacitors

GREEN
CAP

105°C
5000hours

- Large-capacitance, Long-life, High-reliability capacitors.
- Guarantees 5000 hours at 105°C.



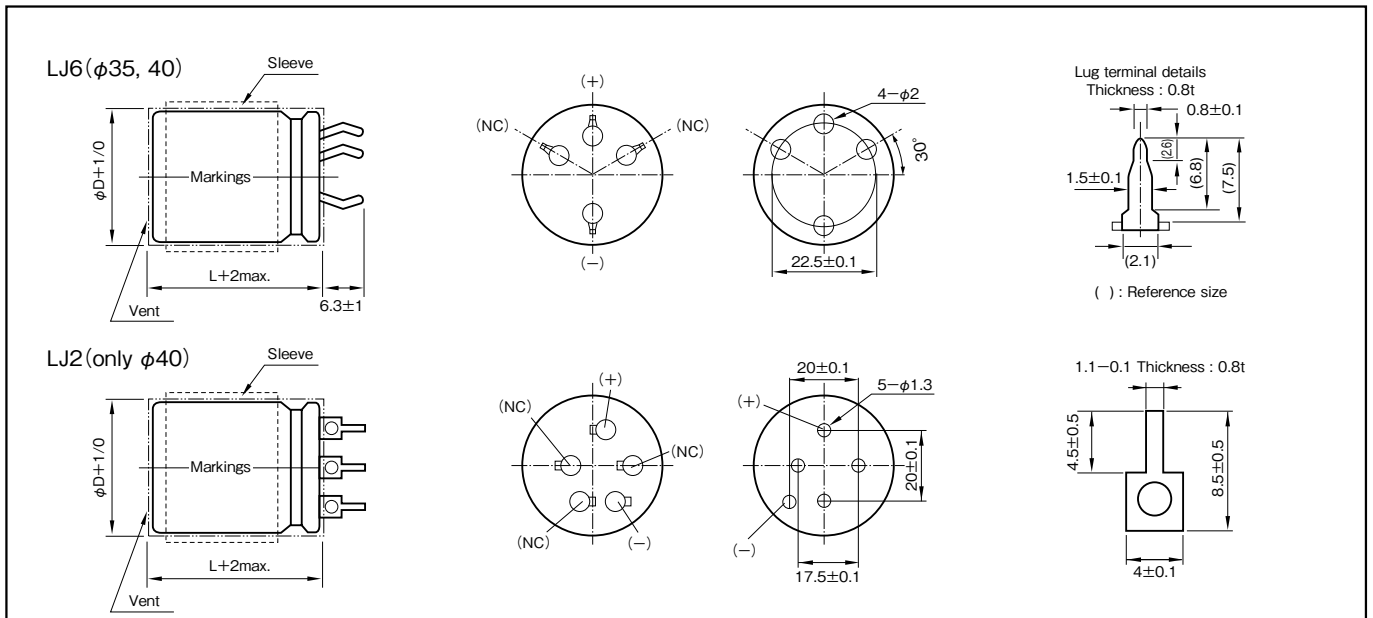
Marking color : White print on a black sleeve

Specifications

Item	Performance	
Category temperature range (°C)	-25~+105	
Tolerance at rated capacitance (%)	±20 (20°C, 120Hz)	
Leakage current (µA) (max.)	0.02CV or 5mA whichever is larger (after 5 minutes) C : Rated capacitance (µF) ; V : Rated voltage (V) (20°C)	
Tangent of loss angle (tanδ)	Rated voltage (V)	200 to 500
	tanδ (max.)	0.15 (20°C, 120Hz)
Characteristics at high and low temperature	Percentage of capacitance change (%)	Within ±30% of the value at 20°C
	Impedance ratio (max.)	4 (120Hz)
Endurance (105°C) (Applied ripple current)	Test time	5000 hours
	Leakage current	The initial specified value or less
	Percentage of capacitance change	Within ±20% of initial value
	Tangent of the loss angle	200% or less of the initial specified value
Shelf life (105°C)	Test time	1000 hours
	Leakage current	The initial specified value or less
	Percentage of capacitance change	Within ±15% of initial value
	Tangent of the loss angle	150% or less of the initial specified value
Voltage application treatment : According to JIS C5101-4 4.1		
Applicable standards	JIS C5101 - 1, - 4 (IEC 60384 - 1, - 4)	

Outline Drawing

Unit : mm



Coefficient of Frequency for Rated Ripple Current

Frequency (Hz)	50	120	1k	10k	30k
Rated voltage (V)					
200 to 250	0.87	1	1.11	1.18	1.20
315 to 500	0.80	1	1.14	1.19	1.20

Part numbering system (example : 350V1500µF)

LJ6	—	350	V	152	M	S5D	#	B
Series code		Rated voltage symbol		Rated capacitance symbol	Capacitance tolerance symbol	Casing symbol		Optional symbol

NOTE : Design, Specifications are subject to change without notice.
It is recommended that you shall obtain technical specifications from ELNA to ensure that the component is suitable for your use.

CAT.No.2021/2022E

Standard Ratings

Rated voltage(V)			200			250			315			350		
Case φD×L(mm)	Casing symbol	Item	Rated capacitance (μF)	ESR (Ω max.)	Rated ripple current (Arms)	Rated capacitance (μF)	ESR (Ω max.)	Rated ripple current (Arms)	Rated capacitance (μF)	ESR (Ω max.)	Rated ripple current (Arms)	Rated capacitance (μF)	ESR (Ω max.)	Rated ripple current (Arms)
35×40	S55		—	—	—	—	—	—	820	0.24	2.23	—	—	—
35×45	S56		—	—	—	—	—	—	1000	0.20	2.62	—	—	—
35×50	S57		2200	0.090	4.05	—	—	—	1200	0.17	3.03	820	0.24	2.10
35×55	S58		—	—	—	1500	0.13	3.17	—	—	—	—	—	—
35×60	S59		2700	0.073	4.77	1800	0.11	3.69	1500	0.13	3.55	1000	0.20	2.46
35×70	S5B		—	—	—	2200	0.09	4.31	1800	0.11	4.07	1200	0.17	2.84
35×80	S5C		3300	0.060	5.56	2700	0.07	5.24	—	—	—	—	—	—
35×90	S5D		—	—	—	—	—	—	—	—	—	1500	0.13	3.34
35×100	S5E		3900	0.051	6.64	—	—	—	—	—	—	1800	0.11	3.82
40×45	S66		2200	0.090	4.40	—	—	—	—	—	—	—	—	—
40×50	S67		—	—	—	1800	0.11	3.77	1200	0.17	3.11	1000	0.20	2.50
40×60	S69		2700	0.073	5.17	2200	0.09	4.43	1500	0.13	3.67	1200	0.17	2.90
40×70	S6B		3300	0.060	6.02	2700	0.07	5.42	1800	0.11	4.21	1500	0.13	3.40
40×80	S6C		3900	0.051	7.00	—	—	—	—	—	—	1800	0.11	3.95

Rated voltage(V)			400			450			500		
Case φD×L(mm)	Casing symbol	Item	Rated capacitance (μF)	ESR (Ω max.)	Rated ripple current (Arms)	Rated capacitance (μF)	ESR (Ω max.)	Rated ripple current (Arms)	Rated capacitance (μF)	ESR (Ω max.)	Rated ripple current (Arms)
35×45	S56		—	—	—	—	—	—	390	0.51	1.65
35×50	S57		—	—	—	560	0.36	2.16	—	—	—
35×55	S58		820	0.24	2.49	—	—	—	—	—	—
35×60	S59		—	—	—	680	0.29	2.53	560	0.36	2.22
35×65	S5A		—	—	—	820	0.24	2.94	—	—	—
35×70	S5B		—	—	—	—	—	—	680	0.29	2.57
35×75	A75		1200	0.17	3.55	—	—	—	—	—	—
35×80	S5C		—	—	—	1000	0.20	3.41	—	—	—
35×100	S5E		—	—	—	1200	0.17	3.90	—	—	—
35×105	AA5		1500	0.13	4.15	—	—	—	—	—	—
40×50	S67		—	—	—	680	0.29	2.45	560	0.36	2.15
40×55	S68		—	—	—	820	0.24	2.84	—	—	—
40×60	S69		1000	0.20	3.10	1000	0.20	3.33	680	0.29	2.51
40×70	S6B		—	—	—	—	—	—	820	0.24	3.05
40×75	B75		1200	0.17	3.65	—	—	—	—	—	—
40×80	S6C		1500	0.13	4.30	1200	0.17	3.65	—	—	—

(Note) Rated ripple current : 105°C , 120Hz ; ESR. : 20°C , 120Hz

LM, LPM LARGE CAPACITANCE ALUMINUM ELECTROLYTIC CAPACITORS ELNA

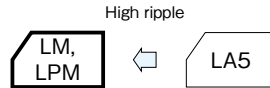
For-Inverter, High-Ripple Capacitors

GREEN CAP 85°C 2000hours

- Withstands high-ripple current generated by the voltage doubler rectifier system.
- Guarantees 2000 hours at 85°C.



Marking color : White print on a black sleeve

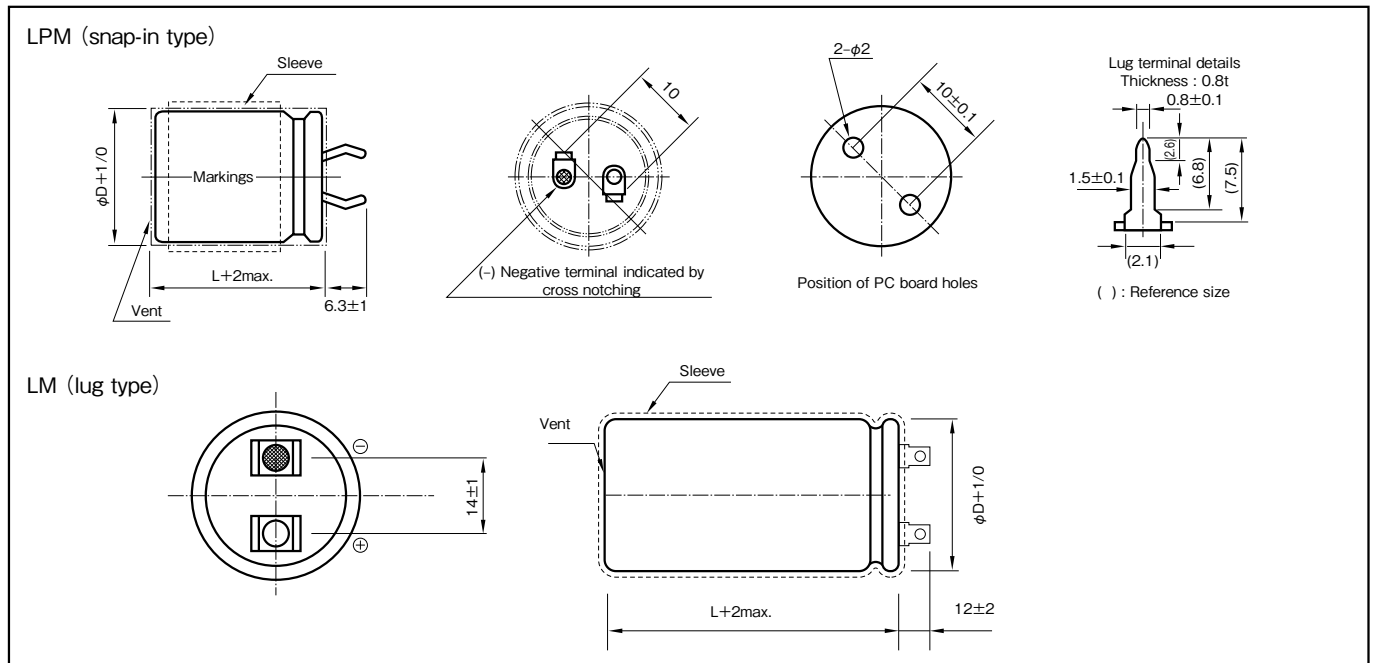


Specifications

Item	Performance	
Category temperature range (°C)	-25 to +85	
Tolerance at rated capacitance (%)	±10 (20°C, 120Hz)	
Leakage current (µA) (max.)	0.01CV or 5mA whichever is larger (after 5 minutes) C : Rated capacitance (µF) ; V : Rated voltage (V) (20°C)	
Tangent of loss angle (tanδ)	Rated voltage (V)	250, 400
	tanδ (max.)	0.05 (20°C, 120Hz)
Characteristics at high and low temperature	Rated voltage (V)	250, 400
	Impedance ratio (max.) Z-25°C/Z+20°C	4 (120Hz)
Endurance (85°C) (Applied ripple current)	Test time	2000 hours
	Leakage current	The initial specified value or less
	Percentage of capacitance change	Within ±20% of initial value
	Tangent of the loss angle	200% or less of the initial specified value
Shelf life (85°C)	Test time	500 hours
	Leakage current	The initial specified value or less
	Percentage of capacitance change	Within ±15% of initial value
	Tangent of the loss angle	150% or less of the initial specified value
Applicable standards	Voltage application treatment : According to JIS C5101-4 4.1 JIS C5101 - 1, - 4 (IEC 60384 - 1, - 4)	

Outline Drawing

Unit : mm



Part numbering system (example : 250V440µF)

LM	—	250	V	441	K	S6E	#	B
Series code		Rated voltage symbol		Rated capacitance symbol	Capacitance tolerance symbol	Casing symbol		Optional symbol

Coefficient of Frequency for Rated Ripple Current

Frequency (Hz)	50	120	400	1k	10k
Rated voltage (V)	0.80	1	1.32	1.46	1.61

NOTE : Design, Specifications are subject to change without notice.
It is recommended that you shall obtain technical specifications from ELNA to ensure that the component is suitable for your use.

LM series Standard Ratings

250V					
Rated capacitance (μ F)	Case (mm)		Casing symbol	ESR (Ω max.)	Rated ripple current (Arms)
	ϕ D	L			
200	40	100	S6E	0.33	3.80
220	40	100	S6E	0.30	4.00
330	40	100	S6E	0.20	4.85
360	40	100	S6E	0.18	5.10
390	40	100	S6E	0.17	5.30
420	40	100	S6E	0.16	5.50
440	40	100	S6E	0.15	5.60

400V					
Rated capacitance (μ F)	Case (mm)		Casing symbol	ESR (Ω max.)	Rated ripple current (Arms)
	ϕ D	L			
90	35	80	S5C	0.74	3.00
	40	80	S6C	0.74	3.00
100	35	90	S5D	0.66	3.20
	40	90	S6D	0.66	3.20
110	35	100	S5E	0.60	3.30
	40	100	S6E	0.60	3.30
150	35	100	S5E	0.44	3.90
	40	100	S6E	0.44	3.90
165	40	100	S6E	0.40	4.10
220	40	100	S6E	0.30	4.10

(Note) Rated ripple current : 85°C , 120Hz ; ESR. : 20°C , 120Hz

LPM series Standard Ratings

250V					
Rated capacitance (μ F)	Case (mm)		Casing symbol	ESR (Ω max.)	Rated ripple current (Arms)
	ϕ D	L			
100	35	40	S55	0.66	1.90
110	35	40	S55	0.60	2.00
165	35	45	S56	0.40	2.45
180	35	50	S57	0.37	2.58
195	35	50	S57	0.34	2.68
210	35	50	S57	0.32	2.78
220	35	50	S57	0.30	2.80

400V					
Rated capacitance (μ F)	Case (mm)		Casing symbol	ESR (Ω max.)	Rated ripple current (Arms)
	ϕ D	L			
45	35	50	S57	1.47	1.50
55	35	40	S55	1.21	1.70
75	35	50	S57	0.88	1.98
82	35	50	S57	0.81	2.00

(Note) Rated ripple current : 85°C , 120Hz ; ESR. : 20°C , 120Hz

Screw Terminal, Long Life, High Temperature Capacitors

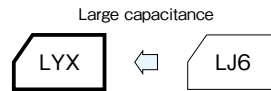
GREEN CAP

105°C
5000hours



Marking color : Silver print on a black sleeve

- Screw Terminal, Long Life, High Temperature capacitors.
- Guarantees 5000 hours at 105°C.

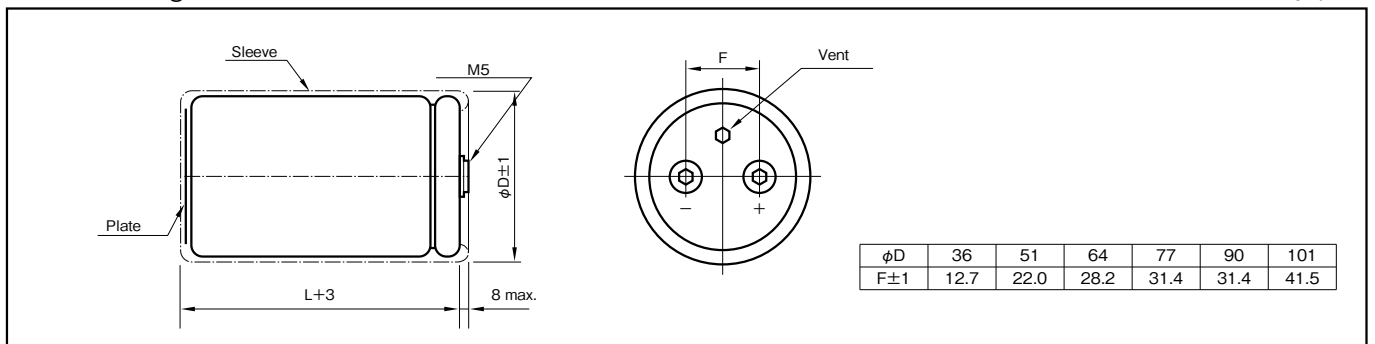


Specifications

Item	Performance	
Category temperature range (°C)	-40 to +105	
Tolerance at rated capacitance (%)	±20 (20°C, 120Hz)	
Leakage current (µA) (max.)	0.01CV or 5mA whichever is larger (after 5 minutes) C : Rated capacitance (µF) ; V : Rated voltage (V) (20°C)	
Tangent of loss angle (tanδ)	0.20 (20°C, 120Hz)	
Endurance (105°C) (Applied ripple current)	Test time	5000 hours
	Leakage current	The initial specified value or less
	Percentage of capacitance change	Within ±20% of initial value
	Tangent of the loss angle	200% or less of the initial specified value
Shelf life (105°C)	Test time	1000 hours
	Leakage current	The initial specified value or less
	Percentage of capacitance change	Within ±20% of initial value
	Tangent of the loss angle	200% or less of the initial specified value
Voltage application treatment : According to JIS C5101-4 4.1		
Applicable standards	JIS C5101 - 1, - 4 (IEC 60384 - 1, - 4)	

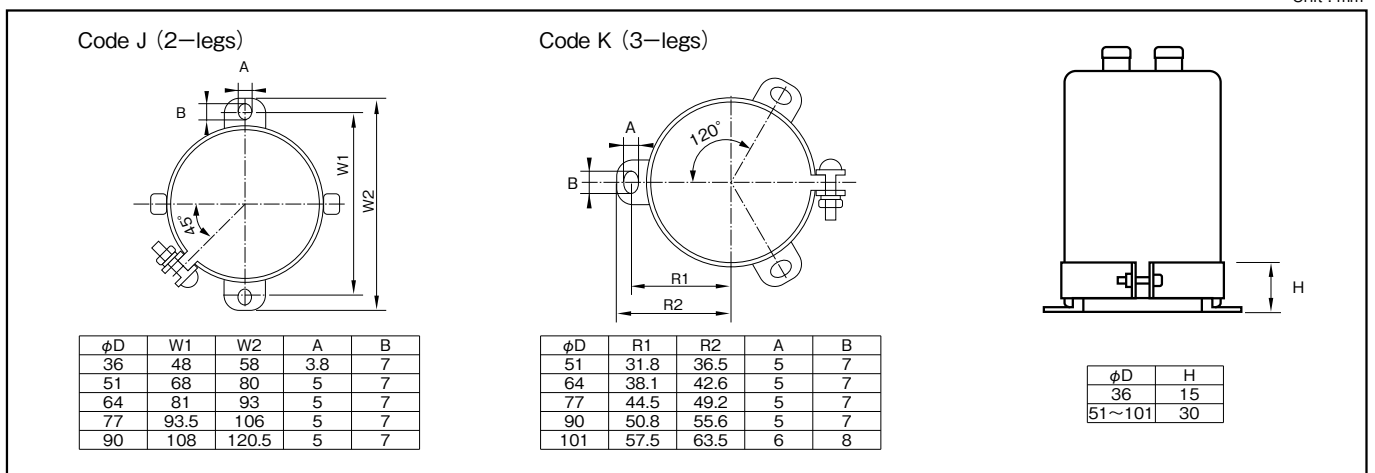
Outline Drawing

Unit : mm



Mounting Clamp

Unit : mm



Part numbering system (example : 400V3300µF)

LYX	—	400	V	332	M	DD0	B	□
Series code		Rated voltage symbol		Rated capacitance symbol	Capacitance tolerance symbol	Casing symbol	Optional symbol	Clamp code

Coefficient of Frequency for Rated Ripple Current

Frequency (Hz)	50	120	300	1k	10k
Rated voltage (V)					
350 to 450	0.80	1	1.10	1.30	1.40

NOTE : Design, Specifications are subject to change without notice.
It is recommended that you shall obtain technical specifications from ELNA to ensure that the component is suitable for your use.

Standard Ratings

Rated capacitance (μF)	350V					Rated ripple current (mA _{rms})	400V					Rated ripple current (mA _{rms})
	Case (mm)		Casing symbol	ESR (mΩ max.)	Rated capacitance (μF)		Case (mm)		Casing symbol	ESR (mΩ max.)		
	φD	L					φD	L				
1000	51	75	C75	259	3.9	1000	51	75	C75	215	3.9	
1200	51	75	C75	215	4.2	1200	51	96	C96	179	4.6	
1500	51	96	C96	172	5.2	1500	51	115	CB5	143	5.6	
1800	51	96	C96	143	5.7	1800	51	130	CD0	119	6.4	
2200	51	130	CD0	117	7.1	2200	64	96	D96	98	6.9	
2700	64	96	D96	96	7.7	2700	64	115	DB5	80	8.2	
3300	64	115	DB5	78	9.1	3300	64	130	DD0	65	9.5	
3900	64	130	DD0	66	10.4	3900	64	155	DF5	55	11.1	
	64	155	DF5	55	12.2		77	115	EB5	55	10.4	
4700	77	115	EB5	55	11.5	4700	64	195	DJ5	46	13.4	
	64	195	DJ5	46	14.6		77	130	ED0	46	12.0	
5600	77	130	ED0	46	13.1	5600	64	195	DJ5	39	14.6	
	64	155	EF5	38	15.5		77	155	EF5	39	14.0	
6800	77	155	EF5	38	15.5	6800	90	157	FF7	32	16.5	
8200	90	157	FF7	31	18.1	8200	90	157	FF7	26	18.1	
10000	90	157	FF7	26	19.9	10000	90	196	FJ6	22	21.7	
12000	90	196	FJ6	22	23.8	12000	90	236	FN6	18	25.8	
15000	90	236	FN6	17	28.8							

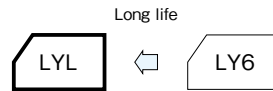
Rated capacitance (μF)	450V					Rated ripple current (mA _{rms})
	Case (mm)		Casing symbol	ESR (mΩ max.)	Rated capacitance (μF)	
	φD	L				
1000	51	96	C96	215	4.2	
1200	51	115	CB5	179	5.0	
1500	51	130	CD0	143	5.9	
1800	64	96	D96	119	6.3	
2200	64	115	DB5	98	7.4	
2700	64	130	DD0	80	8.6	
	77	115	EB5	80	8.7	
3300	64	155	DF5	65	10.2	
	77	130	ED0	65	10.1	
3900	64	195	DJ5	55	12.3	
4700	77	155	EF5	46	12.9	
5600	77	195	EJ5	38	15.4	
	90	157	FF7	38	14.9	
6800	90	196	FJ6	32	18.0	
8200	90	196	FJ6	27	19.8	
10000	90	236	FN6	22	23.6	

(Note) Rated ripple current : 105°C , 120Hz ; ESR. : 20°C , 120Hz

Screw Terminal, Long Life Capacitors

GREEN CAP 85°C 20000hours

- Screw Terminal, Long Life capacitors.
- Guarantees 20000 hours at 85°C.



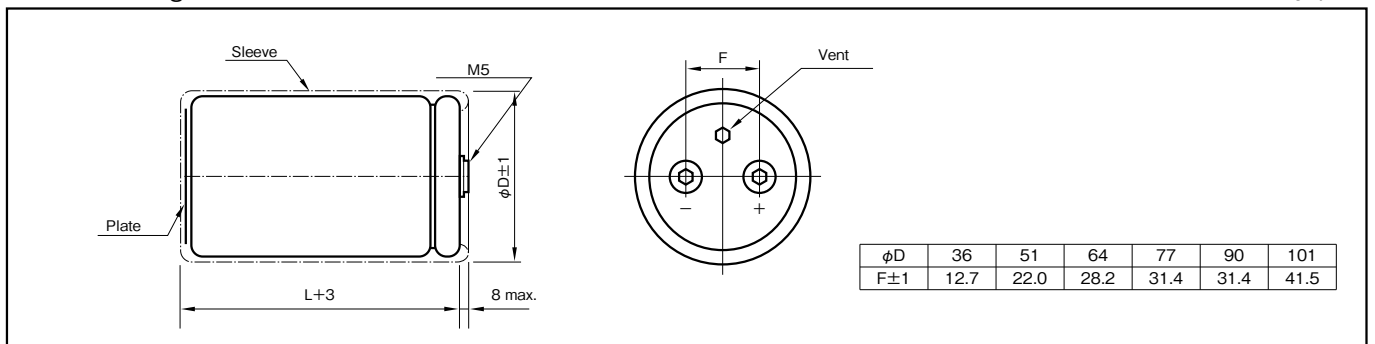
Marking color : Silver print on a black sleeve

Specifications

Item	Performance	
Category temperature range (°C)	-40 to +85	
Tolerance at rated capacitance (%)	±20 (20°C, 120Hz)	
Leakage current (µA) (max.)	0.01CV or 5mA whichever is larger (after 5 minutes) C : Rated capacitance (µF) ; V : Rated voltage (V) (20°C)	
Tangent of loss angle (tanδ)	0.20 (20°C, 120Hz)	
Endurance (85°C) (Applied ripple current)	Test time	20000 hours
	Leakage current	The initial specified value or less
	Percentage of capacitance change	Within ±20% of initial value
	Tangent of the loss angle	200% or less of the initial specified value
Shelf life (85°C)	Test time	1000 hours
	Leakage current	The initial specified value or less
	Percentage of capacitance change	Within ±20% of initial value
	Tangent of the loss angle	200% or less of the initial specified value
Voltage application treatment : According to JIS C5101-4 4.1		
Applicable standards	JIS C5101 - 1, - 4 (IEC 60384 - 1, - 4)	

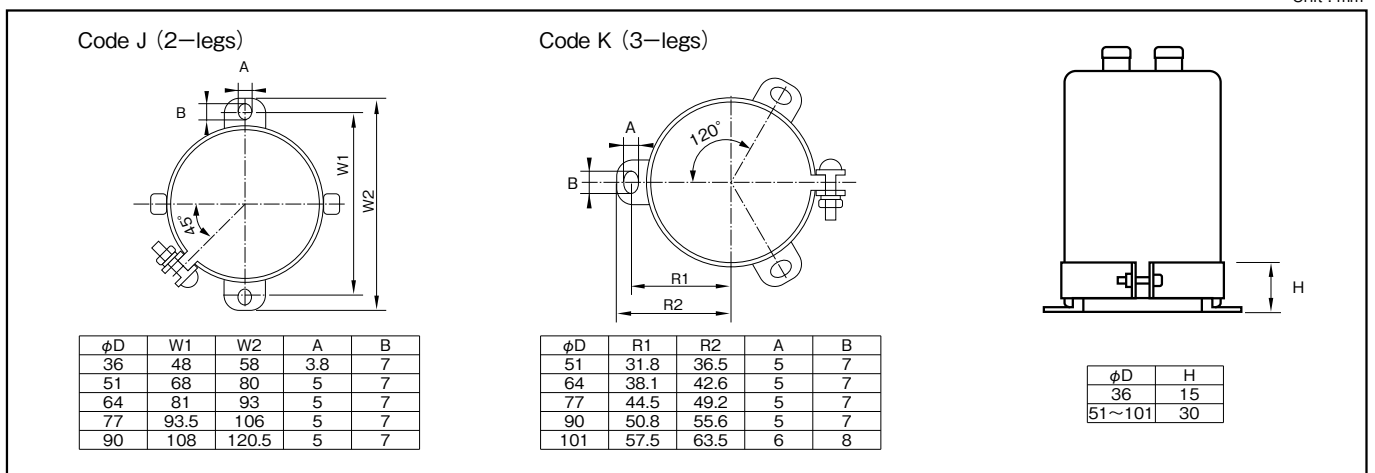
Outline Drawing

Unit : mm



Mounting Clamp

Unit : mm



Part numbering system (example : 450V4700µF)

LYL	—	450	V	472	M	EF5	B	□
Series code		Rated voltage symbol		Rated capacitance symbol	Capacitance tolerance symbol	Casing symbol	Optional symbol	Clamp code

Coefficient of Frequency for Rated Ripple Current

Frequency (Hz)	50	120	300	1k	10k
Rated voltage (V)	0.80	1	1.10	1.30	1.40
350 to 450					

NOTE : Design, Specifications are subject to change without notice.
It is recommended that you shall obtain technical specifications from ELNA to ensure that the component is suitable for your use.

Standard Ratings

350V						400V					
Rated capacitance (μF)	Case (mm)		Casing symbol	ESR (mΩ max.)	Rated ripple current (mA rms)	Rated capacitance (μF)	Case (mm)		Casing symbol	ESR (mΩ max.)	Rated ripple current (mA rms)
	φD	L					φD	L			
1000	51	75	C75	259	3.9	1000	51	75	C75	215	3.9
1200	51	75	C75	215	4.2	1200	51	96	C96	179	4.6
1500	51	96	C96	172	5.2	1500	51	115	CB5	143	5.6
1800	51	96	C96	143	5.7	1800	51	130	CD0	119	6.4
2200	51	130	CD0	117	7.1	2200	64	96	D96	98	6.9
2700	64	96	D96	96	7.7	2700	64	115	DB5	80	8.2
3300	64	115	DB5	78	9.1	3300	64	130	DD0	65	9.5
3900	64	130	DD0	66	10.4	3900	64	155	DF5	55	11.1
4700	64	155	DF5	55	12.2		77	115	EB5	55	10.4
	77	115	EB5	55	11.5	4700	64	195	DJ5	46	13.4
5600	64	195	DJ5	46	14.6		77	130	ED0	46	12.0
	77	130	ED0	46	13.1	5600	64	195	DJ5	39	14.6
6800	77	155	EF5	38	15.5		77	155	EF5	39	14.0
8200	90	157	FF7	31	18.1	6800	90	157	FF7	32	16.5
10000	90	157	FF7	26	19.9	8200	90	157	FF7	26	18.1
12000	90	196	FJ6	22	23.8	10000	90	196	FJ6	22	21.7
15000	90	236	FN6	17	28.8	12000	90	236	FN6	18	25.8

450V					
Rated capacitance (μF)	Case (mm)		Casing symbol	ESR (mΩ max.)	Rated ripple current (mA rms)
	φD	L			
1000	51	96	C96	215	4.2
1200	51	115	CB5	179	5.0
1500	51	130	CD0	143	5.9
1800	64	96	D96	119	6.3
2200	64	115	DB5	98	7.4
2700	64	130	DD0	80	8.6
	77	115	EB5	80	8.7
3300	64	155	DF5	65	10.2
	77	130	ED0	65	10.1
3900	64	195	DJ5	55	12.3
4700	77	155	EF5	46	12.9
5600	77	195	EJ5	38	15.4
	90	157	FF7	38	14.9
6800	90	196	FJ6	32	18.0
8200	90	196	FJ6	27	19.8
10000	90	236	FN6	22	23.6

(Note) Rated ripple current : 85°C , 120Hz ; ESR. : 20°C , 120Hz

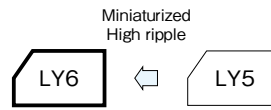
Screw Terminal, Miniaturized, High Ripple Capacitors

GREEN CAP 85°C 5000hours

- Screw Terminal, Miniaturized, High Ripple capacitors.
- Guarantees 5000 hours at 85°C.



Marking color : Silver print on a black sleeve

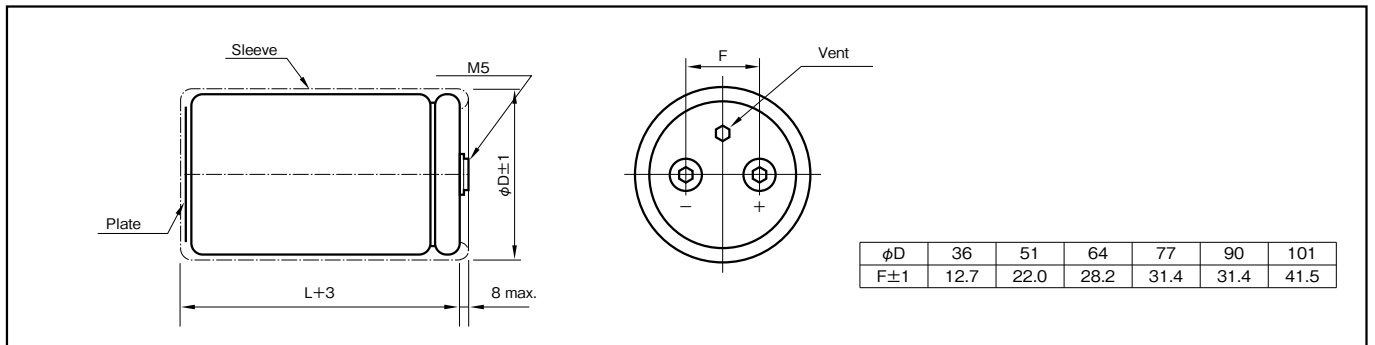


Specifications

Item	Performance			
Category temperature range (°C)	-25 to +85			
Tolerance at rated capacitance (%)	±20 (20°C, 120Hz)			
Leakage current (µA) (max.)	0.01CV or 5mA whichever is larger (after 5 minutes) C : Rated capacitance (µF) ; V : Rated voltage (V) (20°C)			
Tangent of loss angle (tanδ)	Rated voltage (V)	400, 450	500, 550	600
	tanδ (max.)	0.15	0.20	0.25
Endurance (85°C) (Applied ripple current)	Test time	5000 hours		
	Leakage current	The initial specified value or less		
	Percentage of capacitance change	Within ±20% of initial value		
	Tangent of the loss angle	200% or less of the initial specified value		
Shelf life (85°C)	Test time	1000 hours		
	Leakage current	The initial specified value or less		
	Percentage of capacitance change	Within ±20% of initial value		
	Tangent of the loss angle	200% or less of the initial specified value		
Voltage application treatment : According to JIS C5101-4 4.1				
Applicable standards	JIS C5101 - 1, - 4 (IEC 60384 - 1, - 4)			

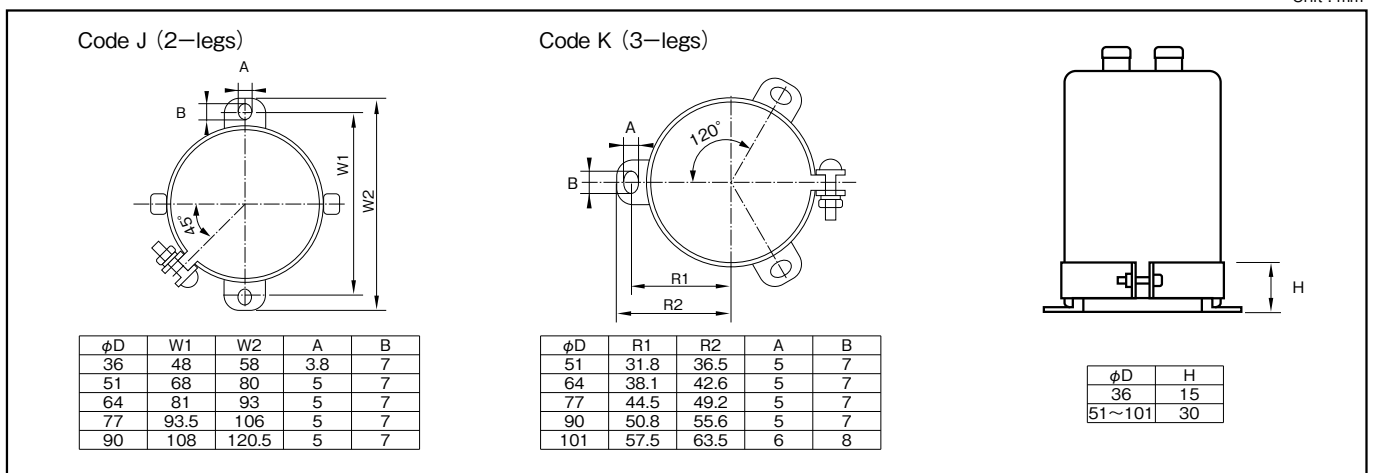
Outline Drawing

Unit : mm



Mounting Clamp

Unit : mm



Part numbering system (example : 400V12000µF)

LY6	—	400 V	123	M	FF7	B	□
Series code		Rated voltage symbol	Rated capacitance symbol	Capacitance tolerance symbol	Casing symbol	Optional symbol	Clamp code

Coefficient of Frequency for Rated Ripple Current

Frequency (Hz)	50	120	300	1k	10k
Rated voltage (V)					
400 to 600	0.80	1	1.10	1.30	1.40

NOTE : Design, Specifications are subject to change without notice.
It is recommended that you shall obtain technical specifications from ELNA to ensure that the component is suitable for your use.

Standard Ratings

400V						450V					
Rated capacitance (μF)	Case (mm)		Casing symbol	ESR (mΩ max.)	Rated ripple current (mA _{rms})	Rated capacitance (μF)	Case (mm)		Casing symbol	ESR (mΩ max.)	Rated ripple current (mA _{rms})
	φD	L					φD	L			
2200	51	115	CB5	98	8.8	1800	51	115	CB5	119	7.6
2700	51	130	CD0	80	10.2	2200	51	130	CD0	98	8.8
3300	64	96	D96	65	11.0	2700	64	96	D96	80	9.5
3900	64	115	DB5	55	12.8	3300	64	115	DB5	65	11.2
4700	64	130	DD0	46	14.8	3900	64	130	DD0	55	12.8
5600	77	115	EB5	38	16.2	4700	77	115	EB5	46	14.1
6800	77	130	ED0	32	18.7	5600	77	130	ED0	38	16.2
8200	77	155	EF5	26	22.0	6800	77	155	EF5	32	19.1
10000	77	195	EJ5	22	26.7	8200	77	195	EJ5	26	23.0
	90	131	FD1	22	24.2		90	131	FD1	26	21.0
12000	90	157	FF7	18	28.5	10000	90	171	FH1	22	25.7
15000	90	196	FJ6	14	34.8	12000	90	196	FJ6	18	29.7
18000	90	236	FN6	12	41.2		101	175	GH5	18	29.3
22000	101	237	GN7	10	47.0	15000	90	236	FN6	14	35.9
—	—	—	—	—	—		101	195	GJ5	14	24.2
—	—	—	—	—	—	18000	101	237	GN7	12	40.5

500V						550V					
Rated capacitance (μF)	Case (mm)		Casing symbol	ESR (mΩ max.)	Rated ripple current (mA _{rms})	Rated capacitance (μF)	Case (mm)		Casing symbol	ESR (mΩ max.)	Rated ripple current (mA _{rms})
	φD	L					φD	L			
1200	51	115	CB5	215	6.2	1000	51	130	CD0	258	5.9
	64	96	D96	215	6.3	1200	64	115	DB5	215	6.8
1500	51	130	CD0	172	7.3	1500	64	130	DD0	172	8.0
	64	96	D96	172	7.1	1800	77	115	EB5	143	8.7
1800	64	115	DB5	143	8.3	2200	77	130	ED0	117	10.1
2200	64	130	DD0	117	9.6	2700	77	155	EF5	96	12.0
2700	77	115	EB5	96	10.7	3300	77	155	EF5	78	13.3
3300	77	130	ED0	78	12.4	3900	90	157	FF7	66	15.5
3900	77	155	EF5	66	14.4	4700	90	171	FH1	55	17.6
4700	77	171	EH1	55	16.5	5600	90	196	FJ6	46	20.3
	90	131	FD1	55	15.8	6800	90	236	FN6	38	24.1
5600	77	195	EJ5	46	19.0	8200	101	237	GN7	31	27.3
	90	157	FF7	46	18.6						
6800	90	171	FH1	38	21.2						
8200	90	196	FJ6	31	24.5						
	101	175	GH5	31	24.2						
10000	90	236	FN6	26	29.3						
	101	195	GJ5	26	27.9						
12000	101	237	GN7	22	33.1						

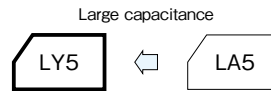
600V					
Rated capacitance (μF)	Case (mm)		Casing symbol	ESR (mΩ max.)	Rated ripple current (mA _{rms})
	φD	L			
1000	64	130	DD0	323	5.4
1200	77	115	EB5	269	6.1
1500	77	130	ED0	214	7.3
1800	77	155	EF5	179	8.9
2200	90	131	FD1	146	9.7
2700	90	157	FF7	120	11.6
3300	90	171	FH1	98	13.4
3900	90	196	FJ6	83	16.2
4700	90	196	FJ6	69	19.5
5600	101	220	FM0	58	22.5

(Note) Rated ripple current : 85°C , 120Hz ; ESR. : 20°C , 120Hz

Screw Terminal, Standard Capacitors

GREEN CAP 85°C 2000hours

- Screw Terminal, Standard capacitors.
- Guarantees 2000 hours at 85°C.



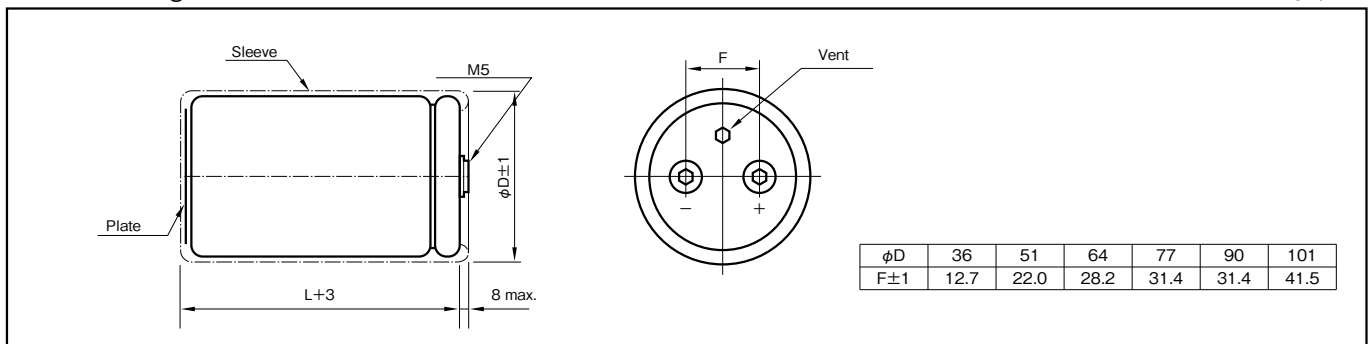
Marking color : Silver print on a black sleeve

Specifications

Item	Performance	
Category temperature range (°C)	-40 to +85	-25 to +85
Rated voltage (V)	10 to 250	350 to 630
Tolerance at rated capacitance (%)	±20 (20°C, 120Hz)	
Leakage current (µA) (max.)	0.01CV or 5mA whichever is larger (after 5 minutes) C : Rated capacitance (µF) ; V : Rated voltage (V) (20°C)	
Tangent of loss angle (tanδ)	Refer to the following pages (20°C, 120Hz)	
Endurance (85°C) (Applied ripple current)	Test time	2000 hours
	Leakage current	The initial specified value or less
	Percentage of capacitance change	Within ±20% of initial value
	Tangent of the loss angle	200% or less of the initial specified value
Shelf life (85°C)	Test time	1000 hours
	Leakage current	The initial specified value or less
	Percentage of capacitance change	Within ±20% of initial value
	Tangent of the loss angle	200% or less of the initial specified value
Voltage application treatment : According to JIS C5101-4 4.1		
Applicable standards	JIS C5101 - 1, - 4 (IEC 60384 - 1, - 4)	

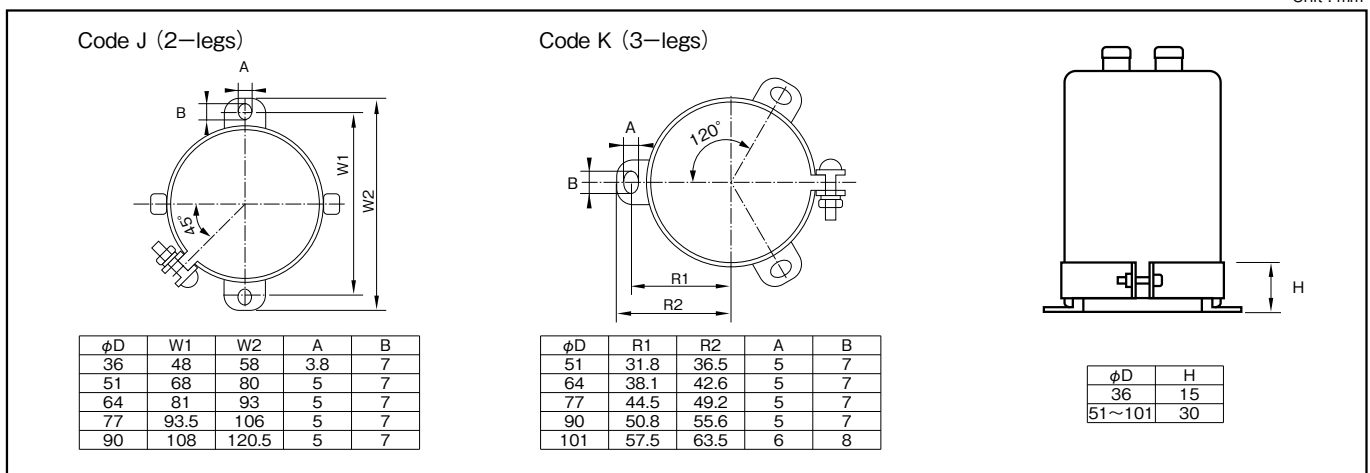
Outline Drawing

Unit : mm



Mounting Clamp

Unit : mm



Part numbering system (example : 50V47000µF)

LY5	—	50	V	473	M	CB5	B	□
Series code		Rated voltage symbol		Rated capacitance symbol	Capacitance tolerance symbol	Casing symbol	Optional symbol	Clamp code

Coefficient of Frequency for Rated Ripple Current

Rated voltage (V)	Frequency (Hz)				
	50	120	300	1k	10k
10 to 50	0.95	1	1.04	1.10	1.15
63 to 160	0.95	1	1.06	1.16	1.30
200 to 500	0.80	1	1.10	1.25	1.50
600 to 630	0.80	1	1.10	1.30	1.40

NOTE : Design, Specifications are subject to change without notice.
It is recommended that you shall obtain technical specifications from ELNA to ensure that the component is suitable for your use.

Standard Ratings

10V						16V						25V					
Rated capacitance (μF)	tan δ	Case (mm)		Casing symbol	Rated ripple current (mA _{RMS})	Rated capacitance (μF)	tan δ	Case (mm)		Casing symbol	Rated ripple current (mA _{RMS})	Rated capacitance (μF)	tan δ	Case (mm)		Casing symbol	Rated ripple current (mA _{RMS})
		φD	L					φD	L					φD	L		
33,000	0.80	36	53	A53	4.3	22,000	0.60	36	53	A53	4.1	15,000	0.50	36	53	A53	3.7
39,000	0.80	36	53	A53	4.7	27,000	0.60	36	53	A53	4.5	18,000	0.50	36	53	A53	4.1
47,000	0.80	36	65	A65	5.2	33,000	0.60	36	53	A53	5.0	22,000	0.50	36	53	A53	4.5
56,000	0.80	36	83	A83	6.1	39,000	0.60	36	65	A65	5.9	27,000	0.50	36	65	A65	5.0
68,000	0.80	36	83	A83	6.7	47,000	0.60	36	83	A83	6.4	33,000	0.50	36	83	A83	5.9
82,000	0.80	36	100	AA0	7.7	56,000	0.60	36	83	A83	7.3	39,000	0.50	36	83	A83	6.7
100,000	0.80	36	101	AA1	8.8	68,000	0.60	36	100	AA0	8.4	47,000	0.50	36	100	AA0	7.7
120,000	0.80	36	121	AC1	10.0	82,000	0.80	36	100	AA0	8.3	56,000	0.60	36	100	AA0	7.9
150,000	1.00	36	121	AC1	10.8	100,000	0.80	36	121	AC1	9.5	68,000	0.60	36	121	AC1	9.2
180,000	1.00	51	96	C96	12.0	120,000	0.80	36	121	AC1	10.9	82,000	0.60	36	121	AC1	10.4
220,000	1.50	51	121	CC1	11.2	150,000	1.00	51	96	C96	11.3	100,000	0.60	51	96	C96	10.3
270,000	1.50	51	122	CC2	12.8	180,000	1.00	51	115	CB5	12.8	120,000	0.80	51	115	CB5	11.7
330,000	1.50	64	96	D96	15.3	220,000	1.00	51	130	CD0	15.3	150,000	0.80	51	130	CD0	14.1
390,000	1.50	64	115	DB5	17.3	270,000	1.00	64	96	D96	17.6	180,000	0.80	64	96	D96	15.7
470,000	2.00	64	130	DD0	16.7	330,000	1.50	64	115	DB5	16.8	220,000	1.00	64	115	DB5	16.1
560,000	2.00	77	115	EB5	19.0	390,000	1.50	64	130	DD0	18.3	270,000	1.00	64	130	DD0	18.6
680,000	2.00	77	130	ED0	21.7	470,000	1.50	77	115	EB5	21.3	330,000	1.00	64	155	DF5	21.9
820,000	2.00	77	155	EF5	24.7	560,000	1.50	77	130	ED0	23.6	390,000	1.20	77	115	EB5	22.0
—	—	—	—	—	—	680,000	1.50	77	155	EF5	27.6	470,000	1.20	77	155	EF5	25.6
—	—	—	—	—	—	820,000	2.00	90	157	FF7	27.1	560,000	1.20	90	131	FD1	27.9
—	—	—	—	—	—	—	—	—	—	—	—	680,000	1.20	90	157	FF7	32.5

35V						50V						63V					
Rated capacitance (μF)	tan δ	Case (mm)		Casing symbol	Rated ripple current (mA _{RMS})	Rated capacitance (μF)	tan δ	Case (mm)		Casing symbol	Rated ripple current (mA _{RMS})	Rated capacitance (μF)	tan δ	Case (mm)		Casing symbol	Rated ripple current (mA _{RMS})
		φD	L					φD	L					φD	L		
10,000	0.40	36	53	A53	3.4	5,600	0.30	36	53	A53	3.0	3,900	0.25	36	53	A53	2.7
12,000	0.40	36	53	A53	3.7	6,800	0.30	36	53	A53	3.3	4,700	0.25	36	53	A53	3.0
15,000	0.40	36	65	A65	4.2	8,200	0.30	36	53	A53	3.6	5,600	0.25	36	53	A53	3.3
18,000	0.40	36	83	A83	4.7	10,000	0.30	36	65	A65	4.0	6,800	0.25	36	65	A65	3.6
22,000	0.40	36	83	A83	5.7	12,000	0.30	36	83	A83	4.7	8,200	0.25	36	83	A83	4.3
27,000	0.40	36	100	AA0	6.3	15,000	0.30	36	83	A83	5.5	10,000	0.25	36	83	A83	4.9
33,000	0.40	36	100	AA0	7.2	18,000	0.30	36	100	AA0	6.2	12,000	0.25	36	100	AA0	5.6
39,000	0.50	36	121	AC1	8.3	22,000	0.40	36	121	AC1	6.3	15,000	0.30	36	100	AA0	5.9
47,000	0.50	51	96	C96	8.7	27,000	0.40	36	121	AC1	7.1	18,000	0.30	36	121	AC1	6.7
56,000	0.60	51	96	C96	8.6	33,000	0.40	51	96	C96	8.2	22,000	0.30	36	121	AC1	7.8
68,000	0.60	51	115	CB5	9.8	39,000	0.50	51	96	C96	8.1	27,000	0.40	51	96	C96	7.4
82,000	0.60	64	96	D96	11.6	47,000	0.50	51	115	CB5	9.3	33,000	0.40	51	96	C96	8.4
100,000	0.60	64	115	DB5	13.3	56,000	0.50	64	96	D96	10.5	39,000	0.40	51	115	CB5	9.5
120,000	0.80	64	121	DC1	14.8	68,000	0.50	64	96	D96	12.0	47,000	0.40	51	130	CD0	11.3
150,000	0.80	64	130	DD0	14.9	82,000	0.50	64	115	DB5	13.7	56,000	0.40	64	115	DB5	12.8
180,000	0.80	77	115	EB5	17.0	100,000	0.60	77	115	EB5	14.7	68,000	0.50	64	121	DC1	12.7
220,000	0.80	77	130	ED0	20.0	120,000	0.60	77	115	EB5	16.7	82,000	0.50	64	130	DD0	14.5
270,000	1.00	77	155	EF5	20.3	150,000	0.60	77	130	ED0	19.3	100,000	0.50	77	115	EB5	16.7
330,000	1.00	90	131	FD1	23.5	180,000	0.60	77	155	EF5	21.9	120,000	0.50	77	130	ED0	18.9
390,000	1.00	90	157	FF7	26.4	220,000	0.60	90	131	FD1	21.4	150,000	0.50	77	155	EF5	22.4
470,000	1.00	90	157	FF7	29.6	270,000	0.60	90	157	FF7	24.6	180,000	0.60	90	131	FD1	22.4
—	—	—	—	—	—	—	—	—	—	—	—	220,000	0.60	90	157	FF7	26.2

80V						100V					
Rated capacitance (μF)	tan δ	Case (mm)		Casing symbol	Rated ripple current (mA _{RMS})	Rated capacitance (μF)	tan δ	Case (mm)		Casing symbol	Rated ripple current (mA _{RMS})
		φD	L					φD	L		
3,300	0.25	36	53	A53	2.5	1,800	0.25	36	53	A53	1.9
3,900	0.25	36	53	A53	2.8	2,200	0.25	36	53	A53	2.1
4,700	0.25	36	65	A65	3.0	2,700	0.25	36	53	A53	2.3
5,600	0.25	36	83	A83	3.6	3,300	0.25	36	65	A65	2.6
6,800	0.25	36	83	A83	3.9	3,900	0.25	36	83	A83	3.0
8,200	0.25	36	83	A83	4.5	4,700	0.25	36	83	A83	3.5
10,000	0.25	36	100	AA0	5.2	5,600	0.25	36	100	AA0	3.9
12,000	0.25	36	100	AA0	5.9	6,800	0.25	36	100	AA0	4.5
15,000	0.25	36	121	AC1	6.8	8,200	0.25	36	121	AC1	5.1
18,000	0.25	36	121	AC1	7.8	10,000	0.25	36	121	AC1	5.9
22,000	0.30	51	96	C96	8.0	12,000	0.25	51	75	C75	6.4
27,000	0.30	51	96	C96	9.2	15,000	0.25	51	96	C96	7.0
33,000	0.30	51	115	CB5	10.5	18,000	0.25	51	115	CB5	8.3
39,000	0.30	51	130	CD0	12.0	22,000	0.25	51	130	CD0	10.0
47,000	0.30	64	115	DB5	13.6	27,000	0.25	64	115	DB5	11.5
56,000	0.40	64	130	DD0	13.4	33,000	0.25	64	130	DD0	11.9
68,000	0.40	77	115	EB5	15.4	39,000	0.25	77	115	EB5	13.4
82,000	0.40	77	130	ED0	17.5	47,000	0.35	77	130	ED0	14.2
100,000	0.40	77	155	EF5	20.5	56,000	0.35	77	155	EF5	16.0
120,000	0.40	90	131	FD1	22.4	68,000	0.35	90	131	FD1	18.8
150,000	0.40	90	157	FF7	26.5	82,000	0.35	90	157	FF7	20.5
—	—	—	—	—	—	100,000	0.35	90	171	FH1	24.0

(Note) Rated ripple current : 85°C, 120Hz

NOTE : Design, Specifications are subject to change without notice.
It is recommended that you shall obtain technical specifications from ELNA to ensure that the component is suitable for your use.

Standard Ratings

160V					200V					250V							
Rated capacitance (μF)	tan δ	Case (mm)		Casing symbol	Rated ripple current (mA _{rms})	Rated capacitance (μF)	tan δ	Case (mm)		Casing symbol	Rated ripple current (mA _{rms})	Rated capacitance (μF)	tan δ	Case (mm)		Casing symbol	Rated ripple current (mA _{rms})
		φD	L					φD	L					φD	L		
3,300	0.25	36	121	AC1	5.2	2,200	0.25	36	100	AA0	3.9	1,500	0.25	36	100	AA0	3.2
4,700	0.25	51	75	C75	5.9	3,300	0.25	51	75	C75	4.9	2,200	0.25	51	75	C75	4.0
5,600	0.25	51	96	C96	7.0	4,700	0.25	51	96	C96	6.4	3,300	0.25	51	96	C96	5.4
6,800	0.25	51	96	C96	7.8	5,600	0.25	51	115	CB5	7.6	4,700	0.25	64	96	D96	7.1
10,000	0.25	64	96	D96	10.4	6,800	0.25	51	130	CD0	8.8	6,800	0.25	64	115	DB5	9.1
12,000	0.25	51	120	CC0	11.3	8,200	0.25	64	96	D96	9.4	8,200	0.25	64	115	DB5	10.0
15,000	0.25	64	130	DD0	14.3	10,000	0.25	64	96	D96	10.4	10,000	0.25	64	130	DD0	11.7
18,000	0.25	64	130	DD0	15.6	15,000	0.25	77	96	E96	14.4	15,000	0.25	77	130	ED0	15.1
22,000	0.25	77	130	ED0	18.3	18,000	0.25	77	130	ED0	16.5	18,000	0.25	77	155	EF5	17.7
33,000	0.25	90	131	FD1	23.8	22,000	0.25	77	150	EF0	19.6	22,000	0.25	90	157	FF7	20.9
39,000	0.25	90	157	FF7	27.9	33,000	0.25	90	157	FF7	25.3	—	—	—	—	—	—

350V					400V					450V							
Rated capacitance (μF)	tan δ	Case (mm)		Casing symbol	Rated ripple current (mA _{rms})	Rated capacitance (μF)	tan δ	Case (mm)		Casing symbol	Rated ripple current (mA _{rms})	Rated capacitance (μF)	tan δ	Case (mm)		Casing symbol	Rated ripple current (mA _{rms})
		φD	L					φD	L					φD	L		
470	0.20	36	83	A83	2.2	470	0.20	36	83	A83	2.2	470	0.20	36	83	A83	2.2
680	0.20	36	83	A83	2.6	680	0.20	36	100	AA0	2.8	680	0.20	36	100	AA0	2.8
1,000	0.20	36	100	AA0	3.4	1,000	0.20	51	75	C75	3.5	820	0.20	51	75	C75	3.2
1,500	0.20	51	75	C75	4.3	1,200	0.20	51	75	C75	3.8	1,000	0.20	51	75	C75	3.5
1,800	0.20	51	96	C96	5.1	1,500	0.20	51	96	C96	4.7	1,200	0.20	51	96	C96	4.2
2,200	0.20	51	96	C96	5.7	1,800	0.20	51	96	C96	5.2	1,500	0.20	51	115	CB5	5.0
2,700	0.20	51	130	CD0	7.1	2,200	0.20	51	120	CC0	6.4	1,800	0.20	51	130	CD0	5.9
3,300	0.20	51	130	CD0	7.9	2,700	0.20	64	96	D96	7.0	2,200	0.20	64	96	D96	6.3
3,900	0.20	64	115	DB5	9.0	3,300	0.20	64	115	DB5	8.2	2,700	0.20	64	115	DB5	7.5
4,700	0.20	64	130	DD0	10.3	3,900	0.20	64	130	DD0	9.4	3,300	0.20	64	130	DD0	8.7
5,600	0.20	77	115	EB5	11.4	4,700	0.20	77	115	EB5	10.4	3,900	0.20	77	115	EB5	9.5
6,800	0.20	77	130	ED0	13.1	5,600	0.20	77	130	ED0	11.9	4,700	0.20	77	130	ED0	10.9
8,200	0.20	77	155	EF5	15.4	6,800	0.20	77	155	EF5	14.1	5,600	0.20	77	155	EF5	12.8
10,000	0.20	90	157	FF7	18.1	8,200	0.20	90	157	FF7	16.4	6,800	0.20	90	157	FF7	15.0
12,000	0.20	90	157	FF7	20.0	10,000	0.20	90	157	FF7	18.3	8,200	0.20	90	157	FF7	16.5
15,000	0.20	90	196	FJ6	24.5	12,000	0.20	90	196	FJ6	21.8	10,000	0.20	90	196	FJ6	20.0
18,000	0.20	90	236	FN6	28.8	15,000	0.20	90	236	FN6	26.3	12,000	0.20	90	236	FN6	23.6

500V					600V					630V							
Rated capacitance (μF)	tan δ	Case (mm)		Casing symbol	Rated ripple current (mA _{rms})	Rated capacitance (μF)	tan δ	Case (mm)		Casing symbol	Rated ripple current (mA _{rms})	Rated capacitance (μF)	tan δ	Case (mm)		Casing symbol	Rated ripple current (mA _{rms})
		φD	L					φD	L					φD	L		
1,000	0.25	51	115	CB5	4.6	1,200	0.25	64	96	D96	7.7	1,000	0.30	64	130	DD0	6.0
1,500	0.25	64	96	D96	5.7	1,500	0.25	64	115	DB5	9.3	1,200	0.30	77	115	EB5	6.7
2,200	0.25	64	130	DD0	6.9	1,800	0.25	77	96	E96	10.1	1,500	0.30	77	130	ED0	8.1
2,700	0.25	77	115	EB5	8.1	2,200	0.25	77	115	EB5	12.0	1,800	0.30	77	155	EF5	9.8
3,300	0.25	77	130	ED0	9.6	2,700	0.25	77	130	ED0	14.0	2,200	0.30	90	131	FD1	10.7
3,900	0.25	77	130	ED0	10.8	3,300	0.25	77	155	EF5	16.4	2,700	0.30	90	157	FF7	12.8
4,700	0.25	77	155	EF5	12.1	3,300	0.25	90	131	FD1	16.4	3,300	0.30	90	171	FH1	14.7
5,600	0.25	90	157	FF7	13.8	3,900	0.25	90	131	FD1	17.8	3,900	0.30	90	196	FJ6	17.9
6,800	0.25	90	171	FH1	15.8	4,700	0.25	90	157	FF7	21.0	4,700	0.30	90	196	FJ6	21.6
8,200	0.25	77	220	EM0	17.2	5,600	0.25	90	196	FJ6	24.5	5,600	0.30	101	220	FM0	24.9
10,000	0.25	90	236	FN6	22.1												

(Note) Rated ripple current : 85°C , 120Hz

Aluminum Electrolytic Capacitors for Audio

Chip Type Audio Use Capacitors

GREEN CAP SMD For Audio

- Audio grade surface mount product with completely new components using synthetic mica paper for the separator.
- Both quality sense and sound field that could not be realized by the surface mount products are reproducible.



Marking color : Black print (φ4 to φ10)

For higher grade

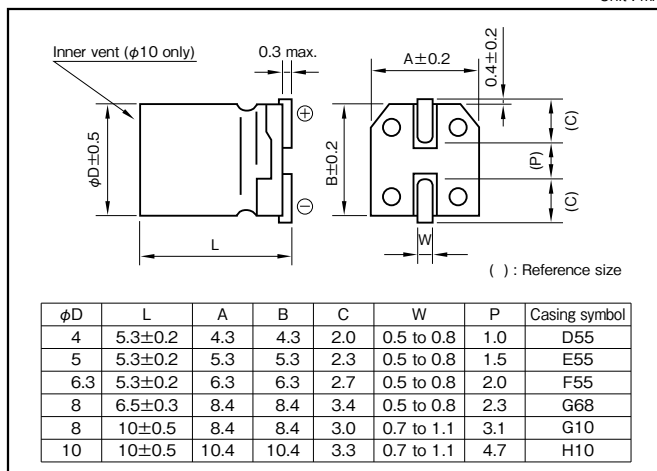


Specifications

Item	Performance								
Category temperature range (°C)	-40 to +85								
Tolerance at rated capacitance (%)	±20 (20°C, 120Hz)								
Leakage current (μA) (max.)	0.01CV or 3 whichever is larger (after 2 minutes) C : Rated capacitance (μF) ; V: Rated voltage (V) (20°C)								
Tangent of loss angle (tanδ)	Rated voltage (V)	6.3	10	16	25	35	50		
	tanδ (max.)	0.28	0.24	0.20	0.14	0.12	0.10		
Characteristics at high and low temperature	Impedance ratio (max.)	Rated voltage (V)		6.3	10	16	25	35	50
		Z-25°C/Z+20°C	3	3	2	2	2	2	
		Z-40°C/Z+20°C	8	5	4	3	3	3	
Endurance (85°C) (Applied ripple current)	Test time	2000 hours							
	Leakage current	The initial specified value or less							
	Percentage of capacitance change	Within ±20% of initial value							
	Tangent of the loss angle	200% or less of the initial specified value							
Shelf life (85°C)	Test time : 1000hours ; other items are same as the endurance. Voltage application treatment : According to JIS C5101-4 4.1								
Applicable standards	JIS C5101 - 1, - 18 (IEC 60384 - 1, - 18)								

Outline Drawing

Unit : mm



Refer to individual page.

(Soldering conditions, Land pattern size, The taping specifications)

Coefficient of Frequency for Rated Ripple Current

Rated voltage (V)	Frequency (Hz)			
	50	120	1k	10k·100k
6.3 to 16	0.80	1	1.15	1.25
25 to 35	0.80	1	1.25	1.40
50	0.80	1	1.35	1.50

Part numbering system

φ4 to φ6.3, φ8×6.5 (example : 16V47μF)

RVO	—	16	V	470	M	F55	P2U	—	□
Series code		Rated voltage symbol		Rated capacitance symbol	Capacitance tolerance symbol	Casing symbol			Taping symbol

φ8×10 (example : 16V330μF) *

RVO	—	16	V	331	M	G10	Y1U	—	□
Series code		Rated voltage symbol		Rated capacitance symbol	Capacitance tolerance symbol	Casing symbol			Taping symbol

φ10×10 (example : 16V470μF) *

RVO	—	16	V	471	M	H10	E U	—	□
Series code		Rated voltage symbol		Rated capacitance symbol	Capacitance tolerance symbol	Casing symbol			Taping symbol

*φ8×10L, φ10×10L product have sleeve type (white print on a brown sleeve), but old type product. Please inquire for sleeve type P/N. However, we don't accept new orders.

Standard Ratings

Rated capacitance (μF)	6.3		10		16		25		35		50	
	Case φD×L (mm)	Rated ripple current (mArms)	Case φD×L (mm)	Rated ripple current (mArms)	Case φD×L (mm)	Rated ripple current (mArms)	Case φD×L (mm)	Rated ripple current (mArms)	Case φD×L (mm)	Rated ripple current (mArms)	Case φD×L (mm)	Rated ripple current (mArms)
0.33	—	—	—	—	—	—	—	—	—	—	4×5.3	6
0.47	—	—	—	—	—	—	—	—	—	—	4×5.3	7
1	—	—	—	—	—	—	—	—	—	—	4×5.3	10
2.2	—	—	—	—	—	—	—	—	—	—	4×5.3	15
3.3	—	—	—	—	—	—	—	—	4×5.3	17	4×5.3	19
4.7	—	—	—	—	4×5.3	18	4×5.3	19	4×5.3	20	5×5.3	26
10	—	—	4×5.3	23	4×5.3	26	5×5.3	32	5×5.3	34	6.3×5.3	44
22	4×5.3	31	5×5.3	40	5×5.3	44	6.3×5.3	55	6.3×5.3	59	8×6.5	124
33	5×5.3	44	5×5.3	49	6.3×5.3	63	6.3×5.3	67	8×6.5	124	8×6.5	124
47	5×5.3	53	6.3×5.3	68	6.3×5.3	76	8×6.5	124	8×6.5	124	8×10	200
100	6.3×5.3	90	6.3×5.3	99	8×6.5	124	8×6.5	137	8×10	200	10×10	366
220	8×6.5	149	8×6.5	149	8×10	200	8×10	235	10×10	366	—	—
330	8×6.5	160	8×10	226	8×10	245	10×10	366	—	—	—	—
470	8×10	251	10×10	366	10×10	366	—	—	—	—	—	—
1000	10×10	423	—	—	—	—	—	—	—	—	—	—

(Note) Rated ripple current : 85°C, 120Hz.

NOTE : Design, Specifications are subject to change without notice. It is recommended that you shall obtain technical specifications from ELNA to ensure that the component is suitable for your use.

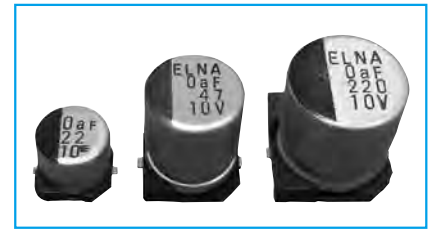
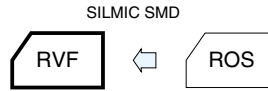
Chip Type, For Audio, High Grade (SILMIC) Capacitors

GREEN CAP

SMD

For Audio

- Silk fiber paper products used surface mount device.
- Completely new audio products for the high-grade paper using silk fiber paper.
- Silk "flexibility" to reduce the vibration energy of the music, in the sense of high-frequency peak, a significant decrease in roughness of the midrange and bass increase.



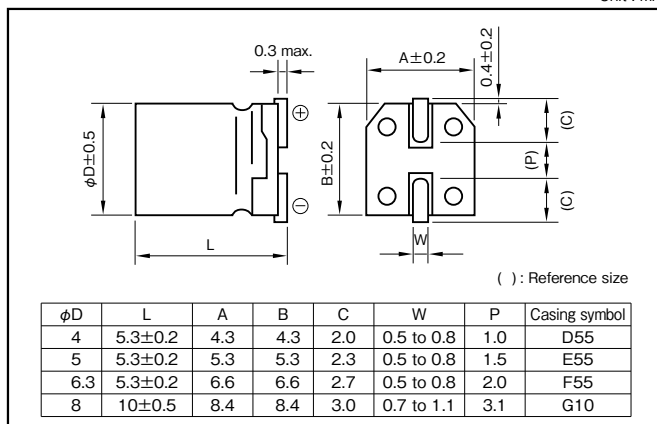
Marking color : Black print

Specifications

Item	Performance													
Category temperature range (°C)	-40 to +85													
Tolerance at rated capacitance (%)	±20 (20°C, 120Hz)													
Leakage current (µA) (max.)	0.01CV or 3 whichever is larger (after 2 minutes) C : Rated capacitance (µF), V : Rated voltage (V) (20°C)													
Tangent of loss angle (tanδ)	<table border="1"> <thead> <tr> <th>Rated voltage (V)</th> <th>10</th> <th>16</th> <th>50</th> </tr> </thead> <tbody> <tr> <td>tanδ (max.)</td> <td>0.32</td> <td>0.26</td> <td>0.12</td> </tr> </tbody> </table> <p>(20°C, 120Hz)</p>	Rated voltage (V)	10	16	50	tanδ (max.)	0.32	0.26	0.12					
Rated voltage (V)	10	16	50											
tanδ (max.)	0.32	0.26	0.12											
Characteristics at high and low temperature	<table border="1"> <thead> <tr> <th>Rated voltage (V)</th> <th>10</th> <th>16</th> <th>50</th> </tr> </thead> <tbody> <tr> <td rowspan="2">Impedance ratio (max.)</td> <td>Z-25°C/Z+20°C</td> <td>3</td> <td>2</td> <td>2</td> </tr> <tr> <td>Z-40°C/Z+20°C</td> <td>8</td> <td>4</td> <td>4</td> </tr> </tbody> </table> <p>(120Hz)</p>	Rated voltage (V)	10	16	50	Impedance ratio (max.)	Z-25°C/Z+20°C	3	2	2	Z-40°C/Z+20°C	8	4	4
Rated voltage (V)	10	16	50											
Impedance ratio (max.)	Z-25°C/Z+20°C	3	2	2										
	Z-40°C/Z+20°C	8	4	4										
Endurance (85°C)	<table border="1"> <tbody> <tr> <td>Test time</td> <td>2000 hours</td> </tr> <tr> <td>Leakage current</td> <td>The initial specified value or less</td> </tr> <tr> <td>Percentage of capacitance change</td> <td>Within ±20% of initial value</td> </tr> <tr> <td>Tangent of the loss angle</td> <td>200% or less of the initial specified value</td> </tr> </tbody> </table>	Test time	2000 hours	Leakage current	The initial specified value or less	Percentage of capacitance change	Within ±20% of initial value	Tangent of the loss angle	200% or less of the initial specified value					
Test time	2000 hours													
Leakage current	The initial specified value or less													
Percentage of capacitance change	Within ±20% of initial value													
Tangent of the loss angle	200% or less of the initial specified value													
Shelf life (85°C)	Test time : 500hours ; other items are same as the endurance. Voltage application treatment : According to JIS C5101-4 4.1													
Applicable standards	JIS C5101 - 1, - 18 (IEC 60384 - 1, - 18)													

Outline Drawing

Unit : mm



Coefficient of Frequency for Rated Ripple Current

Frequency (Hz)	50	120	1k	10k·100k
Rated voltage (V)				
10 to 16	0.80	1	1.15	1.25
50	0.80	1	1.35	1.50

Part numbering system (example : 16V10µF)

RVF	—	16	V	100	M	E55	U	□
Series code		Rated voltage symbol		Rated capacitance symbol	Capacitance tolerance symbol	Casing symbol		Taping symbol

Refer to individual page.

(Soldering conditions, Land pattern size, The taping specifications)

Standard Ratings

Rated voltage (V)	10		16		50	
	Case φD×L (mm)	Rated ripple current (mArms)	Case φD×L (mm)	Rated ripple current (mArms)	Case φD×L (mm)	Rated ripple current (mArms)
1	—	—	—	—	4×5.3	7
2.2	—	—	—	—	5×5.3	11
3.3	—	—	—	—	6.3×5.3	16
4.7	—	—	4×5.3	10	6.3×5.3	19
10	5×5.3	15	5×5.3	16	8×10	41
22	6.3×5.3	25	6.3×5.3	28	—	—
33	6.3×5.3	31	8×10	50	—	—
47	8×10	54	8×10	60	—	—
100	8×10	79	8×10	87	—	—

(Note) Rated ripple current : 85°C, 120Hz.

NOTE : Design, Specifications are subject to change without notice.
It is recommended that you shall obtain technical specifications from ELNA to ensure that the component is suitable for your use.

Chip Type, For Audio, High Grade Capacitors

GREEN CAP

SMD

105°C
2000hours

For Audio

- New developed Al-Foil and Electrolyte for Audio grade allow lower distortion.
- New range of bright and smooth sound is achieved in SMD area.
- Guarantees 2000 hours 105°C.

High temperature, Long life



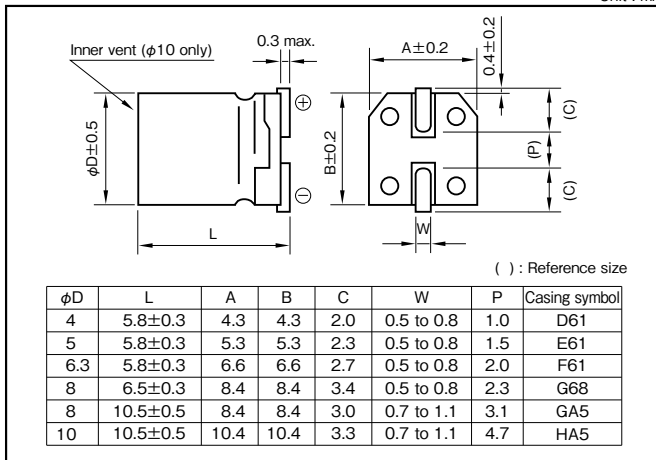
Marking color : Black print

Specifications

Item	Performance																				
Category temperature range (°C)	-55 to +105																				
Tolerance at rated capacitance (%)	±20 (20°C, 120Hz)																				
Leakage current (µA) (max.)	0,01CV or 3 whichever is larger (after 2 minutes) C : Rated capacitance (µF), V: Rated voltage (V) (20°C)																				
Tangent of loss angle (tanδ)	<table border="1"> <thead> <tr> <th>Rated voltage (V)</th> <th>6.3</th> <th>10</th> <th>16</th> <th>25</th> <th>35</th> <th>50</th> </tr> </thead> <tbody> <tr> <td>tanδ (max.)</td> <td>0.28</td> <td>0.24</td> <td>0.20</td> <td>0.16</td> <td>0.13</td> <td>0.12</td> </tr> </tbody> </table> <p>(20°C, 120Hz)</p>	Rated voltage (V)	6.3	10	16	25	35	50	tanδ (max.)	0.28	0.24	0.20	0.16	0.13	0.12						
Rated voltage (V)	6.3	10	16	25	35	50															
tanδ (max.)	0.28	0.24	0.20	0.16	0.13	0.12															
Characteristics at high and low temperature	<table border="1"> <thead> <tr> <th>Rated voltage (V)</th> <th>6.3</th> <th>10</th> <th>16</th> <th>25</th> <th>35</th> <th>50</th> </tr> </thead> <tbody> <tr> <td rowspan="2">Impedance ratio (max.)</td> <td>Z-25°C/Z+20°C</td> <td>2</td> <td>2</td> <td>2</td> <td>2</td> <td>2</td> </tr> <tr> <td>Z-55°C/Z+20°C</td> <td>8</td> <td>4</td> <td>4</td> <td>3</td> <td>3</td> </tr> </tbody> </table> <p>(120Hz)</p>	Rated voltage (V)	6.3	10	16	25	35	50	Impedance ratio (max.)	Z-25°C/Z+20°C	2	2	2	2	2	Z-55°C/Z+20°C	8	4	4	3	3
Rated voltage (V)	6.3	10	16	25	35	50															
Impedance ratio (max.)	Z-25°C/Z+20°C	2	2	2	2	2															
	Z-55°C/Z+20°C	8	4	4	3	3															
Endurance (105°C)	<table border="1"> <thead> <tr> <th>Test time</th> <th>2000 hours</th> </tr> </thead> <tbody> <tr> <td>Leakage current</td> <td>The initial specified value or less</td> </tr> <tr> <td>Percentage of capacitance change</td> <td>Within ±30% of initial value</td> </tr> <tr> <td>Tangent of the loss angle</td> <td>300% or less of the initial specified value</td> </tr> </tbody> </table>	Test time	2000 hours	Leakage current	The initial specified value or less	Percentage of capacitance change	Within ±30% of initial value	Tangent of the loss angle	300% or less of the initial specified value												
Test time	2000 hours																				
Leakage current	The initial specified value or less																				
Percentage of capacitance change	Within ±30% of initial value																				
Tangent of the loss angle	300% or less of the initial specified value																				
Shelf life (105°C)	Test time : 1000hours ; other items are same as the endurance. Voltage application treatment : According to JIS C5101-4 4.1																				
Applicable standards	JIS C5101 - 1, - 18 (IEC 60384 - 1, - 18)																				

Outline Drawing

Unit : mm



Coefficient of Frequency for Rated Ripple Current

Rated voltage (V)	Frequency (Hz)			
	50	120	1k	10k·100k
6.3 to 16	0.80	1	1.15	1.25
25 to 35	0.80	1	1.25	1.40
50	1 to 3.3µF	0.50	1	1.35
	4.7µF or more	0.70	1	1.35

Part numbering system (example : 6.3V220µF)

RVM	—	6	V	221	M	GA5	P	U	—	R2
Series code		Rated voltage symbol		Rated capacitance symbol	Capacitance tolerance symbol	Casing symbol				Taping symbol

Refer to individual page.
(Soldering conditions, Land pattern size, The taping specifications)

Standard Ratings

Rated voltage (V)	6.3		10		16		25		35		50	
	Case φD×L (mm)	Rated ripple current (mA Arms)	Case φD×L (mm)	Rated ripple current (mA Arms)	Case φD×L (mm)	Rated ripple current (mA Arms)	Case φD×L (mm)	Rated ripple current (mA Arms)	Case φD×L (mm)	Rated ripple current (mA Arms)	Case φD×L (mm)	Rated ripple current (mA Arms)
1	—	—	—	—	—	—	—	—	—	—	4×5.8	7
2.2	—	—	—	—	—	—	—	—	—	—	4×5.8	10
3.3	—	—	—	—	—	—	—	—	—	—	4×5.8	12
4.7	—	—	—	—	4×5.8	11	4×5.8	13	4×5.8	14	5×5.8	17
10	—	—	4×5.8	15	4×5.8	17	5×5.8	21	5×5.8	24	6.3×5.8	29
22	4×5.8	21	5×5.8	26	5×5.8	28	6.3×5.8	37	6.3×5.8	41	8×6.5	52
33	5×5.8	29	5×5.8	32	6.3×5.8	41	6.3×5.8	45	8×6.5	62	8×10.5	75
47	5×5.8	35	6.3×5.8	44	6.3×5.8	48	8×6.5	66	8×10.5	86	8×10.5	90
100	6.3×5.8	60	8×6.5	79	8×6.5	86	8×10.5	113	10×10.5	145	10×10.5	151
					8×10.5	101						
220	8×10.5	127	8×10.5	137	8×10.5	150	10×10.5	194	10×10.5	216	—	—
					10×10.5	174						
330	8×10.5	156	10×10.5	194	10×10.5	213	—	—	—	—	—	—
470	10×10.5	215	10×10.5	232	10×10.5	254	—	—	—	—	—	—

(Note) Rated ripple current : 105°C, 120Hz.

NOTE : Design, Specifications are subject to change without notice.
It is recommended that you shall obtain technical specifications from ELNA to ensure that the component is suitable for your use.

Chip Type Audio Use Capacitors

GREEN CAP

SMD

For Audio

- New developed Al-Foil and Electrolyte for Audio grade allow lower distortion.
- New range of bright and smooth sound is achieved in SMD area.



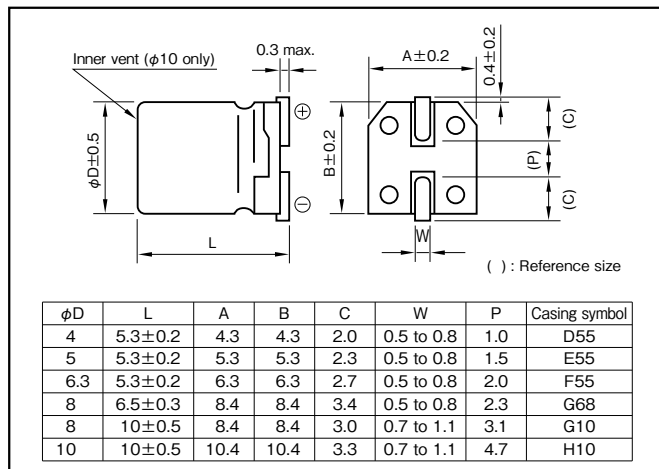
Marking color : Black print

Specifications

Item	Performance						
Category temperature range (°C)	-40 to +85						
Tolerance at rated capacitance (%)	±20 (20°C, 120Hz)						
Leakage current (µA) (max.)	0.01CV or 3 whichever is larger (after 2 minutes) C : Rated capacitance (µF) ; V : Rated voltage (V) (20°C)						
Tangent of loss angle (tanδ)	Rated voltage (V)	6.3	10	16	25	35	
	tanδ (max.)	0.28	0.24	0.20	0.16	0.14	
Characteristics at high and low temperature	Rated voltage (V)	6.3	10	16	25	35	
	Impedance ratio (max.)	Z-25°C/Z+20°C	4	3	2	2	2
		Z-40°C/Z+20°C	8	5	4	3	3
Endurance (85°C) (Applied ripple current)	Test time	2000 hours					
	Leakage current	The initial specified value or less					
	Percentage of capacitance change	Within ±20% of initial value					
	Tangent of the loss angle	200% or less of the initial specified value					
Shelf life (85°C)	Test time : 500hours ; other items are same as the endurance. Voltage application treatment : According to JIS C5101-4 4.1						
Applicable standards	JIS C5101 - 1, - 18 (IEC 60384 - 1, - 18)						

Outline Drawing

Unit : mm



Refer to individual page.
(Soldering conditions, Land pattern size, The taping specifications)

Coefficient of Frequency for Rated Ripple Current

Frequency (Hz)	50	120	1k	10k - 100k
Rated voltage (V)				
6.3 to 16	0.80	1	1.15	1.25
25 to 35	0.80	1	1.25	1.40

Part numbering system (example : 16V47 µF)

RVG	—	16	V	470	M	F55	U	□
Series code		Rated voltage symbol		Rated capacitance symbol	Capacitance tolerance symbol	Casing symbol		Taping symbol

Standard Ratings

Rated voltage (V)	6.3		10		16		25		35	
	Case φD×L (mm)	Rated ripple current (mArms)	Case φD×L (mm)	Rated ripple current (mArms)	Case φD×L (mm)	Rated ripple current (mArms)	Case φD×L (mm)	Rated ripple current (mArms)	Case φD×L (mm)	Rated ripple current (mArms)
3.3	—	—	—	—	—	—	—	—	4×5.3	11
4.7	—	—	—	—	4×5.3	11	4×5.3	12	4×5.3	13
10	—	—	—	—	5×5.3	19	5×5.3	21	5×5.3	22
22	4×5.3	20	—	—	5×5.3	28	6.3×5.3	36	6.3×5.3	39
33	5×5.3	29	5×5.3	31	6.3×5.3	40	6.3×5.3	44	8×6.5	60
47	5×5.3	34	6.3×5.3	43	6.3×5.3	47	8×6.5	66	8×10	82
100	6.3×5.3	58	8×6.5	79	8×6.5	87	8×10	112	10×10	139
220	8×6.5	107	8×10	136	8×10	149	10×10	192	—	—
330	8×10	153	8×10	166	10×10	221	—	—	—	—
470	8×10	183	10×10	229	—	—	—	—	—	—

(Note) Rated ripple current : 85°C, 120Hz

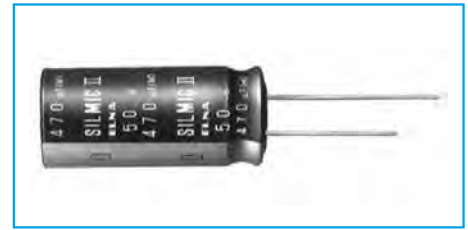
NOTE : Design, Specifications are subject to change without notice.
It is recommended that you shall obtain technical specifications from ELNA to ensure that the component is suitable for your use.

■ SILMIC series Silk fiber using audio purpose capacitor

- ELNA developed new raw material for the separate paper which use a silk fibers. Therefore, this capacitor can give you high grade sound for your audio design.
- Due to the silk fiber's pliability, the capacitor makes a dream of the high quality sound.

For examples ;

- To relieve the music's vibration energy.
- To decrease the peak feeling sound at high compass and rough quality sound at middle compass.
- To increase massive sound at low compass.
- For bipolar capacitors, consult with us.



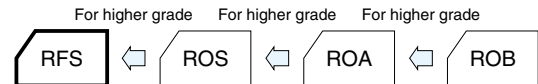
Marking color : White print on a brown sleeve

Miniature High Grade Capacitors for Audio(SILMIC II)

GREEN CAP

For Audio

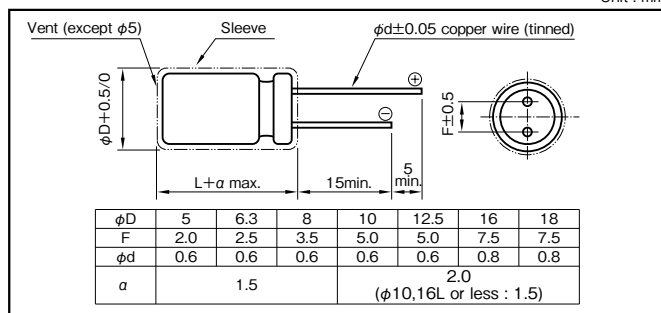
- All lead wires oxygen-free copper for extremely low distortion. (Third high frequency distortion 10kHz,0.1A,-120dB or less)
- "SILMIC II" mark on sleeve.



Specifications

Item	Performance																		
Category temperature range (°C)	-40 to +85																		
Tolerance at rated capacitance (%)	±20 (20°C,120Hz)																		
Leakage current (µA) (max.)	0.01CV or 3 whichever is larger (after 5 minutes) C : Rated capacitance (µF) ; V : Rated voltage (V) (20°C)																		
Tangent of loss angle (tanδ)	<table border="1"> <thead> <tr> <th>Rated voltage (V)</th> <th>6.3</th> <th>10</th> <th>16</th> <th>25</th> <th>35</th> <th>50</th> <th>63</th> <th>100</th> </tr> </thead> <tbody> <tr> <td>tanδ (max.)</td> <td>0.20</td> <td>0.17</td> <td>0.13</td> <td>0.10</td> <td>0.10</td> <td>0.08</td> <td>0.08</td> <td>0.08</td> </tr> </tbody> </table>	Rated voltage (V)	6.3	10	16	25	35	50	63	100	tanδ (max.)	0.20	0.17	0.13	0.10	0.10	0.08	0.08	0.08
	Rated voltage (V)	6.3	10	16	25	35	50	63	100										
tanδ (max.)	0.20	0.17	0.13	0.10	0.10	0.08	0.08	0.08											
0.02 is added to every 1000µF increase over 1000µF (20°C,120Hz)																			
Endurance (85°C) (Applied ripple current)	Test time	1000 hours																	
	Leakage current	The initial specified value or less																	
	Percentage of capacitance change	Within ±20% of initial value																	
	Tangent of the loss angle	150% or less of the initial specified value																	
Shelf life (85°C)	Test time : 1000hours ; other items are same as the endurance. Voltage application treatment : According to JIS C5101-4 4.1																		
Applicable standards	JIS C5101 - 1, - 4 (IEC 60384 - 1, - 4)																		

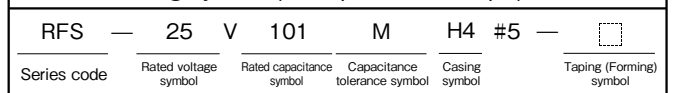
Outline Drawing



Coefficient of Frequency for Rated Ripple Current

Rated voltage (V)	Frequency (Hz)	CV (µF×VV)				
		50 · 60	120	1k	10k	100k
6.3 to 16	All CV value	0.8	1	1.1	1.2	1.2
	≤1000	0.8	1	1.5	1.7	1.7
25 to 35	1000<	0.8	1	1.2	1.3	1.3
	≤1000	0.8	1	1.6	1.9	1.9
50 to 100	1000<	0.8	1	1.2	1.3	1.3
	≤1000	0.8	1	1.6	1.9	1.9

Part numbering system (example : 25V100µF)



Case symbol

Case	Casing	Case	Casing	Case	Casing	Case	Casing
φD×L (mm)	Symbol	φD×L (mm)	Symbol	φD×L (mm)	Symbol	φD×L (mm)	Symbol
5×11	E3	10×12.5	H3	12.5×20	I5	16×31.5	J7
6.3×11	F3	10×16	H4	12.5×25	I6	16×35.5	J8
8×11.5	G3	10×20	H5	16×25	J6	18×35.5	K8
						18×40	K9

Standard Ratings

Rated capacitance (µF)	Rated voltage (V)	6.3		10		16		25		35		50		63		100		
		Case	Rated ripple current (mArms)	Case	Rated ripple current (mArms)	Case	Rated ripple current (mArms)	Case	Rated ripple current (mArms)	Case	Rated ripple current (mArms)	Case	Rated ripple current (mArms)	Case	Rated ripple current (mArms)	Case	Rated ripple current (mArms)	
3.3	—	—	—	—	—	—	—	—	—	—	—	5×11	25	5×11	30	—	—	
4.7	—	—	—	—	—	—	—	5×11	25	5×11	30	5×11	35	5×11	35	—	—	
10	—	—	—	—	—	5×11	35	5×11	35	5×11	35	6.3×11	40	6.3×11	40	—	—	
22	—	—	5×11	50	5×11	55	60	5×11	60	6.3×11	80	8×11.5	95	10×12.5	130	10×16	140	
33	5×11	55	6.3×11	70	6.3×11	90	8×11.5	120	10×12.5	140	10×16	175	10×20	190	12.5×20	220		
47	5×11	65	6.3×11	80	6.3×11	85	8×11.5	125	8×11.5	140	10×12.5	170	10×16	210	10×20	225	12.5×25	285
100	8×11.5	135	10×12.5	240	10×16	260	10×20	385	12.5×20	505	12.5×25	550	16×25	720	16×31.5	785	18×40	930
220	10×16	290	10×20	350	12.5×20	545	12.5×25	675	16×25	785	16×31.5	965	16×35.5	1010	—	—	—	
330	10×20	390	12.5×20	455	12.5×25	710	16×25	940	16×31.5	1030	16×35.5	1210	18×35.5	1295	—	—	—	
470	—	—	—	—	—	—	—	—	—	—	—	—	—	—	—	—	—	
1000	12.5×20	710	16×25	835	16×31.5	1315	16×35.5	1575	—	—	—	—	—	—	—	—	—	
2200	—	—	16×35.5	1500	18×40	2150	—	—	—	—	—	—	—	—	—	—	—	
3300	—	—	18×40	1980	—	—	—	—	—	—	—	—	—	—	—	—	—	

(Note) Rated ripple current : 85°C, 120Hz

NOTE : Design, Specifications are subject to change without notice. It is recommended that you shall obtain technical specifications from ELNA to ensure that the component is suitable for your use.

■ SILMIC series Silk fiber using audio purpose capacitor

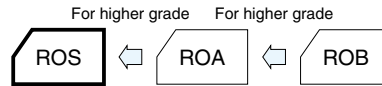
High Grade Capacitors for Audio(SILMIC)

GREEN CAP For Audio



Marking color : White print on a brown sleeve

- All lead wires oxygen-free copper for extremely low distortion. (Third high frequency distortion 10kHz,0.1A,-120dB or less)
- "SILMIC" mark on sleeve.

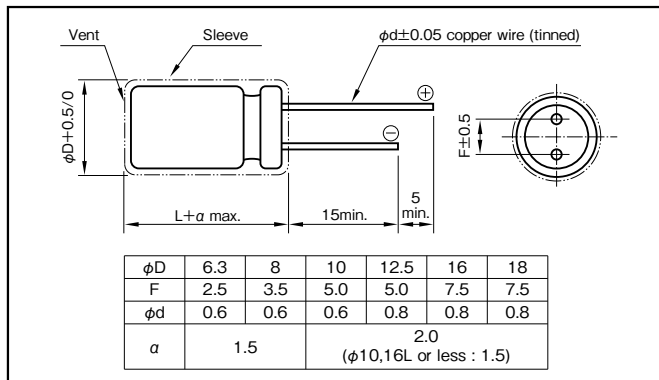


Specifications

Item	Performance														
Category temperature range (°C)	-40 to +85														
Tolerance at rated capacitance (%)	±20 (20°C,120Hz)														
Leakage current (µA) (max.)	0.01CV or 3 whichever is larger (after 5 minutes) C : Rated capacitance (µF) ; V: Rated voltage (V) (20°C)														
Tangent of loss angle (tanδ)	<table border="1"> <thead> <tr> <th>Rated voltage (V)</th> <th>16</th> <th>25</th> <th>35</th> <th>50</th> <th>63</th> <th>100</th> </tr> </thead> <tbody> <tr> <td>tanδ (max.)</td> <td>0.13</td> <td>0.10</td> <td>0.10</td> <td>0.08</td> <td>0.08</td> <td>0.08</td> </tr> </tbody> </table> <p>0.02 is added to every 1000µF increase over 1000µF (20°C,120Hz)</p>	Rated voltage (V)	16	25	35	50	63	100	tanδ (max.)	0.13	0.10	0.10	0.08	0.08	0.08
Rated voltage (V)	16	25	35	50	63	100									
tanδ (max.)	0.13	0.10	0.10	0.08	0.08	0.08									
Endurance (85°C) (Applied ripple current)	<table border="1"> <thead> <tr> <th>Test time</th> <th>1000 hours</th> </tr> </thead> <tbody> <tr> <td>Leakage current</td> <td>The initial specified value or less</td> </tr> <tr> <td>Percentage of capacitance change</td> <td>Within ±20% of initial value</td> </tr> <tr> <td>Tangent of the loss angle</td> <td>150% or less of the initial specified value</td> </tr> </tbody> </table>	Test time	1000 hours	Leakage current	The initial specified value or less	Percentage of capacitance change	Within ±20% of initial value	Tangent of the loss angle	150% or less of the initial specified value						
Test time	1000 hours														
Leakage current	The initial specified value or less														
Percentage of capacitance change	Within ±20% of initial value														
Tangent of the loss angle	150% or less of the initial specified value														
Shelf life (85°C)	Test time : 1000hours ; other items are same as the endurance. Voltage application treatment : According to JIS C5101-4 4.1														
Applicable standards	JIS C5101 - 1, - 4 (IEC 60384 - 1, - 4)														

Outline Drawing

Unit : mm



Coefficient of Frequency for Rated Ripple Current

Rated voltage (V)	Frequency (Hz) CV(µF×VV)	50 · 60	120	1k	10k	100k
		All CV value	0.8	1	1.1	1.2
25 to 35	≤1000	0.8	1	1.5	1.7	1.7
	1000<	0.8	1	1.2	1.3	1.3
50 to 100	≤1000	0.8	1	1.6	1.9	1.9
	1000<	0.8	1	1.2	1.3	1.3

Part numbering system (example : 25V100µF)



Case symbol

Case φD×L (mm)	Casing Symbol	Case φD×L (mm)	Casing Symbol	Case φD×L (mm)	Casing Symbol	Case φD×L (mm)	Casing Symbol
6.3×11	F3	10×16	H4	12.5×25	I6	16×35.5	J8
8×11.5	G3	10×20	H5	16×25	J6	18×35.5	K8
10×12.5	H3	12.5×20	I5	16×31.5	J7	18×40	K9

Standard Ratings

Rated voltage (V)	16		25		35		50		63		100	
	Case φD×L (mm)	Rated ripple current (mArms)	Case φD×L (mm)	Rated ripple current (mArms)	Case φD×L (mm)	Rated ripple current (mArms)	Case φD×L (mm)	Rated ripple current (mArms)	Case φD×L (mm)	Rated ripple current (mArms)	Case φD×L (mm)	Rated ripple current (mArms)
10	—	—	—	—	6.3×11	55	8×11.5	75	8×11.5	75	10×16	95
22	6.3×11	70	6.3×11	80	8×11.5	95	10×12.5	130	10×16	140	10×20	155
33	6.3×11	90	8×11.5	120	10×12.5	140	10×16	175	10×20	190	12.5×20	220
47	8×11.5	125	8×11.5	140	10×12.5	170	10×16	210	10×20	225	12.5×25	285
100	10×12.5	215	10×16	270	10×20	295	12.5×20	380	12.5×25	415	16×25	485
220	10×20	385	12.5×20	505	12.5×25	550	16×25	720	16×31.5	785	18×40	930
330	12.5×20	545	12.5×25	675	16×25	785	16×31.5	965	16×35.5	1010	—	—
470	12.5×25	710	16×25	940	16×31.5	1030	16×35.5	1210	18×35.5	1295	—	—
1000	16×31.5	1315	16×35.5	1575	18×35.5	1690	18×40	1985	—	—	—	—
2200	18×40	2150	—	—	—	—	—	—	—	—	—	—

(Note) Rated ripple current : 85°C, 120Hz.

NOTE : Design, Specifications are subject to change without notice.
It is recommended that you shall obtain technical specifications from ELNA to ensure that the component is suitable for your use.

Miniature Standard Capacitors for Audio

GREEN CAP For Audio

TONEREX

- Adopting the newly developed formation method and composite electrolytic paper for audio application has reduced distortion, achieving high-quality sound.
- All lead wires are oxygen-free copper wires to reduce distortion.



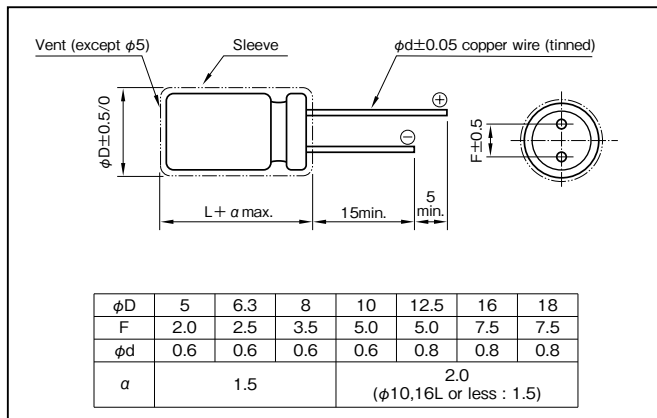
Marking color : Gold print on a black sleeve

Specifications

Item	Performance								
Category temperature range (°C)	-40 to +85								
Tolerance at rated capacitance (%)	±20 (20°C,120Hz)								
Leakage current (μA) (max.)	0.01CV or 4 whichever is larger (after 5 minutes) C : Rated capacitance (μF) ; V: Rated voltage (V) (20°C)								
Tangent of loss angle (tanδ)	Rated voltage (V)	6.3	10	16	25	35	50	63	100
	tanδ (max.)	0.24	0.20	0.16	0.14	0.12	0.10	0.09	0.08
0.02 is added to every 1000μF increase over 1000μF (20°C,120Hz)									
Endurance (85°C) (Applied ripple current)	Test time	1000 hours							
	Leakage current	The initial specified value or less							
	Percentage of capacitance change	Within ±20% of initial value							
	Tangent of the loss angle	150% or less of the initial specified value							
Shelf life (85°C)	Test time : 1000hours ; other items are same as the endurance. Voltage application treatment : According to JIS C5101-4 4.1								
Applicable standards	JIS C5101 - 1, - 4 (IEC 60384 - 1, - 4)								

Outline Drawing

Unit : mm



Coefficient of Frequency for Rated Ripple Current

Rated voltage (V)	Frequency (Hz)	CV (μF×VV)				
		50·60	120	1k	10k	100k
6.3 to 16	All CV value	0.8	1	1.1	1.2	1.2
	≤1000	0.8	1	1.5	1.7	1.7
25 to 35	1000<	0.8	1	1.2	1.3	1.3
	≤1000	0.8	1	1.6	1.9	1.9
50 to 100	1000<	0.8	1	1.2	1.3	1.3
	≤1000	0.8	1	1.2	1.3	1.3

Part numbering system (example : 25V100μF)



Case symbol

Case φD×L (mm)	Casing Symbol	Case φD×L (mm)	Casing Symbol	Case φD×L (mm)	Casing Symbol	Case φD×L (mm)	Casing Symbol
5×11	E3	10×12.5	H3	12.5×20	I5	16×31.5	J7
6.3×11	F3	10×16	H4	12.5×25	I6	16×35.5	J8
8×11.5	G3	10×20	H5	16×25	J6	18×35.5	K8
						18×40	K9

Standard Ratings

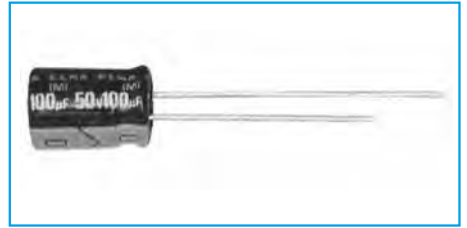
Rated voltage (V)	Item	6.3		10		16		25		35		50		63		100	
		Case φD×L (mm)	Rated ripple current (mArms)	Case φD×L (mm)	Rated ripple current (mArms)	Case φD×L (mm)	Rated ripple current (mArms)	Case φD×L (mm)	Rated ripple current (mArms)	Case φD×L (mm)	Rated ripple current (mArms)	Case φD×L (mm)	Rated ripple current (mArms)	Case φD×L (mm)	Rated ripple current (mArms)	Case φD×L (mm)	Rated ripple current (mArms)
1		—	—	—	—	—	—	—	—	—	—	5×11	10	—	—	5×11	15
2.2		—	—	—	—	—	—	—	—	—	—	5×11	20	—	—	5×11	25
3.3		—	—	—	—	—	—	—	—	—	—	5×11	25	—	—	5×11	30
4.7		—	—	—	—	—	—	5×11	25	—	—	5×11	35	5×11	35	6.3×11	40
10		—	—	—	—	5×11	35	5×11	40	5×11	45	5×11	50	6.3×11	60	8×11.5	70
22		—	—	5×11	50	5×11	60	5×11	60	6.3×11	75	6.3×11	80	8×11.5	100	10×12.5	120
33		5×11	55	5×11	65	5×11	70	6.3×11	80	6.3×11	90	8×11.5	110	8×11.5	115	10×16	160
47		5×11	65	5×11	75	6.3×11	95	6.3×11	100	8×11.5	120	8×11.5	130	10×12.5	165	10×20	210
100		6.3×11	110	6.3×11	120	8×11.5	150	8×11.5	165	10×12.5	210	10×16	250	10×20	285	12.5×20	340
220		8×11.5	185	8×11.5	200	10×12.5	265	10×16	310	10×20	365	12.5×20	440	12.5×20	470	16×25	620
330		10×12.5	265	10×12.5	290	10×16	350	10×20	410	12.5×20	500	12.5×20	540	12.5×25	620	16×31.5	820
470		10×12.5	315	10×16	380	10×20	460	12.5×20	550	12.5×25	640	16×25	800	16×25	840	18×35.5	1000
1000		10×20	550	12.5×20	670	12.5×25	810	16×25	1000	16×25	1050	16×31.5	1200	18×35.5	1500	—	—
2200		12.5×25	980	16×25	1200	16×25	1350	16×35.5	1650	18×35.5	1900	—	—	—	—	—	—
3300		16×25	1300	16×31.5	1600	16×35.5	1800	18×40	2100	—	—	—	—	—	—	—	—
4700		16×31.5	1700	16×35.5	1900	18×35.5	2400	—	—	—	—	—	—	—	—	—	—
6800		16×35.5	2100	18×40	2600	—	—	—	—	—	—	—	—	—	—	—	—
10000		18×40	2800	—	—	—	—	—	—	—	—	—	—	—	—	—	—

(Note) Rated ripple current : 85°C, 120Hz

NOTE : Design, Specifications are subject to change without notice. It is recommended that you shall obtain technical specifications from ELNA to ensure that the component is suitable for your use.

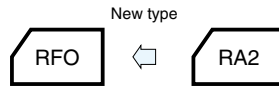
Miniature Capacitors for Audio (PURECAP)

GREEN CAP For Audio



Marking color : Gold print on a black sleeve

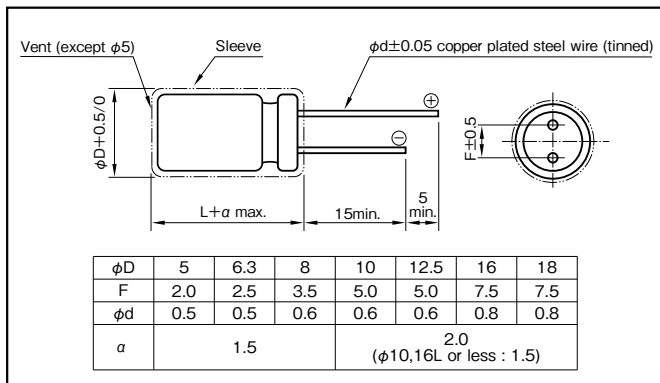
- A standard capacitor utilizing a newly developed material for a high grade of audio reproduction.
- All lead wires are copper plated steel wires.
- New type miniaturized capacitor for audio, using synthetic mica paper for the separator.



Specifications

Item	Performance	
Category temperature range (°C)	-40 to +85	
Tolerance at rated capacitance (%)	±20 (20°C,120Hz)	
Leakage current (µA) (max.)	0.01CV or 3 whichever is larger (after 2 minutes) C : Rated capacitance (µF) ; V : Rated voltage (V) (20°C)	
Tangent of loss angle (tanδ)	Rated voltage (V)	6.3 10 16 25 35 50 63 100
	tanδ (max.)	0.22 0.19 0.16 0.14 0.12 0.10 0.09 0.08
0.02 is added to every 1000µF increase over 1000µF (20°C,120Hz)		
Endurance (85°C) (Applied ripple current)	Test time	1000 hours
	Leakage current	The initial specified value or less
	Percentage of capacitance change	Within ±20% of initial value
	Tangent of the loss angle	150% or less of the initial specified value
Shelf life (85°C)	Test time : 1000hours ; other items are same as the endurance. Voltage application treatment : According to JIS C5101-4 4.1	
Applicable standards	JIS C5101 - 1, - 4 (IEC 60384 - 1, - 4)	

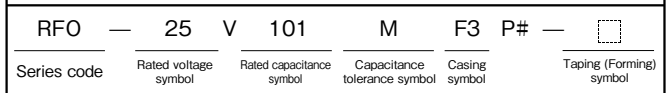
Outline Drawing



Coefficient of Frequency for Rated Ripple Current

Rated voltage(V)	Frequency(Hz)	CV(µF×V)				
		50 · 60	120	1k	10k	100k
6.3 to 16	All CV value	0.8	1	1.1	1.2	1.2
	≤1000	0.8	1	1.5	1.7	1.7
25 to 35	1000<	0.8	1	1.2	1.3	1.3
	≤1000	0.8	1	1.6	1.9	1.9
50 to 100	1000<	0.8	1	1.2	1.3	1.3
	≤1000	0.8	1	1.2	1.3	1.3

Part numbering system (example : 25V100µF)



Case symbol

Case φD×L (mm)	Casing Symbol	Case φD×L (mm)	Casing Symbol	Case φD×L (mm)	Casing Symbol	Case φD×L (mm)	Casing Symbol
5×11	E3	10×12.5	H3	12.5×20	I5	16×31.5	J7
6.3×11	F3	10×16	H4	12.5×25	I6	18×35.5	K8
8×11.5	G3	10×20	H5	16×25	J6		

Standard Ratings

Rated capacitance (µF)	6.3		10		16		25		35		50		63		100		
	Case φD×L (mm)	Rated ripple current (mArms)	Case φD×L (mm)	Rated ripple current (mArms)	Case φD×L (mm)	Rated ripple current (mArms)	Case φD×L (mm)	Rated ripple current (mArms)	Case φD×L (mm)	Rated ripple current (mArms)	Case φD×L (mm)	Rated ripple current (mArms)	Case φD×L (mm)	Rated ripple current (mArms)	Case φD×L (mm)	Rated ripple current (mArms)	
1	—	—	—	—	—	—	—	—	—	—	5×11	15	—	—	5×11	15	
2.2	—	—	—	—	—	—	—	—	—	—	5×11	20	—	—	5×11	25	
3.3	—	—	—	—	—	—	—	—	—	—	5×11	25	—	—	5×11	30	
4.7	—	—	—	—	—	—	—	—	—	5×11	30	5×11	35	5×11	35	—	
10	—	—	—	—	—	—	—	—	—	5×11	45	5×11	45	5×11	50	6.3×11	60
22	—	—	—	—	5×11	50	5×11	55	5×11	60	5×11	70	6.3×11	85	8×11.5	110	
33	—	—	5×11	55	5×11	60	5×11	70	5×11	80	6.3×11	100	6.3×11	100	10×12.5	160	
47	—	—	5×11	65	5×11	75	5×11	85	6.3×11	110	6.3×11	120	8×11.5	150	10×16	210	
100	5×11	85	5×11	95	6.3×11	120	6.3×11	140	8×11.5	190	8×11.5	210	10×12.5	260	12.5×20	380	
220	6.3×11	150	6.3×11	165	8×11.5	220	8×11.5	250	10×12.5	330	10×16	400	10×20	460	16×25	720	
330	6.3×11	180	8×11.5	240	8×11.5	270	10×12.5	370	10×16	450	10×20	540	12.5×20	650	16×25	880	
470	8×11.5	260	8×11.5	280	10×12.5	390	10×16	480	10×20	590	12.5×20	740	12.5×25	850	16×31.5	1150	
1000	10×12.5	450	10×16	540	10×20	680	12.5×20	880	12.5×25	1050	16×25	1350	16×31.5	1550	—	—	
2200	12.5×20	890	12.5×20	970	12.5×25	1200	16×25	1550	16×31.5	1750	18×35.5	2100	—	—	—	—	
3300	12.5×20	1050	12.5×25	1250	16×25	1600	16×31.5	1950	18×35.5	2250	—	—	—	—	—	—	
4700	16×25	1550	16×25	1650	16×31.5	2050	18×35.5	2500	—	—	—	—	—	—	—	—	
6800	16×25	1750	16×31.5	2050	18×35.5	2550	—	—	—	—	—	—	—	—	—	—	
10000	16×31.5	2150	18×35.5	2550	—	—	—	—	—	—	—	—	—	—	—	—	
15000	18×35.5	2700	—	—	—	—	—	—	—	—	—	—	—	—	—	—	

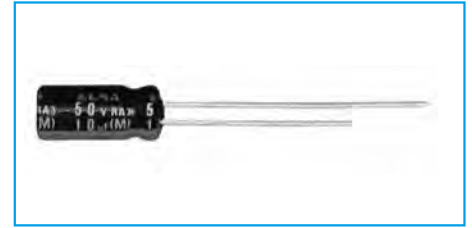
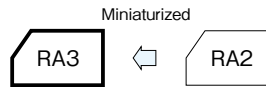
(Note) Rated ripple current : 85°C, 120Hz

NOTE : Design, Specifications are subject to change without notice. It is recommended that you shall obtain technical specifications from ELNA to ensure that the component is suitable for your use.

Miniature Capacitors for Audio

GREEN CAP For Audio

- With the same size as that for Series RE3 miniaturized standard capacitors, a high resolution sound quality grade has been realized.
- The newly developed audio use material makes clear sound a reality.
- All lead wires are copper plated steel wires.



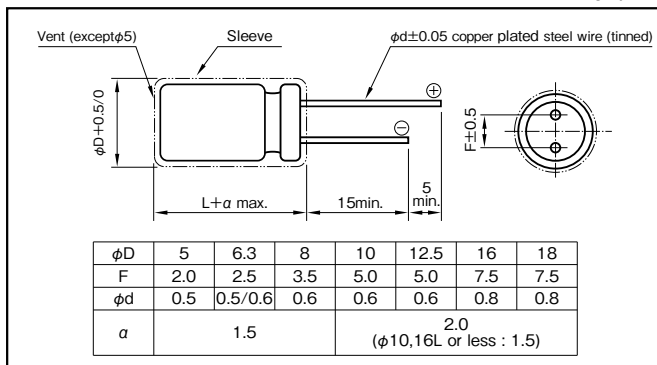
Marking color : White print on a brown sleeve

Specifications

Item	Performance									
Category temperature range (°C)	-40 to +85									
Tolerance at rated capacitance (%)	±20 (20°C,120Hz)									
Leakage current (μA) (max.)	0.01CV or 3 whichever is larger (after 2 minutes) C : Rated capacitance (μF) ; V : Rated voltage (V) (20°C)									
Tangent of loss angle (tanδ)	Rated voltage (V)	6.3	10	16	25	35	50	63	100	
	tanδ (max.)	0.28	0.24	0.20	0.16	0.14	0.12	0.11	0.10	
0.02 is added to every 1000μF increase over 1000μF (20°C,120Hz)										
Endurance (85°C) (Applied ripple current)	Test time	2000 hours								
	Leakage current	The initial specified value or less								
	Percentage of capacitance change	Within ±20% of initial value								
	Tangent of the loss angle	200% or less of the initial specified value								
Shelf life (85°C)	Test time : 1000hours ; other items are same as the endurance. Voltage application treatment : According to JIS C5101-4 4.1									
Applicable standards	JIS C5101 - 1,- 4 (IEC 60384 - 1,- 4)									

Outline Drawing

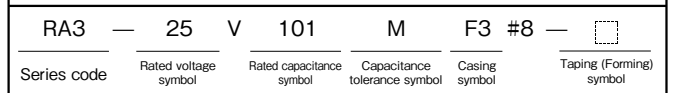
Unit : mm



Coefficient of Frequency for Rated Ripple Current

Rated voltage(V)	Frequency (Hz)	CV (μF×VV)				
		50 · 60	120	1k	10k	100k
6.3 to 16	All CV value	0.8	1	1.1	1.2	1.2
	≤1000	0.8	1	1.5	1.7	1.7
25 to 35	1000<	0.8	1	1.2	1.3	1.3
	≤1000	0.8	1	1.6	1.9	1.9
50 to 100	1000<	0.8	1	1.2	1.3	1.3
	≤1000	0.8	1	1.2	1.3	1.3

Part numbering system (example : 25V100μF)



Case symbol

Case φD×L (mm)	Casing Symbol	Case φD×L (mm)	Casing Symbol	Case φD×L (mm)	Casing Symbol	Case φD×L (mm)	Casing Symbol
5×11	E3	10×12.5	H3	12.5×20	I5	16×31.5	J7
6.3×11	F3	10×16	H4	12.5×25	I6	18×35.5	K8
8×11.5	G3	10×20	H5	16×25	J6	—	—

Standard Ratings

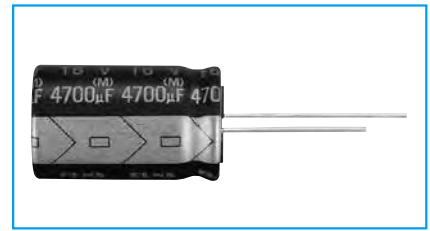
Rated capacitance (μF)	6.3		10		16		25		35		50		63		100	
	Case φD×L (mm)	Rated ripple current (mArms)	Case φD×L (mm)	Rated ripple current (mArms)	Case φD×L (mm)	Rated ripple current (mArms)	Case φD×L (mm)	Rated ripple current (mArms)	Case φD×L (mm)	Rated ripple current (mArms)	Case φD×L (mm)	Rated ripple current (mArms)	Case φD×L (mm)	Rated ripple current (mArms)	Case φD×L (mm)	Rated ripple current (mArms)
1	—	—	—	—	—	—	—	—	—	—	5×11	21	—	—	5×11	21
2.2	—	—	—	—	—	—	—	—	—	—	5×11	31	—	—	5×11	31
3.3	—	—	—	—	—	—	—	—	—	—	5×11	38	—	—	5×11	40
4.7	—	—	—	—	—	—	—	—	—	—	5×11	45	—	—	5×11	50
10	—	—	—	—	5×11	50	5×11	55	5×11	60	5×11	66	5×11	70	5×11	70
22	—	—	—	—	5×11	75	5×11	90	5×11	95	5×11	100	5×11	105	6.3×11	115
33	—	—	—	—	5×11	110	5×11	110	5×11	110	5×11	110	6.3×11	130	8×11.5	158
47	—	—	—	—	5×11	130	5×11	130	5×11	130	6.3×11	155	6.3×11	160	8×11.5	188
100	5×11	130	5×11	150	5×11	180	6.3×11	199	6.3×11	214	8×11.5	250	8×11.5	270	10×16	358
220	5×11	240	6.3×11	250	6.3×11	280	8×11.5	349	8×11.5	350	10×12.5	429	10×16	505	12.5×20	663
330	6.3×11	300	6.3×11	330	8×11.5	383	8×11.5	383	10×12.5	542	10×16	595	10×20	676	12.5×25	886
470	6.3×11	380	8×11.5	417	8×11.5	480	10×12.5	545	10×16	664	12.5×20	887	12.5×20	924	16×25	1230
1000	8×11.5	580	10×12.5	650	10×16	791	10×20	996	12.5×20	1210	12.5×25	1400	16×25	1710	18×35.5	2210
2200	10×16	939	10×20	1080	12.5×20	1350	12.5×25	1660	16×25	1950	16×31.5	2340	18×35.5	2870	—	—
3300	10×20	1230	12.5×20	1430	12.5×25	1690	16×25	2030	16×31.5	2320	18×35.5	2810	—	—	—	—
4700	12.5×20	1710	12.5×25	1780	16×25	2100	16×31.5	2650	18×35.5	2990	—	—	—	—	—	—
6800	12.5×25	1930	16×25	2270	16×31.5	2480	18×35.5	3290	—	—	—	—	—	—	—	—
10000	16×25	2450	16×31.5	2500	18×35.5	3130	—	—	—	—	—	—	—	—	—	—
15000	16×31.5	2580	18×35.5	3100	—	—	—	—	—	—	—	—	—	—	—	—
22000	18×35.5	3150	—	—	—	—	—	—	—	—	—	—	—	—	—	—

(Note) Rated ripple current : 85°C, 120Hz

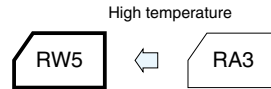
NOTE : Design, Specifications are subject to change without notice.
It is recommended that you shall obtain technical specifications from ELNA to ensure that the component is suitable for your use.

105°C Miniature Capacitors for Audio

GREEN CAP 105°C 1000hours For Audio



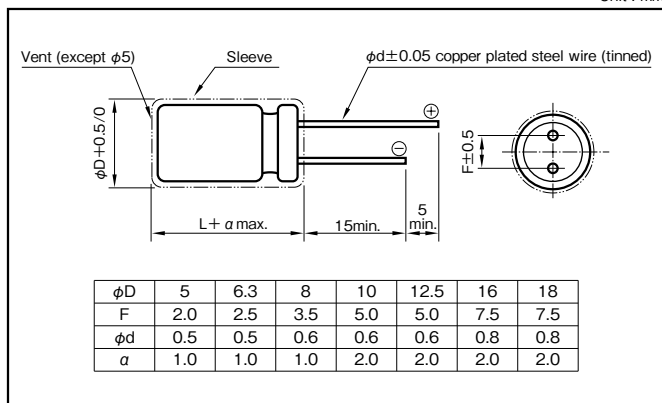
- With the same size as that for Series RJ5 miniaturized standard capacitors, a high resolution sound quality grade has been realized.
- Guarantees 1000 hours at 105°C



Specifications

Item	Performance														
Category temperature range (°C)	-55 to +105 Marking color : Gold print on a black sleeve														
Tolerance at rated capacitance (%)	±20 (20°C, 120Hz)														
Leakage current (µA) (max.)	0.03CV or 4 whichever is larger (after 1 minutes) C : Rated capacitance (µF), V : Rated voltage (V) (20°C)														
Tangent of loss angle (tanδ)	<table border="1"> <tr> <td>Rated voltage (V)</td> <td>16</td> <td>25</td> </tr> <tr> <td>tanδ (max.)</td> <td>0.24</td> <td>0.20</td> </tr> </table> <p>0.02CV is added to every 1000µF increase over 1000µF (20°C, 120Hz)</p>	Rated voltage (V)	16	25	tanδ (max.)	0.24	0.20								
Rated voltage (V)	16	25													
tanδ (max.)	0.24	0.20													
Characteristics at high and low temperature	<table border="1"> <tr> <td>Rated voltage (V)</td> <td>16</td> <td>25</td> </tr> <tr> <td rowspan="2">Impedance ratio (max.)</td> <td>Z-25°C/Z+20°C</td> <td>3</td> </tr> <tr> <td>Z-40°C/Z+20°C</td> <td>6</td> </tr> <tr> <td></td> <td></td> <td>2</td> </tr> <tr> <td></td> <td></td> <td>4</td> </tr> </table> <p>(120Hz)</p>	Rated voltage (V)	16	25	Impedance ratio (max.)	Z-25°C/Z+20°C	3	Z-40°C/Z+20°C	6			2			4
Rated voltage (V)	16	25													
Impedance ratio (max.)	Z-25°C/Z+20°C	3													
	Z-40°C/Z+20°C	6													
		2													
		4													
Endurance (105°C) (Applied ripple current)	<table border="1"> <tr> <td>Test time</td> <td>1000 hours</td> </tr> <tr> <td>Leakage current</td> <td>The initial specified value or less</td> </tr> <tr> <td>Percentage of capacitance change</td> <td>Within ±20% of initial value</td> </tr> <tr> <td>Tangent of the loss angle</td> <td>200% or less of the initial specified value</td> </tr> </table>	Test time	1000 hours	Leakage current	The initial specified value or less	Percentage of capacitance change	Within ±20% of initial value	Tangent of the loss angle	200% or less of the initial specified value						
Test time	1000 hours														
Leakage current	The initial specified value or less														
Percentage of capacitance change	Within ±20% of initial value														
Tangent of the loss angle	200% or less of the initial specified value														
Shelf life (105°C)	Test time : 1000hours ; other items are same as the endurance. Voltage application treatment : According to JIS C5101-4 4.1														
Applicable standards	JIS C5101 - 1, - 4 (IEC 60384 - 1, - 4)														

Outline Drawing



Coefficient of Frequency for Rated Ripple Current

Rated Capacitance (µF)	Frequency (Hz)				
	50 · 60	120	1k	10k	100k
100 to 220	0.8	1	1.2	1.3	1.4
330 to 1000	0.8	1	1.2	1.2	1.3
2200 to 15000	0.8	1	1.1	1.1	1.1

Part numbering system (example : 16V3300µF)

RW5	—	16	V	332	M	I6	#	—	□
Series code		Rated voltage symbol		Rated capacitance symbol	Capacitance tolerance symbol	Casing symbol			Taping (Forming) symbol

Standard Ratings

Rated voltage (V)	Item	16			25		
		Case φD×L (mm)	Casing symbol	Rated ripple current (mArms)	Case φD×L (mm)	Casing symbol	Rated ripple current (mArms)
100	—	—	—	—	5×11.5	E3	125
220	6.3×11.5	F3	190	6.3×11.5	F3	200	
330	6.3×11.5	F3	225	8×12	G3	310	
470	8×12	G3	323	10×12.5	H3	429	
1000	10×12.5	H3	500	10×16	H4	610	
2200	10×20	H5	710	12.5×25	I6	1180	
				16×20	J5	1230	
				18×16	K4	1200	
3300	12.5×25	I6	1200	16×25	J6	1440	
				16×20	J5	1250	
4700	16×25	J6	1500	18×20	K5	1400	
				18×20	K5	1530	
6800	16×25	J6	1600	16×35.5	J8	1850	
				18×20	K5	1560	
10000	16×35.5	J8	1930	18×40	K9	2000	
15000	18×40	K9	2210	—	—	—	

(Note) Rated ripple current : 105°C, 120Hz

NOTE : Design, Specifications are subject to change without notice.
It is recommended that you shall obtain technical specifications from ELNA to ensure that the component is suitable for your use.

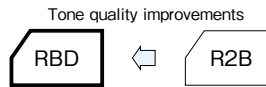
Miniature Bipolar Capacitors for Audio

GREEN CAP For Audio



Marking color : Gold print on a black sleeve

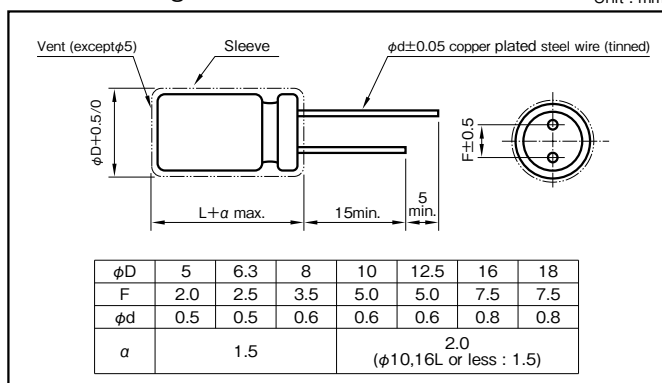
- The newly developed audio use foil and special electrolyte makes clear and far-carrying sound a reality.
- All lead wires are copper plated steel wires.



Specifications

Item	Performance									
Category temperature range (°C)	-40 to +85									
Tolerance at rated capacitance (%)	±20 (20°C, 120Hz)									
Leakage current (µA) (max.)	0.03CV + 3 (after 5 minutes) C : Rated capacitance (µF); V : Rated voltage (V) (20°C)									
Tangent of loss angle (tanδ)	Rated voltage (V)	6.3	10	16	25	35	50	63	100	
	tanδ (max.)	0.24	0.20	0.16	0.15	0.14	0.12	0.10	0.09	
0.02 is added to every 1000µF increase over 1000µF. (20°C, 120Hz)										
Characteristics at high and low temperature	Rated voltage (V)	6.3	10	16	25	35	50	63	100	
	Impedance ratio (max.)	Z-25°C/Z+20°C	4	3	2	2	2	2	2	2
0.5 for -25°C, 1 for -40°C are added to every 1000µF increase over 1000µF. (120Hz)										
Endurance (85°C) (Applied ripple current)	Test time	2000 hours (with the polarity inverted every 250 hours)								
	Leakage current	The initial specified value or less								
	Percentage of capacitance change	Within ±20% of initial value								
	Tangent of the loss angle	150% or less of the initial specified value								
Applicable standards	JIS C5101 - 1, - 4 1998 (IEC 60384 - 1, - 4)									

Outline Drawing



Coefficient of Frequency for Rated Ripple Current

Rated voltage (V)	Frequency (Hz)			
	50 · 60	120	1k	10k · 100k
6.3 to 16	0.8	1	1.1	1.2
25 to 35	0.8	1	1.5	1.7
50 to 100	0.8	1	1.6	1.9

Part numbering system (example : 10V1000µF)

RBD	—	10	V	102	M	I5	#	—	□
Series code		Rated voltage symbol		Rated capacitance symbol	Capacitance tolerance symbol	Casing symbol			Taping (Forming) symbol

Case symbol

Case φD×L (mm)	Casing Symbol	Case φD×L (mm)	Casing Symbol	Case φD×L (mm)	Casing Symbol	Case φD×L (mm)	Casing Symbol
5×11	E3	10×12.5	H3	12.5×20	I5	16×31.5	J7
6.3×11	F3	10×16	H4	12.5×25	I6	18×35.5	K8
8×11.5	G3	10×20	H5	16×25	J6	—	—

Standard Ratings

Rated voltage (V)	6.3		10		16		25		35		50		63		100	
	Item Case φD×L (mm)	Rated ripple current (mA _{rms})	Case φD×L (mm)	Rated ripple current (mA _{rms})	Case φD×L (mm)	Rated ripple current (mA _{rms})	Case φD×L (mm)	Rated ripple current (mA _{rms})	Case φD×L (mm)	Rated ripple current (mA _{rms})	Case φD×L (mm)	Rated ripple current (mA _{rms})	Case φD×L (mm)	Rated ripple current (mA _{rms})	Case φD×L (mm)	Rated ripple current (mA _{rms})
1	—	—	—	—	—	—	—	—	—	—	5×11	14	—	—	5×11	16
2.2	—	—	—	—	—	—	—	—	—	—	5×11	21	5×11	23	5×11	24
3.3	—	—	—	—	—	—	—	—	—	—	5×11	26	5×11	28	6.3×11	34
4.7	—	—	—	—	—	—	5×11	28	5×11	28	5×11	31	5×11	34	6.3×11	41
10	—	—	—	—	5×11	39	5×11	40	5×11	42	5×11	45	6.3×11	57	8×11.5	70
22	—	—	5×11	52	5×11	58	5×11	60	6.3×11	71	6.3×11	77	8×11.5	89	10×16	136
33	5×11	58	5×11	63	5×11	71	6.3×11	84	6.3×11	87	8×11.5	111	10×12.5	144	10×20	181
47	5×11	69	5×11	75	6.3×11	97	6.3×11	100	8×11.5	122	10×12.5	157	10×16	188	12.5×20	248
100	6.3×11	115	6.3×11	126	8×11.5	167	10×12.5	204	10×12.5	212	10×20	273	12.5×20	343	16×25	458
220	8×11.5	202	8×11.5	221	10×12.5	294	10×16	332	10×20	375	12.5×25	506	16×25	645	18×35.5	837
330	8×11.5	247	10×12.5	322	10×16	394	10×20	444	12.5×20	526	12.5×25	620	—	—	—	—
470	10×12.5	350	10×16	420	10×20	513	12.5×20	607	12.5×25	685	16×25	861	—	—	—	—
1000	10×20	611	12.5×20	767	12.5×25	935	16×25	1120	16×31.5	1270	—	—	—	—	—	—
2200	12.5×25	1090	16×25	1380	16×31.5	1660	—	—	—	—	—	—	—	—	—	—
3300	16×25	1490	16×31.5	1760	—	—	—	—	—	—	—	—	—	—	—	—
4700	16×31.5	1880	18×35.5	2280	—	—	—	—	—	—	—	—	—	—	—	—

(Note) Rated ripple current : 85°C, 120Hz

NOTE : Design, Specifications are subject to change without notice.
It is recommended that you shall obtain technical specifications from ELNA to ensure that the component is suitable for your use.

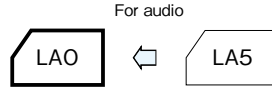
Power Supply Smoothing Use, Standard Capacitors for Audio

GREEN CAP For Audio

- Best suited as power supply filters for sound quality priority audio equipment.
- Printed circuit board terminal snap-in type.



Marking color : Gold print on a black sleeve

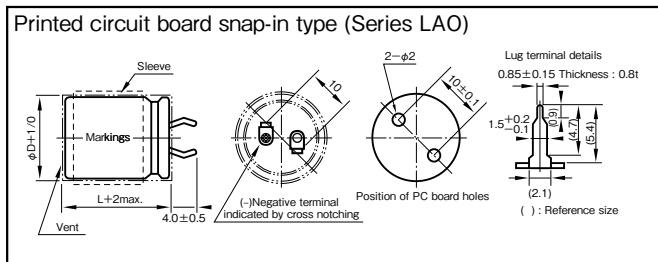


Specifications

Item	Performance			
Category temperature range (°C)	-40 to +85			
Tolerance at rated capacitance (%)	±20 (20°C, 120Hz)			
Leakage current (µA) (max.)	0.03CV or 5mA whichever is larger (after 5 minutes) C : Rated capacitance (µF), V : Rated voltage (V) (20°C)			
Tangent of loss angle (tanδ)	Rated voltage (V)	16, 25	35	50 to 100
	tanδ (max.)	0.40	0.35	0.30
Characteristics at high and low temperature	Rated voltage (V)	16 to 35	50 to 100	
	Impedance ratio (max.)	Z-25°C/Z+20°C	4	3
		Z-40°C/Z+20°C	15	10
Endurance (85°C) (Applied ripple current)	Test time	1000 hours		
	Leakage current	The initial specified value or less		
	Percentage of capacitance change	Within ±20% of initial value		
	Tangent of the loss angle	150% or less of the initial specified value		
Shelf life (85°C)	Test time : 1000hours ; other items are same as the endurance. Voltage application treatment : According to JIS C5101-4 4.1			
Applicable standards	JIS C5101 - 1,- 4 (IEC 60384 - 1,- 4)			

Outline Drawing

Unit : mm



Coefficient of Frequency for Rated Ripple Current

Rated voltage (V) \ Frequency (Hz)	50	120	1k	10k	20k
16 to 50	0.95	1	1.10	1.15	1.15
63 to 100	0.95	1	1.16	1.30	1.33

Part numbering system (example : 63V6800µF)

LAO	—	63	V	682	M	S57	PX #	B
Series code		Rated voltage symbol		Rated capacitance symbol	Capacitance tolerance symbol	Casing symbol		Optional symbol

Standard Ratings

Case φD×L (mm)	Casing symbol	Item	16		25		35		50		63		80		100	
			Rated capacitance (µF)	Rated ripple current (Arms)	Rated capacitance (µF)	Rated ripple current (Arms)	Rated capacitance (µF)	Rated ripple current (Arms)	Rated capacitance (µF)	Rated ripple current (Arms)	Rated capacitance (µF)	Rated ripple current (Arms)	Rated capacitance (µF)	Rated ripple current (Arms)	Rated capacitance (µF)	Rated ripple current (Arms)
22×20	S21		3300	1.2	—	—	—	—	—	—	—	—	—	—	—	
22×25	S22		4700	1.5	2200	1.0	1500	0.8	1000	0.8	680	0.7	—	—	—	
22×30	S23		—	—	3300	1.3	2200	1.3	1500	1.1	1000	0.9	680	0.7	—	
22×35	S24		6800	2.0	4700	1.7	3300	1.7	—	—	1500	1.2	1000	1.0	680	
22×40	S25		—	—	—	—	—	—	2200	1.5	—	—	—	—	—	
22×45	S26		10000	2.7	6800	2.2	4700	2.3	—	—	2200	1.6	—	—	—	
22×50	S27		—	—	—	—	—	—	3300	2.0	—	—	1500	1.3	1000	
25×25	S32		—	—	3300	1.7	2200	1.7	1500	1.4	1000	1.2	680	1.0	—	
25×30	S33		6800	2.5	4700	2.1	3300	2.2	2200	1.8	1500	1.5	1000	1.2	680	
25×35	S34		10000	3.2	—	—	—	—	—	—	—	—	—	—	—	
25×40	S35		—	—	6800	2.7	4700	2.8	3300	2.3	2200	1.9	1500	1.6	1000	
25×45	S36		—	—	—	—	—	—	—	—	—	—	—	—	—	
25×50	S37		—	—	10000	3.0	6800	2.6	4700	2.4	3300	2.0	2200	2.0	1500	
30×25	S42		6800	2.6	4700	2.2	3300	2.3	2200	1.9	1500	1.6	1000	1.3	680	
30×30	S43		10000	3.3	6800	2.7	4700	2.8	3300	2.4	2200	1.9	1500	1.6	1000	
30×35	S44		—	—	—	—	—	—	—	—	—	—	—	—	—	
30×40	S45		—	—	10000	3.1	6800	2.7	4700	2.4	3300	2.1	2200	2.1	1500	
30×45	S46		—	—	—	—	—	—	—	—	—	—	—	—	—	
30×50	S47		—	—	—	—	10000	3.4	6800	3.1	4700	2.6	3300	2.2	2200	
35×25	S52		10000	3.4	6800	2.8	4700	2.9	3300	2.4	2200	2.0	1500	1.7	1000	
35×30	S53		—	—	10000	3.1	6800	2.7	4700	2.5	3300	2.1	2200	2.1	1500	
35×35	S54		—	—	—	—	—	—	—	—	—	—	—	—	—	
35×40	S55		—	—	—	—	10000	3.5	6800	3.1	4700	2.6	3300	2.2	2200	
35×45	S56		—	—	—	—	—	—	—	—	—	—	—	—	—	
35×50	S57		—	—	—	—	—	—	—	—	—	—	—	—	—	

(Note) Rated ripple current : 85°C, 120Hz

NOTE : Design, Specifications are subject to change without notice.
It is recommended that you shall obtain technical specifications from ELNA to ensure that the component is suitable for your use.

1 General Description of Aluminum Electrolytic Capacitors

1-1 The Principle of Capacitor

The principle of capacitor can be presented by the principle drawing as in Fig.1-1.

When a voltage is applied between the metal electrodes placed opposite on both surfaces of a dielectric, electric charge can be stored proportional to the voltage.

$$Q = C \cdot V$$

Q : Quantity of electricity (C)

V : Voltage (V)

C : Capacitance (F)

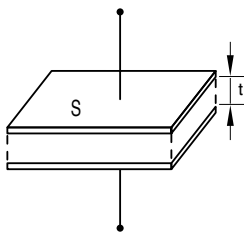


Fig.1-1

C, called the capacitance of capacitor, is expressed by the following expression with the electrode area S[m²], the electrode spacing t [m] and the dielectric constant of dielectric “ε”:

$$C[F] = \epsilon_0 \cdot \epsilon \cdot \frac{S}{t}$$

ε₀ : Dielectric constant in vacuum (=8.85×10⁻¹²F/m)

The dielectric constant of an aluminum oxide film is 7 to 8. Larger capacitances can be obtained by enlarging the electrode area S or reducing t.

Table 1-1 shows the dielectric constants of typical dielectrics used in the capacitor. In many cases, capacitor names are determined by the dielectric material used, for example, aluminum electrolytic capacitor, tantalum capacitor, etc.

Table 1

Dielectric	Dielectric Constant	Dielectric	Dielectric Constant
Aluminum oxide film	7 to 8	Porcelain (ceramic)	10 to 120
Mylar	3.2	Polystyrene	2.5
Mica	6 to 8	Tantalum oxide film	10 to 20

Although the aluminum electrolytic capacitor is small, it has a large capacitance. It is because the electrode area is roughened by electrochemical etching, enlarging the electrode area and also because the dielectric is very thin.

The schematic cross section of the aluminum electrolytic capacitor is as in Fig.1-2.

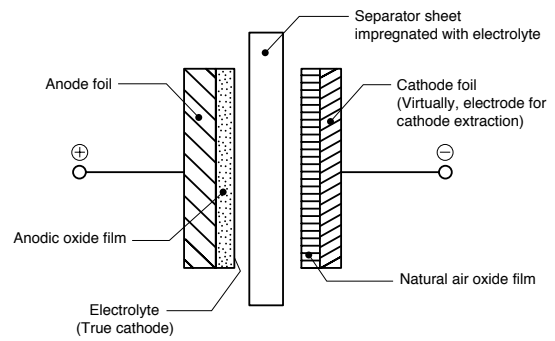
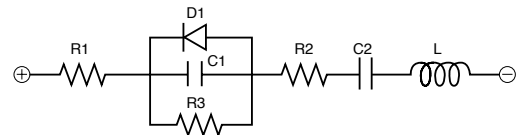


Fig.1-2

1-2 Equivalent Circuit of the Capacitor

The electrical equivalent circuit of the aluminum electrolytic capacitor is as presented in the following figure.



R1 : Resistance of terminal and electrode

R2 : Resistances of anodic oxide film and electrolyte

R3 : Insulation resistance because of defective anodic oxide film

D1 : Oxide semiconductor of anode foil

C1 : Capacity of anode foil

C2 : Capacity of cathode foil

L : Inductance caused by terminals, electrodes, etc.

2 About the Life of an Aluminum Electrolytic Capacitor

2-1 Estimation of life with minimal ripple current (negligible).

Generally, the life of an aluminum electrolytic capacitor is closely related with its ambient temperature and the life will be approximately the same as the one obtained by Arrhenius' equation.

$$L = L_0 \times 2^{\left(\frac{T_0 - T}{10}\right)} \dots\dots\dots(1)$$

Where L : Life at temperature T

L₀ : Life at temperature T₀

NOTE : Design, Specifications are subject to change without notice.
It is recommended that you shall obtain technical specifications from ELNA to ensure that the component is suitable for your use.

2-2 Estimation of life considering the ripple current.

The ripple current affects the life of a capacitor because the internal loss (ESR) generates heat. The generated heat will be :

$$P = I^2R \dots\dots\dots(2)$$

Where I : Ripple current (Arms)

R : ESR (Ω)

With increase in the temperature of the capacitor:

$$\Delta T = \frac{I^2 \times R}{A \times H} \dots\dots\dots(3)$$

Where ΔT : Temperature increase in the capacitor core(deg.)

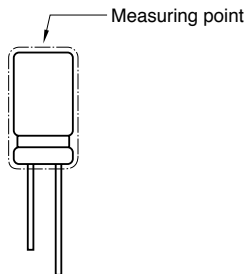
I : Ripple current (Arms)

R : ESR (Ω)

A : Surface area of the capacitor (cm^2)

H : Radiation coefficient (Approx. 1.5 to 2.0 $\times 10^{-3} \text{W/cm}^2 \times \text{C}$)

The above equation (3) shows that the temperature of a capacitor increases in proportion to the square of the applied ripple current and ESR, and in inverse proportion to the surface area. Therefore, the amount of the ripple current determines the heat generation, which affects the life. The value of ΔT varies depending on the capacitor types and operating conditions. The usage is generally desirable if ΔT remains less than 5°C. The measuring point for temperature increase due to ripple current is shown below ;



Test results:

(1) The life equation considering the ambient temperature and the ripple current will be :

$$L = L_d \times 2^{\left(\frac{T_0 - T}{10}\right)} \times K^{\left(\frac{-\Delta T}{10}\right)} \dots\dots\dots(4)$$

Where L_d : Life at DC operation (h)

K : Ripple acceleration factor

(K=2, within allowable ripple current)

(K=4, if exceeding allowable ripple current)

T_0 : Upper category temperature ($^{\circ}\text{C}$)

T : Operating temperature ($^{\circ}\text{C}$)

ΔT : Temperature increase at capacitor core (deg.)

(2) The life equation based on the life with the rated ripple current applied under the maximum guaranteed temperature will be a conversion of the above equation (4), as below :

$$L = L_r \times 2^{\left(\frac{T_0 - T}{10}\right)} \times K^{\left(\frac{\Delta T_0 - \Delta T}{10}\right)} \dots\dots\dots(5)$$

Where L_r : Life at the upper category temperature with the rated ripple current (h)

ΔT_0 : Temperature increase at capacitor core, at the upper category temperature (deg.)

(3) The life equation considering the ambient temperature and the ripple current will be a conversion of the above equation (5), as below :

$$L = L_r \times 2^{\left(\frac{T_0 - T}{10}\right)} \times K^{\left\{1 - \left(\frac{I}{I_0}\right)^2\right\}} \times \frac{\Delta T_0}{10} \dots\dots\dots(6)$$

Where I_0 : Rated ripple current at the upper category temperature (Arms)

I : Applied ripple current (Arms)

(4) The life equation considering the ambient temperature, ripple current and applied voltage will be the below (7) by adding the effectiveness of the voltage deration.

(Apply to the rated voltage 200V to 500V of LA*, LT*, LJ* series)

$$L = L_r \cdot 2^{\left(\frac{T_0 - T}{10}\right)} \cdot K^{\left\{1 - \left(\frac{I}{I_0}\right)^2\right\}} \cdot \frac{\Delta T_0}{10} \cdot \left(\frac{V_r}{V_a}\right)^{2.5} \dots\dots\dots(7)$$

V_r : Rated voltage (V)

V_a : Applied voltage (V)

Except, when $V_a/V_r < 0.6$, fix to $V_a = V_r \times 0.6$

ΔT_0 of each category highest temperature

Aluminum Electrolytic Capacitors	<table border="0"> <tr><td>85</td><td>: 10deg</td></tr> <tr><td>105 to 135</td><td>: 5deg</td></tr> <tr><td>150</td><td>: 3deg</td></tr> </table>	85	: 10deg	105 to 135	: 5deg	150	: 3deg
85	: 10deg						
105 to 135	: 5deg						
150	: 3deg						
Polymer hybrid type aluminum Electrolytic Capacitors	<table border="0"> <tr><td>105</td><td>: 15deg</td></tr> <tr><td>125</td><td>: 10deg</td></tr> <tr><td>135</td><td>: 10deg</td></tr> </table>	105	: 15deg	125	: 10deg	135	: 10deg
105	: 15deg						
125	: 10deg						
135	: 10deg						

NOTE : Design, Specifications are subject to change without notice.
It is recommended that you shall obtain technical specifications from ELNA to ensure that the component is suitable for your use.

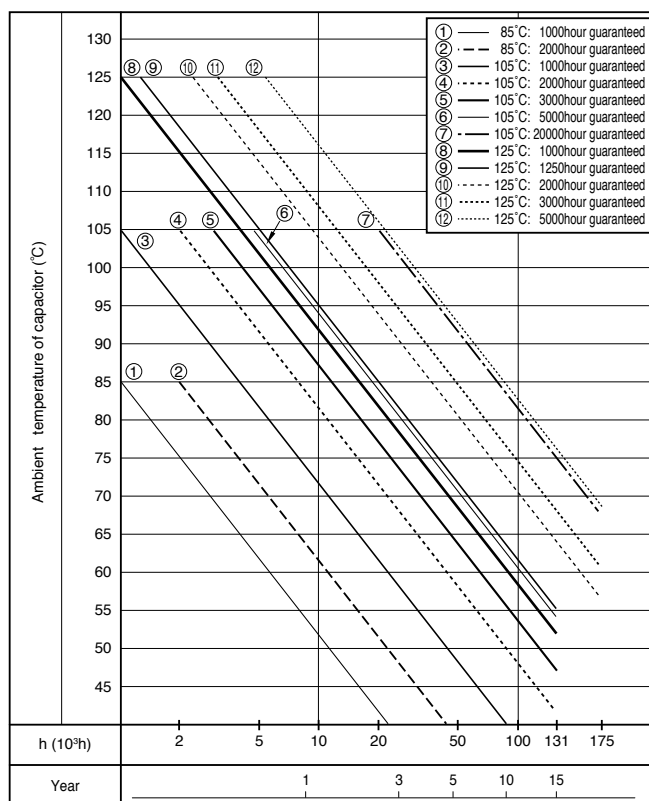
Since it is actually difficult to measure the temperature increase at the capacitor core, the following table is provided for conversion from the surface temperature increase to the core temperature increase.

Table 2-1

Case diameter	~10	12.5~16	18	20~22	25	30	35
Core / Surface	1.1	1.2	1.25	1.3	1.4	1.6	1.65

The life expectancy formula shall in principle be applied to the temperature range between the ambient temperature of +40°C and upper category temperature. The expected life time shall be about fifteen years at maximum as a guide in terms of deterioration of the sealant.

(Fig. 2-1 Life Expectancy Chart)



NOTE : Design, Specifications are subject to change without notice.
It is recommended that you shall obtain technical specifications from ELNA to ensure that the component is suitable for your use.

2-3 Practical Examples of Life Expectancy

As practical examples of life expectancy, we introduce 250V 560 μF in the LAT Series considering the effect of high-frequency component. Figures 2-2 to 2-4 show the simulated ripple current waveforms when the high-frequency component for switching is superimposed on the commercial frequency component.

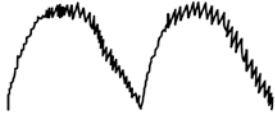


Fig.2-2 Ripple Current Waveform of Capacitor

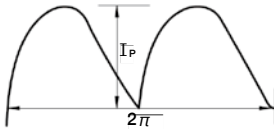


Fig.2-3 Low-frequency component

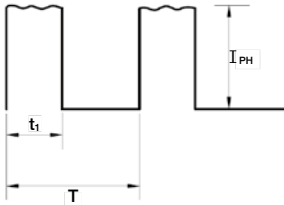


Fig.2-4 High-frequency component

Each of the above may be obtained as the effective ripple current value. Assuming that the ripple current waveform of the low-frequency component is generally approximated to the full-wave rectification waveform as shown in Fig.2-3, we obtain the effective ripple current value I_L as follows:

$$I_L = \frac{I_{PL}}{\sqrt{2}} = 0.707 \times I_{PL}$$

Since the ripple current waveform of the high-frequency component is approximated to the rectangular as shown in Fig.2-4, the effective current value of high-frequency component I_H is given by

$$I_H = \sqrt{\frac{1}{T} \int_0^{t_1} I_{PH}^2 dt} = I_{PH} \sqrt{\frac{t_1}{T}}$$

The reason why the ripple current affects the life is due to the heat generated by the ESR (R) of capacitor.

That is, ΔT by heat generation can be expressed by

$$\Delta T \propto I^2 \times R \text{ from Expression (2).}$$

Therefore, when ripple currents with different frequencies are handled, each current value must first be squared and then summed. That is:

$$I = \sqrt{(I_L)^2 + (I_H)^2}$$

Now, we proceed to specific examples assuming that the effective ripple current values of low-and high-frequencies have been obtained by the above methods.

Data A (Test piece and basic data)

Product name	: 250V 560 μF φ 30x30 L, Series LAT
L_r	= 2000 hours
K	= 4
T_0	= 105°C
ΔT_0	= 5deg
I_0	= 1.80Arms at 105°C, 120Hz

To verify the effect of the high-frequency component, the expected life will be calculated for each of three high-frequency ripple current conditions.

Data B

I_L	= 2.4Arms at 120Hz, T=45°C
I_{H1}	= 0.36Arms at 1kHz (corresponding to 15% of the commercial frequency component)
I_{H2}	= 0.72Arms at 10kHz (corresponding to 30% of the commercial frequency component)
I_{H3}	= 1.2Arms at 30kHz (corresponding to 50% of the commercial frequency component)

For Data B, the currents are converted to 120Hz by the frequency conversion factor for the cases of ignorance of the high-frequency component, and each high-frequency component condition.

$$I = 2.4/1 = 2.4A$$

$$I_1 = \sqrt{(2.4)^2 + (0.36/1.32)^2} \doteq 2.42A$$

$$I_2 = \sqrt{(2.4)^2 + (0.72/1.45)^2} \doteq 2.45A$$

$$I_3 = \sqrt{(2.4)^2 + (1.2/1.50)^2} \doteq 2.53A$$

Explained here is about the frequency conversion factor. As described above, the heat generation (or temperature rise = ΔT) affecting the life is proportional to the ESR of capacitor. In addition, the fundamental frequency is 120Hz in measurement of capacitor characteristics, and the ripple current is also specified with this frequency; it is thus more convenient to calculate by converting the current value to that with the same temperature rise at 120Hz.

The ESR of aluminum electrolytic capacitor is frequency dependent.

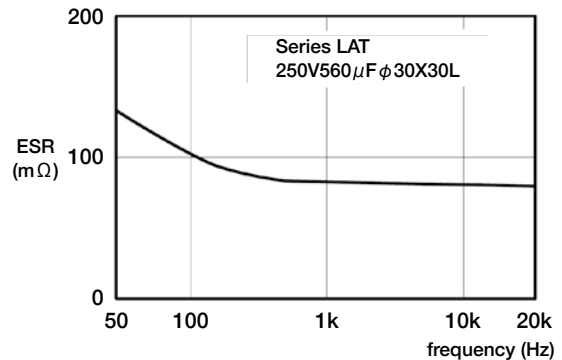


Fig.2-5 Frequency Characteristics of ESR

Figure 2-5 shows a typical example of frequency characteristics of ESR, indicating that the ESR decreases with increasing frequencies. Therefore, the high-frequency component has less effect on the heat generation of capacitor than low-frequency component.

Next, we calculate the expected life according to each condition to compare with the case with no high-frequency component.

For the case with no high-frequency component:

$$L = 2000 \times 2 \left(\frac{105-45}{10} \right)_{x4} \left[1 - \left(\frac{2.4}{1.80} \right)^2 \right] \times \frac{5}{10} \doteq 74,658 \text{ hours}$$

For the case with high-frequency component:

$$L = 2000 \times 2 \left(\frac{105-45}{10} \right)_{x4} \left[1 - \left(\frac{2.42}{1.80} \right)^2 \right] \times \frac{5}{10} \doteq 73,479 \text{ hours}$$

73,479/74,658=0.984, about a 1.6% reduction in life

$$L = 2000 \times 2 \left(\frac{105-45}{10} \right)_{x4} \left[1 - \left(\frac{2.48}{1.80} \right)^2 \right] \times \frac{5}{10} \doteq 70,822 \text{ hours}$$

70,822/74,658=0.949, about a 5.1% reduction in life

$$L = 2000 \times 2 \left(\frac{105-45}{10} \right)_{x4} \left[1 - \left(\frac{2.61}{1.80} \right)^2 \right] \times \frac{5}{10} \doteq 65,105 \text{ hours}$$

65,105/74,658=0.872, about a 12.8% reduction in life

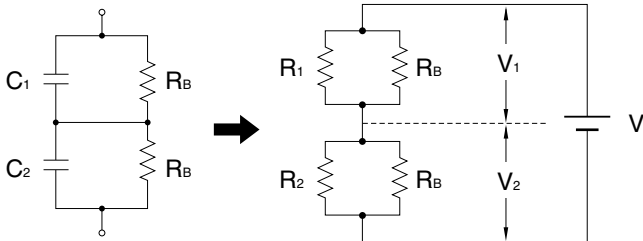
As described above, there may be cases where the effect of larger high-frequency component on the life cannot be ignored; thus high-frequency component exceeding 30% with respect to the current with fundamental frequency should be considered.

NOTE : Design, Specifications are subject to change without notice.
It is recommended that you shall obtain technical specifications from ELNA to ensure that the component is suitable for your use.

3 To calculate Balance when connecting in series

3-1 Circuit layout

Circuit for connecting two capacitors (C1, C2) in series and equivalent circuit can be illustrated as below figure. Formula to calculate a balance resistance R_B of below figure is shown as follows.



Following are the preconditions of the circuit.

- ① V_2 shall be the rated voltage ($=V_0$). ($V_1 < V_2$)
- ② V shall be a times $V_0 \times 2$. $V = 2aV_0$ ($a < 1$)
- ③ R_2 shall equal $R_1 \times b$. ($b < 1$) (1)

3-2 Formulas to calculate $[R_B]$

3-2-1 Following formula can be established from balanced condition.

$$V_1 \left[\frac{1}{R_1} + \frac{1}{R_B} \right] = V_2 \left[\frac{1}{R_2} + \frac{1}{R_B} \right] \quad (2)$$

3-2-2 Following formula can be established from preconditions.

$$V_2 \leq V_0 \quad (3)$$

$$V_1 = V - V_2 \quad (4)$$

$$= 2aV_0 - V_2 \quad (4')$$

3-2-3 Put formulas (1), (3) and (4') in formula (2).

$$(2aV_0 - V_2) \left[\frac{R_1 + R_B}{R_1 \times R_B} \right] = V_2 \left[\frac{bR_1 + R_B}{bR_1 \times R_B} \right]$$

$$2abV_0(R_1 + R_B) = V_2 \{b(R_1 + R_B) + bR_1 + R_B\}$$

$$2ab(R_1 + R_B) \leq 2bR_1 + (1+b)R_B$$

Accordingly, balance resistance R shall be the following formula.

$$R_B \leq 2bR_1 \frac{(1-a)}{(2a-1) \times b - 1} \quad (5)$$

3-3 Calculation Example

Calculate the value of the balance resistance in the case of connecting two 400V 470 μ F (LC standard value : 1.88mA) capacitors in series.

$$R_1 = \frac{400(V)}{1.88(mA)} = 213(k\Omega)$$

If $a=0.8$, $400(V) \times 2 \times 0.8 = 640(V)$ as an impressed voltage.

If $b=2$, $R_2 = b R_1 = 426(k\Omega)$, $LC = 0.94(mA)$.

Balance resistance R_B will be.

$$R_B \leq 2 \times 2 \times 213(k\Omega) \frac{(1-0.8)}{(2 \times 0.8) \times 2 - 1} = 852(k\Omega)$$

4 Regarding Recovery Voltage

• After charging and then discharging the aluminum electrolytic capacitor, and further causing short-circuit to the terminals and leave them alone, the voltage between the two terminals will rise again after some interval. Voltage caused in such case is called recovery voltage. Following is the process that causes this phenomenon :

- When the voltage is impressed on a dielectric, electrical transformation will be caused inside the dielectric due to dielectric action, and electrification will occur in positive-negative opposite to the voltage impressed on the surface of the dielectric. This phenomenon is called polarization action.
- After the voltage is impressed with this polarization action, and if the terminals are discharged till the terminal voltage reaches 0 and are left open for a while, an electric potential will arise between the two terminals and thus causes recovery voltage.
- Recovery voltage comes to a peak around 10 to 20 days after the two terminals are left open, and then gradually declines. Recovery voltage has a tendency to become bigger as the component (stand-alone base type) becomes bigger.
- If the two terminals are short-circuited after the recovery voltage is generated, a spark may scare the workers working in the assembly line, and may put low-voltage driven components (CPU, memory, etc.) in danger of being destroyed. Measures to prevent this is to discharge the accumulated electric charge with resistor of about 100 to 1k Ω before using, or ship out by making the terminals in short-circuit condition by covering them with an aluminum foil at the production stage. Please consult us for adequate procedures.

5 Electrode Foil Development Technology

5-1 Corrosion inhibition of cathode foil

Inactive treatment is implemented to ensure long life by inhibiting natural corrosion of the cathode foil. Fig. 3-1 shows its effects with values of the polarization resistance inversely proportional to the corrosion rate using the AC impedance method (FRA). This indicates that the cathode foil used in the High reliability capacitors has the polarization resistance higher than that of the conventional capacitors owing to corrosion inhibition.

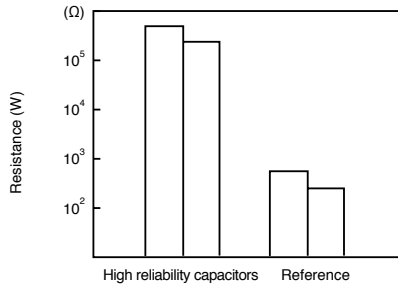


Fig. 3-1

5-2 Sealing material permeability of electrolyte

To ensure long life, a low permeable lactone solvent for the sealing material is used as the main solvent of the electrolyte of the High reliability capacitor. Fig. 3-2 shows the test results on the permeability obtained by changing the weight of the capacitors produced with different types of electrolytes at a high temperature.

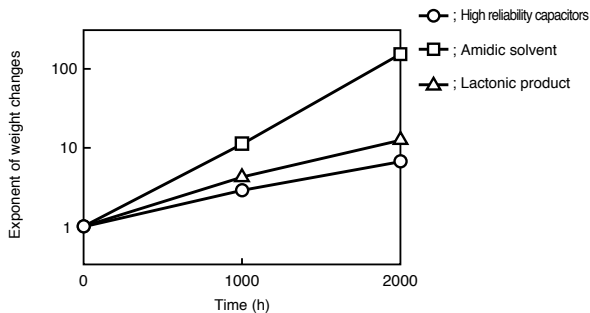


Fig. 3-2

5-3 Airtightness of sealing material

Since the electrolyte is stable for hours, the key element for capacitor's life is the sealing material. By optimizing the crosslinking density of the sealing material polymer, the sealing material of the High reliability capacitor attains its long life with electrolyte permeability less than that of the conventional capacitors.

Fig. 3-3 shows the test results on the airtightness of the sealing material obtained by changing the weight of the capacitors at a high temperature, producing capacitors with the conventional sealing material and improved one both containing the electrolyte used in the High reliability capacitor.

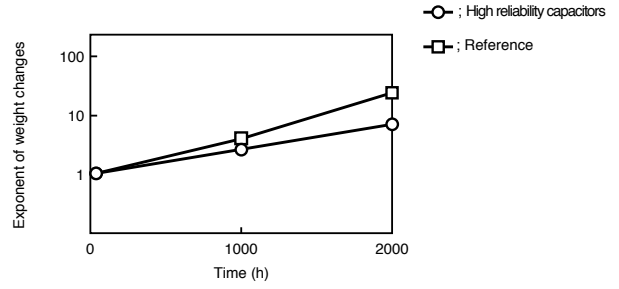


Fig. 3-3

5-4 Long-time stability of electrolyte

The electrolyte used in the High reliability capacitor is stable with low initial resistivity and small secular changes at a high temperature. Fig. 3-4 shows change in resistivity at 105°C.

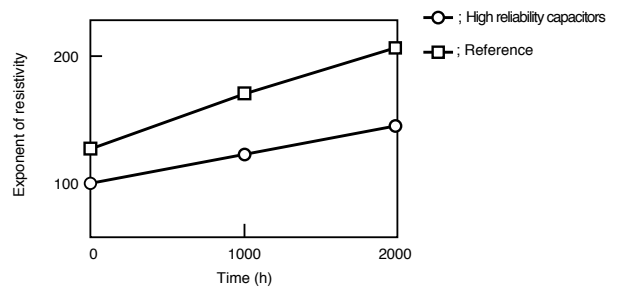


Fig. 3-4

5-5 Dielectric formation voltage and leakage current characteristics of anode foil

To increase the operating life by controlling the gas generation inside capacitor because of 1.5 to 2 times the rated voltage, while that of the previous capacitor is about 1.3 times the rated voltage.

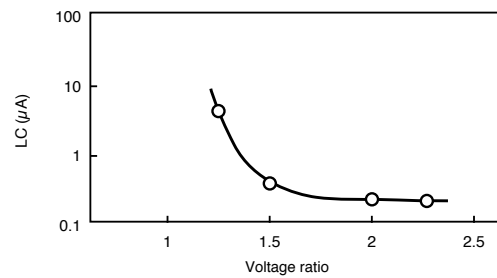


Fig. 3-5

5-6 Lowered ESR of Electrode Foil

To reduce the ESR of electrolytic capacitor, we have improved our chemical conversion technology for anode foil to develop lower ESR electrode foil compared to the conventional product as shown in Fig. 3-6

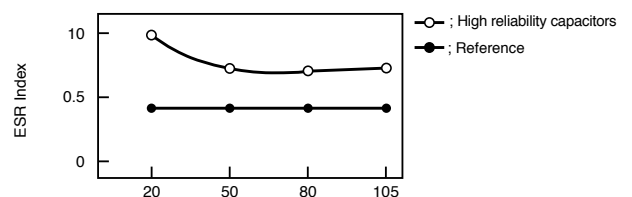


Fig. 3-6 ESR Index of Anode Foil

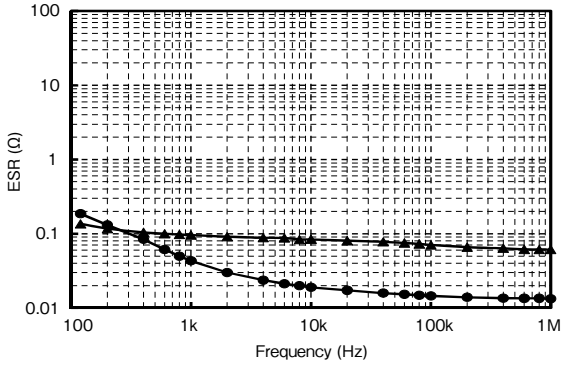
NOTE : Design, Specifications are subject to change without notice.
It is recommended that you shall obtain technical specifications from ELNA to ensure that the component is suitable for your use.

Electric Characteristics Data

1. CONDUCTIVE POLYMER HYBRID ALUMINUM ELECTROLYTIC CAPACITORS

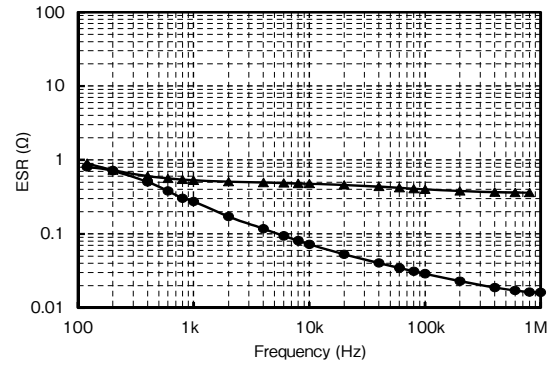
Series HV (guaranteed 105°C) Frequency characteristics at 20°C

Series	Ratings	Case size
● HV	25V330μF	φ10×10 L
▲ RVD	25V470μF	φ10×10 L



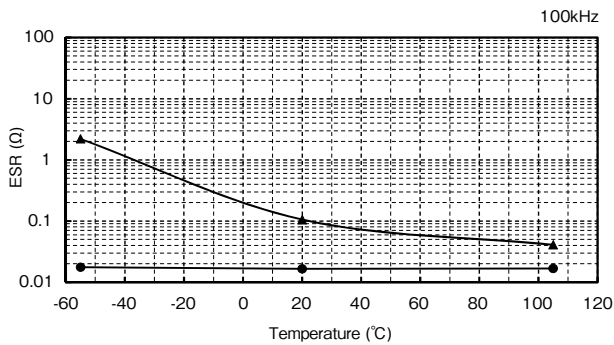
Series HVK (guaranteed 125°C) Frequency characteristics at 20°C

Series	Ratings	Case size
● HVK	25V100μF	φ6.3×7.7 L
▲ RVT	25V100μF	φ6.3×7.7 L



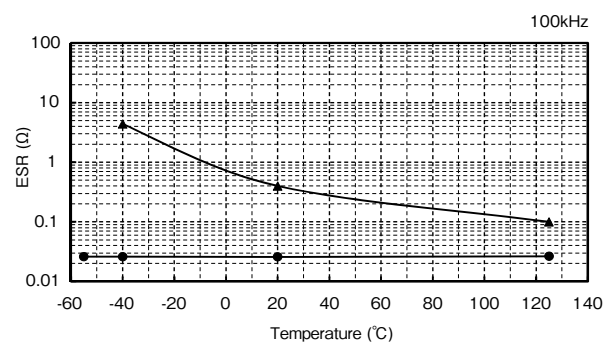
Temperature Characteristics

Series	Ratings	Case size
● HV	25V330μF	φ10×10 L
▲ RVD	25V470μF	φ10×10 L



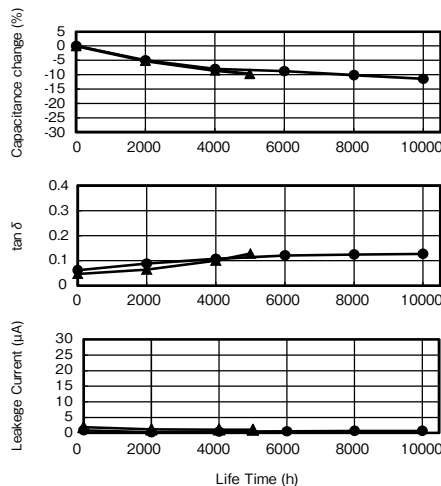
Temperature Characteristics

Series	Ratings	Case size
● HVK	25V100μF	φ6.3×7.7 L
▲ RVT	25V100μF	φ6.3×7.7 L



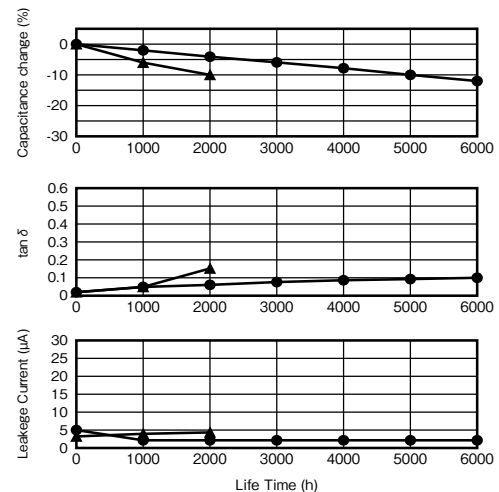
Endurance (Applied ripple current) at 105°C

Series	Ratings	Case size	Rated ripple current (100kHz)
● HV	25V220μF	φ8×10 L	2300mArms
▲ RVD	25V220μF	φ8×10 L	600mArms



Endurance (Applied ripple current) at 125°C

Series	Ratings	Case size	Rated ripple current (100kHz)
● HVK	35V270μF	φ10×10 L	2000mArms
▲ RVT	35V220μF	φ10×10 L	500mArms

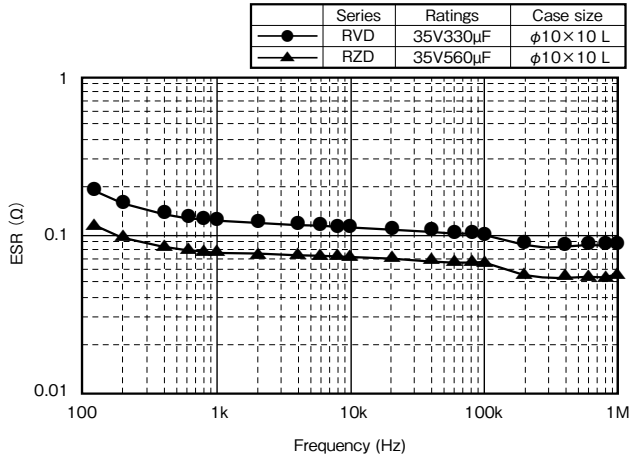


Notice : The measurement values are not guaranteed values, but measurements.

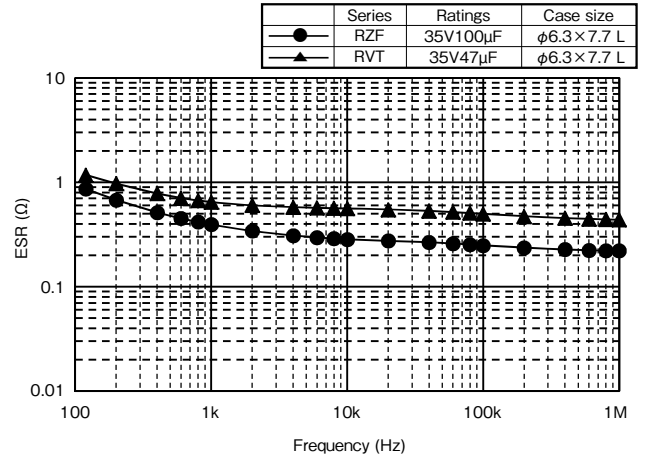
NOTE : Design, Specifications are subject to change without notice.
It is recommended that you shall obtain technical specifications from ELNA to ensure that the component is suitable for your use.

2. CHIP TYPE ALUMINUM ELECTROLYTIC CAPACITORS

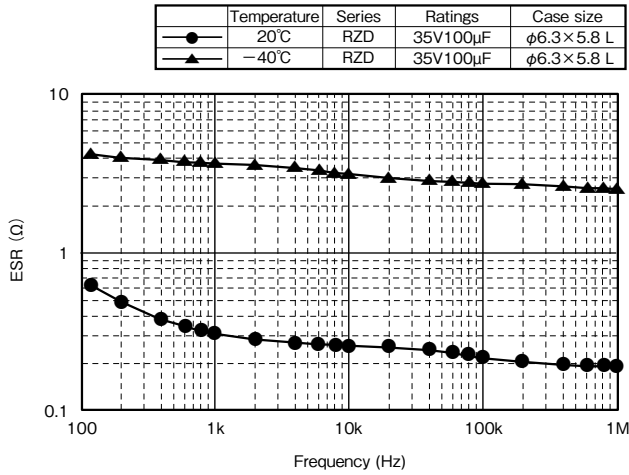
Series RZD (guaranteed 105°C) Frequency characteristics at 20°C



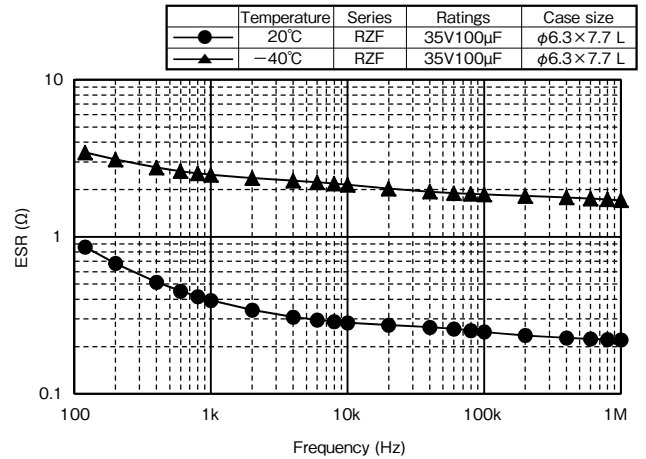
Series RZF (guaranteed 125°C) Frequency characteristics at 20°C



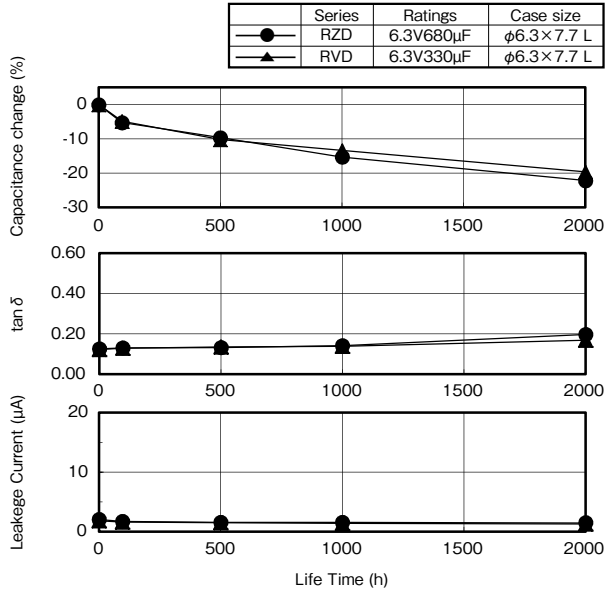
Temperature Characteristics (20°C, -40°C)



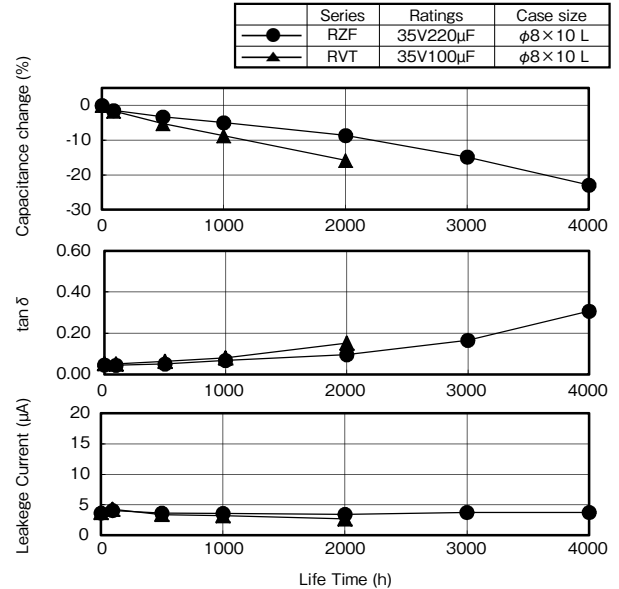
Temperature Characteristics (20°C, -40°C)



Endurance at 105°C



Endurance at 125°C



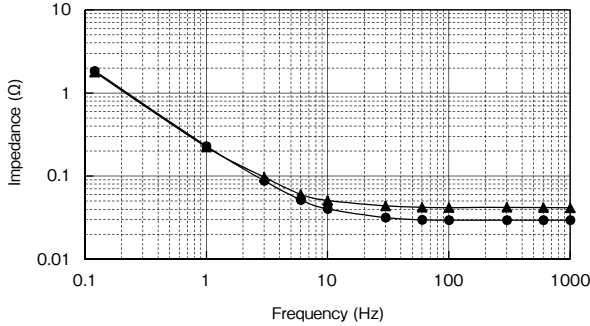
Notice : The measurement values are not guaranteed values, but measurements.

NOTE : Design, Specifications are subject to change without notice.
It is recommended that you shall obtain technical specifications from ELNA to ensure that the component is suitable for your use.

3. MINIATURE ALUMINUM ELECTROLYTIC CAPACITORS (1)

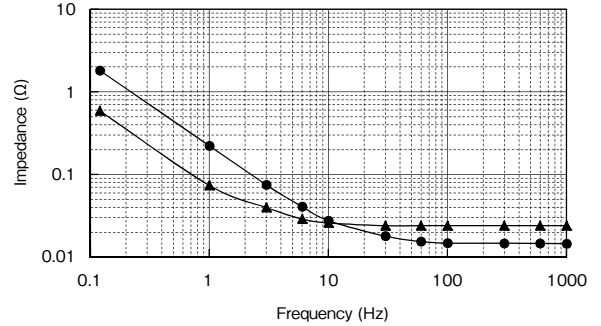
Series RJD (guaranteed 105°C) Frequency characteristics at 20°C

	Series	Rated	Case size
●	RJD	35V1000μF	φ12.5×20 L
▲	RJB	35V680μF	φ12.5×20 L



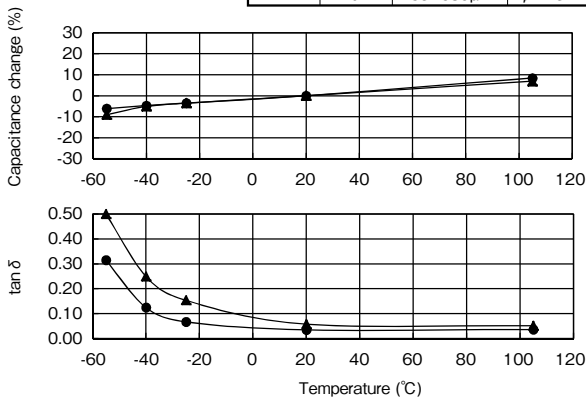
Series RJM (guaranteed 105°C) Frequency characteristics at 20°C

	Series	Rated	Case size
●	RJM	35V1000μF	φ12.5×20 L
▲	RJL	35V1000μF	φ12.5×25 L



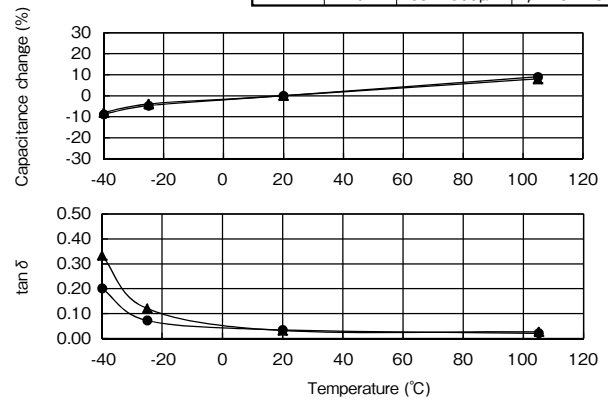
Temperature Characteristics

	Series	Rated	Case size
●	RJD	35V1000μF	φ12.5×20 L
▲	RJB	35V680μF	φ12.5×20 L



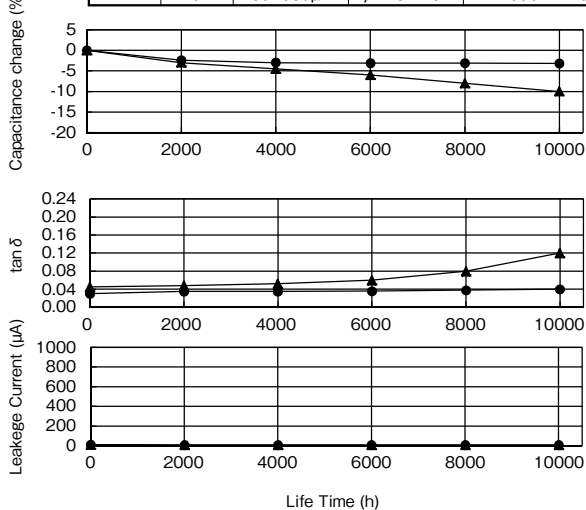
Temperature Characteristics

	Series	Rated	Case size
●	RJM	35V1000μF	φ12.5×20 L
▲	RJL	35V1000μF	φ12.5×25 L



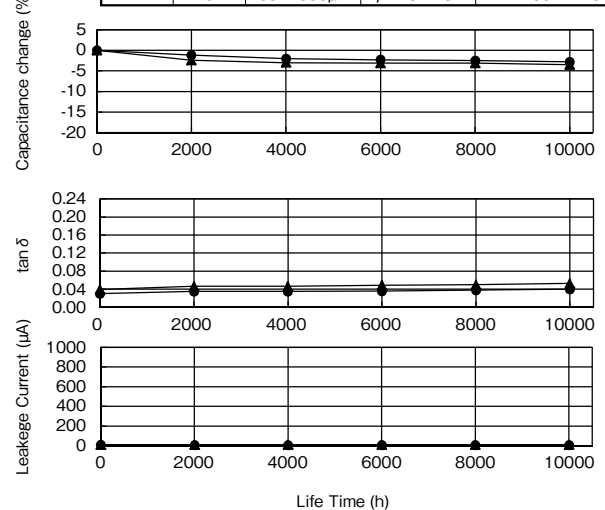
Endurance (Applied ripple current) at 105°C

	Series	Rated	Case size	Rated ripple current (100kHz)
●	RJD	35V1000μF	φ12.5×20 L	1700mArms
▲	RJB	35V680μF	φ12.5×20 L	1690mArms



Endurance (Applied ripple current) at 105°C

	Series	Rated	Case size	Rated ripple current (100kHz)
●	RJM	35V1000μF	φ12.5×20 L	2600mArms
▲	RJL	35V1000μF	φ12.5×25 L	2230mArms



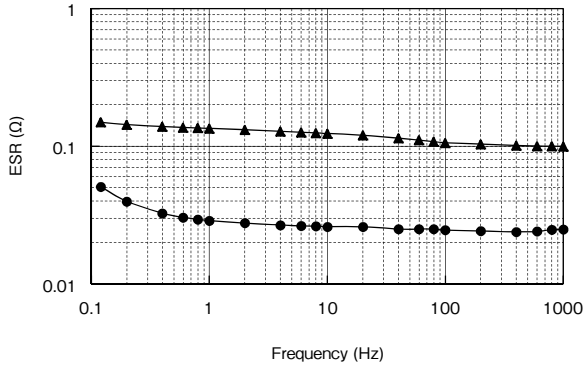
Notice : The measurement values are not guaranteed values, but measurements.

NOTE : Design, Specifications are subject to change without notice.
It is recommended that you shall obtain technical specifications from ELNA to ensure that the component is suitable for your use.

4. MINIATURE ALUMINUM ELECTROLYTIC CAPACITORS (2)

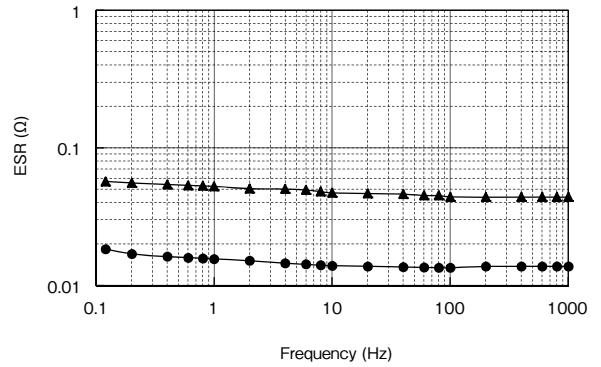
Series RKD (guaranteed 125°C) Frequency characteristics at 20°C

Temperature	Series	Rated	Case size
20°C	RKD	35V1000μF	φ12.5×25 L
-40°C	RKD	35V1000μF	φ12.5×25 L



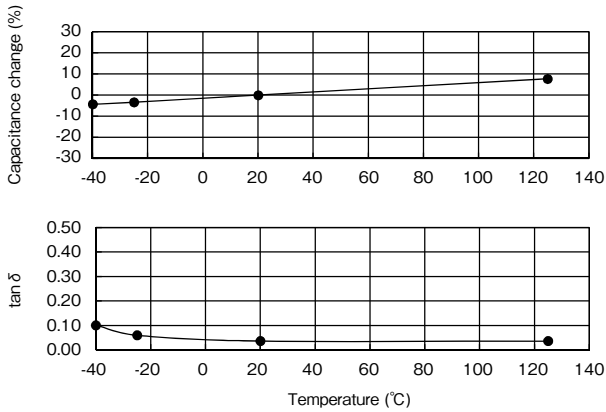
Series RKC (guaranteed 135°C) Frequency characteristics at 20°C

Temperature	Series	Rated	Case size
20°C	RKC	35V6200μF	φ18×35.5 L
-40°C	RKC	35V6200μF	φ18×35.5 L



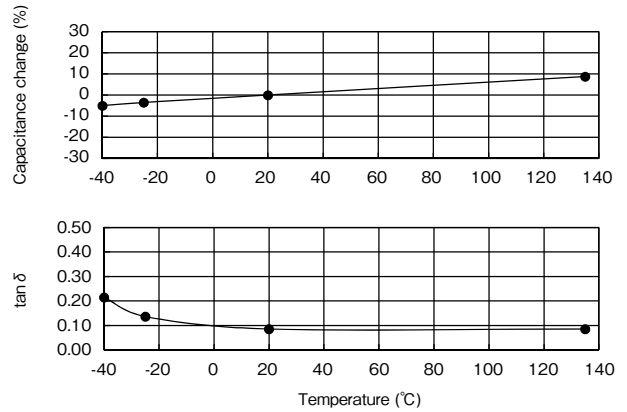
Temperature Characteristics

Series	Rated	Case size
RKD	35V1000μF	φ12.5×25 L



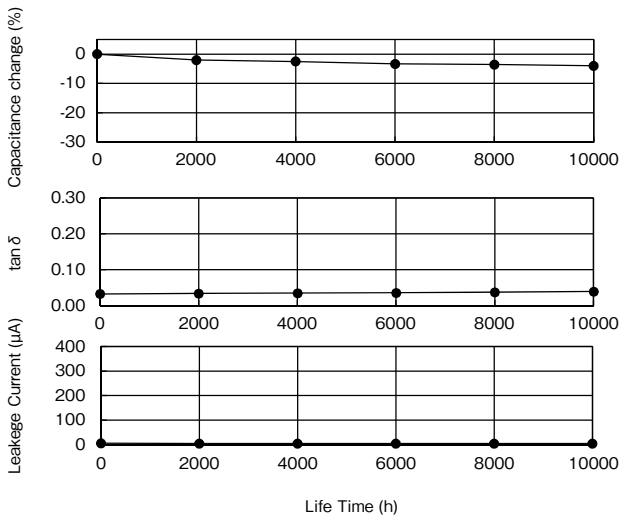
Temperature Characteristics

Series	Rated	Case size
RKC	35V6200μF	φ18×35.5 L



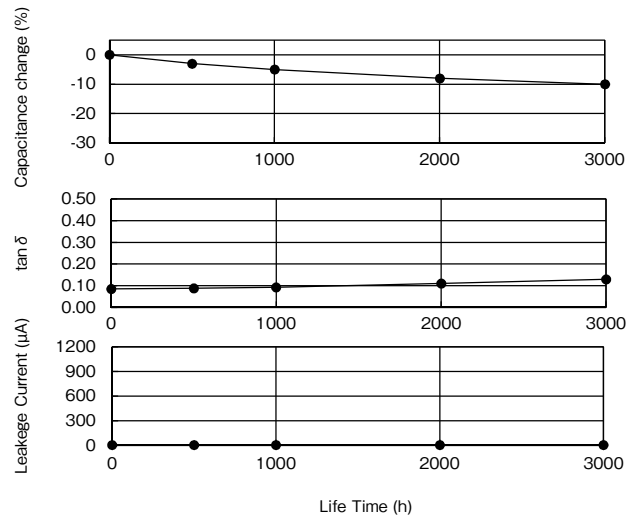
Endurance (Applied ripple current) at 125°C

Series	Rated	Case size	Rated ripple current (100kHz)
RKD	35V1000μF	φ12.5×25 L	2400mArms



Endurance (Applied ripple current) at 135°C

Series	Rated	Case size	Rated ripple current (100kHz)
RKC	35V6200μF	φ18×35.5 L	3750mArms

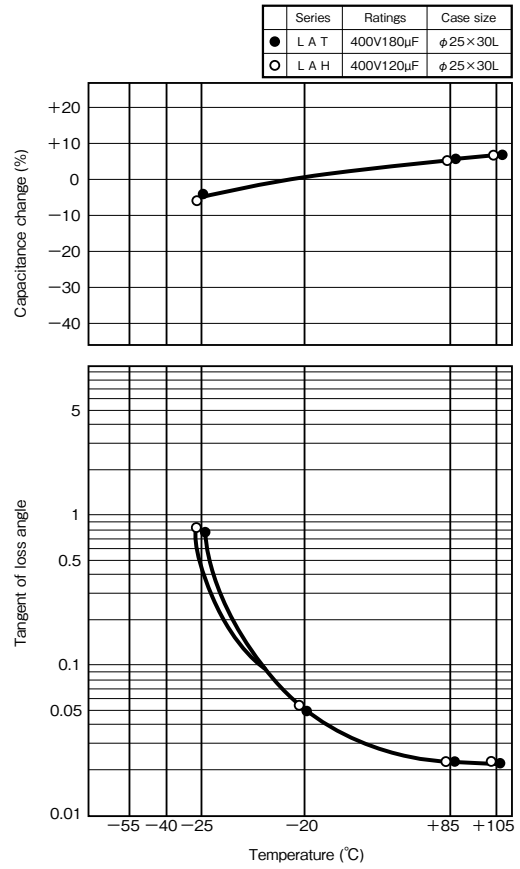
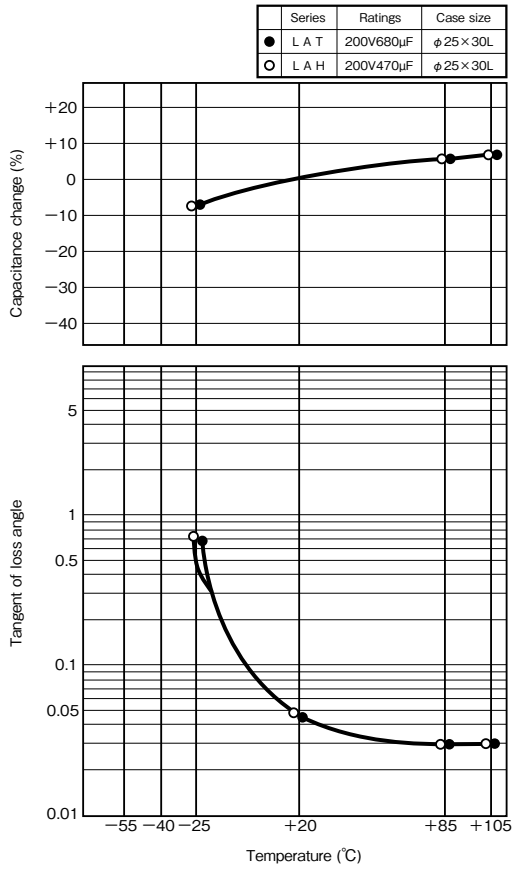


Notice : The measurement values are not guaranteed values, but measurements.

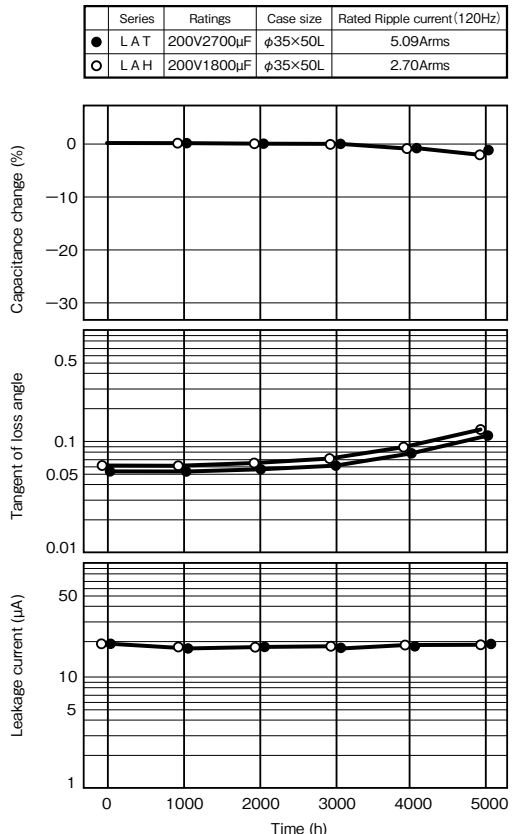
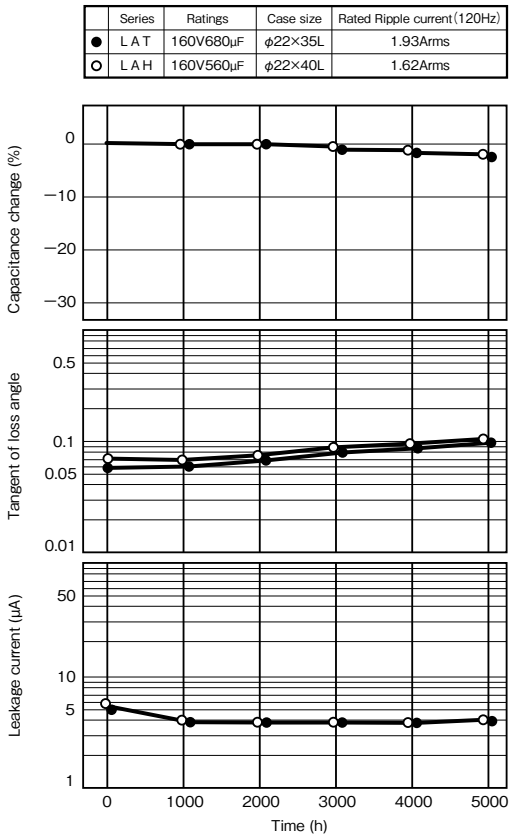
NOTE : Design, Specifications are subject to change without notice.
It is recommended that you shall obtain technical specifications from ELNA to ensure that the component is suitable for your use.

5. LARGE CAPACITANCE ALUMINUM ELECTROLYTIC CAPACITORS

Temperature characteristics, Series LAT · LAH



Endurance (Applied ripple current) at 105°C of Series LAT · LAH



Notice : The measurement values are not guaranteed values, but measurements.

NOTE : Design, Specifications are subject to change without notice.
It is recommended that you shall obtain technical specifications from ELNA to ensure that the component is suitable for your use.

Electric Double Layer capacitors “DYNACAP”

■ Type List for DYNACAP

★ : New series
☆ : Upgrade

Category	Series	Category temp. range °C		Max.operating voltage V.DC	Capacitance range F	Color of sleeve	Applications	Remarks
		Max.	Min.					
For memory backup	Reflow soldering type	DVN	+ 70	- 25	5.5	0.047 to 0.33	Brown	Ideal for industrial, smart meter, backing up of RTC's for surveillance camera, momentary power assistance of a battery etc.
	Reflow soldering type	DVL	+ 85	- 40	5.5	0.047 to 0.22	Brown	
	Reflow soldering type	DVS	+ 85	- 25	3.6	0.047 to 0.33	Brown	
	Standard type	DB	+ 70	- 25	5.5	0.047 to 1.5	Indigo	Ideal for backing up of CMOS's, IC's of camera, microcomputers, RAM's, RTC's and the like used in audio, general electronic device, and others.
	Low profile Low ESR type	DBN	+ 70	- 25	5.5	0.047 to 1.5	Indigo	
	Low profile High temperature type	DBJ	+ 85	- 10	5.5	0.047 to 1	Black	
	Low profile Low ESR High temperature	DBS	+ 85	- 25	3.6	0.047 to 1	Black	
	Miniaturized Standard type	DX	+ 70	- 25	5.5	0.047 to 1.5	Indigo	
	Miniaturized Low ESR type	DXN	+ 70	- 25	5.5	0.047 to 1.5	Indigo	
	Miniaturized High temperature type	DXJ	+ 85	- 10	5.5	0.047 to 1	Black	Ideal for backing up of CMOS's, IC's of camera, microcomputers, RAM's, RTC's and the like used in audio, general electronic device, and others.
	Miniaturized Low ESR High temperature type	DXS	+ 85	- 25	3.6	0.047 to 1	Black	
	High temperature type	DH	+ 85	- 25	5.5	0.047 to 1	Indigo	
	Wide temperature range type	DHL	+ 85	- 40	5.5	0.047 to 1	Indigo	Ideal for backing up of CMOS IC's, microcomputers, RAM's, RTC's for smart meter, outdoor equipment, auto motive and industrial.
	High temperature long life type	DHC	+ 85	- 25	5.5	0.047 to 1	Black	
Reflow soldering Coin type	DS (614)	+ 70	- 25	2.5	0.2	Silver	Mountable on board with best suited for mainly memory and time functions as well as memory backup for PDA and DSC.	
	DSK (614)	+ 60	- 10	3.3	0.2			
	DS (621)	+ 70	- 25	2.5	0.33			
	DSK (621)	+ 60	- 10	3.3	0.33			
For power	Standard type	DZ	+ 70	- 25	2.5 / 2.7	1 to 200	Black	Ideal for power supplies of LED displays, personal wireless items, backup for power supplies, and the storage battery of solar battery.
	Large capacitance type	DZH	+ 60	- 25	2.5	22 to 300	Black	
	High power type	DZN	+ 70	- 25	2.5 / 2.7	1 to 200	Blue	Ideal for actuator of moters and electromagnetic coil drives.
	High power Low temperature type	DDU	+ 70	- 40	2.7	1 to 50	Brown	Ideal for actuator of moters and electromagnetic coil drives. ★
	High power High voltage tolerance Low temperature type	DUK	+ 65	- 40	3.0	1 to 15	Brown	Ideal for actuator of moters and electromagnetic coil drives.
	Packed type	DZP	+ 70	- 25	5.0	0.47 to 4.7	Blue	Ideal for power supplies of LED displays, personal wireless items, backup for power supplies, and the storage battery of solar battery.

● Some of the series listed in the below table have been removed from the catalogue. Please select from the new series for a designing your (new) application.

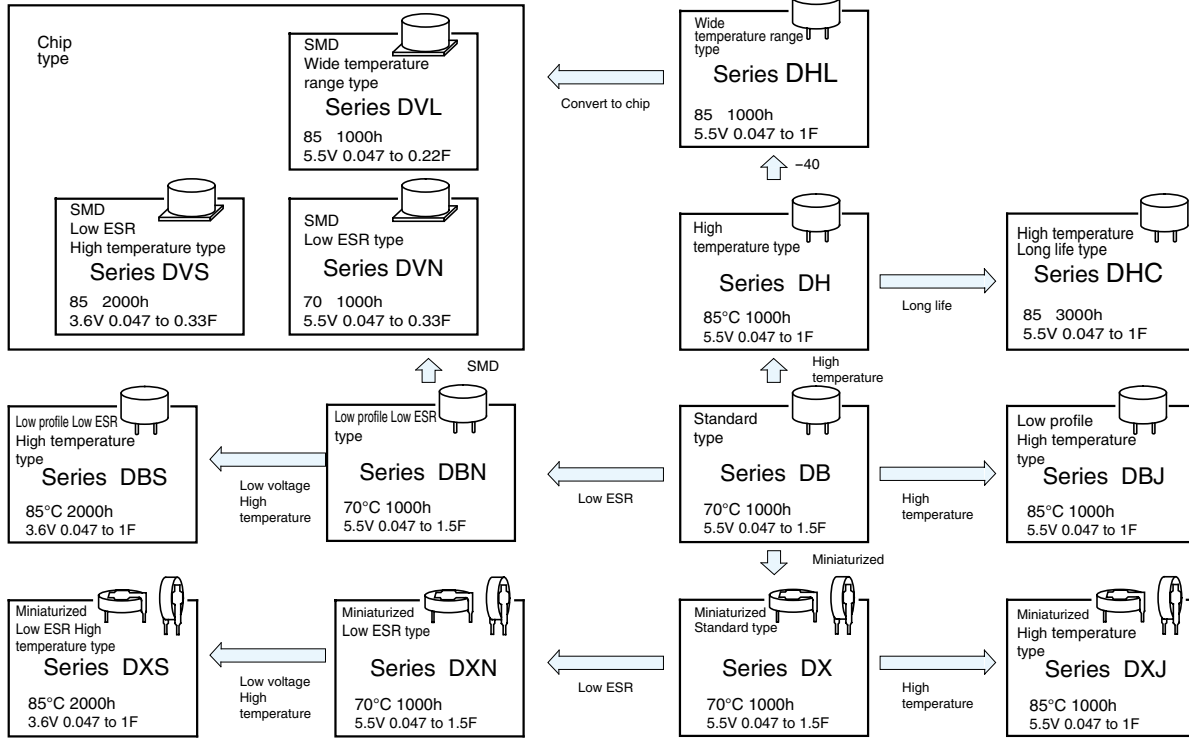
Category	Series	Category temp. range °C		Max.operating voltage V.DC	Capacitance range F	Color of sleeve	Applications	Substitute series to recommend	
		Max.	Min.						
For memory backup	Coin type	DC (614)	+ 70	- 25	2.5	0.2	Ideal for backing up of pager, solar watches, solar calculators, solar remote control units, camaras and the like.	—	
		DCK (614)	+ 60	- 10	3.3	0.2 to 0.22		—	
		DC (621)	+ 70	- 25	2.5	0.22 to 0.33		—	
		DCK (621)	+ 60	- 10	3.3	0.22 to 0.4		—	
	Reflow soldering Coin type	DSK (414)	+ 70	- 10	3.3	0.07 to 0.08	Mountable on board with best suited for mainly memory and time functions as well as memory backup for PDA and DSC.	—	
For power	High power Low temperature type	DU	+ 65	- 40	2.7	1 to 50	Brown	Ideal for actuator of moters and electromagnetic coil drives.	DDU

NOTE : Design, Specifications are subject to change without notice. It is recommended that you shall obtain technical specifications from ELNA to ensure that the component is suitable for your use.

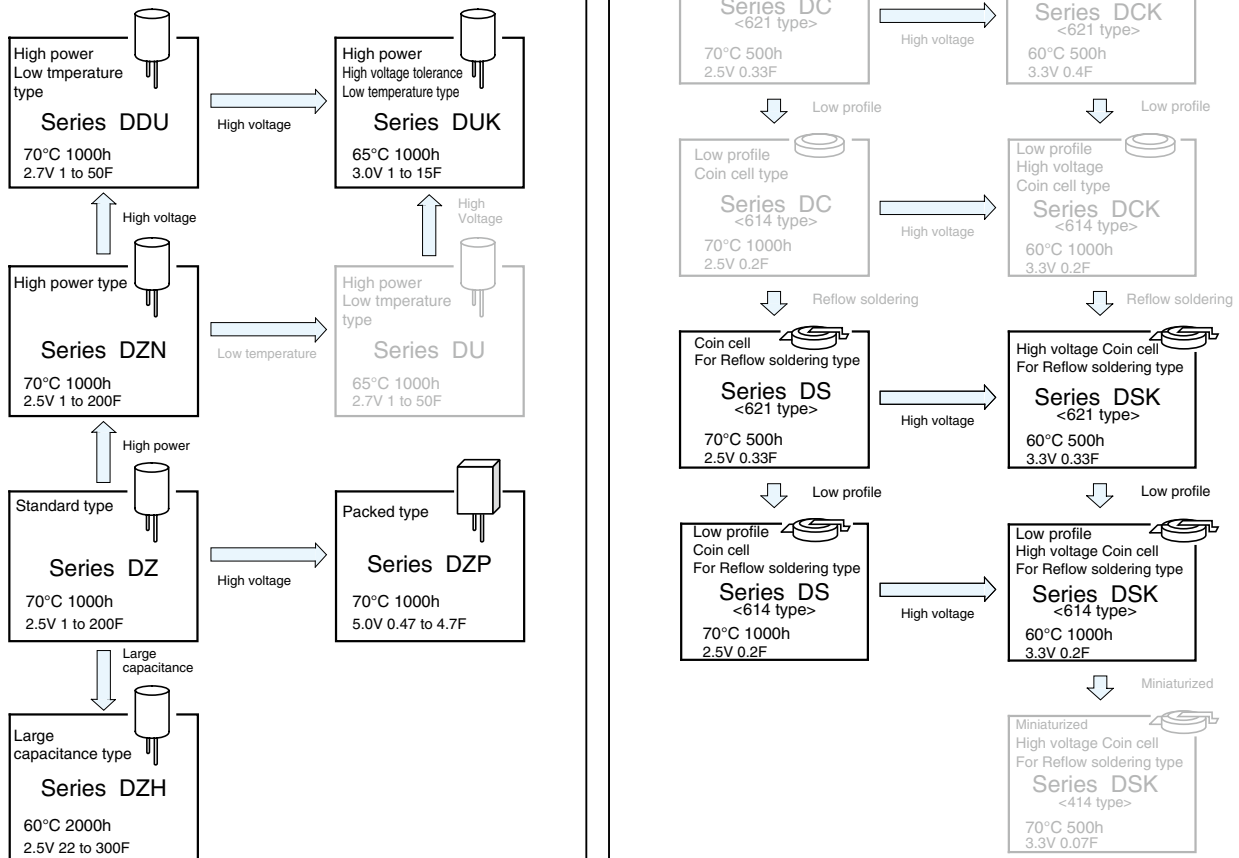
Systematized Classification of Electric Double Layer Capacitors

DYNACAP "POWERCAP"

For memory backup

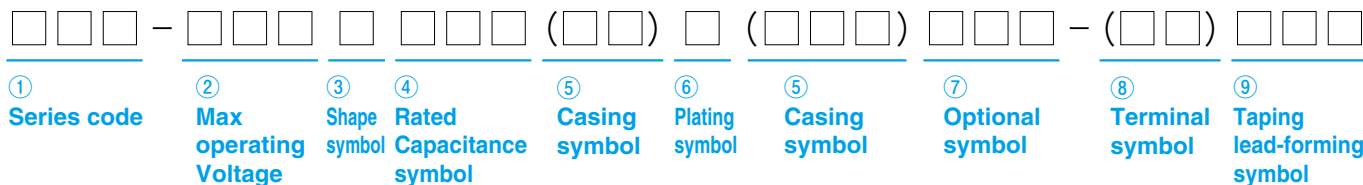


For power & energy



NOTE : Design, Specifications are subject to change without notice. It is recommended that you shall obtain technical specifications from ELNA to ensure that the component is suitable for your use.

■ **Product Symbol System for Electric Double Layer Capacitors**



① **Series code**

Please refer to the page of each series.

② **Max operating voltage symbol**

Example

Max.operating voltage (V)	Voltage symbol
2.5	2R5
2.7	2R7
3.0	3
3.3	3R3
3.6	3R6
5.0	5
5.5	5R5
6.3	6R3

③ **Shape symbol**

Please refer to the page of each series.

④ **Rated capacitance symbol**

Example

Capacitance (F)	Capacitance symbol	Capacitance (F)	Capacitance symbol
0.047	473	10	106
0.07	703	15	156
0.1	104	20	206
0.2	204	22	226
0.22	224	25	256
0.33	334	30	306
0.4	404	33	336
0.47	474	40	406
0.68	684	50	506
0.9	904	100	107
1	105	200	207
1.5	155	300	307
2.7	275		
3.3	335		
4.7	475		
5.6	565		
6.8	685		

⑤ **Casing symbol**

Please refer to the page of each series.

⑥ **Plating symbol**

Example

Symbol	Contents
U	Sn 100% plating or Sn+Cu plating
T	Sn 100% plating

⑦ **Optional symbol**

Example (For Automotive)

Symbol	Contents
Q	Based on AEC-Q200
M	Based on AEC-Q200

⑧ **Terminal symbol**

Please refer to the page of each series.

⑨ **Taping, Lead-forming symbol**

Please refer to the lead forming and taping page.
 When taping or lead-forming is not necessary, leave the boxes blank.

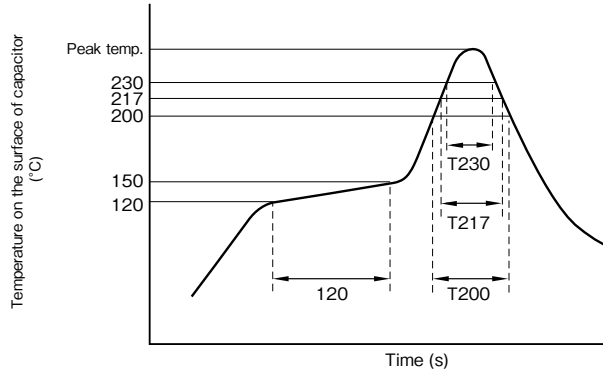
NOTE : Design, Specifications are subject to change without notice.
 It is recommended that you shall obtain technical specifications from ELNA to ensure that the component is suitable for your use.

Recommended soldering conditions (Lead Free)

- Series DS, DSK, DVN, DVL, DVS

Reflow soldering conditions.

Profile



1. Preheating shall be under 150°C within 120 seconds.
2. Peak temperature shall be within the following table.
3. For conditions exceeding the tolerances, consult with us.

T200 : Duration while capacitor head temperature exceeds 200°C (s).

T217 : Duration while capacitor head temperature exceeds 217°C (s).

T230 : Duration while capacitor head temperature exceeds 230°C (s).

The measurement temperature point is the case top.

Series	Size	Peak temp. (5sec or less)	T230	T217	T200	Reflow cycle
DS DSK	φ6.8	250°C Max.	20sec. max.	30sec. max.	40sec. max.	2 times or less
DVN DVL DVS	φ12.5	260°C Max.	20sec. max.	30sec. max.	50sec. max.	2 times or less

Attention : Carry out soldering work at low temperature and in the shortest time within above conditions.

Do NOT reflow solder, when cell voltage is above 0.5V.

* Please consult with us about reflow soldering conditions other than the above.

Recommended soldering conditions (Lead free)

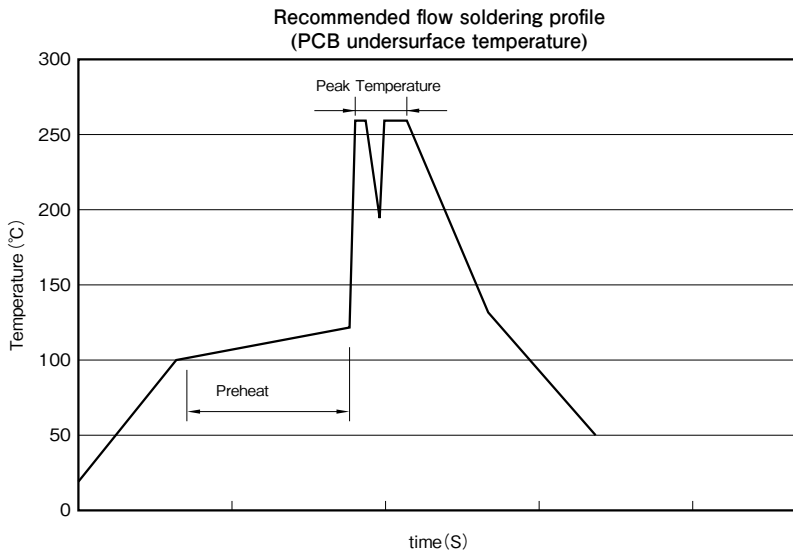
● Electric Double Layer capacitors

(1) Soldering iron conditions

Iron tip temperature should be $400^{\circ}\text{C} \pm 5^{\circ}\text{C}$ within the duration of 4 seconds.

(2) Flow soldering conditions

The recommendation soldering conditions of the product in which flow soldering is possible are as graph.

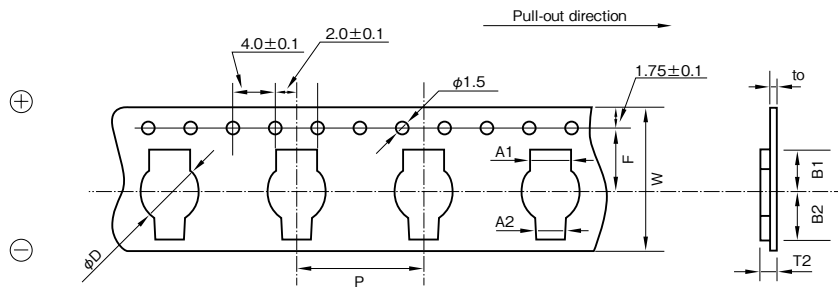


Type	Series	Size	Preheat		Peak	
			Temperature	Time	Temperature	Time
Coin cell	DB,DBN,DBJ DBS,DX,DXN DXJ,DXS,DH DHL,DHC	ϕ 11.5 to ϕ 21.5	100 to 110°C	30sec. max.	260°C Max	5sec. max.
Cylindrical cell	DZ,DZH,DZN DDU,DUK,DZP	ϕ 6.3 to ϕ 35	100 to 130°C	30 to 60sec.	$260^{\circ}\text{C} \pm 5^{\circ}\text{C}$	10sec. max.

Cautions when soldering

- (1) Do not dip the capacitor into melted solder.
- (2) Do not flux other part than the terminals.
- (3) If there is a direct contact between the sleeve of the capacitor and the printed circuit pattern or a metal part of another component such as a lead wire, it may cause shrinkage or crack.
- (4) If it is a coin type, please manage so that main part temperature including preheating does not exceed 90°C .
- (5) Please refer to cautions for using and the specification about other notes.

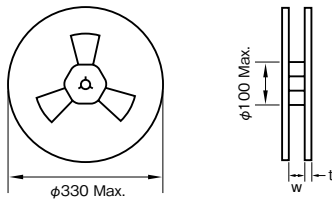
Carrier tape dimensions (Series DS, DSK) polarity L



(Unit : mm)

Outside size	W	P	F	A1	A2	B1	B2	T2	to	φD
φ6.8×1.4 to 2.1L	24±0.2	12.0	11.5	4.4	3.4	5.9	6.5	3.2	0.3	6.9

Reel dimensions



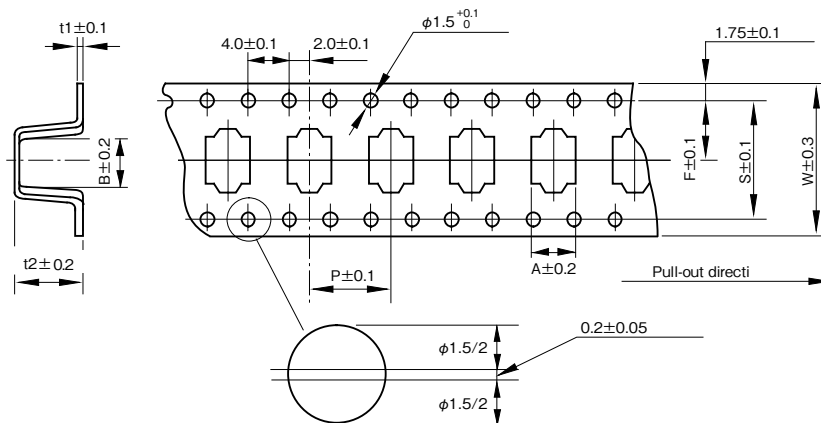
(Unit : mm)

Outside size	W	t
φ6.8×1.4 to 2.1L	26	3

Packing quantity

Outside size	Quantity
φ6.8×2.1L	1500PCS.
φ6.8×1.4L	1500PCS. to 2000PCS.

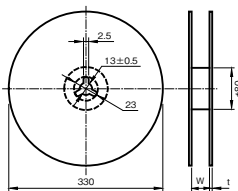
Carrier tape dimensions (Series DVN, DVL, DVS) polarity R



(Unit : mm)

Outside size	W	A	B	P	t2	F	t1	S
φ12.5×10.5L	32	13.4	13.4	24	11	14.2	0.5	28.4
φ12.5× 8.5L	32	13.4	13.4	24	9.5	14.2	0.5	28.4

Reel dimensions



(Unit : mm)

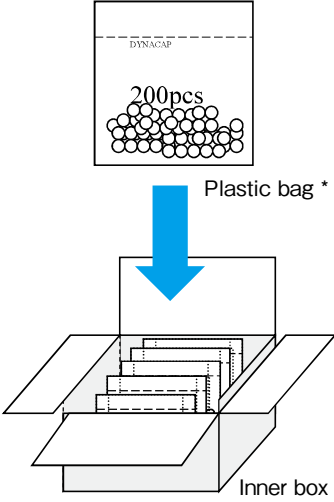
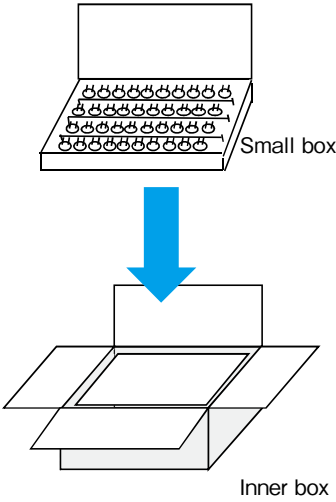
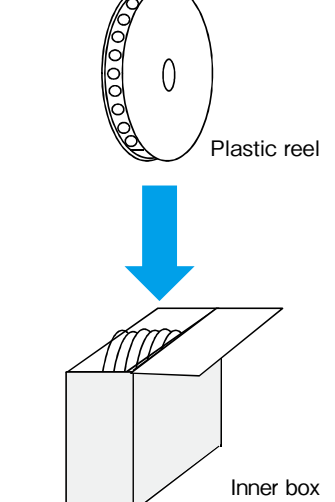
Outside size	W	t
φ12.5×10.5L	34	3
φ12.5× 8.5L	34	3

Packing quantity

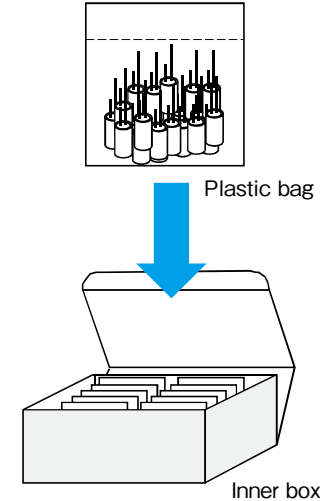
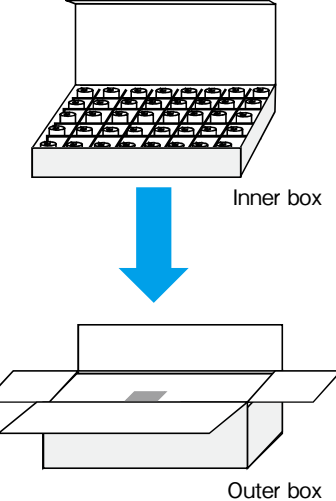
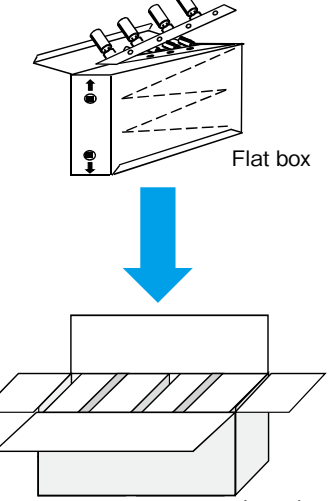
Outside size	Quantity
φ12.5×10.5L	250pcs.
φ12.5× 8.5L	300pcs.

NOTE : Design, Specifications are subject to change without notice.
It is recommended that you shall obtain technical specifications from ELNA to ensure that the component is suitable for your use.

Standard packing specification of Coin cell type

Series	<ul style="list-style-type: none"> • DX, DXJ, DXN, DXS • DB, DBN, DBJ, DBS, DH, DHL, DHC ($\phi 13.5$) 	<ul style="list-style-type: none"> • DB, DBN, DBJ, DBS, DH, DHL, DHC ($\phi 21.5$) 	<ul style="list-style-type: none"> • DS, DSK (614, 621) • DVN, DVL, DVS
Packing style	 <p>Plastic bag *</p> <p>Inner box</p>	 <p>Small box</p> <p>Inner box</p>	 <p>Plastic reel</p> <p>Inner box</p>

Standard packing specification of Cylindrical cell type

Series	<ul style="list-style-type: none"> • DDU, DUK, DZ, DZN, DZH ($\phi 6.3$ to $\phi 18$) • DZP 	<ul style="list-style-type: none"> • DZ, DZN, DZH ($\phi 22$ or more) 	<ul style="list-style-type: none"> • DDU, DUK, DZ, DZN, DZH ($\phi 6.3$ to $\phi 12.5$) Taping
Packing style	 <p>Plastic bag</p> <p>Inner box</p>	 <p>Inner box</p> <p>Outer box</p>	 <p>Flat box</p> <p>Inner box</p> <p>Taping type's box size : refer to specification of aluminum electrolytic capacitors.</p>

Please inquire for details.

Cautions for Using Electric Double Layer Capacitors (DYNACAP)

■ Usage

1. Electric double layer capacitors (EDLC) use a conductive organic electrolyte.

The use at excessive mounting temperature or exceeding the upper category temperature can cause the electrolyte to leak. Especially, coin and multilayer coin types for the memory backup excluding the DZ, DZH, DZN, DDU, DUK, DZP series use a low elastic plastic as the sealant in the cell construction like coin batteries; therefore, avoid using such capacitors in the Vicinity of automotive equipment with steep temperature change, and heating element such as motor, relay, transformer, power IC, etc. because of the risk of leakage of electrolyte.

2. Since EDLC is polarized, do not apply a reversed voltage.

EDLC is polarized. If a reversed voltage is applied for a long time, the leakage current will increase abruptly, which may cause a decrease in the capacity, an increase in the internal resistance, and causing leakage or damage to the product in some cases.

3. Do not apply any voltage higher than the Max. operating voltage (this means the surge voltage in the case of short-time charge).

If an overvoltage is applied to the product, the leakage current will increase abruptly and the product will become overheated, which may cause a decrease in the capacity, an increase in the internal resistance, and causing leakage or damage to the product in some cases.

4. Do not use smoothing a power supply (for absorbing its ripple).

Since the internal resistance of EDLC is high, the product will be overheated if it is used for smoothing a power supply (for absorbing its ripple), which may cause a decrease in the capacity, an increase in the internal resistance, and causing leakage or damage to the product in some cases .

5. Do not use in a circuit where quick charge and discharge are repeated Very often.

In a circuit where quick charge and discharge are repeated very often , the product will become overheated, which may cause a decrease in the capacity, an increase in the internal resistance, and causing leakage or damage to the product in some cases.

Reduce the charge and discharge currents while selecting a product with low internal resistance, and make sure that the product surface temperature does not rise.

6. EDLC life depends heavily on the ambient temperature.

①The lifetime of EDLC is seriously affected by change in ambient temperature. If the temperature is lowered by 10°C, the lifetime will be approximately doubled. Therefore, the product should be used at a temperature lower than the guaranteed maximum value for maximum life.

②If the capacitor is used at a temperature exceeding its maximum guaranteed temperature, not only is its life shortened, but increased vapor pressure of electrolyte or electrochemical reactions may increase the internal pressure, and causing leakage or damage to the product in some cases.

7. Do not use the product in an ambient atmosphere containing waterdrops (condensation) or toxic gases.

Although EDLC is sealed, water droplets or toxic gases may do degradation characteristics, a leakage and corrode the lead wires and the case, which may cause a breaking of the wires.

Avoid abrupt temperature changes, which may cause water droplets, resulting in product deterioration and electrolyte leakage.

8. Contact us before connecting the products in series.

A series connection will cause imbalance in the voltage, charged to the capacitors and an overvoltage may be charged to one or more them. This may cause a decrease in the capacity, an increase in the internal resistance and causing leakage or damage to the product in some cases. When using series connection for several capacitors, please derate the applied voltage from the Max. operating voltage or use balancing circuits (bleeder resistor, etc.) to compensate for the imbalance in the applied voltage for each capacitor. Moreover, please ensure the arrangement does not cause temperature fluctuation between capacitors.

9.About vibration.

A terminal blank, a terminal bend, and a crease may occur by adding too much vibration to a capacitor.

Moreover, depending on the case, an EDLC may do degradation of the characteristic, breakage, and a leakage.

When you become too much vibration, please contact us.

10.When used on a double sided printed circuit board, do not overlap the wiring patterns on the mounted part.

A short circuit may be created by certain wiring conditions. Should the electrolyte leaks, the circuit pattern may cause a short circuit, resulting in tracking or migration.

11.Do not keep In high temperature and high humidity atmospheres.

①Avoid high temperature or high humidity or direct rays when storing capacitors.

② Keep the product in a place where the temperature is 5°C to 30°C and the humidity is lower than 60%. Avoid an abrupt temperature change, which may cause condensation or deterioration of the product or liquid leakage. (Recommended storage term: 1year or less after delivery)

③ Do not store EDLC at a place where there is a possibility that they may get water, salt or oil spill.

④ Do not store EDLC at place where the air contains dense hazardous gas (hydrogen sulfide, sulfuric acid, nitrous acid, chlorine ammonia, etc.).

⑤ Fumigation treatment with toxic gas covering the whole wooden container frames as moth proofing during shipment may leave residual toxic gas.

⑥ Do not store EDLC at a place where it gets ultraviolet ray or radioactive ray.

12. Capacitors fitted with a relief valve

① The relief valve is provided with a valve function with part of the case made thin to avoid explosion by increased internal pressure when the capacitor is under abnormal load such as overvoltage or reverse voltage. After activation of the relief valve, the capacitor must be replaced as it does not restore.

② For the capacitors with a case relief valve (series DZ, DZH, DZN, DDU, DUK, DZP), provide a void on the top of the relief valve so as not to hamper its activation. Make a void of 2 mm or more for the product of $\phi 18$ or less in diameter, and a void of 3 mm or more for the product of $\phi 20$ to $\phi 35$ mm in diameter on the top.

13. Use at a high altitude

The use of capacitors at high altitudes such as on an airplane causes a large difference between the internal pressure of the capacitors and the atmospheric pressure.

However, there is no problem in use under atmospheric pressure up to about an altitude of 10,000 meters.

If the condition is severe like space, please contact us.

■ Mounting

1. Do not overheat when soldered.

Depending on the type and size of the board, the product may be subjected to overheat, leading to loss of airtightness. This may greatly shorten the product life or cause liquid leakage.

In case of a 1.6mm-thick and single side printed board, for example, keep the following soldering conditions: temperature lower than 260°C, time within 5 seconds (coin type), 10 seconds (Cylindrical type).

When a board thinner than 1.6 mm or multi-layer printed board is used, contact us.

In the case of hand soldering, the iron tip temperature is lower than 400°C, time is shorter than 4 seconds.

The coin types and multilayer coin types excluding the DZ and reflow-compatible coin types use polypropylene as the packing material for sealing and therefore susceptible to excessive heat. Note that the component body temperature shall be controlled so as not to exceed 90°C including preheating.

2. When soldering the capacitor to the wiring board, do not attach the body of the capacitor to the circuit board.

If the body of the capacitor is attached directly to the circuit board, the flux or solder can blow through the through holes in the circuit board, negatively impacting the capacitor.

Moreover, the heat influence at the time of soldering can be reduced by floating the body.

3. Contact us when cleaning is necessary after soldering.

Certain types of solvents are not compatible and may cause damage.

4. Contact us when the product is attached by adhesive bonding.

Certain types of adhesives are not compatible.

Paste bond partially between the product and the board so that the product will not adhere completely to the board.

Do not raise the temperature over the guaranteed value while the bond is hardening.

5. Heating conditions of adhesive curing oven

During heating of the adhesive curing oven, application of excessive heat may significantly shorten the product life or cause liquid leakage. Control the body temperature so as not to exceed 90°C during work while setting the allowable atmospheric temperature below 110°C, and allowable heating time within 30 seconds.

For the heating conditions deviating from the above, consult with us providing your temperature profile conditions.

6. Be careful not to apply an excessive force to the capacitor body, terminals or lead wires.

① Mount the capacitor while making sure that the terminal spacing of the capacitor and the spacing of the holes in the printed wiring board are aligned.

② If the capacitor body is subjected to stress such as grabbing, falling, bend, pushing or twisting after mounted, its terminals may come off, leading to open, short or liquid leakage.

■ Other cautions

1. Emergency procedures

If the EDLC overheats or starts to smell, immediately switch off the units main power supply to stop operation.

Keep your face and hands away from the EDLC, since the temperature may be high enough to cause the EDLC to ignite and burn.

2. Periodical inspections should be established for the EDLC used in industrial appliances.

The following items should be checked:

① Appearance : Check if there is leakage.

② Electronic performance : Check the leakage current, the electrostatic, the internal resistance and other items described in the catalog or the product specifications.

3. Disposing of EDLC

① Punch a hole or crush the EDLC (to prevent explosion) before incineration at approved facility.

② If they are not to be incinerated, bring them to a professional industrial waste disposal company.

4. Other notes

Please refer to the following literature for anything not described in the specification or the catalog. (Technical Report of Japan Electronics and Information Technology Industries Association #EIAJ RCR-2370 "Guideline of notabilia for fixed electric double layer capacitors")

5.5V SMD, Low Resistance Capacitors

GREEN CAP

SMD

70°C



Marking color : White print on an brown sleeve

- Size : $\phi 12.5 \times 8.5$ mm, compatible with surface mounting and low ESR.
- Unlike batteries, safe and high reliability without containing active and hazardous substance.
- Unlike batteries, excellent charge and discharge characteristics with no chemical reactions.
- Responds to temperature 260°C during the reflow peek.
- Ideal for industrial, smart meter, backing up of RTC's for surveillance camera, momentary power assistance of a battery etc.

Convert to chip

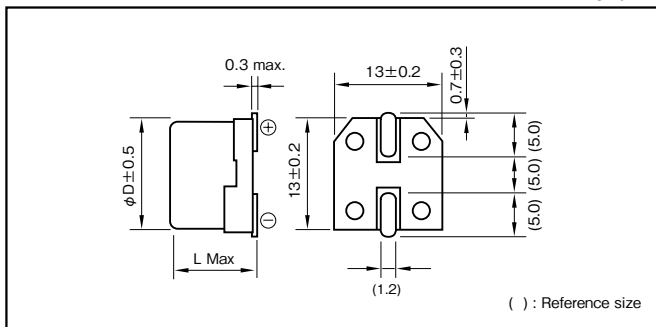


Specifications

Item	Performance				
Category temperature range (°C)	- 25 to +70				
Tolerance at rated capacitance (%)	- 20 to +80				
Internal resistance at 1 kHz	Rated capacitance (F)	0.047	0.1	0.22	0.33
	Internal resistance (Ω Max.)	30	30	30	30
Characteristics at high and low temperature	Percentage of capacitance change	Within $\pm 30\%$ of the value at 20°C			
	Internal resistance	Five times or less of the value at 20°C			
Endurance (70°C)	Test time	1000 hours			
	Percentage of capacitance change	Within $\pm 30\%$ of the initial measured value			
	Internal resistance	Four times or less of the initial specified value.			
Shelf life (70°C)	Test time : 1000 hours ; Same as endurance.				
Applicable standards	Conforms to JIS C5160 - 1 (IEC 6239 - 1)				

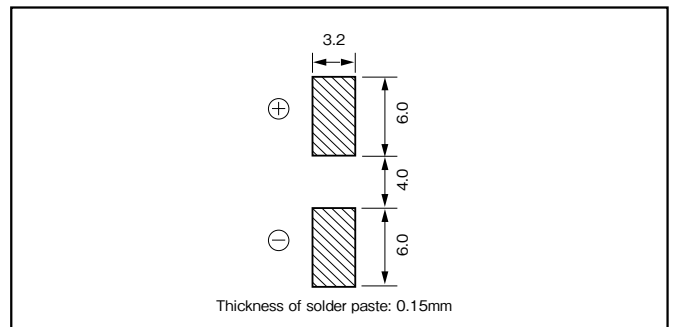
Outline Drawing

Unit : mm



Recommended land pattern size

Unit : mm



Part numbering system (example : 5.5V0.22F)

DVN	—	5R5	D	224	T	—	R5
Series code		Max. operating voltage symbol		Rated capacitance symbol			Taping symbol

Part number is refer to following table.

Standard Ratings

Max. operating voltage (V)	Rated capacitance (F)	ELNA Parts No.	$\phi D \times L$ (mm)
5.5	0.047	DVN-5R5D473T-R5	12.5 × 8.5
5.5	0.1	DVN-5R5D104T-R5	12.5 × 8.5
5.5	0.22	DVN-5R5D224T-R5	12.5 × 8.5
5.5	0.33	DVN-5R5D334T-R5	12.5 × 8.5

*soldering conditions are described on Individual page.

*It can discharge with 1.5 times as much current (mA) as rated capacitance.

5.5V SMD, Wide Temperature range Capacitors

GREEN
CAP

SMD

85°C



Marking color : White print on an brown sleeve

- Size : $\phi 12.5 \times 10.5$ mm, compatible with surface mounting.
- Wide temperature range (-40 to 85°C), Low ESR.
- Unlike batteries, safe and high reliability without containing active and hazardous substance.
- Unlike batteries, excellent charge and discharge characteristics with no chemical reactions.
- Responds to temperature 260°C during the reflow peak.
- Ideal for industrial, smart meter, backing up of RTC's for surveillance camera, momentary power assistance of a battery, automotive etc.

Convert to chip

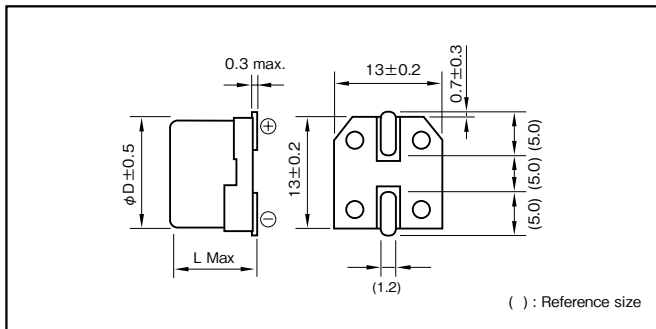


Specifications

Item	Performance			
Category temperature range (°C)	- 40 to +85			
Tolerance at rated capacitance (%)	- 20 to +80			
Internal resistance at 1 kHz	Rated capacitance (F)	0.047	0.1	0.22
	Internal resistance (Ω Max.)	45	45	45
Characteristics at high and low temperature	Percentage of capacitance change	Within $\pm 30\%$ of the value at 20°C		
	Internal resistance	- 40°C : Seven times or less of the value at 20°C - 85°C : Five times or less of the value at 20°C		
Endurance (85°C)	Test time	1000 hours		
	Percentage of capacitance change	Within $\pm 30\%$ of the initial measured value		
	Internal resistance	Four times or less of the initial specified value		
Shelf life (85°C)	Test time : 1000 hours ; Same as endurance.			
Applicable standards	Conforms to JIS C5160 - 1 (IEC 6239 - 1)			

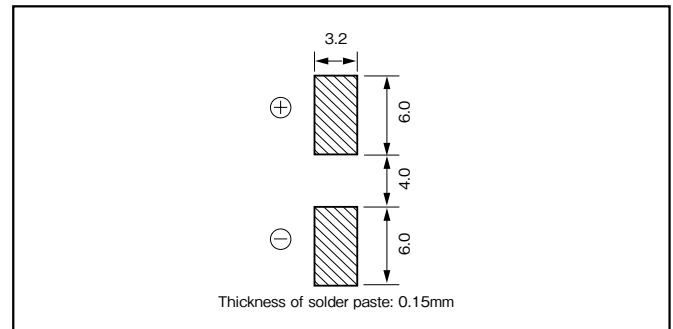
Outline Drawing

Unit : mm



Recommended land pattern size

Unit : mm



Part numbering system (example : 5.5V0.22F)

DVL	—	5R5	D	224	T	—	R5
Series code		Max. operating voltage symbol		Rated capacitance symbol			Taping symbol

Part number is refer to following table.

Standard Ratings

Max. operating voltage (V)	Rated capacitance (F)	ELNA Parts No.	$\phi D \times L$ (mm)
5.5	0.047	DVL-5R5D473T-R5	12.5 × 10.5
5.5	0.1	DVL-5R5D104T-R5	12.5 × 10.5
5.5	0.22	DVL-5R5D224T-R5	12.5 × 10.5

*soldering conditions are described on Individual page.

3.6V SMD, High Temperature range Capacitors

GREEN
CAP

SMD

85°C



Marking color : White print on a brown sleeve

- Size : $\phi 12.5 \times 8.5$ mm, compatible with surface mounting.
- Wide temperature range (-25 to $+85^\circ\text{C}$), Low ESR.
- Unlike batteries, safe and high reliability without containing active and hazardous substance.
- Unlike batteries, excellent charge and discharge characteristics with no chemical reactions.
- Responds to temperature 260°C during the reflow peak.
- Ideal for industrial, smart meter, backing up of RTC's for surveillance camera, momentary power assistance of a battery, automotive etc.

Convert to chip

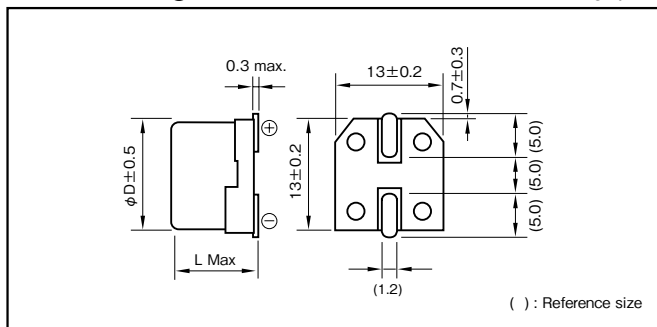


Specifications

Item	Performance				
Category temperature range (°C)	-25 to $+85$				
Tolerance at rated capacitance (%)	-20 to $+80$				
Internal resistance at 1 kHz	Rated capacitance (F)	0.047	0.1	0.22	0.33
	Internal resistance (Ω Max.)	30	30	30	30
Characteristics at high and low temperature	Percentage of capacitance change	Within $\pm 30\%$ of the value at 20°C			
	Internal resistance	Five times or less of the value at 20°C			
Endurance (85°C)	Test time	2000 hours			
	Percentage of capacitance change	Within $\pm 30\%$ of the initial measured value			
	Internal resistance	Four times or less of the initial specified value.			
Shelf life (85°C)	Test time : 1000 hours ; Same as endurance.				
Applicable standards	Conforms to JIS C5160 - 1 (IEC 6239 - 1)				

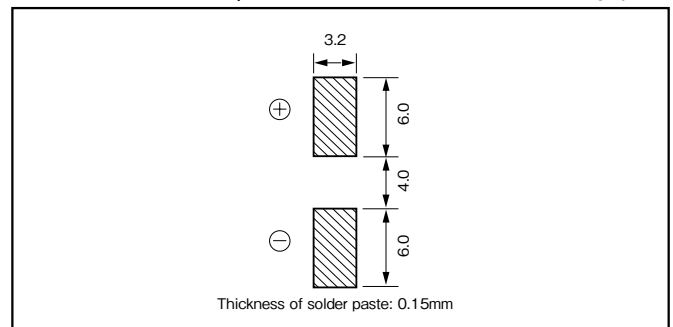
Outline Drawing

Unit : mm



Recommended land pattern size

Unit : mm



Part numbering system (example : 3.6V0.22F)

DVS	—	3R6	D	224	T	—	R5
Series code		Max. operating voltage symbol		Rated capacitance symbol			Taping symbol

Part number is refer to following table.

Standard Ratings

Max. operating voltage (V)	Rated capacitance (F)	ELNA Parts No.	$\phi D \times L$ (mm)
3.6	0.047	DVS-3R6D473T-R5	12.5×8.5
3.6	0.1	DVS-3R6D104T-R5	12.5×8.5
3.6	0.22	DVS-3R6D224T-R5	12.5×8.5
3.6	0.33	DVS-3R6D334T-R5	12.5×8.5

*soldering conditions are described on Individual page.

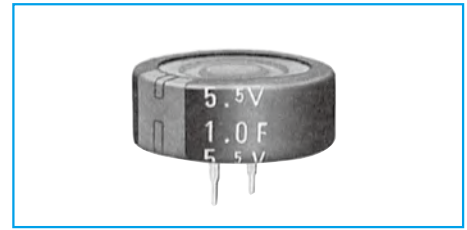
*It can discharge with 1.5 times as much current (mA) as rated capacitance.

5.5V Standard Capacitors

GREEN CAP

70°C

- Small-sized, large capacity, excellent voltage holding.
- For all ratings, uniform 5mm pitch of terminal spacing.
- Wider temperature range (−25 to +70°C) than battery.
- $\phi 21.5 \times 8.0$ mm size can encase up to 1.5F.
- Ideal for backing up of CMOS's, IC's of camera, microcomputers, RAM's, RTC's and the like used in audio, general electronic device, and others.



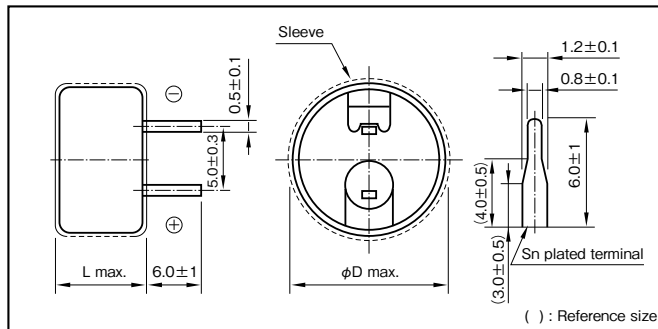
Marking color : White print on an indigo sleeve

Specifications

Item	Performance																		
Category temperature range (°C)	−25 to +70																		
Tolerance at rated capacitance (%)	−20 to +80																		
Internal resistance at 1 kHz	<table border="1"> <tr> <td>Rated capacitance (F)</td> <td>0.047</td> <td>0.1</td> <td>0.22</td> <td>0.33</td> <td>0.47</td> <td>0.47</td> <td>1</td> <td>1.5</td> </tr> <tr> <td>Internal resistance (Ω Max.)</td> <td>120</td> <td>75</td> <td>75</td> <td>75</td> <td>75 ($\phi 13.5$)</td> <td>30 ($\phi 21.5$)</td> <td>30</td> <td>30</td> </tr> </table>	Rated capacitance (F)	0.047	0.1	0.22	0.33	0.47	0.47	1	1.5	Internal resistance (Ω Max.)	120	75	75	75	75 ($\phi 13.5$)	30 ($\phi 21.5$)	30	30
	Rated capacitance (F)	0.047	0.1	0.22	0.33	0.47	0.47	1	1.5										
Internal resistance (Ω Max.)	120	75	75	75	75 ($\phi 13.5$)	30 ($\phi 21.5$)	30	30											
Characteristics at high and low temperature	Percentage of capacitance change	Within $\pm 30\%$ of the value at 20°C																	
	Internal resistance	Five times or less of the value at 20°C																	
Endurance (70°C)	Test time	1000 hours																	
	Percentage of capacitance change	Within $\pm 30\%$ of the initial measured value																	
	Internal resistance	Four times or less of the initial specified value																	
Shelf life (70°C)	Test time : 1000 hours ; Same as endurance.																		
Applicable standards	Conforms to JIS C5160 - 1 (IEC 6239 - 1)																		

Outline Drawing

Unit : mm



Part numbering system (example : 5.5V0.22F)

DB	—	5R5	D	224		T
Series code		Max. operating voltage symbol		Rated capacitance symbol		Additional symbol

Part number is refer to following table.

Standard Ratings

Max. operating voltage (V)	Rated capacitance (F)	ELNA Parts No.	$\phi D \times L$ (mm)
5.5	0.047	DB-5R5D473T	13.5×7.5
5.5	0.1	DB-5R5D104T	13.5×7.5
5.5	0.22	DB-5R5D224T	13.5×7.5
5.5	0.33	DB-5R5D334T	13.5×7.5
5.5	0.47	DB-5R5D474ST	13.5×7.5
5.5	0.47	DB-5R5D474T	21.5×8.0
5.5	1	DB-5R5D105T	21.5×8.0
5.5	1.5	DB-5R5D155T	21.5×8.0

NOTE : Design, Specifications are subject to change without notice.
It is recommended that you shall obtain technical specifications from ELNA to ensure that the component is suitable for your use.

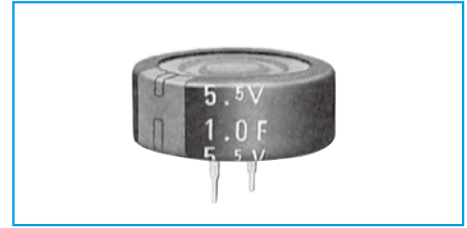
5.5V Low Resistance

GREEN CAP

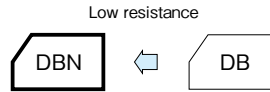
70°C

Low ESR

- Internal resistance was reduced to about 1/3 ($\phi 13.5$), compared with DB series.
- It excels in rapid charge.



Marking color : White print on an indigo sleeve

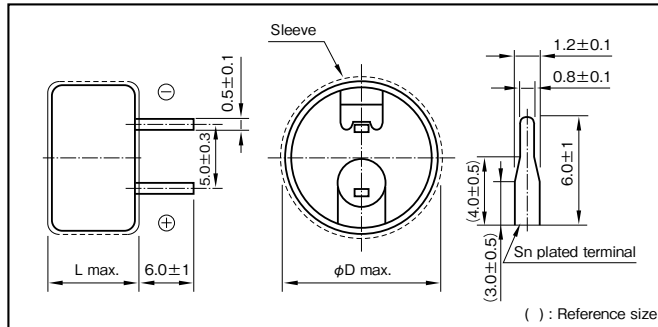


Specifications

Item	Performance																		
Category temperature range (°C)	-25 to +70																		
Tolerance at rated capacitance (%)	-20 to +80																		
Internal resistance at 1 kHz	<table border="1"> <tr> <td>Rated capacitance (F)</td> <td>0.047</td> <td>0.1</td> <td>0.22</td> <td>0.33</td> <td>0.47</td> <td>0.47</td> <td>1</td> <td>1.5</td> </tr> <tr> <td>Internal resistance (Ω Max.)</td> <td>25</td> <td>25</td> <td>25</td> <td>25</td> <td>25 ($\phi 13.5$)</td> <td>20 ($\phi 21.5$)</td> <td>20</td> <td>20</td> </tr> </table>	Rated capacitance (F)	0.047	0.1	0.22	0.33	0.47	0.47	1	1.5	Internal resistance (Ω Max.)	25	25	25	25	25 ($\phi 13.5$)	20 ($\phi 21.5$)	20	20
	Rated capacitance (F)	0.047	0.1	0.22	0.33	0.47	0.47	1	1.5										
Internal resistance (Ω Max.)	25	25	25	25	25 ($\phi 13.5$)	20 ($\phi 21.5$)	20	20											
Characteristics at high and low temperature	<table border="1"> <tr> <td>Percentage of capacitance change</td> <td>Within $\pm 30\%$ of the value at 20°C</td> </tr> <tr> <td>Internal resistance</td> <td>Five times or less of the value at 20°C</td> </tr> </table>	Percentage of capacitance change	Within $\pm 30\%$ of the value at 20°C	Internal resistance	Five times or less of the value at 20°C														
	Percentage of capacitance change	Within $\pm 30\%$ of the value at 20°C																	
Internal resistance	Five times or less of the value at 20°C																		
Endurance (70°C)	<table border="1"> <tr> <td>Test time</td> <td>1000 hours</td> </tr> <tr> <td>Percentage of capacitance change</td> <td>Within $\pm 30\%$ of the initial measured value</td> </tr> <tr> <td>Internal resistance</td> <td>Four times or less of the initial specified value</td> </tr> </table>	Test time	1000 hours	Percentage of capacitance change	Within $\pm 30\%$ of the initial measured value	Internal resistance	Four times or less of the initial specified value												
	Test time	1000 hours																	
	Percentage of capacitance change	Within $\pm 30\%$ of the initial measured value																	
Internal resistance	Four times or less of the initial specified value																		
Shelf life (70°C)	Test time : 1000 hours ; Same as endurance.																		
Applicable standards	Conforms to JIS C5160 - 1 (IEC 6239 - 1)																		

Outline Drawing

Unit : mm



Part numbering system (example : 5.5V0.22F)

DBN	—	5R5	D	224		T
Series code		Max. operating voltage symbol		Rated capacitance symbol	Additional symbol	

Part number is refer to following table.

Standard Ratings

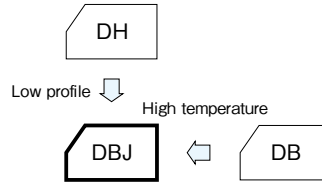
Max. operating voltage (V)	Rated capacitance (F)	ELNA Parts No.	$\phi D \times L$ (mm)
5.5	0.047	DBN-5R5D473T	13.5×7.5
5.5	0.1	DBN-5R5D104T	13.5×7.5
5.5	0.22	DBN-5R5D224T	13.5×7.5
5.5	0.33	DBN-5R5D334T	13.5×7.5
5.5	0.47	DBN-5R5D474ST	13.5×7.5
5.5	0.47	DBN-5R5D474T	21.5×8.0
5.5	1	DBN-5R5D105T	21.5×8.0
5.5	1.5	DBN-5R5D155T	21.5×8.0

*It can discharge with 1.5 times as much current (mA) as rated capacitance.

5.5V Low Profile and High Temperature Capacitors

GREEN CAP 85°C

- High temperature type of series DB.
- Small-sized, large capacity, excellent voltage holding.
- For all ratings, uniform 5mm pitch of terminal spacing.
- $\phi 13.5 \times 7.5$ mm size can encase up to 0.33F.
- Ideal for backing up of CMOS's, IC's of camera, microcomputers, RAM's, RTC's and the like used in audio, general electronic device, and others.



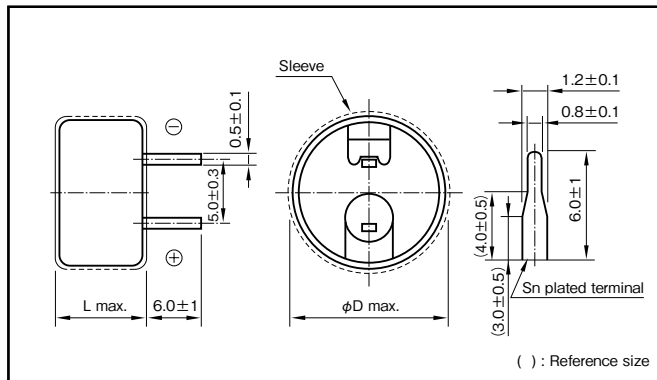
Marking color : White print on a black sleeve

Specifications

Item	Performance	
Category temperature range (°C)	-10 to +85	
Tolerance at rated capacitance (%)	-20 to +80	
Internal resistance at 1 kHz	Rated capacitance (F)	0.047 0.1 0.22 0.33 0.47 1
	Internal resistance (Ω Max.)	200 150 150 150 100 75
Characteristics at high and low temperature	Percentage of capacitance change	Within $\pm 30\%$ of the value at 20°C
	Internal resistance	Four times or less of the initial specified value.
Endurance (85°C)	Test time	1000 hours
	Percentage of capacitance change	Within $\pm 30\%$ of the initial measured value
	Internal resistance	Four times or less of the initial specified value
Shelf life (85°C)	Test time : 1000 hours ; Same as endurance.	
Applicable standards	Conforms to JIS C5160 - 1 (IEC 6239 - 1)	

Outline Drawing

Unit : mm



Part numbering system (example : 5.5V0.22F)

DBJ	—	5R5	D	224	T
Series code		Max.operating voltage symbol		Rated capacitance symbol	

Part number is refer to following table.

Standard Ratings

Max. operating voltage (V)	Rated capacitance (F)	ELNA Parts No.	$\phi D \times L$ (mm)
5.5	0.047	DBJ-5R5D473T	13.5×7.5
5.5	0.1	DBJ-5R5D104T	13.5×7.5
5.5	0.22	DBJ-5R5D224T	13.5×7.5
5.5	0.33	DBJ-5R5D334T	13.5×7.5
5.5	0.47	DBJ-5R5D474T	21.5×8.0
5.5	1	DBJ-5R5D105T	21.5×8.0

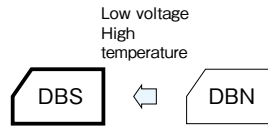
NOTE : Design, Specifications are subject to change without notice.
It is recommended that you shall obtain technical specifications from ELNA to ensure that the component is suitable for your use.

3.6V Low Profile and Low ESR High Temperature Capacitors

GREEN CAP

85°C

- Long life of 3.6V 2000 hours in small size low ESR.
- For all ratings, uniform 5mm pitch of terminal spacing.
- Wider temperature range (-25 to +85°C) than battery.
- $\phi 13.5 \times 7.5$ mm size can encase up to 0.47F.
- Ideal for backing up of CMOS's, IC's of camera, microcomputers, RAM's, RTC's and the like used in audio, smart meter, general electronic device, and others.
- It excels in rapid charge.



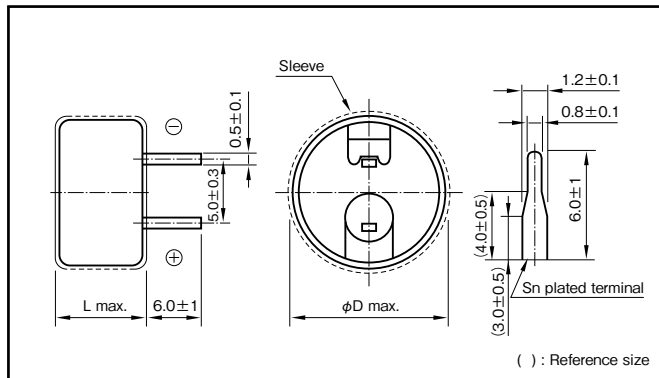
Marking color : White print on a black sleeve

Specifications

Item	Performance							
Category temperature range (°C)	-25 to +85							
Tolerance at rated capacitance (%)	-20 to +80							
Internal resistance at 1 kHz	Rated capacitance (F)	0.047	0.1	0.22	0.33	0.47	0.47	1
	Internal resistance (Ω Max.)	25	25	25	25	25 ($\phi 13.5$)	20 ($\phi 21.5$)	20
Characteristics at high and low temperature	Percentage of capacitance change	Within $\pm 30\%$ of the value at 20°C						
	Internal resistance	Five times or less of the value at 20°C						
Endurance (85°C)	Test time	2000 hours ($\phi 13.5$ 0.47F : 1000 hours)						
	Percentage of capacitance change	Within $\pm 30\%$ of the initial measured value						
	Internal resistance	Four times or less of the initial specified value						
Shelf life (85°C)	Test time : 1000 hours ; Same as endurance.							
Applicable standards	Conforms to JIS C5160 - 1 (IEC 6239 - 1)							

Outline Drawing

Unit : mm



Part numbering system (example : 3.6V0.22F)

DBS	—	3R6	D	224		T
Series code		Max. operating voltage symbol		Rated capacitance symbol		Additional symbol

Part number is refer to following table.

Standard Ratings

Max. operating voltage (V)	Rated capacitance (F)	ELNA Parts No.	$\phi D \times L$ (mm)
3.6	0.047	DBS-3R6D473T	13.5 × 7.5
3.6	0.1	DBS-3R6D104T	13.5 × 7.5
3.6	0.22	DBS-3R6D224T	13.5 × 7.5
3.6	0.33	DBS-3R6D334T	13.5 × 7.5
3.6	0.47	DBS-3R6D474ST	13.5 × 7.5
3.6	0.47	DBS-3R6D474T	21.5 × 8.0
3.6	1	DBS-3R6D105T	21.5 × 8.0

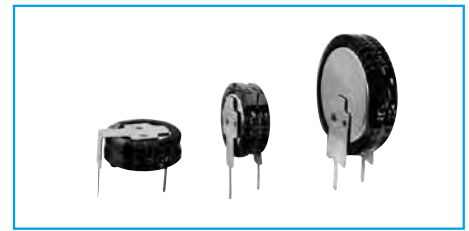
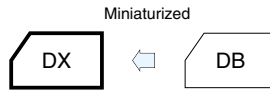
*It can discharge with 1.5 times as much current (mA) as rated capacitance.

5.5V Miniaturized Standard Capacitors

GREEN CAP

70°C

- Smaller and lighter than Series DB.
- 5mm tall. Max. thin profile (H-shaped).
- Miniaturized but can encase up to 0.47F in $\phi 11.5$ case, and 1.5F in $\phi 19.0$ case.
- Ideal for backing up of CMOS's, IC's of camera, microcomputers, RAM's, RTC's and the like used in audio, general electronic device, and others.



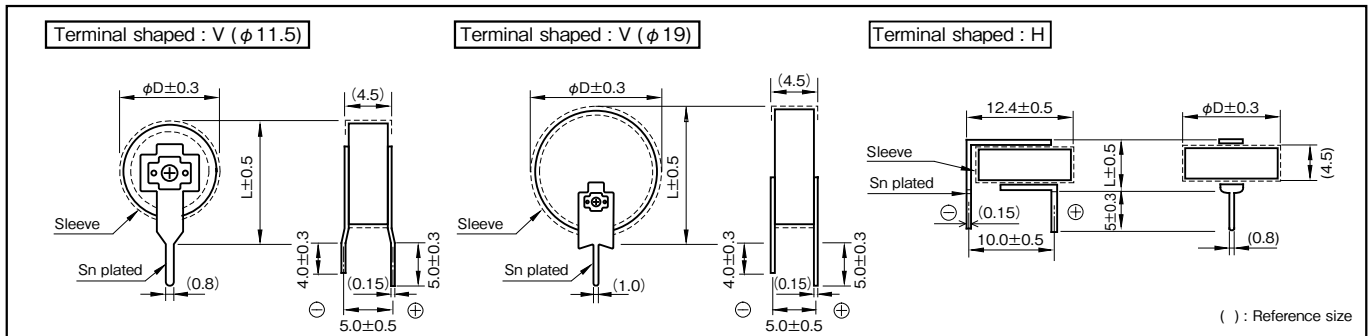
Marking color : White print on an indigo sleeve

Specifications

Item	Performance
Category temperature range (°C)	-25 to +70
Tolerance at rated capacitance (%)	-20 to +80
Internal resistance at 1 kHz	Rated capacitance (F)
	Internal resistance (Ω Max.)
Characteristics at high and low temperature	Percentage of capacitance change
	Internal resistance
Endurance (70°C)	Test time
	Percentage of capacitance change
	Internal resistance
Shelf life (70°C)	Test time : 1000 hours ; Same as endurance.
Applicable standards	Conforms to JIS C5160 - 1 (IEC 6239 - 1)

Outline Drawing

Unit : mm



Part numbering system (example : 5.5V0.22F)

DX	—	5R5	\square	224	\square	U
Series code		Max.operating voltage symbol	Terminal code	Rated capacitance symbol	Additional symbol	

Part number is refer to following table.

Note

Do not apply external force to products or terminals as stress such as twisting, bending, pushing, or falling of such products or terminals may remove the terminals, resulting in an open/short circuit or liquid leakage.
Avoid applying excessive heat to capacitors during heating of an adhesive curing oven. For details, refer to the precautions in use of DYNACAP.

Standard Ratings

Max. operating voltage (V)	Rated capacitance (F)	ELNA Parts No.	$\phi D \times L$ (mm)
5.5	0.047	DX-5R5V473U	11.5×13.0
		DX-5R5H473U	11.5× 5.0
5.5	0.1	DX-5R5V104U	11.5×13.0
		DX-5R5H104U	11.5× 5.0
5.5	0.22	DX-5R5V224U	11.5×13.0
		DX-5R5H224U	11.5× 5.0
5.5	0.33	DX-5R5V334U	11.5×13.0
		DX-5R5H334U	11.5× 5.0
5.5	0.47	DX-5R5V474SU	11.5×13.0
		DX-5R5H474SU	11.5× 5.0
		DX-5R5V474U	19.0×20.5
5.5	1	DX-5R5V105U	19.0×20.5
5.5	1.5	DX-5R5V155U	19.0×20.5

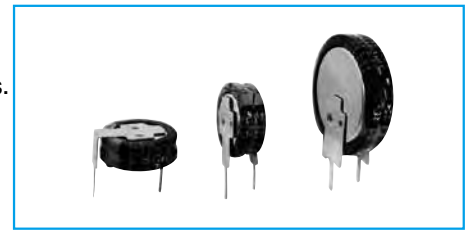
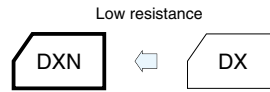
NOTE : Design, Specifications are subject to change without notice.
It is recommended that you shall obtain technical specifications from ELNA to ensure that the component is suitable for your use.

5.5V Miniaturized Low Resistance Capacitors

GREEN CAP

70°C

- Internal resistance was reduced to about 1/3 ($\phi 11.5$), compared with DX series.
- 5mm tall. Max. thin profile (H-shaped).
- Miniaturized but can encase up to 0.47F in $\phi 11.5$ case, and 1.5F in $\phi 19.0$ case.
- It excels in rapid charge.
- Ideal for backing up of CMOS's, IC's of camera, microcomputers, RAM's, RTC's and the like used in audio, general electronic device, and others.



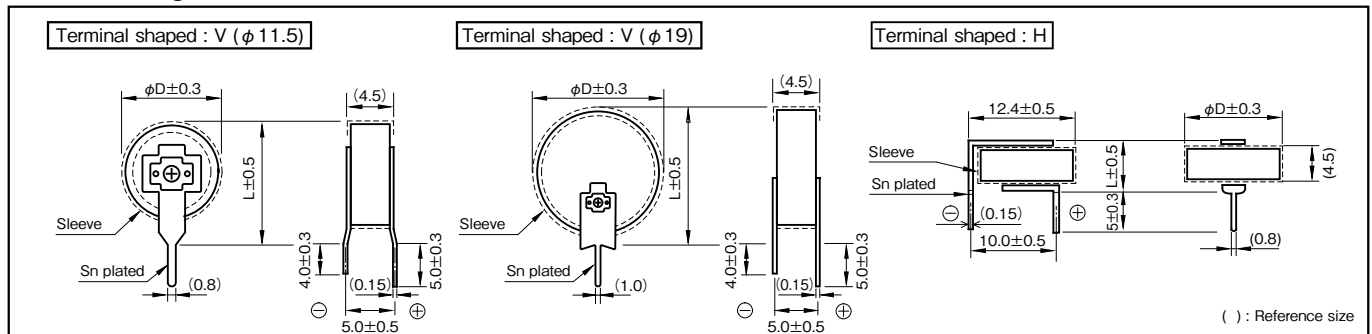
Marking color : White print on an indigo sleeve

Specifications

Item	Performance																											
Category temperature range (°C)	-25 to +70																											
Tolerance at rated capacitance (%)	-20 to +80																											
Internal resistance at 1 kHz	<table border="1"> <tr> <td>Rated capacitance (F)</td> <td>0.047</td> <td>0.1</td> <td>0.22</td> <td>0.33</td> <td>0.47</td> <td>0.47</td> <td>1</td> <td>1.5</td> </tr> <tr> <td>Internal resistance (Ω Max.)</td> <td>25</td> <td>25</td> <td>25</td> <td>25</td> <td>25 ($\phi 11.5$)</td> <td>20 ($\phi 19.0$)</td> <td>20</td> <td>20</td> </tr> </table>	Rated capacitance (F)	0.047	0.1	0.22	0.33	0.47	0.47	1	1.5	Internal resistance (Ω Max.)	25	25	25	25	25 ($\phi 11.5$)	20 ($\phi 19.0$)	20	20									
	Rated capacitance (F)	0.047	0.1	0.22	0.33	0.47	0.47	1	1.5																			
Internal resistance (Ω Max.)	25	25	25	25	25 ($\phi 11.5$)	20 ($\phi 19.0$)	20	20																				
Characteristics at high and low temperature	<table border="1"> <tr> <td>Percentage of capacitance change</td> <td colspan="8">Within $\pm 30\%$ of the value at 20°C</td> </tr> <tr> <td>Internal resistance</td> <td colspan="8">Five times or less of the value at 20°C</td> </tr> </table>	Percentage of capacitance change	Within $\pm 30\%$ of the value at 20°C								Internal resistance	Five times or less of the value at 20°C																
	Percentage of capacitance change	Within $\pm 30\%$ of the value at 20°C																										
Internal resistance	Five times or less of the value at 20°C																											
Endurance (70°C)	<table border="1"> <tr> <td>Test time</td> <td colspan="8">1000 hours</td> </tr> <tr> <td>Percentage of capacitance change</td> <td colspan="8">Within $\pm 30\%$ of the initial measured value</td> </tr> <tr> <td>Internal resistance</td> <td colspan="8">Four times or less of the initial specified value</td> </tr> </table>	Test time	1000 hours								Percentage of capacitance change	Within $\pm 30\%$ of the initial measured value								Internal resistance	Four times or less of the initial specified value							
	Test time	1000 hours																										
	Percentage of capacitance change	Within $\pm 30\%$ of the initial measured value																										
Internal resistance	Four times or less of the initial specified value																											
Shelf life (70°C)	Test time : 1000 hours ; Same as endurance.																											
Applicable standards	Conforms to JIS C5160 - 1 (IEC 6239 - 1)																											

Outline Drawing

Unit : mm



Part numbering system (example : 5.5V0.22F)

DXN	—	5R5		224		U
Series code		Max.operating voltage symbol	Terminal code	Rated Capacitance symbol	Additional symbol	

Part number is refer to following table.

Note

Do not apply external force to products or terminals as stress such as twisting, bending, pushing, or falling of such products or terminals may remove the terminals, resulting in an open/short circuit or liquid leakage.
Avoid applying excessive heat to capacitors during heating of an adhesive curing oven. For details, refer to the precautions in use of DYNACAP.

Standard Ratings

Max. operating voltage (V)	Rated capacitance (F)	ELNA Parts No.	$\phi D \times L$ (mm)
5.5	0.047	DXN-5R5V473U	11.5×13.0
		DXN-5R5H473U	11.5× 5.0
5.5	0.1	DXN-5R5V104U	11.5×13.0
		DXN-5R5H104U	11.5× 5.0
5.5	0.22	DXN-5R5V224U	11.5×13.0
		DXN-5R5H224U	11.5× 5.0
5.5	0.33	DXN-5R5V334U	11.5×13.0
		DXN-5R5H334U	11.5× 5.0
5.5	0.47	DXN-5R5V474SU	11.5×13.0
		DXN-5R5H474SU	11.5× 5.0
		DXN-5R5V474U	19.0×20.5
5.5	1	DXN-5R5V105U	19.0×20.5
5.5	1.5	DXN-5R5V155U	19.0×20.5

*It can discharge with 1.5 times as much current (mA) as rated capacitance.

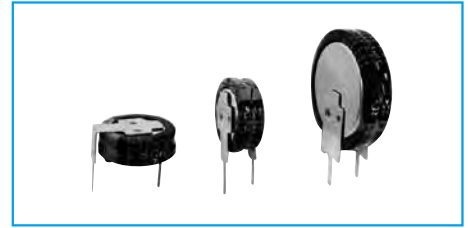
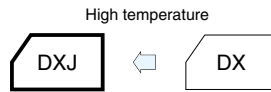
NOTE : Design, Specifications are subject to change without notice.
It is recommended that you shall obtain technical specifications from ELNA to ensure that the component is suitable for your use.

5.5V Miniaturized High Temperature Capacitors

GREEN CAP

85°C

- High temperature type of Series DX.
- 5mm tall. Max. thin profile (H-shaped).
- Miniaturized but can encase up to 0.33F in $\phi 11.5$ case, and 1.0F in $\phi 19.0$ case.
- Ideal for backing up of CMOS's, IC's of camera, microcomputers, RAM's, RTC's and the like used in audio, general electronic device, and others.



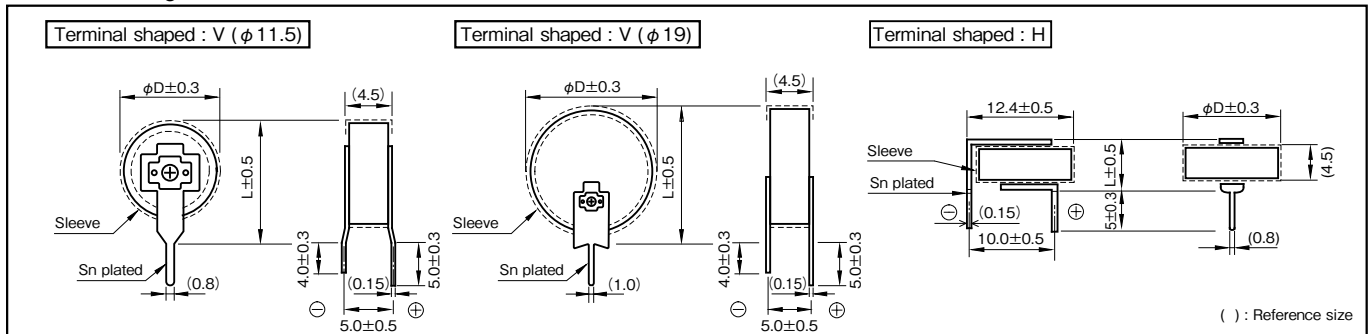
Marking color : White print on a black sleeve

Specifications

Item	Performance					
Category temperature range (°C)	-10 to +85					
Tolerance at rated capacitance (%)	-20 to +80					
Internal resistance at 1 kHz	Rated capacitance (F)	0.047	0.1	0.22	0.33	1
	Internal resistance (Ω Max.)	200	150	150	150	75
Characteristics at high and low temperature	Percentage of capacitance change	Within $\pm 30\%$ of the value at 20°C				
	Internal resistance	Four times or less of the initial specified value.				
Endurance (85°C)	Test time	1000 hours				
	Percentage of capacitance change	Within $\pm 30\%$ of the initial measured value				
	Internal resistance	Four times or less of the initial specified value.				
Shelf life (85°C)	Test time : 1000 hours ; Same as endurance.					
Applicable standards	Conforms to JIS C5160 - 1 (IEC 6239 - 1)					

Outline Drawing

Unit : mm



Part numbering system (example : 5.5V0.22F)

DXJ	—	5R5	\square	224	\square	U
Series code		Max.operating voltage symbol	Terminal code	Rated Capacitance symbol	Additional symbol	

Part number is refer to following table.

Note

Do not apply external force to products or terminals as stress such as twisting, bending, pushing, or falling of such products or terminals may remove the terminals, resulting in an open/short circuit or liquid leakage. Avoid applying excessive heat to capacitors during heating of an adhesive curing oven. For details, refer to the precautions in use of DYNACAP.

Standard Ratings

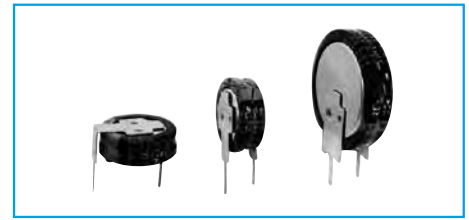
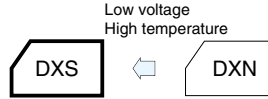
Max. operating voltage (V)	Rated capacitance (F)	ELNA Parts No.	$\phi D \times L$ (mm)
5.5	0.047	DXJ-5R5V473U	11.5×13.0
		DXJ-5R5H473U	11.5× 5.0
5.5	0.1	DXJ-5R5V104U	11.5×13.0
		DXJ-5R5H104U	11.5× 5.0
5.5	0.22	DXJ-5R5V224U	11.5×13.0
		DXJ-5R5H224U	11.5× 5.0
5.5	0.33	DXJ-5R5V334U	11.5×13.0
		DXJ-5R5H334U	11.5× 5.0
5.5	1	DXJ-5R5V105U	19.0×20.5

3.6V Miniaturized Low ESR High Temperature Capacitors

GREEN CAP

85°C

- Long life of 3.6V 2000 hours, low ESR in DX series and this size.
- 5mm tall. Max. thin profile (H-shaped).
- Wider temperature range (-25 to +85°C) than battery.
- Miniaturized but can encase up to 0.47F in $\phi 11.5$ case, and 1.0F in $\phi 19.0$ case.
- It excels in rapid charge.
- Ideal for backing up of CMOS's, IC's of camera, microcomputers, RAM's, RTC's and the like used in audio, general electronic device, and others.



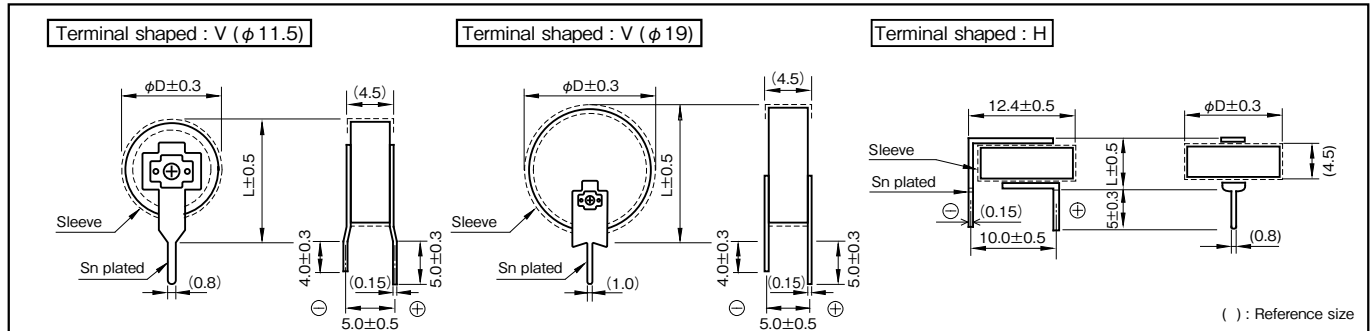
Marking color : White print on a black sleeve

Specifications

Item	Performance	
Category temperature range (°C)	-25 to +85	
Tolerance at rated capacitance (%)	-20 to +80	
Internal resistance at 1 kHz	Rated capacitance (F)	0.047 0.1 0.22 0.33 0.47 0.47 1
	Internal resistance (Ω Max.)	25 25 25 25 25 ($\phi 11.5$) 20 ($\phi 19.0$) 20
Characteristics at high and low temperature	Percentage of capacitance change	Within $\pm 30\%$ of the value at 20°C
	Internal resistance	Five times or less of the value at 20°C
Endurance (85°C)	Test time	2000 hours ($\phi 11.5$ 0.47F : 1000 hours)
	Percentage of capacitance change	Within $\pm 30\%$ of the initial measured value
	Internal resistance	Four times or less of the initial specified value
Shelf life (85°C)	Test time : 1000 hours ; Same as endurance.	
Applicable standards	Conforms to JIS C5160 - 1 (IEC 6239 - 1)	

Outline Drawing

Unit : mm



Part numbering system (example : 3.6V0.22F)

DXS	—	3R6		224		U
Series code		Max.operating voltage symbol	Terminal shaped	Rated capacitance symbol	Additional symbol	

Part number is refer to following table.

Note

Do not apply external force to products or terminals as stress such as twisting, bending, pushing, or falling of such products or terminals may remove the terminals, resulting in an open/short circuit or liquid leakage. Avoid applying excessive heat to capacitors during heating of an adhesive curing oven. For details, refer to the precautions in use of DYNACAP.

Standard Ratings

Max. operating voltage (V)	Rated capacitance (F)	ELNA Parts No.	$\phi D \times L$ (mm)
3.6	0.047	DXS-3R6V473U	11.5×13.0
		DXS-3R6H473U	11.5× 5.0
3.6	0.1	DXS-3R6V104U	11.5×13.0
		DXS-3R6H104U	11.5× 5.0
3.6	0.22	DXS-3R6V224U	11.5×13.0
		DXS-3R6H224U	11.5× 5.0
3.6	0.33	DXS-3R6V334U	11.5×13.0
		DXS-3R6H334U	11.5× 5.0
3.6	0.47	DXS-3R6V474SU	11.5×13.0
		DXS-3R6H474SU	11.5× 5.0
		DXS-3R6V474U	19.0×20.5
3.6	1	DXS-3R6V105U	19.0×20.5

*It can discharge with 1.5 times as much current (mA) as rated capacitance.

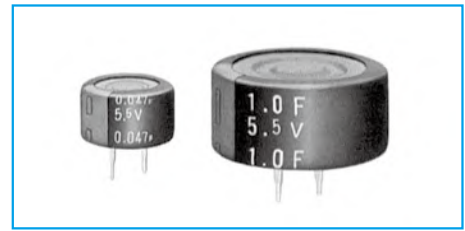
NOTE : Design, Specifications are subject to change without notice. It is recommended that you shall obtain technical specifications from ELNA to ensure that the component is suitable for your use.

High Temperature Capacitors

GREEN CAP

85°C

- High temperature tolerant (−25 to +85°C) and highly reliable.
- Ideal for backing up of CMOS IC's, microcomputers, RAM's, RTC's for smart meter, outdoor equipment, industrial.



Marking color : White print on an indigo sleeve



Miniaturized ↑ High temperature

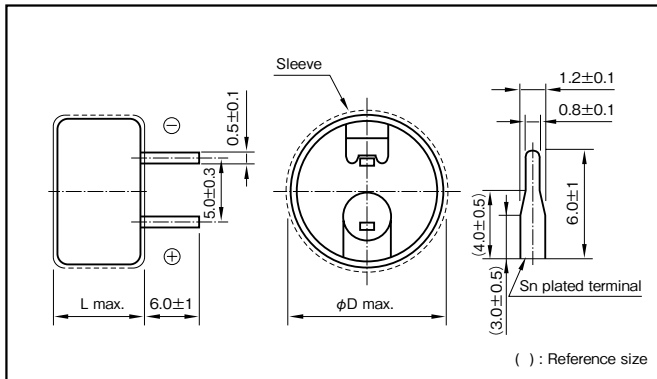


Specifications

Item	Performance														
Category temperature range (°C)	−25 to +85														
Tolerance at rated capacitance (%)	−20 to +80														
Internal resistance at 1 kHz	<table border="1"> <tr> <td>Rated capacitance (F)</td> <td>0.047</td> <td>0.1</td> <td>0.22</td> <td>0.47</td> <td>0.68</td> <td>1</td> </tr> <tr> <td>Internal resistance (Ω Max.)</td> <td>300</td> <td>200</td> <td>120</td> <td>50</td> <td>50</td> <td>30</td> </tr> </table>	Rated capacitance (F)	0.047	0.1	0.22	0.47	0.68	1	Internal resistance (Ω Max.)	300	200	120	50	50	30
	Rated capacitance (F)	0.047	0.1	0.22	0.47	0.68	1								
Internal resistance (Ω Max.)	300	200	120	50	50	30									
Characteristics at high and low temperature	<table border="1"> <tr> <td>Percentage of capacitance change</td> <td>Within ±30% of the value at 20°C</td> </tr> <tr> <td>Internal resistance</td> <td>Five times or less of the value at 20°C</td> </tr> </table>	Percentage of capacitance change	Within ±30% of the value at 20°C	Internal resistance	Five times or less of the value at 20°C										
	Percentage of capacitance change	Within ±30% of the value at 20°C													
Internal resistance	Five times or less of the value at 20°C														
Endurance (85°C)	<table border="1"> <tr> <td>Test time</td> <td>1000 hours</td> </tr> <tr> <td>Percentage of capacitance change</td> <td>Within ±30% of the initial measured value</td> </tr> <tr> <td>Internal resistance</td> <td>Four times or less of the initial specified value</td> </tr> </table>	Test time	1000 hours	Percentage of capacitance change	Within ±30% of the initial measured value	Internal resistance	Four times or less of the initial specified value								
	Test time	1000 hours													
	Percentage of capacitance change	Within ±30% of the initial measured value													
Internal resistance	Four times or less of the initial specified value														
Shelf life (85°C)	Test time : 1000 hours ; Same as endurance.														
Applicable standards	Conforms to JIS C5160 - 1 (IEC 6239 - 1)														

Outline Drawing

Unit : mm



Part numbering system (example : 5.5V0.22F)

DH	—	5R5	D	224	T
Series code		Max.operating voltage symbol		Rated capacitance symbol	

Part number is refer to following table.

Standard Ratings

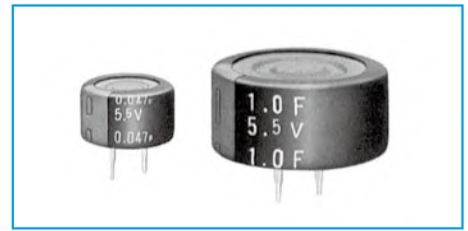
Max. operating voltage (V)	Rated capacitance (F)	ELNA Parts No.	φD×L (mm)
5.5	0.047	DH-5R5D473T	13.5×9.5
5.5	0.1	DH-5R5D104T	13.5×9.5
5.5	0.22	DH-5R5D224T	13.5×9.5
5.5	0.47	DH-5R5D474T	21.5×9.5
5.5	0.68	DH-5R5D684T	21.5×9.5
5.5	1	DH-5R5D105T	21.5×9.5

NOTE : Design, Specifications are subject to change without notice.
It is recommended that you shall obtain technical specifications from ELNA to ensure that the component is suitable for your use.

5.5V Wide Temperature Range Capacitors

GREEN CAP 85°C

- It is a category temperature range larger than battery.
- $\phi 13.5$ size can encase up to 0.22F, $\phi 21.5$ size can encase up to 1.0F.
- It excels in rapid charge.
- Ideal for backing up of CMOS IC's, microcomputers, RAM's, RTC's for smart meter, outdoor equipment, auto motive and industrial.



Marking color : White print on an indigo sleeve

Wide temperature range

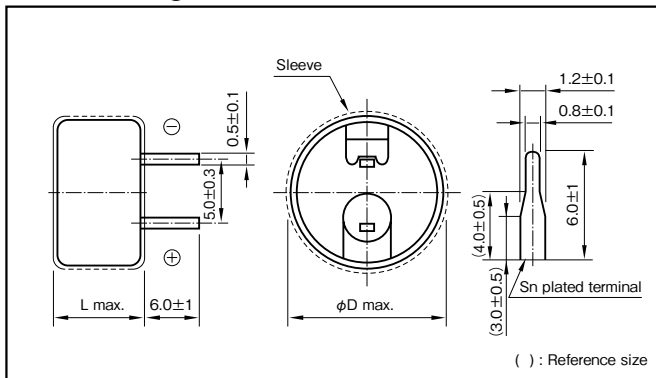


Specifications

Item	Performance	
Category temperature range (°C)	-40 to +85	
Tolerance at rated capacitance (%)	-20 to +80	
Internal resistance at 1 kHz	Rated capacitance (F)	0.047 0.1 0.22 0.47 0.68 1
	Internal resistance (Ω Max.)	40 40 40 20 20 20
Characteristics at high and low temperature	Percentage of capacitance change	Within $\pm 30\%$ of the value at 20°C
	Internal resistance	-40°C : Seven times or less of the value at 20°C 85°C : Five times or less of the value at 20°C
Endurance (85°C)	Test time	1000 hours
	Percentage of capacitance change	Within $\pm 30\%$ of the initial measured value
	Internal resistance	Four times or less of the initial specified value
Shelf life (85°C)	Test time : 1000 hours ; Same as endurance.	
Applicable standards	Conforms to JIS C5160 - 1 (IEC 6239 - 1)	

Outline Drawing

Unit : mm



Part numbering system (example : 5.5V0.22F)

DHL	—	5R5	D	224	T
Series code		Rated voltage symbol		Rated capacitance symbol	

Part number is refer to following table.

Standard Ratings

Max. operating voltage (V)	Rated capacitance (F)	ELNA Parts No.	$\phi D \times L$ (mm)
5.5	0.047	DHL-5R5D473T	13.5×9.5
5.5	0.1	DHL-5R5D104T	13.5×9.5
5.5	0.22	DHL-5R5D224T	13.5×9.5
5.5	0.47	DHL-5R5D474T	21.5×9.5
5.5	0.68	DHL-5R5D684T	21.5×9.5
5.5	1	DHL-5R5D105T	21.5×9.5

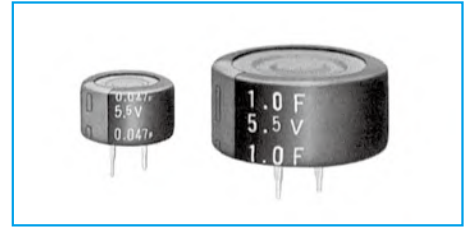
NOTE : Design, Specifications are subject to change without notice.
It is recommended that you shall obtain technical specifications from ELNA to ensure that the component is suitable for your use.

5.5V High Temperature, Long Life Capacitors

GREEN CAP

85°C

- Guarantees 3000 hours at 85°C, 5.5V (10 years at room temperature).
- It is a category temperature range larger than battery.
- It excels in rapid charge.
- Ideal for backing up of CMOS IC's, microcomputers, RAM's, RTC's for smart meter, outdoor equipment, auto motive and industrial.



Marking color : White print on a Black sleeve

Long Life

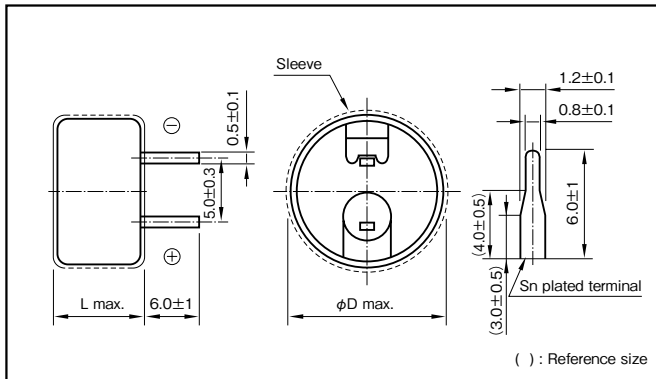


Specifications

Item	Performance														
Category temperature range (°C)	-25 to +85														
Tolerance at rated capacitance (%)	-20 to +80														
Internal resistance at 1 kHz	<table border="1"> <tr> <td>Rated capacitance (F)</td> <td>0.047</td> <td>0.1</td> <td>0.22</td> <td>0.47</td> <td>0.68</td> <td>1</td> </tr> <tr> <td>Internal resistance (Ω Max.)</td> <td>300</td> <td>200</td> <td>120</td> <td>50</td> <td>50</td> <td>30</td> </tr> </table>	Rated capacitance (F)	0.047	0.1	0.22	0.47	0.68	1	Internal resistance (Ω Max.)	300	200	120	50	50	30
	Rated capacitance (F)	0.047	0.1	0.22	0.47	0.68	1								
Internal resistance (Ω Max.)	300	200	120	50	50	30									
Characteristics at high and low temperature	<table border="1"> <tr> <td>Percentage of capacitance change</td> <td>Within ±30% of the value at 20°C</td> </tr> <tr> <td>Internal resistance</td> <td>Five times or less of the value at 20°C</td> </tr> </table>	Percentage of capacitance change	Within ±30% of the value at 20°C	Internal resistance	Five times or less of the value at 20°C										
	Percentage of capacitance change	Within ±30% of the value at 20°C													
Internal resistance	Five times or less of the value at 20°C														
Endurance (85°C)	<table border="1"> <tr> <td>Test time</td> <td>3000 hours</td> </tr> <tr> <td>Percentage of capacitance change</td> <td>Within ±30% of the initial measured value</td> </tr> <tr> <td>Internal resistance</td> <td>Four times or less of the initial specified value</td> </tr> </table>	Test time	3000 hours	Percentage of capacitance change	Within ±30% of the initial measured value	Internal resistance	Four times or less of the initial specified value								
	Test time	3000 hours													
	Percentage of capacitance change	Within ±30% of the initial measured value													
Internal resistance	Four times or less of the initial specified value														
Shelf life (85°C)	Test time : 1000 hours ; Same as endurance.														
Applicable standards	Conforms to JIS C5160 - 1 (IEC 6239 - 1)														

Outline Drawing

Unit : mm



Part numbering system (example : 5.5V0.22F)

DHC	—	5R5	D	224	T
Series code		Rated voltage symbol		Rated capacitance symbol	

Part number is refer to following table.

Standard Ratings

Max. operating voltage (V)	Rated capacitance (F)	ELNA Parts No.	φD×L (mm)
5.5	0.047	DHC-5R5D473T	13.5×9.5
5.5	0.1	DHC-5R5D104T	13.5×9.5
5.5	0.22	DHC-5R5D224T	13.5×9.5
5.5	0.47	DHC-5R5D474T	21.5×9.5
5.5	0.68	DHC-5R5D684T	21.5×9.5
5.5	1	DHC-5R5D105T	21.5×9.5

DS, DSK-614, 621

ELECTRIC DOUBLE LAYER CAPACITORS "DYNACAP"

ELNA

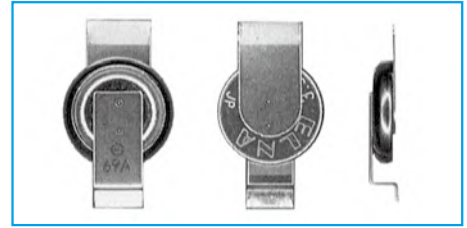
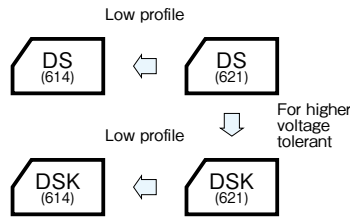
Coin Cell Capacitors

GREEN CAP

SMD

60°C / 70°C

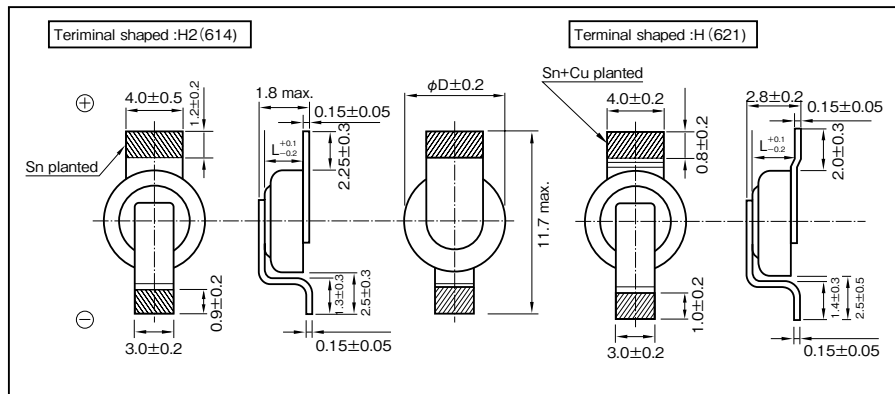
- Reflow soldering method available.
- High reliability, Safe and unlike secondary batteries, environmentally friendly devices.
- Unlike batteries, excellent charge and discharge characteristics with no chemical reactions.
- 1.8mm height type 614 made lineup in the DS, DSK series.
- Ideal for backing up of portable device etc.



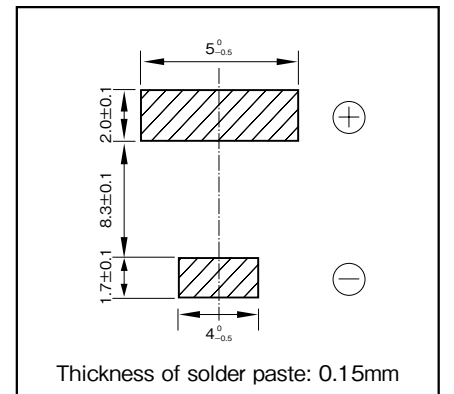
Specifications

Item	Performance					
Series Name	Series DS			Series DSK		
Max. operating voltage (V)	2.5			3.3		
Category temperature range (°C)	-25 to +70			-10 to +60		
Tolerance at rated capacitance (%)	-20 to +80			-20 to +80		
Internal resistance (Ω) at 1 kHz	Size code	614	621	Size code	614	621
	Rated capacitance (F)	0.2	0.33	Rated capacitance (F)	0.2	0.33
	Internal resistance (Ω Max.)	100	100	Internal resistance (Ω Max.)	200	200
Characteristics at high and low temperature	Size code	614	621	Size code	614	621
	Percentage of capacitance change	Within ±30% of the value at 20°C	Within ±30% of the value at 20°C	Percentage of capacitance change	Within ±50% of the value at 20°C	Within ±50% of the value at 20°C
	Internal resistance	Five times or less of the value at 20°C	Five times or less of the value at 20°C	Internal resistance	Five times or less of the initial specified value	Five times or less of the value at 20°C
Endurance	Size code	614	621	Size code	614	621
	Test time and temp.	70°C 1000 hours	70°C 500 hours	Test time and temp.	60°C 1000 hours	60°C 500 hours
	Percentage of capacitance change	Within ±30% of the initial measured value	Within ±30% of the initial measured value	Percentage of capacitance change	Within ±30% of the initial measured value	Within ±30% of the initial measured value
	Internal resistance	1kΩ Max.	400Ω Max.	Internal resistance	2kΩ Max.	800Ω Max.
Shelf life	Same as endurance.			Same as endurance.		
Applicable standards	Conforms to JIS C5160 - 1 (IEC 6239 - 1)					

Outline Drawing



Recommended land pattern size



※Please consult with us about other terminal form.

Part numbering system (example : 614, 2.5V0.2F, terminal shaped : H2)					
DS	—	2R5	H	204	T614 — H2 L
Series code	Max. operating voltage symbol	Rated capacitance symbol	Additional symbol	Terminal shaped	Taping symbol

Part number is refer to following table.

Part numbering system (example:621, 3.3V0.33F, terminal shaped:H)					
DSK	—	3R3	H	334	U — H L
Series code	Max. operating voltage symbol	Rated capacitance symbol	Additional symbol	Terminal shaped	Taping symbol

Part number is refer to following table.

Standard Ratings

Max. operating voltage (V)	Rated capacitance (F)	ELNA Parts No.	φD×L (mm)
2.5	0.2	DS-2R5H204T614-H2L	6.8×1.4
3.3	0.2	DSK-3R3H204T614-H2L	6.8×1.4
2.5	0.33	DS-2R5H334U-HL	6.8×2.1
3.3	0.33	DSK-3R3H334U-HL	6.8×2.1

* Soldering conditions are described on Individual page.

NOTE : Design, Specifications are subject to change without notice.
It is recommended that you shall obtain technical specifications from ELNA to ensure that the component is suitable for your use.

CAT.No.2021/2022E

Standard, Large Capacitance Type Capacitors

GREEN
CAP

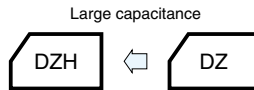
60°C
70°C

2.5V
2.7V



Marking color : White print on a black sleeve

- Environmentally Friendly : without environmentally hazardous substances such as Cd or Pb.
- Unlike batteries, excellent charge and discharge characteristics with no chemical reactions.

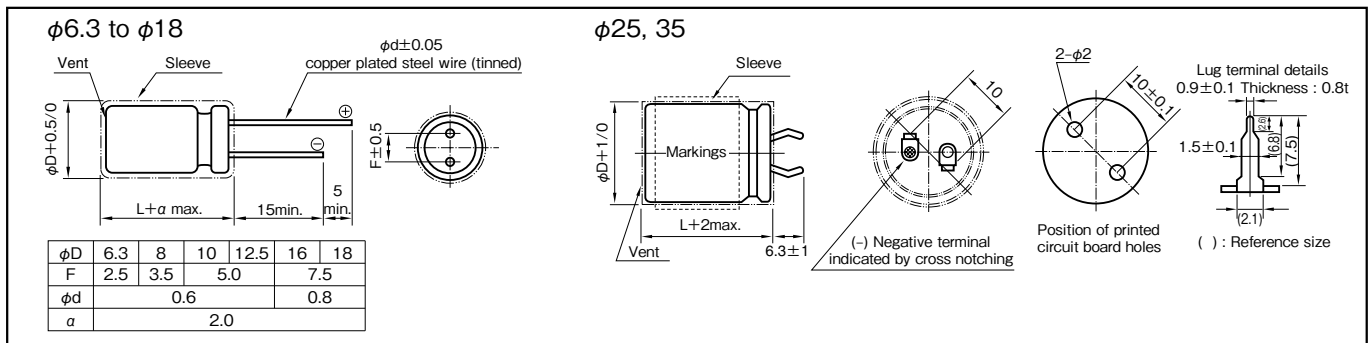


Specifications

Item	Performance	
Series name	Series DZ	Series DZH
Category temperature range (°C)	-25 to +70	-25 to +60
Tolerance at rated capacitance (%)	-20 to +80	-20 to +80
Internal resistance at 1kHz	Refer to the following page	
Characteristics at high and low temperature	Percentage of capacitance change	Within ±30% of the value at 20°C
	Internal resistance	Five times or less of the value at 20°C
Endurance	Test temperature	70°C
	Test time	1000 hours
	Percentage of capacitance change	Within ±30% of the initial measured value
	Internal resistance	Four times or less of the initial specified value
Shelf life	Same as endurance	
	Same as endurance	
Applicable standards	Conforms to JIS C5160 - 1 (IEC 6239 - 1)	

Outline Drawing

Unit : mm



Part numbering system (example : 2.5V10F)

DZ	—	2R5	D	106	(Z6)(S)	T	—	□
Series code		Max. operating voltage symbol		Rated capacitance symbol	Casing symbol			Taping (Forming) symbol

Part number is refer to the following page.

Standard Ratings (Series DZ 2.5V)

Max. operating voltage (V)	Rated capacitance (F)	Max. Leakage Current (mA) after 24h	ELNA Parts No.	φD × L (mm)	Internal resistance (Ω max.) at 1kHz	Internal resistance (mΩ) at 1kHz (measurement value)
2.5	1	0.1	DZ-2R5D105F4T	6.3 × 14	1.0	400
2.5	1	0.1	DZ-2R5D105G3T	8 × 12	1.0	200
2.5	2.7	0.2	DZ-2R5D275G5ST	8 × 20	0.5	150
2.5	3.3	0.2	DZ-2R5D335H5T	10 × 20	0.3	90
2.5	4.7	0.3	DZ-2R5D475H5T	10 × 20	0.2	80
2.5	5.6	0.3	DZ-2R5D565H5T	10 × 20	0.2	70
2.5	6.8	0.4	DZ-2R5D685H6T	10 × 25	0.2	60
2.5	10	0.5	DZ-2R5D106H8T	10 × 35	0.2	40
2.5	10	0.5	DZ-2R5D106Z6ST	12.5 × 25	0.2	40
2.5	15	0.7	DZ-2R5D156Z8ST	12.5 × 35	0.2	35
2.5	15	0.7	DZ-2R5D156J5T	16 × 20	0.2	35
2.5	22	0.8	DZ-2R5D226J6T	16 × 25	0.2	30
2.5	33	0.8	DZ-2R5D336J8T	16 × 35.5	0.2	30
2.5	40	0.8	DZ-2R5D406K9T	18 × 40	0.2	30
2.5	50	1.0	DZ-2R5D506T	25 × 40	0.08	20
2.5	100	1.0	DZ-2R5D107S37T	25 × 50	0.08	15
2.5	200	2.0	DZ-2R5D207S57T	35 × 50	0.08	15

We tailor packaged product in series and parallel arrangements according to voltage and capacitance as required.

Standard Ratings (Series DZ 2.7V)

Max. operating voltage (V)	Rated capacitance (F)	Max. Leakage Current (mA) after 24h	ELNA Parts No.	φD × L (mm)	Internal resistance (Ω max.) at 1kHz	Internal resistance (mΩ) at 1kHz (measurement value)
2.7	1	0.2	DZ-2R7D105F4T	6.3 × 14	1.0	400
2.7	1	0.2	DZ-2R7D105G3T	8 × 12	1.0	200
2.7	2.7	0.3	DZ-2R7D275G5ST	8 × 20	0.5	150
2.7	3.3	0.3	DZ-2R7D335H5T	10 × 20	0.3	130
2.7	4.7	0.4	DZ-2R7D475H5T	10 × 20	0.2	80
2.7	5.6	0.4	DZ-2R7D565H5T	10 × 20	0.2	70
2.7	6.8	0.5	DZ-2R7D685H6T	10 × 25	0.2	60
2.7	10	0.6	DZ-2R7D106H8T	10 × 35	0.2	40
2.7	10	0.6	DZ-2R7D106Z6ST	12.5 × 25	0.2	40
2.7	15	0.8	DZ-2R7D156Z8ST	12.5 × 35	0.2	35
2.7	15	0.8	DZ-2R7D156J6T	16 × 25	0.2	35
2.7	22	1.0	DZ-2R7D226J7T	16 × 31.5	0.2	30
2.7	33	1.0	DZ-2R7D336J9T	16 × 40	0.2	30

We tailor packaged product in series and parallel arrangements according to voltage and capacitance as required.

Standard Ratings (Series DZH 2.5V)

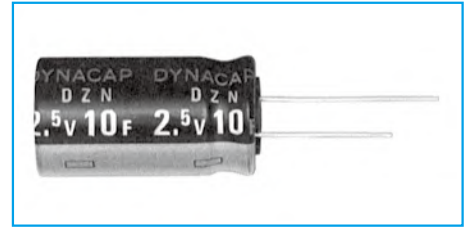
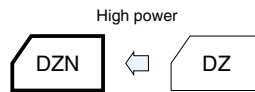
Max. operating voltage (V)	Rated capacitance (F)	Max. Leakage Current (mA) after 24h	ELNA Parts No.	φD × L (mm)	Internal resistance (Ω max.) at 1kHz	Internal resistance (mΩ) at 1kHz (measurement value)
2.5	22	0.8	DZH-2R5D226Z8ST	12.5 × 35	0.2	55
2.5	50	1.0	DZH-2R5D506K9T	18 × 40	0.08	30
2.5	100	2.0	DZH-2R5D107S35T	25 × 40	0.08	20
2.5	300	5.0	DZH-2R5D307S57T	35 × 50	0.08	15

We tailor packaged product in series and parallel arrangements according to voltage and capacitance as required.

High Power Type Capacitors

GREEN CAP 70°C Low ESR 2.5V / 2.7V

- Low internal resistance allows boosting charge and heavy-current discharge. (ampere level)
- Environmentally Friendly : without environmentally hazardous substances such as Cd or Pb.
- Unlike batteries, excellent charge and discharge characteristics with no chemical reaction.



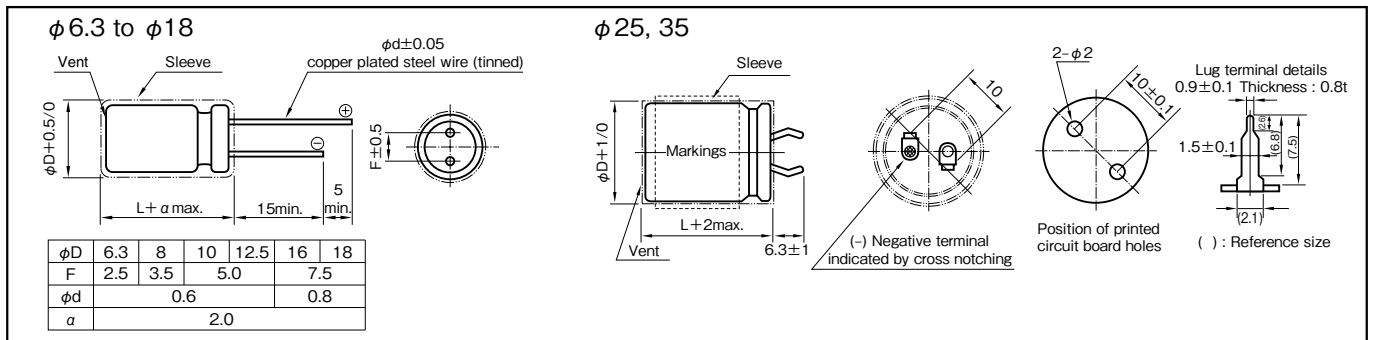
Marking color : White print on a blue sleeve

Specifications

Item	Performance	
Category temperature range (°C)	-25 to +70	
Tolerance at rated capacitance (%)	-20 to +80	
Internal resistance	Refer to the following page	
Characteristics at high and low temperature	Percentage of capacitance change	Within ±30% of the value at 20°C
	Internal resistance	Five times or less of the value at 20°C
Endurance (70°C)	Test time	1000 hours
	Percentage of capacitance change	Within ±30% of the initial measured value
	Internal resistance	Four times or less of the initial specified value
Shelf life (70°C)	Test time : 1000 hours ; Same as endurance.	
Applicable standards	Conforms to JIS C5160 - 1 (IEC 6239 - 1)	

Outline Drawing

Unit : mm



Part numbering system (example : 2.5V10F)

DZN	—	2R5	D	106	(Z6)(S)	T	—	□
Series code		Max. operating voltage symbol		Rated capacitance symbol	Casing symbol			Taping (Forming) symbol

Part number is refer to the following page.

Standard Ratings (Series DZN 2.5V)

Max. operating voltage (V)	Rated capacitance (F)	Max. Leakage Current (mA) after 24h	ELNA Parts No.	φD × L (mm)	Internal resistance (Ω max.) at 1kHz	Internal DC resistance (mΩ Max.)
2.5	1	0.1	DZN-2R5D105F4T	6.3 × 14	0.4	1500
2.5	1	0.1	DZN-2R5D105G3T	8 × 12	0.3	1000
2.5	2.7	0.2	DZN-2R5D275G5ST	8 × 20	0.3	500
2.5	3.3	0.2	DZN-2R5D335H5T	10 × 20	0.1	400
2.5	4.7	0.3	DZN-2R5D475H5T	10 × 20	0.1	400
2.5	5.6	0.3	DZN-2R5D565H5T	10 × 20	0.1	350
2.5	6.8	0.4	DZN-2R5D685H6T	10 × 25	0.1	300
2.5	10	0.5	DZN-2R5D106H8T	10 × 35	0.1	200
2.5	10	0.5	DZN-2R5D106Z6ST	12.5 × 25	0.1	200
2.5	15	0.7	DZN-2R5D156Z8ST	12.5 × 35	0.1	150
2.5	15	0.7	DZN-2R5D156J5T	16 × 20	0.1	150
2.5	22	0.8	DZN-2R5D226J6T	16 × 25	0.1	120
2.5	33	0.8	DZN-2R5D336J8T	16 × 35.5	0.1	100
2.5	40	0.8	DZN-2R5D406K9T	18 × 40	0.1	75
2.5	50	1.0	DZN-2R5D506T	25 × 40	0.03	60
2.5	100	1.0	DZN-2R5D107S37T	25 × 50	0.03	50
2.5	200	2.0	DZN-2R5D207S57T	35 × 50	0.03	40

We tailor packaged product in series and parallel arrangements according to voltage and capacitance as required.

Standard Ratings (Series DZN 2.7V)

Max. operating voltage (V)	Rated capacitance (F)	Max. Leakage Current (mA) after 24h	ELNA Parts No.	φD × L (mm)	Internal resistance (Ω max.) at 1kHz	Internal DC resistance (mΩ Max.)
2.7	1	0.2	DZN-2R7D105F4T	6.3 × 14	0.4	1500
2.7	1	0.2	DZN-2R7D105G3T	8 × 12	0.3	1000
2.7	2.7	0.3	DZN-2R7D275G5ST	8 × 20	0.3	500
2.7	3.3	0.3	DZN-2R7D335H5T	10 × 20	0.2	470
2.7	4.7	0.4	DZN-2R7D475H5T	10 × 20	0.1	400
2.7	5.6	0.4	DZN-2R7D565H5T	10 × 20	0.1	350
2.7	6.8	0.5	DZN-2R7D685H6T	10 × 25	0.1	300
2.7	10	0.6	DZN-2R7D106H8T	10 × 35	0.1	200
2.7	10	0.6	DZN-2R7D106Z6ST	12.5 × 25	0.1	200
2.7	15	0.8	DZN-2R7D156Z8ST	12.5 × 35	0.1	150
2.7	15	0.8	DZN-2R7D156J6T	16 × 25	0.1	150
2.7	22	1.0	DZN-2R7D226J7T	16 × 31.5	0.1	120
2.7	33	1.0	DZN-2R7D336J9T	16 × 40	0.1	100

We tailor packaged product in series and parallel arrangements according to voltage and capacitance as required.

High Power, For Low Temperature Type Capacitors

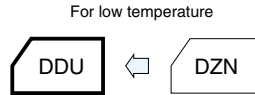
GREEN CAP

70°C

2.7V

For -40°C

- For Low Temperature (-40°C).
- Environmentally Friendly : without environmentally hazardous substances such as Cd or Pb.
- Unlike batteries, excellent charge and discharge characteristics with no chemical reaction.



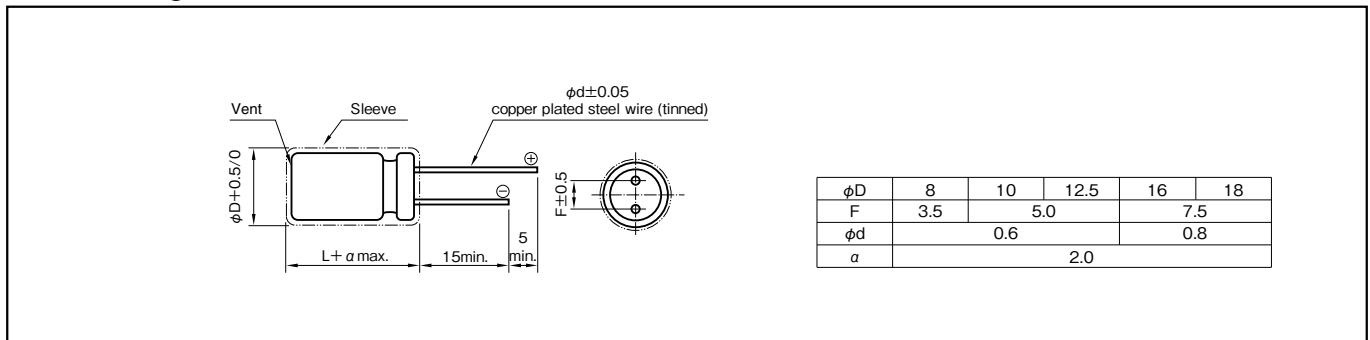
Marking color : White print on a brown sleeve

Specifications

Item	Performance	
Category temperature range (°C)	-40 to +70	
Tolerance at rated capacitance (%)	-20 to +20	
Internal resistance	Refer to the Standard Ratings	
Characteristics at high and low temperature	Percentage of capacitance change	Within ±30% of the value at 20°C
	Internal resistance	Three times or less of the value at 20°C
Endurance (70°C)	Test time	1000 hours
	Percentage of capacitance change	Within ±30% of the initial measured value
	Internal resistance	Three times or less of the initial specified value
Shelf life (70°C)	Test time : 1000 hours ; same as endurance.	
Applicable standards	Conforms to JIS C5160 - 1 (IEC 6239 - 1)	

Outline Drawing

Unit : mm



Part numbering system (example : 2.7V10F)

DDU	—	2R7	D	106	H7	T	—	
Series code		Max. operating voltage symbol		Rated capacitance symbol	Casing symbol			Taping (Forming) symbol

Part number is refer to the following table.

Standard Ratings

Max. operating voltage (V)	Rated capacitance (F)	Max. Leakage Current (mA) after 24h	ELNA Parts No.	φD × L (mm)	Internal resistance (mΩ max.) at 1kHz	Internal DC resistance (mΩ Max.)
2.7	3.3	0.3	DDU-2R7D335G5T	8 × 20	60	180
2.7	6.8	0.5	DDU-2R7D685H5T	10 × 20	50	100
2.7	10	0.6	DDU-2R7D106H7T	10 × 30	30	65
2.7	15	0.8	DDU-2R7D156Z6T	12.5 × 25	25	50
2.7	25	1.0	DDU-2R7D256J6T	16 × 25	17	35
2.7	33	1.0	DDU-2R7D336J7T	16 × 31.5	13	25
2.7	50	1.5	DDU-2R7D506K9T	18 × 40	10	21

We tailor packaged product in series and parallel arrangements according to voltage and capacitance as required.

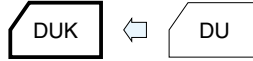
NOTE : Design, Specifications are subject to change without notice.
It is recommended that you shall obtain technical specifications from ELNA to ensure that the component is suitable for your use.

High Power, For Low Temperature and High Voltage Tolerance Type Capacitors

GREEN CAP	65°C 85°C	3.0V 2.5V	For -40°C
--------------	--------------	--------------	--------------

- For Low Temperature (-40°C), High voltage tolerant (3.0V guaranteed).
- Environmentally Friendly ; without environmentally hazardous substances such as Cd or Pb.
- Unlike batteries, excellent charge and discharge characteristics with no chemical reaction.

High Voltage, High Temperature



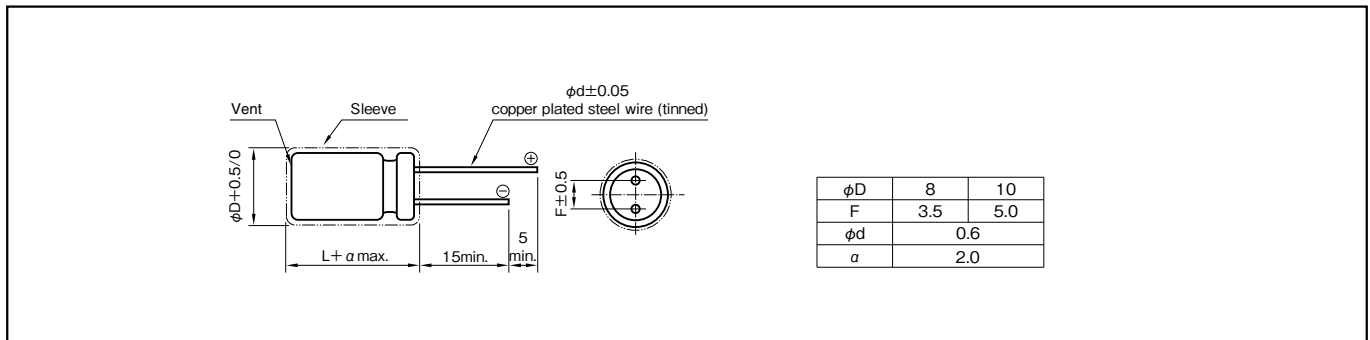
Marking color : White print on a brown sleeve

Specifications

Item	Performance																					
Category temperature range (°C)	-40 to +65																					
Expansion category temperature range (°C)	-40 to +85 (Applied voltage: 2.5 V or less)																					
Tolerance at rated capacitance (%)	-20 to +20																					
Internal resistance	Refer to the Standard Ratings																					
Characteristics at high and low temperature	Percentage of capacitance change	Within ±30% of the value at 20°C																				
	Internal resistance	Three times or less of the value at 20°C																				
Endurance	<table border="1"> <tr><td>Test temperature</td><td>65°C</td></tr> <tr><td>Test voltage</td><td>3.0V</td></tr> <tr><td>Test time</td><td>1000 hours</td></tr> <tr><td>Percentage of capacitance change</td><td>Within ±30% of the initial measured value</td></tr> <tr><td>Internal resistance</td><td>Three times or less of the initial specified value</td></tr> </table>	Test temperature	65°C	Test voltage	3.0V	Test time	1000 hours	Percentage of capacitance change	Within ±30% of the initial measured value	Internal resistance	Three times or less of the initial specified value	<table border="1"> <tr><td>Test temperature</td><td>85°C</td></tr> <tr><td>Test voltage</td><td>2.5V</td></tr> <tr><td>Test time</td><td>1000 hours</td></tr> <tr><td>Percentage of capacitance change</td><td>Within ±30% of the initial measured value</td></tr> <tr><td>Internal resistance</td><td>Three times or less of the initial specified value</td></tr> </table>	Test temperature	85°C	Test voltage	2.5V	Test time	1000 hours	Percentage of capacitance change	Within ±30% of the initial measured value	Internal resistance	Three times or less of the initial specified value
	Test temperature	65°C																				
Test voltage	3.0V																					
Test time	1000 hours																					
Percentage of capacitance change	Within ±30% of the initial measured value																					
Internal resistance	Three times or less of the initial specified value																					
Test temperature	85°C																					
Test voltage	2.5V																					
Test time	1000 hours																					
Percentage of capacitance change	Within ±30% of the initial measured value																					
Internal resistance	Three times or less of the initial specified value																					
Shelf life (85°C)	Test time : 1000hours ; same as endurance.																					
Applicable standards	Conforms to JIS C5160 - 1 (IEC 6239 - 1)																					

Outline Drawing

Unit : mm



Part numbering system (example : 3V10F)

DUK	—	3	D	106	H7	T	—	
Series code		Max. operating voltage symbol		Rated capacitance symbol	Casing symbol			Taping (Forming) symbol

Part number is refer to the following table.

Standard Ratings

Max. operating voltage (V)	Rated capacitance (F)	Max. Leakage Current (mA) after 24h	ELNA Parts No.	φD × L (mm)	Internal resistance (mΩ max.) at 1kHz	Internal DC resistance (mΩ Max.)
3	1	0.2	DUK-3D105G3T	8 × 12	300	1500
3	3.3	0.3	DUK-3D335G5T	8 × 20	90	500
3	6.8	0.5	DUK-3D685H5T	10 × 20	70	250
3	10	0.6	DUK-3D106H7T	10 × 30	55	150
3	15	0.8	DUK-3D156H9T	10 × 40	40	120

We tailor packaged product in series and parallel arrangements according to voltage and capacitance as required.

NOTE : Design, Specifications are subject to change without notice.
It is recommended that you shall obtain technical specifications from ELNA to ensure that the component is suitable for your use.

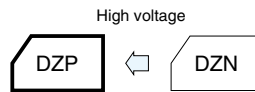
Packed Type Capacitors

GREEN CAP

70°C

5.0V

- High-voltage capacitor which connected DZN in series.
- Environmentally Friendly : without environmentally hazardous substances such as Cd or Pb.
- Unlike batteries, excellent charge and discharge characteristics with no chemical reaction.



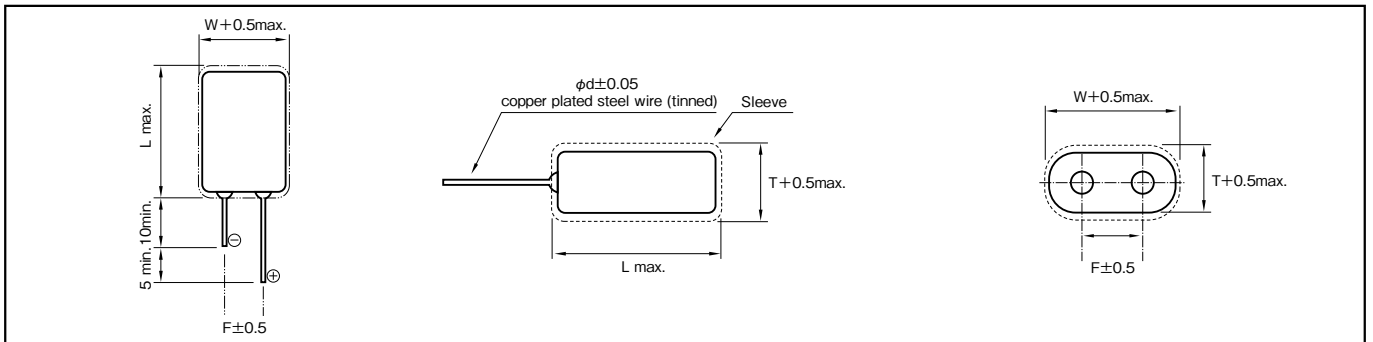
Marking color : White print on a blue sleeve

Specifications

Item	Performance	
Category temperature range (°C)	-25 to +70	
Tolerance at rated capacitance (%)	-20 to +80	
Internal resistance at 1 kHz	Refer to the Standard Ratings	
Characteristics at high and low temperature	Percentage of capacitance change	Within ±30% of the value at 20°C
	Internal resistance	Five times or less of the value at 20°C
Endurance (70°C)	Test time	1000 hours
	Percentage of capacitance change	Within ±30% of the initial measured value
	Internal resistance	Four times or less of the initial specified value
Shelf life (70°C)	Test time : 1000hours ; same as endurance.	
Applicable standards	Conforms to JIS C5160 - 1 (IEC 6239 - 1)	

Outline Drawing

Unit : mm



Part numbering system (example : 5.0V0.47F)

DZP	—	5	V	474	G3 ()	NT (S1)	□
Series code		Max. operating voltage symbol		Rated capacitance symbol	Casing symbol		Additional code

Part number is refer to the following table.

Standard Ratings

Max. operating voltage (V)	Rated capacitance (F)	Max. Leakage Current (mA) after 24h	ELNA Parts No.	T × W × L (mm)	φd	F	Internal resistance (Ω max.) at 1kHz	Internal resistance (mΩ) at 1kHz (measurement value)
5.0	0.47	0.2	DZP-5V474G3NTS1A	8.5 × 17.0 × 16.0	0.6	5.1	0.6	300
			DZP-5V474G3NTS1B			12.1		
5.0	1.0	0.3	DZP-5V105G5SNTA	8.5 × 17.0 × 24.0	0.6	5.1	0.6	240
			DZP-5V105G5SNTB			12.1		
5.0	1.5	0.4	DZP-5V155G5SNTA	8.5 × 17.0 × 24.0	0.6	5.1	0.6	200
			DZP-5V155G5SNTB			12.1		
5.0	3.3	0.8	DZP-5V335H6NTS1A	10.5 × 21.0 × 29.0	0.6	5.5	0.2	100
			DZP-5V335H6NTS1B			15.5		
5.0	4.7	1.0	DZP-5V475H8NTS1A	10.5 × 21.0 × 39.0	0.6	5.5	0.2	70
			DZP-5V475H8NTS1B			15.5		

NOTE : Design, Specifications are subject to change without notice.
It is recommended that you shall obtain technical specifications from ELNA to ensure that the component is suitable for your use.

1 Description of Electric Double Layer Capacitor

1-1 Basic Concepts

Generally capacitors are constructed with a dielectric placed between opposed electrodes, functioning as capacitors by accumulating charges in the dielectric material. Aluminum electrolytic and tantalum electrolytic capacitors, for example, use an aluminum oxide film and a tantalum oxide film as the dielectric, respectively.

On the other hand, Electric Double Layer Capacitors have no visible dielectric in a general sense but utilize the state referred to as the electric double layer, which is developed naturally on the interface between substances, as the function of dielectric.

1-2 Operating Principle

The Electric Double Layer represents the state in which positive and negative charges exist at a very short distance on the boundary where contact occurs between two different substances (e.g. solid and liquid). By externally applying a voltage below a certain voltage to the boundary, higher charges can be accumulated. Accordingly, charge and discharge of electric double layer capacitors utilize adsorption and desorption of ions to the ionic adsorption layer (Electric Double Layer) formed on the electrode surface of the activated carbon used for electrodes.

Applying DC voltage externally across the electrodes of the Electric Double Layer allows almost no passage of current up to a certain voltage, exhibiting a condition like insulation.

However, the application of voltages exceeding the certain voltage causes electrolysis to occur in the electrolyte, resulting in abrupt passage of current.

This voltage determines the resistance of voltage of an Electric Double Layer Capacitor. We use an organic electrolyte and its standard electrolysis occurs at the voltage of about 2.5 to 3V.

1-3 Advantages and Disadvantages of Electric Double Layer Capacitor

[Advantages]

- (1) Small size and capacitance in farads (F) available by utilizing the activated carbon electrode with a large surface area
- (2) No special charging circuit and constrains during discharge are required.
- (3) No effect on the life through overcharging and overdischarging
- (4) Environmentally clean energy

[Disadvantage]

- (1) The life is limited due to the use of electrolyte.
- (2) Series connection is required when used with a low resistance of voltage at a high voltage.
- (3) Cannot be used in AC circuits due to high internal resistance unlike aluminum electrolytic capacitors.

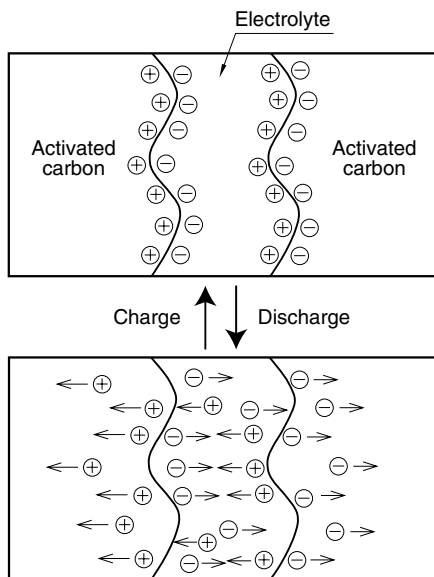


Fig.1 Schematic of Principle of Electric Double Layer Capacitor

NOTE : Design, Specifications are subject to change without notice.
It is recommended that you shall obtain technical specifications from ELNA to ensure that the component is suitable for your use.

1-4 Construction of DYNACAP

The series which consists of coin cells is similar to that of coin-type batteries as shown in Fig.2. DYNACAP contains a single cell or two to three cells stacked in series.

Since these series have a large electrode-to-electrode distance and a small electrode area exhibiting a large internal resistance, they are suitable for the memory backup application that involves microcurrent discharge.

The cylindrical cell construction as seen in the DZ and DZN series has the construction similar to that of aluminum electrolytic capacitors as shown in Fig.3.

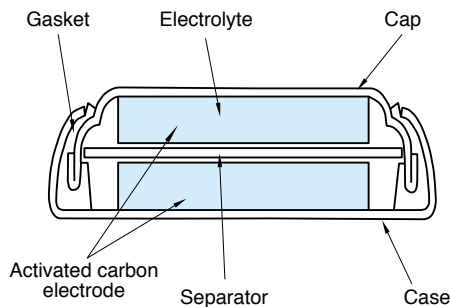


Fig.2 Example of Basic Construction of Coin Cell

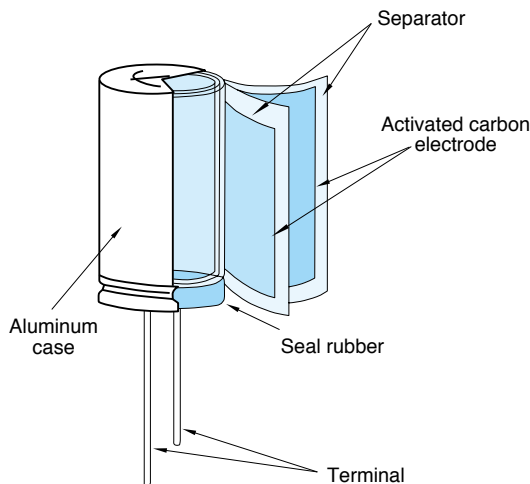


Fig.3 Example of Basic Construction of Cylindrical Cell

These series have a small electrode-to-electrode distance, allowing a large electrode area because of the winding structure. This decreases the internal resistance, which is primary suitable for applications requiring high-power such as motor drive and LED lighting that need high currents.

2 Description of Life Expectancy

Generally, the life of Electric Double Layer Capacitors is largely affected by the ambient temperature.

The expected life is approximated by the equation as shown below:

$$L = L_0 \times 2^{\left(\frac{T_0 - T}{10} \right)}$$

Where,

- L : Expected lifetime at temperature T
- L₀ : Lifetime at temperature T₀
- T : Expected working temperature
- T₀ : Upper category temperature

Note that the above equation does not cover charge and discharge. In the case of charge and discharge, heat generation occurs inside a capacitor; the temperature rise by this heat generation must also be considered.

The expected life time is a maximum as a guide in terms of deterioration of the sealant.

Coin cell type : about ten years

Cylindrical type : about fifteen years

NOTE : Design, Specifications are subject to change without notice. It is recommended that you shall obtain technical specifications from ELNA to ensure that the component is suitable for your use.

3 Calculation Method of Discharge Time

3-1 Approximating the Discharge Time of Basic Constant Current Discharge

The discharge time at the constant current of a capacitor can be calculated by the following equation.

$$t = (C \times \Delta V) / I$$

Where,

- t : Discharge time (sec.)
- C : Capacitor capacitance (F)
- ΔV : Working voltage range (V)
- I : Discharge current (A)

As an example, we calculate the discharge time when a capacitor of the DB series 5.5V 1F is charged with 5V and discharged to 3V at a constant current of 1 mA. Since the working voltage range ΔV is 2V from 5 – 3V, $t = (1F \times 2V) / 0.001A$ from the above equation, and the discharge time can be calculated as 2,000 seconds (about 33 minutes). Note that the actual discharge time may be different because this equation does not cover the effect of the self-discharge and the IR drop by internal resistance described below.

3-2 Effect of Self-discharge at Microcurrents

When backup is made by discharge with a micro-current below some μA especially for the memory backup application and the like, the discharge time must be determined while taking into account the self-discharge as shown in Fig.4.

The value closer to the actual discharge curve is obtained by adding the voltage drop through the self-discharge determined from the voltage retention characteristic test to the discharge curve given by calculation.

Note that the value of self-discharge varies by the charge time, charging current and an ambient temperature.

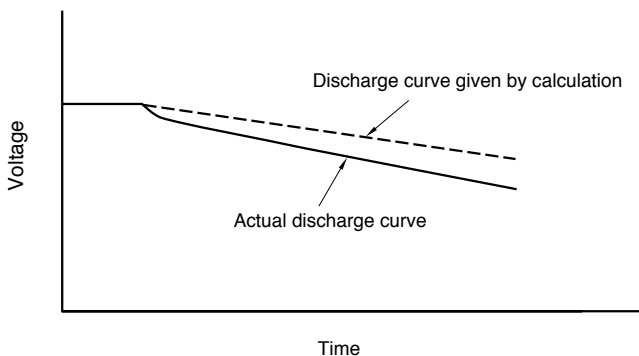


Fig.4 Example of Discharge Curve involving Self-Discharge

3-3 Effect of IR Drop at Large Currents

When a large Current discharge and a capacitor with a high internal resistance are used, the effect of IR drop by the product of the internal resistance and the current must be considered as shown in Fig.5. Moreover, the maximum discharge current of the product (coin cell series) of a memory backup use recommends below 1 mA/F (at 20 °C).

When a large current is required in a very short time, or a large instantaneous current flows at the start of discharge, the voltage drop indicated with ΔV_1 counts. However, when the discharge continues as it is, the discharge curve indicates in a manner showing a slow diffusion and then keeps a constant straight line.

We also make calculation including ΔV_2 of the intersection extending from the initial discharge and the discharge straight line section including the diffusion curve when indicating the DC internal resistance.

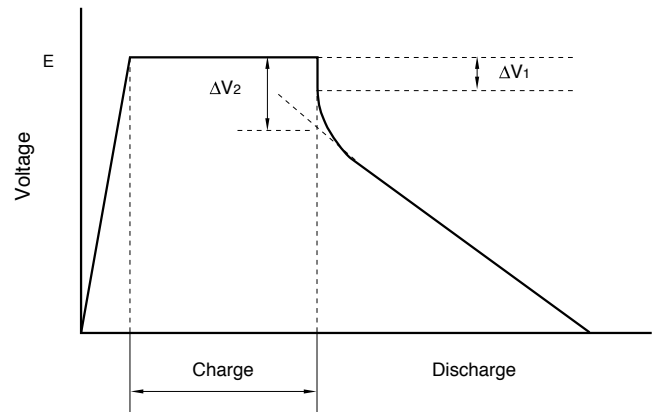


Fig.5 Example of Discharge Curve involving IR Drop

Due to IR drop, the shape of the discharge curve varies by the internal resistance and ambient temperature for each series.

NOTE : Design, Specifications are subject to change without notice.
It is recommended that you shall obtain technical specifications from ELNA to ensure that the component is suitable for your use.

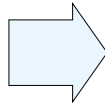
4 Series-parallel connection packaged products.

Electric Double Layer Capacitors have a low operating voltage per cell.

To deal with this, ELNA is ready to offer series packaging for high operating voltages to meet to various needs.

Please consult with us on optimization and design.

Packaged item



Example of packaged item

In case of a low voltage (up to about 24 V) for the DZ and DZN series with relatively low capacitance, we are preparing simple packaged products.

No full-scale voltage equalization circuit has been equipped yet, but comparatively low cost and flexible layout can be realized.

5 Moisture-proof provision

If a electric double layer capacitor is used in a heat-and-high-humidity environment, the characteristic will deteriorate.

Please consult when using in a heat and high humidly environment.

6 Regarding Recovery Voltage

After charging and then discharging the electric double layer capacitor, and further causing short-circuit to the terminals and leave them alone, the voltage between the two terminals will rise again after some interval. This voltage is called recovery voltage.

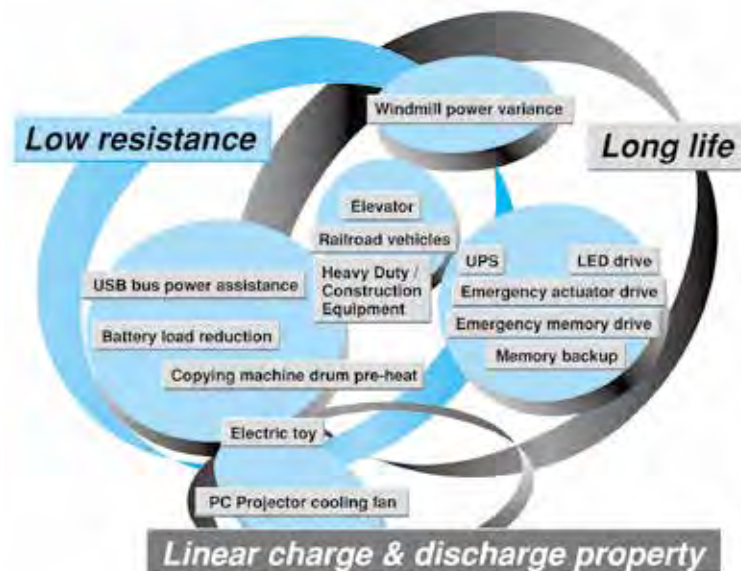
This voltage may cause the bad influence to the low-voltage driven components (CPU, memory, etc.) or damage of the capacitor with soldering.

Discharging before use is safer. It is important especially when using it by series connection.

Moreover, it is possible making the terminals in short-circuit condition at the production stage. Please consult us for adequate procedures.

7 Applications

Features & Benefits of Electric Double Layer Capacitor



NOTE : Design, Specifications are subject to change without notice.
It is recommended that you shall obtain technical specifications from ELNA to ensure that the component is suitable for your use.

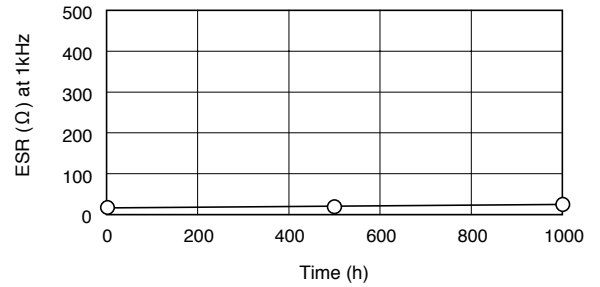
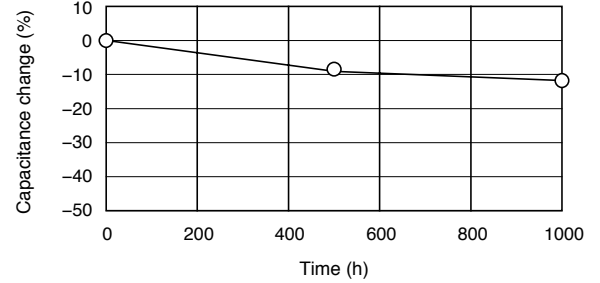
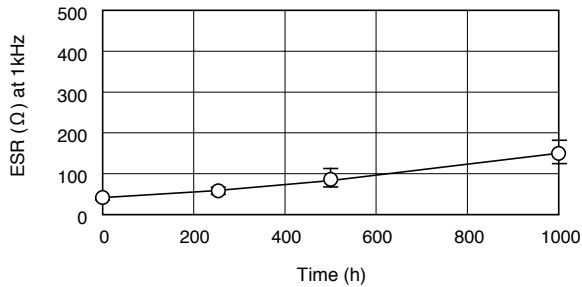
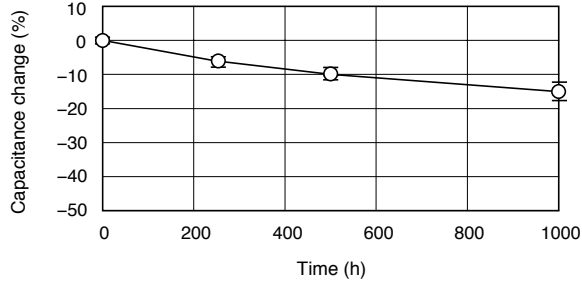
7 Electric Characteristics Data

7-1 Coin type for memory back-up

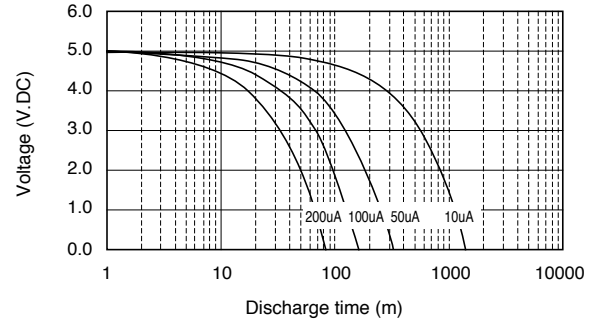
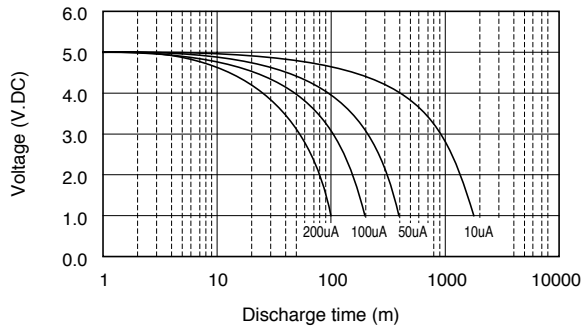
DYNACAP Series DXJ
5.5V 0.33F/DXJ-5R5H334U $\phi 11.5 \times 5L$ (mm)

DYNACAP Series DHL
5.5V 0.22F/DHL-5R5D224T $\phi 13.5 \times 9.5L$ (mm)

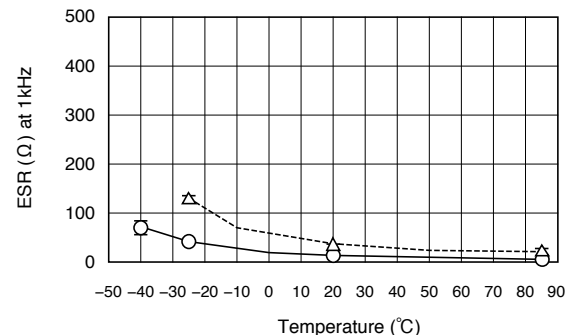
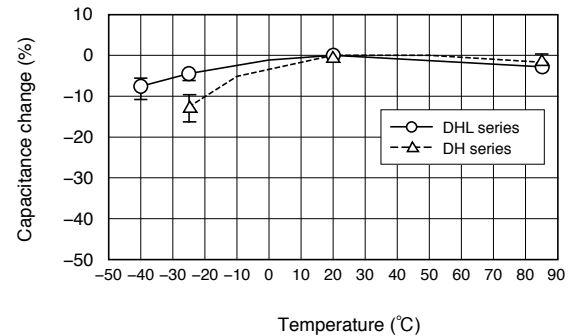
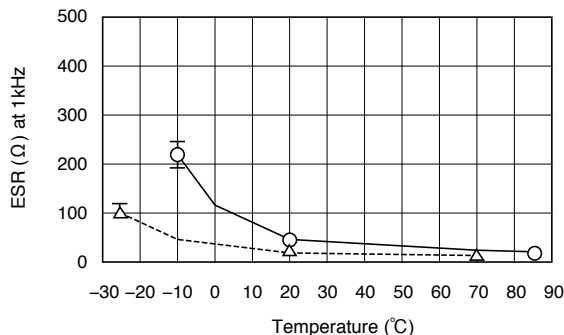
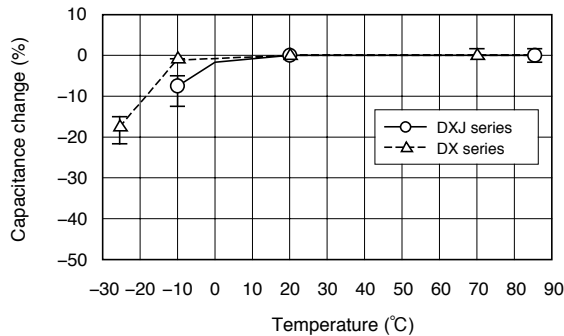
■ Endurance (85°C 5.5V.DC)



■ Discharge characteristics



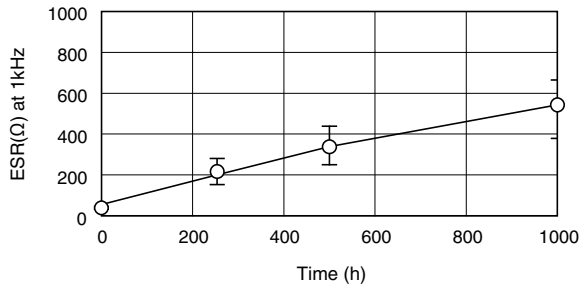
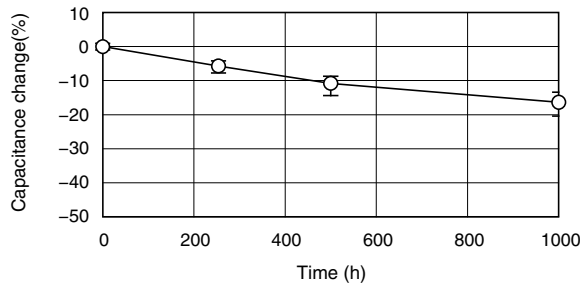
■ Characteristics at high and low temperature



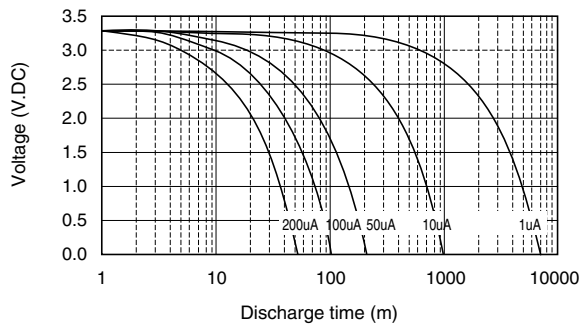
NOTE : Design, Specifications are subject to change without notice.
It is recommended that you shall obtain technical specifications from ELNA to ensure that the component is suitable for your use.

DYNACAP Series DSK
3.3V 0.2F/DSK-3R3H204T614-H2L ϕ 6.8X1.4 L (mm)

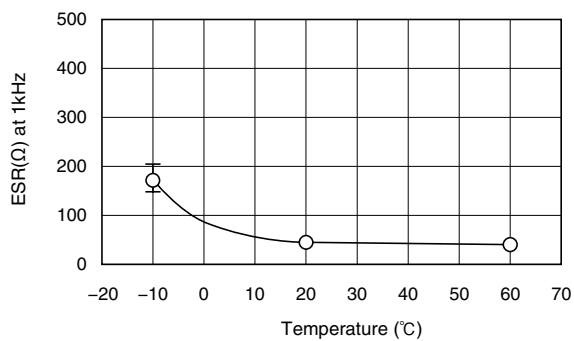
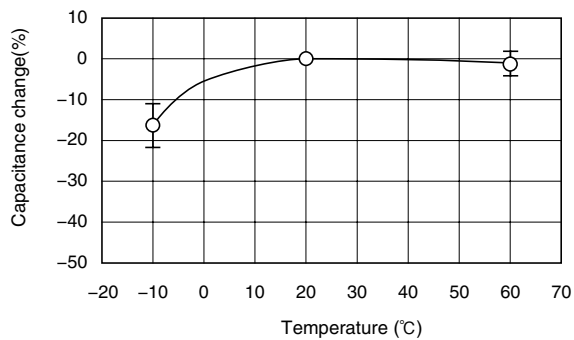
■ Endurance (60°C 3.3V.DC)



■ Discharge characteristics

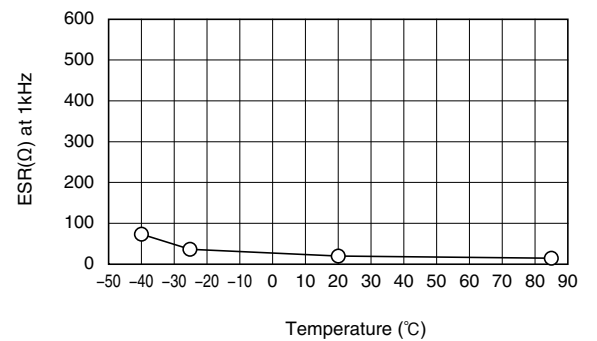
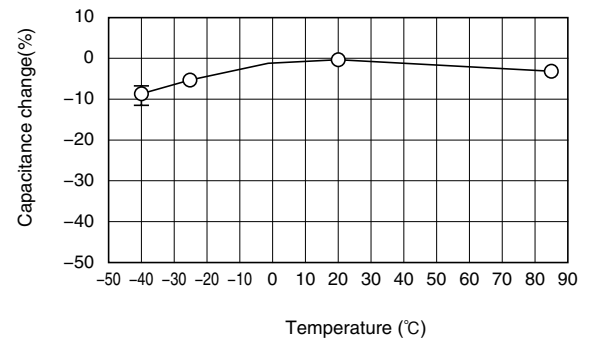
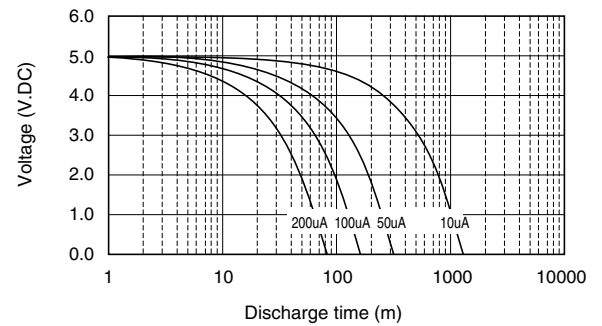
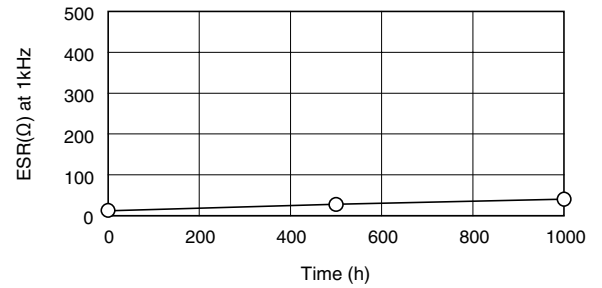
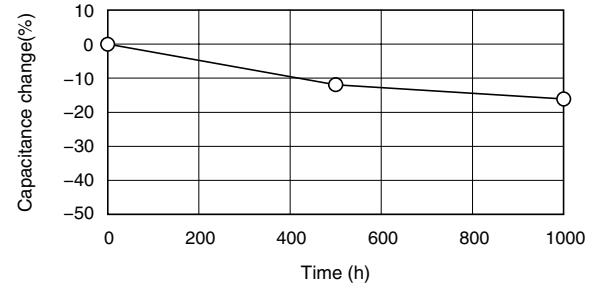


■ Characteristics at high and low temperature



DYNACAP Series DVL
5.5V 0.22F/DVL-5R5D224T-R5 ϕ 12.5X10.5L (mm)

■ Endurance (85°C 5.5V.DC)



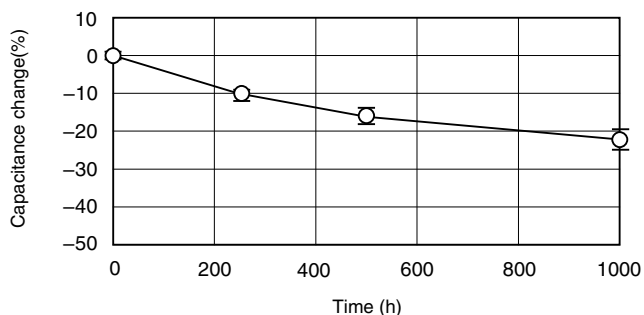
NOTE : Design, Specifications are subject to change without notice.
It is recommended that you shall obtain technical specifications from ELNA to ensure that the component is suitable for your use.

7-2 Cylindrical type for power

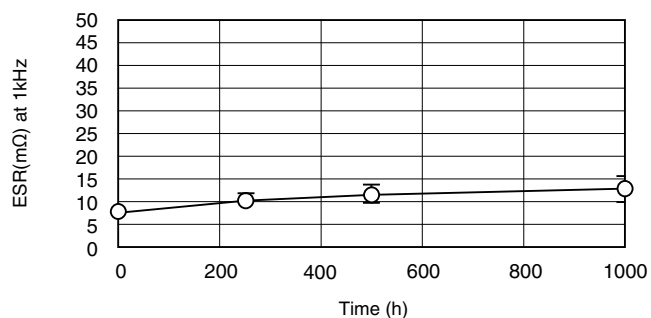
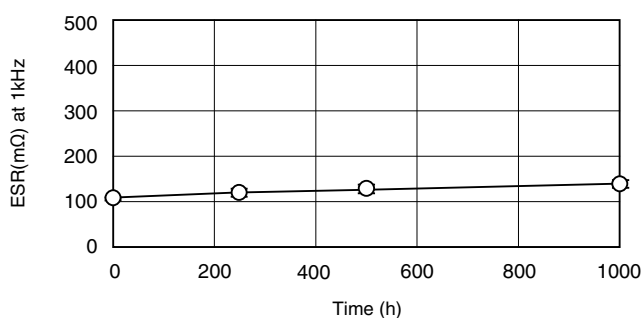
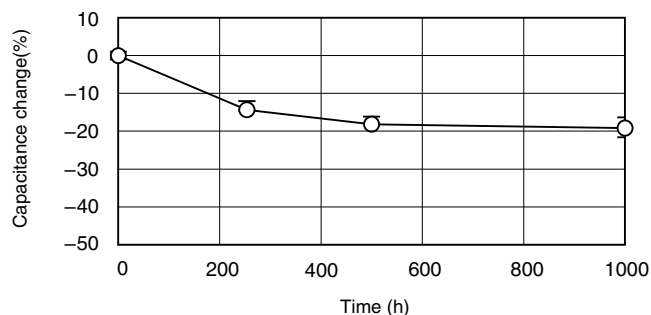
DYNACAP Series DZN
2.7V 2.7F/DZN-2R7D275G5T $\phi 8 \times 20L$ (mm)

DYNACAP Series DDU
2.7V 25F / DDU-2R7D256J6T $\phi 16 \times 25L$ (mm)

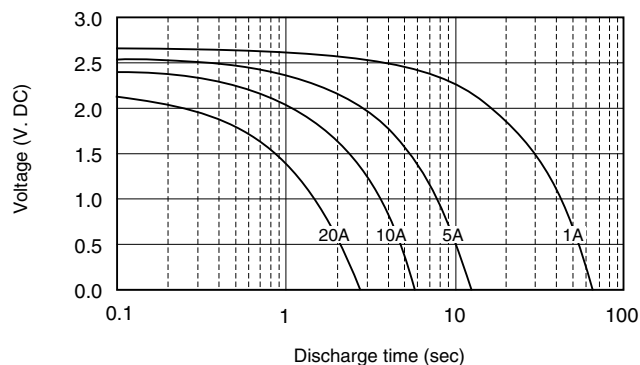
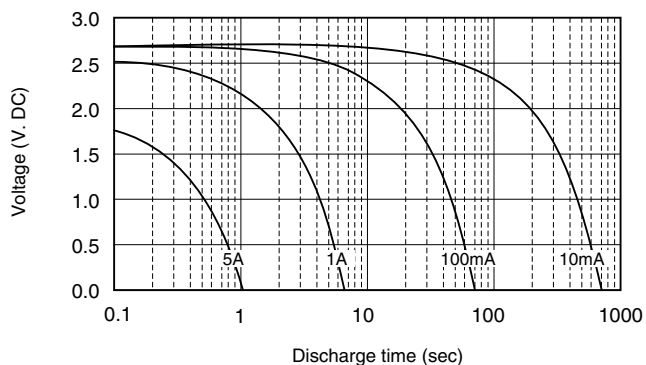
■ Endurance (70°C 2.7V.DC)



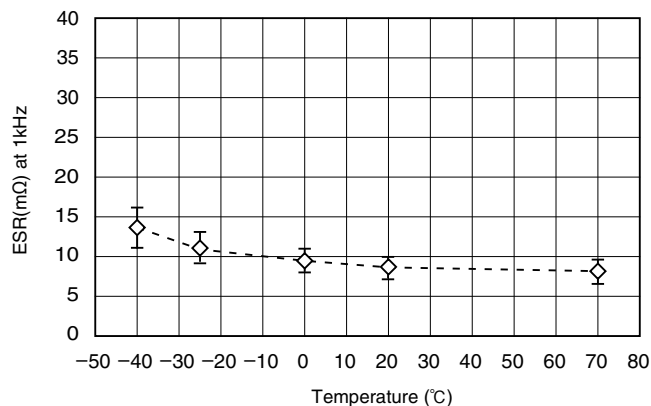
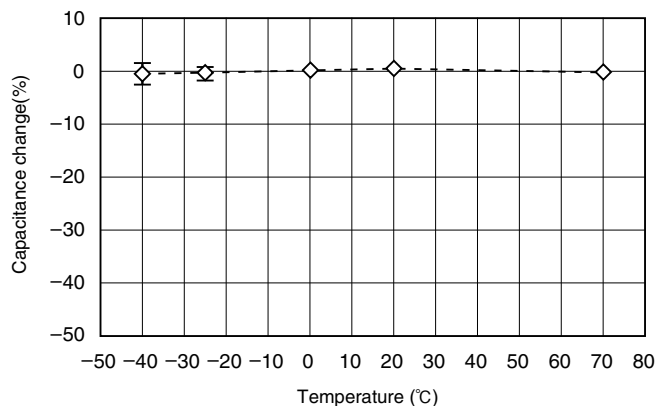
■ Endurance (70°C 2.7V.DC)



■ Discharge characteristics



■ Characteristics at high and low temperature DDU-2R7D256J6T



NOTE : Design, Specifications are subject to change without notice.
It is recommended that you shall obtain technical specifications from ELNA to ensure that the component is suitable for your use.

X-ON Electronics

Largest Supplier of Electrical and Electronic Components

Click to view similar products for [Aluminium Electrolytic Capacitors - Radial Leaded](#) category:

Click to view products by [Taiyo Yuden](#) manufacturer:

Other Similar products are found below :

[LXY50VB4.7M-5X11](#) [RFO-100V471MJ7P#](#) [ECE-A1EGE220](#) [1814181](#) [NCD681K10KVY5PF](#) [NEV1000M25EF-BULK](#) [NEV100M35DC](#)
[NEV100M63DE](#) [NEV220M25DD-BULK](#) [NEV.33M100AA](#) [NEV4700M50HB](#) [NEV.47M100AA](#) [NEVH1.0M250AB](#) [NEVH3.3M250BB](#)
[NEVH3.3M450CC](#) [KME50VB100M-8X11.5](#) [SG220M1CSA-0407](#) [ES5107M016AE1DA](#) [ESX472M16B](#) [476CKH100MSA](#) [477RZS050M](#)
[UVX1V101KPA1FA](#) [UVX1V222MHA1CA](#) [KME25VB100M-6.3X11](#) [VTL100S10](#) [VTL470S10](#) [511D336M250EK5D](#) [052687X](#) [ECE-](#)
[A1CF471](#) [EKXG451ELL820MM30S](#) [686CKR050M](#) [NRE-S560M16V6.3X7TBSTF](#) [ERZA630VHN182UP54N](#) [UPL1A331MPH](#)
[NEV1000M6.3DE](#) [NEV100M16CB](#) [NEV100M50DD-BULK](#) [NEV2200M16FF](#) [NEV220M50EE](#) [NEV2.2M50AA](#) [NEV330M63EF](#)
[NEV4700M35HI](#) [NEV4.7M100BA](#) [NEV47M16BA](#) [NEV47M50CB-BULK](#) [NEVH1.0M350AB](#) [NEVH2.2M160AB](#) [NEVH3.3M350BC](#)
[TER330M50GM](#) [477KXM035MGBWSA](#)