

Key Features 802.11b/g/n & Bluetooth

- IEEE802.11b/g/n standard conformity, BT3.0,2.1+EDR
- Low standby current (with advanced power save and sleep mode)
- Transmit speed : 11/5.5/2/1 Mbps(11b), 54/48/36/24/18/12/9/6 Mbps(11g), 150~6.5 Mbps (11n)
- Channel Number : 1 to 13 channel (11bg), 79 channel (BT)
- Interface : SDIO, UART, PCM
- Built-in EEPROM, 2G-PA, Crystal, BPF
- Security: WEP (64/128), TKIP, AES, WPA/WPA2, WAPI
- Small Outline: 9.0 x 8.8 x 1.35(Max) mm
- Package: Metal case package
- Utilizes 88W8787 IC
- RoHS Conformity

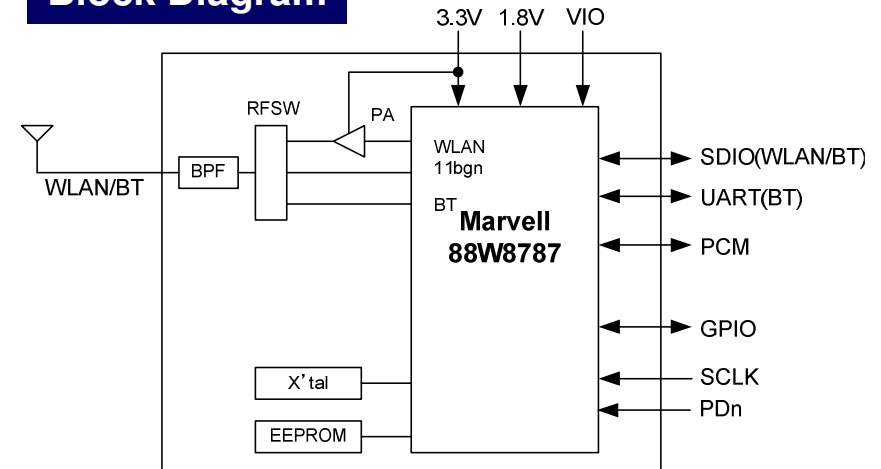
Application

- Hand Held Device

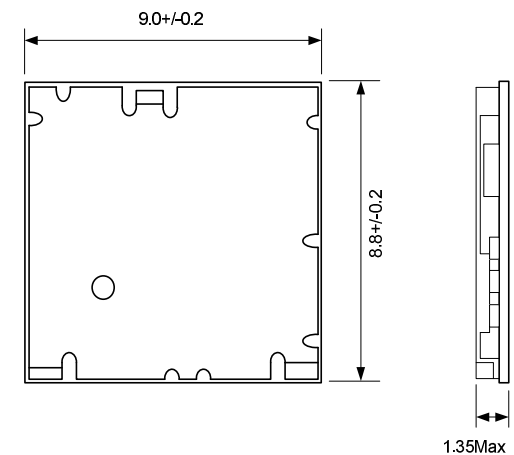
General Electrical Specification

Parameter	Description	Min.	Typ.	Max.	Units
Operation Voltage	Core_3.3V	3.0	3.3	3.6	V
	Core_1.8V	1.71	1.8	1.89	V
	VIO	1.62/2.97	1.8/3.3	1.98/3.63	V
TX Output Power (11b/g/n) (BT BR)	11b/11g/11n BT		15/12/11 5		dBm
RX Sensitivity (11b/g/n) (BT BR)	11b/11g/11n BT		-86/-72/-66 -86	-76/-65/-61 -70	dBm
TX Power Consumption	11b/11M (Duty43.4%)		395		mW
RX Power Consumption	11n/MCS7-HT40		260		mW
Power Consumption	Deep Sleep Mode VIO3.3V/VIO1.8V		2.3 / 0.7		mW
General Operation Temperature Range		-10	25	70	deg-C

Block Diagram



Outline



Unit: mm

Note: The *Bluetooth*® word mark and logos are owned by the *Bluetooth* SIG, Inc. and any use of such marks by TAIYO YUDEN CO.,LTD. is under license.

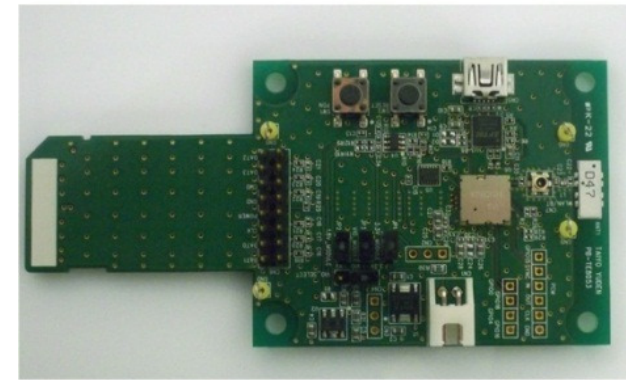
To Evaluate WLAN Module WYSBCVGXA, You Will Need WBSBCVGXA-1

WBSBCVGXA-1 is the evaluation kit for WLAN Module **WYSBCVGXA**. This kit has everything you need to evaluate the performance of this module.

WBSBCVGXA-1 Kit includes:

No.	Item	Description	Qty
1	WBSBCVGXA-1	Evaluation Board for WLAN module WYSBCVGXA with SDIO interface	1
2	Red & Blue Cable	Power Supply Cable	1
3	CD	Evaluation Software	1

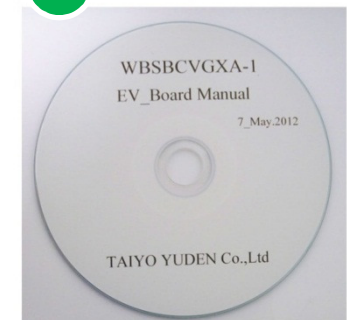
1 WBSBCVGXA-1



2 Red & Blue Cable



3 CD



X-ON Electronics

Largest Supplier of Electrical and Electronic Components

Click to view similar products for [Multiprotocol Development Tools](#) category:

Click to view products by [Taiyo Yuden](#) manufacturer:

Other Similar products are found below :

[CYW94343WWCD1_EVB](#) [MIKROE-2439](#) [XKC-M5T-W](#) [ATWINC3400-XPRO](#) [DEMOBOARD-T7024PGM](#) [2636](#) [Gpy](#) [STEVAL-FKI001V1](#) [8265.NGWMG.DTX1](#) [TEL0111](#) [SiPy 22 dBm](#) [SiPy 14 dBm](#) [ATWINC3400-XSTK](#) [RE-WFKIT-9260NVP](#) [2542](#) [irpi01-868](#) [irpi01-915](#) [BCM94343WWCD1_EVB](#) [INP3010](#) [INP3011](#) [ISM43340-L77-EVB](#) [ISMART43362-E](#) [ISP4520-AS-DK](#) [nRF9160-DK](#) [QPQ1906EVB-01](#) [102010129](#) [102991023](#) [107990093](#) [113990254](#) [SIMSA868C-Cloud-DKL](#) [SIMSA868-Cloud-DKL](#) [SIMSA915-Cloud-DKL](#) [SIMSA-DKL](#) [SKY66423-11EK2](#) [SKY66423-11EK1](#) [80-000535](#) [DFR0505](#) [XKC-V1T-U](#) [FiPy](#) [453-00010-K1](#) [453-00011-K1](#) [DVK-BTM431](#) [DVK-RM186-SM-01](#) [XPC270300EK](#) [MTDOT-BOX-G-868-B](#) [MTDOT-BOX-G-915-B](#) [LBEH5DU1BW-TEMP-DS-SD](#) [113030023](#) [SKY66420-11EK1](#) [SKY66420-11EK2](#)