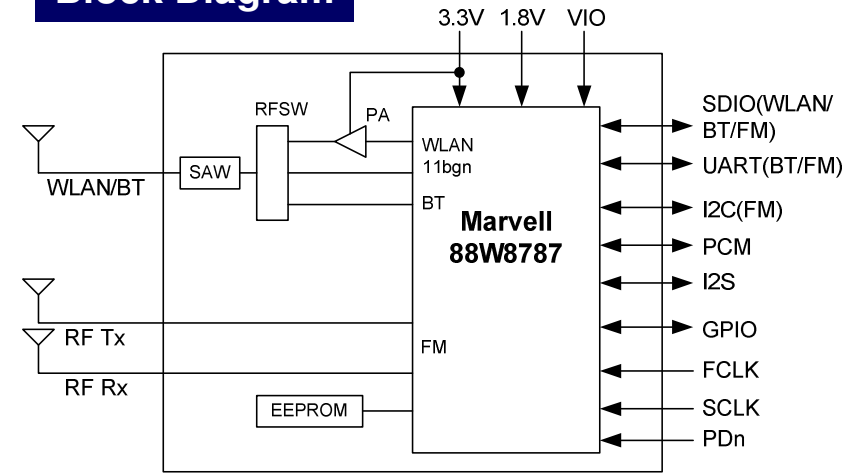


Key Features

802.11b/g/n, Bluetooth & FM Radio

- IEEE802.11b/g/n standard conformity, BT3.0, 2.1+EDR
- FM Transmitter / Receiver (US, Europe)
- Low standby current (with advanced power save and sleep mode)
- Transmit speed : 11/5.5/2/1 Mbps(11b), 54/48/36/24/18/12/9/6 Mbps(11g), 150~6.5 Mbps (11n)
- Channel Number : 1 to 13 channel (11bg), 79 channel (BT)
- Interface : SDIO, I2C, PCM, I2S
- Built-in EEPROM, 2G-PA, SAW for cellular phone
- Multi Clock support: 26, 38.4 MHz
- Security: WEP (64/128), TKIP, AES, WPA/WPA2, WAPI
- Small Outline: 8.5 x 8.0 x 1.2(Max) mm, Metal case package
- Utilizes 88W8787 IC
- RoHS Conformity

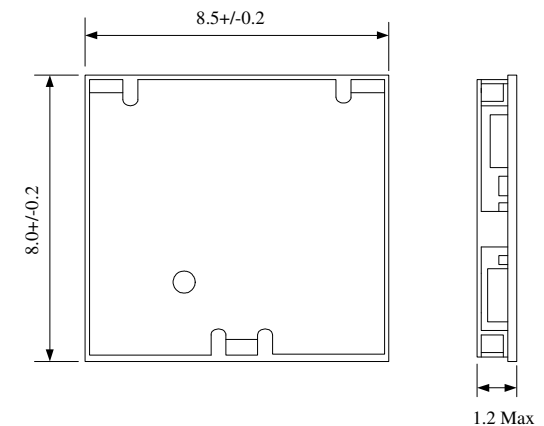
Block Diagram



General Electrical Specification

Parameter	Description	Min.	Typ.	Max.	Units
Operation Voltage	Core_3.3V	3.0	3.3	4.3	V
	Core_1.8V	1.71	1.8	1.89	V
	VIO	1.62 / 2.97	1.8 / 3.3	1.98 / 3.63	V
TX Output Power (11b/g/n) (BT BR)	11b/11g/11n BT		15 / 13 / 12 5		dBm
RX Sensitivity (11b/g/n) (BT BR)	11b/11g/11n BT		-86 / -72 / -66 -86	-76 / -65 / -61 -70	dBm
TX Power Consumption	11b/11M (Duty43.4%)		405		mW
RX Power Consumption	11n/MCS7-HT40		255		mW
Power Consumption	Deep Sleep Mode VIO3.3V/VIO1.8V		3 / 0.83		mW
FM Rx sensitivity			-112	-106	dBm
	FM TX transmitter		-10		dBm
General Operation Temperature Range		-20	25	70	deg-C

Outline



Unit: mm

Note: The *Bluetooth*® word mark and logos are owned by the *Bluetooth* SIG, Inc. and any use of such marks by TAIYO YUDEN CO.,LTD. is under license.

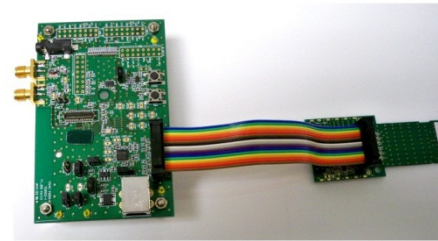
To Evaluate WLAN Module WYSBMVGX8, You Will Need WKSXXVXXX-1 and WBSBMVGX8

WKSXXVXXX-1 is the Wireless Interface Board to be connected with RF Daughter Card **WBSBMVGX8**.

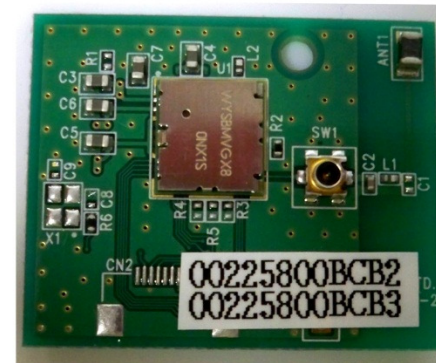
WBSBMVGX8 is the RF Daughter Card that includes WLAN Module **WYSBMVGX8**. You will need these 2 items to evaluate WLAN module **WYSBMVGX8**.

No	Item	Description	Qty
1	WKSXXVXXX-1	Wireless Interface Board (WIB) with SDIO interface (and connector to RF Daughter Card)	1
		Evaluation Software CD	1
2	WBSBMVGX8	RF Daughter Card includes WLAN Module WYSBMVGX8 (and connector to Wireless Interface Board)	1

1 WKSXXVXXX-1 includes Software CD



2 WBSBMVGX8



X-ON Electronics

Largest Supplier of Electrical and Electronic Components

Click to view similar products for [Multiprotocol Modules](#) category:

Click to view products by [Taiyo Yuden](#) manufacturer:

Other Similar products are found below :

[JODY-W263-00B](#) [NINA-W102-00B](#) [AIW-355 DQ-N01](#) [AIW-355 DQ-C01](#) [EWM-W188M201E](#) [EWM-W192K1](#) [EWM-W195M201E](#) [PCM-24S2WF-BE](#) [ATWINC3400-MR210CA122](#) [ESP32-WROVER-B](#) [ESP32-WROVER-IB](#) [INP1010-A1-ITP](#) [INP1011-A2-ITP](#) [M1003GXT00](#) [ATWINC3400-MR210CA122-T](#) [ATWINC3400-MR210CA131](#) [ATWINC3400-MR210CA131-T](#) [TWR0083](#) [RS9113-NB0-D0N](#) [WYSBHVXG](#) [WYSBMVXG](#) [MT100EOCG-G2-GP-SP](#) [ATWINC3400-MR210UA122](#) [ESP32-WROOM-32](#) [cs-superb-03](#) [cs-superb-04](#) [TEL0135](#) [ReliaCELL10-20-26](#) [POL-2G-KIT](#) [POL-3G-KIT](#) [ENWF9201AZEF](#) [STM32WB5MMGH6TR](#)