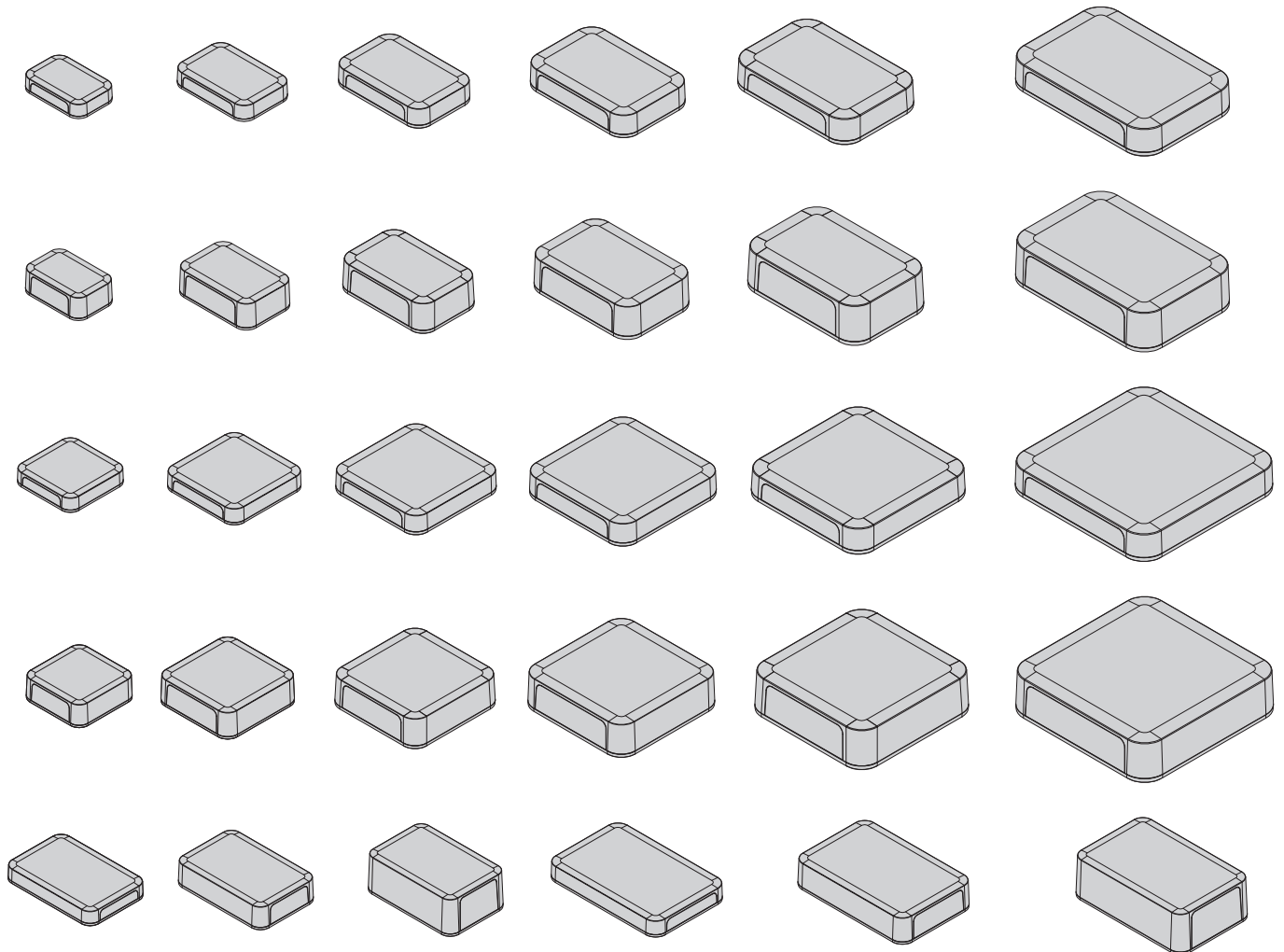


PF SERIES FLAT NETWORK CASE

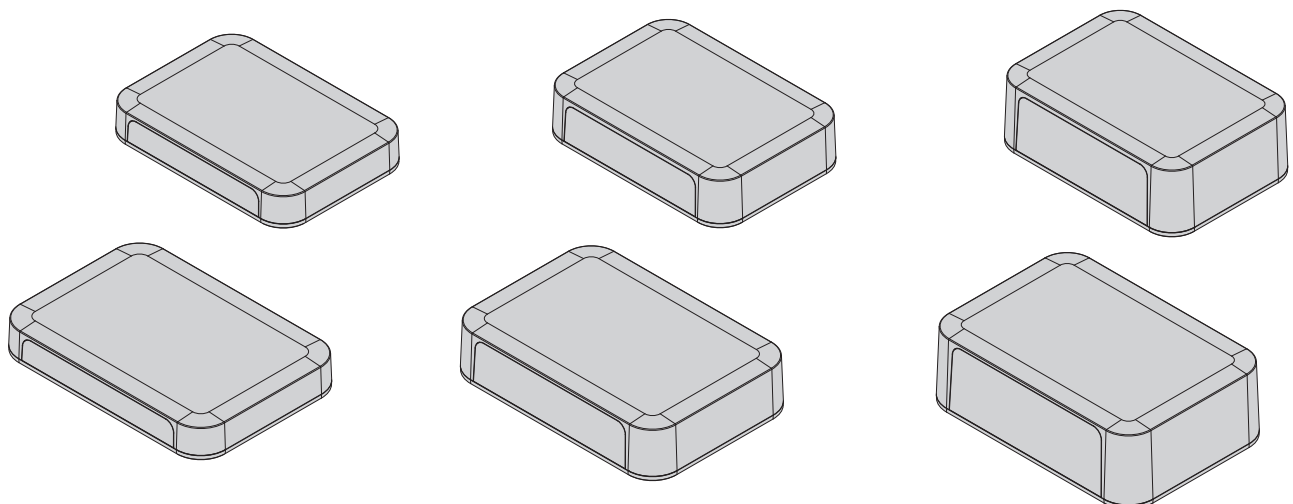
Huge selection, 36 different sizes are now available.

Suitable for IOT device, Data transmitter and receiver, access point.

From 100 x 67 x 22.5 to 320 x 225 x 100mm.



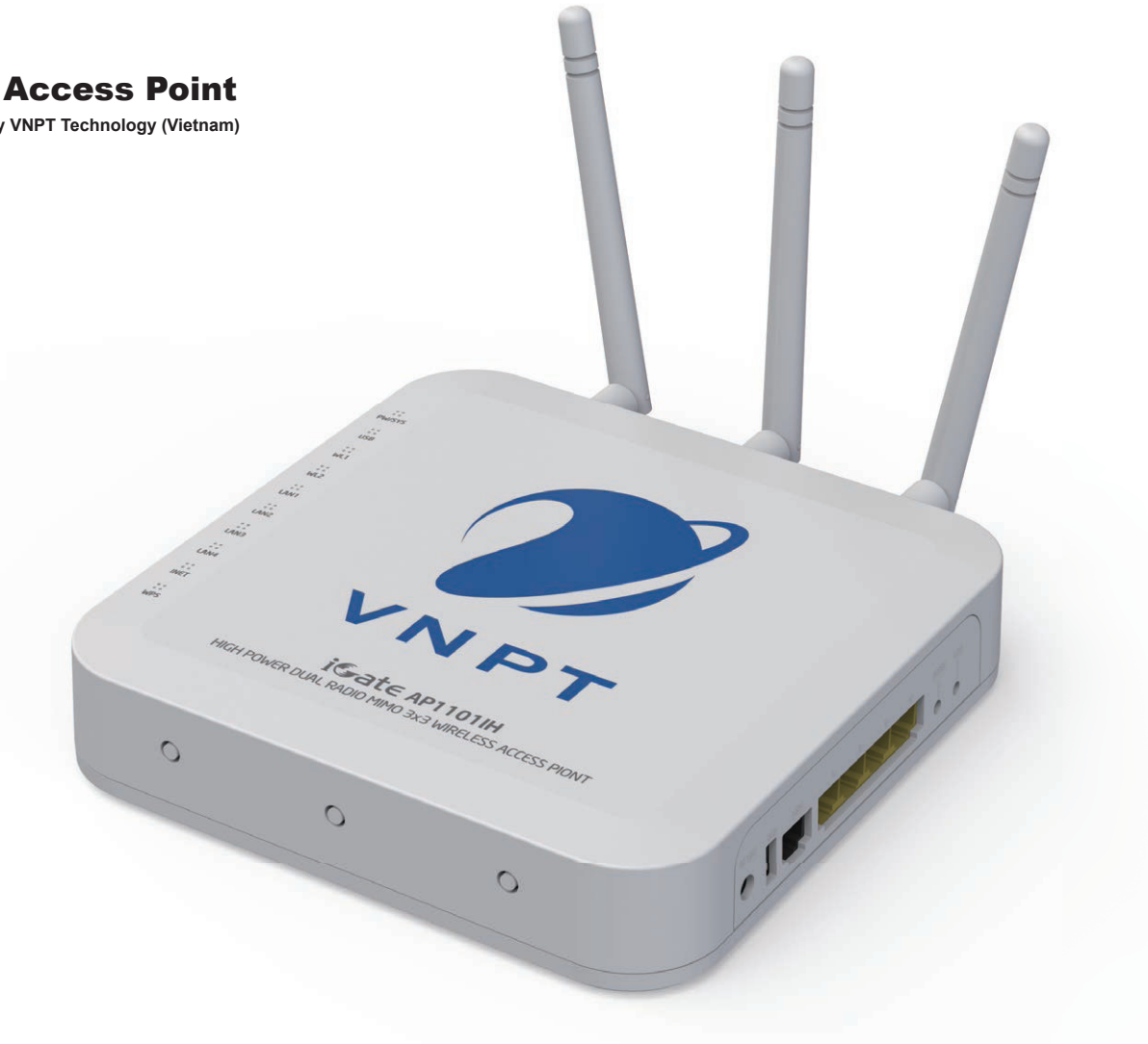
New sizes



APPLICATION EXAMPLE

WiFi Access Point

Product by VNPT Technology (Vietnam)



USB Power Charging Hub + Data Hub

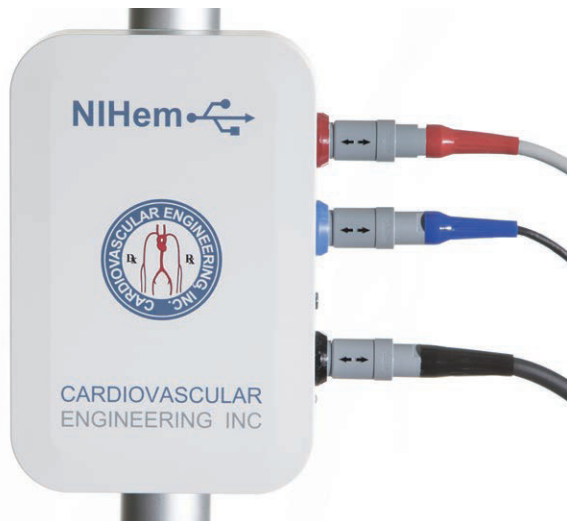
Product by MtT-planning (Japan)



Possible to power charging while transferring data.

USB HEMODYNAMIC RESEARCH DEVICE

Product by Cardiovascular Engineering (USA)



WIRELESS HOME ELECTRONICS CONTROLLER

Product by AR SMART (Colombia)



GSM MODULE

Product by Elmar Electronic (Croatia)



ADVANCED TRIGGER STATION

Product by BrainTrends (Italy)



G4 FLIGHT TRACKER

Product by Guardian Mobility (Canada)



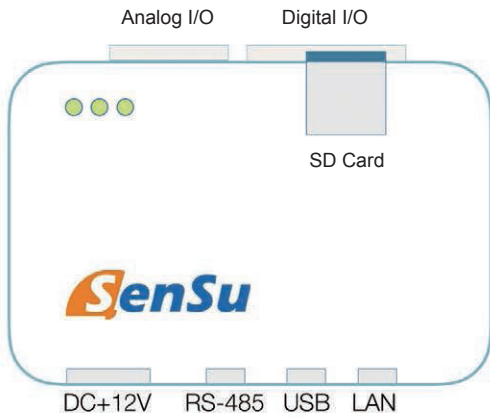
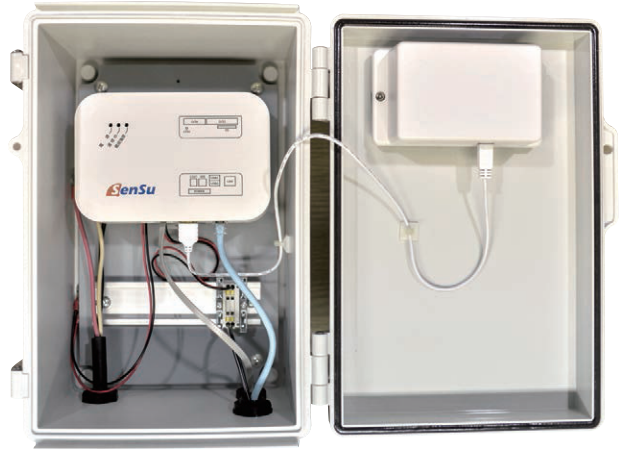
iCONSE-T IOT and SENSOR NETWORK TRAINING SYSTEM

Product by Benchmark Electronic Systems (India)

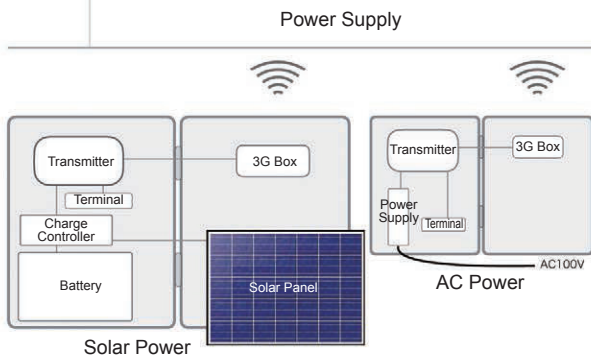


"SenSu" COMMUNICATION UNIT with SENSOR

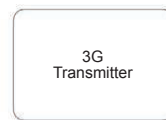
Product by DATA TECHNOLOGY (Japan)



Application Example for Agriculture
Outdoor application with BCPC series Polycarbonate box.



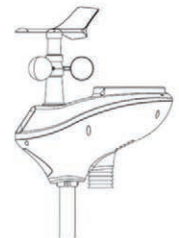
Exclusive Interface



USB



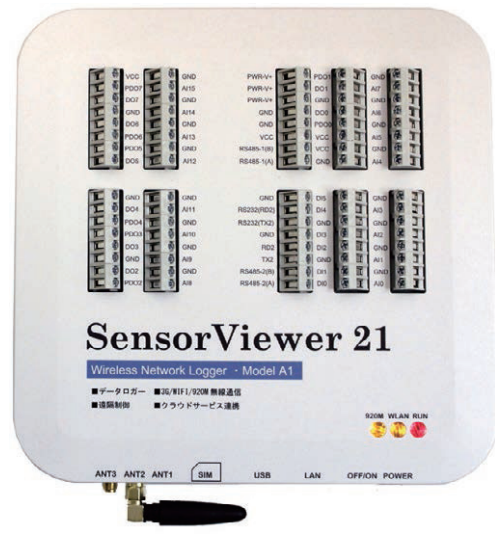
LAN

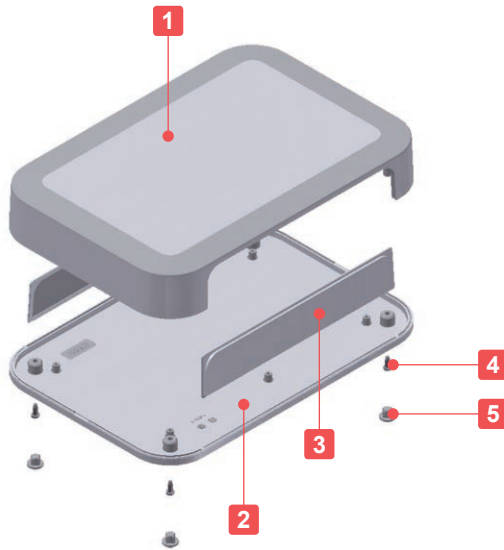


RS-485

WIRELESS NETWORK DATA LOGGER

Product by SensingWinTech (Japan)





Technical Data
Protection class: IP40
Operating temperature: -10°C ~ +60°C

- Flat designed plastic case with detachable panels.
- Made of flame-resistant ABS UL94V-0, and available in off-white and dark gray color.
- 6 new sizes added for a total of 36 different sizes available for selection.
- Equipped with built-in bosses for PCB mounting.
- Suitable for Wi-Fi access point, measuring equipment, controller or various other applications for desktop, wall mounting use and so on.

Components

No.	Part name	Pcs	Material	Color / Finish
1	Top cover	1	ABS UL94V-0	Off-white • Dark gray
2	Bottom base	1	ABS UL94V-0	Off-white • Dark gray
3	Panel	2	ABS UL94V-0	Off-white • Dark gray
4	Self-tapping screw	4	Steel	Nickel plated
5	Rubber feet	4	Elastomer	Dark gray

Accessories (Optional parts)



Tapping standoff TPS series
See page TPS · MT-1



PCB mounting screw EM series
See page EM · MR-1



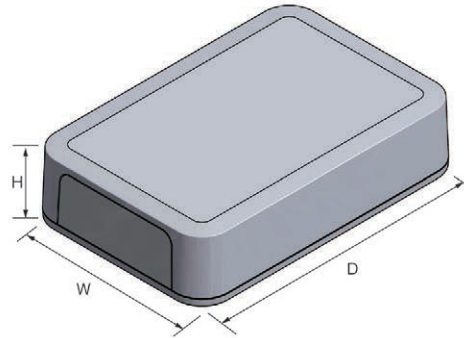
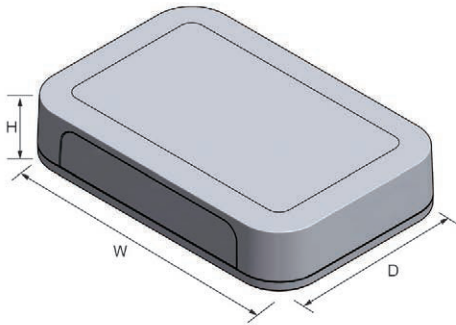
TORX screw MR series
See page EM · MR-1



Suspension bracket WM series
See page WM-1



Neodymium magnet NMG series
See page NMG-1



Tilt leg TLW series
See page TLW-1

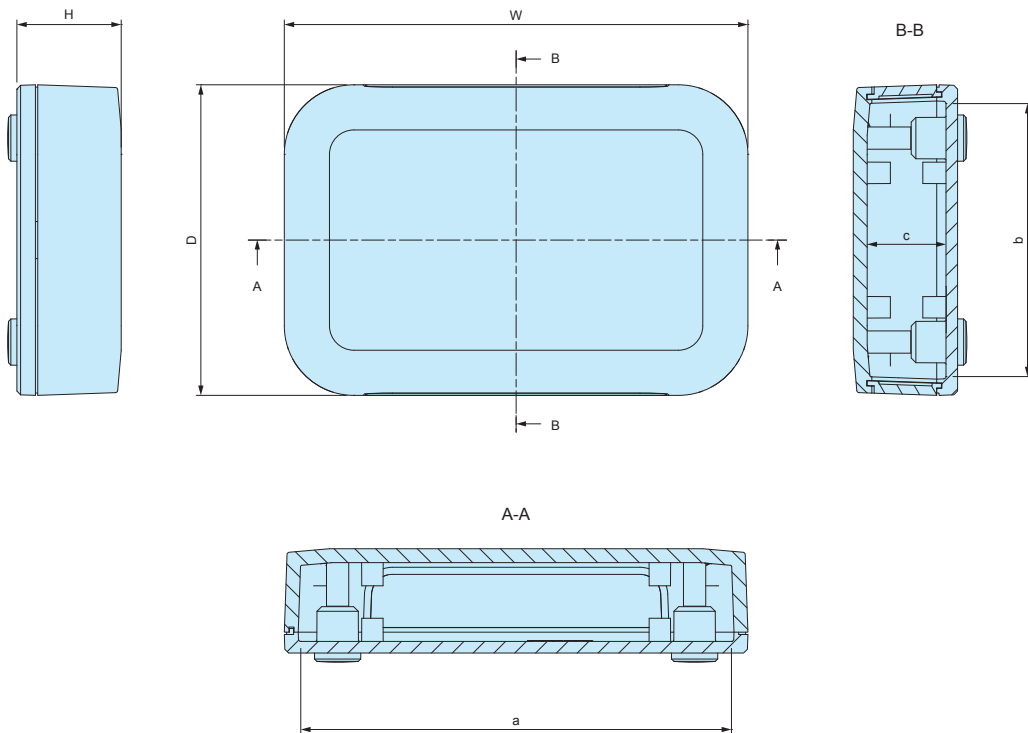
Product no. / Dimensions

※ H dimension is not inclusive of rubber feet. (Rubber feet height = 2mm)

Product no.		Dimensions			Screw	Weight (g)
● Off-white	● Dark gray	W	H	D		
PF10- 2- 7W	PF10- 2- 7D	100	22.5	67	M2.5-8 x 4 pcs	60
PF10- 2-10W	PF10- 2-10D	100	22.5	100	M2.5-8 x 4 pcs	82.9
PF10- 2-15W	PF10- 2-15D	100	22.5	150	M2.5-8 x 4 pcs	120.2
PF10- 4- 7W	PF10- 4- 7D	100	35	67	M2.5-8 x 4 pcs	65
PF10- 4-10W	PF10- 4-10D	100	35	100	M2.5-8 x 4 pcs	97.1
PF10- 4-15W	PF10- 4-15D	100	35	150	M2.5-8 x 4 pcs	132.6
PF10- 6-15W	PF10- 6-15D	100	55	150	M2.5-8 x 4 pcs	169.1
PF13- 3- 9W	PF13- 3- 9D	125	25	85	M2.5-8 x 4 pcs	90.8
PF13- 3-13W	PF13- 3-13D	125	25	125	M2.5-8 x 4 pcs	127.5
PF13- 3-19W	PF13- 3-19D	125	25	190	M2.5-8 x 4 pcs	186.8
PF13- 4- 9W	PF13- 4- 9D	125	40	85	M2.5-8 x 4 pcs	108.4
PF13- 4-13W	PF13- 4-13D	125	40	125	M2.5-8 x 4 pcs	151.4
PF13- 4-19W	PF13- 4-19D	125	40	190	M2.5-8 x 4 pcs	214.9
PF13- 6-19W	PF13- 6-19D	125	60	190	M2.5-8 x 4 pcs	250.4
PF15- 3-10W	PF15- 3-10D	150	30	100	M2.5-8 x 4 pcs	145.5
PF15- 3-15W	PF15- 3-15D	150	30	150	M2.5-8 x 4 pcs	207.5
PF15- 5-10W	PF15- 5-10D	150	45	100	M2.5-8 x 4 pcs	166
PF15- 5-15W	PF15- 5-15D	150	45	150	M2.5-8 x 4 pcs	233.5
PF18- 4-12W	PF18- 4-12D	175	35	120	M2.5-8 x 4 pcs	188.7
PF18- 4-18W	PF18- 4-18D	175	35	175	M2.5-8 x 4 pcs	266.8
PF18- 5-12W	PF18- 5-12D	175	50	120	M2.5-8 x 4 pcs	213.6
PF18- 5-18W	PF18- 5-18D	175	50	175	M2.5-8 x 4 pcs	302.1
PF20- 4-13W	PF20- 4-13D	200	40	135	M3-8 x 4 pcs	264
PF20- 4-20W	PF20- 4-20D	200	40	200	M3-8 x 4 pcs	368.5
PF20- 6-13W	PF20- 6-13D	200	60	135	M3-8 x 4 pcs	302.5
PF20- 6-20W	PF20- 6-20D	200	60	200	M3-8 x 4 pcs	417
PF24- 4-17W	PF24- 4-17D	240	42.5	165	M3-8 x 4 pcs	370.4
PF24- 4-24W	PF24- 4-24D	240	42.5	240	M3-8 x 4 pcs	521.4
PF24- 6-17W	PF24- 6-17D	240	60	165	M3-8 x 4 pcs	408.8
PF24- 6-24W	PF24- 6-24D	240	60	240	M3-8 x 4 pcs	568.7
NEW PF28- 5-20W	NEW PF28- 5-20D	280	45	200	M3-8 x 4 pcs	564.1
NEW PF28- 7-20W	NEW PF28- 7-20D	280	65	200	M3-8 x 4 pcs	618.4
NEW PF28- 9-20W	NEW PF28- 9-20D	280	90	200	M3-8 x 4 pcs	709.2
NEW PF32- 5-23W	NEW PF32- 5-23D	320	45	225	M3-8 x 4 pcs	697.1
NEW PF32- 7-23W	NEW PF32- 7-23D	320	70	225	M3-8 x 4 pcs	782.1
NEW PF32-10-23W	NEW PF32-10-23D	320	100	225	M3-8 x 4 pcs	899.8

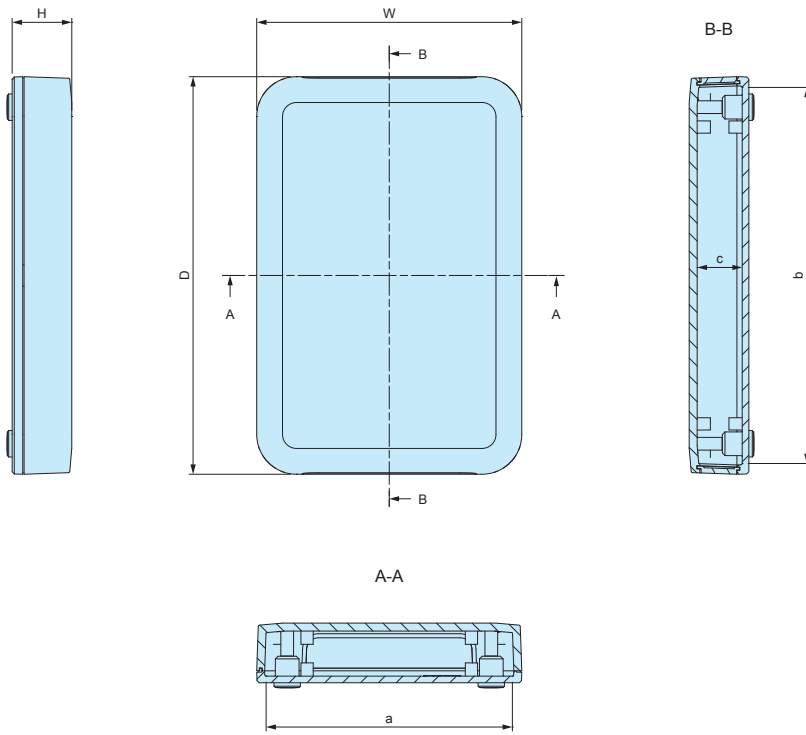
PF dimensions

■ Drawings below are reference examples only.
DXF/DWG/PDF drawings available on our website.



※Refer to DXF/DWG/PDF drawings for the numbers of PCB bosses on each size of enclosures.

Product no.	W	H	D	a	b	c
PF10- 2- 7□	100	22.5	67	92	58	17
PF10- 2-10□	100	22.5	100	92	91	17
PF10- 4- 7□	100	35	67	91	57	29.5
PF10- 4-10□	100	35	100	91	90	29.5
PF13- 3- 9□	125	25	85	117	76	19.5
PF13- 3-13□	125	25	125	117	116	19.5
PF13- 4- 9□	125	40	85	116	75	34.5
PF13- 4-13□	125	40	125	116	115	34.5
PF15- 3-10□	150	30	100	142	90	24
PF15- 3-15□	150	30	150	142	140	24
PF15- 5-10□	150	45	100	141	89	39
PF15- 5-15□	150	45	150	141	139	39
PF18- 4-12□	175	35	120	166	110	29
PF18- 4-18□	175	35	175	166	165	29
PF18- 5-12□	175	50	120	165	109	44
PF18- 5-18□	175	50	175	165	164	44
PF20- 4-13□	200	40	135	191.5	124.5	34
PF20- 4-20□	200	40	200	191.5	189.5	34
PF20- 6-13□	200	60	135	190	123	54
PF20- 6-20□	200	60	200	190	188	54
PF24- 4-17□	240	42.5	165	230	154	36.5
PF24- 4-24□	240	42.5	240	230	229	36.5
PF24- 6-17□	240	60	165	229	153	54
PF24- 6-24□	240	60	240	229	228	54
PF28- 5-20□	280	45	200	269.5	189	38.5
PF28- 7-20□	280	65	200	268.5	187.5	58.5
PF28- 9-20□	280	90	200	266.5	185.5	83.5
PF32- 5-23□	320	45	225	309.5	214	38.5
PF32- 7-23□	320	70	225	308	212	63.5
PF32-10-23□	320	100	225	306	210	93.5

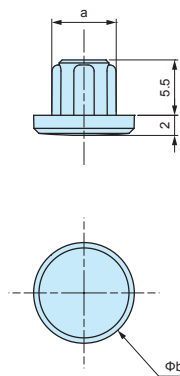


Product no.	W	H	D	a	b	c
PF10-2-15□	100	22.5	150	92	141	17
PF10-4-15□	100	35	150	91	140	29.5
PF10-6-15□	100	55	150	90	139	49.5
PF13-3-19□	125	25	190	117	181	19.5
PF13-4-19□	125	40	190	116	180	34.5
PF13-6-19□	125	60	190	115	179	54.5

PFRF SERIES RUBBER FEET for PF



- Rubber feet for PF series.
- Inserted into the screw holes on the underside of box.
- Elastomer material is resistant against color migration.



Product no. / Dimensions

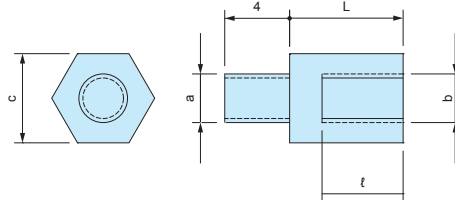
Product no.	Dimensions		Suitable box	Material	Color	Pack of
	a	b				
PFRF-M2.5D	6.4	10	PF10-2-7,10-2-10,10-2-15,10-4-7,10-4-10,10-4-15 PF10-6-15,13-3-9,13-3-13,13-3-19,13-4-9,13-4-13 PF13-4-19,13-6-19,15-3-10,15-3-15,15-5-10,15-5-15 PF18-4-12,18-4-18,18-5-12,18-5-18	Elastomer	Dark gray	4
PFRF-M3D	7.2	11	PF20-4-13,20-4-20,20-6-13,20-6-20,24-4-17 PF24-4-24,24-6-17,24-6-24,28-5-20,28-7-20 PF28-9-20,32-5-23,32-7-23,32-10-23	Elastomer	Dark gray	4

TPS SERIES

TAPPING STANDOFF



- Tapping screw head allows for easy installation onto existing enclosure boss mount.
- 3 different sizes available : M2.3, M2.6 and M3 size.



Product no. / Dimensions

■ Material / Finish : Brass / Unfinished

Product no.	Screw size (a)	Screw size (b)	c	L	ℓ	Pack of	Recommended enclosure models	
TPS-M2.3-4	M2.3	M2.3	5	4	3	4	WH series • PFE series LC • LCE • LCS • LCT series PF • PFF series (M2.3 boss models) TW • TWN • TWF series (M2.3 boss models) WP series (M2.3 boss models)	
TPS-M2.3-5	M2.3	M2.3	5	5	3	4		
TPS-M2.3-6	M2.3	M2.3	5	6	4	4		
TPS-M2.3-7	M2.3	M2.3	5	7	5	4		
TPS-M2.3-8	M2.3	M2.3	5	8	6	4		
TPS-M2.3-10	M2.3	M2.3	5	10	6	4		
TPS-M2.3-12	M2.3	M2.3	5	12	6	4		
TPS-M2.6-4	M2.6	M2.6	5	4	3	4		PF • PFF series (M2.6 boss models) WP series (M2.6 boss models)
TPS-M2.6-5	M2.6	M2.6	5	5	3	4		
TPS-M2.6-7	M2.6	M2.6	5	7	5	4		
TPS-M2.6-10	M2.6	M2.6	5	10	6	4		
TPS-M2.6-12	M2.6	M2.6	5	12	6	4	SU • OP series TWS • TW • TWN • TWF series (M3 boss models)	
TPS-M3-4	M3	M3	5.5	4	3	4		
TPS-M3-5	M3	M3	5.5	5	3	4		
TPS-M3-6	M3	M3	5.5	6	4	4		
TPS-M3-7	M3	M3	5.5	7	5	4		
TPS-M3-8	M3	M3	5.5	8	5	4		
TPS-M3-10	M3	M3	5.5	10	6	4		
TPS-M3-12	M3	M3	5.5	12	6	4		



- Please use a suitable sized socket driver to both secure and loosen the tapping standoff.



How to tighten

MT SERIES

PCB MOUNTING SCREWS for TPS



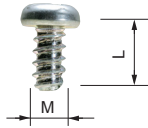
- PCB mounting Screws for TPS tapping standoffs.

Product no. / Dimensions

Product no.	M	L	Head style	Material	Finish	Pack of
NEW MT2.3-4	2.3	4	Pan	Steel	Trivalent chromate	20
NEW MT2.3-6	2.3	6		Steel	Trivalent chromate	20
NEW MT2.6-4	2.6	4		Steel	Trivalent chromate	20
MT3-4	3	4		Steel	Trivalent chromate	20

EM SERIES

PCB MOUNTING SCREW



- Self-tapping screws for mounting PCB on bosses or standoffs.
- EM-3-6 self-tapping screws are suitable for mounting 1.6mm or thicker PCB.

Product no. / Dimensions

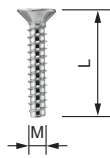
Product no.	M	L	Material	Finish	Suitable enclosures	Pack of
EM-1.6	1.6	4	Steel	Trivalent chromate	WC • CSS • CS • PS (M1.6 size)	50
EM-2	2	5	Steel	Trivalent chromate	PS • TW • TWN • TWF • WP (M2 size)	50
EM-2.3	2.3	6	Steel	Trivalent chromate	WH • LC • LCT • LCS • LCE • PFE WSC (Top cover bosses) PF • PFF (M2.3 size) TW • TWN • TWF (M2.3 size) WP (M2.3 size)	50
NEW EM-2.3-8	2.3	8	Steel	Trivalent chromate	WSC (Bottom base bosses)	50
EM-2.6	2.6	6	Steel	Trivalent chromate	PF • PFF • WP (M2.6 size)	50
EM-3	3	5	Steel	Trivalent chromate	SU TWS • TW • TWN • TWF (M3 sizes)	50
EM-3-6	3	6	Steel	Trivalent chromate		50

MR SERIES

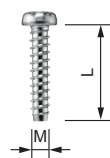
TORX SCREW



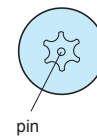
Countersunk head



Pan head



With pin



★ Without pin



★ : MR1.6-6S, MR-2S, MR2.6-10□, and MR3-14□ are without pin.

Product no. / Dimensions

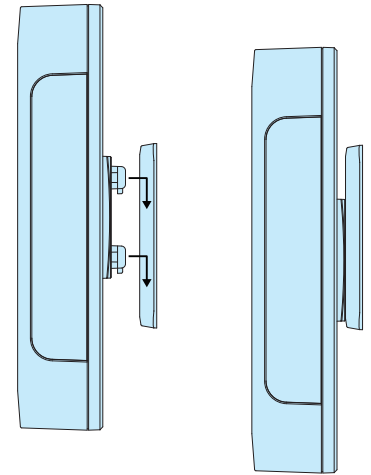
★Mark = Without pin

Product no.	M	L	head no.	Head style	Material	Finish	Suitable enclosures	Pack of
MR1.6-6S★	1.6	6	T3	Pan	Steel	Nickel plated	CS • CSS	20
MR2.5-8PS	2.5	8	T8	Pan	Steel	Nickel plated	PF • PFE • PFF (M2.5 size)	20
MR2.6-10S★	2.6	10	T8	Countersunk	Steel	Nickel plated	TW • TWN (M2.6 models) TWF (M2.6 models)	20
MR2.6-10B★	2.6	10	T8	Countersunk	Steel	Black trivalent chromate	MX • MXA • MXB • MXF (M2.6 models)	20
MR2.6-12PS	2.6	12	T8	Pan	Steel	Nickel plated	LCT • LCS • LC115-F2 / F3 LCT • LCS • LC145S-F6	20
MR2.6-14PS	2.6	14	T8	Pan	Steel	Nickel plated	LCT • LCS • LC115H-F2 / F3 / M2 / 9V LCT • LCS • LC135-F4 / M2 / M3 / 9V LCT • LCS • LC135H-F4 / M2 / M3 / 9V LCT • LCS • LC145-F6 / M2 / M4 LCT • LCS • LC145H-F6 / M2 / M4 LCT • LCS • LC165-M4 LCT • LCS • LC165H-M4	20
MR2.6-14S	2.6	14	T8	Countersunk	Steel	Nickel plated	LCT • LCS • LC115-N / F2 / F3 LCT • LCS • LC145S-F6 / 145S-N LCE115-N TW • TWN7-2-11 / 7-4-11 / 7-5-11 TWF7-2-11 / 7-4-11 / 7-5-11 / 8-2-8 / 8-4-8	20
MR2.6-18S	2.6	18	T8	Countersunk	Steel	Nickel plated	LCT • LCS • LC115H-N / F2 / F3 / M2 / 9V LCT • LCS • LC135-N / F4 / M2 / M3 / 9V LCT • LCS • LC135H-N / F4 / M2 / M3 / 9V LCT • LCS • LC145-N / F6 / M2 / M4 LCT • LCS • LC145H-N / F6 / M2 / M4 LCT • LCS • LC165-N / M4 LCT • LCS • LC165H-N / M4 LCE115H-N • LCE135-N • LCE145H-N • LCE165H-N	20
MR3-8PS	3	8	T10	Pan	Steel	Nickel plated	PF • PFE • PFF (M3 size)	20
MR3-14S★	3	14	T10	Countersunk	Steel	Nickel plated	TW • TWN (M3 models)	20
MR3-14B★	3	14	T10	Countersunk	Steel	Black trivalent chromate	TWF (M3 models) MX • MXA • MXB • MXF (M3 models)	20
MR-1S	3	5	T10	Countersunk	Steel	Nickel plated	UC	20
MR-1B	3	5	T10	Countersunk	Steel	Black trivalent chromate	UC • UCY • US	20
MR-2S	3	10	T10	Countersunk	Steel	Nickel plated	HEN	20

WM SERIES

SUSPENSION BRACKET

How to install

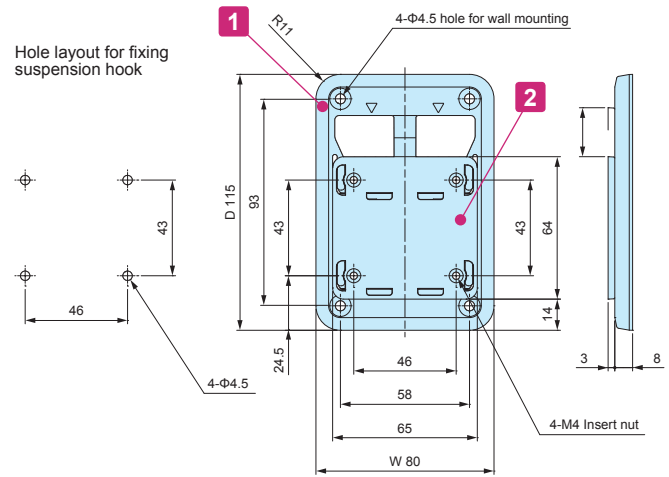
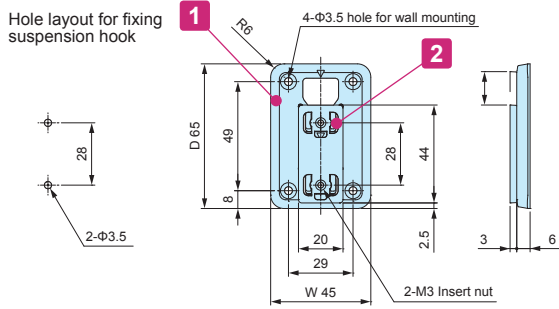


- Plastic wall mounting bracket. Easy attachment and removal.
 - Large and small brackets are available.
 - Applicable not only for the PF series, but also other plastic/metal enclosures with a panel thickness of 0.8 ~ 3.5mm.
 - To attach the suspension hook onto the enclosure, hole milling is required.
-
- The max load values listed are static load values only. Use caution when handling.
 - Please be aware of the insertion direction of the suspension hook against the mounting base when attaching.

Technical Data
Max load : 2 kg - WM-1 5 kg - WM-2

WM-1

WM-2



■ DXF/DWG/PDF drawings available on our website.

Components

No.	Part name	Pcs	Material	Color / Finish
1	Mounting base	1	PC + ABS UL94HB	Off-white • Dark gray
2	Suspension hook	1	PC + ABS UL94HB	Off-white • Dark gray
-	Insert nut	2 / 4	Brass	Unfinished
-	Screw	2	M3-8 Steel binding = WM-1	Nickel plated
-	Screw	4	M4-8 Steel binding = WM-2	Nickel plated

Product no. / Dimensions

Product no.		Dimensions		Mountable thickness	Weight (g)
● Off-white	● Dark gray	W	D		
WM-1W	WM-1D	45	65	t0.8 ~ t3.5	11.5
WM-2W	WM-2D	80	115	t0.8 ~ t3.5	48

NMG SERIES

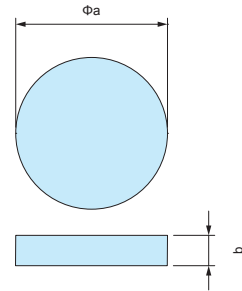
NEODYMIUM MAGNET



Round magnet



- Material / Finish: Neodymium / Nickel plated
- Please attach using a strong adhesive.



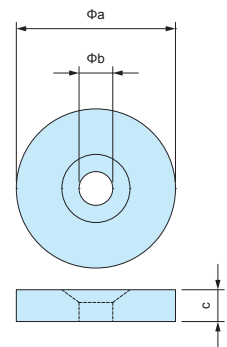
Components

Product no.	a	b	Weight (g)	Flus Density	Adsorption
NMG3-15N	15	3	4	214.4 mT	2.44 kgf
NMG3-20N	20	3	7.1	170.7 mT	3.26 kgf
NMG5-22N	22	5	11.4	247.2 mT	5.91 kgf
NMG5-25N	25	5	18.4	221.9 mT	6.89 kgf

Round magnet with countersunk hole



- Please fasten with a screw.



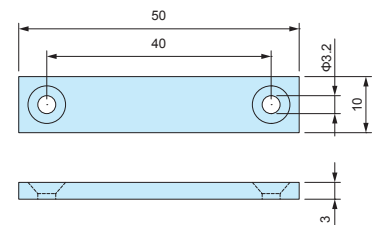
Components

Product no.	a	b	c	Countersunk size	Weight (g)	Flus Density	Adsorption
NMG3-15M3	15	3.2	3	M3	3.8	214.3 mT	2.33 kgf
NMG3-20M3	20	3.2	3	M3	6.9	170.6 mT	3.17 kgf
NMG5-22M4	22	4.3	5	M4	13.7	247.2 mT	5.68 kgf
NMG5-25M5	25	5.3	5	M5	17.6	221.9 mT	6.58 kgf

Rectangular magnet with countersunk holes



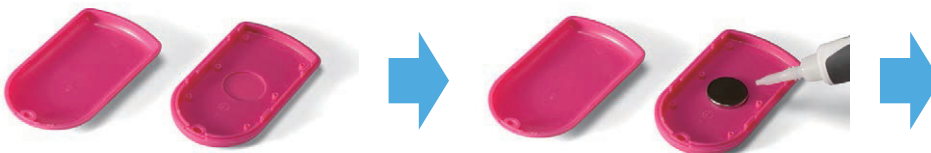
- Please fasten with a screw.



Components

Product no.	a	b	c	Countersunk size	Weight (g)	Flus Density	Adsorption
NMG3-50M3	50	10	3	M3	11.3	210.0 mT	9.1 kgf

Example 1 The magnetic force remains strong even through plastic.



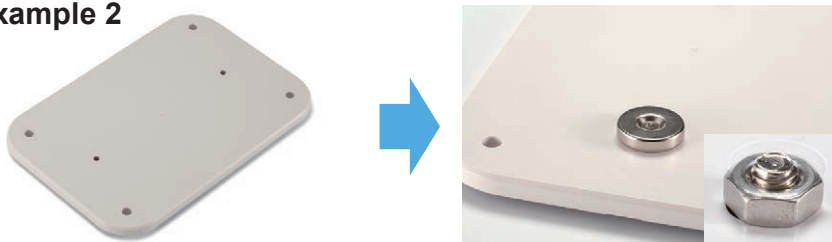
Make recessed pocket on the inside wall.

Glue on.



Attach onto a metallic surface.

Example 2



Make holes

Fasten with a screw and nut.



Attach onto a metallic surface.

CAUTION: Handle with care to avoid personal injury or damage to the magnet.



TLW SERIES TILT LEG



Application Example

- Double shot injection molded feet with soft and well-designed rounded shape.
- Non-slip design with Elastomer (TPE) pad.
- Available in 3 different color combinations on TLW-46 models, and 2 different color combinations on TLW-70 models.

Technical Data
Max load : 7kg

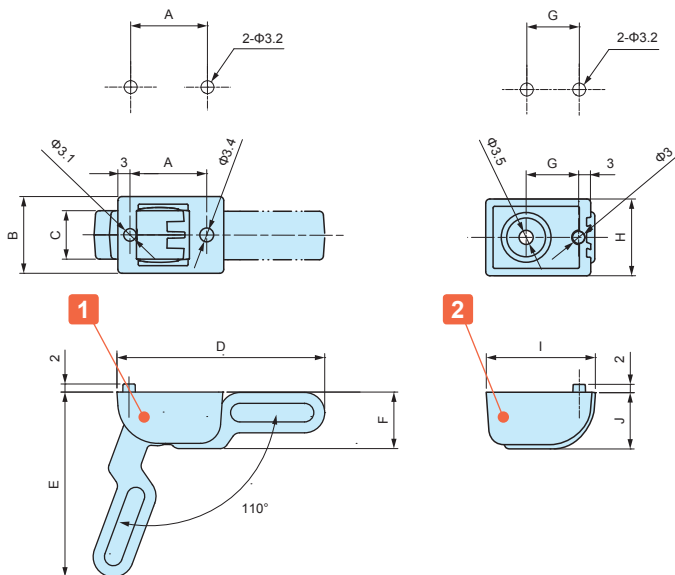
Components

No.	Part name	Pcs	Material	Color / Finish
1	Front feet	2	PC+ABS UL94V-0, TPE	Black & Black • Navy & Gray • Light gray & Gray
2	Rear Feet	2	PC+ABS UL94V-0, TPE	Black & Black • Navy & Gray • Light gray & Gray
-	Washer head screw	4	Steel M3-6	Black Trivalent chromate
-	Nut	4	Steel M3	Black Trivalent chromate

- Drawings below are reference examples only.
DXF/DWG/PDF drawings available on our website.

Mounting hole (Front)

Mounting Hole (Rear)



- Possible to be installed on both plastic and aluminum enclosures.



Product no. / Dimensions

Product no.	A	B	C	D	E	F	G	H	I	J	Color (plastic)	Color (TPE)	Weight (g)
TLW-46BB	19	19	12	51.2	45.9	14	13	19	27	14	Black	Black	23
TLW-46NG	19	19	12	51.2	45.9	14	13	19	27	14	Navy	Gray	23
TLW-46LG	19	19	12	51.2	45.9	14	13	19	27	14	Light gray	Gray	23
NEW TLW-70BB	30	25	16	75.4	69	21.5	20	25	39	21.5	Black	Black	59
NEW TLW-70LG	30	25	16	75.4	69	21.5	20	25	39	21.5	Light gray	Gray	59

X-ON Electronics

Largest Supplier of Electrical and Electronic Components

Click to view similar products for [Enclosures, Boxes & Cases](#) category:

Click to view products by [Takachi](#) manufacturer:

Other Similar products are found below :

[585-R-WH-PK](#) [M-10-PLATED](#) [60221-01](#) [60566-01-000](#) [HPL-9VB BATT DOOR](#) [M18-PLTD](#) [M-21-PLATED](#) [63310-01-000](#) [6711GSKT](#)
[71884-29-028](#) [LH45-100 Black](#) [72868-510-000](#) [CNS-0000 Black](#) [72883-510-000](#) [CNS-0101 Black](#) [72906-510-000](#) [CNS-0407 Black](#) [73092-](#)
[510-000](#) [CNM-0101 Black](#) [73105-510-000](#) [CNL-0101 Black](#) [73108-510-000](#) [CNL-0303 Black](#) [73395-510-039](#) [CNS-0006 Bone](#) [74016-510-000](#)
[CNL-0006 Black](#) [74257-510-000](#) [CNL-0004](#) [MDC-1183-PLAIN-ALUM](#) [MDC-1183-PTD](#) [MDC-13104-PTD](#) [MDC-321-PTD](#) [MDC-973-PTD](#)
[76](#) [77153-01-028](#) [FLX6030](#) [83535-01-508](#) [90026-501-000](#) [PS36-200](#) [116-508](#) [120-407](#) [120-910](#) [127-908](#) [130-008](#) [1301170079](#)
[1322GSKTEP](#) [1325GSKT3](#) [138-PLAIN](#) [1434-1210](#) [EAS-500 \(BLACK ANO\)](#) [1804RP-RB-PK](#) [190-005](#) [2202307](#) [KAB3321 BLACK](#)
[KAB3421](#) [2697466](#) [S52213](#) [2901123](#) [2901699](#) [A0645271](#) [A20P20](#)