

# 1 Watt DO-41 Hermetically Sealed Glass Zener Voltage Regulators



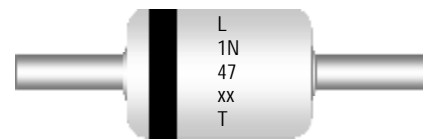
AXIAL LEAD DO41

## Absolute Maximum Ratings $T_A = 25^\circ\text{C}$ unless otherwise noted

Parameter	Value	Units
Storage Temperature Range	-65 to +175	$^\circ\text{C}$
Maximum Junction Operating Temperature	+175	$^\circ\text{C}$
Total Device Dissipation	1.0	Watt
Thermal Resistance Junction to Lead	53.5	$^\circ\text{C} / \text{W}$
Thermal Resistance Junction to Ambient	100	$^\circ\text{C} / \text{W}$

These ratings are limiting values above which the serviceability of the diode may be impaired.

DEVICE MARKING DIAGRAM



L : Logo  
 Device Code : TC1N47xxT  
 VZ Tolerance (T) : A =  $\pm 5\%$   
 C =  $\pm 2\%$

## Specification Features:

- § Zener Voltage Range 3.3 to 56 Volts
- § Through-Hole Device Type Mounting
- § Hermetically Sealed Glass
- § Compression Bonded Construction
- § All External Surfaces Are Corrosion Resistant And Leads Are Readily Solderable
- § RoHS Compliant
- § Solder Hot Dip Tin (Sn) Terminal Finish
- § Cathode Indicated By Polarity Band



ELECTRICAL SYMBOL

## Electrical Characteristics $T_A = 25^\circ\text{C}$ unless otherwise noted

Device Type	$V_Z @ I_{ZT}$ (Volts) Nominal	$I_{ZT}$ (mA)	$Z_{ZT} @ I_{ZT}$ ( $\Omega$ ) Max	$I_{ZK}$ (mA)	$Z_{ZK} @ I_{ZK}$ ( $\Omega$ ) Max	$I_R @ V_R$ ( $\mu\text{A}$ ) Max	$V_R$ (Volts)
TC1N4728A	3.3	76	10	1	400	100	1
TC1N4729A	3.6	69	10	1	400	100	1
TC1N4730A	3.9	64	9	1	400	50	1
TC1N4731A	4.3	58	9	1	400	10	1
TC1N4732A	4.7	53	8	1	500	10	1
TC1N4733A	5.1	49	7	1	550	10	1
TC1N4734A	5.6	45	5	1	600	10	2
TC1N4735A	6.2	41	2	1	700	10	3
TC1N4736A	6.8	37	3.5	1	700	10	4
TC1N4737A	7.5	34	4	0.5	700	10	5
TC1N4738A	8.2	31	4.5	0.5	700	10	6
TC1N4739A	9.1	28	5	0.5	700	10	7
TC1N4740A	10	25	7	0.25	700	10	7.6
TC1N4741A	11	23	8	0.25	700	5	8.4
TC1N4742A	12	21	9	0.25	700	5	9.1
TC1N4743A	13	19	10	0.25	700	5	9.9
TC1N4744A	15	17	14	0.25	700	5	11.4

**Electrical Characteristics**  $T_A = 25^\circ\text{C}$  unless otherwise noted

Device Type	$V_Z @ I_{ZT}$ (Volts) Nominal	$I_{ZT}$ (mA)	$Z_{ZT} @ I_{ZT}$ ( $\Omega$ ) Max	$I_{ZK}$ (mA)	$Z_{ZK} @ I_{ZK}$ ( $\Omega$ ) Max	$I_R @ V_R$ ( $\mu\text{A}$ ) Max	$V_R$ (Volts)
TC1N4745A	16	15.5	16	0.25	700	5	12.2
TC1N4746A	18	14	20	0.25	700	5	13.7
TC1N4747A	20	12.5	22	0.25	750	5	15.2
TC1N4748A	22	11.5	23	0.25	750	5	16.7
TC1N4749A	24	10.5	25	0.25	750	5	18.2
TC1N4750A	27	9.5	35	0.25	750	5	20.6
TC1N4751A	30	8.5	40	0.25	1000	5	22.8
TC1N4752A	33	7.5	45	0.25	1000	5	25.1
TC1N4753A	36	7	50	0.25	1000	5	27.4
TC1N4754A	39	6.5	60	0.25	1000	5	29.7
TC1N4755A	43	6	70	0.25	1500	5	32.7
TC1N4756A	47	5.5	80	0.25	1500	5	35.8
TC1N4757A	51	5	95	0.25	1500	5	38.8
TC1N4758A	56	4.5	110	0.25	2000	5	42.6
TC1N4759A	62	4.0	125	0.25	2000	5	47.1
TC1N4760A	68	3.7	150	0.25	2000	5	51.7
TC1N4761A	75	3.3	175	0.25	2000	5	56.0

$V_F$  Forward Voltage = 1.2 V Maximum @  $I_F = 200$  mA for all types

**Notes:**

**1. TOLERANCE AND TYPE NUMBER DESIGNATION ( $V_Z$ )**

The type numbers listed have a standard tolerance on the nominal zener voltage of  $\pm 5\%$ . Device tolerance of  $\pm 2\%$  is indicated by a "C" instead of an "A".

**2. SPECIALS AVAILABLE INCLUDE**

Nominal zener voltages between the voltages shown and tighter voltage, for detailed information on price, availability and delivery, contact you nearest Tak Cheong representative.

**3. ZENER VOLTAGE ( $V_Z$ ) MEASUREMENT**

The zener voltage ( $V_Z$ ) is tested under pulse condition.

**4. ZENER IMPEDANCE ( $Z_Z$ ) DERIVATION**

The zener impedance is derived from the 60 cycle AC voltage, which results when an AC current having an RMS value equal to 10% of the DC zener current ( $I_{ZT}$  or  $I_{ZK}$ ) is superimposed on  $I_{ZT}$  or  $I_{ZK}$ .

Typical Characteristics

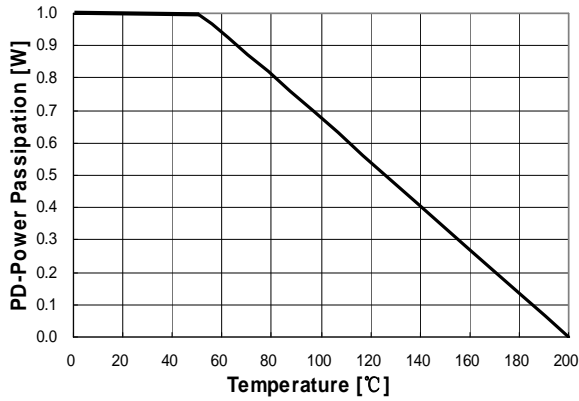


Figure 1. Power Dissipation vs Ambient Temperature  
Valid provided leads at a distance of 0.8mm from case are kept at ambient temperature

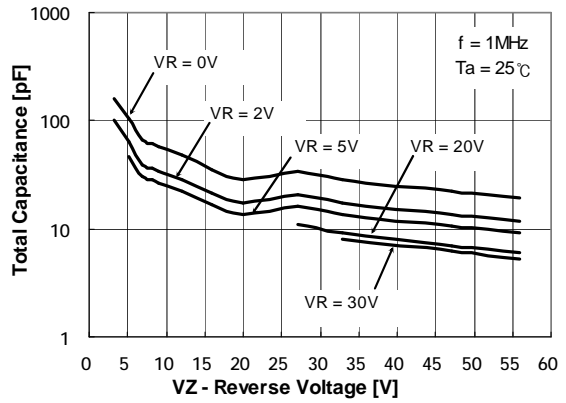


Figure 2. Total Capacitance

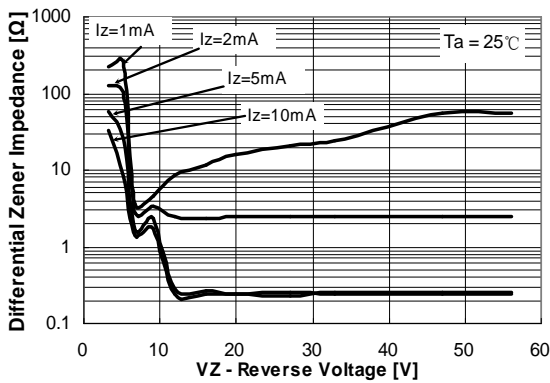


Figure 3. Differential Impedance vs. Zener Voltage

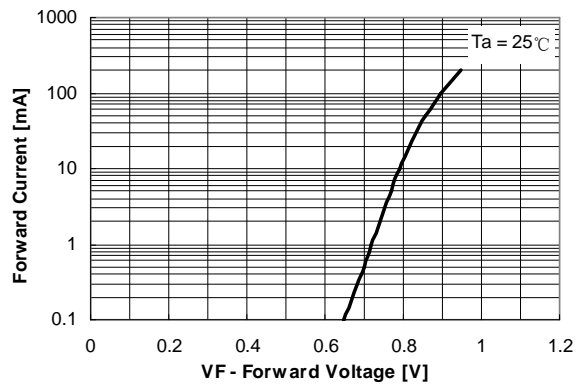


Figure 4. Forward Current vs. Forward Voltage

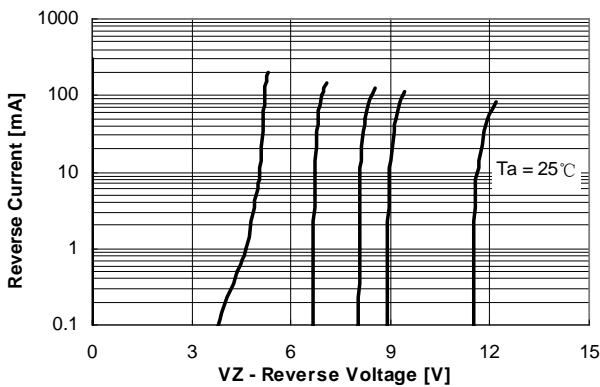


Figure 5. Reverse Current vs. Reverse Voltage

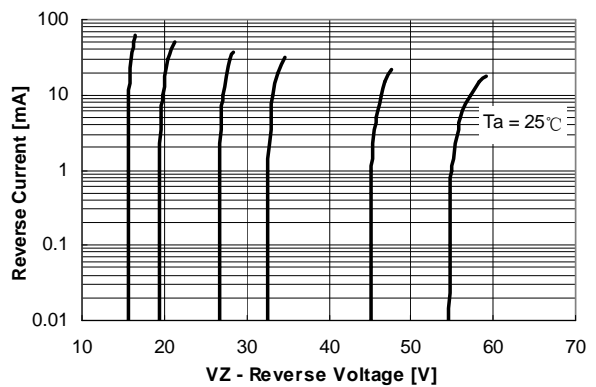
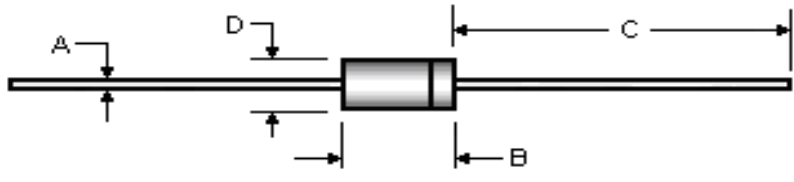


Figure 6. Reverse Current vs. Reverse Voltage

Package Outline

Package	Case Outline				
DO-41					
	<b>DO-41</b>				
	<b>DIM</b>	<b>Millimeters</b>		<b>Inches</b>	
		Min	Max	Min	Max
	<b>A</b>	0.68	0.81	0.027	0.032
	<b>B</b>	---	4.25	---	0.167
<b>C</b>	25.40	---	1.000	---	
<b>D</b>	2.10	2.60	0.083	0.102	

Notes: .

1. DO41 polarity denoted by cathode band.

## X-ON Electronics

Largest Supplier of Electrical and Electronic Components

*Click to view similar products for [Zener Diodes](#) category:*

*Click to view products by [Tak Cheong](#) manufacturer:*

Other Similar products are found below :

[RKZ13B2KG#P1](#) [DL5234B](#) [EDZTE6113B](#) [1N4682](#) [1N4691](#) [1N4693](#) [1N4732A](#) [1N4736A](#) [1N4750A](#) [1N4759ARL](#) [1N5241B](#) [1N5365B](#)  
[1N5369B](#) [1N747A](#) [1N959B](#) [1N964B](#) [1N966B](#) [1N968B](#) [1N972B](#) [NTE5121A](#) [NTE5147A](#) [NTE5152A](#) [NTE5155A](#) [NTE5164A](#)  
[JANS1N4974US](#) [1N4692](#) [1N4700](#) [1N4702](#) [1N4704](#) [1N4711](#) [1N4714](#) [1N4737A](#) [1N4745ARL](#) [1N4752A](#) [1N4752ARL](#) [1N4760ARL](#)  
[1N5221B](#) [1N5236B](#) [1N5241BTR](#) [1N5242BTR](#) [1N5350B](#) [1N5352B](#) [1N961BRR1](#) [1N964BRL](#) [RKZ5.1BKU#P6](#) [3SMAJ5946B-TP](#)  
[3SMAJ5950B-TP](#) [3SMBJ5925B-TP](#) [441774C](#) [BZX84C3V9](#)