

REV. Status

- ISSUE 1  
3/13/92 TS
- ISSUE 2  
TEMECULA  
WAS CARSON.  
UPDATED LABELS  
12/13/93 TS
- ISSUE 3  
REFORMATTED  
05/03/95 TS
- ISSUE 4  
ADDED PF6-24  
AND MICROTRAN  
02/09/96 TS

LOW PROFILE, THREE FLANGE 6VA POWER TRANSFORMER APPROVED TO UL506 AND CSA C22.2 NO. 66-1988 AND USES A UL CLASS B (130°C) APPROVED INSULATION SYSTEM

A. Electrical Specifications (@ 25 C)

1. Input Voltage and Frequency; 115/240V 50/60 Hz
2. Output Voltage; 24V ±5% @ 0.25A load, series  
12V ±5% @ 0.5A load, parallel
3. Output Power; 6 VA
4. Insulation Resistance;  
100 MΩ MIN @ 500VDC, Pri to Sec, Pri to Core, Sec to Core
5. Hi-Pot;  
1500 Vrms 1 minute @ Pri to Sec, Pri to Core  
1500 Vrms 1 minute @ Sec to Core
6. Temperature Rating; 130°C (UL Class "B")

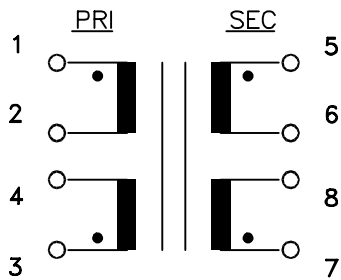


B. Marking; 3FL24-250, TAMURA TEMECULA CA, MICROTRAN, PF6-24, date code, country of origin, input and output ratings, terminal numbers, safety symbols and "130B".

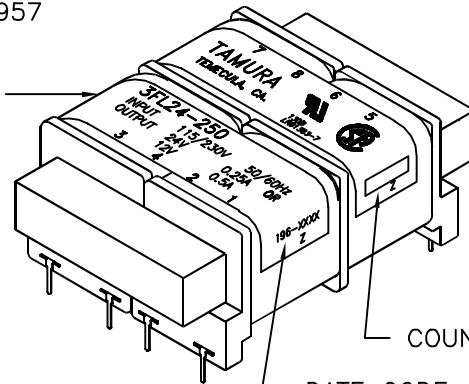
C. Safety:

UL approved, File E145619  
Insulation Class B (130° C) File E92957  
CSA Certified, File LR81383-7

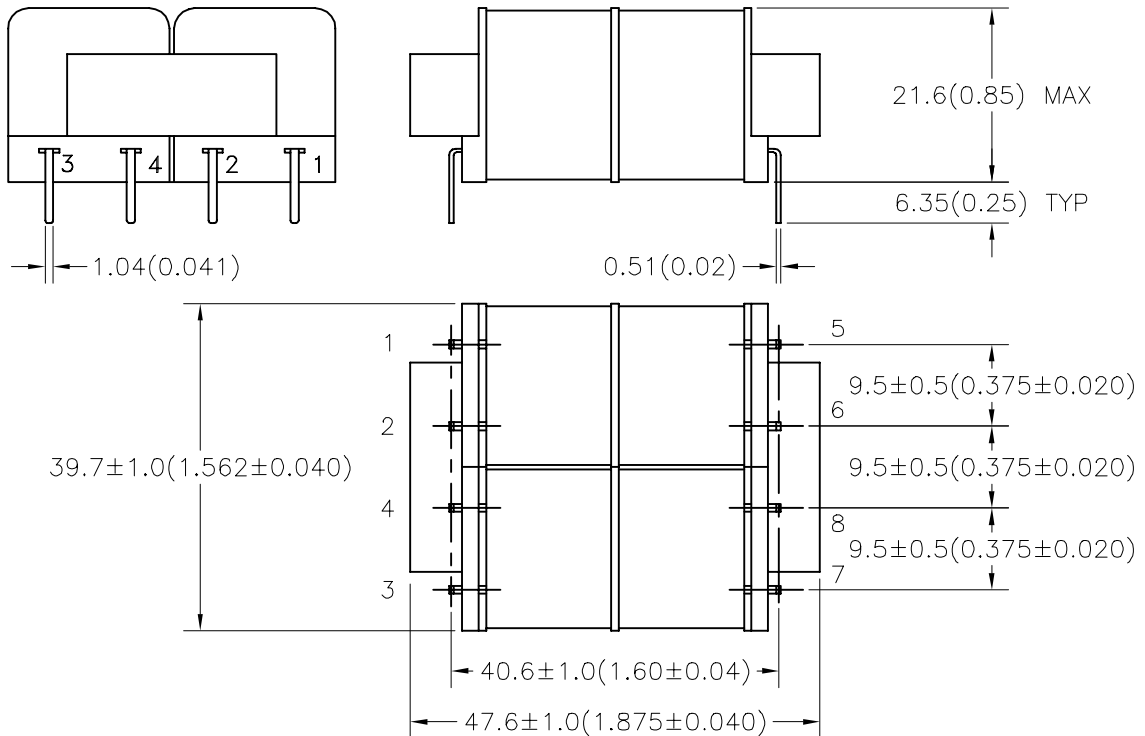
D. Schematic Diagram:



MICROTRAN  
PF6-24



E. Mechanical Specifications:



TOLERANCES (mm)
≤ 4 ± 0.2
4 ≤ 20 ± 0.3
20 ≤ 50 ± 0.4

PREPARED BY:

K. Brennan

ENGINEER:

T. Shiozawa

QUALITY CONTROL:

V. Casey

APPROVED:

V. Casey

DWG CONTROL NO. REV  
P-A1-10577 C  
ACAD\3F\A1105771.DWG

3 FLANGE BOBBIN  
POWER TRANSFORMER

**TAMURA CORPORATION OF AMERICA**  
43352 BUSINESS PARK DRIVE, TEMECULA, CA. 92590-6624  
(909) 699-1270 FAX 9096769482

**3FL24-250**

MODEL SPECIFICATION

DIM: mm(In) SCL: NONE SH: 1 OF 1

PROPRIETARY NOTICE: THIS DRAWING PRINT OR DOCUMENT AND SUBJECT MATTER DISCLOSED HEREIN ARE PROPRIETARY ITEMS TO WHICH TAMURA RETAINS THE EXCLUSIVE RIGHT OF DISSEMINATION, REPRODUCTION, MANUFACTURE AND SALE. THIS DRAWING, PRINT OR DOCUMENT IS SUBMITTED IN CONFIDENCE FOR CONSIDERATION BY THE RECIPIENT ALONE UNLESS PERMISSION FOR FURTHER DISCLOSURE IS EXPRESSLY GRANTED IN WRITING.

MODEL NUMBER

3FL24-250

## **X-ON Electronics**

Largest Supplier of Electrical and Electronic Components

*Click to view similar products for [Power Transformers](#) category:*

*Click to view products by [Tamura](#) manufacturer:*

Other Similar products are found below :

[ET-030A](#) [F-102X](#) [F-120X](#) [F-14X-1](#) [F-181U](#) [F-18A](#) [F-199U](#) [F-19X](#) [F-202U](#) [F-204U](#) [F-206U](#) [F-227X](#) [F-238U](#) [F-239U-1](#) [F-23U](#) [F24-250-B](#)  
[F-242U](#) [F-245U](#) [F-264U](#) [F-265U](#) [F-267U](#) [F-281U](#) [F-283U](#) [F-290X](#) [F-295Z](#) [F-296Z](#) [F-298Z](#) [F-3143P](#) [F-3298Z](#) [F-33U](#) [F-346X](#) [F-35U](#) [F-](#)  
[364U](#) [F-392A](#) [F-395X](#) [F-397U](#) [F-412X](#) [F-47U](#) [F-55X-1](#) [F-60U](#) [F-68U](#) [F-71U](#) [F-72Z](#) [F-74U](#) [F-83A](#) [F-84AC](#) [F-85U](#) [F-86U](#) [F-9U](#) [PCT-02](#)