

REV. Status

REVISION -  
10/22/99 TS

REVISION A  
REV'D SCHEMATIC  
SEE PG. 2  
11/17/99 TS

REVISION B  
ADDED RoHS &  
UPDATED LABELS.  
DELETED CSA#  
LR69223  
02/15/06 MP

REVISION C  
CHG TUV FILE #  
WAS 810/89  
(EN60950 & VDE  
0551). CLARIFIED  
PIN OUTS  
03/30/07 YS

REVISION D  
UPDATED SAFETY  
11/15/07 YS

REVISION E  
UPDATE LOGO'S  
TO STD IED.  
Dielectric  
Withstand WAS  
Hi-Pot 3500.  
4-30-08 EB

REVISION F  
UPDATED SAFETY  
10/19/12 MP

REVISION G  
SAFETY NOTES  
ADDED  
03/20/13 MP

REVISION H  
CHANGED PHONE#  
01/16/20 MP

TOLERANCES (mm)	
≤ 4	± 0.2
4 ≤ 20	± 0.3
20 ≤ 50	± 0.4

PREPARED BY:

C. POPPE

ENGINEER:

M. PICHAJ

SAFETY ENGINEER

APPROVED:

M. PICHAJ

THREE FLANGE DUAL PRIMARY 10VA PC BOARD POWER TRANSFORMER

A. Electrical Specifications (@ 25° C)

1. Maximum Power; 10VA
2. Primary Voltage and Frequency; 115/230VAC 50/60Hz
3. Secondary RMS rating: See tabulation in Table A
4. Voltage Regulation; 25% TYP @ full load to no load
5. Temperature Rise(normal op. cond.); 45°C TYP (60°C MAX)
6. A 10% Input Voltage change will proportionally affect transformer sec voltage. The max. allowed wdg temp under abnormal condition is 155°C
7. Insulation Resistance:  
100MΩ MIN @ 500VDC, Pri to Sec, Pri to Core, Sec to Core
8. Dielectric Withstand: 3750Vrms 1 minute @ Pri to Sec  
1500Vrms 1 minute @ Pri to Core, Sec to Core

B. Marking; includes input and output ratings (per sheet 2)

C. Safety:

Conforms to construction requirement of:  
UL5085-1, -2; CSA No. 66.1, 66.2  
(from Datecode 1244 and onwards).

UL506, UL1411

UL1446 (CLASS 130(B))  
EN61558-1, -2-6

Safety certificate file reference:

UL E138028, E79781, E92957  
CSA 175561

TUV (P.S.) 4478013415698

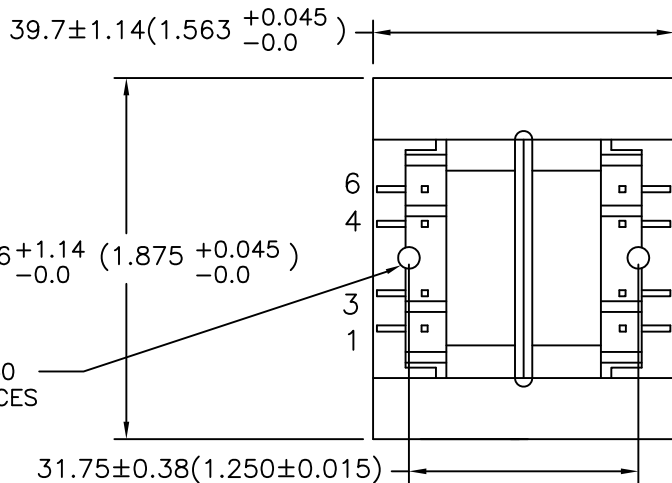
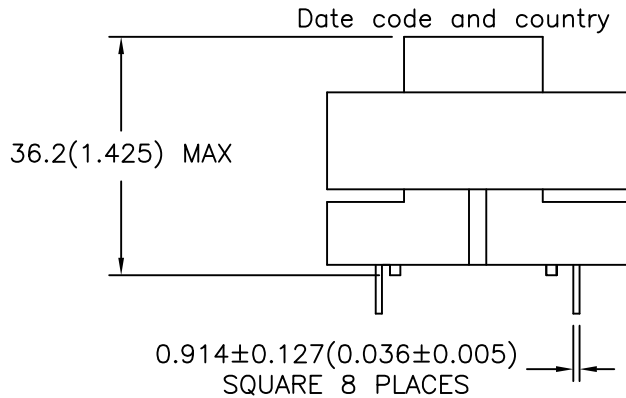
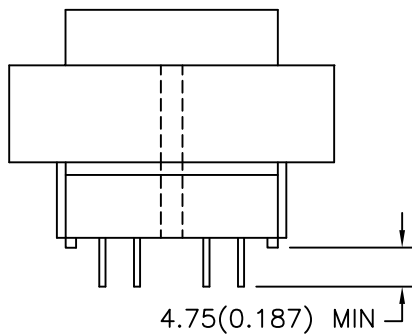
Non short-circuit proof safety isolating transformer.

Intended for mounting on PCBs and for building into end use-equipment.

Not intended for series/parallel connection with other transformers.

Mounting hardware may reduce spacing in end use application.

D. Mechanical Specifications:

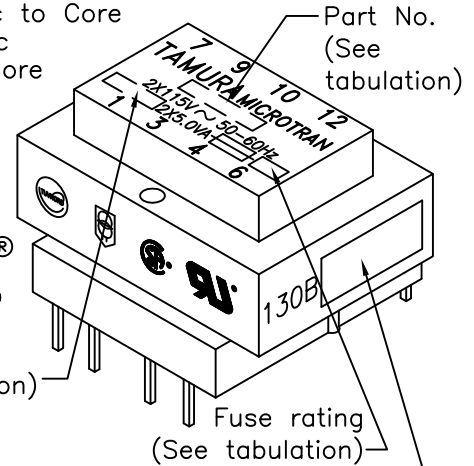


CLEARANCE HOLE FOR 4-40  
Ø 2.87(0.113) MIN. 2 PLACES



MODEL NUMBER

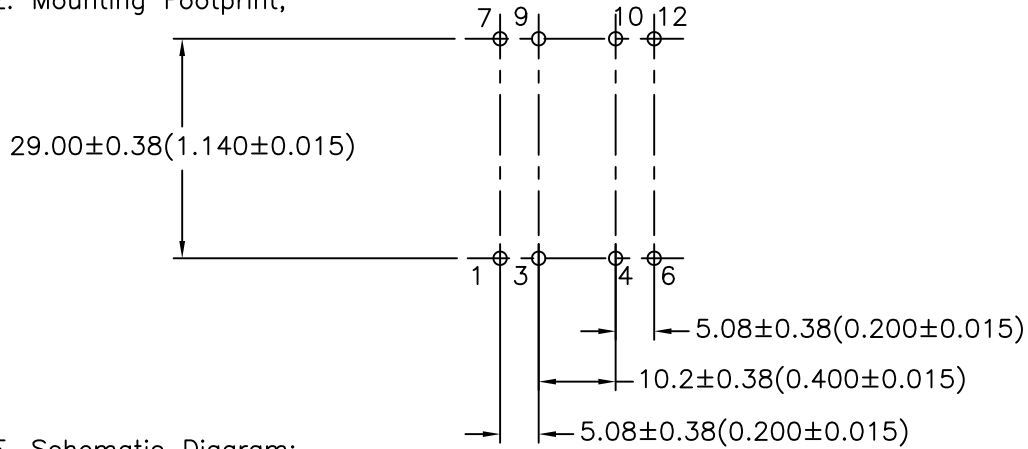
PL10-XX-130B



NOTE: Board washing is not recommended for these parts

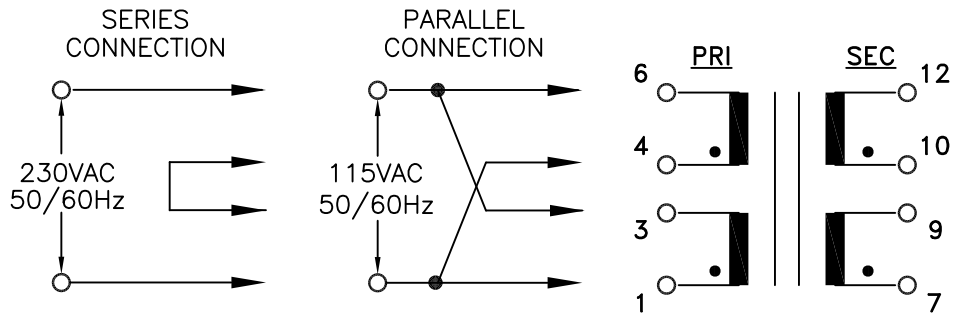
ENGINEER:	DRAWING CONTROL NO.	REV	MODEL DESCRIPTION	MODEL SPECIFICATION
M. PICHAJ	P-A1-12227	H	POWER TRANSFORMER	PL10-XX-130B
SAFETY ENGINEER	<p>CONTENTS OF THIS DRAWING ARE SUBJECT TO CHANGE WITHOUT PRIOR NOTICE</p> <p><b>TAMURA CORPORATION OF AMERICA</b> 1040 SOUTH ANDREASEN DRIVE, #100 ESCONDIDO, CA. 92029 (760) 871-2009</p>			<p>DIM: mm[In] SCL: 1/1 SH: 1 OF 2</p>
APPROVED:	<p>PROPRIETARY NOTICE: THIS DRAWING PRINT OR DOCUMENT AND SUBJECT MATTER DISCLOSED HEREIN ARE PROPRIETARY ITEMS TO WHICH TAMURA RETAINS THE EXCLUSIVE RIGHT OF DISSEMINATION, REPRODUCTION, MANUFACTURE AND SALE. THIS DRAWING, PRINT OR DOCUMENT IS SUBMITTED IN CONFIDENCE FOR CONSIDERATION BY THE RECIPIENT ALONE UNLESS PERMISSION FOR FURTHER DISCLOSURE IS EXPRESSLY GRANTED IN WRITING.</p>			
M. PICHAJ				

E. Mounting Footprint;

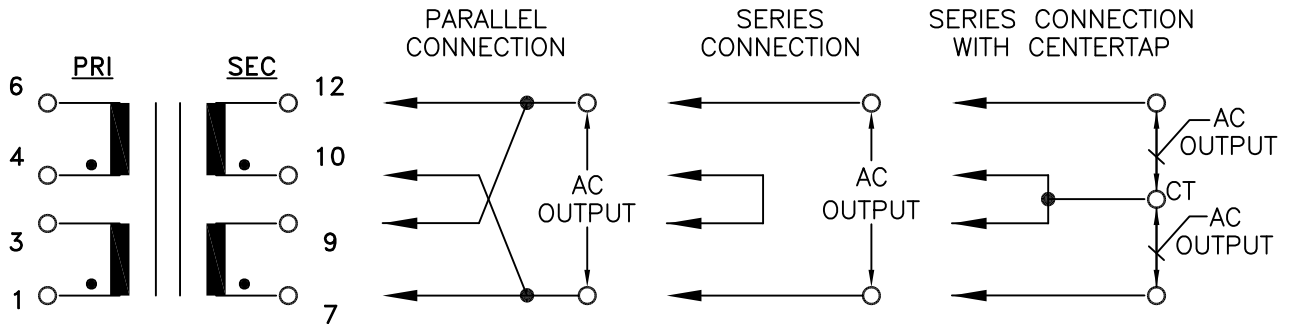


F. Schematic Diagram:

**PRIMARY INPUT CONNECTIONS**



**SECONDARY OUTPUT CONNECTIONS**



T = Time lag

G. Table A:

PART NO.	PARALLEL CONNECTION		SERIES CONNECTION		SERIES WITH CT		OUTPUT	SECONDARY FUSE REQ'D EACH WINDING
	AC VOLTS	RMS AMPS	AC VOLTS	RMS AMPS	AC VOLTS	RMS AMPS		
PL10-10-130B	5.0	2.00	10.0	1.00	5.0-CT-5.0	1.00	2X5.0V	T 1.00A
PL10-12-130B	6.3	1.60	12.6	0.80	6.3-CT-6.3	0.80	2X6.3V	T 0.80A
PL10-16-130B	8.0	1.25	16.0	0.62	8.0-CT-8.0	0.62	2X8.0V	T 0.63A
PL10-20-130B	10.0	1.00	20.0	0.50	10.0-CT-10.0	0.50	2X10.0V	T 0.50A
PL10-24-130B	12.0	0.84	24.0	0.42	12.0-CT-12.0	0.42	2X12.0V	T 0.50A
PL10-28-130B	14.0	0.72	28.0	0.36	14.0-CT-14.0	0.36	2X14.0V	T 0.40A
PL10-36-130B	18.0	0.56	36.0	0.28	18.0-CT-18.0	0.28	2X18.0V	T 0.315A

PREPARED BY:

C. POPPE

ENGINEER:

M. PITCHAI

SAFETY ENGINEER

DRAWING CONTROL NO. P-A1-12227  
REV H

MODEL DESCRIPTION  
POWER TRANSFORMER  
**TAMURA CORPORATION OF AMERICA**  
1040 SOUTH ANDREASEN DRIVE, #100 ESCONDIDO, CA. 92029  
(760) 871-2009

MODEL SPECIFICATION  
**PL10-XX-130B**  
DIM: mm[In] SCL: 1/1 SH: 2 OF 2

APPROVED:

M. PITCHAI

PROPRIETARY NOTICE: THIS DRAWING PRINT OR DOCUMENT AND SUBJECT MATTER DISCLOSED HEREIN ARE PROPRIETARY ITEMS TO WHICH TAMURA RETAINS THE EXCLUSIVE RIGHT OF DISSEMINATION, REPRODUCTION, MANUFACTURE AND SALE. THIS DRAWING, PRINT OR DOCUMENT IS SUBMITTED IN CONFIDENCE FOR CONSIDERATION BY THE RECIPIENT ALONE UNLESS PERMISSION FOR FURTHER DISCLOSURE IS EXPRESSLY GRANTED IN WRITING.

## **X-ON Electronics**

Largest Supplier of Electrical and Electronic Components

*Click to view similar products for [Power Transformers](#) category:*

*Click to view products by [Tamura](#) manufacturer:*

Other Similar products are found below :

[ET-030A](#) [F-102X](#) [F-120X](#) [F-14X-1](#) [F-181U](#) [F-18A](#) [F-199U](#) [F-19X](#) [F-202U](#) [F-204U](#) [F-206U](#) [F-227X](#) [F-238U](#) [F-239U-1](#) [F-23U](#) [F24-250-B](#)  
[F-242U](#) [F-245U](#) [F-264U](#) [F-265U](#) [F-267U](#) [F-281U](#) [F-283U](#) [F-290X](#) [F-295Z](#) [F-296Z](#) [F-298Z](#) [F-3143P](#) [F-3298Z](#) [F-33U](#) [F-346X](#) [F-35U](#) [F-](#)  
[364U](#) [F-392A](#) [F-395X](#) [F-397U](#) [F-412X](#) [F-47U](#) [F-55X-1](#) [F-60U](#) [F-68U](#) [F-71U](#) [F-72Z](#) [F-74U](#) [F-83A](#) [F-84AC](#) [F-85U](#) [F-86U](#) [F-9U](#) [PCT-02](#)