

REV. Status  
 REVISION - 8/19/08 MP  
 REVISION A UPDATE SAFETY 09/29/11 MP  
 REVISION B ADD FUSE INFO 01/18/12 MP  
 REVISION C SAFETY NOTES ADDED 03/20/13 MP  
 REVISION D CHANGED PHONE# 01/17/20 MP

**THREE FLANGE DUAL PRIMARY 20VA PC BOARD POWER TRANSFORMER**

**A. Electrical Specifications (@ 25°C)**

1. Maximum Power: 20VA
2. Primary Voltage and Frequency: 115/230VAC 50/60Hz
3. Secondary RMS Rating:  
 (7-9); 9.3VAC @ 1.5A LOAD.  
 (10-12); 27.5VAC CT @ 0.22A LOAD.
4. Voltage Regulation: 20% TYP @ full load to no load
5. Temperature Rise(normal op. cond.): 45°C TYP (60°C MAX)
6. A 10% Input Voltage change will proportionally affect transformer sec voltage. The max. allowed wdg temp under abnormal condition is 155°C
7. Insulation Resistance:  
 100MΩ MIN @ 500VDC, Pri to Sec, Pri to Core, Sec to Core
8. Dielectric Withstand: 3750Vrms 1 minute @ Pri to Sec  
 1500Vrms 1 minute @ Pri to Core, Sec to Core



MODEL NUMBER

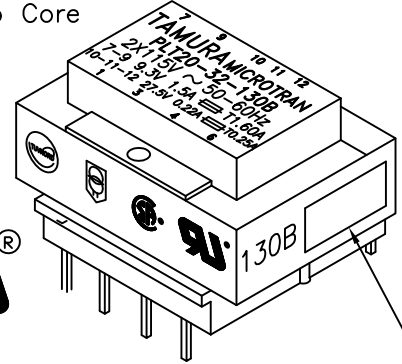
PLT20-32-130B

**B. Marking: includes input and output ratings**  
**C. Safety:**

Conforms to construction requirement of:  
 UL5085-1, -2; CSA No. 66.1, 66.2  
 (from Datecode 1143 and onwards).  
 UL506, UL1411  
 UL1446 (CLASS 130(B))  
 EN61558-1, -2-6



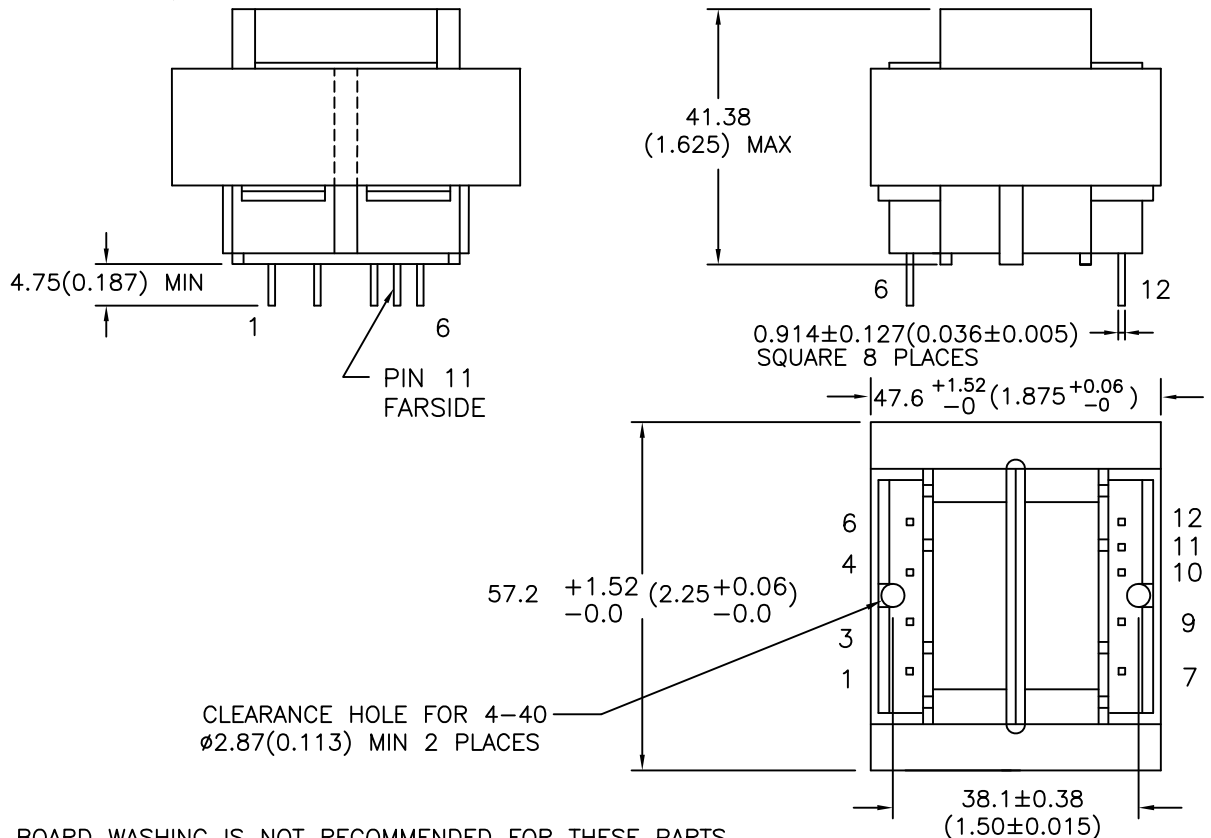
Safety certificate file reference:  
 UL E138028, E79781, E92957  
 CSA 1775561  
 TUV (P.S.) 4478013415698



Date code and country of origin

Non short-circuit proof safety isolating transformer.  
 Intended for mounting on PCBs and for building into end use-equipment.  
 Not intended for series/parallel connection with other transformers.  
 Mounting hardware may reduce spacing in end use application.

**D. Mechanical Specifications:**



TOLERANCES (mm)
≤ 4 ± 0.2
4 ≤ 20 ± 0.3
20 ≤ 50 ± 0.4

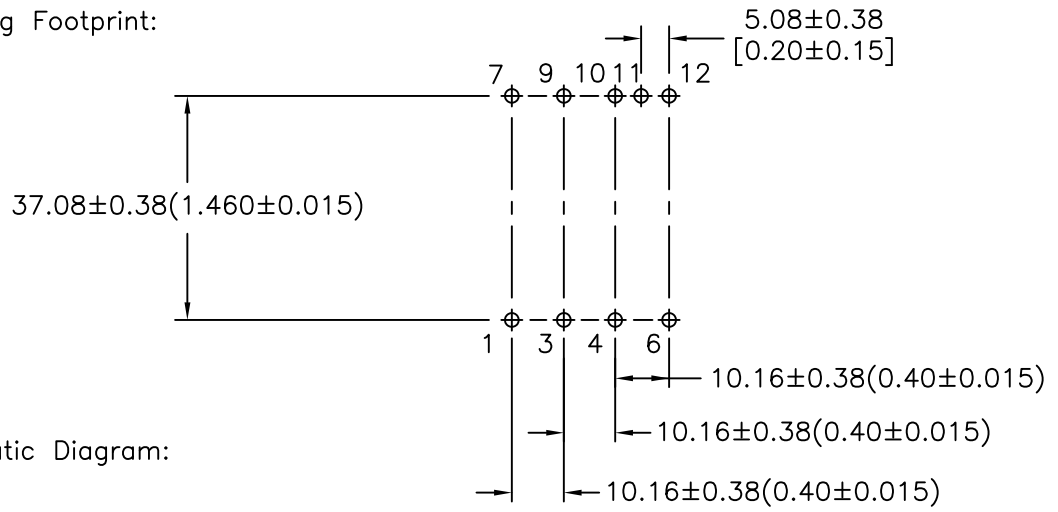
PREPARED BY:

C. POPPE

NOTE: BOARD WASHING IS NOT RECOMMENDED FOR THESE PARTS

ENGINEER: M. PITCHAI	DRAWING CONTROL NO. P-A1-13644	REV D	MODEL DESCRIPTION POWER TRANSFORMER	MODEL SPECIFICATION PLT20-32-130B
SAFETY ENGINEER	CONTENTS OF THIS DRAWING ARE SUBJECT TO CHANGE WITHOUT PRIOR NOTICE			DIM: mm[In] SCL: 1/1 SH: 1 OF 2
APPROVED: M. PITCHAI	<b>TAMURA CORPORATION OF AMERICA</b> 1040 SOUTH ANDREASEN DRIVE, #100 ESCONDIDO, CA. 92029 (760) 871-2009			
PROPRIETARY NOTICE: THIS DRAWING PRINT OR DOCUMENT AND SUBJECT MATTER DISCLOSED HEREIN ARE PROPRIETARY ITEMS TO WHICH TAMURA RETAINS THE EXCLUSIVE RIGHT OF DISSEMINATION, REPRODUCTION, MANUFACTURE AND SALE. THIS DRAWING, PRINT OR DOCUMENT IS SUBMITTED IN CONFIDENCE FOR CONSIDERATION BY THE RECIPIENT ALONE UNLESS PERMISSION FOR FURTHER DISCLOSURE IS EXPRESSLY GRANTED IN WRITING.				

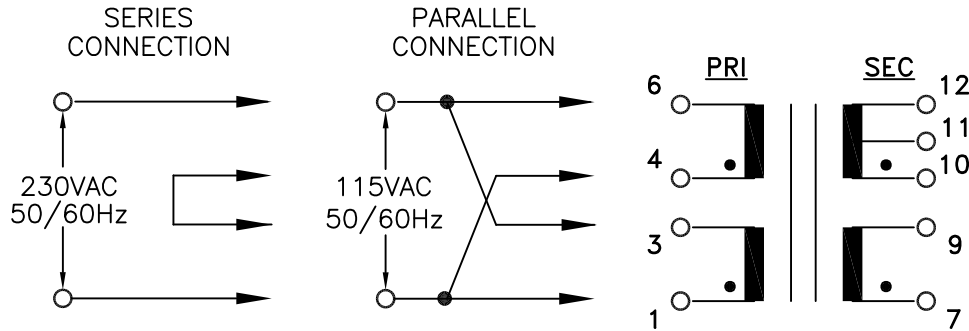
E. Mounting Footprint:



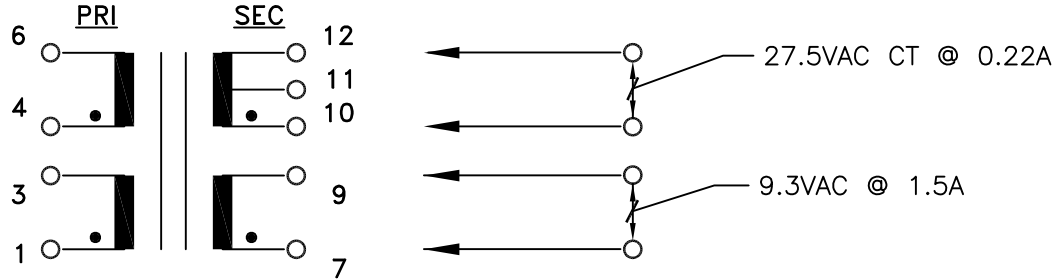
MODEL NUMBER  
**PLT20-32-130B**

F. Schematic Diagram:

**PRIMARY INPUT CONNECTIONS**



**SECONDARY OUTPUT CONNECTIONS**



Note:  
Required Secondary Fusing.  
Winding (7-9): T1.60A  
Winding (10-12): T0.25A  
Fuse accordance with IEC60127-2

PREPARED BY:  
C. POPPE

ENGINEER: M. PITCHAI	DRAWING CONTROL NO. P-A1-13644	REV D	MODEL DESCRIPTION POWER TRANSFORMER	MODEL SPECIFICATION PLT20-32-130B
SAFETY ENGINEER			<p><b>TAMURA CORPORATION OF AMERICA</b> 1040 SOUTH ANDREASEN DRIVE, #100 ESCONDIDO, CA. 92029 (760) 871-2009</p>	
CONTENTS OF THIS DRAWING ARE SUBJECT TO CHANGE WITHOUT PRIOR NOTICE			DIM: mm[In]	SCL: 1/1 SH: 2 OF 2
APPROVED: M. PITCHAI	<p>PROPRIETARY NOTICE: THIS DRAWING PRINT OR DOCUMENT AND SUBJECT MATTER DISCLOSED HEREIN ARE PROPRIETARY ITEMS TO WHICH TAMURA RETAINS THE EXCLUSIVE RIGHT OF DISSEMINATION, REPRODUCTION, MANUFACTURE AND SALE. THIS DRAWING, PRINT OR DOCUMENT IS SUBMITTED IN CONFIDENCE FOR CONSIDERATION BY THE RECIPIENT ALONE UNLESS PERMISSION FOR FURTHER DISCLOSURE IS EXPRESSLY GRANTED IN WRITING.</p>			

## **X-ON Electronics**

Largest Supplier of Electrical and Electronic Components

*Click to view similar products for [Power Transformers](#) category:*

*Click to view products by [Tamura](#) manufacturer:*

Other Similar products are found below :

[ET-030A](#) [F-102X](#) [F-120X](#) [F-14X-1](#) [F-181U](#) [F-18A](#) [F-199U](#) [F-19X](#) [F-202U](#) [F-204U](#) [F-206U](#) [F-227X](#) [F-238U](#) [F-239U-1](#) [F-23U](#) [F24-250-B](#)  
[F-242U](#) [F-245U](#) [F-264U](#) [F-265U](#) [F-267U](#) [F-281U](#) [F-283U](#) [F-290X](#) [F-295Z](#) [F-296Z](#) [F-298Z](#) [F-3143P](#) [F-3298Z](#) [F-33U](#) [F-346X](#) [F-35U](#) [F-](#)  
[364U](#) [F-392A](#) [F-395X](#) [F-397U](#) [F-412X](#) [F-47U](#) [F-55X-1](#) [F-60U](#) [F-68U](#) [F-71U](#) [F-72Z](#) [F-74U](#) [F-83A](#) [F-84AC](#) [F-85U](#) [F-86U](#) [F-9U](#) [PCT-02](#)