



TELECOMMUNICATION DRY COUPLING TRANSFORMER DESIGNED TO OPERATE AT A MAX LEVEL OF +7dBm AND TO REFLECT A PRIMARY SOURCE IMPEDANCE OF APPROXIMATELY 600Ω WITH 600Ω/600Ω LOAD ON SECONDARY

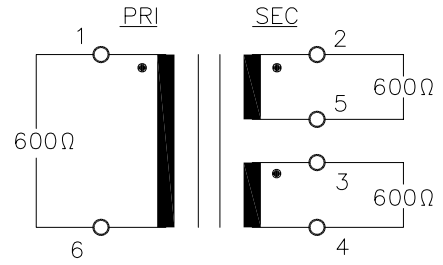
MODEL NUMBER
TTC-10

REV. Status
 REVISION - 04/08/94 TS
 REVISION A ADDED T2220 MICROTRAN AND SAFETY 10/05/95 TS
 REVISION B REVISED DIM MAX HEIGHT WAS 18.8(0.74) 01/31/96 TS
 REVISION C ADDED RoHS. UL1459 WAS UL1863. DIM 20.3(0.799) WAS 19.8(0.781) 10/17/06 MP

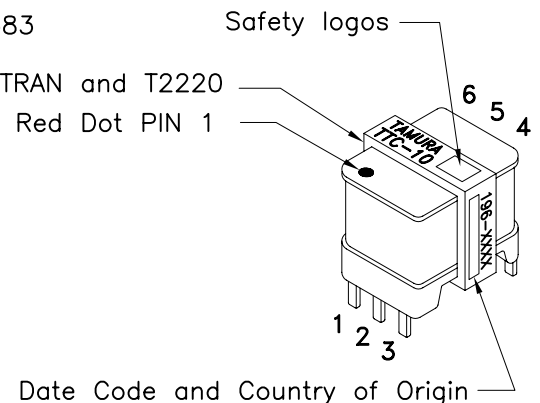
- A. Electrical Specifications (@ 25 ° C)
- Pri Source Impedance; 600Ω
 - Sec Load Impedance; 600Ω/600Ω
 - Operating Level; +7 dBm MAX
 - Insertion Loss; 1.2 dB MAX @ 1 KHz, 0 dBm
 - Frequency Response; ±0.5 dB 300 Hz to 3.5 KHz @ 0 dBm
 - Longitudinal Balance; 60 dB MIN @ 200 Hz to 1 KHz
40 dBm MIN @ 4 KHz
 - DC Resistance; (1-6) = 57 Ω ±20%
(2-5) = 42 Ω ±20%
(3-4) = 42 Ω ±20%
 - Turns Ratio; (1-6) : (2-5) = 1 : 0.736 ±2%
(1-6) : (3-4) = 1 : 0.736 ±2%
 - Dielectric Strength; 1500 Vrms 1 minute @ Pri to Sec, and Core
1000 Vrms 1 minute @ Sec to Core
150 Vrms 1 minute @ Sec to Sec
10. Note: All testing will be calibrated based on 600Ω vs 1200Ω CT impedance matching and connection
- B. Marking; TTC-10, TAMURA, T2220, MICROTRAN, safety agency logos, 196-date code and country of origin
- C. Safety; CSA-22.2 No. 66-M1988 File No. LR81383
UL 1459 File No. E142035



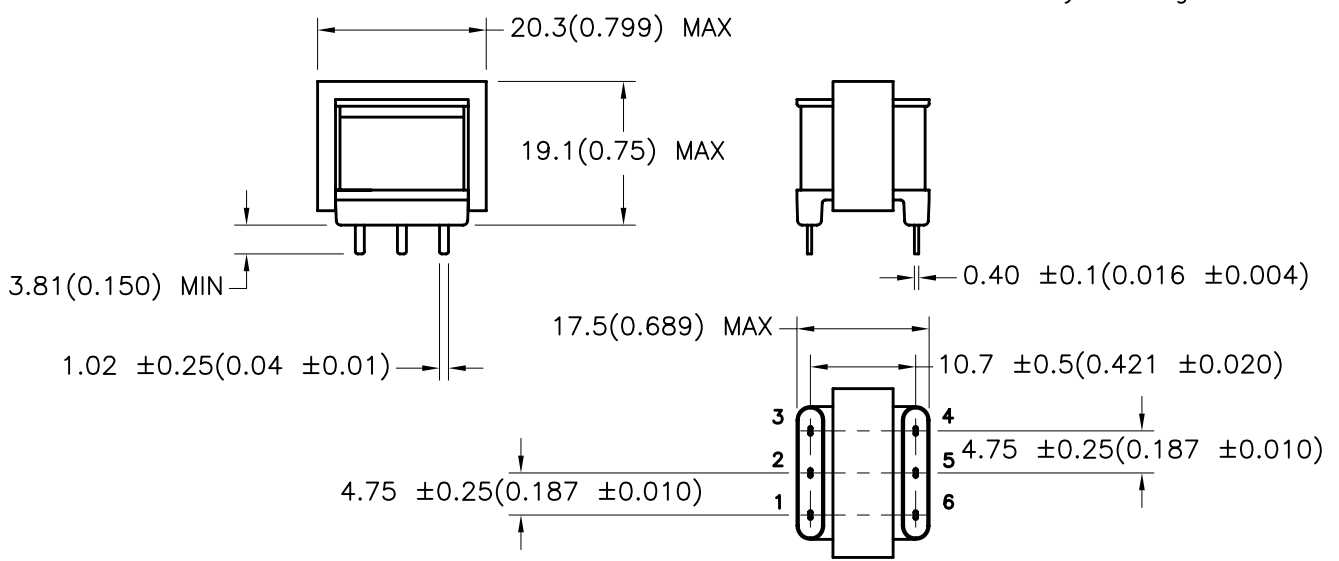
D. Schematic Diagram



MICROTRAN and T2220



E. Mechanical Specifications



TOLERANCES (mm)	
≤ 4	± 0.2
4 ≤ 20	± 0.3
20 ≤ 50	± 0.4

PREPARED BY:
K. BRENNAN

ENGINEER: M. PITCHAI	DWG CONTROL NO. P-A1-11024 ACAD/TTC/A1110241.DWG	REV C	TELECOMMUNICATION COUPLING TRANSFORMER	TTC-10 MODEL SPECIFICATION
QUALITY CONTROL: T. CLEM	CONTENTS OF THIS DRAWING ARE SUBJECT TO CHANGE WITHOUT PRIOR NOTICE		TAMURA CORPORATION OF AMERICA 43352 BUSINESS PARK DRIVE, TEMECULA, CA. 92590-6624 (951) 699-1270 FAX 9516769482	

APPROVED:
Y. SEKIGUCHI

PROPRIETARY NOTICE: THIS DRAWING PRINT OR DOCUMENT AND SUBJECT MATTER DISCLOSED HEREIN ARE PROPRIETARY ITEMS TO WHICH TAMURA RETAINS THE EXCLUSIVE RIGHT OF DISSEMINATION, REPRODUCTION, MANUFACTURE AND SALE. THIS DRAWING, PRINT OR DOCUMENT IS SUBMITTED IN CONFIDENCE FOR CONSIDERATION BY THE RECIPIENT ALONE UNLESS PERMISSION FOR FURTHER DISCLOSURE IS EXPRESSLY GRANTED IN WRITING.

X-ON Electronics

Largest Supplier of Electrical and Electronic Components

Click to view similar products for [Tamura manufacturer](#):

Other Similar products are found below :

[PF24-24](#) [M7298](#) [M7456](#) [MEI-02](#) [PF2.5-56](#) [PL10-24](#) [PL20-28](#) [PM34-MSP](#) [11B001H](#) [11D017H](#) [HBL-0334](#) [RCN-0505](#) [BAN-0215](#) [NAN-0512](#) [NAP-0512](#) [NDP-0524](#) [NEM-101](#) [NES-023](#) [IFS-2412](#) [IKS-2412](#) [ONX-05D](#) [ONX-5C](#) [PAS250-5-AG](#) [L03S050D15](#) [S21Z100D15](#) [SB3516-3016](#) [SKC-102](#) [SKC-103](#) [SKC-303](#) [SKC-503](#) [SKC-602](#) [SKC-603](#) [SKC-801](#) [SL1-450-M](#) [AAD130SD-40](#) [AAD160-3404-A](#) [SPT-45](#) [SWA-1002](#) [SWA-1504W](#) [FVS-502T](#) [PHL-009](#) [PHT-029-3](#) [PM32-F](#) [PSD4-16](#) [HBL-0293](#) [RCN-1212](#) [M7205](#) [MEI-01](#) [MET01-T](#) [TPAS-203](#)