

REV. Status

REVISION - 06/10/03 MP
REVISION A CHANGED DIMS 03/10/04 MP
REVISION B ADDED REFLOW PROFILE & RoHS 11/01/07 YS
REVISION C REVISED TEMP RATING 06/08/15 MP
REVISION D CHANGED SCHEMATIC-SEC TO 330 ohms 06/02/16 MP

MINIATURE ENCAPSULATED TELECOMMUNICATION V.90 MODEM TRANSFORMER

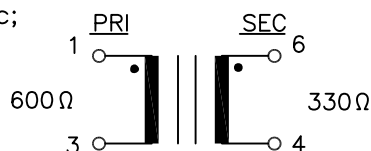
A. Electrical Specifications (@ 25°C)

1. Primary Impedance; 600Ω
2. Secondary Impedance; 330Ω
3. Insertion Loss: 3.0dB MAX @ 2KHz, 0dBm
4. Frequency Response; ±0.20dB @ 200Hz to 4KHz, 0dBm
5. Longitudinal Balance;
80dB MIN @ 200Hz to 4KHz, 0dBm
6. Return Loss; 16dB MIN @ 200Hz to 4KHz, 0dBm
7. Primary Inductance; 5.0H MIN @ 200Hz, 0.78Vrms, Lp
Measured (1-3)
8. Leakage Inductance; 10mH MAX @ 1KHz, 0.78Vrms
Measured (1-3) with 6 & 4 shorted
9. DC Resistance;
(1-3):150Ω ±15%
(6-4):150Ω ±15%
10. Turns Ratio; (1-3):(6-4)=1:1.00 ±2%
11. Total Harmonic Distortion;
-82dB MAX @ 600Hz, -10dBm (-85dB TYP)
12. Dielectric Strength; 1875Vrms 1 second @ Pri-Sec

B. Marking; TTC-5024, TAMURA, date code and country of origin

C. Safety; Certified to UL60950, EN60950

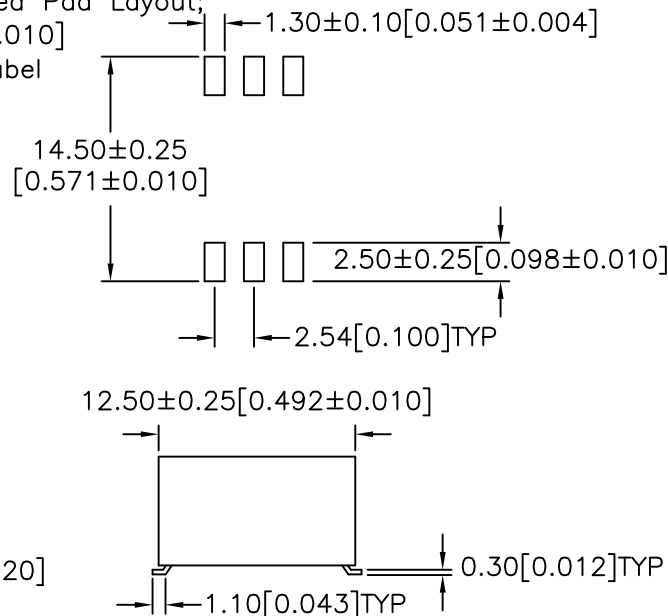
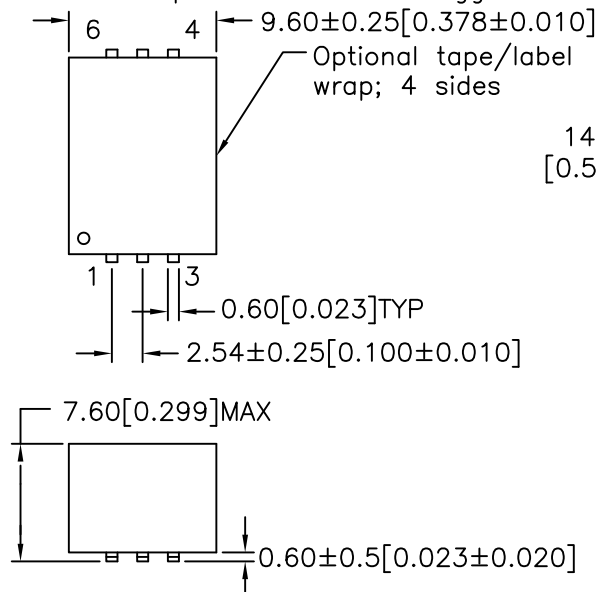
D. Schematic;



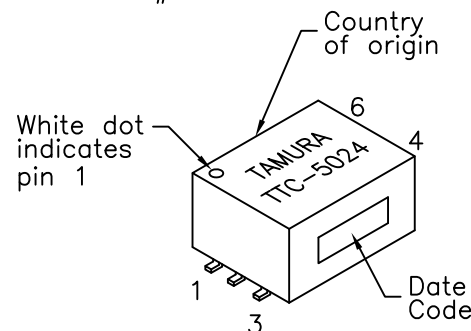
E. Operating Temperature: -20 to +85°C
Storage Temperature: -20 to +85°C

F. Suggested Reflow Profile (Terminal)
Customer to determine proper profile based on actual conditions.

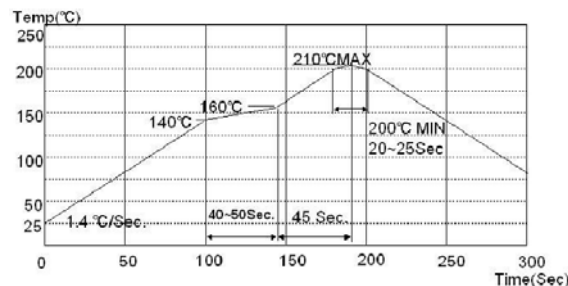
G. Mechanical Specifications and Suggested Pad Layout;



UL #E208555



NOTE: Board washing is not recommended for these parts.



PREPARED BY:
C. POPPE

ENGINEER: MATHI P.	DRAWING CONTROL NO. P-A1-12880	REV D	MODEL DESCRIPTION TELECOMMUNICATION V.32 MODEM TRANSFORMER	MODEL SPECIFICATION TTC-5024
SAFETY ENGINEER			TAMURA CORPORATION OF AMERICA 1040 SOUTH ANDREASEN DRIVE, #100 ESCONDIDO, CA. 92029 (951) 699-1270 FAX 7607400536	
CONTENTS OF THIS DRAWING ARE SUBJECT TO CHANGE WITHOUT PRIOR NOTICE			DIM: mm[In] SCL: 2/1 SH: 1 OF 1	
APPROVED: M. PITCHAI				
PROPRIETARY NOTICE: THIS DRAWING PRINT OR DOCUMENT AND SUBJECT MATTER DISCLOSED HEREIN ARE PROPRIETARY ITEMS TO WHICH TAMURA RETAINS THE EXCLUSIVE RIGHT OF DISSEMINATION, REPRODUCTION, MANUFACTURE AND SALE. THIS DRAWING, PRINT OR DOCUMENT IS SUBMITTED IN CONFIDENCE FOR CONSIDERATION BY THE RECIPIENT ALONE UNLESS PERMISSION FOR FURTHER DISCLOSURE IS EXPRESSLY GRANTED IN WRITING.				

MODEL NUMBER

TTC-5024

X-ON Electronics

Largest Supplier of Electrical and Electronic Components

Click to view similar products for [Audio Transformers](#) / [Signal Transformers](#) category:

Click to view products by [Tamura](#) manufacturer:

Other Similar products are found below :

[CX2041NLT](#) [MGPWT-00449-P](#) [PE-64961](#) [H1302FNLT](#) [H5008FNL](#) [H5012FNL](#) [H5020FNLT](#) [H5077NLT](#) [H5079NLT](#) [H5084FNLT](#)
[B78476A9558A003](#) [1812WBT2-4](#) [1879479-1](#) [HX2260FNL](#) [HX5014FNL](#) [EX2024FNL](#) [FL1066](#) [T1137NLT](#) [T3012NL](#) [PE-65812FNL](#) [PE-65848FNLT](#) [H1174FNL](#) [H1302FNL](#) [H5015FNL](#) [H5019EFNL](#) [H5062FNLT](#) [CX2047LNL](#) [MGPWT-00059-P](#) [MGPWT-00266-P](#) [MGPWT-00278-P](#) [MGPWT-00431-P](#) [TTC-100](#) [TTC-143-H](#) [TTC-5032-1](#) [BX1194WNLT](#) [HX1234NLT](#) [HX5008FNLT](#) [HX5019FNL](#) [HX5084NL](#) [3-1879385-5](#) [TX1263NLT](#) [4-1879391-0](#) [T1142NL](#) [HX6101FNL](#) [HX5084FNL](#) [HX1148NL](#) [HX5020FNLT](#) [HX5014FNLT](#) [T1124NL](#)
[1879732-1](#)