



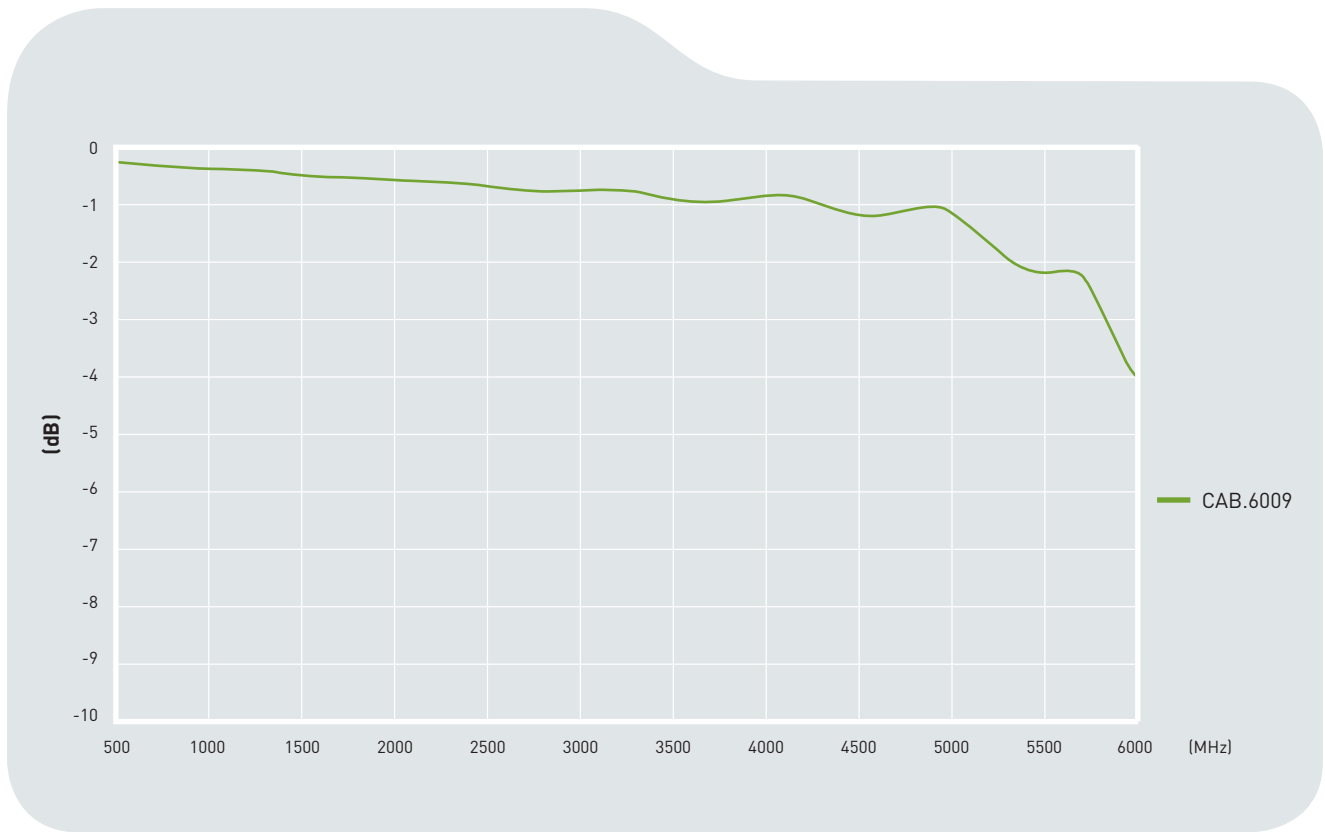
Close-up of CAB.6009

CAB.6009

Specification

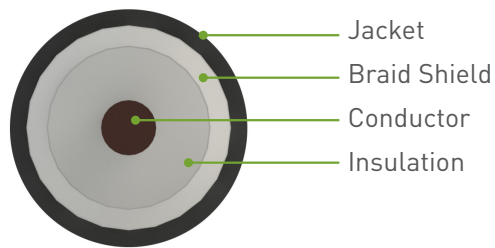
Part No.	CAB.6009
Product Name	CAB.6009 Taoglas Cable Assembly TNC(F) Jack with O-Ring to 100mm (3.94") 1.37 to IPEX MHFHT(U.FL comp)

1. Cable Insertion Loss

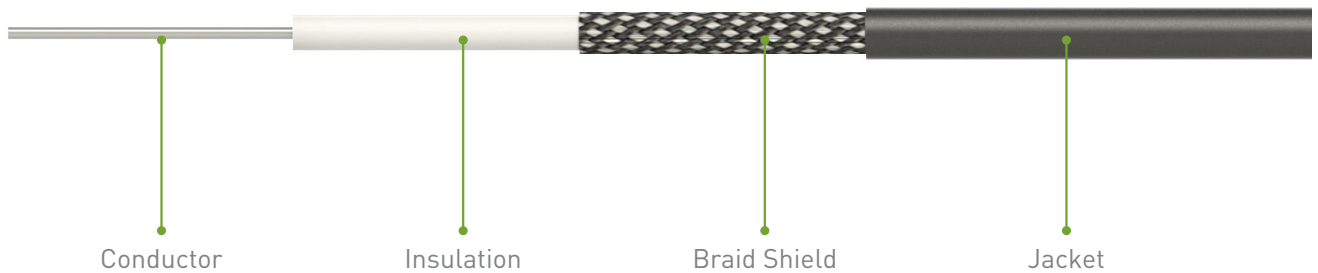


2. 1.37 Cable Specification

2.1 Drawing - Cross Section



2.2 Structure and Dimensions



Conductor

- Material - Silver Coated Copper
- 30AWG(7/0.102mm)
- Diameter - 0.31mm

Insulation

- Material - FEP
- Avg. Thickness - 0.30mm
- Diameter - $0.92 \pm 0.03\text{mm}$
- Colour - Clear

Braid Shield

- Material - Silver Coated Copper
- Structure - 16/6/0.050mm ± 0.003
- Coverage - 95%
- Diameter - $1.15 \pm 0.05\text{mm}$

Jacket

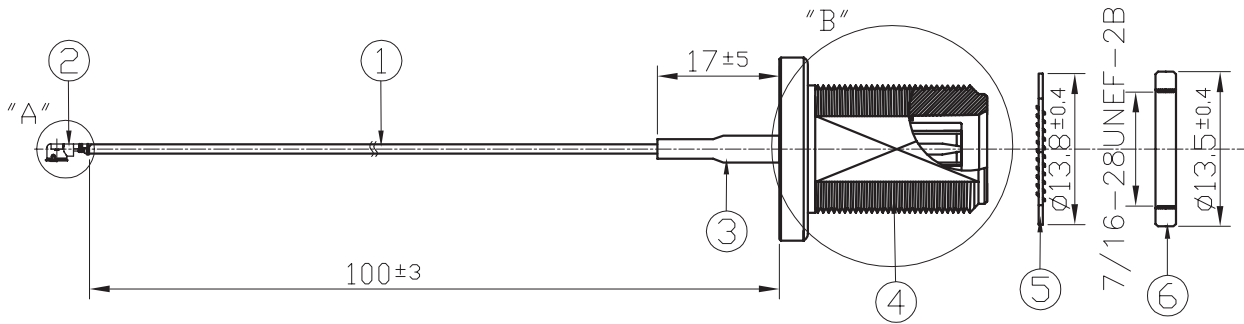
- Material - FEP
- Avg. Thickness - 0.13mm
- Diameter - $1.37 \pm 0.05\text{mm}$
- Color - Grey GY-08/Black

2.3 Electrical & Physical Specification

SPECIFICATION			
Item:		30 AWG	
Rating Temp Voltage:		105°C 30V UL 1979	
Insulation Resistance:		3000 MEGA OHM-KM Min.	
Conductor Resistance:		335 OHM/KM/20°C Max.	
Dielectric Strength:		AC 1.0 KV/minute	
Spark test:		2.5 KV	
Insulation	Unaged	Tensile Strength	2500 PSI Min.(1.76Kg/mm ²)
	Aged	Elongation	200% min.
Jacket	Unaged	Tensile Strength	Unaged Min 75%(168HRS*232°C)
	Aged	Elongation	Unaged Min 75%(168HRS*232°C)
Insulation	Unaged	Tensile Strength	2500 PSI Min.(1.76Kg/mm ²)
	Aged	Elongation	200% min.
Jacket	Unaged	Tensile Strength	Unaged Min 75%(168HRS*232°C)
	Aged	Elongation	Unaged Min 75%(168HRS*232°C)
Nom. Impedance		50 ± 3 Ohms	
Nom. Capacitance		96 ± 3 pF/m	
Nom. Vel. Of Prop.		69%	
VSWR (0-6GHz)		Max 1.3	
Flame Test		VW-1 OK	
Thermal Shock		Less 1mm at 232°C/1 HR	
Bend Radius		9mm min.	
Attenuation (dB/1M)		2.0GHz	2.20
		2.4GHz	2.60
		3.0GHz	2.80
		4.0GHz	3.40
		5.0GHz	3.80
		6.0GHz	4.30

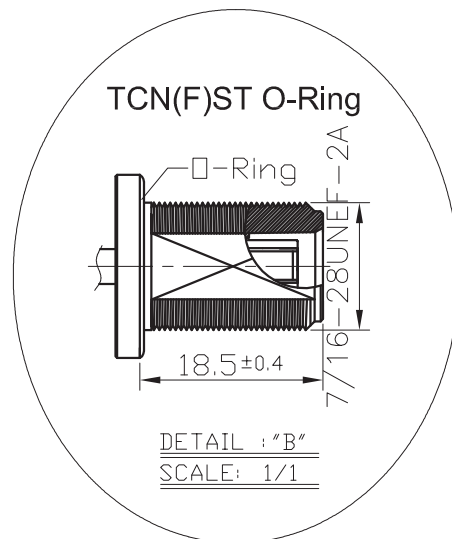
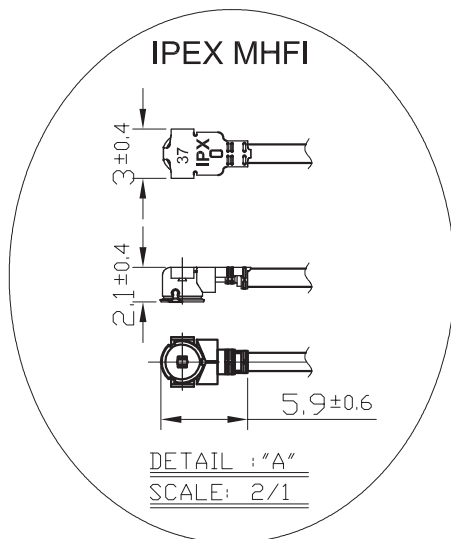
3. Technical Drawing

3.1 CAB.695



	Name	Material	Finish	QTY
1	1.37 Coaxial Cable	FEP	Black	1
2	IPEX MHFI Connector	Brass	Gold	1
3	Heat Shrink Tube	PE	Black	1
4	TNC(F)ST O-Ring	Brass	Ni Plated	1
5	TNC Washer	Brass	Ni Plated	1
6	TNC NUT	Brass	Ni Plated	1

3.2 Connectors



X-ON Electronics

Largest Supplier of Electrical and Electronic Components

Click to view similar products for [RF Cable Assemblies](#) category:

Click to view products by [Taoglas](#) manufacturer:

Other Similar products are found below :

[73-6352-10](#) [73-6353-3](#) [73-6364-6](#) [R285001001](#) [R288940004](#) [145111-05-12.00](#) [1661-C-24](#) [1801171170914KE](#) [24P104C24J1-012](#)
[24P104C24P1-006](#) [24P104C24P1-018](#) [24P204C24J1-003](#) [172-2150-EX](#) [1800920920914PJ](#) [FCB-3030-ALT](#) [21117-046](#) [21117-050](#) [PCX-24-](#)
[50](#) [24P103C24P2-003](#) [25P203C25P2-003](#) [PTWY-24-78](#) [R284008001](#) [R285001021](#) [R285426000](#) [R288940003](#) [R288940008](#) [RF179-74BJ3-](#)
[77RP1-0305](#) [4814-BB-24](#) [5260-72](#) [JT2N1-CL1-1F](#) [DLP-COAX1](#) [4814-K-48](#) [115101-09-06.00](#) [MXHT83QE3000](#) [CCNTN2-MM-LL335-26](#)
[73-6351-25](#) [73-6352-3](#) [73-6353-25](#) [1800920920610PJ](#) [GD0BQ0BQ024.0](#) [1-3636-600-5210](#) [TL8A-11SMA-11SMA-01500-51](#)
[R284C0351060](#) [R288940009](#) [R284C0351028](#) [R288940002](#) [9702-1SL-1](#) [PT82NSMA](#) [73-6353-10](#) [R285020301W](#)