

SPECIFICATION

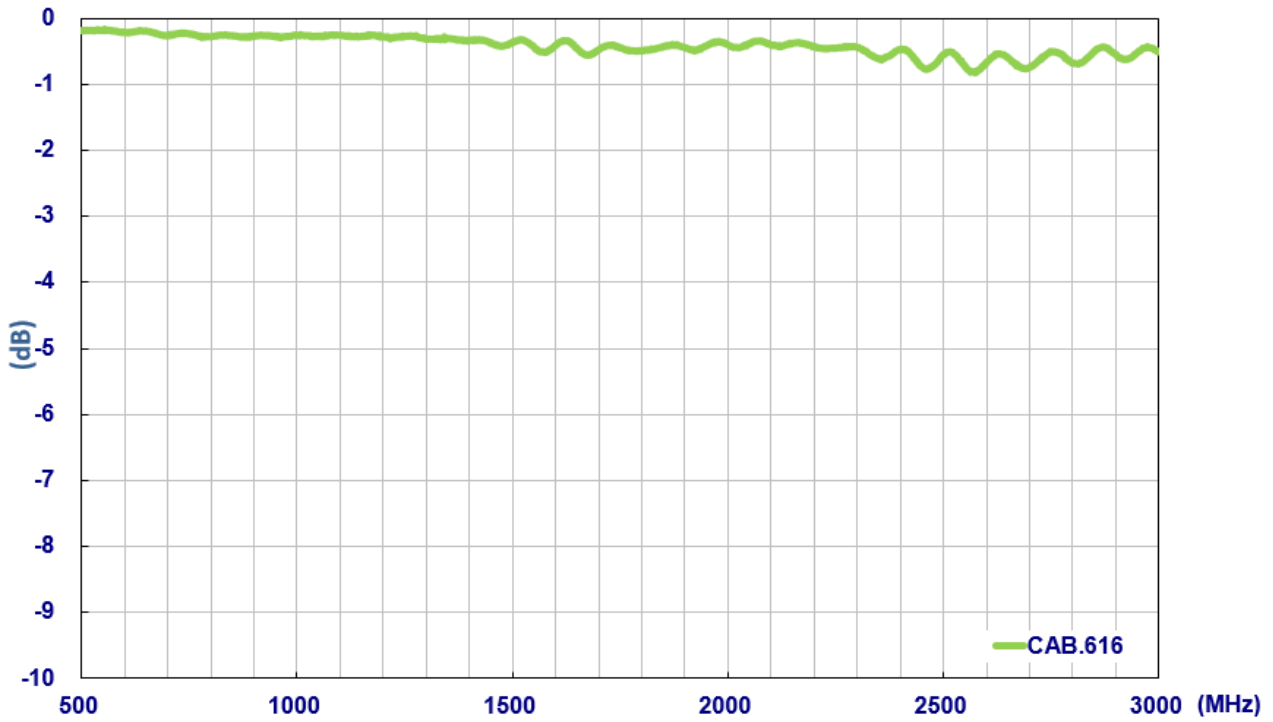
Part No. : **CAB.616**

Product Name : Taoglas Cable Assembly
IPEX MHFI to SMA(F)Bulkhead Straight with O-Ring Connector
with 100mm \varnothing 1.37 cable

Photo :

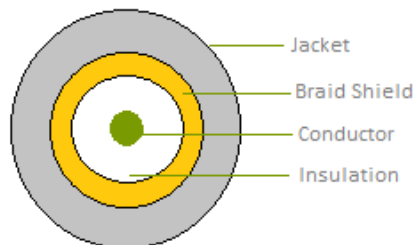


1. Cable Insertion Loss

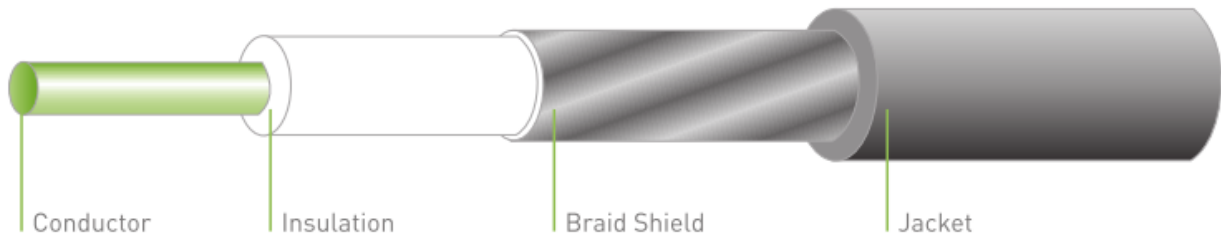


2. 1.37 Cable Specification

2.1 Drawing – Cross Section



2.2 Structure and Dimensions



- Material – Silver Coated Copper
- 30AWG(7/0.102mm)
- Diameter - 0.31mm

- Material – FEP
- Avg. Thickness- 0.30mm
- Diameter – $0.92 \pm 0.03\text{mm}$
- Color - Clear

- Material–Tinned-Coated Copper
- Structure – 16/6/0.050mm \pm 0.003
- Coverage – 95%
- Diameter – $1.15 \pm 0.05\text{mm}$

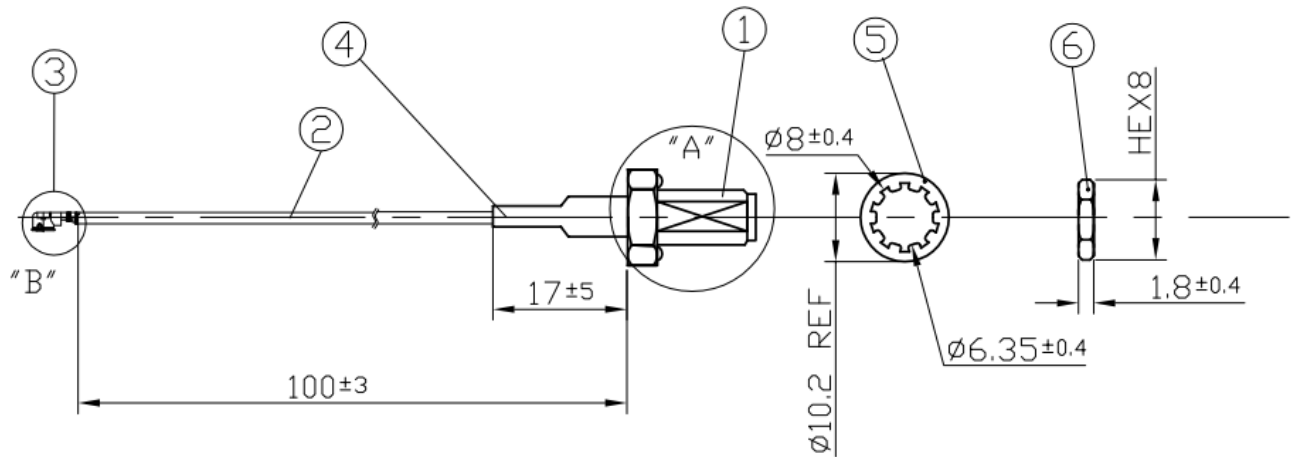
- Material – FEP
- Avg. Thickness- 0.13mm
- Diameter – $1.37 \pm 0.05\text{mm}$
- Color – Grey GY-08/Black

2.3 Electrical & Physical Specification

1	Item:	30 AWG		
2	Rating Temp Voltage:	105°C 30V UL 1979		
3	Insulation Resistance:	3000 MEGA OHM-KM Min.		
4	Conductor Resistance:	335 OHM/KM/20°C Max.		
5	Dielectric Strength:	AC 1.0 KV/minute		
6	Spark test:	2.5 KV		
7	Insulation	Unaged	Tensile Strength Elongation	2500 PSI Min.(1.76Kg/mm ²) 200% min.
		Aged	Tensile Strength Elongation	Unaged Min 75%(168HRS*232°C) Unaged Min 75%(168HRS*232°C)
	Jacket	Unaged	Tensile Strength Elongation	2500 PSI Min.(1.76Kg/mm ²) 200% min.
		Aged	Tensile Strength Elongation	Unaged Min 75%(168HRS*232°C) Unaged Min 75%(168HRS*232°C)
9	Nom. Impedance	50 ± 3 Ohms		
10	Nom. Capacitance	96 ± 3 pF/m		
11	Nom. Vel. Of Prop.	69%		
12	VSWR (0-6GHz)	Max 1.3		
13	Flame Test	VW-1 OK		
14	Thermal Shock	Less 1mm at 232°C/1 HR		
13	Bend Radius	9mm min.		
14	Attenuation (dB/1M)	2.0GHz	2.20	
		2.4GHz	2.60	
		3.0GHz	2.80	
		4.0GHz	3.40	
		5.0GHz	3.80	
		6.0GHz	4.30	

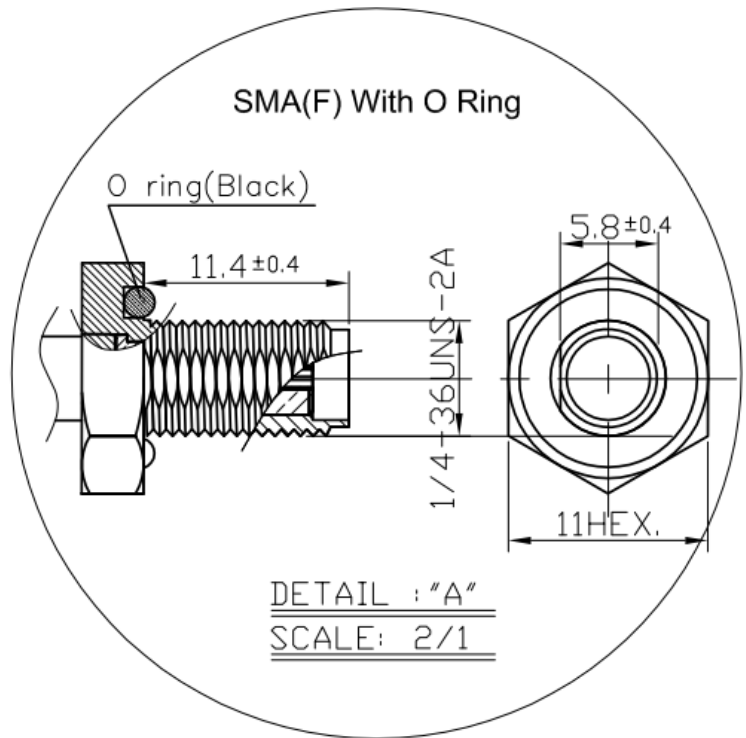
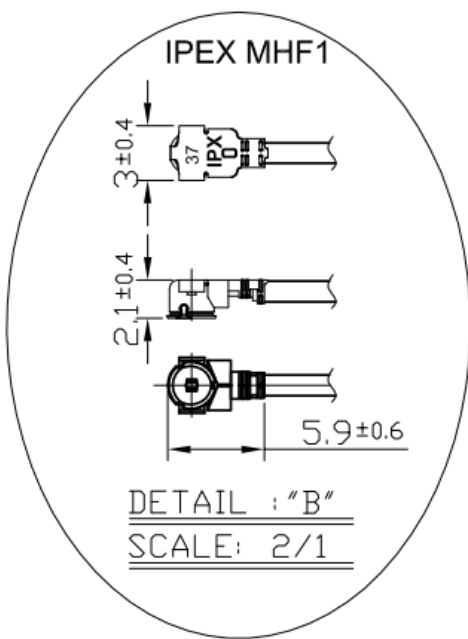
3. Technical Drawing

3.1 CAB.616

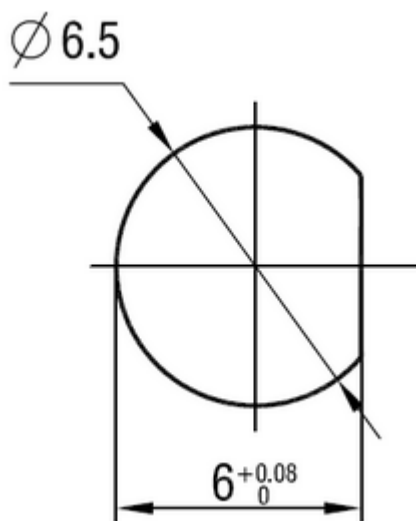


	Name	Material	Finish	QTY
1	SMA(F) With O Ring	Brass	Gold	1
2	1.37 Coaxial Cable	FEP Jacket	Black	1
3	IPEX MHF1	Brass	Gold	1
4	Heat Shrink Tube	PE	Black	1
5	Washer	Brass	Gold	1
6	Nut	Brass	Gold	1

3.2 Connectors



3.3 Recommended Mounting Hole – SMA(F) Bulkhead



X-ON Electronics

Largest Supplier of Electrical and Electronic Components

Click to view similar products for [RF Cable Assemblies](#) category:

Click to view products by [Taoglas](#) manufacturer:

Other Similar products are found below :

[73-6352-10](#) [73-6353-3](#) [73-6364-6](#) [R285001001](#) [R288940004](#) [145111-05-12.00](#) [1661-C-24](#) [1801171170914KE](#) [24P104C24J1-012](#)
[24P104C24P1-006](#) [24P104C24P1-018](#) [24P204C24J1-003](#) [172-2150-EX](#) [1800920920914PJ](#) [FCB-3030-ALT](#) [21117-046](#) [21117-050](#) [PCX-24-](#)
[50](#) [24P103C24P2-003](#) [25P203C25P2-003](#) [PTWY-24-78](#) [R284008001](#) [R285001021](#) [R285426000](#) [R288940003](#) [R288940008](#) [4814-BB-24](#)
[5260-72](#) [JT2N1-CL1-1F](#) [DLP-COAX1](#) [4814-K-48](#) [115101-09-06.00](#) [MXHT83QE3000](#) [CCNTN2-MM-LL335-26](#) [73-6351-25](#) [73-6352-3](#) [73-](#)
[6353-25](#) [1800920920610PJ](#) [GD0BQ0BQ024.0](#) [1-3636-600-5210](#) [TL8A-11SMA-11SMA-01500-51](#) [R284C0351060](#) [R288940009](#)
[R284C0351028](#) [R288940002](#) [9702-1SL-1](#) [PT82NSMA](#) [73-6353-10](#) [R285020301W](#) [PCX-18-50](#)