



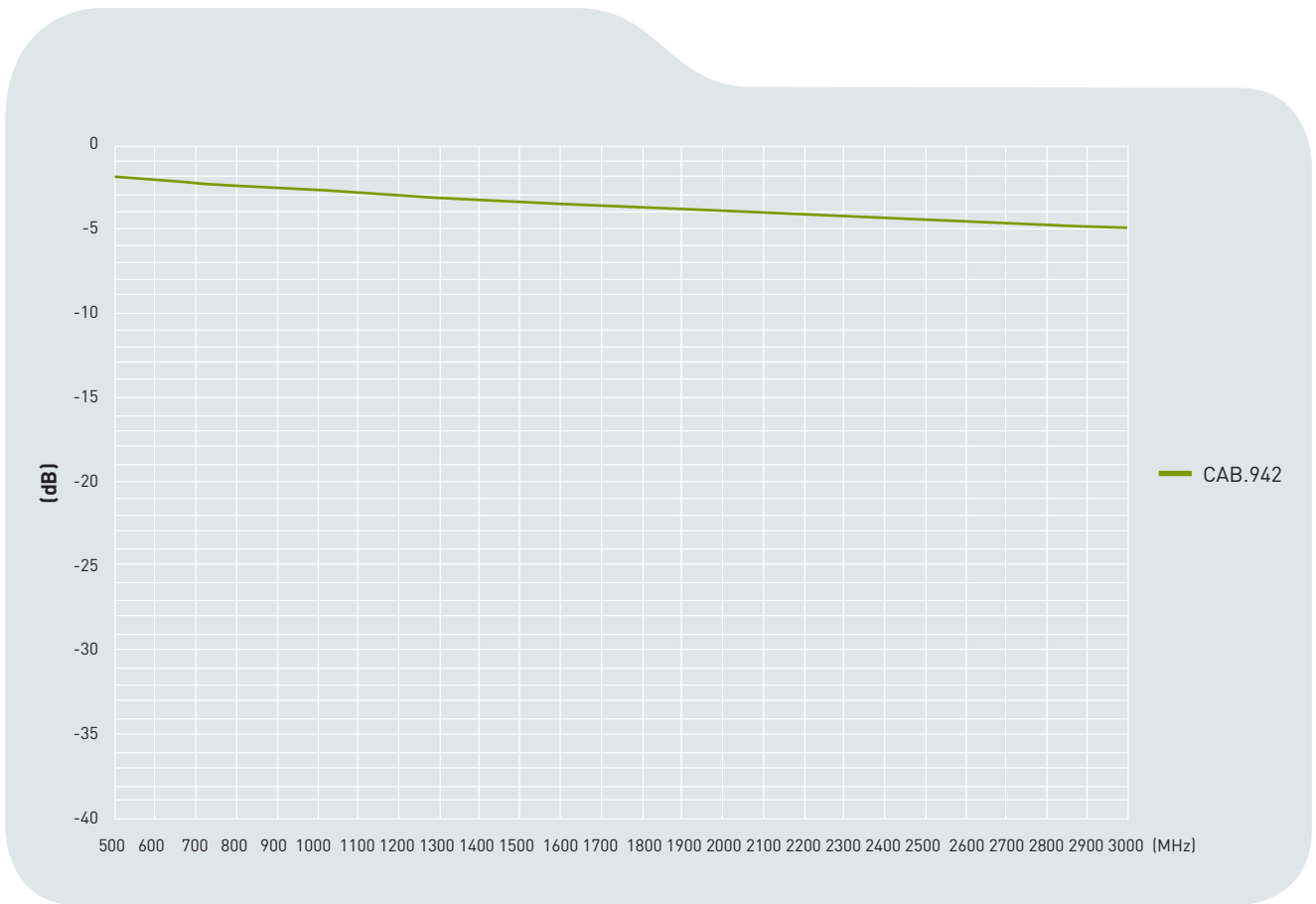
Close-up of CAB.942

CAB.942

Specification

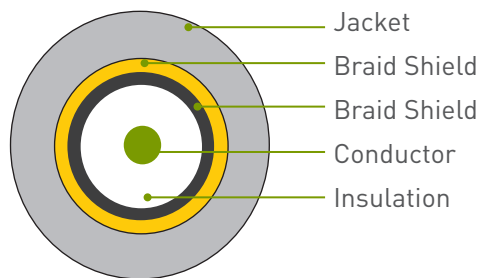
Part No.	CAB.942
Product Name	CAB.942 Taoglas Low Loss Cable Assembly N Type Jack with O-Ring to 7620mm (25') CFD-200 to SMA(M)

1. Cable Insertion Loss

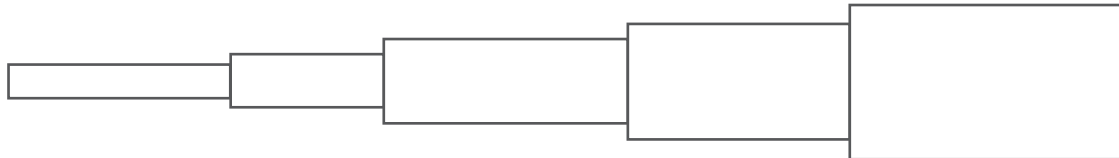


2. CFD-200 Cable Specification

2.1 Drawing - Cross Section



2.2 Structure and Dimensions



Conductor	Insulation	Braid Shield	Braid Shield	Jacket
<ul style="list-style-type: none"> Material - Bare Copper Wire Composition (1/1.12mm) Diameter - 1.12mm 	<ul style="list-style-type: none"> Material - Gas Injected Foam Polyethylene Avg. Thickness - 0.91mm Diameter - 2.95±0.1mm 	<ul style="list-style-type: none"> Material - Aluminium Foil Construction - 0.038mm 	<ul style="list-style-type: none"> Material - Tinned - Copper Wire Structure - 16/6/0.12mm Coverage - 87% Diameter - 0.12±0.008mm 	<ul style="list-style-type: none"> Material - RoHS PVC Diameter - 4.95 ± 0.10mm Colour - Black

2.3 Electrical & Physical Specification

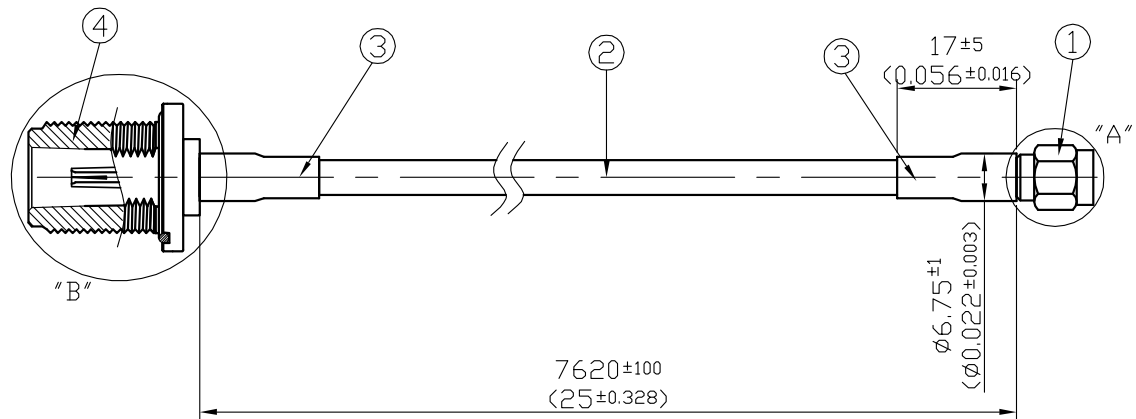
The Characteristic of CFD-200 Coaxial Cable

Insulation Resistance:	1000 MΩ-Km (Min)
Capacitance	80.4 ± 3 pF/m
Nom. Impedance	50 ± 3 Ω

Attenuation	500MHz	1000MHz	1500MHz	2000MHz	2500MHz	3000MHz
(dB / 100M)	24.1	34.4	42.4	49.3	55.4	60.9

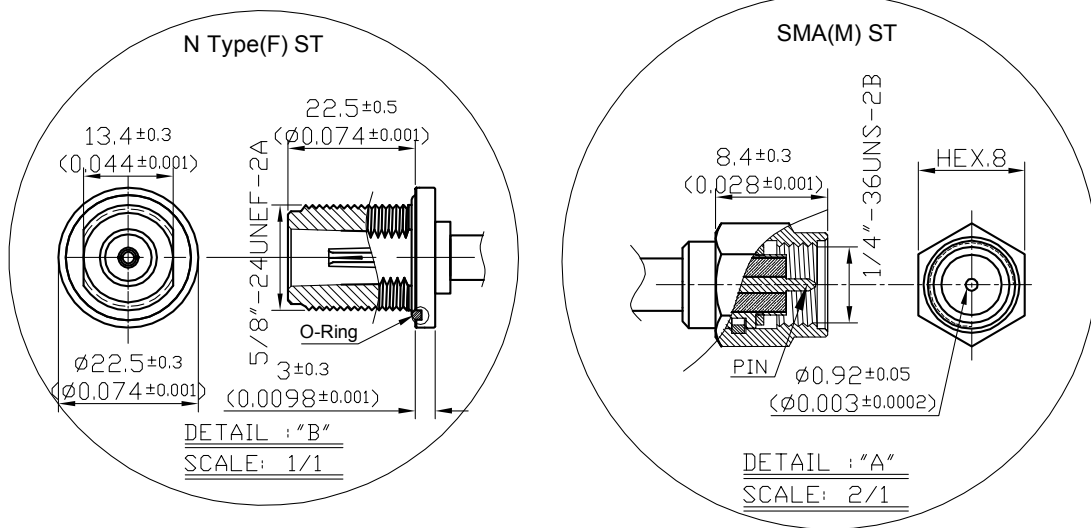
3. Technical Drawing

3.1 CAB.942



	Name	Material	Finish	QTY
1	SMA(M)ST	Brass	Gold	1
2	CFD-200	PVC Jacket	Black	1
3	Heat Shrink Tube	PE	Black	2
4	N Type(F) ST	Brass	Ni Plated	1

3.2 Connectors



X-ON Electronics

Largest Supplier of Electrical and Electronic Components

Click to view similar products for [RF Cable Assemblies](#) category:

Click to view products by [Taoglas](#) manufacturer:

Other Similar products are found below :

[73-6352-10](#) [73-6353-3](#) [73-6364-6](#) [R285001001](#) [R288940004](#) [145111-05-12.00](#) [1661-C-24](#) [1801171170914KE](#) [24P104C24J1-012](#)
[24P104C24P1-006](#) [24P104C24P1-018](#) [24P204C24J1-003](#) [172-2150-EX](#) [1800920920914PJ](#) [FCB-3030-ALT](#) [21117-046](#) [21117-050](#) [PCX-24-](#)
[50](#) [24P103C24P2-003](#) [25P203C25P2-003](#) [PTWY-24-78](#) [R284008001](#) [R285001021](#) [R285426000](#) [R288940003](#) [R288940008](#) [RF179-74BJ3-](#)
[77RP1-0305](#) [4814-BB-24](#) [5260-72](#) [JT2N1-CL1-1F](#) [DLP-COAX1](#) [4814-K-48](#) [115101-09-06.00](#) [MXHT83QE3000](#) [CCNTN2-MM-LL335-26](#)
[73-6351-25](#) [73-6352-3](#) [73-6353-25](#) [1800920920610PJ](#) [GD0BQ0BQ024.0](#) [1-3636-600-5210](#) [TL8A-11SMA-11SMA-01500-51](#)
[R284C0351060](#) [R288940009](#) [R284C0351028](#) [R288940002](#) [9702-1SL-1](#) [PT82NSMA](#) [73-6353-10](#) [R285020301W](#)