

## SPECIFICATION

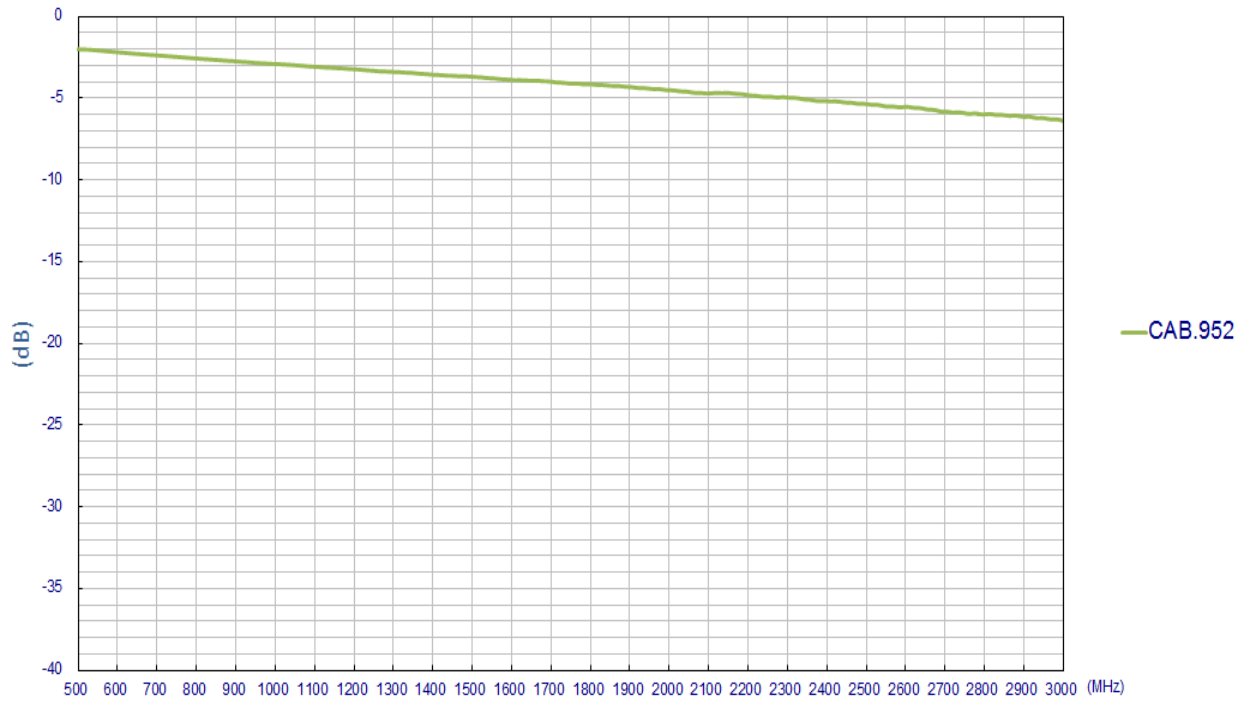
Part No. : **CAB.952**

Product Name : Taoglas Cable Assembly  
N Type Jack with O-Ring to 3000mm(9.84') RG-316 to SMA(M)

Photo :

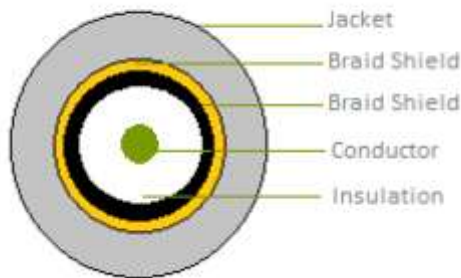


# 1. Cable Insertion Loss

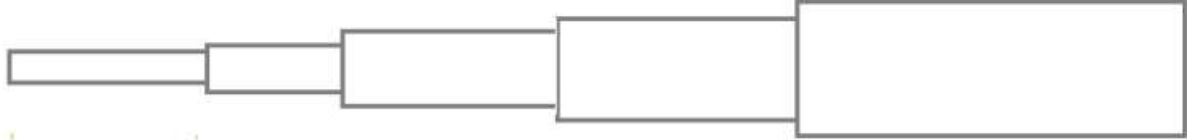


# 2. RG-316 Cable Specification

## 2.1 Drawing – Cross Section



## 2.2 Structure and Dimensions



Conductor	Insulation	Braid Shield	Braid Shield	Jacket
<ul style="list-style-type: none"> <li>Material – Silver Coated Copper Clad Steel</li> <li>26AWG(7/0.175mm)</li> <li>Diameter - 0.53mm</li> </ul>	<ul style="list-style-type: none"> <li>Material – FEP</li> <li>Avg. Thickness- 0.51mm</li> <li>Diameter – 1.53 ± 0.03mm</li> <li>Colour - Clear</li> </ul>	<ul style="list-style-type: none"> <li>Material-Silver -Coated Copper</li> <li>Structure – 16/5/0.10mm</li> <li>Coverage – 95%</li> <li>Diameter – 1.98 ± 0.05mm</li> </ul>	<ul style="list-style-type: none"> <li>Material-Silver -Coated Copper</li> <li>Structure – 16/5/0.10mm</li> <li>Coverage – 86%</li> <li>Diameter – 2.38 ± 0.05mm</li> </ul>	<ul style="list-style-type: none"> <li>Material – FEP</li> <li>Avg. Thickness- 0.30mm</li> <li>Diameter – 2.90 ± 0.10mm</li> <li>Colour – Brown</li> </ul>

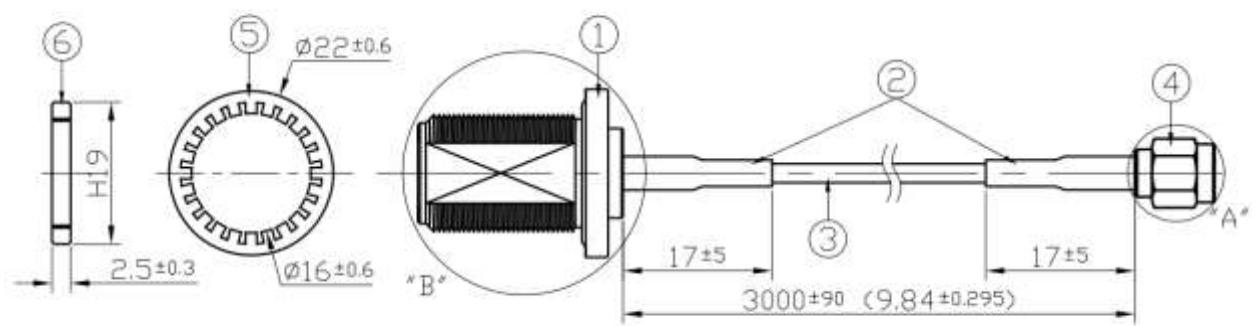
## 2.3 Electrical & Physical Specification

### The Characteristic of RG316 Coaxial Cable

Rating Temp Voltage:	105°C 30V					
Insulation Resistance:	3000 MΩ-Km (Min)					
Conductor Resistance:	302 Ω/Km 20°C (Max)					
Dielectric Strength:	AC 1 KV/Minute					
Spark Test	5.0 KV					
Nom. Impedance	50 ± 3 Ω					
Nom. Capacitance	95.8 ± 3 pF/m					
Nom. Vel. of Prop.	69%					
VSWR (0-6 GHz)	Max 1.3					
Attenuation (dB/3M)	500MHz	1GHz	1.5GHz	2GHz	2.5GHz	3GHz
	1.8	2.6	3.2	3.7	4.2	4.6

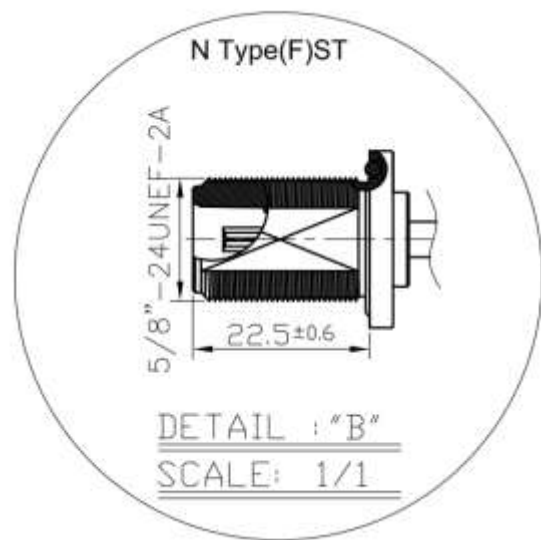
### 3. Technical Drawing

#### 3.1 CAB.952



	Name	Material	Finish	QTY
1	N Type(F) ST	Brass	Ni Plated	1
2	Heat Shrink Tube (RG-316)	PE	Black	2
3	RG-316 Coaxial Cable	FEP	Brown	1
4	SMA(M) ST	Brass	Gold	1
5	Washer	Brass	Ni Plated	1
6	Nut	Brass	Ni Plated	1

### 3.2 Connectors



## X-ON Electronics

Largest Supplier of Electrical and Electronic Components

*Click to view similar products for [RF Cable Assemblies](#) category:*

*Click to view products by [Taoglas](#) manufacturer:*

Other Similar products are found below :

[73-6352-10](#) [73-6353-3](#) [73-6364-6](#) [R285001001](#) [R288940004](#) [145111-05-12.00](#) [1661-C-24](#) [1801171170914KE](#) [24P104C24J1-012](#)  
[24P104C24P1-006](#) [24P104C24P1-018](#) [24P204C24J1-003](#) [172-2150-EX](#) [1800920920914PJ](#) [FCB-3030-ALT](#) [21117-046](#) [21117-050](#) [PCX-24-](#)  
[50](#) [24P103C24P2-003](#) [25P203C25P2-003](#) [PTWY-24-78](#) [R284008001](#) [R285001021](#) [R285426000](#) [R288940003](#) [R288940008](#) [RF179-74BJ3-](#)  
[77RP1-0305](#) [4814-BB-24](#) [5260-72](#) [JT2N1-CL1-1F](#) [DLP-COAX1](#) [4814-K-48](#) [115101-09-06.00](#) [MXHT83QE3000](#) [CCNTN2-MM-LL335-26](#)  
[73-6351-25](#) [73-6352-3](#) [73-6353-25](#) [1800920920610PJ](#) [GD0BQ0BQ024.0](#) [1-3636-600-5210](#) [TL8A-11SMA-11SMA-01500-51](#)  
[R284C0351060](#) [R288940009](#) [R284C0351028](#) [R288940002](#) [9702-1SL-1](#) [PT82NSMA](#) [73-6353-10](#) [R285020301W](#)