



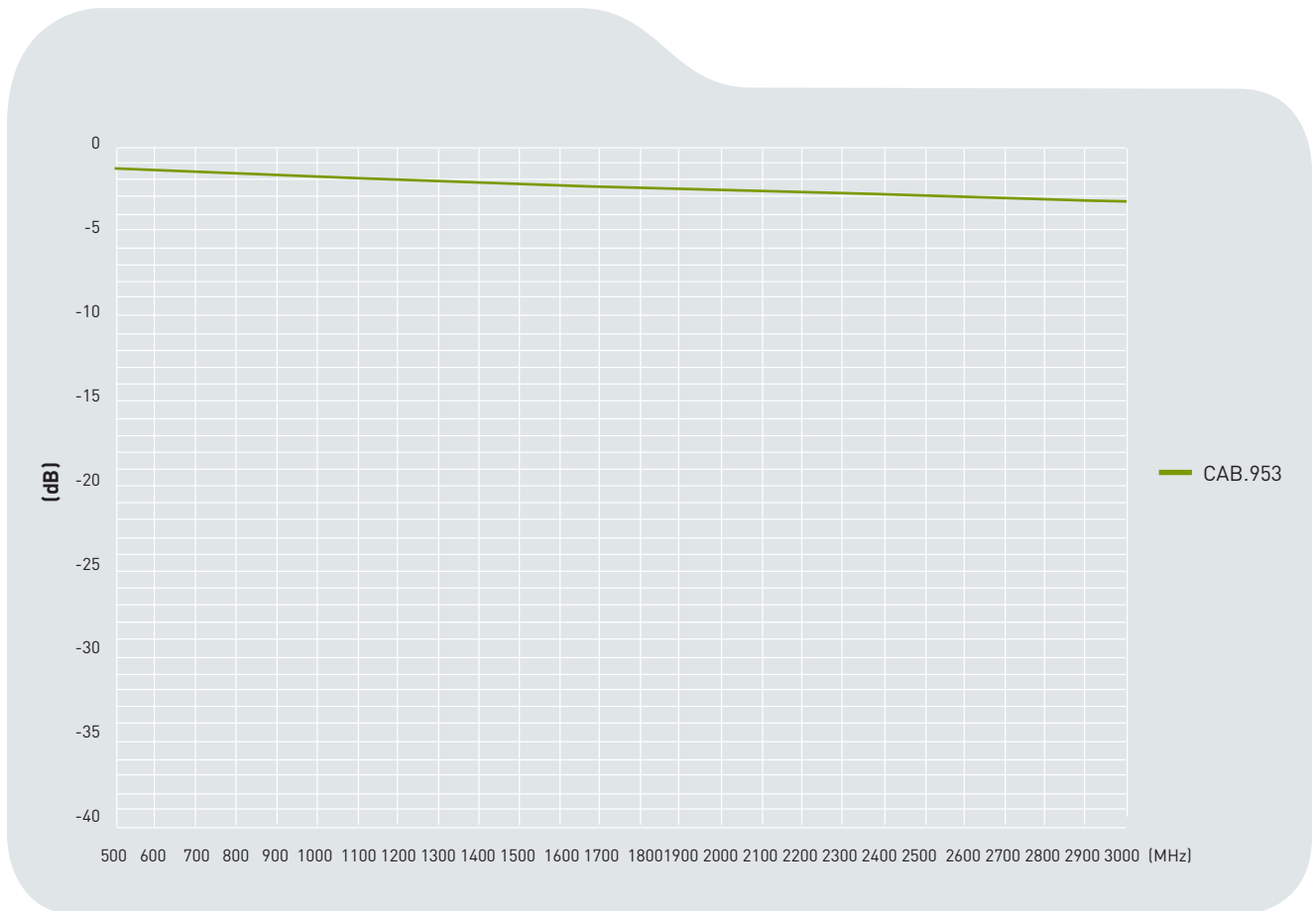
Close-up of CAB.953

CAB.953

## Specification

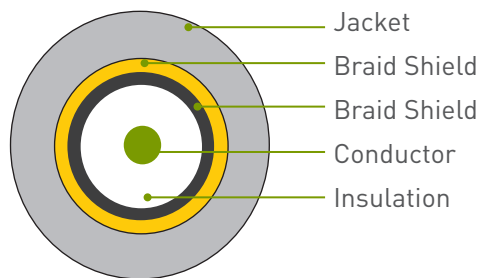
|                     |  |
|---------------------|--|
| <b>Part No.</b>     | <b>CAB.953</b>   |
| <b>Product Name</b> | <b>CAB.953</b><br>Taoglas Low Loss Cable Assembly<br>N Type Jack with O-Ring to 5000mm(16.4')<br>ULC-200 to SMA(M) |

# 1. Cable Insertion Loss

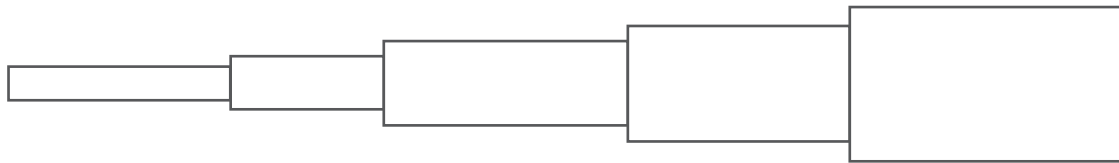


# 2. ULC-200 Cable Specification

## 2.1 Drawing - Cross Section



## 2.2 Structure and Dimensions



### Conductor

- Material - Bare Copper Wire
- Composition (1/1.12mm)
- Diameter - 1.12mm

### Insulation

- Material - Gas Injected Foam Polyethylene
- Avg. Thickness - 0.91mm
- Diameter - 2.95±0.1mm

### Braid Shield

- Material - Aluminium Foil
- Construction - 0.038mm

### Braid Shield

- Material - Tinned - Copper Wire
- Structure - 16/6/0.12mm
- Coverage - 87%
- Diameter - 0.12±0.008mm

### Jacket

- Material - RoHS PVC
- Diameter - 4.95 ± 0.10mm
- Colour - Black

## 2.3 Electrical & Physical Specification

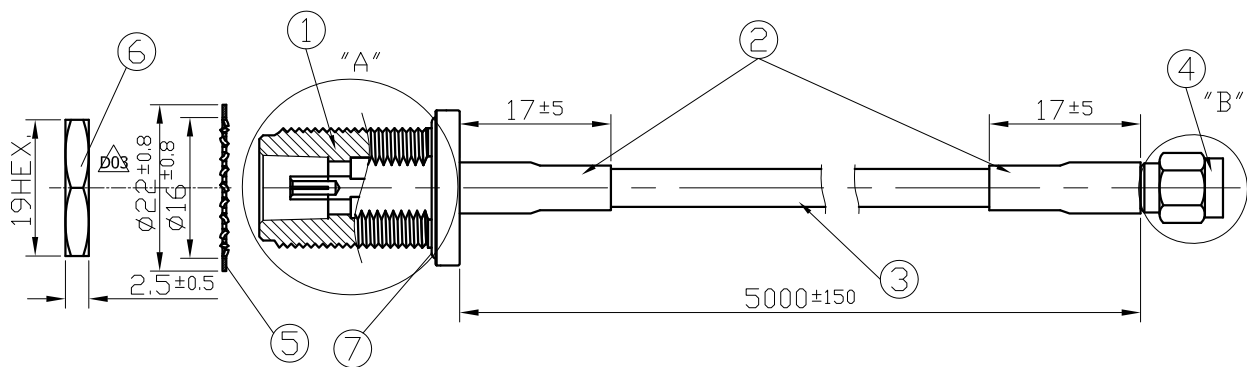
### The Characteristic of ULC-200 Coaxial Cable

|                               |                  |
|-------------------------------|------------------|
| <b>Insulation Resistance:</b> | 1000 MΩ-Km (Min) |
| <b>Capacitance</b>            | 80.4 ± 3 pF/m    |
| <b>Nom. Impedance</b>         | 50 ± 3 Ω         |

| <b>Attenuation</b> | <b>500MHz</b> | <b>1000MHz</b> | <b>1500MHz</b> | <b>2000MHz</b> | <b>2500MHz</b> | <b>3000MHz</b> |
|--------------------|---------------|----------------|----------------|----------------|----------------|----------------|
| <b>(dB / 100M)</b> | 24.1          | 34.4           | 42.4           | 49.3           | 55.4           | 60.9           |

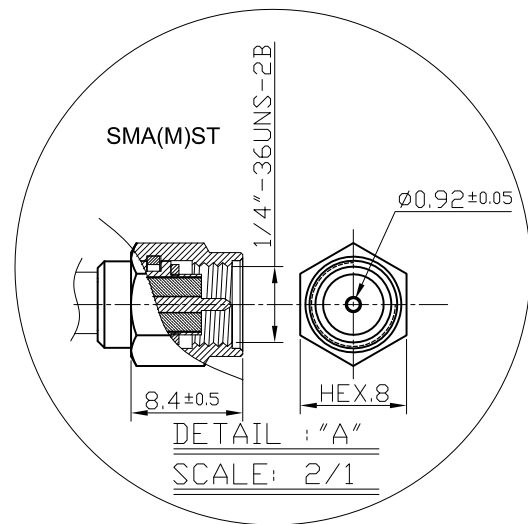
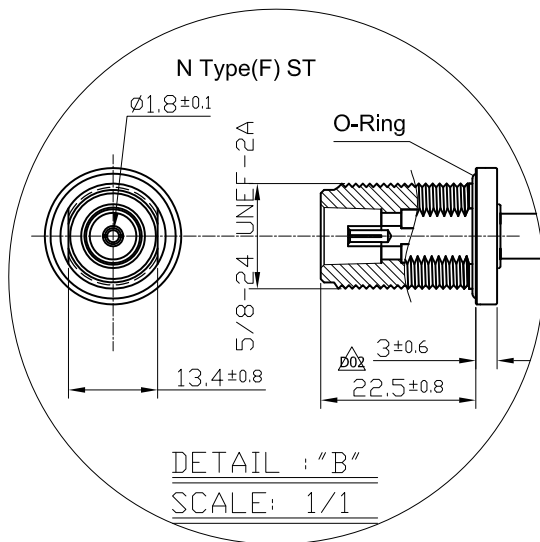
### 3. Technical Drawing

#### 3.1 CAB.953



|   | Name               | Material | Finish    | QTY |
|---|--------------------|----------|-----------|-----|
| 1 | N Type(F)ST        | Brass    | Ni Plated | 1   |
| 2 | Heat Shrink Tube   | PE       | Black     | 2   |
| 3 | ULC200             | PVC      | Black     | 1   |
| 4 | SMA(M)ST Connector | Brass    | Gold      | 1   |
| 5 | SMA Washer         | Brass    | Ni Plated | 1   |
| 6 | SMA Nut            | Brass    | Ni Plated | 1   |
| 7 | O-Ring             | Brass    | Black     | 1   |

### 3.2 Connectors



## X-ON Electronics

Largest Supplier of Electrical and Electronic Components

*Click to view similar products for [RF Cable Assemblies](#) category:*

*Click to view products by [Taoglas](#) manufacturer:*

Other Similar products are found below :

[73-6352-10](#) [73-6353-3](#) [73-6364-6](#) [R285001001](#) [R288940004](#) [145111-05-12.00](#) [1661-C-24](#) [1801171170914KE](#) [24P104C24J1-012](#)  
[24P104C24P1-006](#) [24P104C24P1-018](#) [24P204C24J1-003](#) [172-2150-EX](#) [1800920920914PJ](#) [FCB-3030-ALT](#) [21117-046](#) [21117-050](#) [PCX-24-](#)  
[50](#) [24P103C24P2-003](#) [25P203C25P2-003](#) [PTWY-24-78](#) [R284008001](#) [R285001021](#) [R285426000](#) [R288940003](#) [R288940008](#) [RF179-74BJ3-](#)  
[77RP1-0305](#) [4814-BB-24](#) [5260-72](#) [JT2N1-CL1-1F](#) [DLP-COAX1](#) [4814-K-48](#) [115101-09-06.00](#) [MXHT83QE3000](#) [CCNTN2-MM-LL335-26](#)  
[73-6351-25](#) [73-6352-3](#) [73-6353-25](#) [1800920920610PJ](#) [GD0BQ0BQ024.0](#) [1-3636-600-5210](#) [TL8A-11SMA-11SMA-01500-51](#)  
[R284C0351060](#) [R288940009](#) [R284C0351028](#) [R288940002](#) [9702-1SL-1](#) [PT82NSMA](#) [73-6353-10](#) [R285020301W](#)