



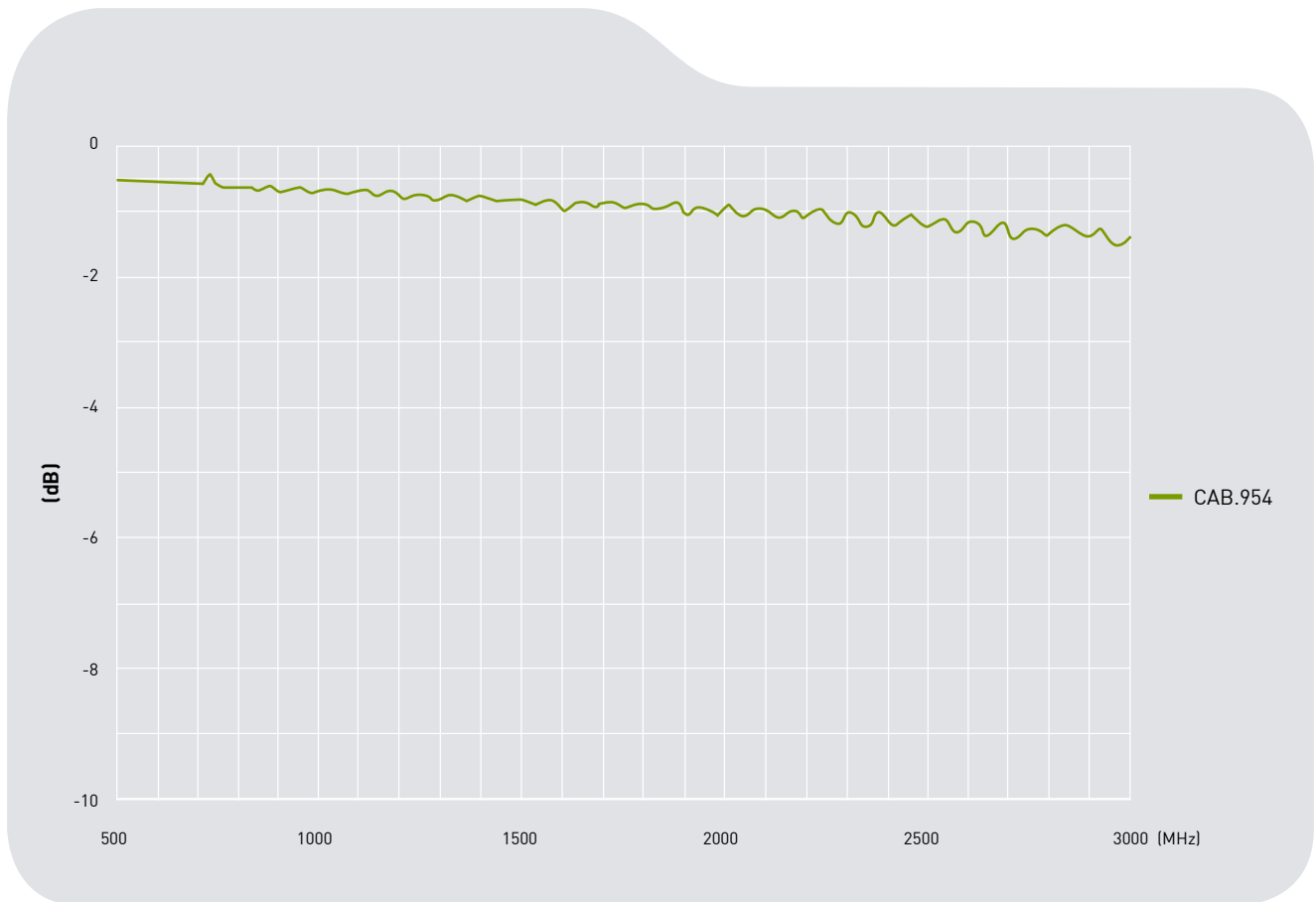
Close-up of CAB.954

**CAB.954**

## Specification

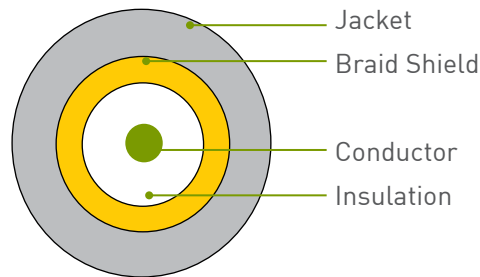
<b>Part No.</b>	<b>CAB.954</b>
<b>Product Name</b>	<b>CAB.954</b> Taoglas Cable Assembly N Type Jack with O-Ring to 300mm(11.81") 1.37 to IPEX MHFI(U.FL comp)

## 1. Cable Insertion Loss

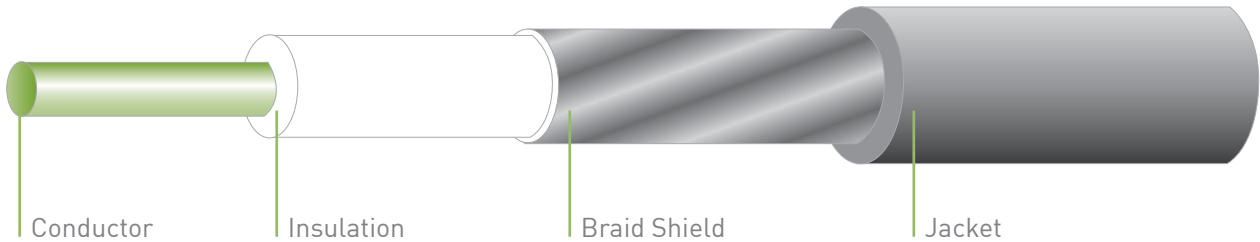


## 2. 1.37 Cable Specification

### 2.1 Drawing - Cross Section



### 2.2 Structure and Dimensions



#### Conductor

- Material - Silver Coated Copper
- 30AWG(7/0.102mm)
- Diameter - 0.31mm

#### Insulation

- Material - FEP
- Avg. Thickness - 0.30mm
- Diameter -  $0.92 \pm 0.03$ mm
- Colour - Clear

#### Braid Shield

- Material - Tinned - Coated Copper
- Structure - 16/6/0.050mm  $\pm 0.003$
- Coverage - 95%
- Diameter -  $1.15 \pm 0.05$ mm

#### Jacket

- Material - FEP
- Avg. Thickness - 0.13mm
- Diameter -  $1.37 \pm 0.05$ mm
- Color - Grey GY-08/Black

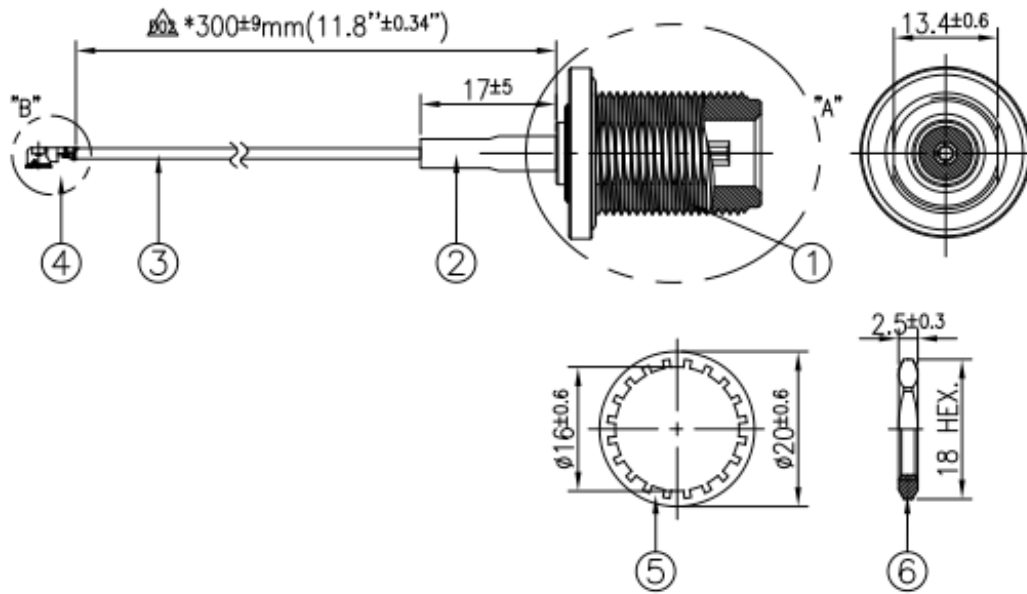
## 2.3 Electrical & Physical Specification

### Specification

<b>Item</b>	30 AWG		
<b>Rating Temp Voltage</b>	105°C 30V UL 1979		
<b>Insulation Resistance</b>	3000 MEGA OHM-KM Min.		
<b>Conductor Resistance</b>	335 OHM/KM/20°C Max.		
<b>Dielectric Strength</b>	AC 1.0 KV/minute		
<b>Spark test</b>	2.5 KV		
<b>Insulation</b>	Unaged	Tensile Strength	2500 PSI Min. (1.76Kg/mm <sup>2</sup> )
		Elongation	200% min.
<b>Jacket</b>	Aged	Tensile Strength	Unaged Min 75% (168HRS*232°C)
		Elongation	Unaged Min 75% (168HRS*232°C)
	Unaged	Tensile Strength	2500 PSI Min. (1.76Kg/mm <sup>2</sup> )
		Elongation	200% min.
	Aged	Tensile Strength	Unaged Min 75% (168HRS*232°C)
		Elongation	Unaged Min 75% (168HRS*232°C)
<b>Nom. Impedance</b>	50 ± 3 Ohms		
<b>Nom. Capacitance</b>	96 ± 3 pF/m		
<b>Nom. Vel. Of Prop.</b>	69%		
<b>VSWR (0-6GHz)</b>	Max 1.3		
<b>Flame Test</b>	VW-1 OK		
<b>Thermal Shock</b>	Less 1mm at 232°C/1 HR		
<b>Bend Radius</b>	9mm min.		
<b>Attenuation (dB/1M)</b>	2.0GHz	2.20	
	2.4GHz	2.60	
	3.0GHz	2.80	
	4.0GHz	3.40	
	5.0GHz	3.80	
	6.0GHz	4.30	

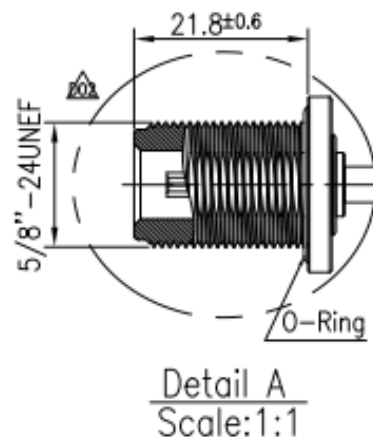
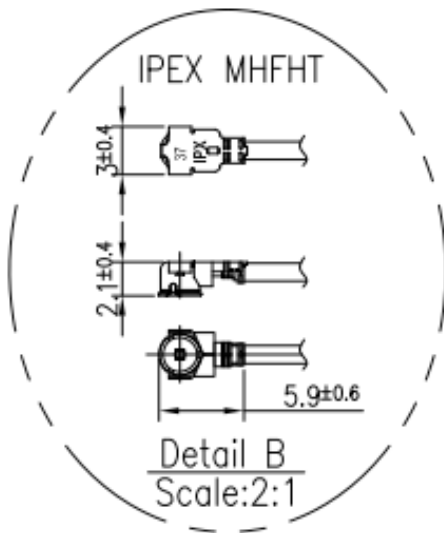
### 3. Technical Drawing

#### 3.1 CAB.954



	Name	Material	Finish	QTY
1	N Type (F) ST	Brass	Nickel	1
2	Heat Shrink Tube	PE	Black	1
3	1.37 Coaxial Cable	FEP	Black	1
4	IPEX MHFI	Brass	Gold	1
5	N Type Washer	Brass	Nickel	1
6	N Type Nut	Brass	Nickel	1

### 3.2 Connectors



## X-ON Electronics

Largest Supplier of Electrical and Electronic Components

*Click to view similar products for [RF Cable Assemblies](#) category:*

*Click to view products by [Taoglas](#) manufacturer:*

Other Similar products are found below :

[73-6352-10](#) [73-6353-3](#) [73-6364-6](#) [R285001001](#) [R288940004](#) [145111-05-12.00](#) [1661-C-24](#) [1801171170914KE](#) [24P104C24J1-012](#)  
[24P104C24P1-006](#) [24P104C24P1-018](#) [24P204C24J1-003](#) [172-2150-EX](#) [1800920920914PJ](#) [FCB-3030-ALT](#) [21117-046](#) [21117-050](#) [PCX-24-](#)  
[50](#) [24P103C24P2-003](#) [25P203C25P2-003](#) [PTWY-24-78](#) [R284008001](#) [R285001021](#) [R285426000](#) [R288940003](#) [R288940008](#) [4814-BB-24](#)  
[5260-72](#) [JT2N1-CL1-1F](#) [DLP-COAX1](#) [4814-K-48](#) [115101-09-06.00](#) [MXHT83QE3000](#) [CCNTN2-MM-LL335-26](#) [73-6351-25](#) [73-6352-3](#) [73-](#)  
[6353-25](#) [1800920920610PJ](#) [GD0BQ0BQ024.0](#) [1-3636-600-5210](#) [TL8A-11SMA-11SMA-01500-51](#) [R284C0351060](#) [R288940009](#)  
[R284C0351028](#) [R288940002](#) [9702-1SL-1](#) [PT82NSMA](#) [73-6353-10](#) [R285020301W](#) [PCX-18-50](#)