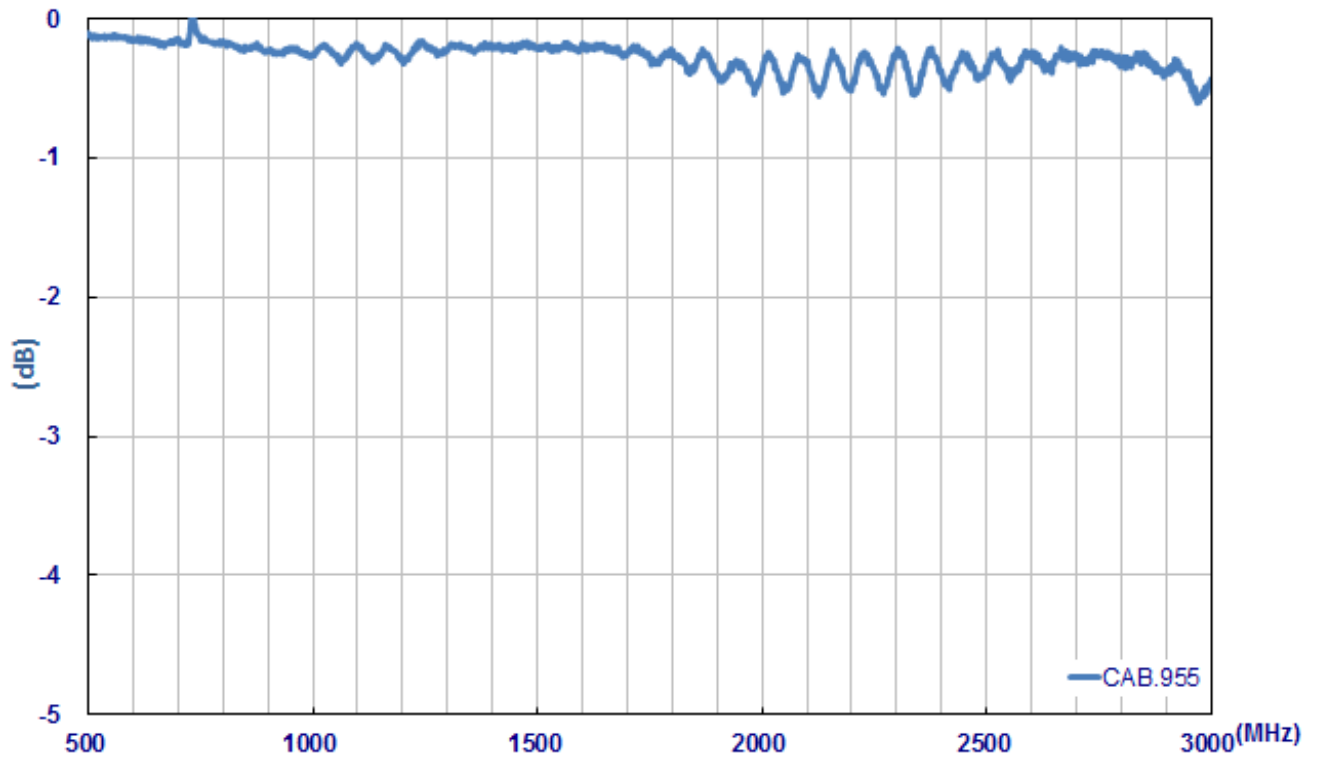


SPECIFICATION

Part No. : **CAB.955**
Product Name : Taoglas Cable Assembly
N Type Jack with O-Ring to 100mm(3.93") RG-316 SMA(M)ST
PLUG
Photo :

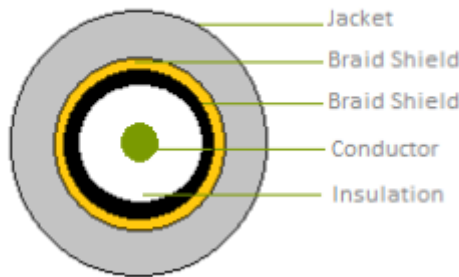


1. Cable Insertion Loss

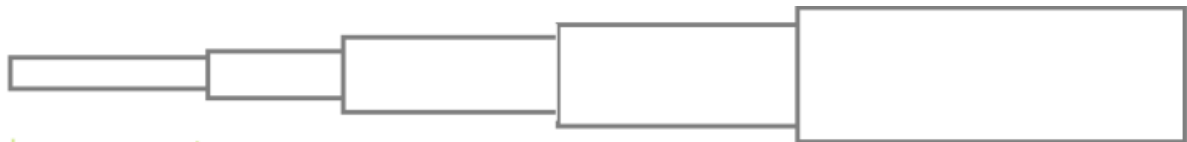


2. RG-316 Cable Specification

2.1 Drawing – Cross Section



2.2 Structure and Dimensions



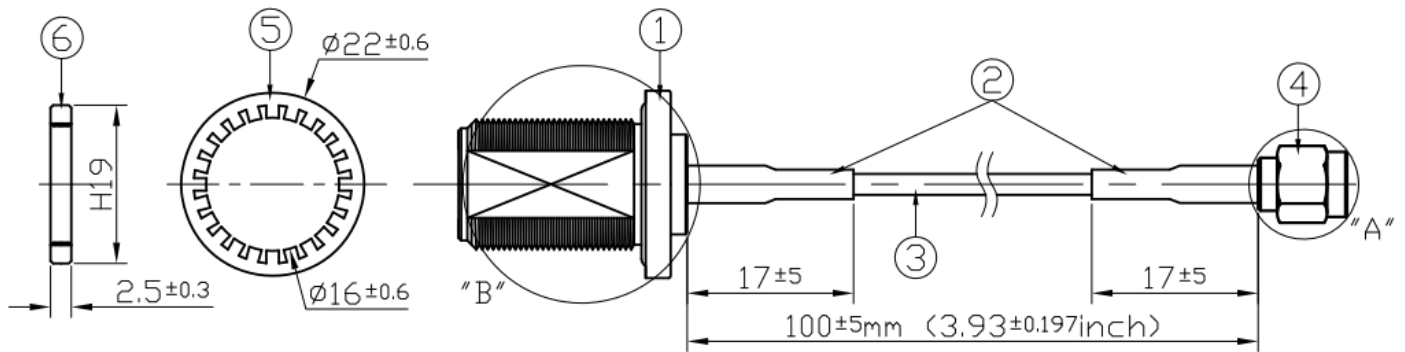
Conductor	Insulation	Braid Shield	Braid Shield	Jacket
<ul style="list-style-type: none"> Material – Silver Coated Copper Clad Steel 26AWG(7/0.175mm) Diameter - 0.53mm 	<ul style="list-style-type: none"> Material – FEP Avg. Thickness- 0.51mm Diameter – 1.53 ± 0.03mm Colour - Clear 	<ul style="list-style-type: none"> Material–Silver -Coated Copper Structure – 16/5/0.10mm Coverage – 95% Diameter – 1.98 ± 0.05mm 	<ul style="list-style-type: none"> Material–Silver -Coated Copper Structure – 16/5/0.10mm Coverage – 86% Diameter – 2.38 ± 0.05mm 	<ul style="list-style-type: none"> Material – FEP Avg. Thickness- 0.30mm Diameter – 2.90 ± 0.10mm Colour – Brown

2.3 Electrical & Physical Specification

Rating Temp Voltage:	105°C 30V					
Insulation Resistance:	3000 MΩ-Km (Min)					
Conductor Resistance:	302 Ω/Km 20°C (Max)					
Dielectric Strength:	AC 1 KV/Minute					
Spark Test	5.0 KV					
Nom. Impedance	50 ± 3 Ω					
Nom. Capacitance	95.8 ± 3 pF/m					
Nom. Vel. of Prop.	69%					
VSWR (0-6 GHz)	Max 1.3					
Attenuation	2GHz	2.4GHz	3GHz	4GHz	5GHz	6GHz
(dB/1M)	1.35	1.5	1.62	1.91	2.2	2.7

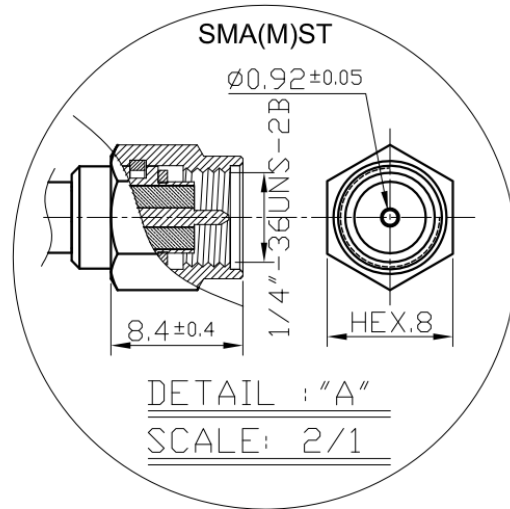
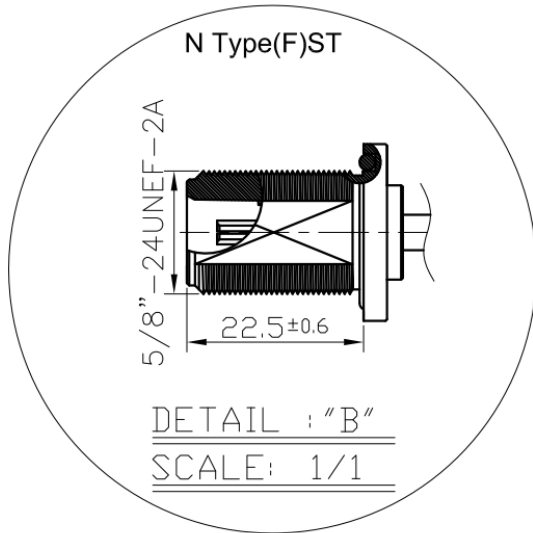
3. Technical Drawing

3.1 CAB.955



	Name	Material	Finish	QTY
1	N Type(F) ST	Brass	Ni Plated	1
2	Heat Shrink Tube (RG-316)	PE	Black	2
3	RG-316 Coaxial Cable	FEP	Brown	1
4	SMA(M) ST	Brass	Gold	1
5	Washer	Brass	Ni Plated	1
6	Nut	Brass	Ni Plated	1

3.2 Connectors



X-ON Electronics

Largest Supplier of Electrical and Electronic Components

Click to view similar products for [RF Cable Assemblies](#) category:

Click to view products by [Taoglas](#) manufacturer:

Other Similar products are found below :

[73-6352-10](#) [73-6353-3](#) [73-6364-6](#) [R285001001](#) [R288940004](#) [145111-05-12.00](#) [1661-C-24](#) [1801171170914KE](#) [24P104C24J1-012](#)
[24P104C24P1-006](#) [24P104C24P1-018](#) [24P204C24J1-003](#) [172-2150-EX](#) [1800920920914PJ](#) [FCB-3030-ALT](#) [21117-046](#) [21117-050](#) [PCX-24-](#)
[50](#) [24P103C24P2-003](#) [25P203C25P2-003](#) [PTWY-24-78](#) [R284008001](#) [R285001021](#) [R285426000](#) [R288940003](#) [R288940008](#) [4814-BB-24](#)
[5260-72](#) [JT2N1-CL1-1F](#) [DLP-COAX1](#) [4814-K-48](#) [115101-09-06.00](#) [MXHT83QE3000](#) [CCNTN2-MM-LL335-26](#) [73-6351-25](#) [73-6352-3](#) [73-](#)
[6353-25](#) [1800920920610PJ](#) [GD0BQ0BQ024.0](#) [1-3636-600-5210](#) [TL8A-11SMA-11SMA-01500-51](#) [R284C0351060](#) [R288940009](#)
[R284C0351028](#) [R288940002](#) [9702-1SL-1](#) [PT82NSMA](#) [73-6353-10](#) [R285020301W](#) [PCX-18-50](#)