



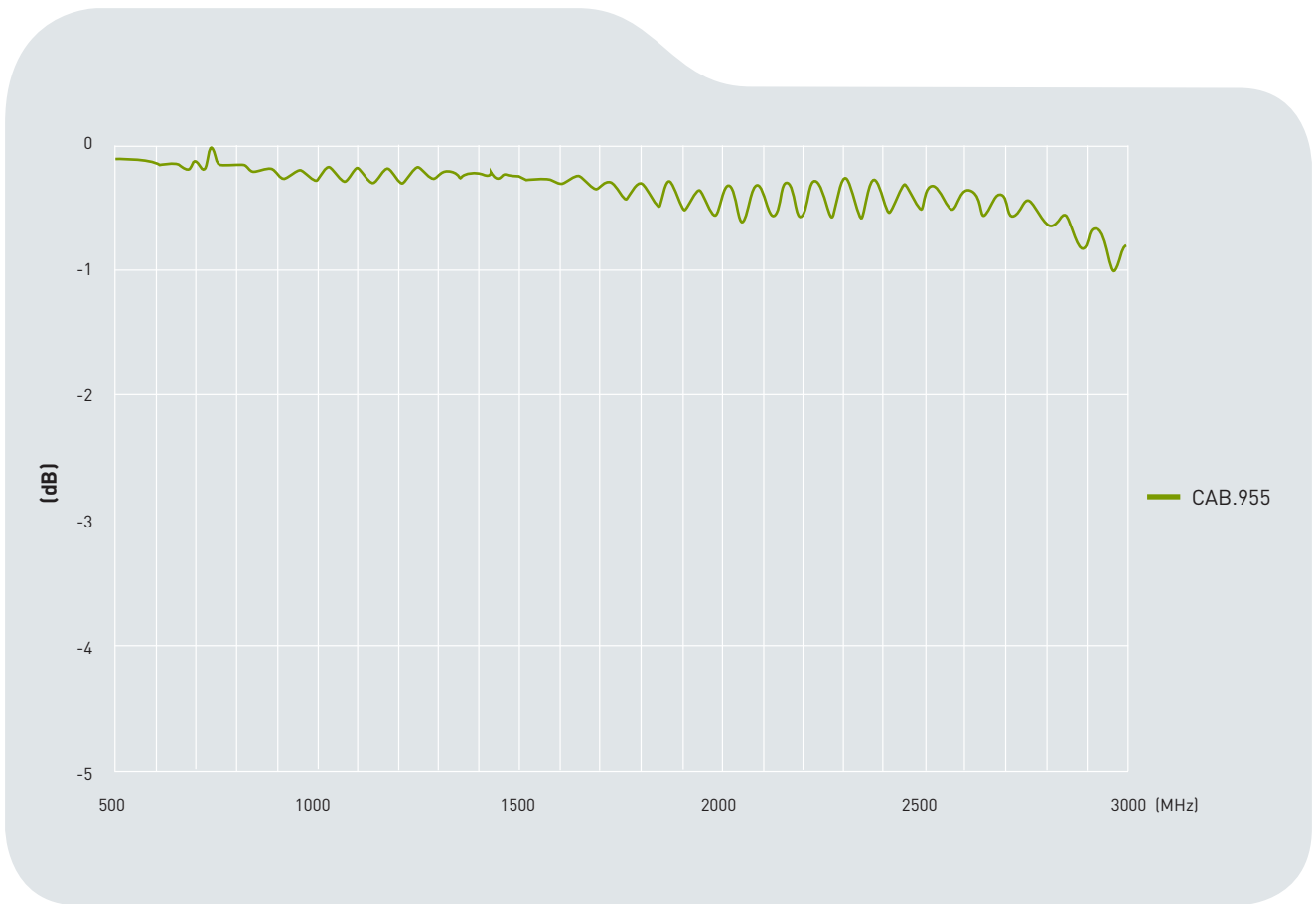
Close-up of CAB.956

**CAB.956**

## Specification

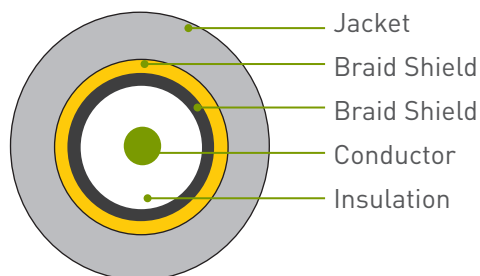
<b>Part No.</b>	<b>CAB.956</b>
<b>Product Name</b>	<b>CAB.956</b> Taoglas Cable Assembly N Type Jack with O-Ring to 100mm (3.93") RG-316 MCX(M)ST PLUG

# 1. Cable Insertion Loss

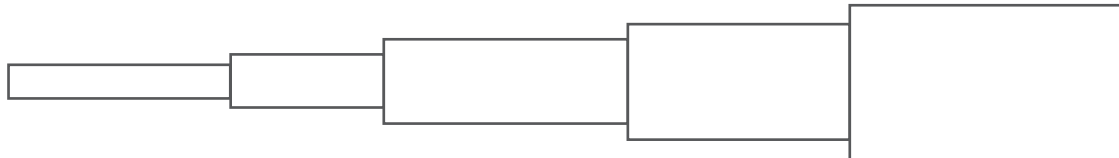


# 2. RG-316 Cable Specification

## 2.1 Drawing - Cross Section



## 2.2 Structure and Dimensions



Conductor	Insulation	Braid Shield	Braid Shield	Jacket
<ul style="list-style-type: none"> <li>Material - Silver Coated Copper Clad Steel</li> <li>26AWG (7/0.175mm)</li> <li>Diameter - 0.53mm</li> </ul>	<ul style="list-style-type: none"> <li>Material - FEP</li> <li>Avg. Thickness - 0.51mm</li> <li>Diameter - 1.53±0.03mm</li> <li>Colour - Clear</li> </ul>	<ul style="list-style-type: none"> <li>Material - Silver Coated Copper</li> <li>Structure - 16/5/0.10mm</li> <li>Coverage - 95%</li> <li>Diameter - 1.98±0.05mm</li> </ul>	<ul style="list-style-type: none"> <li>Material - Silver Coated Copper</li> <li>Structure - 16/5/0.10mm</li> <li>Coverage - 86%</li> <li>Diameter - 2.38±0.05mm</li> </ul>	<ul style="list-style-type: none"> <li>Material - FEP</li> <li>Avg. Thickness - 0.30mm</li> <li>Diameter - 2.90±0.10mm</li> <li>Colour - Brown</li> </ul>

## 2.3 Electrical & Physical Specification

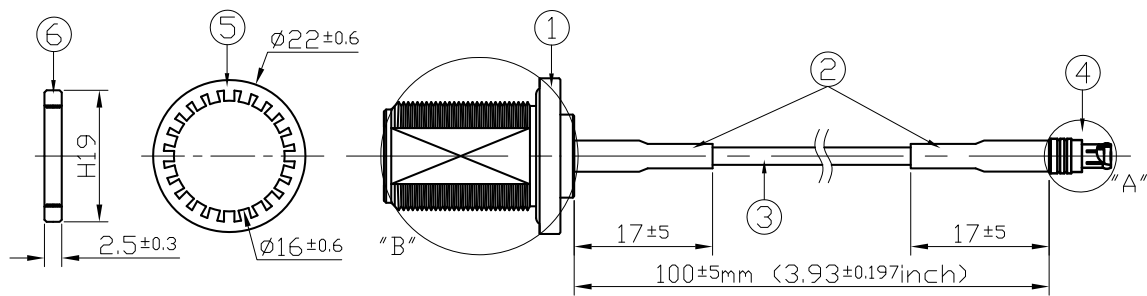
### The Characteristic of RG316 Coaxial Cable

<b>Rating Temp Voltage:</b>	105°C 30V
<b>Insulation Resistance:</b>	3000 MΩ-Km (Min)
<b>Conductor Resistance:</b>	302 Ω/Km 20°C (Max)
<b>Dielectric Strength:</b>	AC 1 KV/Minute
<b>Spark Test</b>	5.0 KV
<b>Nom. Impedance</b>	50 ± 3 Ω
<b>Nom. Capacitance</b>	95.8 ± 3 pF/m
<b>Nom. Vel. of Prop.</b>	69%
<b>VSWR (0-6 GHz)</b>	Max 1.3

Attenuation	2GHz	2.4GHz	3GHz	4GHz	5GHz	6GHz
(dB / 1M)	1.35	1.5	1.62	1.91	2.2	2.7

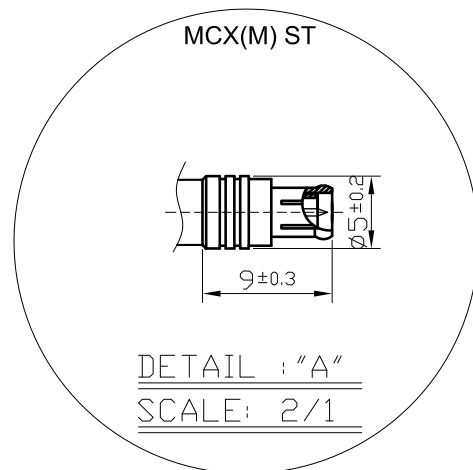
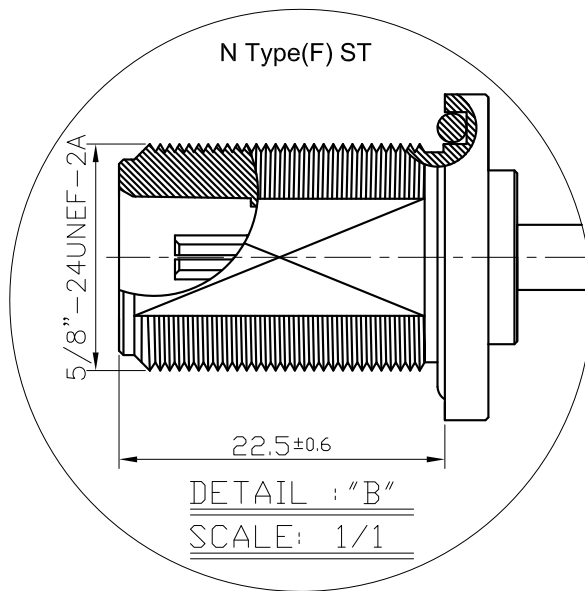
### 3. Technical Drawing

#### 3.1 CAB.956



	Name	Material	Finish	QTY
1	N Type (F) ST	Brass	Ni Plated	1
2	Heat Shrink Tube	PE	Black	2
3	RG-316 Coaxial Cable	FEP	Brown	1
4	MCX(M) ST	Brass	Gold	1
5	Washer	Brass	Ni Plated	1
6	Nut	Brass	Ni Plated	1

### 3.2 Connectors



## X-ON Electronics

Largest Supplier of Electrical and Electronic Components

*Click to view similar products for [RF Cable Assemblies](#) category:*

*Click to view products by [Taoglas](#) manufacturer:*

Other Similar products are found below :

[73-6352-10](#) [73-6353-3](#) [73-6364-6](#) [R285001001](#) [R288940004](#) [145111-05-12.00](#) [1661-C-24](#) [1801171170914KE](#) [24P104C24J1-012](#)  
[24P104C24P1-006](#) [24P104C24P1-018](#) [24P204C24J1-003](#) [172-2150-EX](#) [1800920920914PJ](#) [FCB-3030-ALT](#) [21117-046](#) [21117-050](#) [PCX-24-](#)  
[50](#) [24P103C24P2-003](#) [25P203C25P2-003](#) [R284008001](#) [R285001021](#) [R285426000](#) [R288940003](#) [4814-BB-24](#) [5260-72](#) [JT2N1-CL1-1F](#) [DLP-](#)  
[COAX1](#) [4814-K-48](#) [115101-09-06.00](#) [MXHT83QE3000](#) [CCNTN2-MM-LL335-26](#) [73-6351-25](#) [73-6352-3](#) [73-6353-25](#) [1800920920610PJ](#)  
[GD0BQ0BQ024.0](#) [1-3636-600-5210](#) [TL8A-11SMA-11SMA-01500-51](#) [R284C0351060](#) [R288940009](#) [R284C0351028](#) [R288940002](#) [9702-](#)  
[1SL-1](#) [PT82NSMA](#) [73-6353-10](#) [R285020301W](#) [PCX-18-50](#) [Minibend-9](#) [Minibend-4](#)