

SPECIFICATION

Part No.	: CGGBP.25.4.A.02
Product Name	: Embedded 25mm GPS/GLONASS/BEIDOU Patch Antenna, 1561/1575/1602MHz
Feature	: 25*25*4mm Ceramic patch High Gain (up to 3.5dBi) Excellent stability on the three GNSS systems Optimized radiation patterns Pin Mount RoHS Compliant



1. Introduction

This 25mm square embedded ceramic GPS/GLONASS/BEIDOU patch antenna's wide band of operation leads to excellent gain and radiation pattern stability on all three common commercial GNSS systems worldwide.

Compared to using a smaller antenna, this will translate into the GNSS system having much higher location accuracy, improved reliability of lock in urban areas, better signal reception, with more satellites acquired and a quicker time to first fix.

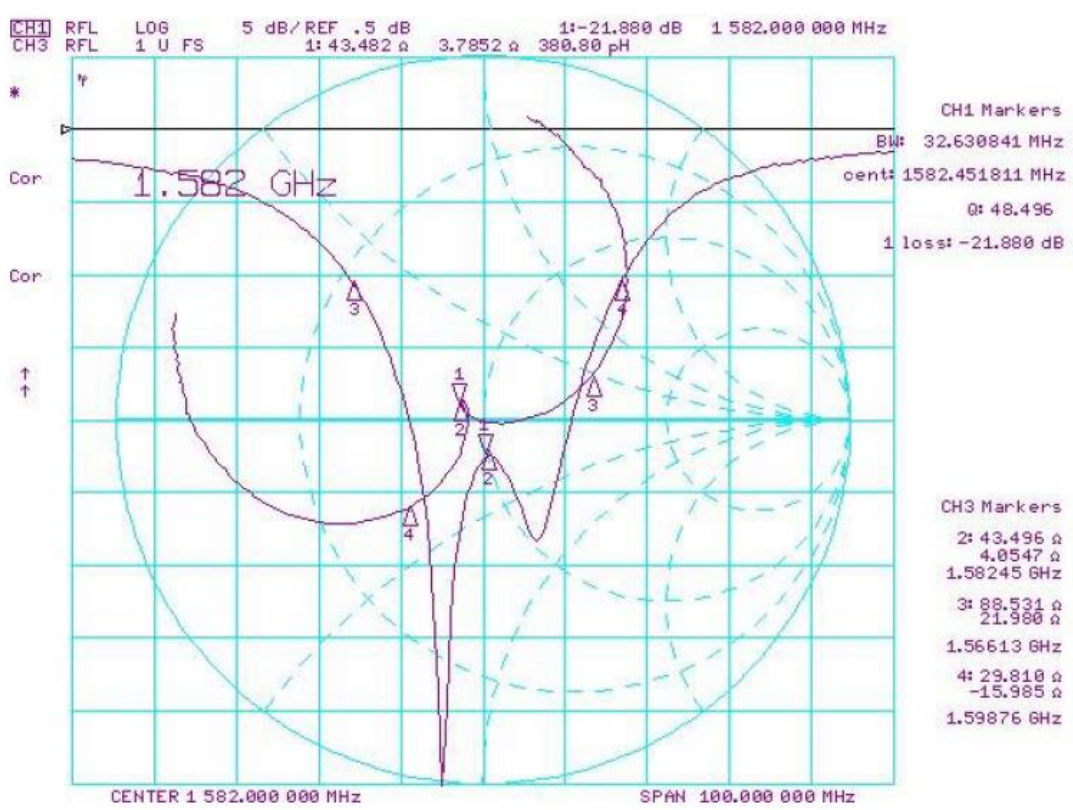
The patch is mounted via pin and double-sided adhesive.

2. Specification

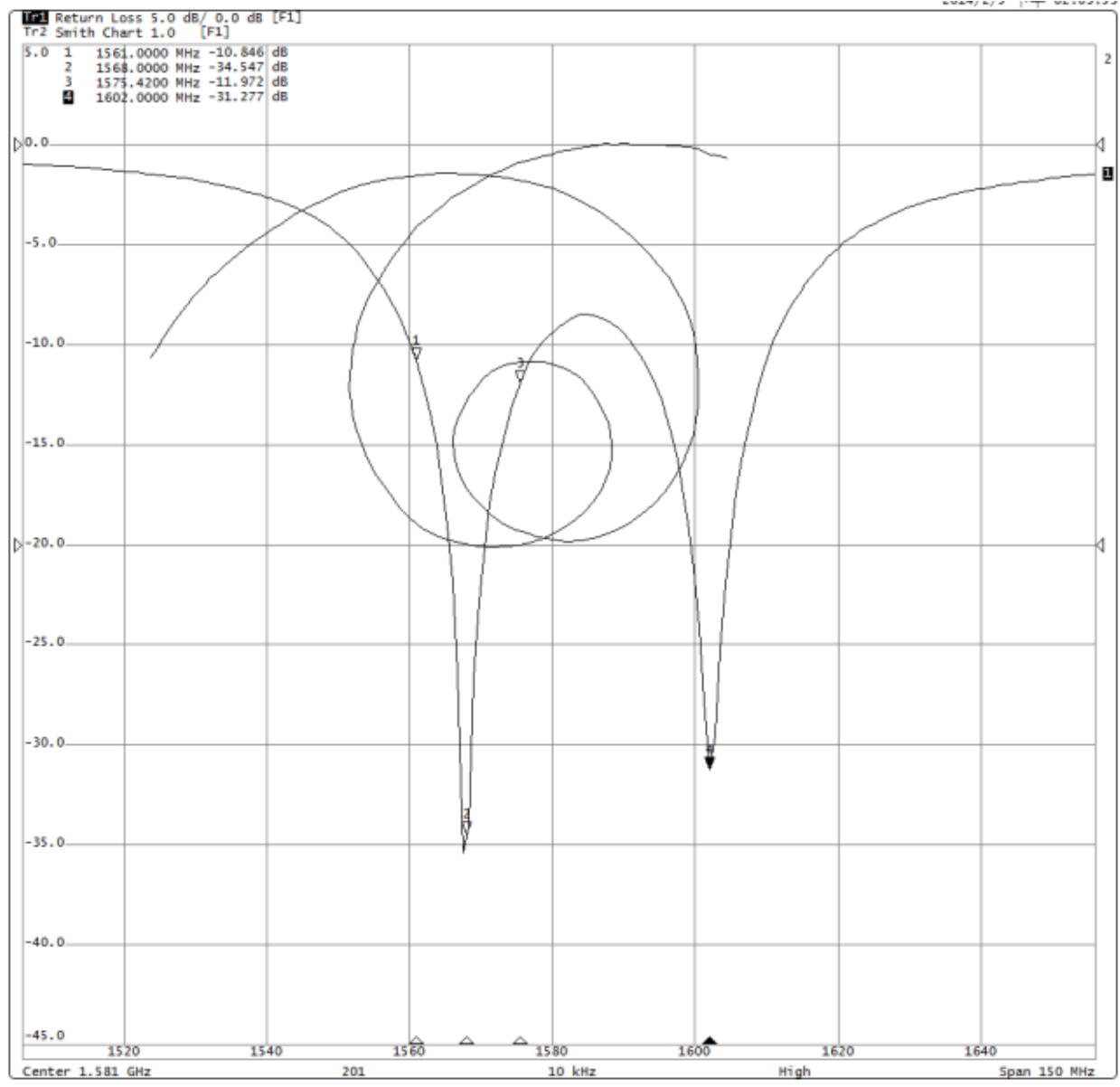
ELECTRICAL	
Frequency	BeiDou: 1561.098MHz \pm 2.046MHz GPS: 1575.42 \pm 1.023MHz GLONASS: 1602 \pm 5MHz
Centre Frequency	1582MHz \pm 3MHz
VSWR	BeiDou: 2.5 max. GPS: 2.5 max. GLONASS: 1.8 max.
Zenith Gain	BeiDou: +2.5 dBi typ. GPS: +1.5dBi typ. GLONASS: +3.5 dBi typ.
Impedance	50 Ω
MECHANICAL	
Dimensions	25 x 25 x 4mm
Material	Ceramic
Pin Diameter	0.9mm
Pin Length	1.65mm
ENVIRONMENTAL	
Operation Temperature	-40°C to 85°C
Storage Temperature	-40°C to 105°C
Humidity	Non-condensing 65°C 95% RH

3. Antenna Characteristics

3.1 S11 Impedance

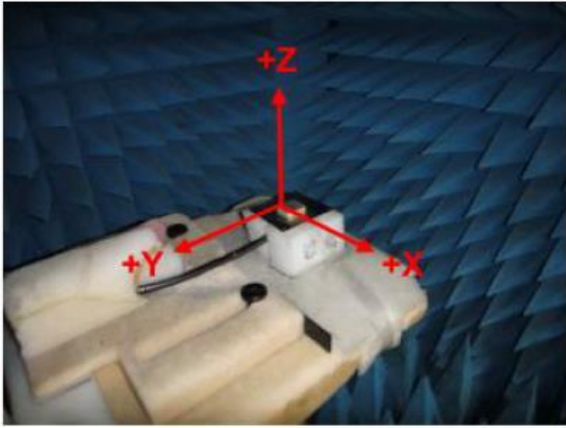


3.2 Return Loss

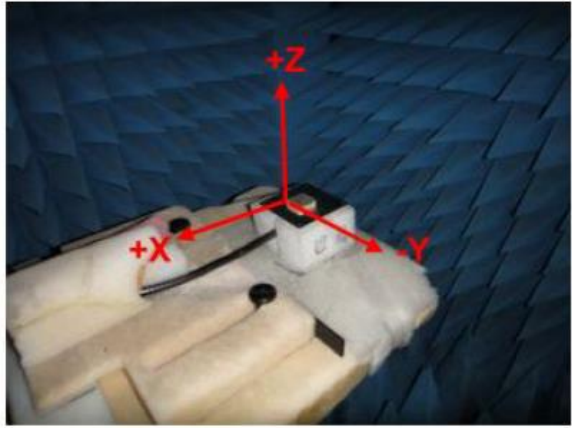


4. 2D Antenna Radiation

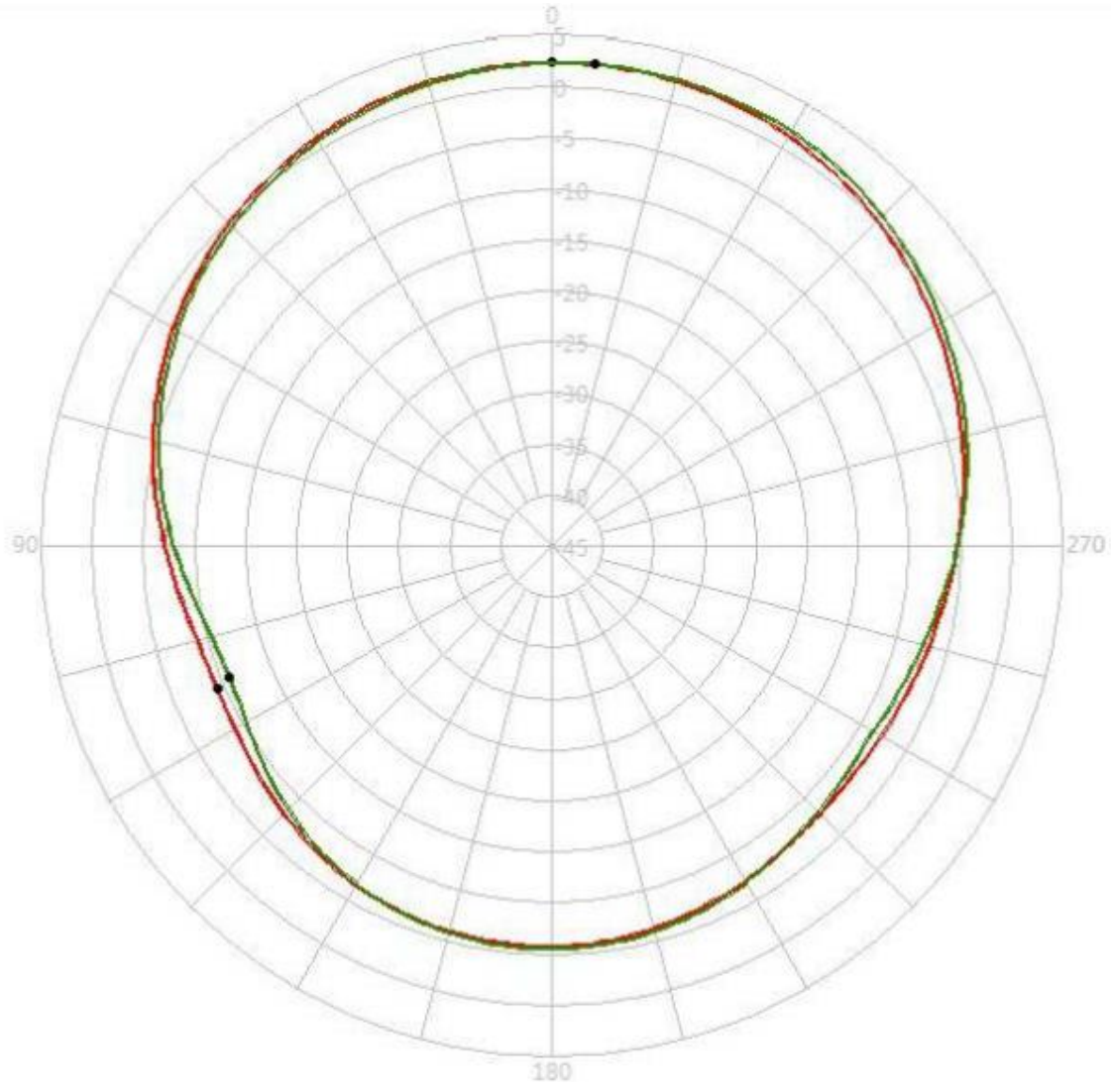
XZ-Plane



YZ-Plane

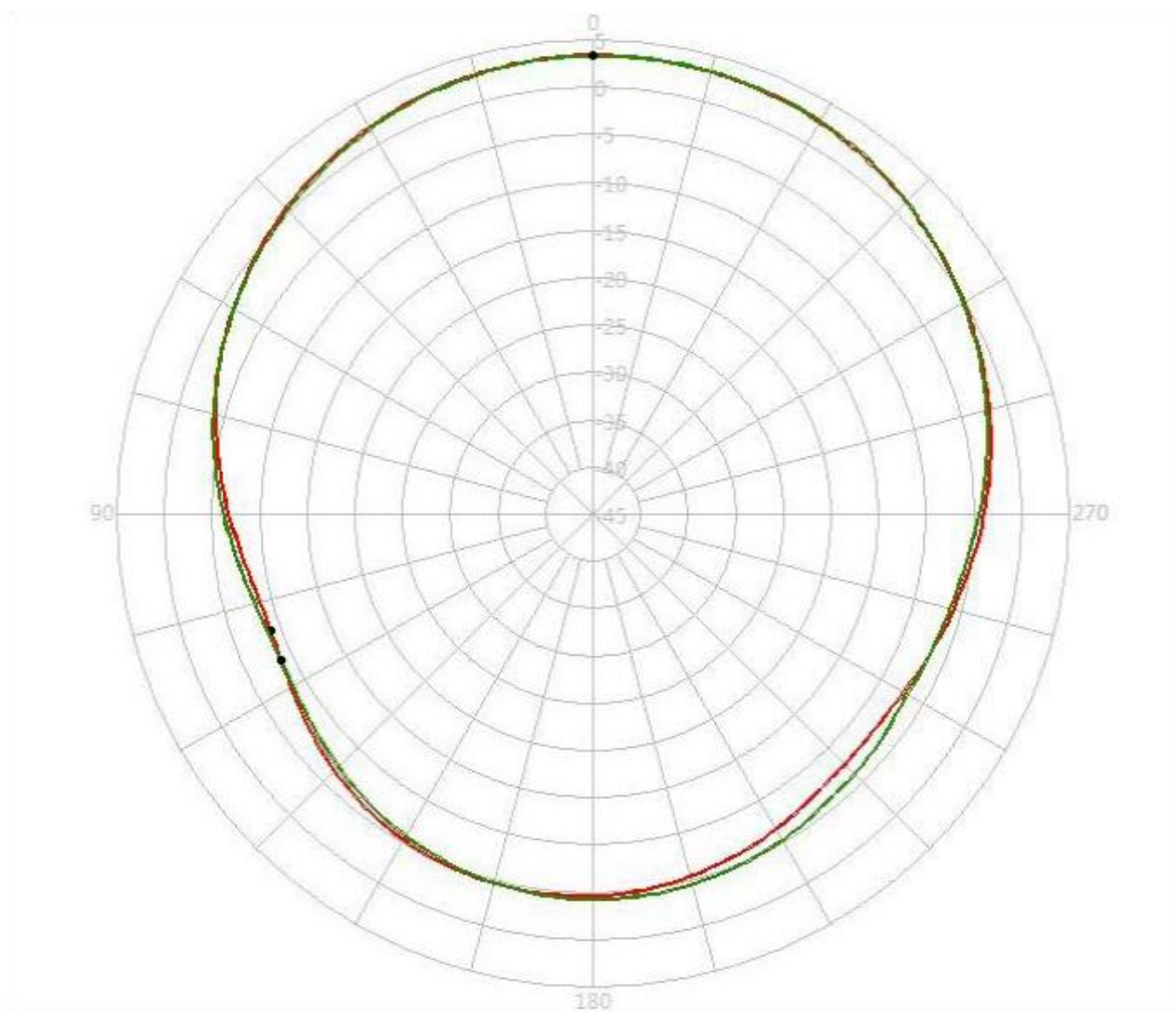


4.1 1575.42MHz



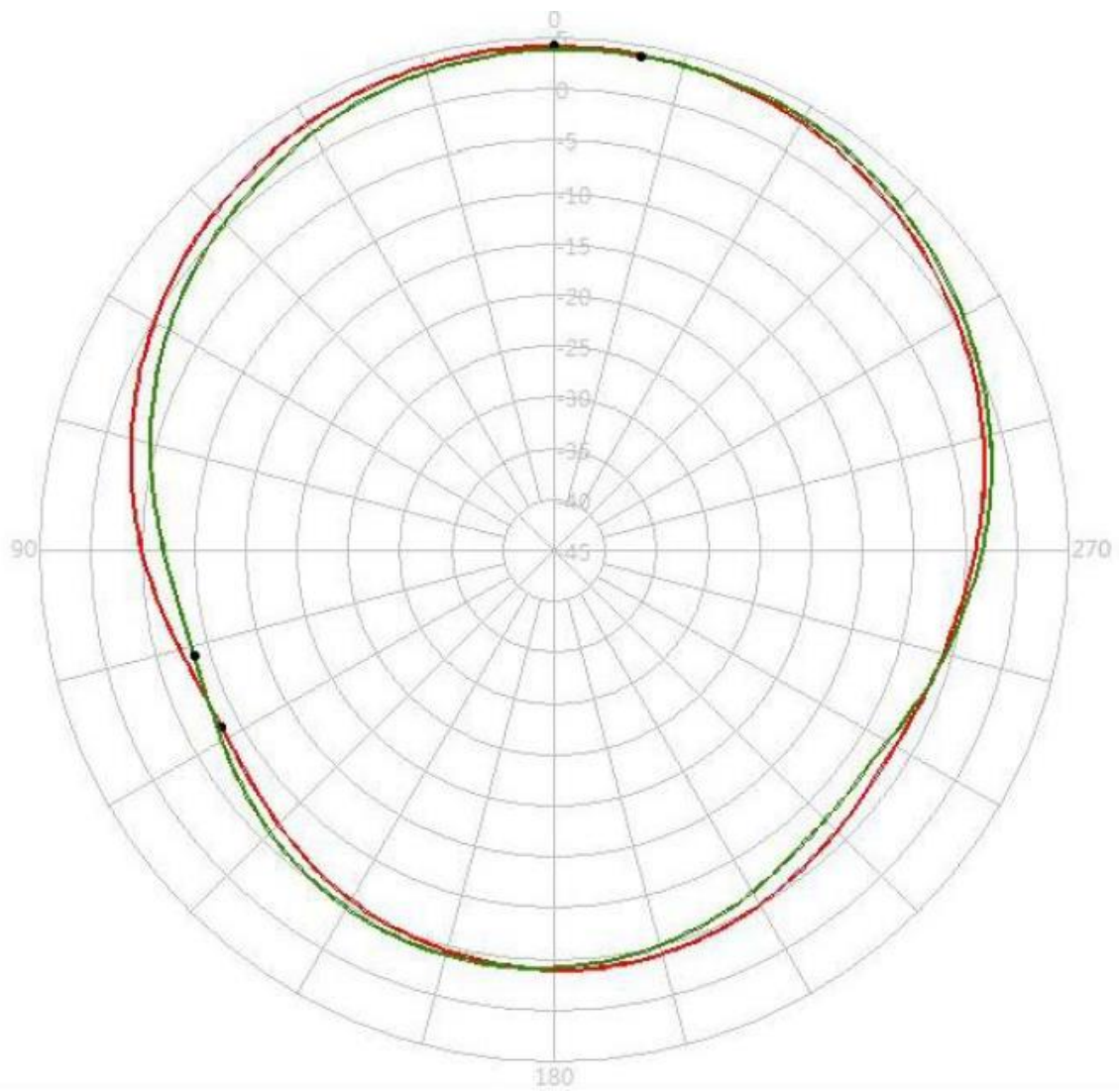
	Peak Gain (dBi)	Average Gain (dBi)
XZ Plane	2.39	-2.26
YZ Plane	2.38	-2.25

4.2 1561MHz



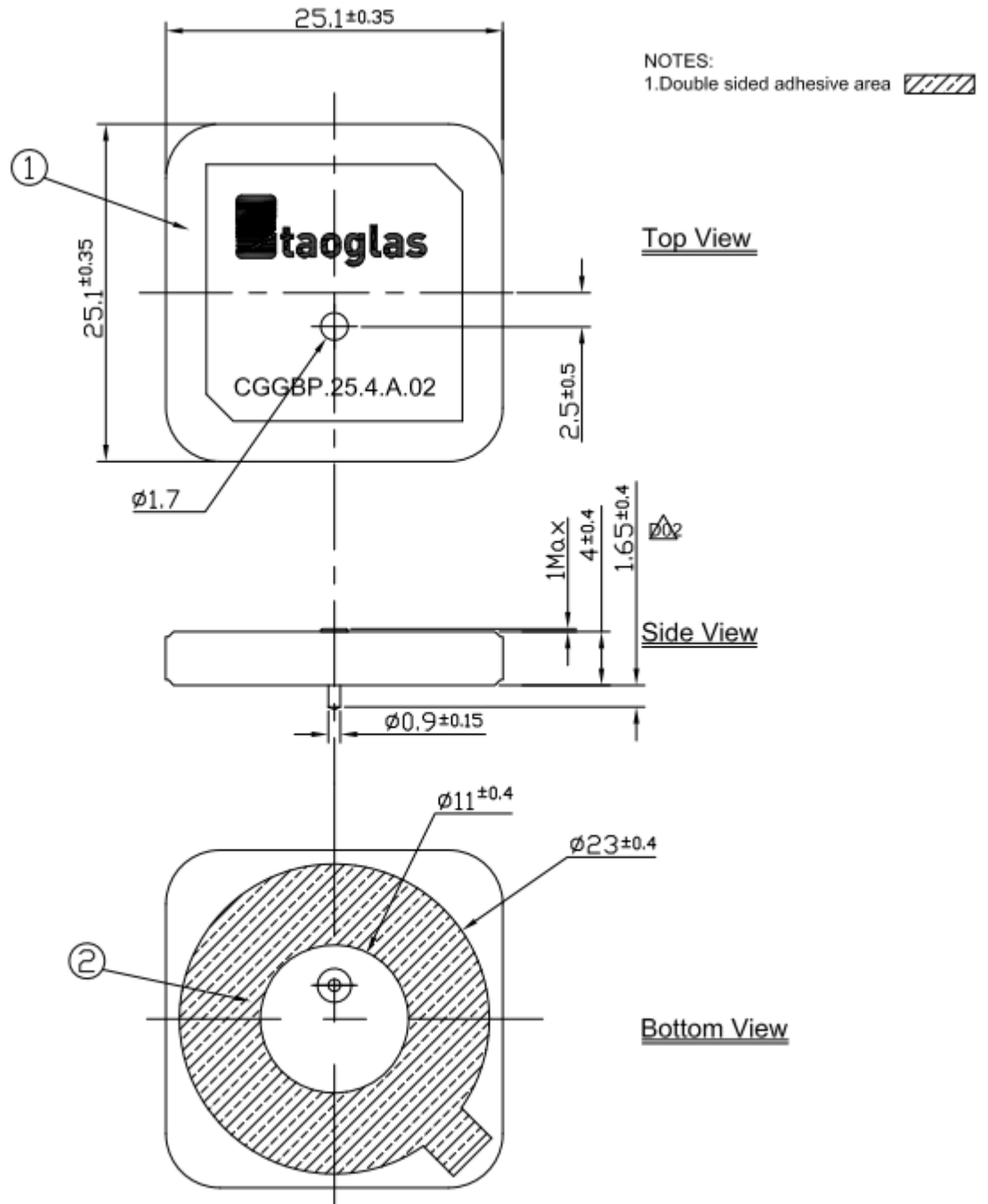
	Peak Gain (dBi)	Average Gain (dBi)
XZ Plane	3.41	-1.20
YZ Plane	3.36	-1.19

4.3 1602MHz



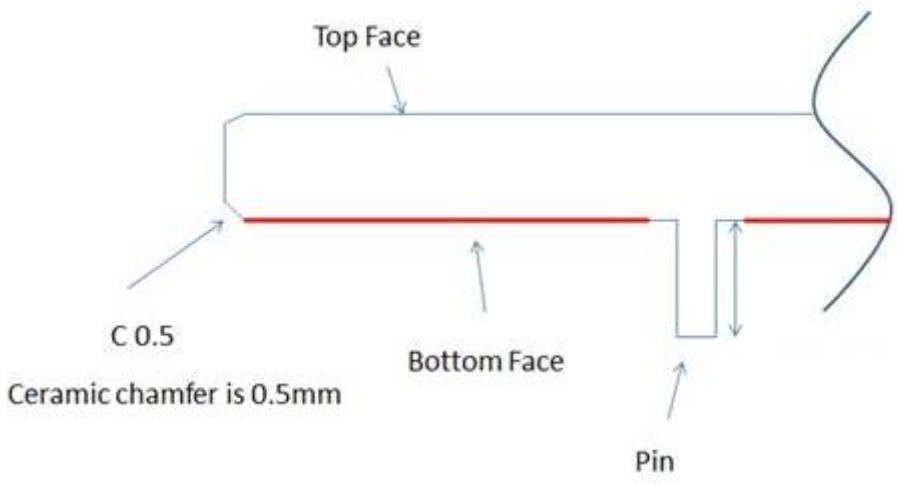
	Peak Gain (dBi)	Average Gain (dBi)
XZ Plane	4.21	-0.48
YZ Plane	3.95	-0.73

5. Mechanical Drawing-Patch



	Name	Material	Finish	QTY
1	Patch 25x25x4	Ceramic	Clear	1
1	Double sided Adhesive	NITTO5015	White Liner	1

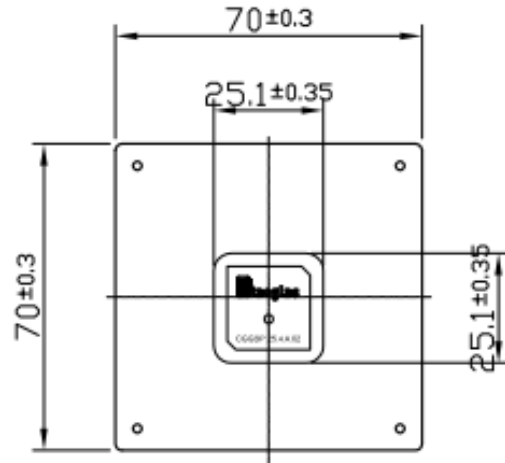
5.1 Adhesive Thickness



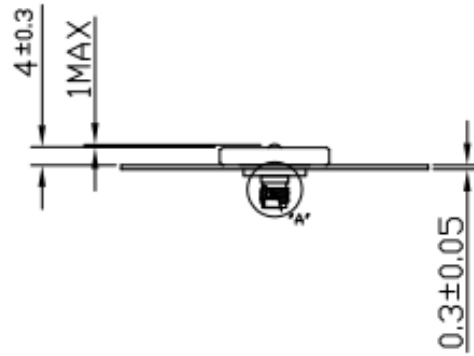
Red Line shows the adhesive without Liner – thickness 0.08~0.1mm

6. CGGBP.D.25.A EVB

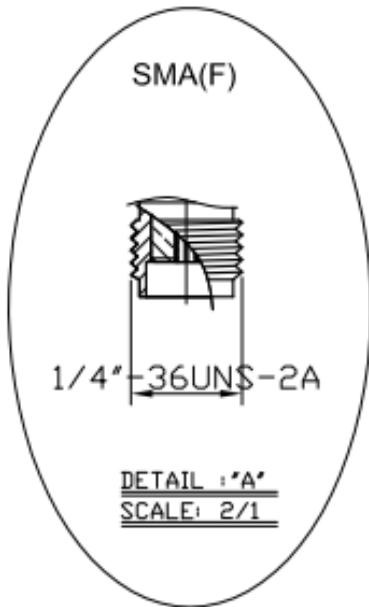
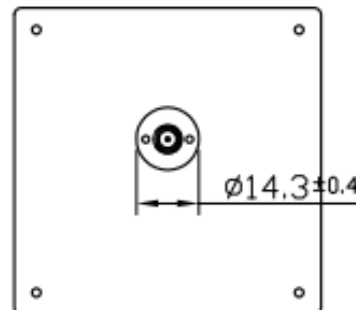
Top View



Side View



Bottom View

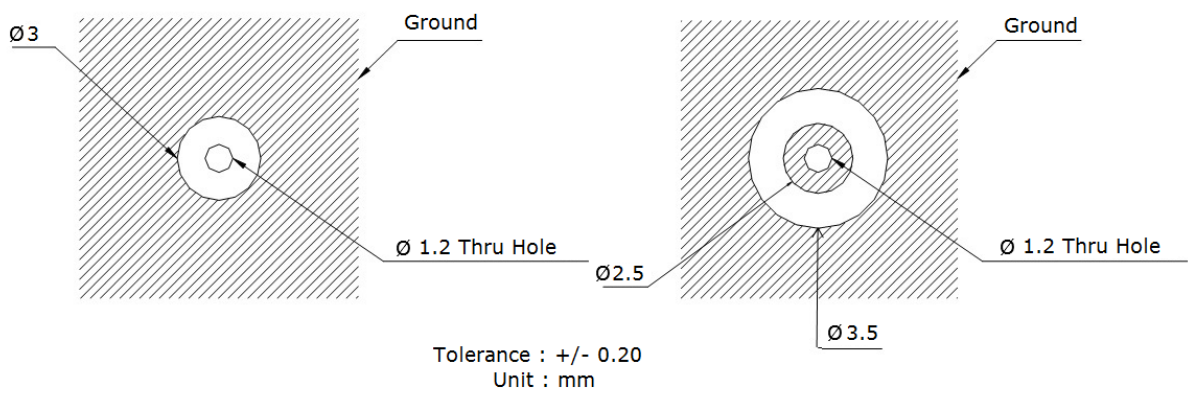


	Name	Material	Finish	QTY
1	Patch(25x25x4mm)	Ceramic	Clear	1
2	Ground-Plane(70x70x0.3mm)	Brass	Silver	1
3	SMA(F) ST	Brass	Gold	1



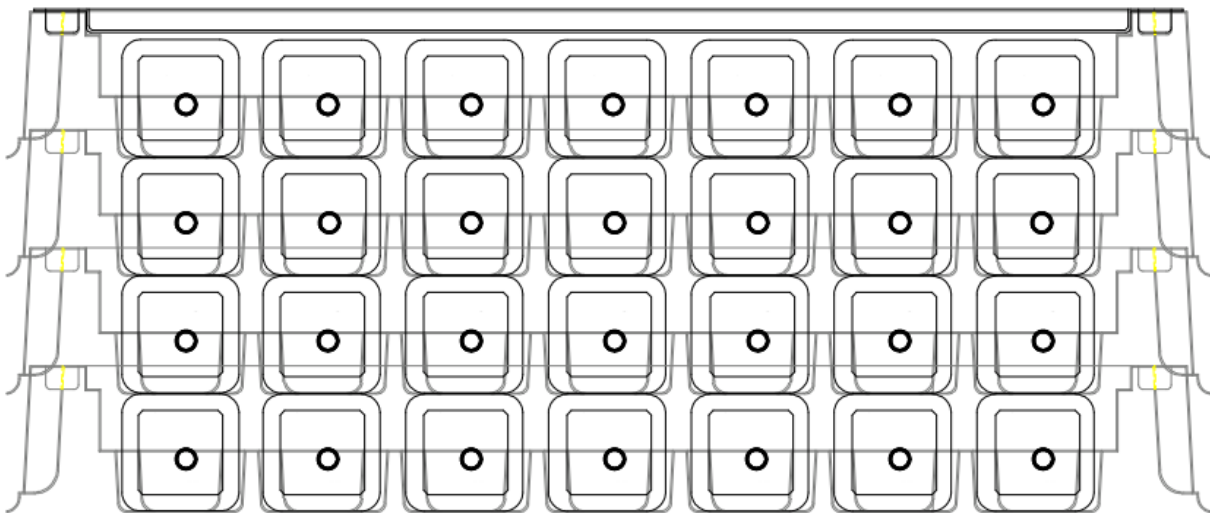
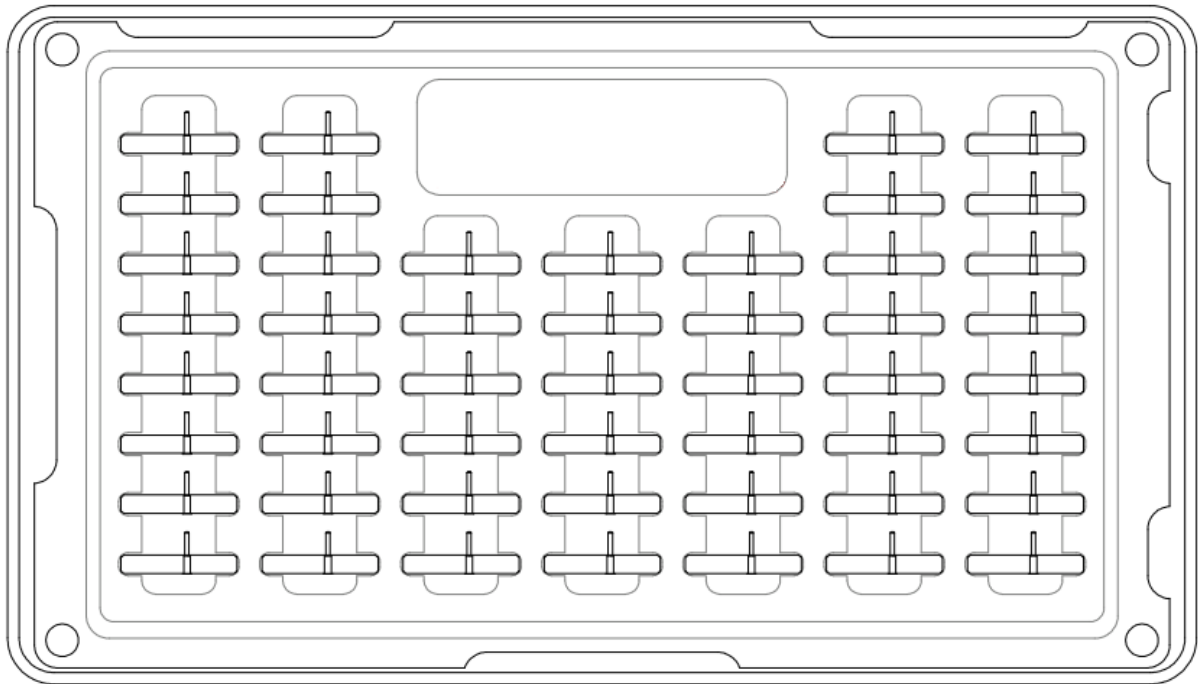
CGGBP.25.4.A.02 Patch on 70*70mm Ground Plane

7. PCB Footprint Recommendation



8. Packaging

8.1 Inner Tray

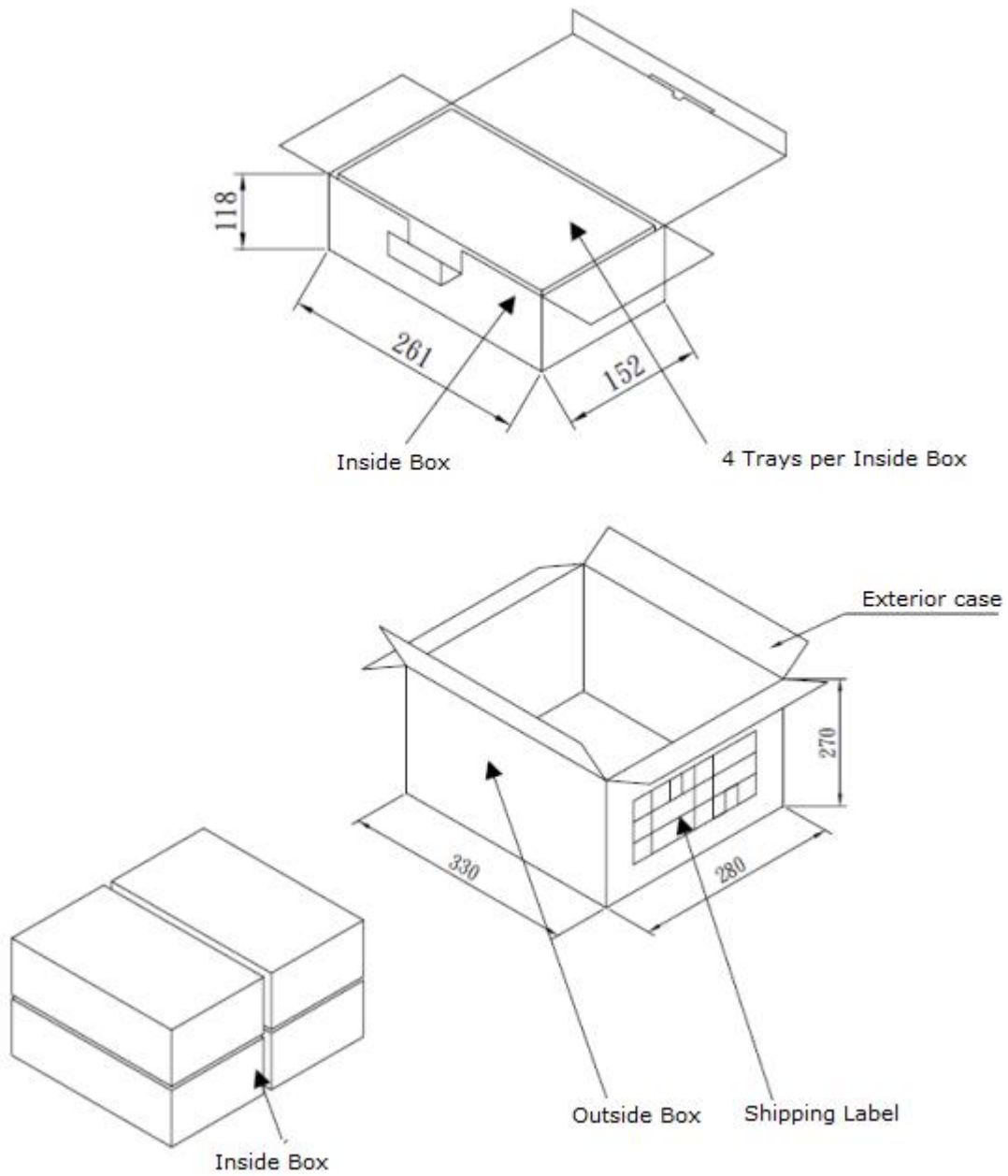


50 pieces per tray

4 Trays per Inside Box = 200

4 Inside Boxes per Outer Carton -Outer Carton contains 800 pieces

8.2 Carton



X-ON Electronics

Largest Supplier of Electrical and Electronic Components

Click to view similar products for [Antenna Development Tools](#) category:

Click to view products by [Taoglas](#) manufacturer:

Other Similar products are found below :

[0868AT43A0020-EB1SMA](#) [EVALBGSA141MN10TOBO1](#) [A10393-U1](#) [PCSD.06.A](#) [B5771-U1](#) [KIT-LTE-GNSS-01](#) [KIT-WIFI-ISM-01](#)
[A10472-U1](#) [REFLECTOR-EVB-1](#) [A10340-U1](#) [ACAG0201-2450-EVB](#) [ACAG0301-15752450-EVB](#) [ACAG0301-1575-EVB](#) [ACAG0301-24505500-EVB](#) [ACAG0301-5500-EVB](#) [ACAG0801-2450-EVB](#) [ACAG1204-433-EVB](#) [ACAG1204-868-EVB](#) [ACAG1204-915-EVB](#)
[ACAR0301-SW2-EVB](#) [ACAR3005-C2WB-EVB](#) [ACAR3005-S824-EVB](#) [ACAR3705-S698-EVB](#) [ACAR4008-S698-EVB](#) [A10137-D](#)
[A10194-U1](#) [A10204-U1](#) [A5645H-EVB-1](#) [A5645-U1](#) [A5887H-EVB-1](#) [A6111-U1](#) [M20057-EVB-1](#) [SR42W001-U1](#) [SR42W009-U1](#)
[SR4G008-U1](#) [SR4G013-U1](#) [SR4G053-EVB-1](#) [SR4L049-EVB-1](#) [SRC5G027-U1](#) [SRCW004-U1](#) [1001312-01](#) [M310220-01](#) [M620720-01](#)
[M830120-01](#) [M830520-01](#) [EB_NN01-105A](#) [EB_NN02-201-5G](#) [CCKLTE450-NA](#) [AEK-GNCP-TH258L15](#) [MPA-104- KIT](#)