

SPECIFICATION

Part No.	: CGGP.25.4.A.02
Product Name	: 4mm thick GPS/GLONASS Patch Antenna, 1575-1610MHz
Feature	: Wide-band Operation 25*25*4mm 5dBi Peak Gain (on 70mm*70mm ground-plane) Pin type Automotive TS16949 Production and Quality Approved RoHS compliant



1. Introduction

This 25 mm ceramic GPS/Glonass patch antenna, by means of a double resonance design, has unique wide-band operation over the whole operating bands of GPS and Glonass systems from 1575MHz to 1610MHz. It is mounted via pin and double-sided adhesive.

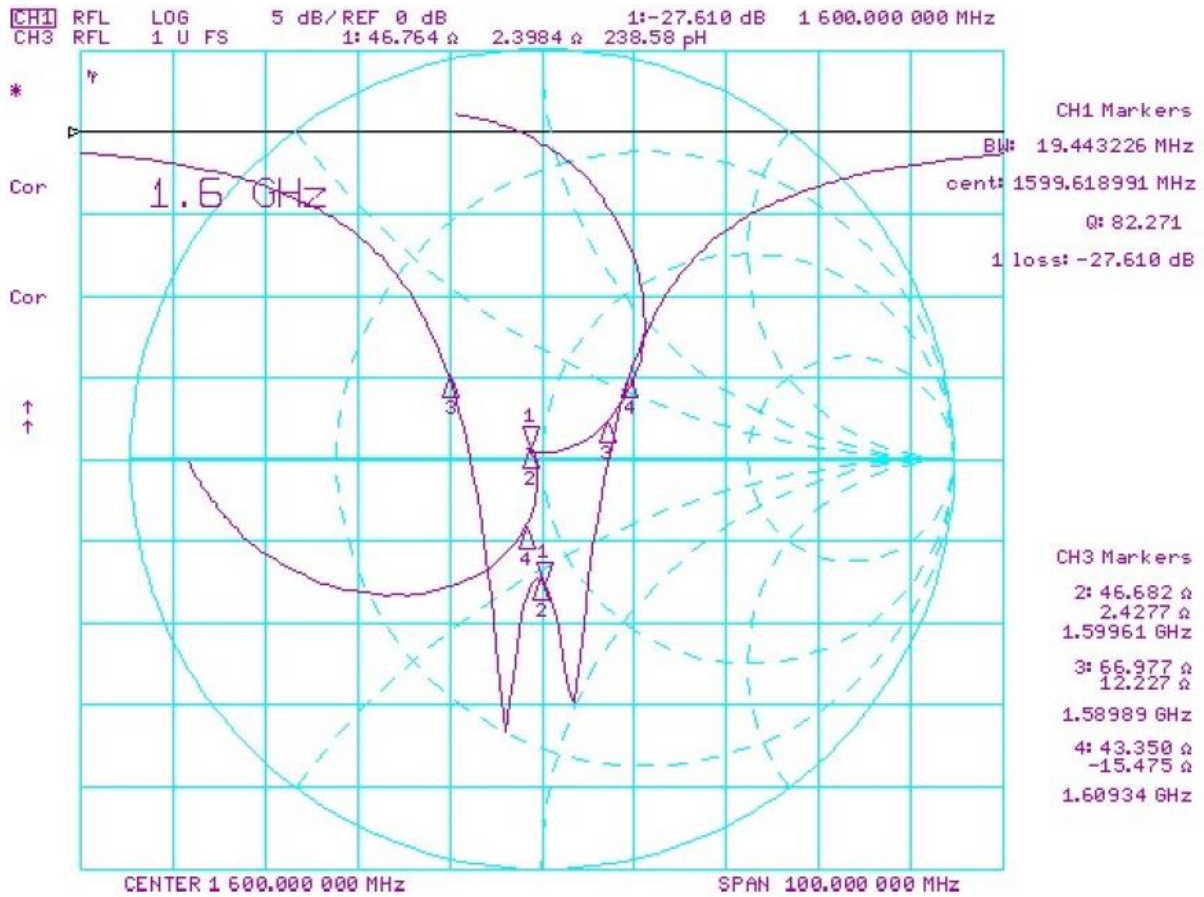
This antenna has been tuned for a centre position on a 70mm*70mm ground-plane. It is manufactured and tested in a TS16949 first tier automotive approved facility. For further optimization to customer specific device environments where positioning is off centre or on different ground-plane sizes, custom tuned patch antennas can be supplied. For more details please [Contact Us](#).

2. Specification

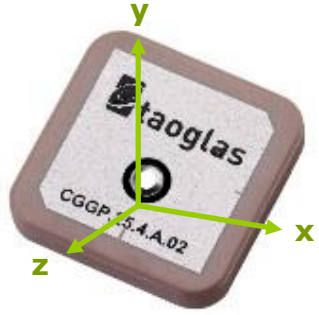
ELECTRICAL	
Center Frequency	1600MHz ± 3MHz
Bandwidth	15 MHz min Return Loss <-10dB
VSWR	1.5 max
Gain at Zenith	+5.0 dBi typ.
Gain at 10° Elevation	-1.0 dBi typ.
Impedance	50 ohms
MECHANICAL	
Ceramic Dimension	25.1 x 25.1 x 4mm
Pin Diameter	0.9mm
Pin Length	1.8mm
ENVIRONMENTAL	
Operation Temperature	-40°C to 105°C
Humidity	Non-condensing 65°C 95% RH

* Antenna properties were measurement with the antenna mounted on 70mm*70mm
Ground Plane
Taoglas Part # CGGPD.25.A

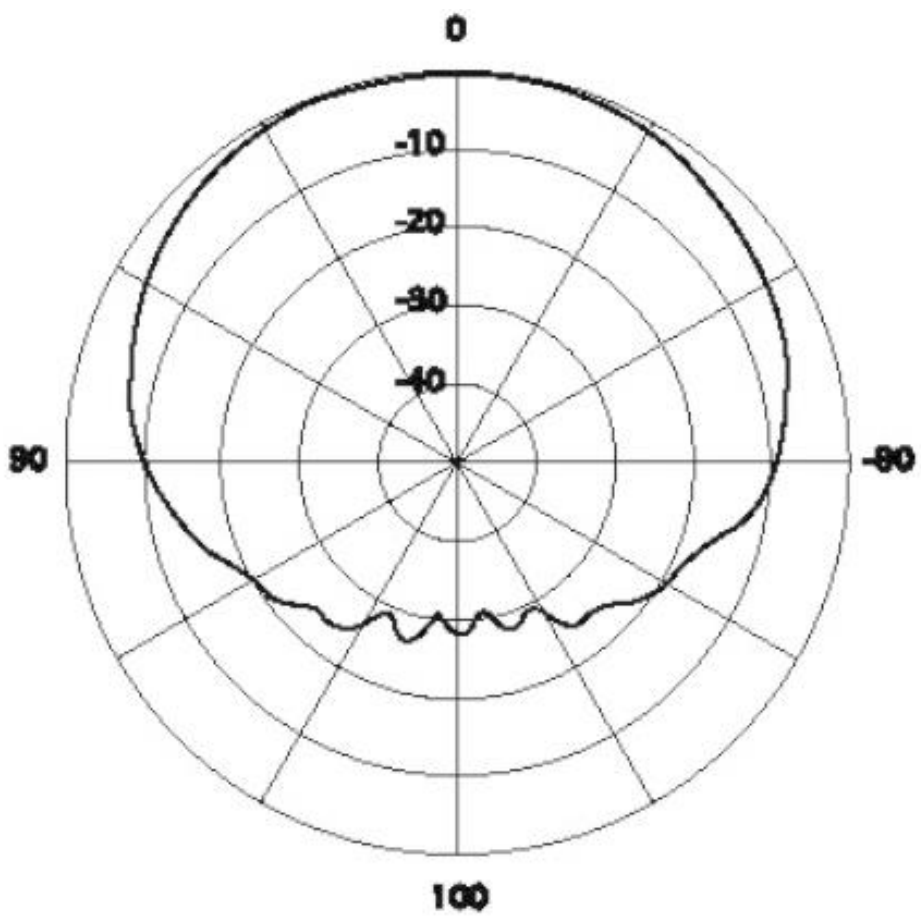
3. Antenna S11 Properties



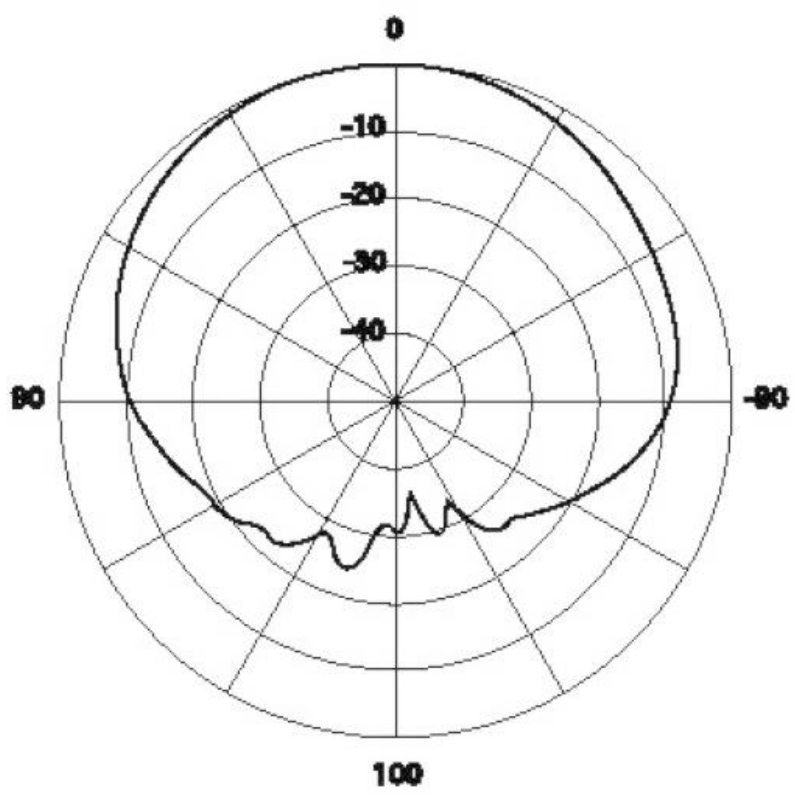
4. Antenna Radiation Properties



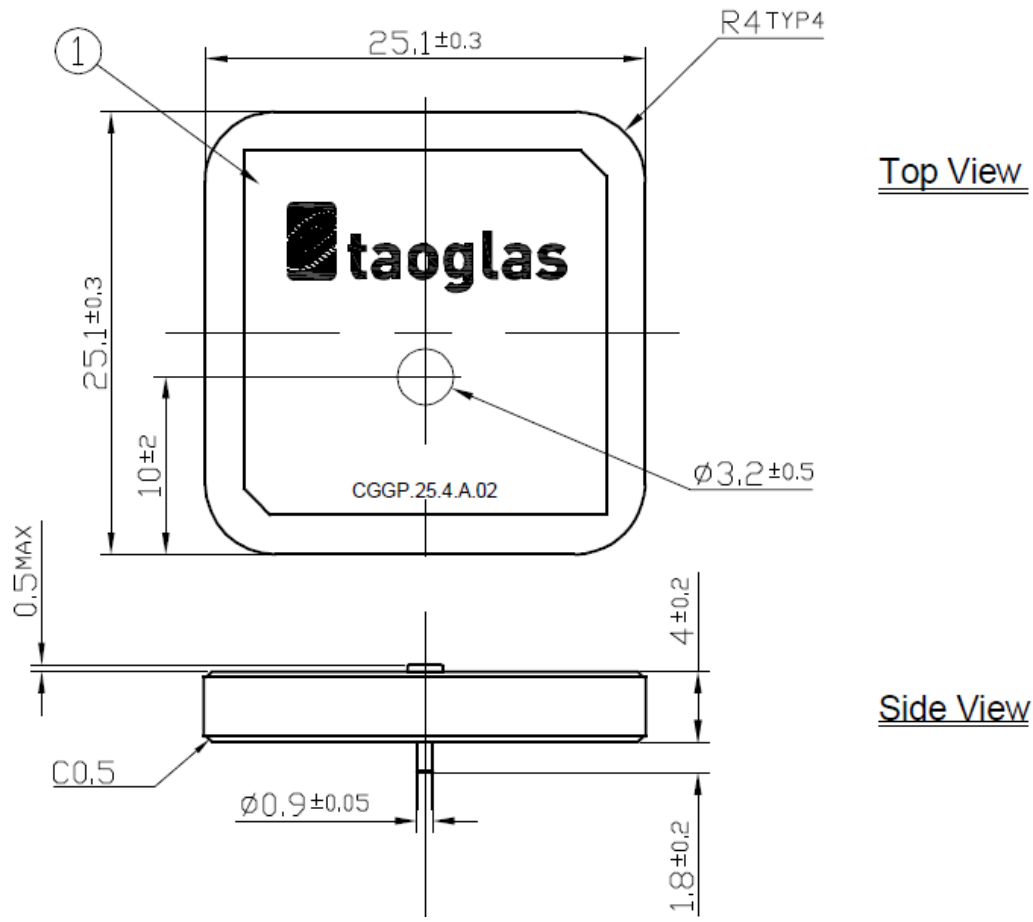
4.1. XZ – Plane Radiation

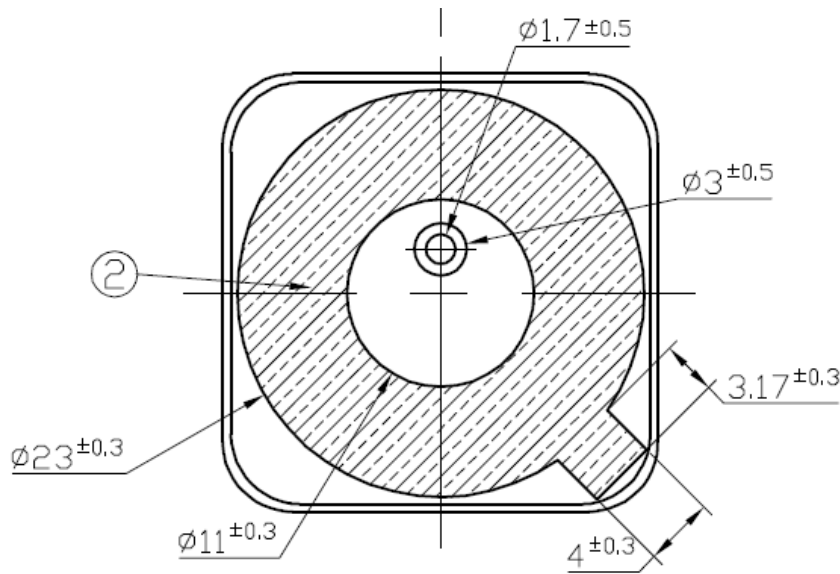


4.2. YZ- Plane Radiation



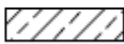
5. Mechanical Drawing





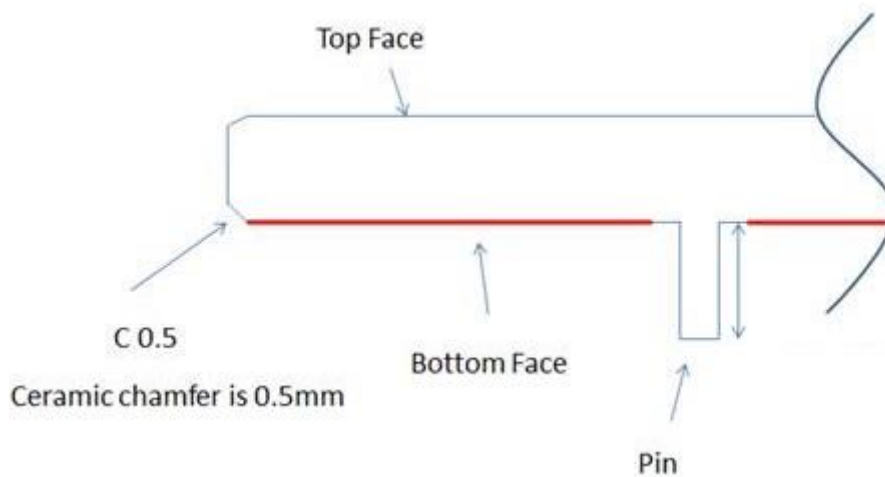
Bottom View

NOTES:

1. Double sided adhesive area. 

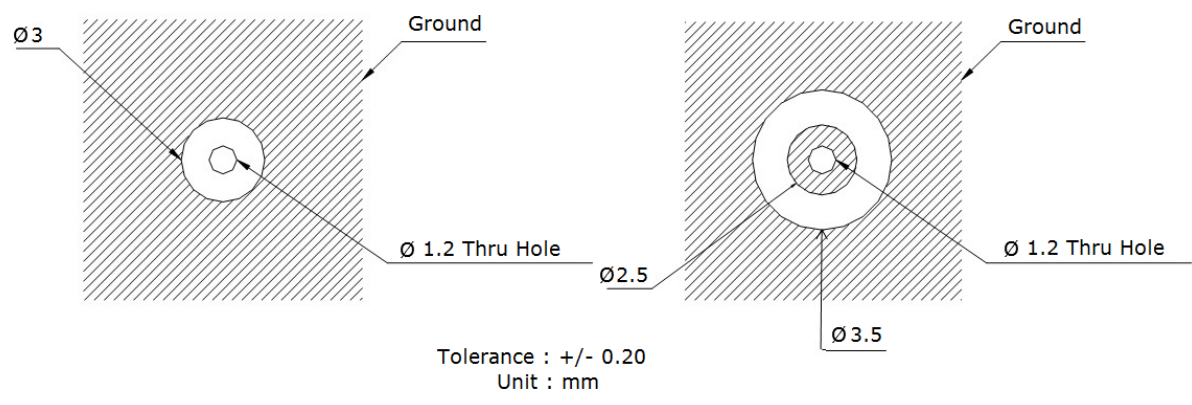
Unit : mm

5.1 Adhesive Thickness

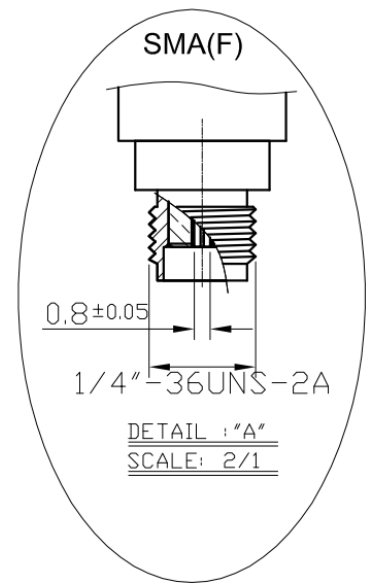
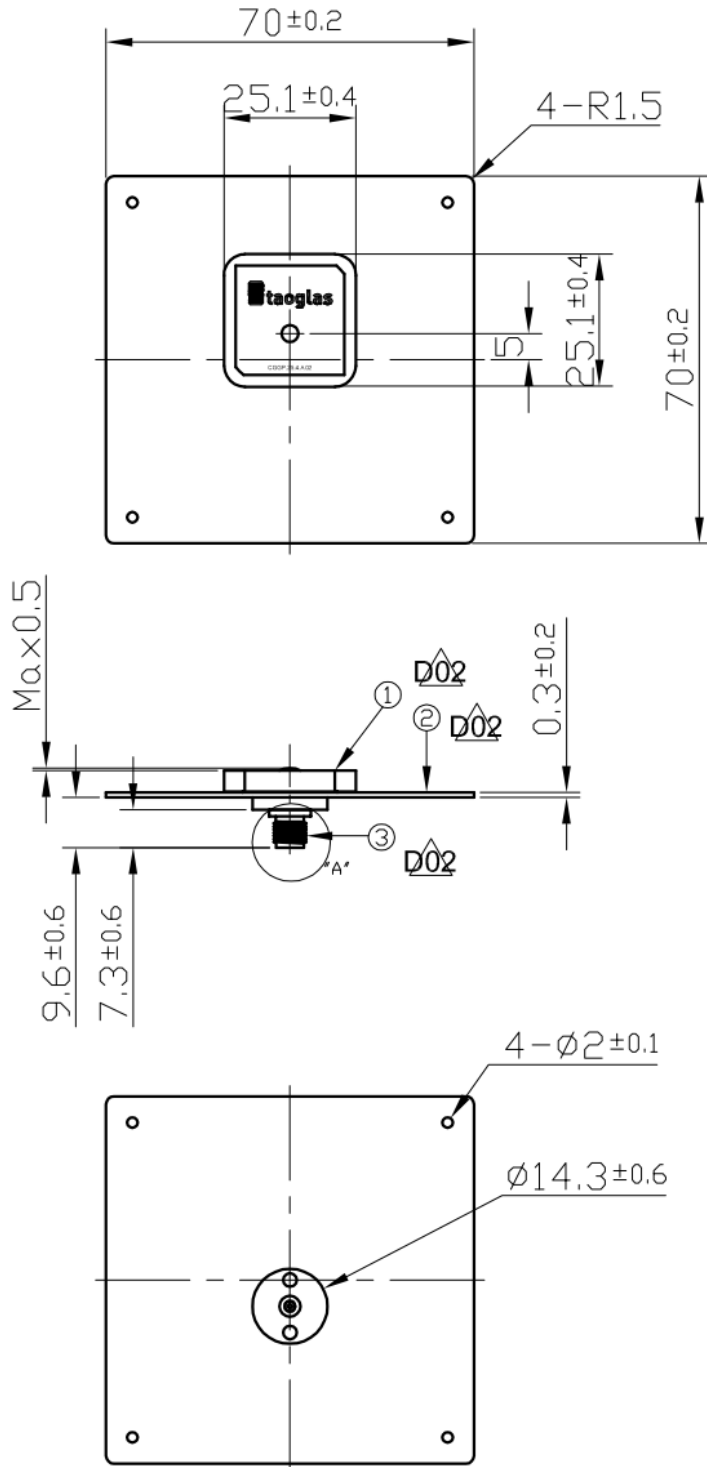


Red Line shows the adhesive without Liner – thickness 0.08~0.1mm

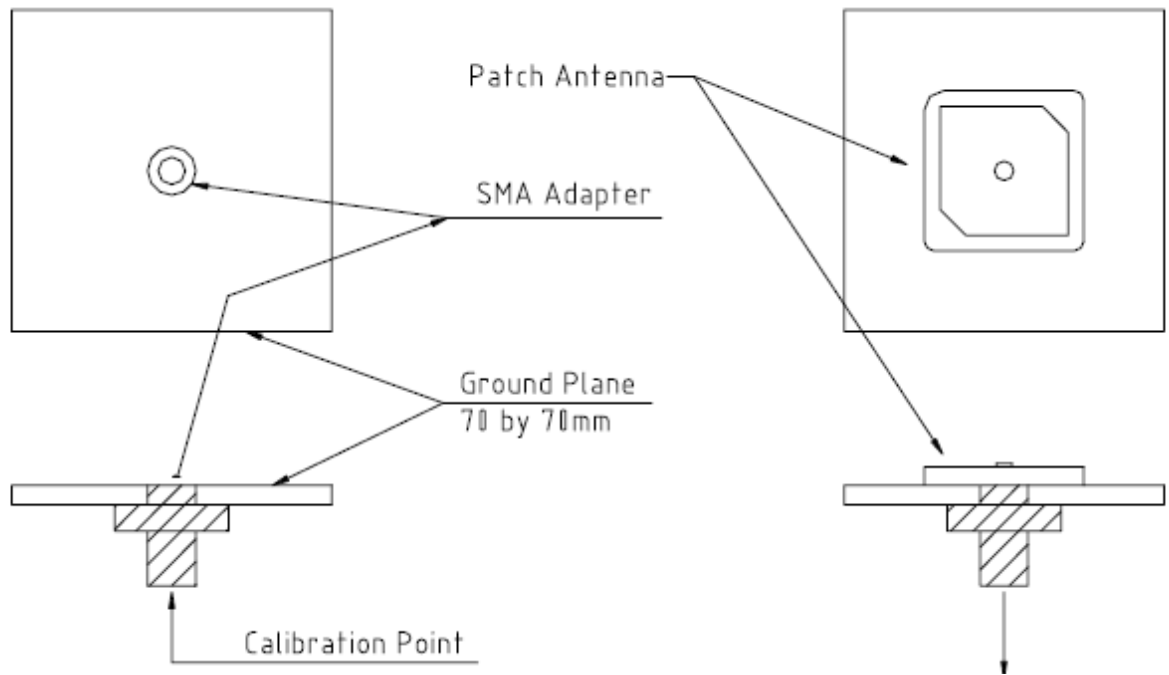
6. PCB Footprint Recommendation



7. Evaluation Board (CGGPD.25.A)

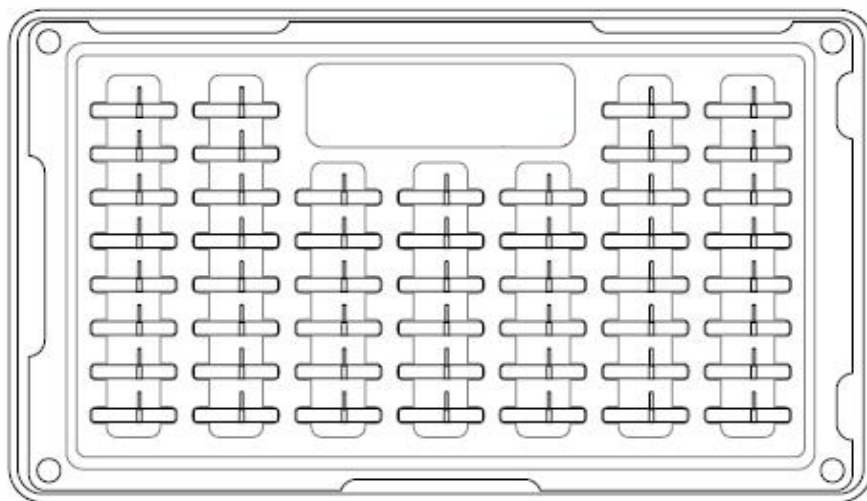


	Name	Finish	QTY
1	Patch(25x25x4mm)	Clear	1
2	Ground-Plane(70x70x0.3mm)	Ni Plated	1
3	SMA(F) ST	Gold	1



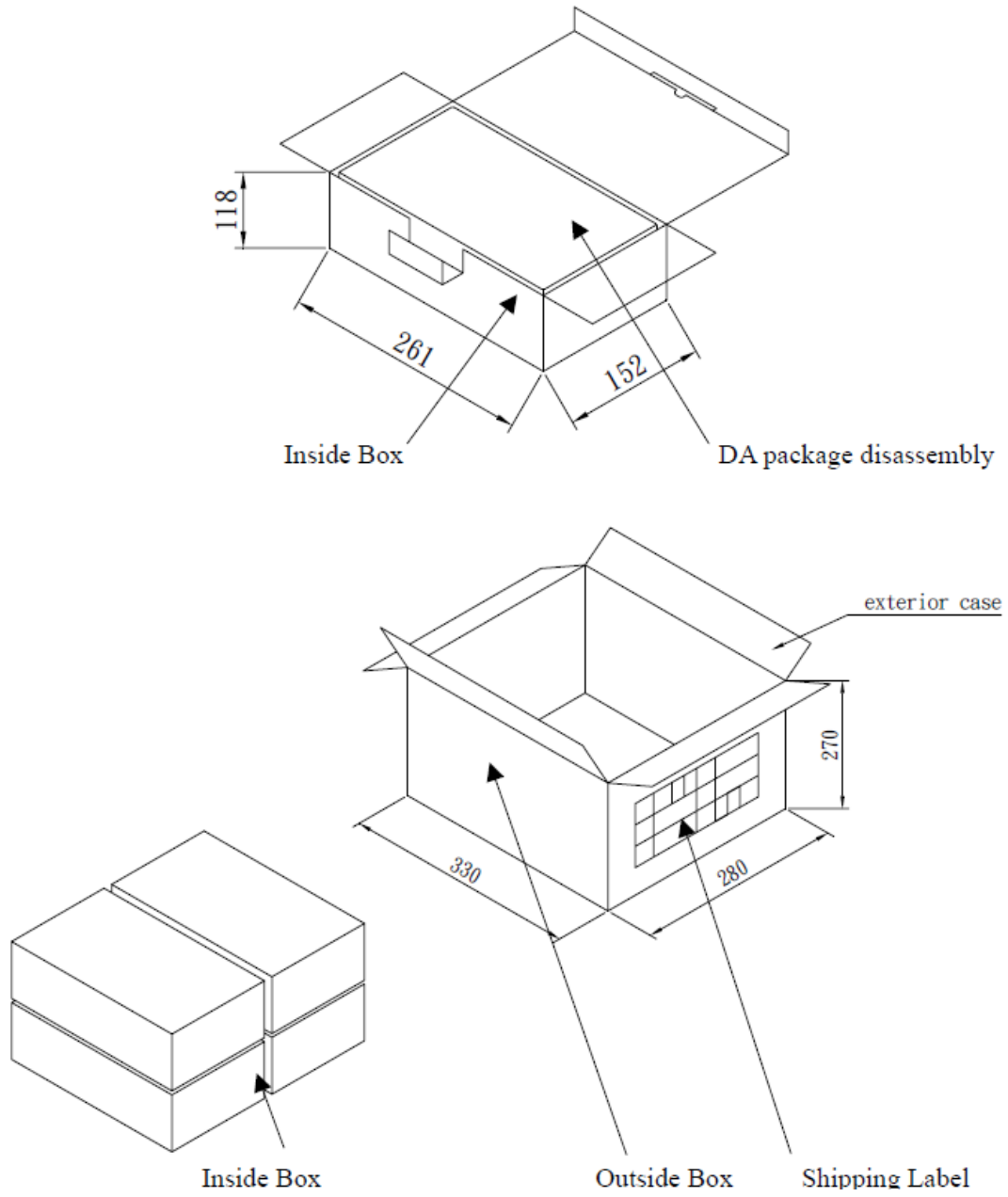
8. Packaging

8.1. Inner Tray



200 pieces per tray

8.2. Carton



X-ON Electronics

Largest Supplier of Electrical and Electronic Components

Click to view similar products for [Antennas](#) category:

Click to view products by [Taoglas](#) manufacturer:

Other Similar products are found below :

[GAN30084EU](#) [930-033-R](#) [GW17.07.0250E](#) [1513563-1](#) [EXE902SM](#) [APAMPG-117](#) [MAF94383](#) [W3908B0100](#) [W6102B0100](#) [YE572113-](#)
[30RSMM](#) [108-00014-50](#) [66089-2406](#) [A09-F8NF-M](#) [A09-F5NF-M](#) [RGFRA1903041A1T](#) [W3593B0100](#) [W3921B0100](#) [SIMNA-868](#) [SIMNA-](#)
[915](#) [SIMNA-433](#) [W1044](#) [W1049B090](#) [A75-001](#) [WTL2449CQ1-FRSMM](#) [CPL9C](#) [EXB148BN](#) [0600-00060](#) [TRA9020S3PBN-001](#) [GD5W-](#)
[28P-NF](#) [MA9-7N](#) [GD53-25](#) [GD5W-21P-NF](#) [EXB144SM](#) [C37](#) [MAF94051](#) [P1744](#) [MA9-5N](#) [EXD420PL](#) [B1322NR](#) [QWFTB120](#)
[MAF94271](#) [MAF94300](#) [GPSMB301](#) [FG4403](#) [AO-AGSM-OM54](#) [5200232](#) [MIKROE-2349](#) [WCM.01.0111](#) [MIKROE-2393](#) [MIKROE-2352](#)