



TAOGLAS®



Datasheet

Meteor

Part No:
FW.43.B.SMA.M

Description:

Meteor ISM Band 433MHz
Flexible Whip Monopole Antenna SMA(M) Straight

Features:

External ISM Band 433MHz
Monopole Antenna
Designed for Outdoor Use
60%+ efficiency*
OdBi peak gain*
Robust Inner Steel Core
Antenna Length: 323mm
SMA Type(M) Straight Connector
IP65 dust and water-resistant
*Tested on 30cm*30cm Ground Plane
RoHS Compliant

1. Introduction	3
2. Specifications	4
3. Antenna Characteristics	5
4. Radiation Patterns	7
5. Mechanical Drawing	9
6. Packaging	10
<hr/>	
Changelog	11

Taoglas makes no warranties based on the accuracy or completeness of the contents of this document and reserves the right to make changes to specifications and product descriptions at any time without notice. Taoglas reserves all rights to this document and the information contained herein. Reproduction, use or disclosure to third parties without express permission is strictly prohibited.



1. Introduction



The FW.43 is a flexible 433MHz whip antenna with a SMA type (M) connector for outdoor use. It features excellent efficiency (>60%) and peak gain (>0 dBi) at 433MHz on a 30x30 cm ground plane.

Common applications are wireless sensor monitoring, smart metering, remote asset monitoring, and security systems.

The FW.43 has an excellent omnidirectional radiation pattern, ensuring wide coverage. The antenna's high efficiency means that it allows your radio to consume less power than with a lower efficiency antenna when transferring data. It also means a better signal strength and better sensitivity in areas of low signal levels. The antenna performs at its best while attached to a ground plane with dimensions of at least 30x30 cm

The FW.43 whip is made of a flexible inner steel core covered by PE so it is extremely resistant to abrasion and maintains its original shape and RF performance even after shock. This rugged design and IP65 waterproof rating on the housing ensure high reliability.

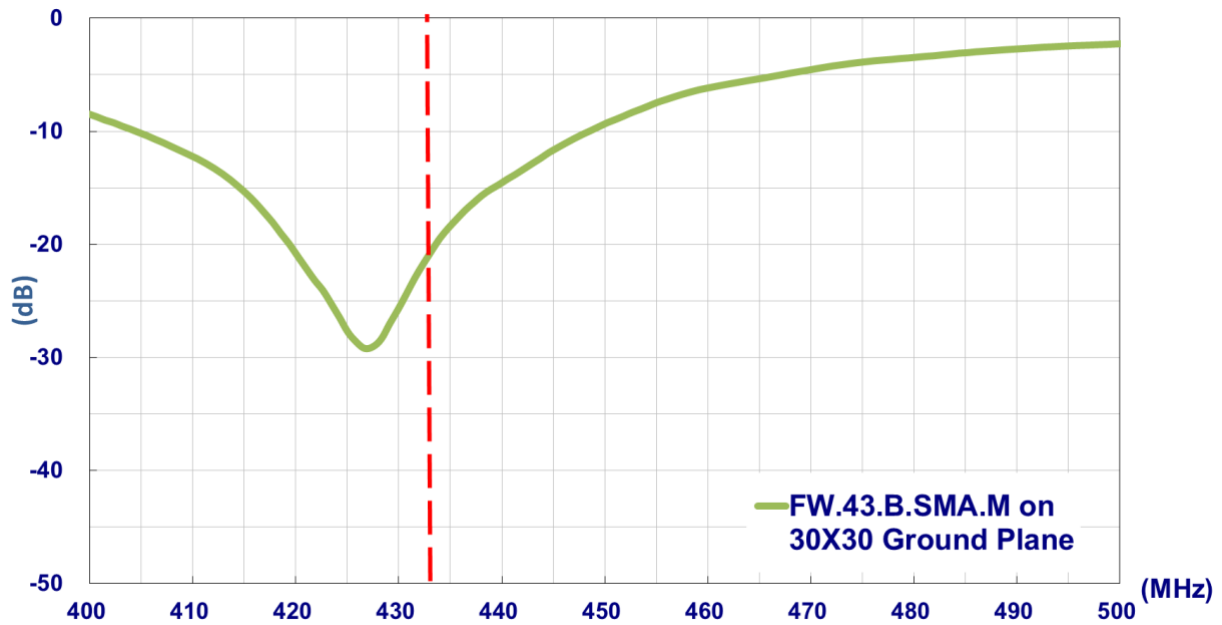
This antenna comes with SMA(M) connector as standard. Other custom variants can be provided subject to NRE and MOQ. Contact your regional Taoglas office for details.

2. Specifications

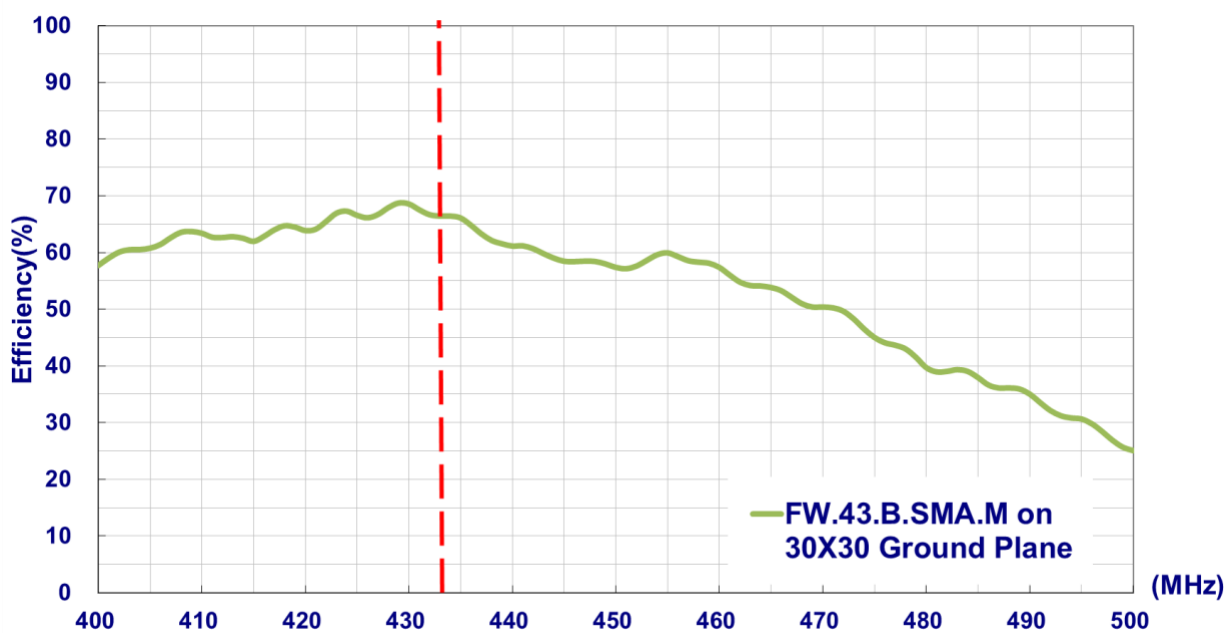
ISM Band 433MHz	
Center Frequency	433MHz
Design Environment	On 30x30cm ground
Efficiency	66.42%
Peak Gain	0.46dBi
Return loss	< -15dB
VSWR	≤ 1.5:1
Impedance	50Ω
Polarization	Linear
Radiation Pattern	Omni-Directional
Input Power	2 W
Total Power	10 W
Mechanical	
Dimensions	Height 323 ± 10 mm
Base Diameter	16 ± 0.6 mm
Whip Diameter	6.2 ± 0.6 mm
Casing	ABS
Connector	SMA Type(M) Straight
Weight	66 g
Dust and Water Resistance	IP65
Environmental	
Temperature Range	-40°C to 85°C
Humidity	Non-condensing 65°C 95% RH

3. Antenna Characteristics

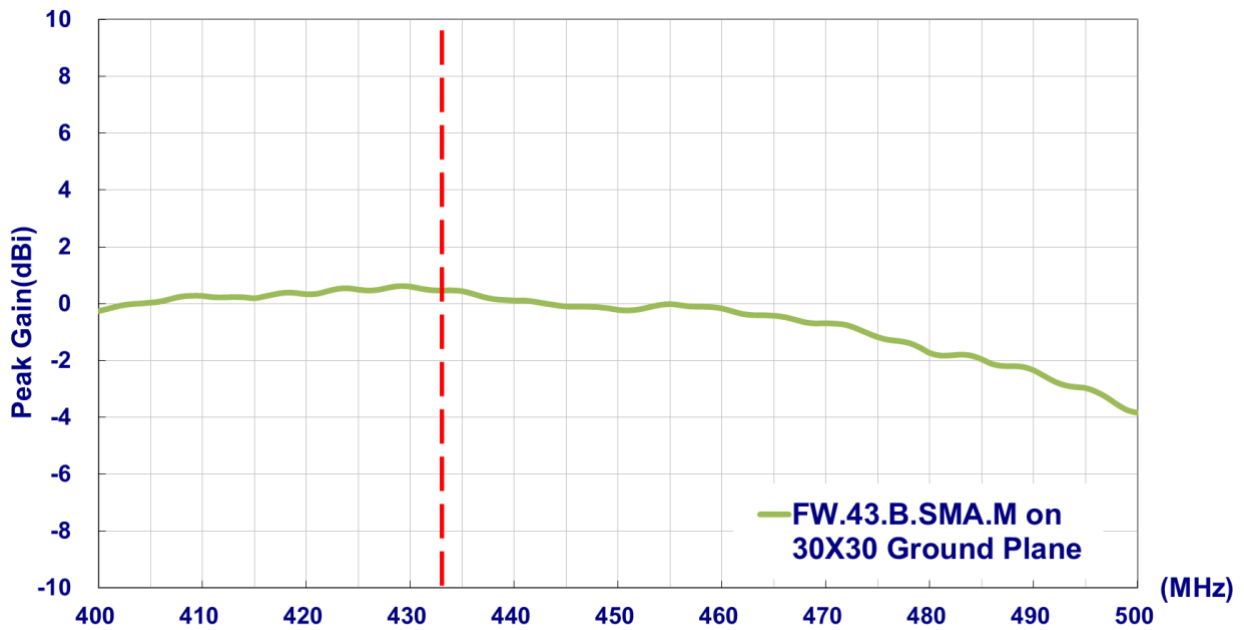
3.1 Return Loss



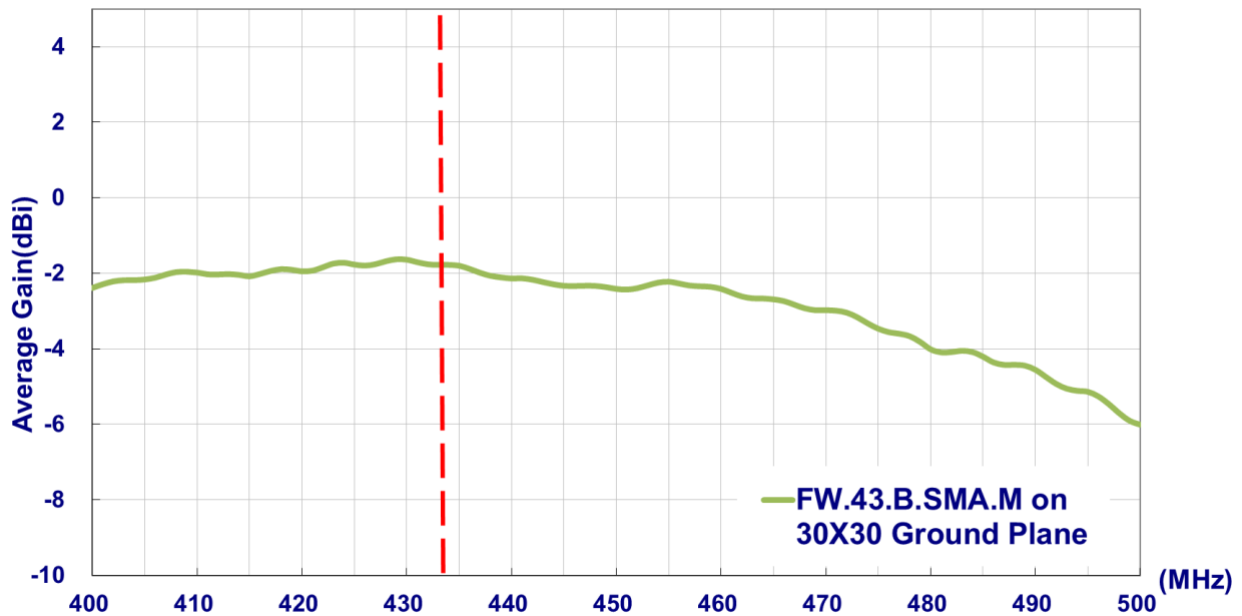
3.2 Efficiency



3.3 Peak Gain

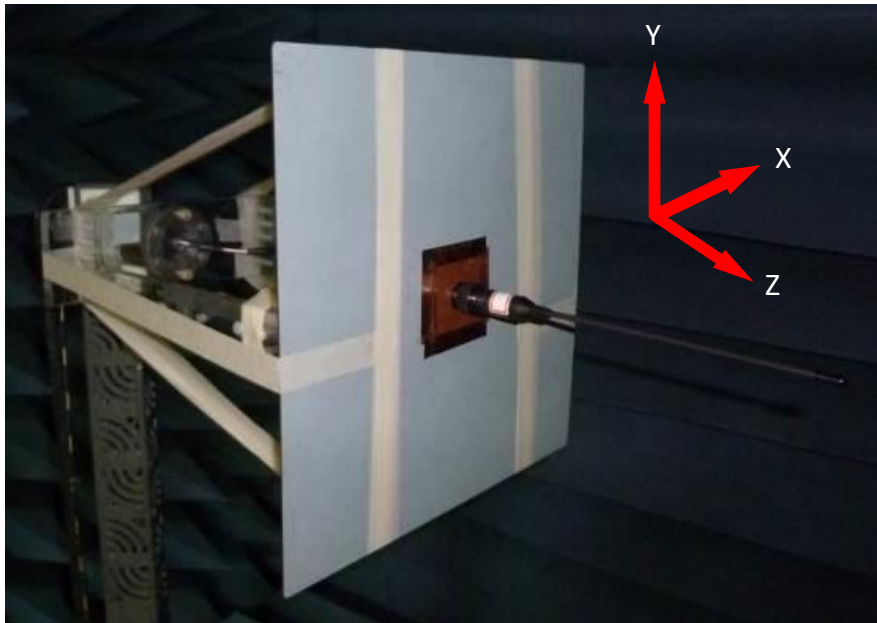


3.4 Average Gain



4. Radiation Patterns

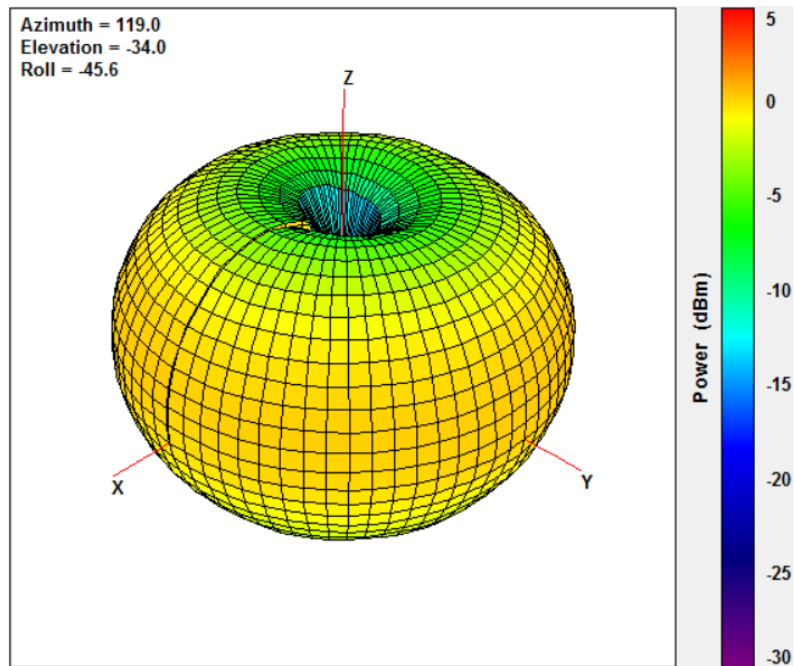
4.1 Test Setup



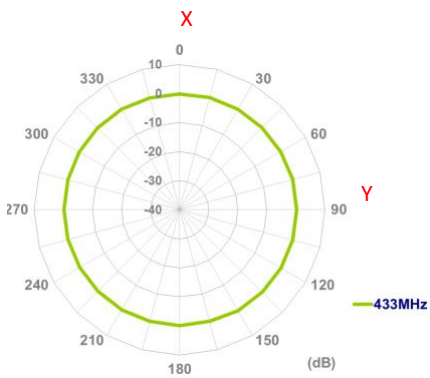
On 30x30 cm ground plane

4.2 3D and 2D Radiation Patterns

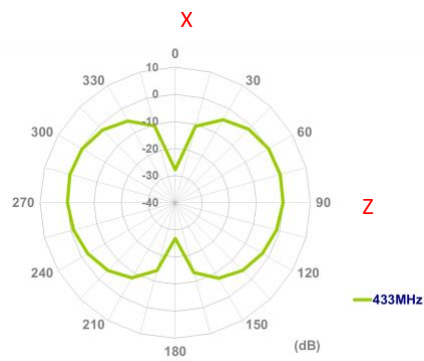
3-D Radiation Pattern on 30cm*30cm Ground Plane @433MHz



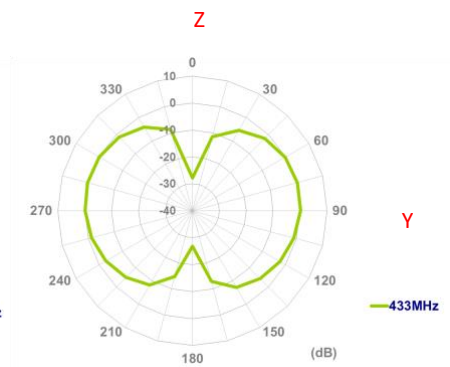
XY Plane



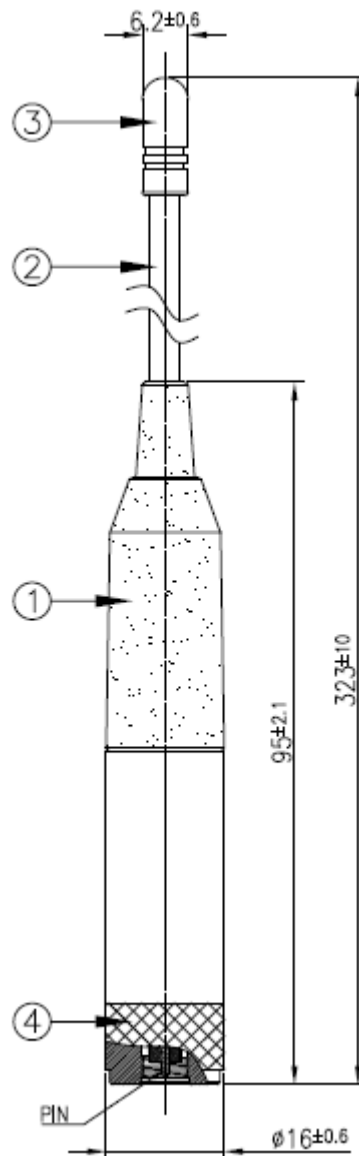
XZ Plane



YZ Plane



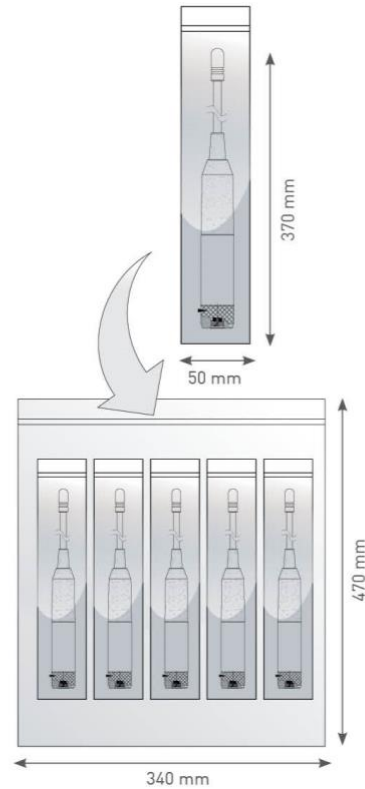
5. Mechanical Drawing (Units: mm)



	Name	Material	Finish	QTY
1	Housing	ABS	Black	1
2	Flexible Whip	Steel+PE Jacket	Black	1
3	Cap	ABS	Black	1
4	SMA(M)ST	Brass	Black	1

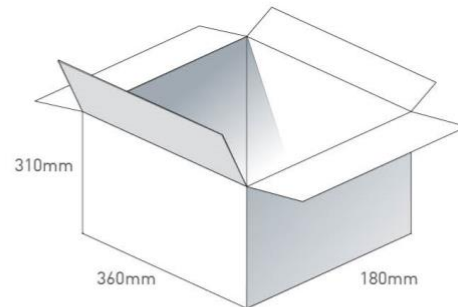
6. Packaging

1pcs FW.43.B.SMA.M per PE Bag
 Bag Dimensions - 370*50mm
 Weight - 66g

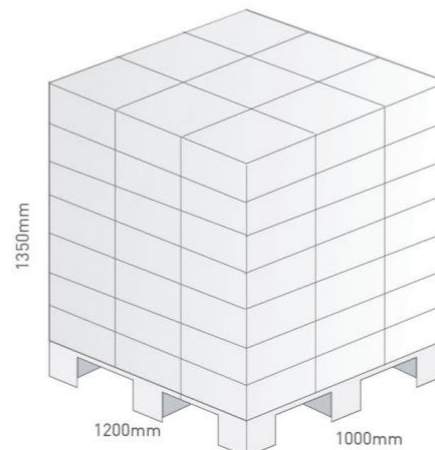


50 PE bags per Large PE Bag
 50 pcs FW.43.B.SMA.M per Large Polybag
 Large PE Bag Dimensions - 470*340mm
 Weight - 3.4Kg

5 Large PE Bags per Carton
 250 pcs FW.43.B.SMA.M per Carton
 Carton Dimensions - 360*310*180mm
 Weight - 17Kg



Pallet Dimensions:
 1200*1000*1350mm
 63 Cartons Per Pallet
 9 Cartons Per Layer
 7 Layers



Changelog for the datasheet

SPE-16-8-004 - FW.43.B.SMA.M

Revision: C	
Date:	2019-08-16
Changes:	Updated to new format
Changes Made by:	Dan Cantwell

Previous Revisions

Revision: B (Current Version)	
Date:	2017-07-01
Changes:	Reformatted specs and added disclaimer
Changes Made by:	Andy Mahoney

Revision: A (Original First Release)	
Date:	2015-12-01
Notes:	
Author:	Wayne Yang



TAOGLAS®

www.taoglas.com



X-ON Electronics

Largest Supplier of Electrical and Electronic Components

Click to view similar products for [Antennas](#) category:

Click to view products by [Taoglas](#) manufacturer:

Other Similar products are found below :

[GAN30084EU](#) [930-033-R](#) [GW17.07.0250E](#) [1513563-1](#) [EXE902SM](#) [APAMPG-117](#) [MAF94383](#) [W3908B0100](#) [W6102B0100](#) [YE572113-30RSMM](#) [108-00014-50](#) [66089-2406](#) [SPDA17RP918](#) [A09-F8NF-M](#) [A09-F5NF-M](#) [RGFRA1903041A1T](#) [W3593B0100](#) [W3921B0100](#) [SIMNA-868](#) [SIMNA-915](#) [SIMNA-433](#) [W1044](#) [W1049B090](#) [A75-001](#) [WTL2449CQ1-FRSMM](#) [CPL9C](#) [EXB148BN](#) [0600-00060](#) [TRA9020S3PBN-001](#) [Y4503](#) [GD5W-28P-NF](#) [MA9-7N](#) [GD53-25](#) [GD5W-21P-NF](#) [C37](#) [MAF94051](#) [MA9-5N](#) [EXD420PL](#) [B1322NR](#) [QWFTB120](#) [MAF94271](#) [MAF94300](#) [GPSMB301](#) [FG4403](#) [AO-AGSM-OM54](#) [5200232](#) [MIKROE-2349](#) [WCM.01.0111](#) [MIKROE-2393](#) [MIKROE-2352](#)