

SPECIFICATION

Part No.	:	GW.15.2113
Product Name	:	2.4GHz 2dBi Screw mount Dipole Antenna
Description	:	SMA Male Straight Connector Hinged TPU Housing IP65 at SMA Connector Length 108.5mm ROHS Compliant



1. Introduction

The GW.15 2.4 GHz dipole SMA plug mount antenna is ideal for 2.4 GHz wireless applications such as Bluetooth and Wireless LAN. At only 108mm in length omni-directional 2dBi gain across all bands ensures constant reception and transmission. The antenna structure is designed for robust handling and the housing is made with TPU giving superior environmental reliability and a quality finish. The antenna can be rotated 90 degrees on the base hinge for ease of placement.

Many module manufacturers specify peak gain requirements for any antennas that is to be connected to that module. Upon testing of any of our antenna with your device and a selection of appropriate layout, integration technique, or cable, Taoglas can make sure any of our antennas peak gain will be below the peak gain requirements. Taoglas can then issue a specification and/or report for this selected WiFi antennas in your device that will clearly show it complying with the peak gain requirements, so you can be assured you are meeting regulatory requirements for that module.

It is better not to select an embedded antenna with very low free-space peak gain (<2dBi) directly, as this antenna would have worse performance in your device, and lead to compromised performance compared to using a Taoglas antenna.

2. Electrical Properties

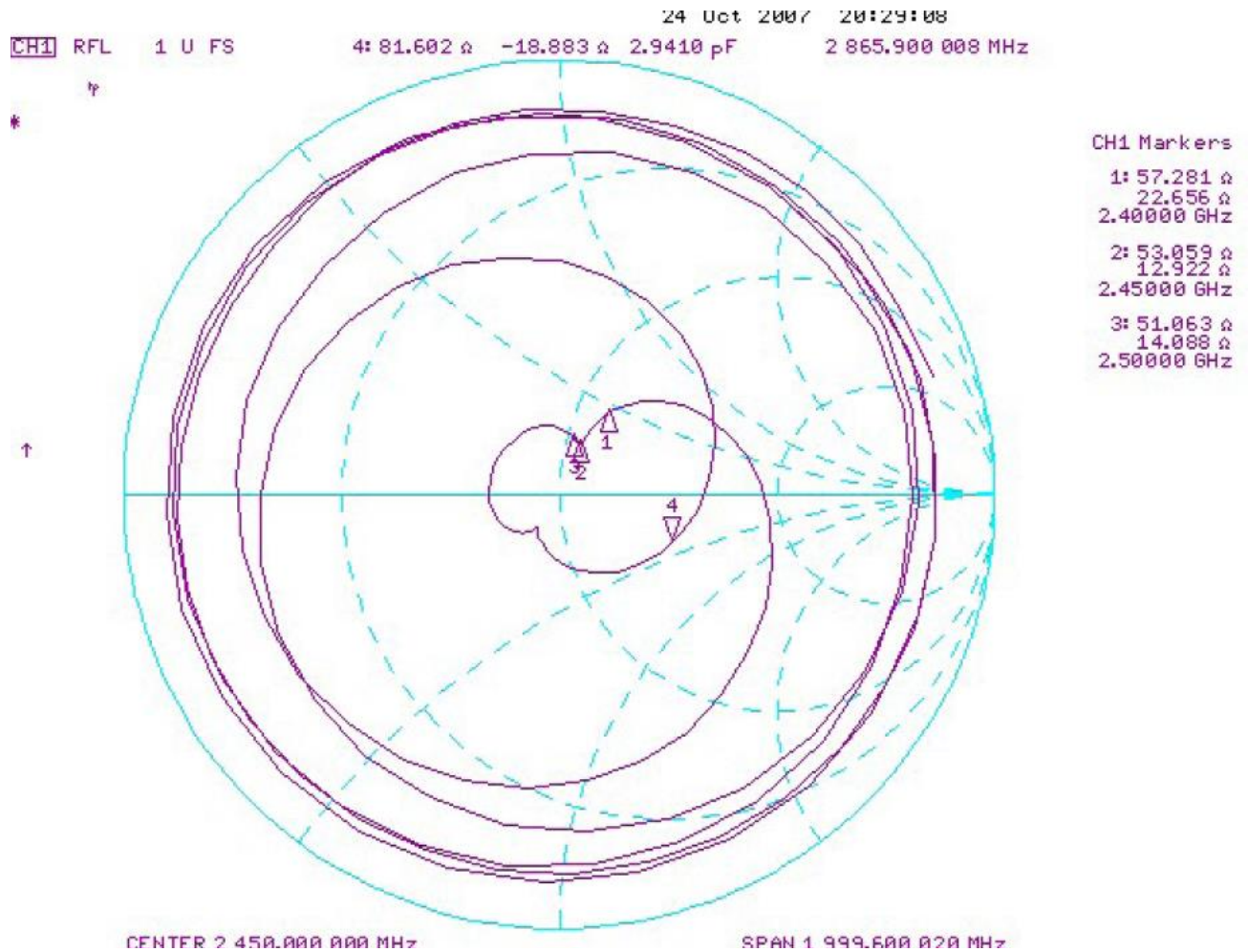
2.1	Frequency	2.4 GHz ~ 2.5 GHz
2.2	Gain (peak)	2 dBi
2.3	V.S.W.R	1.8 Max
2.4	Return Loss	- 10 dB Maximum
2.5	Radiation	Omni-directional
2.6	Polarization	Linear Vertical
2.7	Power Handling	1W

3. Mechanical Properties

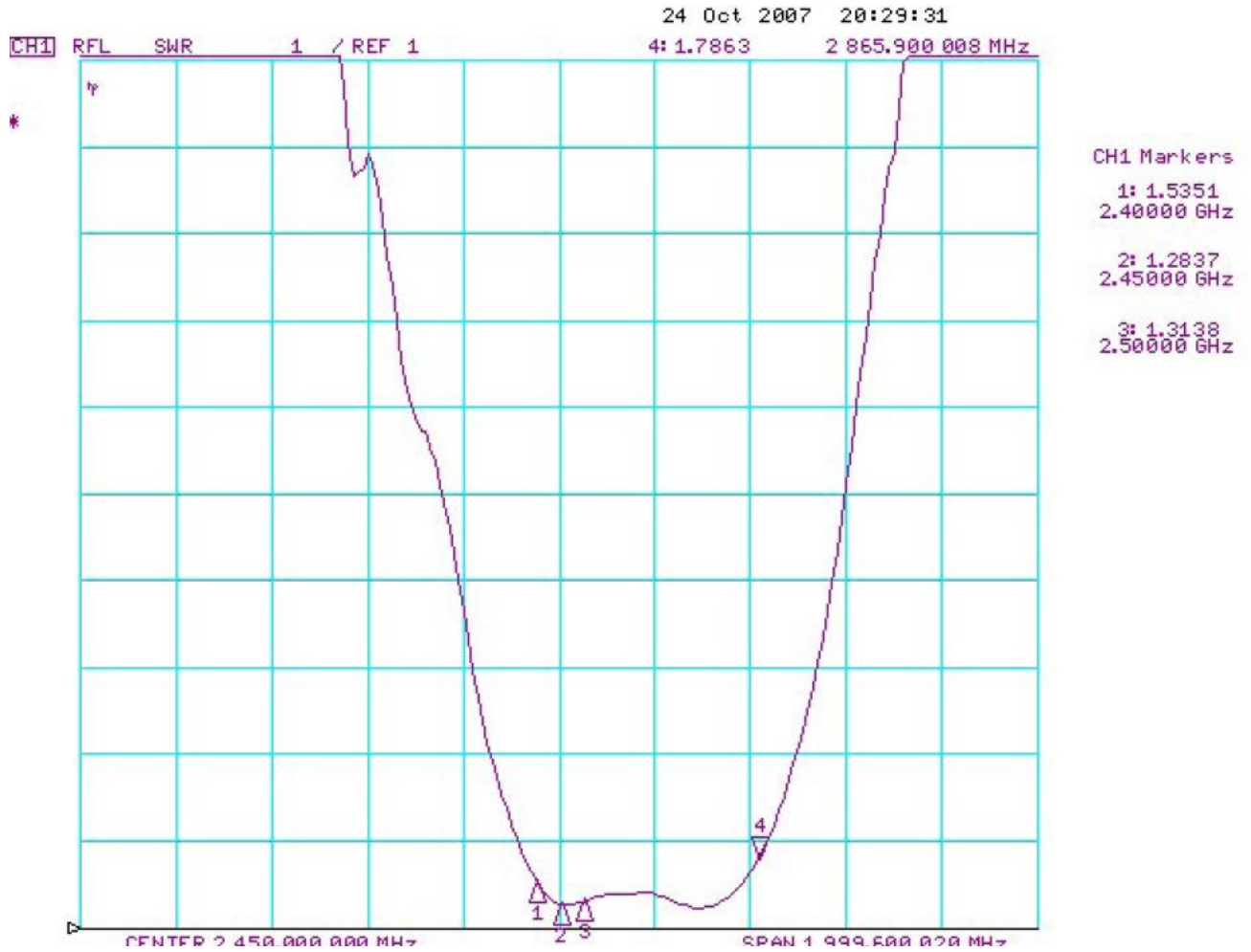
3.1	Cable	RG-178 Coaxial Cable
3.2	Antenna Cover	TPE
3.3	Antenna Base	Nylon
3.4	Operating Temperature	-40°C ~ + 85°C
3.5	Storage Temperature	-30°C ~ + 90°C
3.6	Color	Black
3.7	Connector	SMA Plug Male
3.8	IP rating	IP65 at SMA Connector

4. Measurements

4.1 Smith Chart



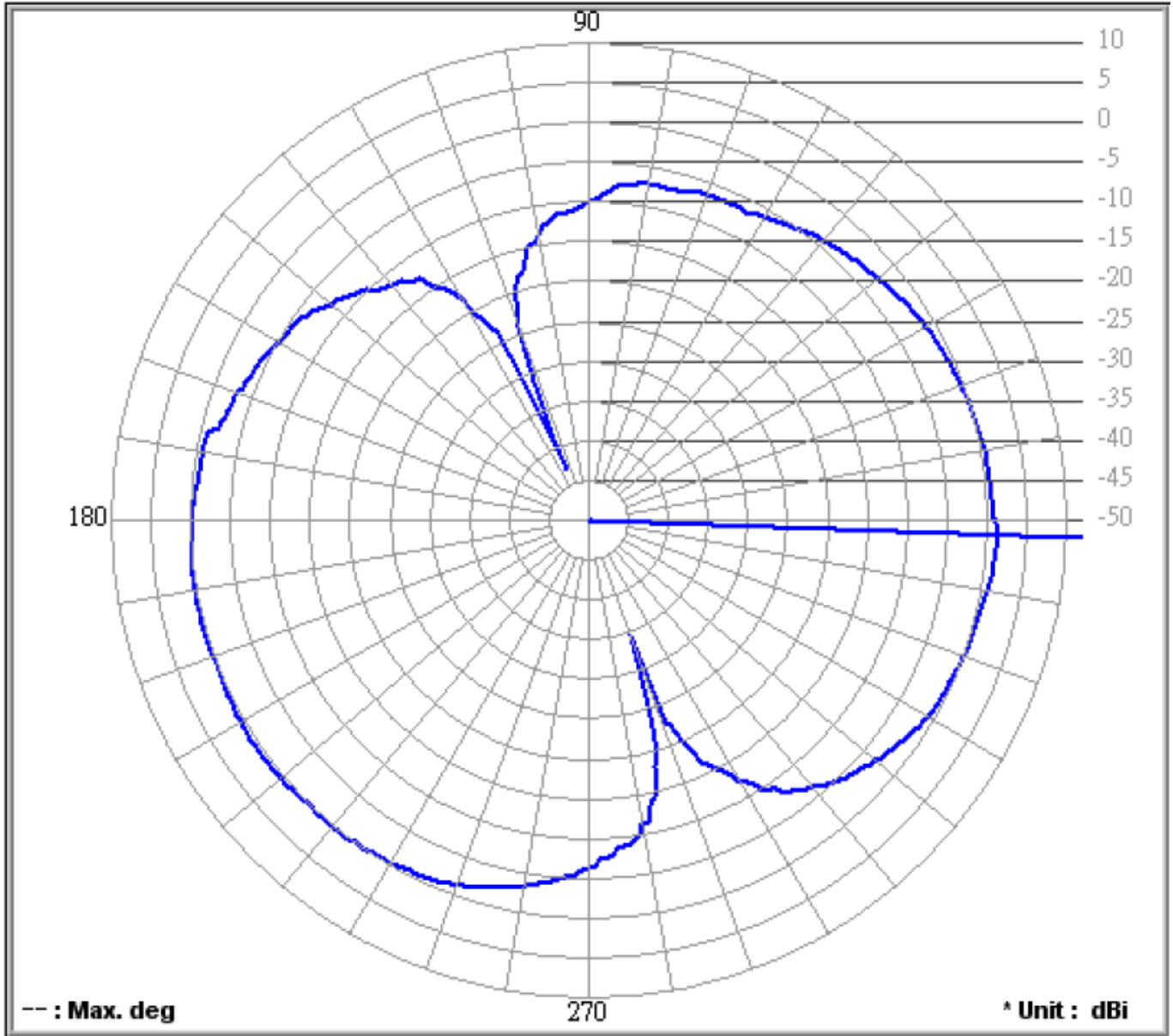
4.2 VSWR



4.3 Return Loss

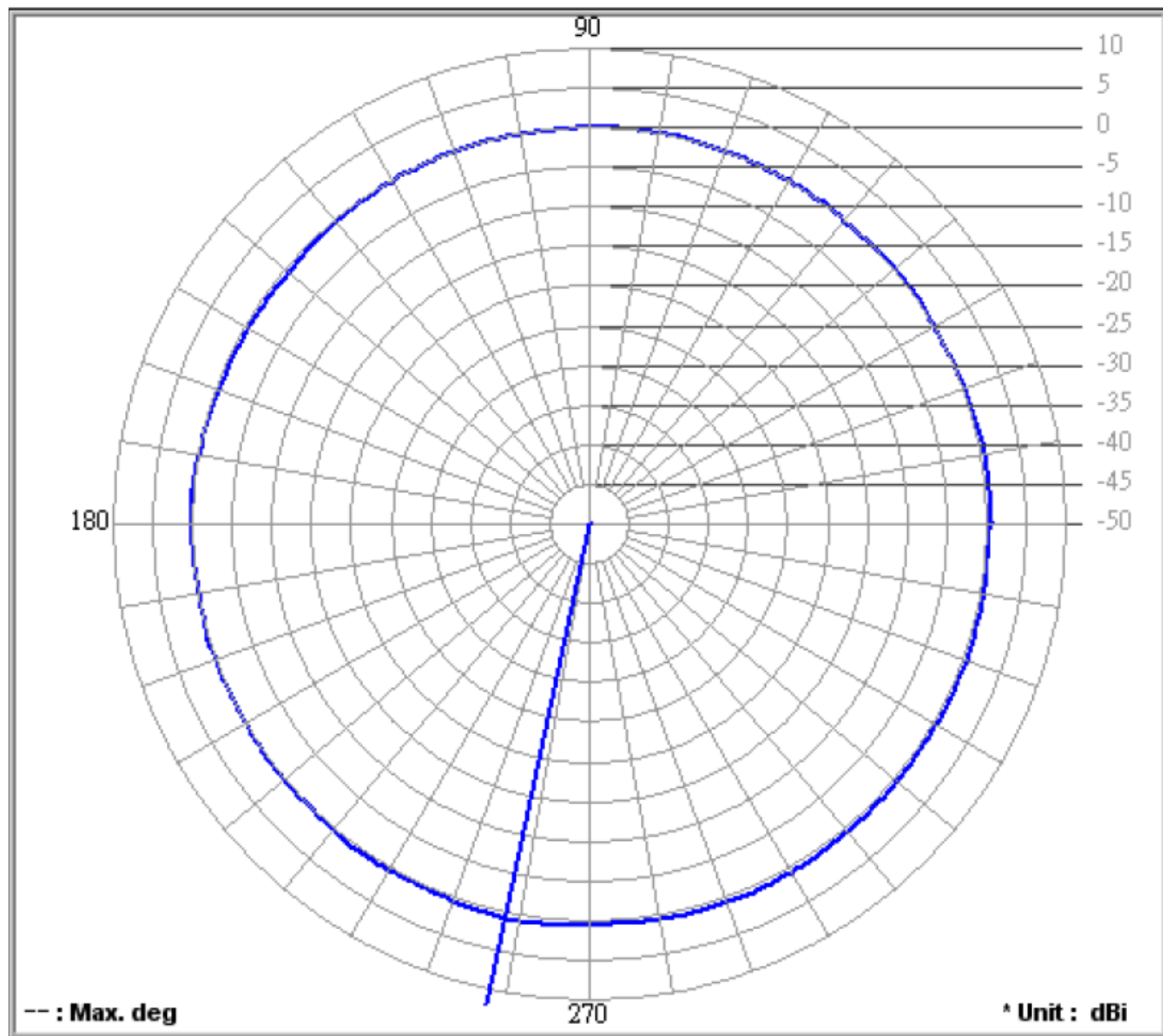


4.5 Far-field Amplitude - Horizontal Plane 2.45GHz



Frequency (MHz) : 2450.00	Antenna Polarity : Vertical	Average Value (dB) : -2.46
Maximum Value (dB) : 1.43	Maximum Value (degree) : 358	
Minimum Value (dB) : -42.89	Minimum Value (degree) : 114	

4.9 Far-field Amplitude - Vertical Plane 2.5GHz



Frequency (MHz) : **2500.00**

Antenna Polarity : **Vertical**

Average Value (dB) : **0.23**

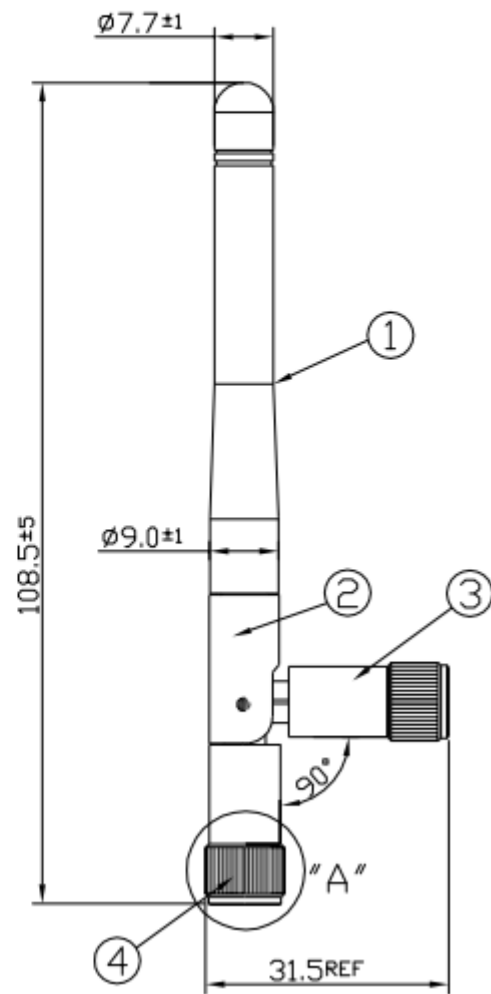
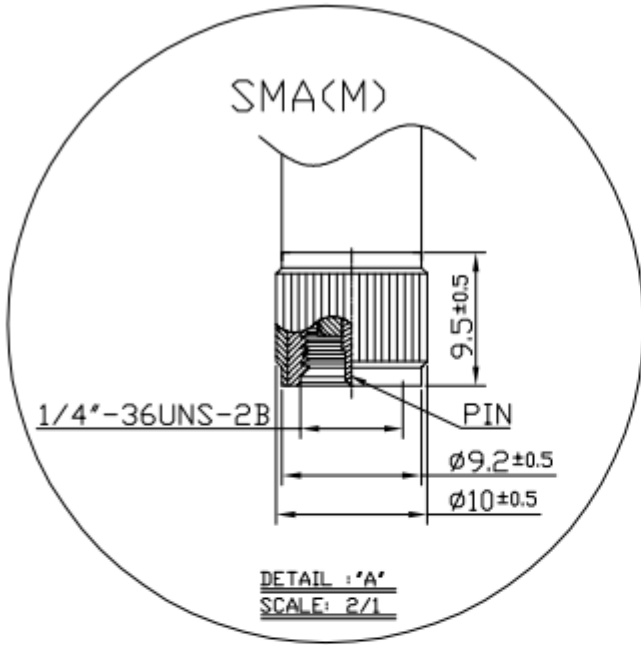
Maximum Value (dB) : **0.85**

Maximum Value (degree) : **258**

Minimum Value (dB) : **-0.59**

Minimum Value (degree) : **143**

5. Drawing



1	GW.15 Housing	TPU (Black)
2	GW.15 Base I	Nylon(Black)
3	GW.15 Base II	Nylon(Black)
4	Connector	SMA Straight Plug

X-ON Electronics

Largest Supplier of Electrical and Electronic Components

Click to view similar products for [Antennas](#) category:

Click to view products by [Taoglas](#) manufacturer:

Other Similar products are found below :

[GAN30084EU](#) [930-033-R](#) [GW17.07.0250E](#) [1513563-1](#) [EXE902SM](#) [APAMPG-117](#) [MAF94383](#) [W3908B0100](#) [W6102B0100](#) [YE572113-30RSMM](#) [108-00014-50](#) [66089-2406](#) [SPDA17RP918](#) [A09-F8NF-M](#) [A09-F5NF-M](#) [RGFRA1903041A1T](#) [W3593B0100](#) [W3921B0100](#) [SIMNA-868](#) [SIMNA-915](#) [SIMNA-433](#) [W1044](#) [W1049B090](#) [A75-001](#) [WTL2449CQ1-FRSMM](#) [CPL9C](#) [EXB148BN](#) [0600-00060](#) [TRA9020S3PBN-001](#) [Y4503](#) [GD5W-28P-NF](#) [MA9-7N](#) [GD53-25](#) [GD5W-21P-NF](#) [C37](#) [MAF94051](#) [MA9-5N](#) [EXD420PL](#) [B1322NR](#) [QWFTB120](#) [MAF94271](#) [MAF94300](#) [GPSMB301](#) [FG4403](#) [AO-AGSM-OM54](#) [5200232](#) [MIKROE-2349](#) [WCM.01.0111](#) [MIKROE-2393](#) [MIKROE-2352](#)