



# TAOGLAS®



# Datasheet

**Part No:**  
MB.A.MX2

**Description**

Screw Mount Bracket for MagmaX AA.200 Series

**Features:**

Screw Mount

Hole Dimensions:  $\varnothing$ 5.05mm

Dimensions: 102 x 74 x 23mm

RoHS & REACH Compliant

<b>1.</b>	<b>Introduction</b>	<b>2</b>
<b>2.</b>	<b>Specification</b>	<b>3</b>
<b>3.</b>	<b>Mechanical Drawing</b>	<b>4</b>
<b>4.</b>	<b>Packaging</b>	<b>5</b>

---

Taoglas makes no warranties based on the accuracy or completeness of the contents of this document and reserves the right to make changes to specifications and product descriptions at any time without notice. Taoglas reserves all rights to this document and the information contained herein. Reproduction, use or disclosure to third parties without express permission is strictly prohibited.



# 1. Introduction



The Taoglas MB.A.MX2 is a robust screw mount bracket, designed for secure installation of the MagmaX AA.200 Series where a bracket is the preferred method of mounting the antenna. The MagmaX AA.200 Series, can be used with this bracket allowing it to be mounted on surfaces where a permanent through hole mount is needed.

Configurations are available to suit your mounting requirements:

- Screw Mount

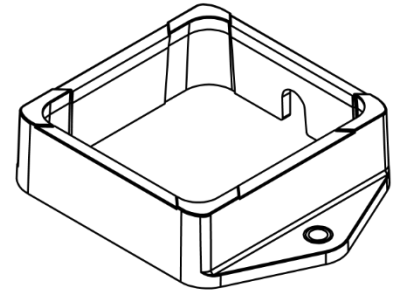
Contact your regional Taoglas customer support team for further information. This bracket is fully compatible with all of our standard [MagmaX AA.200](#).

## 2. Specification

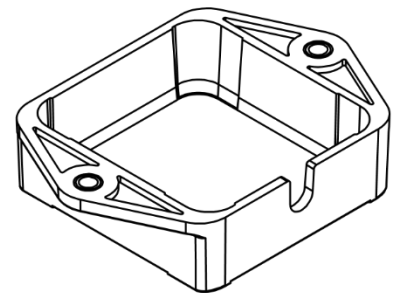
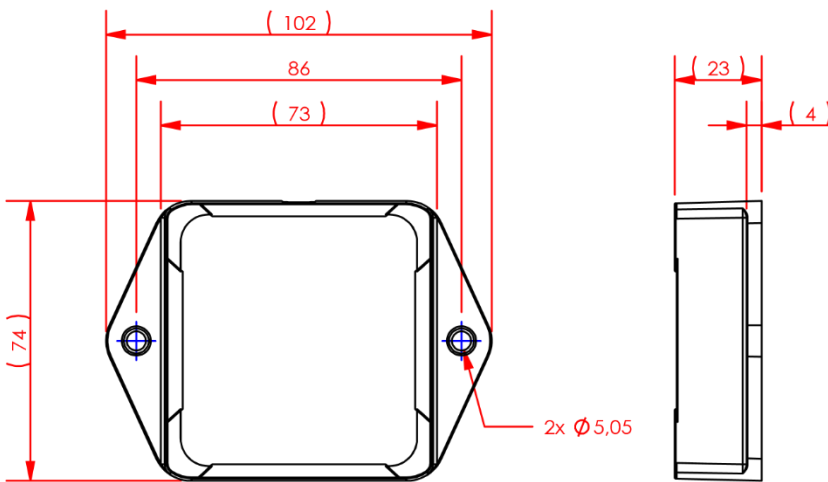
<b>Mechanical</b>	
Dimensions	102 x 74 x 23mm
Material	ABS PC/Nickel Plated Brass
Bracket weight	26g
<b>Environmental</b>	
Operation Temperature	-40°C ~ +85°C
Storage Temperature	-40°C ~ +90°C

### 3. Mechanical Drawing

ISO NO.: EDW-23-8-0249  
 STATE: RELEASE  
 NOTES: 1.ALL MATERIAL MUST BE ROHS COMPLIANT.



MODEL VIEW



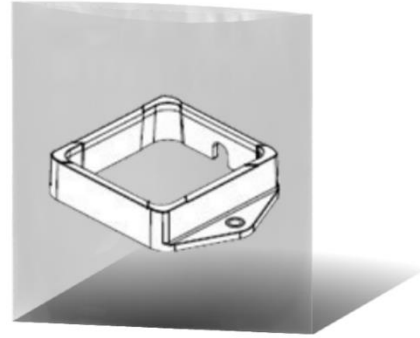
MODEL VIEW

ITEM NO.	DESCRIPTION	QTY
1	AA.200 (NOT INCLUDED)	1
2	AA2xx Series Bracket Plastic	1

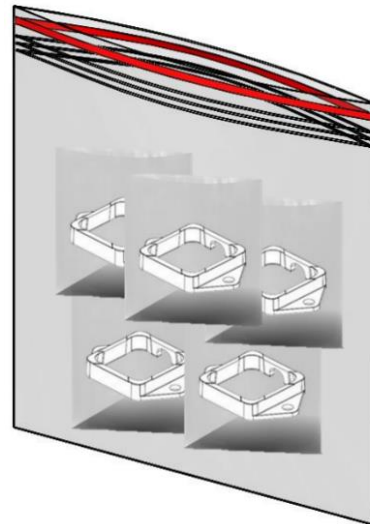
INSTALLATION INSTRUCTIONS

## 4. Packaging

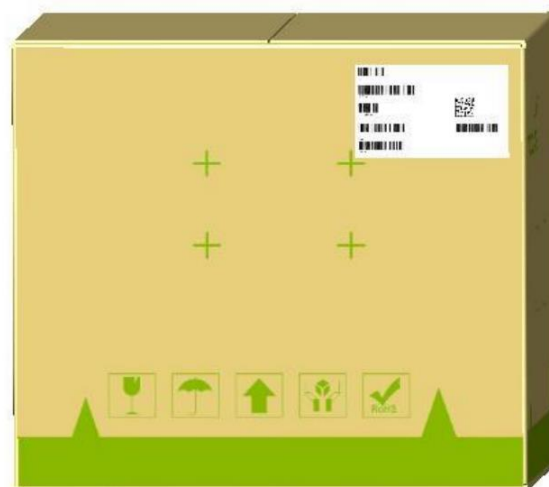
MB.A.MX2  
1 pcs / Small PE Bag



21 pcs/ Zipper bag



240 pcs/ per carton  
Dimensions – 370x370x300 mm  
Weight – 5.5 Kg



Changelog for the datasheet

**SPE-23-8-270– MB.A.MX2**

**Revision: A (Initial Release)**

Date:	2023-09-14
Changes:	Initial Release
Changes Made by:	Cesar Sousa

**Previous Revisions**




[www.taoglas.com](http://www.taoglas.com)





## X-ON Electronics

Largest Supplier of Electrical and Electronic Components

*Click to view similar products for [Antenna Accessories](#) category:*

*Click to view products by [Taoglas](#) manufacturer:*

Other Similar products are found below :

[HKIT-MTA9101-001](#) [YMST4](#) [NMOHPCN518](#) [MB830](#) [MB825](#) [MB820](#) [GRO](#) [W9909](#) [HKIT-MTA9100-001](#) [HKIT-LPx-001](#) [GPS-17519](#)  
[MABT8M](#) [KH-IPEX3-0.81](#) [HJ-IPEX1-1.13-SMA-L=100mm](#) [3C0224M01-003](#) [KHA\(RG1.37\)-TX300B-IPEX](#) [KHA\(RG1.37\)-TX80B-IPEX](#)  
[KHA\(RG1.37\)-TX140B-IPEX](#) [KH-IPEXA-SMAKWE-B060H](#) [KHA\(RG1.37\)-TX90B-IPEX](#) [KH-IPEX-SMA-RG137-120MM](#) [KH-SMAKW-](#)  
[IPEX4-RG1.13-B300](#) [KH-SMAKW-IPEX4-RG0.81-B90](#) [KH-SMAKW-IPEX4-RG1.37-B80](#) [KH-SMAKW-IPEX4-RG1.37-B160](#) [KH-](#)  
[SMAKW-IPEX-RG0.81-B70](#) [KH-SMAKW-IPEX-RG0.81-B140](#) [KHA-\(RG1.13\)-TX120-IPEX-221](#) [KHA\(RG1.37\)-TX70B-IPEX](#) [KH-](#)  
[SMAKW-IPEX-RG1.78-250](#) [KH-SMAKW-IPEX4-RG0.81-B200](#) [KH-SMAKW-IPEX4-RG1.13-B70](#) [KH-SMAKW-IPEX4-RG1.37-B90](#) [KH-](#)  
[SMAJ-221-RG1.78-160](#) [KH-SMAJ-IPEX-RG1.37-B70](#) [KH-SMAJ-IPEX-RG1.37-B60](#) [KH-FL2SMAK-IPEX3-RG0.81-B160](#) [KH-FL2SMAK-](#)  
[IPEX4-RG0.81-B100](#) [KH-FL2SMAK-IPEX-RG1.13-B70](#) [KH-FL2SMAK-IPEX4-RG1.13-B90](#) [KH-FL2SMAK-IPEX-RG1.37-B60](#) [KH-](#)  
[FL2SMAK-IPEX-RG1.37-B120](#) [KH-FL2SMAK-IPEX4-RG1.37-B80](#) [KH-FL2SMAK-IPEX4-RG1.37-B160](#) [KH-FL2SMAK-IPEX-RG178-](#)  
[100](#) [KH-FL2SMAK-IPEX-RG178-200](#) [KH-SMAJ-221-RG1.13-B70](#) [KH-SMAJ-221-RG1.37-B90](#) [KH-FL2SMAK-IPEX-RG0.81-B50](#) [KH-](#)  
[FL2SMAK-IPEX3-RG0.81-B300](#)