

## SPECIFICATION

Part No. : **PC23.09.0100A**

Product Name : **Internal Circular PCB Antenna**  
AMPS/GSM/PCS/DCS Cellular PCB Antenna  
100mm 1.13 MMCX(M)RA

Features : Diameter 42mm\*Height 1.6mm

Photo:



## 1. Introduction

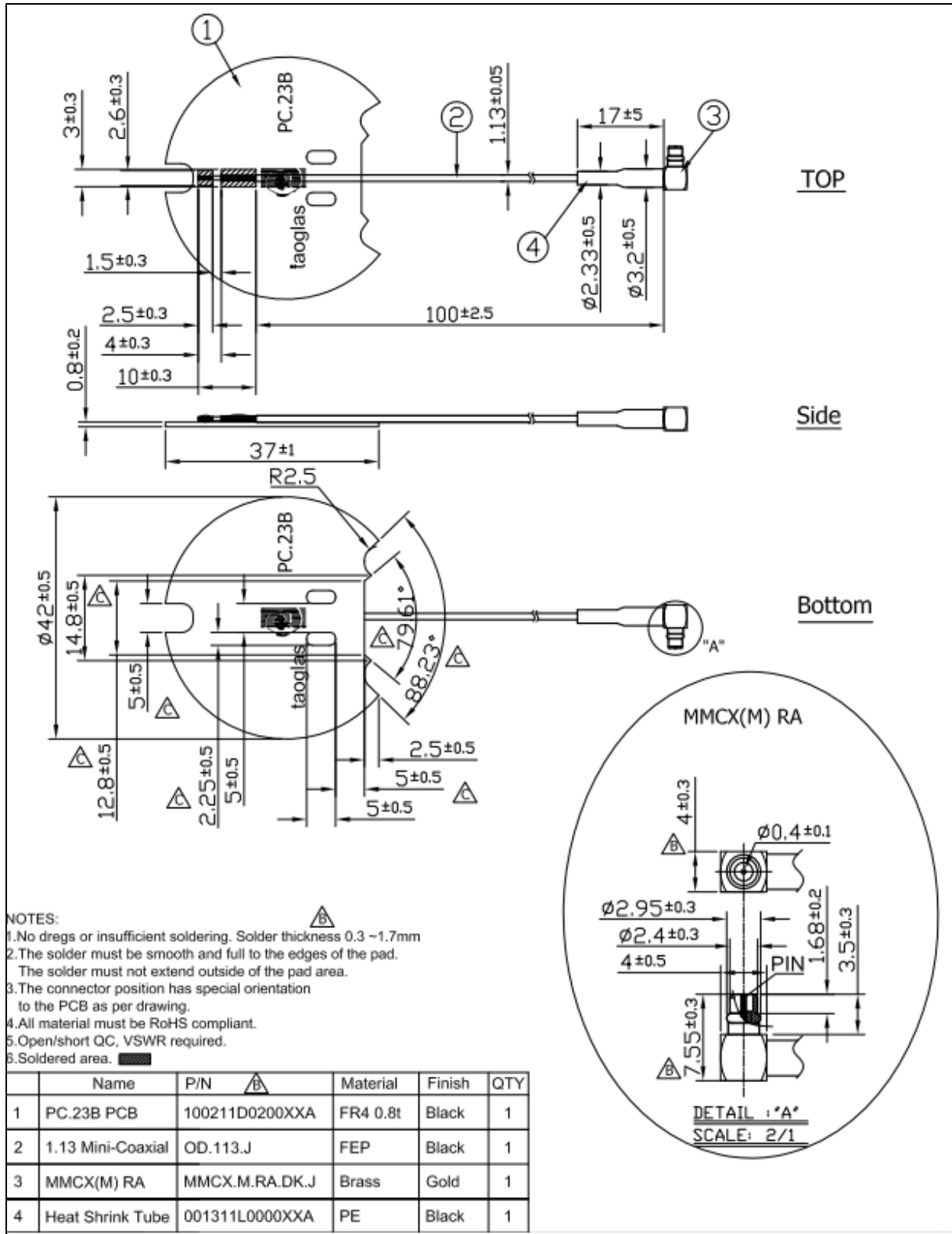
The PC23 Internal PCB Antenna is a circular Quad-band GSM antenna for incorporation antennas and transceiver modules worldwide. Omni-directional high gain across all bands ensures constant reception and transmission. Cables and connectors are fully customizable.

## 2. Typical Antenna Performance in free space

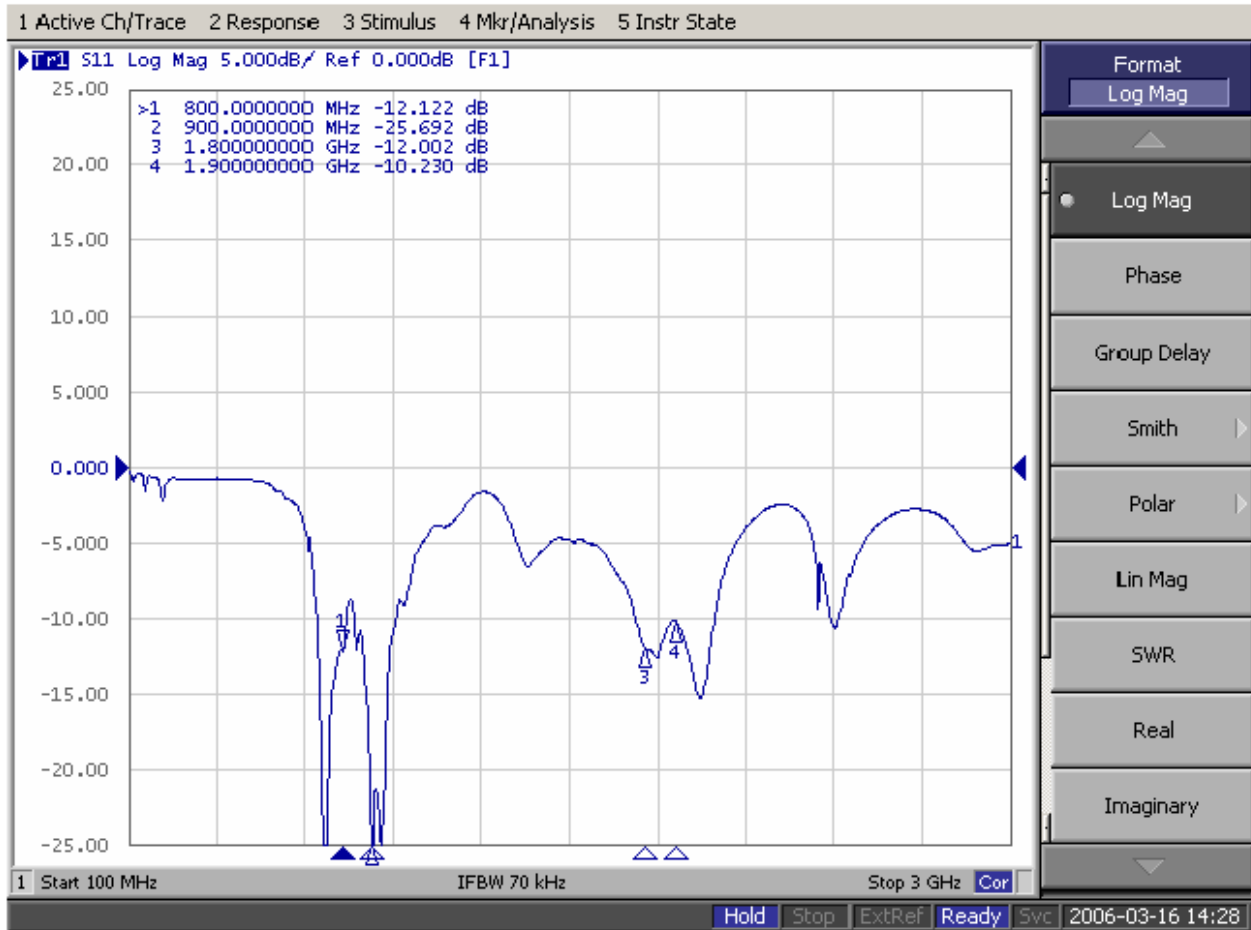
<b>Specifications</b>				
<b>ELECTRICAL</b>				
	<b>AMPS</b>	<b>GSM</b>	<b>PCS</b>	<b>DCS</b>
Band	824-896	880-960	1850-1990	1710-1880
Return Loss	-12 dB	-25 dB	-12 dB	-10 dB
Gain	Average 0 dBi			
Polarization	Linear			
Impedance	50 ohms			
Input Power	10 watts			
Input Connection	Coaxial Cable - RG174 Standard, Fully customizable			
VSWR (Min performance)	<2.0:1			

**\*note: specifications may be subject to change**

### 3. Outline Drawing

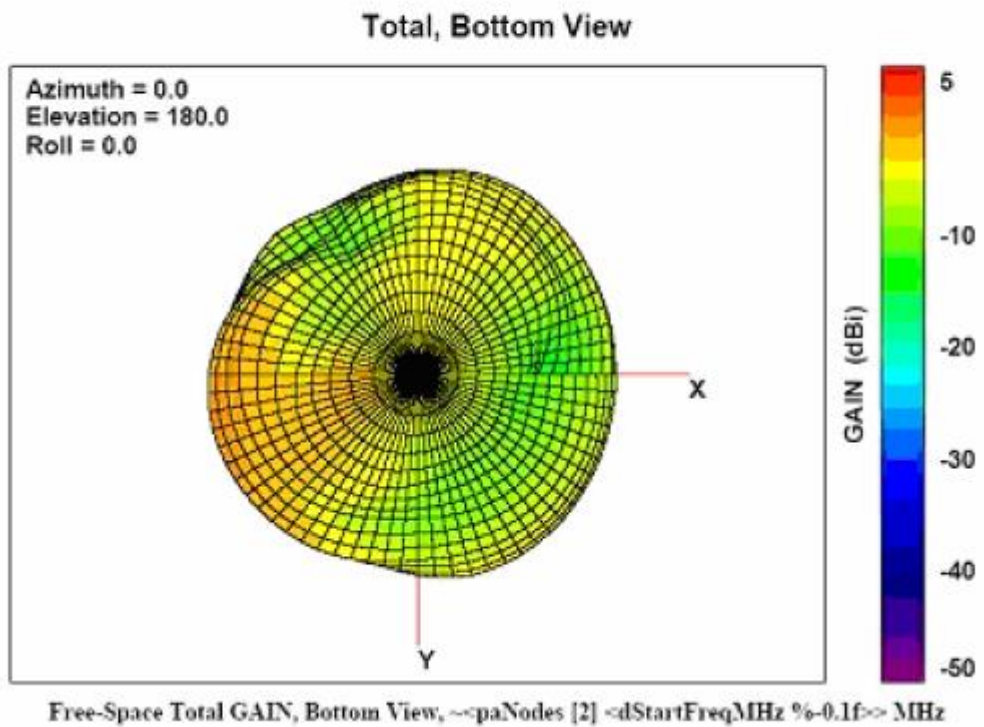


## 4. S11 Magnitude

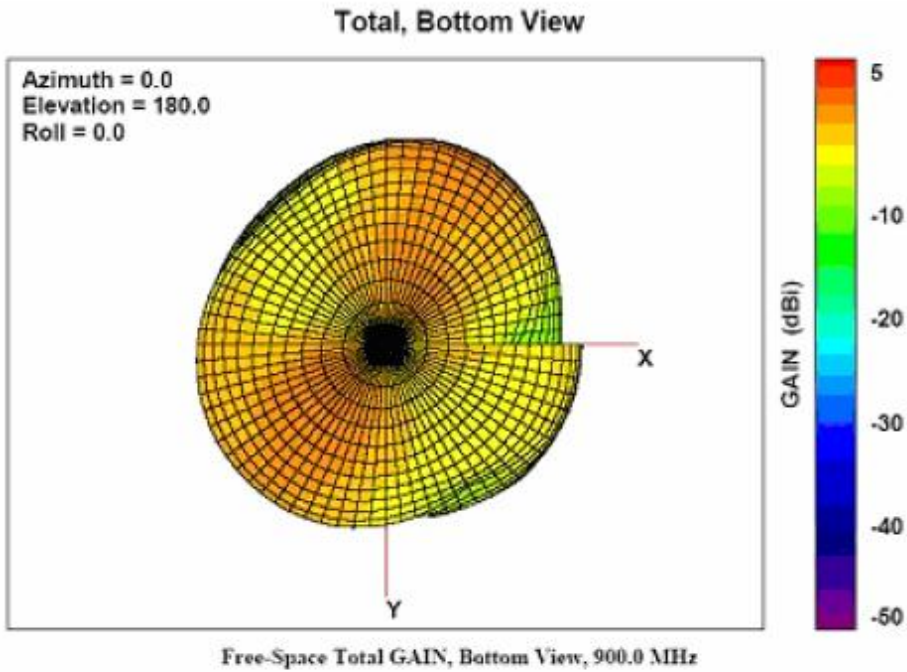


## 5. Radiation Patterns

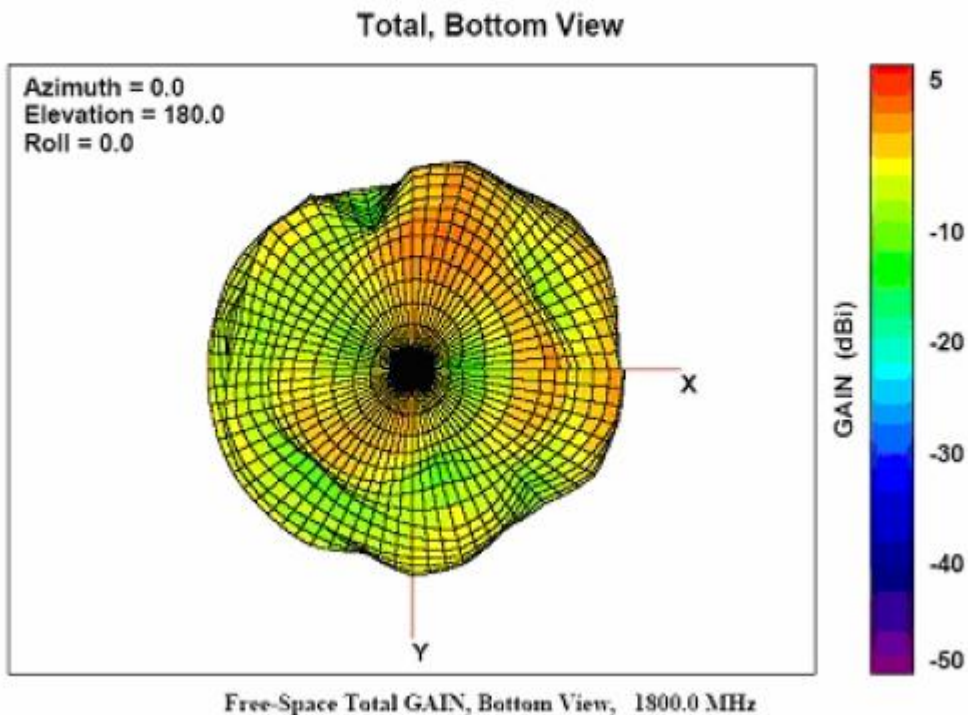
### 800 MHz – 3D Radiation Pattern



## 900 MHz – 3D Radiation Pattern

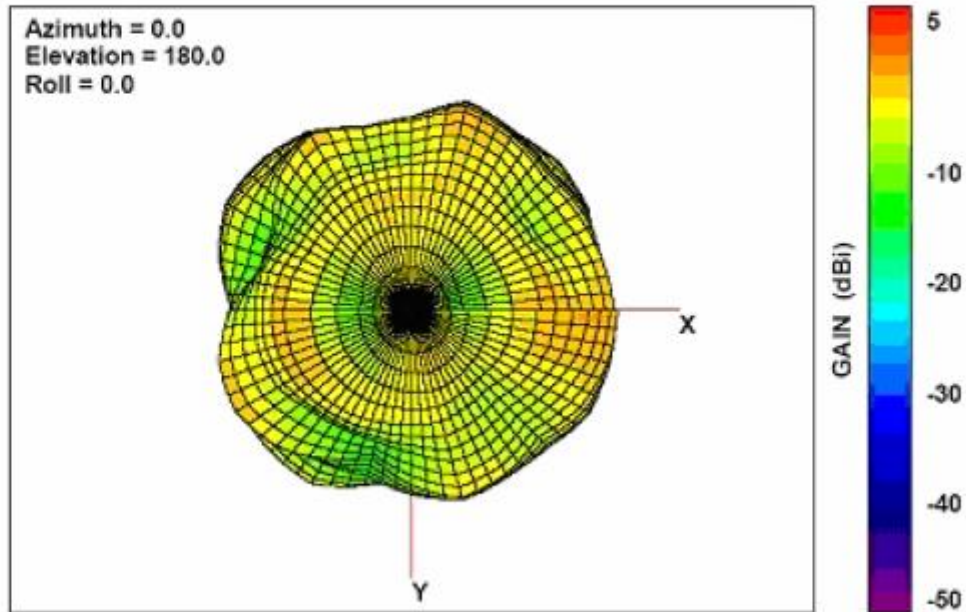


## 1800 MHz – 3D Radiation Pattern



## 1900 MHz – 3D Radiation Pattern

Total, Bottom View



Free-Space Total GAIN, Bottom View, 1900.0 MHz

## X-ON Electronics

Largest Supplier of Electrical and Electronic Components

*Click to view similar products for [Antennas](#) category:*

*Click to view products by [Taoglas](#) manufacturer:*

Other Similar products are found below :

[GAN30084EU](#) [930-033-R](#) [GW17.07.0250E](#) [1513563-1](#) [EXE902SM](#) [APAMPG-117](#) [MAF94383](#) [W3908B0100](#) [W6102B0100](#) [YE572113-30RSMM](#) [108-00014-50](#) [66089-2406](#) [SPDA17RP918](#) [A09-F8NF-M](#) [A09-F5NF-M](#) [RGFRA1903041A1T](#) [W3593B0100](#) [W3921B0100](#) [SIMNA-868](#) [SIMNA-915](#) [SIMNA-433](#) [W1044](#) [W1049B090](#) [A75-001](#) [WTL2449CQ1-FRSMM](#) [CPL9C](#) [EXB148BN](#) [0600-00060](#) [TRA9020S3PBN-001](#) [Y4503](#) [GD5W-28P-NF](#) [MA9-7N](#) [GD53-25](#) [GD5W-21P-NF](#) [C37](#) [MAF94051](#) [MA9-5N](#) [EXD420PL](#) [B1322NR](#) [QWFTB120](#) [MAF94271](#) [MAF94300](#) [GPSMB301](#) [FG4403](#) [AO-AGSM-OM54](#) [5200232](#) [MIKROE-2349](#) [WCM.01.0111](#) [MIKROE-2393](#) [MIKROE-2352](#)